

## QUICK START GUIDE

---

LPH3061A

# INDUSTRIAL POE SWITCH

---

24/7 TECHNICAL SUPPORT AT 877.877.2269 OR VISIT [BLACKBOX.COM](http://BLACKBOX.COM)



# STEP 1 - Package Includes

---

## WHAT'S INCLUDED

- (1) LPH3061A INDUSTRIAL SWITCH
- (2) WALLMOUNTING BRACKETS  
WITH SCREWS
- (1) DIN RAIL MOUNTING BRACKET  
WITH SCREWS
- THIS QUICK START GUIDE

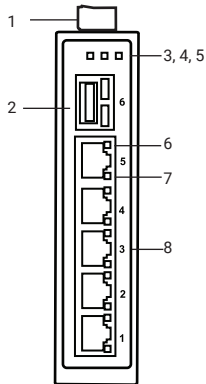


## STEP 2 - LPH3061A Hardware Overview

---

TABLE 1. LPH3061A COMPONENTS

NUMBER	DESCRIPTION
1	6-pin terminal block for power
2	SFP cage
3	Power 1 LED
4	Power 2 LED
5	Power Fail LED
6	Link/Activity LED
7	Speed LED
8	(5) RJ-45 connectors



## STEP 2 - Install the SFP

---

Choose a compatible SFP from Table 2 and snap it into place in the SFP cage on the switch.

**NOTE: The SFPs are ordered separately.**

**TABLE 2. COMPATIBLE SFPs**

PRODUCT CODE	DESCRIPTION
LFP401	SFP/155 Ext. Diag., MM 2-km, LC
LFP402	SFP/155 Ext. Diag., MM 2-km, LC
LFP403	SFP/155 Ext. Diag., SM 30-km, LC
LFP404	SFP/155 Ext. Diag., SM 60-km, LC
LFP411	SFP/1250 Ext. Diag., MM 550-m, LC
LFP412	SFP/1250 Ext. Diag., MM 2-km, LC
LFP413	SFP/1250 Ext. Diag., SM 20-km, LC
LFP414	SFP/1250 Ext. Diag., SM 30-km, LC
LFP418	SFP/1250 Ext. Diag., SM 80-km, LC
LFP420	SFP/1250 Ext. Diag., SM 10-km, LC
LFP421	SFP/1250 Ext. Diag., SM 10-km, LC



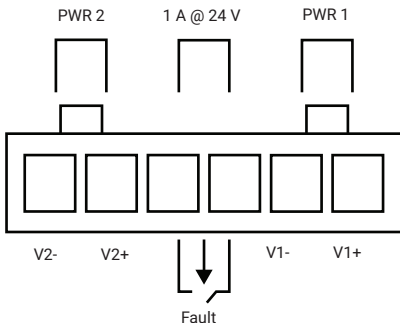
## STEP 3 - Connect the Power

---

### POWER CONNECTION STEPS

The LPH3061A switch supports dual 48 VDC power inputs and changes relay status when the power fails.

1. Insert the positive and negative wires into the V+ and V- contacts on the terminal block connector.
2. Tighten the wire clamp screws to prevent the DC wires from loosening.

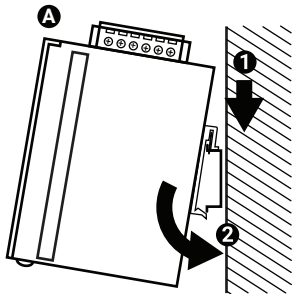


## STEP 4A - DIN Rail Mounting

---

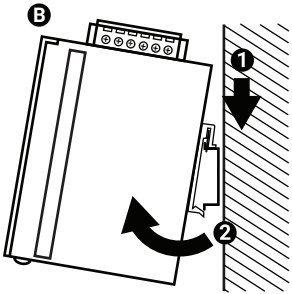
### INSTALLING THE DIN RAIL KIT

Attach the DIN rail bracket to the DIN rail using the included screws. See Figure A.



### REMOVING THE DIN RAIL KIT

1. Remove the screws from the DIN rail.
  2. Lift the switch up and off from the DIN rail.
- See Figure B.

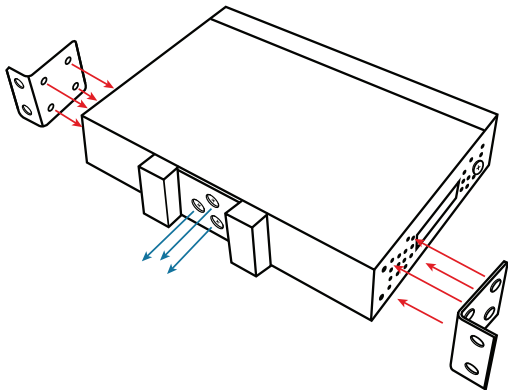


## STEP 4B - Wallmounting

---

### WALLMOUNTING STEPS

1. Using the included screws, attach the wallmount brackets to the switch.
2. With the brackets attached, hang the switch on the nails on the wall.



**NEED HELP?  
LEAVE THE TECH TO US**

---

**LIVE 24/7  
TECHNICAL  
SUPPORT**

---

**1.877.877.2269**