

Product Data Sheet

4K DisplayPort over HDBaseT Extender



Overview

The UVX-DP-TP-100M is a 4K DisplayPort over HDBaseT Extender with USB 2.0 and audio passthrough. It distributes uncompressed 4K @30 Hz UHD video, audio, power, RS-232, and USB 2.0 together up to 330 feet (100 m) over a single CAT6a/7 cable. The extender has a transmitter unit and a receiver unit.

Basic Features

- Via CAT6a/7 cables, the extenders support 4K @30 Hz up to 330 feet (100 meters) and 1080p @60 Hz up to 330 feet (100 meters).
- Via CAT5e/6 cables, the extenders support 4K x 2K @30 Hz output up to 224 feet (70 meters).
- Supports DisplayPort 1.2 up to 4K @30 Hz.
- Provides USB 2.0 passthrough over HDBaseT, with USB-DEVICE built-in RX.
- Supports bidirectional stereo line audio passthrough over HDBaseT.
- Provides RS-232 and EDID passthrough over HDBaseT
- All connectors are on one side of each unit for easy installation.

Ordering Information

Item

4K DisplayPort over HDBaseT Extender with USB 2.0
Includes a Transmitter unit and a Receiver unit.

Code

UVX-DP-TP-100M

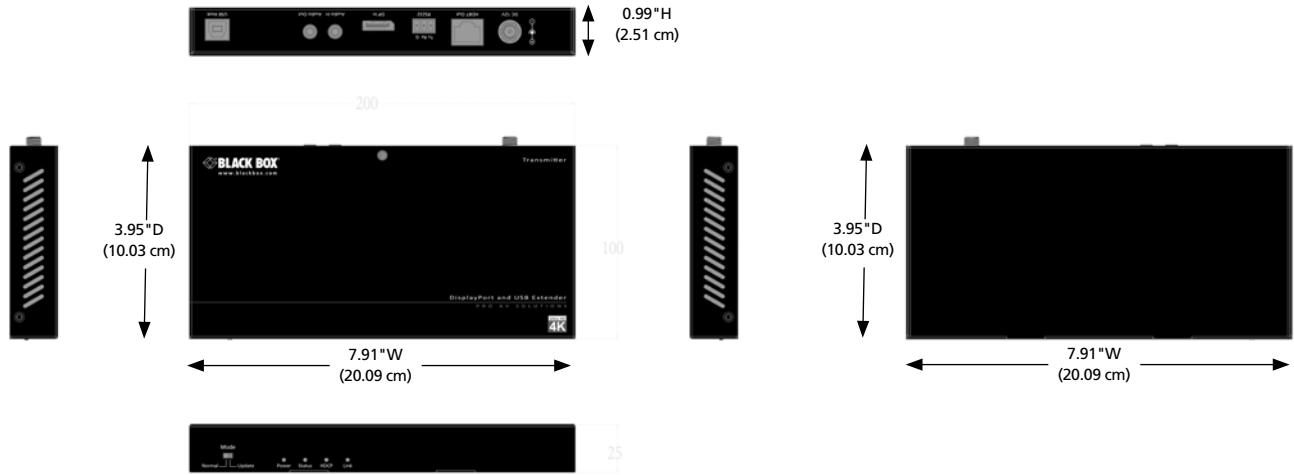
4K DisplayPort over HDBaseT Extender Data Sheet

Specifications

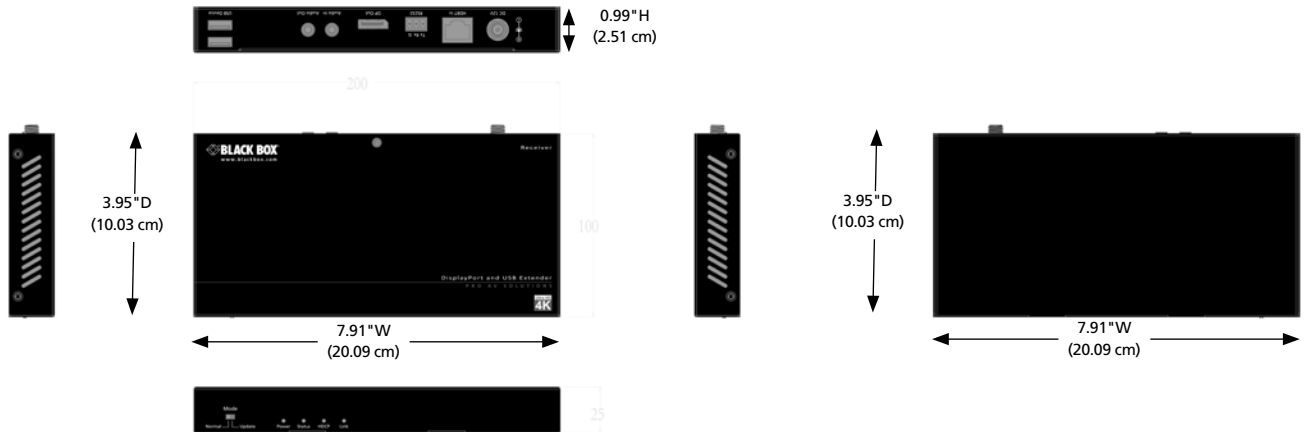
Transmitter	
Connectors	(1) 12-VDC barrel connector, (1) HDBaseT OUT, (1) 3-pin Phoenix connector, (1) DisplayPort IN, (1) Audio IN, (1) Audio OUT, (1) USB Type B host connector
Input Resolution Support	Up to 3840 x 2160 @30 Hz (UHD)
Maximum Data Rate	10.2 Gbps
Maximum Distance	Via CAT6a/7 cables: Up to 328 feet (100 m) at 3840 x 2160 @30 Hz, 4:2:0, or 1080p @60 Hz output resolution; Via CAT5e/6 cables: Up to 224 feet (70 m) at 3840 x 2160 @30 Hz; Up to 328 feet (100 m) at 1080p @30 Hz resolution
Receiver	
Connectors	(1) 12-VDC barrel connector, (1) HDBaseT IN, (1) 3-pin Phoenix connector, (1) DisplayPort OUT, (1) Audio IN, (1) Audio OUT, (2) USB Type A device connectors
Output Resolution Support	UHD30: 3840 x 2160 @30 Hz; FHD: 1920 x 1080 @60 Hz; HD: 1280 x 720 @60 Hz; WUXGA: 1920 x 1200 @60 Hz; WXGA: 1280 x 800 @60 Hz
Maximum Distance	Via CAT6a/7 cables: Up to 328 feet (100 m) at 3840 x 2160 @30 Hz, 4:2:0, or 1080p @60 Hz output resolution; Via CAT5e/6 cables: Up to 224 feet (70 m) at 3840 x 2160 @30 Hz; Up to 328 feet (100 m) at 1080p @30 Hz resolution
General (Transmitter and Receiver)	
ESD Protection	Human-body model: ±8 kV (air-gap discharge)/±4 kV (contact discharge)
Operating Temperature	32 to 113° F (0 to 45° C)
Storage Temperature	-4 to +158° F (-20 to +70° C)
Humidity	10 to 90%, noncondensing
Power Input	100–240 VAC, 50/60 Hz, 1.5 A
Input Connector Type	IEC320, C14
Power Output	Each unit: (1) 12-VDC, 2-A power supply
Consumption	14.2 W (max.)
Power Supply Cord Length	6 ft. (1.8 m)
Dimensions	Each unit: 0.99"H x 7.91"W x 3.95"D (2.51 x 20.09 x 10.03 cm)
Weight	Each unit: 1.1 lb. (0.5 kg)

Dimensional diagrams of the transmitter and receiver.

UVX-DP-TP-100M Transmitter

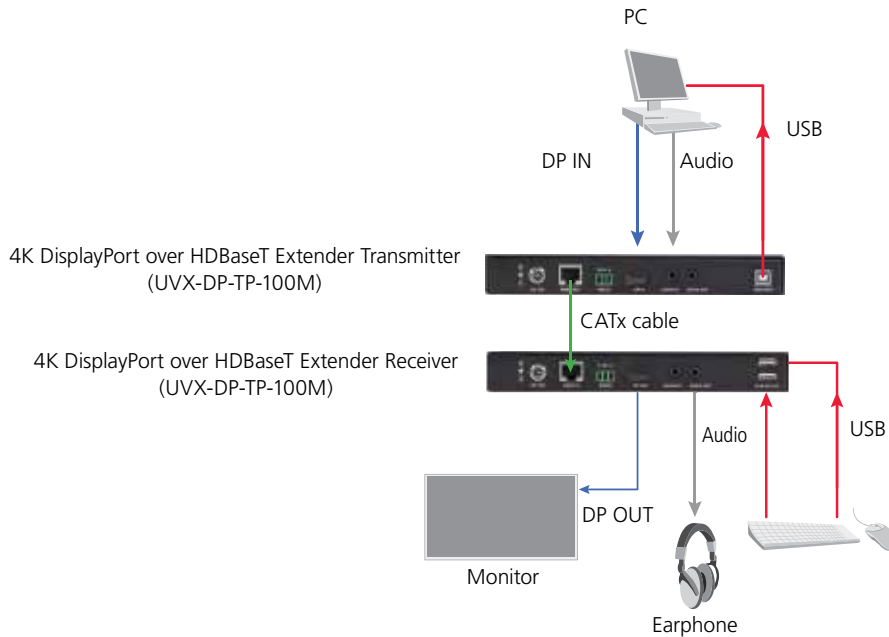


UVX-DP-TP-100M Receiver



4K DisplayPort over HDBaseT Extender Data Sheet

A typical application of the 4K DisplayPort over HDBaseT Extender is shown below.



Disclaimer:

Black Box Network Services shall not be liable for damages of any kind, including, but not limited to, punitive, consequential or cost of cover damages, resulting from any errors in the product information or specifications set forth in this document and Black Box Network Services may revise this document at any time without notice.

About Black Box:

Black Box is a leading technology product solutions provider that helps customers build, manage, optimize, and secure their networks. The Black Box quality management system is ISO 9001:2008 certified, and the company has received numerous industry recognitions. Black Box provides its customers with free, 24/7 pre- and post-sales technical support. The Black Box catalog and Web site offer an extensive range of infrastructure products including Cabling, Cabinets & Racks, Data Center Cooling Solutions, Power & Surge Protection, and Environmental Monitoring.

© Copyright 2016. Black Box Corporation. All rights reserved. Black Box® and the Double Diamond logo are registered trademarks of BB Technologies, Inc. Any third-party trademarks appearing in this publication are acknowledged to be the property of their respective owners.