

LGC5150A-2A Quick Start Guide

Troubleshooting

- Check Type of Cable Used

A CAT5 or higher Ethernet cable is required for the RJ-45 port. Make sure pins are not pulled out of the connector's casing, which will cause damage to the media converter's copper port.

- Check Fiber Type and Speed

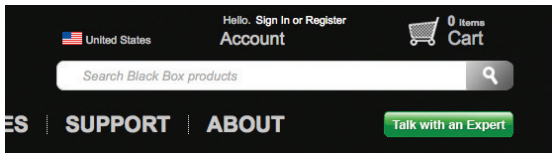
Make sure fiber types match on both sides of the fiber connection. Confirm that each end of the installation is capable of supporting the desired speed.

- Using LFPT

When troubleshooting media converters, first disable any diagnostic features, such as LFPT. Disable the LFPT front DIP switch.

To download the full user manual:

1. Go to www.blackbox.com
2. Enter the part number (LGC5150A, LGC5151A, or LGC5152A) in the search box:



3. Click on the "Resources" tab on the product page, and select the document you wish to download.

If you have any trouble accessing the Black Box site to download the manual, you can contact our Technical Support at 724-746-5500 or info@blackbox.com.



Great tech support is just 60 seconds away at 724-746-5500 or blackbox.com.

These SFPs work with the LGC5150A:

Product Code	Description
LFP401	SFP, 155-Mbps Fiber 850-nm MM, LC, 2 km
LFP402	SFP, 155-Mbps Fiber 1310-nm MM, LC, 2 km
LFP403	SFP, 155-Mbps Fiber 1310-nm, SM, LC, 30 km
LFP411	SFP, 1.25-Gbps Fiber 850-nm MM, LC, 300 m
LFP412	SFP, 1.25-Gbps Fiber, 1310-nm MM, LC, 2 km
LFP413	SFP, 1.25-Gbps Fiber 1310-nm SM, LC, 10 km
LFP414	SFP, 1.25-Gbps Fiber 310-nm SM, LC, 30 km

Customer Support Information

Order toll-free in the U.S.:
Call 877-877-BBOX
(outside U.S. call 1-724-746-5500)

FREE technical support
24 hours a day, 7 days a week:
Call 724-746-5500 or
fax 724-746-0746

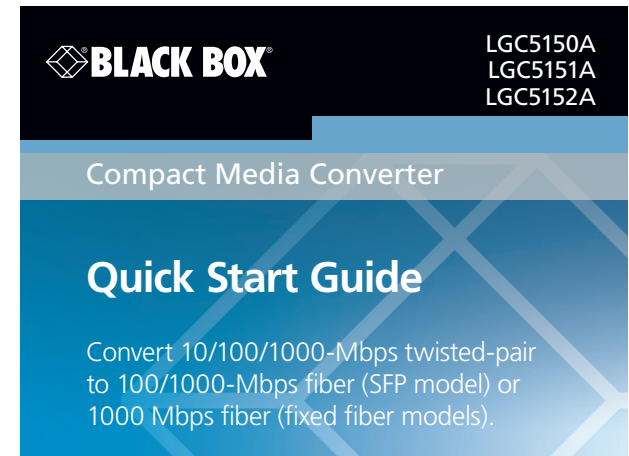
Mailing address:
Black Box Corporation
1000 Park Drive
Lawrence, PA 15055-1018

Web site: www.blackbox.com

E-mail: info@blackbox.com

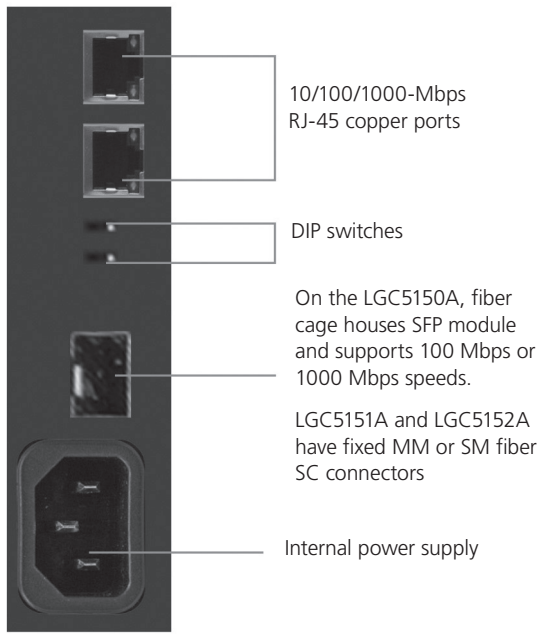
© Copyright 2015. Black Box Corporation. All rights reserved.
Black Box and the Double Diamond logo are registered trademarks of BB Technologies, Inc. Any other trademarks mentioned in this manual are acknowledged to be the property of the trademark owners.

lgc5150a_qsg_rev1



Product Overview

Compact Media Converters enable you to connect 10/100/1000-Mbps devices together over fiber optic cable. The fiber optic cable provides high-speed, clear data communication between the devices at both ends of the link.



LGC5150A pictured here

Getting Started:

Step 1: Connect Your Converter.

- Using a CAT5 or better twisted-pair cable, connect the RJ-45 ports on the converter to your 10/100/1000 Mbps devices.
- If you are using a duplex fiber optic cable, connect the transmit port of one unit to the receive port on the other. Make sure the fiber types match on both sides of the link. If you are using a single-strand single-mode fiber optic cable, attach the fiber optic connector on one end of the link to the fiber optic cable on the other end of the link.

Once the cables are connected, observe the LEDs on the RJ-45 and fiber optic connectors of the media converter.

The LNK/ACT LEDs on the RJ-45 ports light green when the link is valid. This LED blinks green when activity is detected.

The LNK LEDs on the fiber ports light green when the link is valid.

NOTE: Single-strand fiber requires one strand of fiber but two mated products.

Step 2: Set the DIP switches.

The SFP version of the media converter (LGC5150A) supports a LOW SPD DIP switch located on the front of the unit.

Low-Speed (LOW SPD) DIP switch
(on the LGC5150A only).

Low SPD DIP Switch Position	Description
Switch ON	SFP forced to 100 Mbps
Switch OFF	SFP not forced

All three media converter models (LGC5150A, LGC5151A, and LGC5152A) include a Link Fault Passthrough (LFPT) DIP switch, located on the front of the unit.

LFPT is a troubleshooting feature that combines TX and FX LinkLoss from both the local and remote media converters.

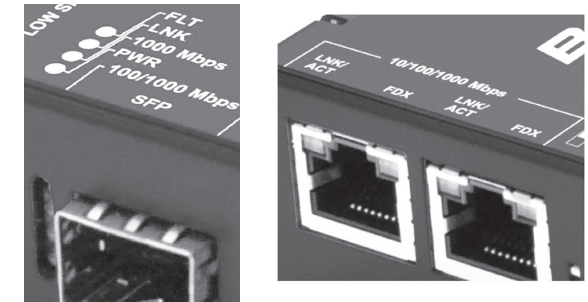
To enable LFPT, set the DIP switch to ON. This feature allows either end of the conversion to detect a link fault occurring at the other end of the media conversion chain.

The connector closest to the DIP switch on the media converter supports LFPT.



LFPT DIP Switch Position	Description
Switch Up	LFPT ON
Switch Down	LFPT OFF

Step 3: LED Operation



Top panel LEDs. (pictured at left). LEDs on the RJ-45 connectors. (pictured at right).

LED	Description
FLT	Lights red when a fault has been detected on the unit.
LNK	Lights green with a valid link.
1000 Mbps	Lights green when media converter is running at 1000 Mbps
PWR	Lights green when media converter is powered on.
LNK/ACT	Lights green with a valid link. Blinks green when activity is detected.
FDX	Lights amber when port is running full duplex.