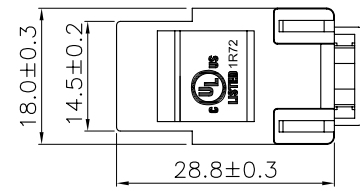
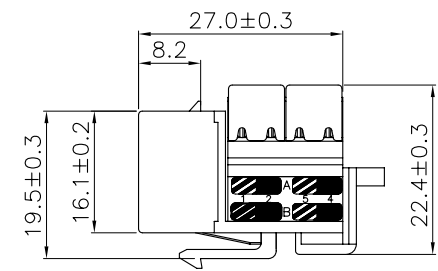
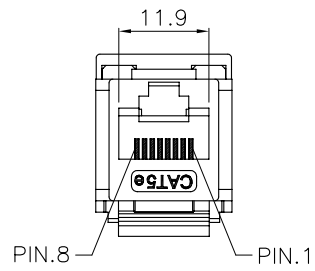
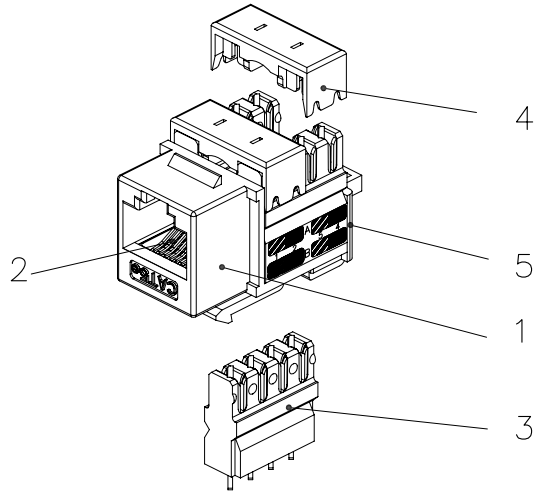


REVISIONS		
Rev	DESCRIPTION	DATE
A	INITIAL RELEASE	



KRONE 45-110 DUAL IDC
SCALE 1/1

Specification:

Material :

1. RJ45 Jack :
 - 1-1. Housing : ABS+PC, UL 94V-0, with optional color.
 - 1-2. RJ45 Jack Bracket Set : PBT+Glass Fiber, UL 94V-0.
2. RJ45 Contact :
 - 2-1. Material : Phosphor Bronze with Nickel plated
 - 2-2. Finish : 50 micro-inch Gold plated on Plug contact area.
3. IDC :
 - 3-1. Housing : PC+Glass Fiber, UL 94V-2.
 - 3-2. Terminal : Phosphor Bronze with Tin plated.
4. IDC CAP : ABS, UL 94-HB.
5. IDC Bracket : ABS, UL 94V-0.
6. PCB : FR4, UL 94V-0.

- 1.XX=Housing Color
 BK=BLACK
 BL=BLUE
 GN=GREEN
 GY=GRAY
 IV=IVORY
 OR=ORANGE
 RD=RED
 WH=WHITE

Performance :

- a. T568A & T568B wiring sticker.
- b. Insertion force : 20N max. (IEC 60603-7-4)
- c. Retention strength : 7.7 kg between Jack and Plug.
- d. Operating temperature : -10°C to 60°C. (ISO/IEC 11801, ANSI/TIA/EIA 568 C.2)
- e. Life(mating cycles) :
 - *Jack : 750 cycles min. (ISO/IEC 11801, IEC 60603-7-4)
 - *IDC : Suitable for 22-26 AWG stranded and solid wire, compatible with both 110 & Krone punch down tools.
- f. The Cat.5e transmission performance is in compliance with the ANSI/TIA/EIA 568 C.2 standard.

UNLESS OTHERWISE SPECIFIED: DIMENSIONS ARE IN INCHES TOLERANCES: FRACTIONAL ± ANGULAR: MACH ± BEND ± TWO PLACE DECIMAL ± THREE PLACE DECIMAL ±				TITLE: CAT 5e Jacks			
INTERPRET GEOMETRIC TOLERANCING PER:	NAME			DATE	SIZE	DWG. NO.	REV
MATERIAL	CRS	FINISH	POWDER COAT	DO NOT SCALE DRAWING	B	CAT5EJ-XX	A
<small>The information contained in this document is the sole property of Black Box Corporation of Pennsylvania. Any reproduction in part or whole without the written permission of Black Box Corp. is prohibited.</small> <small>©Copyright 2012 Black Box Corporation of Pennsylvania d/b/a Black Box Network Services. All Rights Reserved.</small>				SCALE: 1:1		SHEET 1 OF 1	