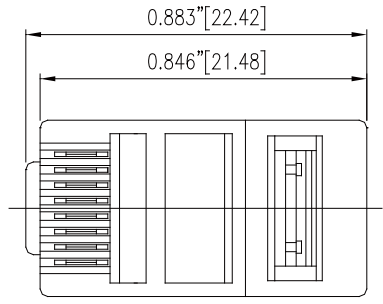
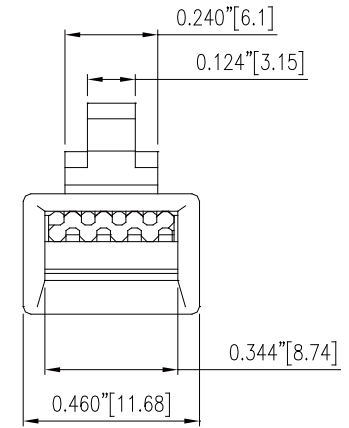
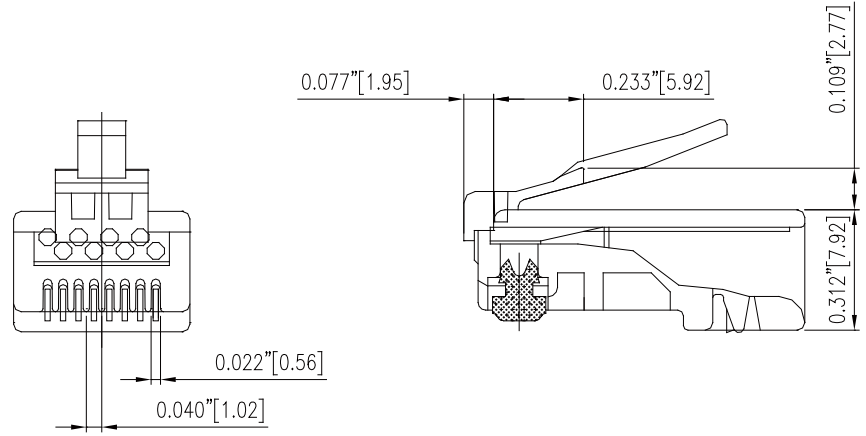
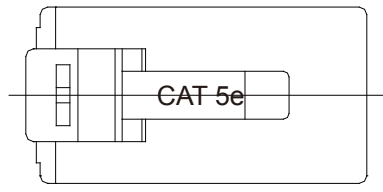


REVISIONS		
Rev	DESCRIPTION	DATE
A	INITIAL RELEASE	2015.03.16



MATERIAL
Housing: High-impact Polycarbonate (PC resin), UL 94 V-2 rated, transparent
Blades: Phosphor bronze, plated with 50 μin (1.27 μm) minimum thick hard gold over 100 μin (2.54 μm) minimum thick nickel underplate on contact area
RoHS compliant

WIRE RANGE
Conductor Diameters: 0.016 in (0.41 mm) 26 AWG - 0.020 in (0.51 mm) 24 AWG
Insulation Diameters: 0.032 in (0.8 mm) - 0.039 in (1.0 mm)
Cable Diameters: 0.197 in (5 mm) - 0.354 in (9 mm)

Blades	2-prong	Angled 2-prong	Angled 3-prong	Long Angled 3-prong				
Drawing								
Mark		●						
Gold Plating	3μ'	6μ'	15μ'	30μ'	50μ'	Cable Type	Round	Flat
Mark					●	Mark	●	

UNLESS OTHERWISE SPECIFIED:
DIMENSIONS ARE IN INCHES
TOLERANCES:
FRACTIONAL ±
ANGULAR: MACH ± BEND ±
TWO PLACE DECIMAL ±
THREE PLACE DECIMAL ±
INTERPRET GEOMETRIC TOLERANCING PER:
MATERIAL
FINISH
DO NOT SCALE DRAWING

DIMENSIONS ARE IN [MM]			
TOLERANCES:			
-0.787 [20]	-1.969 [50]	-5.906 [150]	5.906 [150]
±0.008 [0.2]	±0.016 [0.4]	±0.020 [0.5]	±0.059 [1.5]
3rd Angle Projection			±2°

The information contained in this document is the sole property of Black Box Corporation of Pennsylvania. Any reproduction in part or whole without the written permission of Black Box Corp. is prohibited.
©Copyright 2012 Black Box Corporation of Pennsylvania d/b/a Black Box Network Services. All Rights Reserved.



DRAWN	NAME	DATE	TITLE:
ENG APPR.	Rita Lee	2015.03.16	Category 5e Modular Plugs Un-Shielded - xxx Pack
CHECKED	Kihai Lee	2015.03.16	
CHECKED	Max Wang	2015.03.16	
COMMENTS:			
SIZE	DWG. NO.	REV	
B	C5E-MP-U-XXXXPAK	A	
SCALE: X		SHEET 1 OF 1	