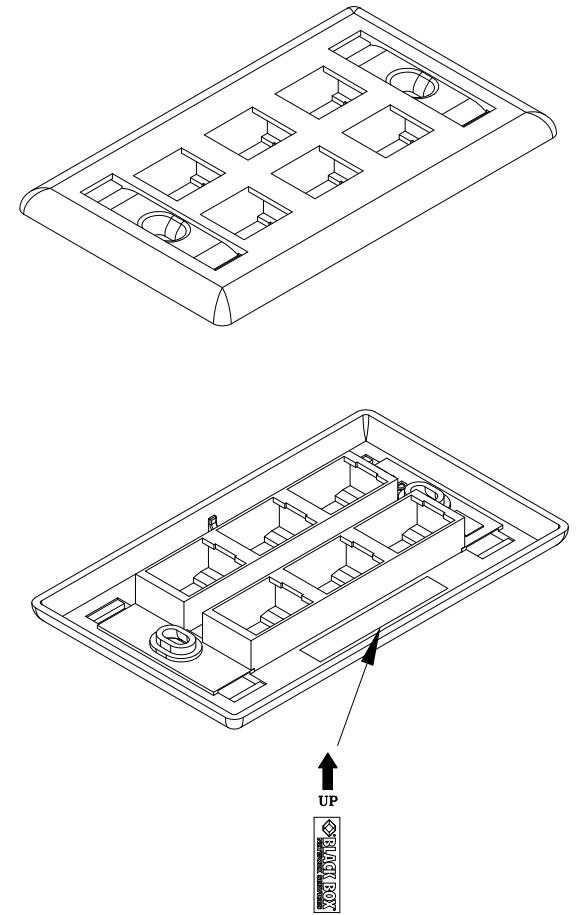
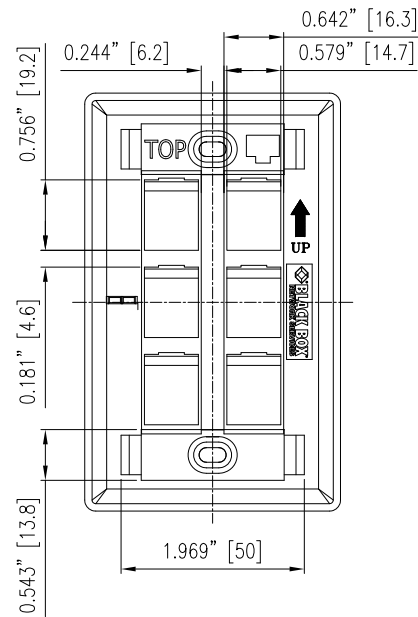


SECTION A-A



MATERIAL
 Housing: High-impact Acrylonitrile Butadiene Styrene (ABS resin), UL 94
 V-0 rated, Ivory
 RoHS compliant

INCLUSION

NO.	Item	Qty
1	Replacement Label	2
2	Clear Label Cover	2
3	Colored Label Cover	2
4	SCREW, #6x25mm	2



DRAWN BY Autumn Lee					Another quality product from BLACK BOX 724-746-8300 • www.blackbox.com				
APPROVED BY Jerry Su					TITLE GigaStation2 Wallplate Singlegang, 6 Port				
DIMENSIONS ARE [IN (MM)]					PARTS NO. WPT478				
TOLERANCES:					DATE 2010.11.05				
~0.8"	~2"	~6"	6"~	ANGLE	SCALE X		SHEET 1/1		REV. 1
±0.007"	±0.015"	±0.02"	±0.06"	2°	3rd Angle Projection				