



Maintenance and Service Guide
OMEN MAX 16 inch Gaming Laptop PC
Model number: 16-ah0xxx

SUMMARY

This guide provides maintenance information about such topics as spare parts, removal and replacement of parts, security, and backing up.

Legal information

© Copyright 2025 HP Development Company, L.P.

Bluetooth is a trademark owned by its proprietor and used by HP Inc. under license. Intel, Core, and Thunderbolt are trademarks of Intel Corporation or its subsidiaries in the U.S. and/or other countries. Microsoft and Windows are either registered trademarks or trademarks of Microsoft Corporation in the United States and/or other countries. NVIDIA and GeForce RTX are trademarks and/or registered trademarks of NVIDIA Corporation in the U.S. and other countries. USB Type-C and USB-C are registered trademarks of USB Implementers Forum. DisplayPort and the DisplayPort logo are trademarks owned by the Video Electronics Standards Association (VESA) in the United States and other countries. Miracast and Wi-Fi are registered trademarks of Wi-Fi Alliance.

The information contained herein is subject to change without notice. The only warranties for HP products and services are set forth in the express warranty statements accompanying such products and services. Nothing herein should be construed as constituting an additional warranty. HP shall not be liable for technical or editorial errors or omissions contained herein.

First Edition: April 2025

Document Part Number: P19642-002

Product notice

This guide describes features that are common to most models. Some features may not be available on your computer.

Not all features are available in all editions or versions of Windows. Systems may require upgraded and/or separately purchased hardware, drivers, software or BIOS update to take full advantage of Windows functionality. Windows is automatically updated, which is always enabled. High-speed internet and Microsoft account required. ISP fees may apply and additional requirements may apply over time for updates. See <http://www.windows.com>.

If your product ships with Windows in S

Mode: Windows in S Mode works exclusively with apps from the Microsoft Store within Windows. Certain default settings, features, and apps cannot be changed. Some accessories and apps that are compatible with Windows may not work (including some antivirus, PDF writers, driver utilities, and accessibility apps), and performance may vary, even if you switch out of S Mode. If you switch to Windows, you cannot switch back to S Mode. Learn more at Windows.com/SmodeFAQ.

To access the latest user guides, go to <http://www.hp.com/support>, and follow the instructions to find your product. Then select **Manuals**.

Software terms

By installing, copying, downloading, or otherwise using any software product preinstalled on this computer, you agree to be bound by the terms of the HP End User License Agreement (EULA). If you do not accept these license terms, your sole remedy is to return the entire unused product (hardware and software) within 14 days for a full refund subject to the refund policy of your seller.

For any further information or to request a full refund of the price of the computer, please contact your seller.

Safety warning notice

Reduce the possibility of heat-related injuries or of overheating the computer by following the practices described.

-
- ⚠ WARNING!** To reduce the possibility of heat-related injuries or of overheating the computer, do not place the computer directly on your lap or obstruct the computer air vents. Use the computer only on a hard, flat surface. Do not allow another hard surface, such as an adjoining optional printer, or a soft surface, such as pillows or rugs or clothing, to block airflow. Also, do not allow the AC adapter to come into contact with the skin or a soft surface, such as pillows or rugs or clothing, during operation. The computer and the AC adapter provided by HP comply with the user-accessible surface temperature limits defined by applicable safety standards.
-

Important notice about Customer Self-Repair parts

Your computer includes Customer Self-Repair parts and parts that should be accessed only by an authorized service provider.



IMPORTANT: See [Removal and replacement procedures for Customer Self-Repair parts on page 33](#) for details.

Accessing parts described in [Removal and replacement procedures for authorized service provider parts on page 49](#) can damage the computer or void your warranty.

Table of contents

1 Product description	1
2 Getting to know your computer	7
Right side	7
Left side	7
Rear	8
Display	9
Low blue light mode (select products only)	10
Wake-on-voice (select products only)	10
Keyboard area	11
Touchpad settings and components	11
Touchpad settings	11
Adjusting touchpad settings	11
Turning on the touchpad	12
Touchpad components	12
Lights	12
Special keys	13
Bottom	15
Labels	16
3 Illustrated parts catalog	17
Computer major components	17
Display assembly subcomponents	20
Miscellaneous parts	22
4 Removal and replacement procedures preliminary requirements	24
Tools required	24
Service considerations	24
Plastic parts	24
Cables and connectors	24
Drive handling	24
Electrostatic discharge information	25
Generating static electricity	25
Preventing electrostatic damage to equipment	26
Personal grounding methods and equipment	26
Grounding the work area	27
Recommended materials and equipment	27
Cleaning your computer	28
Enabling HP Easy Clean (select products only)	28
Removing dirt and debris from your computer	28

Cleaning your computer with a disinfectant.....	29
Caring for wood veneer (select products only).....	30
Packaging and transporting guidelines.....	30
Accessing support information.....	30
5 Removal and replacement procedures for Customer Self-Repair parts.....	33
Component replacement procedures.....	33
Preparation for disassembly.....	33
Bottom cover.....	33
Battery.....	36
Removing and reinstalling the same battery.....	36
Installing a new battery.....	38
Solid-state drive.....	42
Memory modules.....	46
6 Removal and replacement procedures for authorized service provider parts.....	49
Component replacement procedures.....	49
WLAN module.....	49
Speakers.....	50
USB board cable.....	51
Heat sink/fan assembly.....	52
Fans (models with 5070 or 5060 graphics).....	54
Solid-state drive, primary, models with 5070Ti, 5080, or 5090 graphics.....	55
System board.....	56
USB board cable.....	60
IR board.....	61
Audio board.....	62
ULL board.....	63
Touchpad.....	64
Display assembly.....	66
Top cover with keyboard.....	77
7 Using Setup Utility (BIOS).....	79
Starting Setup Utility (BIOS).....	79
Updating Setup Utility (BIOS).....	79
Determining the BIOS version.....	79
Preparing for a BIOS update.....	80
Downloading a BIOS update.....	80
Installing a BIOS update.....	80
8 Using HP PC Hardware Diagnostics.....	82
Using HP PC Hardware Diagnostics Windows (select products only).....	82
Using an HP PC Hardware Diagnostics Windows hardware failure ID code.....	82
Accessing HP PC Hardware Diagnostics Windows.....	82
Accessing HP PC Hardware Diagnostics Windows from HP Support Assistant.....	82
Accessing HP PC Hardware Diagnostics Windows from the Start menu (select products only).....	83
Downloading HP PC Hardware Diagnostics Windows.....	83
Downloading the latest HP PC Hardware Diagnostics Windows version from HP.....	83

Downloading the HP PC Hardware Diagnostics Windows from the Microsoft Store	83
Downloading HP Hardware Diagnostics Windows by product name or number (select products only)	83
Installing HP PC Hardware Diagnostics Windows	84
Using HP PC Hardware Diagnostics UEFI	84
Using an HP PC Hardware Diagnostics UEFI hardware failure ID code	84
Starting HP PC Hardware Diagnostics UEFI	84
Starting HP PC Hardware Diagnostics UEFI through HP Hotkey Support software (select products only)	85
Downloading HP PC Hardware Diagnostics UEFI to a USB flash drive	85
Downloading the latest HP PC Hardware Diagnostics UEFI version	86
Downloading HP PC Hardware Diagnostics UEFI by product name or number (select products only)	86
Using Remote HP PC Hardware Diagnostics UEFI settings (select products only)	86
Downloading Remote HP PC Hardware Diagnostics UEFI	86
Downloading the latest Remote HP PC Hardware Diagnostics UEFI version	86
Downloading Remote HP PC Hardware Diagnostics UEFI by product name or number	86
Customizing Remote HP PC Hardware Diagnostics UEFI settings	87
9 Backing up, restoring, and recovering	88
Backing up information and creating recovery media	88
Using Windows tools for backing up	88
Using the HP Cloud Recovery Download Tool to create recovery media (select products only)	88
Restoring and recovering your system	88
Creating a system restore	89
Restoring and recovery methods	89
Recovering using HP Recovery media	89
Changing the computer boot order	90
Using HP Sure Recover (select products only)	90
10 Specifications	91
Computer specifications	91
Display specifications	91
Solid-state drive specifications	92
11 Power cord set requirements	94
Requirements for all countries	94
Requirements for specific countries and regions	94
12 Swelling or deformation of notebook battery	97
Swollen notebook batteries	97
Swollen battery is not a safety issue	97
Discontinue using a swollen battery	97
Replace a swollen battery	97
Minimize battery swelling	97
HP Adaptive Battery Optimizer (consumer notebooks)	98
HP Battery Health Manager (commercial notebooks)	98

13 Recycling.....99
Index.....100

1 Product description

This table provides detailed product information.

Table 1-1 Product components and their descriptions

Category	Description
Product Name	OMEN MAX 16 inch Gaming Laptop PC
	Model numbers: 16-ah0xxx
	CTO model number: 16t-ah000
Chipset	Intel® HM870
Processor	Intel® processors
	Intel Core® Ultra 9 275HX
	Intel Core Ultra 7 255HX
Graphics controller	Internal graphics
	Intel Graphics
	Discrete/hybrid graphics
	<ul style="list-style-type: none">• NVIDIA® GeForce RTX® 5090
	<ul style="list-style-type: none">• NVIDIA GeForce RTX 5080
	<ul style="list-style-type: none">• NVIDIA GeForce RTX 5070
	<ul style="list-style-type: none">• NVIDIA GeForce RTX 5070Ti
	<ul style="list-style-type: none">• NVIDIA GeForce RTX 5060
	Supports HD Decode, DX12, and HDMI
	Supports Advanced Optimus
Supports G-Sync (internal and external)	
Supports GPU Performance Scaling (GPS)	
Display	40.64 cm (16.0 in), ultrawide viewing angle (UWVA)
	<ul style="list-style-type: none">• VESA True Black
	<ul style="list-style-type: none">• 16:10 aspect ratio
	<ul style="list-style-type: none">• TUV + EyeSafe Panel Certification
	<ul style="list-style-type: none">• Flicker free
<ul style="list-style-type: none">• Variable refresh rate support (select products only)	
	2.5K (2560 × 1600), 100% sRGB, OLED, antiglare, embedded DisplayPort™ (eDP) 1.4, low blue light, 500 nits, DDS, 0.2 ms response time, 240 Hz (VRR)
	WUXGA (1920 × 1200), 100% sRGB, low blue light, eDP 1.4 without PSR, 400 nits, 3 ms response time, 165 Hz

Table 1-1 Product components and their descriptions (continued)

Category	Description
Memory	Two SODIMM slots, customer accessible and upgradeable, supporting up to 64 GB of RAM
	DDR5-5600, 1.1 V, dual-channel support
	Supports the following configurations:
	<ul style="list-style-type: none"> • 64 GB (32 GB × 2)
	<ul style="list-style-type: none"> • 32 GB (16 GB × 2) or (32 GB × 1)
	<ul style="list-style-type: none"> • 24 GB (16 GB + 8 GB) or (12 GB + 12 GB) • 16 GB (8 GB × 2) or (16 GB × 1) • 12 GB (12 GB × 1)
Primary storage	M.2 solid-state drive (2280, NVMe)
	2 TB, PCIe-4 × 4, three-layer cell (TLC)
	1 TB, PCIe-4 × 4, TLC
	1 TB, PCIe-5 × 4, TLC
	1 TB, PCIe-4 × 4
	2 × 512 GB, PCIe-4 × 4
	512 GB, PCIe-4 × 4
Audio	DTS: X Ultra
	Dual speakers
	Supports XiaoWei
	Supports HP Audio Boost
	Supports DTS X: Ultra
Video	HP True Vision FHD Camera - indicator LED, USB 2.0, HD BSI sensor, f2.0, 80° narrow field-of-view (NFOV)
	1080p by 30 frames per second (fps)
	Dual-array, digital microphone with appropriate software - beam forming, echo cancellation, noise suppression
Wireless	Wireless Local Area Network (WLAN) with dual antennas (M.2 module/PCIe)
	<ul style="list-style-type: none"> • Intel Wi-Fi® 6E AX211 Bluetooth® 5.3 WLAN
	<ul style="list-style-type: none"> • Intel Wi-Fi 7 BE200 Bluetooth 5.4 WLAN
	Support for Miracast®
	Wi-Fi BIOS SAR
	Support for Modern Standby (connected)
	Intel Bluetooth audio offload
	Dynamic antenna gain (Wi-Fi)
	Dynamic antenna gain (Bluetooth)
	UNII-4 5 GHz channel
RJ-45 (network)	Integrated 10/100/1000 GbE LAN

Table 1-1 Product components and their descriptions (continued)

Category	Description
	Realtek RTL8125BGH-CG 2.5GbE Ethernet Controller
Ports	Hot plug/unplug and auto detect for correct output to wide-aspect vs standard aspect video
	Audio-out (headphone)/audio-in (microphone) combo jack
	RJ-45 (network) jack
	AC smart adapter plug
	HDMI 2.1 supporting up to: <ul style="list-style-type: none"> • 8 K @ 60 Hz • 4 K @ 60 Hz • 8 K @ 30 Hz
	USB 3.2 Gen 2 Type-A 10 Gbps ports (2), right and rear sides
	USB Thunderbolt™ 4 with USB Type-C® 40 Gbps ports (2), left side, supports: <ul style="list-style-type: none"> • DisplayPort 1.4 out up to 8 K (60 Hz) and HDMI 2.1 out through adapter • Power delivery (100 W input) • Data transfer • HDMI 2.1 output up to 8 K @ 60 Hz with HDCP 2.3 with adapter capable of HDMI 2.1 • HP Sleep & Charge
Sensor	IR thermal sensor
Keyboard/pointing devices	Keyboard (backlit, numeric keypad)
	4-zone RGB lighting
	Per key RGB lighting
	26-key rollover anti-ghosting key technology
	Supports power button
	Clickpad with image sensor
	Supports Microsoft precision gestures
	Supports modern trackpad gestures
	Multitouch gestures enabled
	Taps enabled as default
Power requirements	Battery
	6 cell, 83 Whr
	Long life
	Fast charge
	Smart AC adapter (3 pin, 4.5 mm, power correction factor [PFC])
	330 W

Table 1-1 Product components and their descriptions (continued)

Category	Description
	280 W
	Power cord
	C13, premium, 1.0 m (3.3 ft)
Security	Trusted Platform Module (TPM) 2.0
	Camera privacy cover
Operating system	Windows® 11 Pro
	Windows 11 Pro High End
	Windows 11 Pro High End China
	Windows 11 Pro China
	Windows 11 Pro Value
	Windows 11 Pro Value China
	Windows 11 Pro Entry
	Windows 11 Pro Entry China
	Windows 11 Home 64 Desktop AIO Chinese Market CPPP
	Windows 11 Home in S Mode for Developed Markets (ML)
	Windows 11 Home in S Mode Advanced ML
	Windows 11 Home in S Mode Plus ML
	Windows 11 Home in S Mode ML
	Windows 11 Home in S Mode Value ML
	Windows 11 Home in S Mode Entry ML
	Windows 11 Home in S Mode for Emerging Markets (EM/SL)
	Windows 11 Home in S Mode Advanced SL
	Windows 11 Home in S Mode Plus SL
	Windows 11 Home in S Mode SL
	Windows 11 Home in S Mode Value SL
	Windows 11 Home in S Mode Entry SL
	Windows 11 Home in S Mode for China Market
	Windows 11 Home in S Mode High End CPPP
	Windows 11 Home in S Mode CPPP
	Windows 11 Home in S Mode for APAC Markets
	Windows 11 Home in S Mode Plus SL APAC PPP
	Windows 11 Home in S Mode SL APAC PPP
	Windows 11 Home in S Mode Value SL APAC PPP
	Windows 11 Home in S Mode Entry SL APAC PPP

Table 1-1 Product components and their descriptions (continued)

Category	Description
	Windows 11 Home in S Mode for Africa Markets
	Windows 11 Home in S Mode SL Africa PPP
	Windows 11 Home in S Mode for Indonesia Market
	Windows 11 Home in S Mode Plus SL Indonesia PPP (IDPPP)
	Windows 11 Home in S Mode SL Indonesia PPP (IDPPP)
	Windows 11 Home in S Mode Value SL Indonesia PPP (IDPPP)
	Windows 11 Home in S Mode Entry SL Indonesia PPP (IDPPP)
	Windows 11 Home in S Mode for India Market
	Windows 11 Home in S Mode Plus SL India PPP (IPPP)
	Windows 11 Home in S Mode SL India PPP (IPPP)
	Windows 11 Home in S Mode Value SL India PPP (IPPP)
	Windows 11 Home in S Mode Entry SL India PPP (IPPP)
	Windows 11 Home for Developed Market (ML)
	Windows 11 Home Advanced ML
	Windows 11 Home Plus ML
	Windows 11 Home ML
	Windows 11 Home for Developed Market (ML)
	Windows 11 Home Advanced ML
	Windows 11 Home Plus ML
	Windows 11 Home ML
	Windows 11 Home for Emerging Market (EM/SL)
	Windows 11 Home Advanced SL
	Windows 11 Home Plus SL
	Windows 11 Home SL
	Windows 11 Home Value SL
	Windows 11 Home Entry SL
	Windows 11 Home for China Market
	Windows 11 Home High End China PPP (CPPP)
	Windows 11 Home China PPP (CPPP)
	Windows 11 Home for India Market
	Windows 11 Home Plus SL India PPP (IPPP)
	Windows 11 Home SL India PPP (IPPP)
	Windows 11 Home Value SL India PPP (IPPP)
	Windows 11 Home Entry SL India PPP (IPPP)

Table 1-1 Product components and their descriptions (continued)

Category	Description
	Windows 11 Home for Indonesia Market
	Windows 11 Home Plus SL Indonesia PPP (IDPPP)
	Windows 11 Home SL Indonesia PPP (IDPPP)
	Windows 11 Home Value SL Indonesia PPP (IDPPP)
	Windows 11 Home Entry SL Indonesia PPP (IDPPP)
	Windows 11 Home for APAC Market
	Windows 11 Home Plus SL APAC PPP
	Windows 11 Home SL APAC PPP
	Windows 11 Home Value SL APAC PPP
	Windows 11 Home Entry SL APAC PPP
	Windows 11 Home for Africa PPP Market
	Windows 11 Home Plus SL Africa PPP
	Windows 11 Home SL Africa PPP
	Windows 11 Home Value SL Africa PPP
	Windows 11 Home Entry SL Africa PPP
Serviceability	AC adapter
	Solid-state drive (select products only)
	Bottom cover
	Battery
	Memory modules

2 Getting to know your computer

Your computer features top-rated components. This chapter provides details about your components, where they are located, and how they work.

Right side

Identify the components on the right side of the computer.

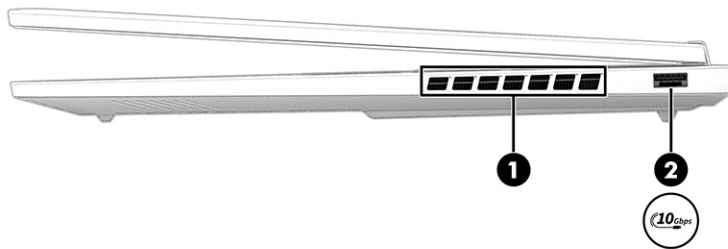



Table 2-1 Right-side components and their descriptions

	Component	Description
(1)	Vent	Enables airflow to cool internal components. NOTE: The computer fan starts up automatically to cool internal components and prevent overheating. It is normal for the internal fan to cycle on and off during routine operation.
(2)	 USB 10 Gbps port	Connects a USB device, provides high-speed data transfer, and (for select products) charges small devices (such as a smartphone) when the computer is on. NOTE: Use a standard USB Type-A charging cable or cable adapter (purchased separately) when charging a small external device.

Left side

Identify the components on the left side of the computer.

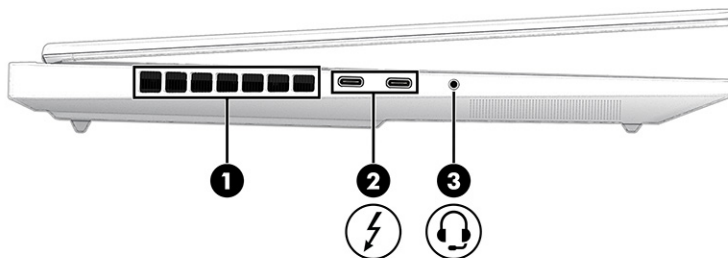




Table 2-2 Left-side components and their descriptions

	Component	Description
(1)	Vent	Enables airflow to cool internal components. NOTE: The computer fan starts up automatically to cool internal components and prevent overheating. It is normal for the internal fan to cycle on and off during routine operation.
(2)	 USB Type-C 100 W power connector and Thunderbolt™ port with HP Sleep and Charge and DisplayPort output	Connects an AC adapter that has a USB Type-C connector, supplying power to the computer and, if needed, charging the computer battery. - and - Connects a USB device, provides high-speed data transfer, and charges small devices (such as a smartphone), even when the computer is off. NOTE: Use a standard USB Type-C charging cable or cable adapter (purchased separately) when charging a small external device. - and - Connects a display device that has a USB Type-C connector, providing DisplayPort output. NOTE: Your computer might also support a Thunderbolt docking station. NOTE: To ensure that your computer operates at full performance and can charge the battery when using resource-intensive applications, use the AC adapter that ships with your computer. Connect the AC adapter to the power connector on the rear of the computer. You can use an optional 100 W, 20 V USB Type-C adapter or power bank when running light-load tasks. System-off charging is supported only when you use a 20 V USB Type-C adapter or power bank.
(3)	 Audio-out (headphone)/Audio-in (microphone) combo jack	Connects optional powered stereo speakers, headphones, earbuds, a headset, or a television audio cable. Also connects an optional headset microphone. This jack does not support optional standalone microphones. WARNING! To reduce the risk of personal injury, adjust the volume before putting on headphones, earbuds, or a headset. For additional safety information, see the <i>Regulatory, Safety, and Environmental Notices</i> . To access this guide: <ul style="list-style-type: none">■ Select the Search icon in the taskbar, type HP Documentation in the search box, and then select HP Documentation. NOTE: When a device is connected to the jack, the computer speakers are disabled.

Rear

Identify the rear components.

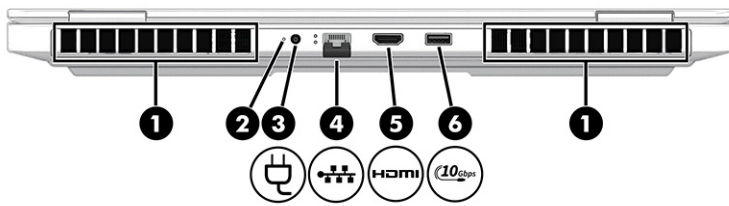






Table 2-3 Rear components and their descriptions

	Component	Description
(1)	Vents (2)	Enable airflow to cool internal components. NOTE: The computer fan starts up automatically to cool internal components and prevent overheating. It is normal for the internal fan to cycle on and off during routine operation.
(2)	AC adapter and battery light	<ul style="list-style-type: none"> White: The AC adapter is connected and the battery is fully charged. Blinking amber: The AC adapter is disconnected and the battery has reached a low battery level. Amber: The AC adapter is connected and the battery is charging. Off: The battery is not charging.
(3)	 Power connector	Connects an AC adapter.
(4)	 RJ-45 (network) jack/status lights	Connects a network cable. <ul style="list-style-type: none"> White: The network is connected. Amber: Activity is occurring on the network.
(5)	 HDMI port	Connects an optional video or audio device, such as a high-definition television, any compatible digital or audio component, or a high-speed High-Definition Multimedia Interface (HDMI) device.
(6)	 USB 10 Gbps port	Connects a USB device, provides high-speed data transfer, and (for select products) charges small devices (such as a smartphone) when the computer is on. NOTE: Use a standard USB Type-A charging cable or cable adapter (purchased separately) when charging a small external device.

Display

The computer display can include essential components such as speakers, antennas, cameras, and microphones.

Low blue light mode (select products only)

Your computer display is shipped from the factory in low blue light mode for improved eye comfort and safety. Also, blue light mode automatically adjusts blue light emissions when you are using the computer at night or for reading.

⚠ WARNING! To reduce the risk of serious injury, read the *Safety & Comfort Guide*. It describes proper workstation setup and proper posture, health, and work habits for computer users. The *Safety & Comfort Guide* also provides important electrical and mechanical safety information. The *Safety & Comfort Guide* is available on the web at <http://www.hp.com/ergo>.

Wake-on-voice (select products only)

Use the wake-on-voice feature to bring the computer out of the Sleep state quickly.

To access the wake-on-voice settings, follow these steps:

1. Select the **Search** icon in the taskbar, type `XiaoWei` in the search box, and then select **XiaoWei**.
2. When the tool opens, scan the QR code with your mobile device, which takes you to the settings page, where you can select your wake-on-voice features.
3. Follow the on-screen instructions.

📝 NOTE: Allow the XiaoWei app to continue running on the computer.

📝 NOTE: Refer to the illustration that most closely matches your computer.

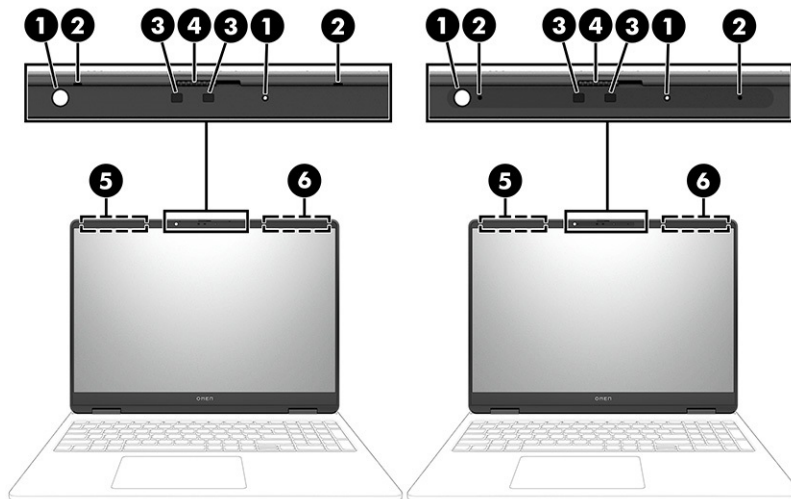


Table 2-4 Display components and their descriptions

	Component	Description
(1)	Camera lights (2)	On: One or more cameras are in use.
(2)	Internal microphones (2)	Record sound.

Table 2-4 Display components and their descriptions (continued)

Component	Description
(3) Cameras (2)	Allow you to video chat, record video, and record still images. Some cameras also allow a facial recognition logon to Windows®, instead of a password logon. NOTE: Camera functions vary depending on the camera hardware and software installed on your product.
(4) Camera privacy cover	By default, the camera lens is uncovered, but you can slide the camera privacy cover to block the camera's view. To use the camera, slide the camera privacy cover in the opposite direction to reveal the lens. NOTE: If you have both front-facing and rear-facing cameras, when one camera lens is revealed and ready to use, the other is concealed.
(5) WLAN antennas (2)*	Send and receive wireless signals to communicate with wireless local area networks (WLANs).
(6) Ultra low latency Bluetooth antenna	Send and receive wireless signals to communicate with Bluetooth-enabled devices such as computers, phones, printers, headsets, speakers, and cameras NOTE: To use this feature, change the devices to communicate with specific HyperX options.

*The antennas are not visible from the outside of the computer. For optimal transmission, keep the areas immediately around the antennas free from obstructions.


For wireless regulatory notices, see the section of the *Regulatory, Safety, and Environmental Notices* that applies to your country or region.

To access this guide:

- Select the **Search** icon in the taskbar, type `HP Documentation` in the search box, and then select **HP Documentation**.

Keyboard area

Keyboards can vary by language.

 **NOTE:** The keyboard area, including the function keys and (select products only) power key, is disabled in stand, tent, and tablet modes. To enable the keyboard, including the power key, change to the clamshell mode.

Touchpad settings and components

Learn the touchpad settings and components.

Touchpad settings

Learn how to adjust touchpad settings.

Adjusting touchpad settings

Use these steps to adjust touchpad settings and gestures.

1. Select the **Search** icon in the taskbar, type `touchpad settings` in the search box, and then press `enter`.
2. Choose a setting.

Turning on the touchpad

Follow these steps to turn on the touchpad.

1. Select the **Search** icon in the taskbar, type `touchpad settings` in the search box, and then press `enter`.
2. Using an external mouse, click the **touchpad** button.

If you are not using an external mouse, press the `Tab` key repeatedly until the pointer rests on the **touchpad** button. Then press the `spacebar` to select the button.

Touchpad components

Identify the touchpad components.

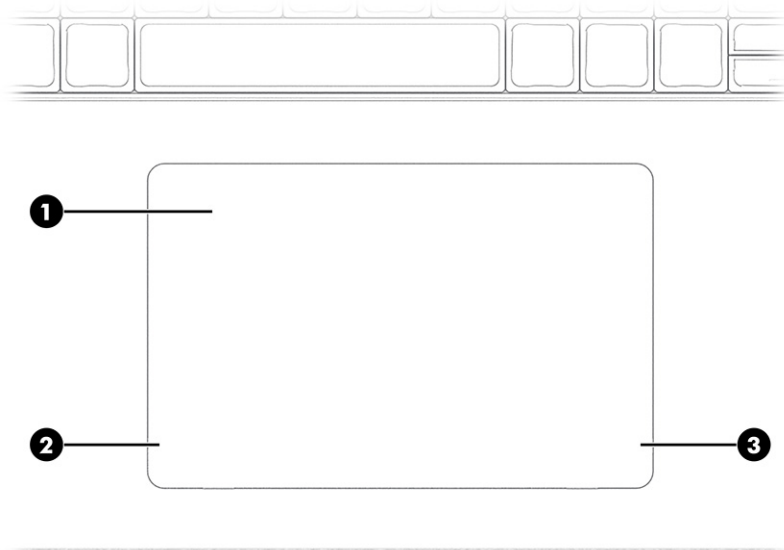


Table 2-5 Touchpad components and their descriptions

	Component	Description
(1)	Touchpad zone	Reads your finger gestures to move the pointer or activate items on the screen.
(2)	Left touchpad button	Functions like the left button on an external mouse.
(3)	Right touchpad button	Functions like the right button on an external mouse.

Lights

Identify the lights on the computer.

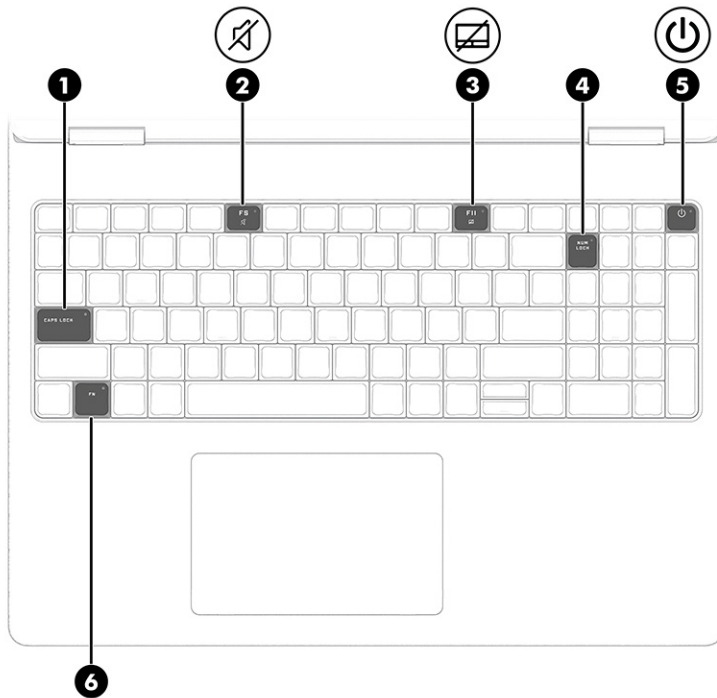





Table 2-6 Lights and their descriptions

	Component	Description
(1)	Caps lock light	On: Caps lock is on, which switches the key input to all capital letters.
(2)	 Mute light	<ul style="list-style-type: none"> On: Computer sound is off. Off: Computer sound is on.
(3)	 Touchpad light	<ul style="list-style-type: none"> On: The touchpad is off. Off: The touchpad is on.
(4)	num lock light	<ul style="list-style-type: none"> On: The numeric keypad is on. Off: The numeric keypad is off.
(5)	 Power light	<ul style="list-style-type: none"> On: The computer is on. Blinking (select products only): The computer is in the Sleep state, a power-saving state. The computer shuts off power to the display and other unnecessary components. Off: Depending on your computer model, the computer is off, in Hibernation, or in Sleep. Hibernation is the power-saving state that uses the least amount of power.
(6)	Fn lock light	On: The fn key is locked.

Special keys

Identify the special keys.

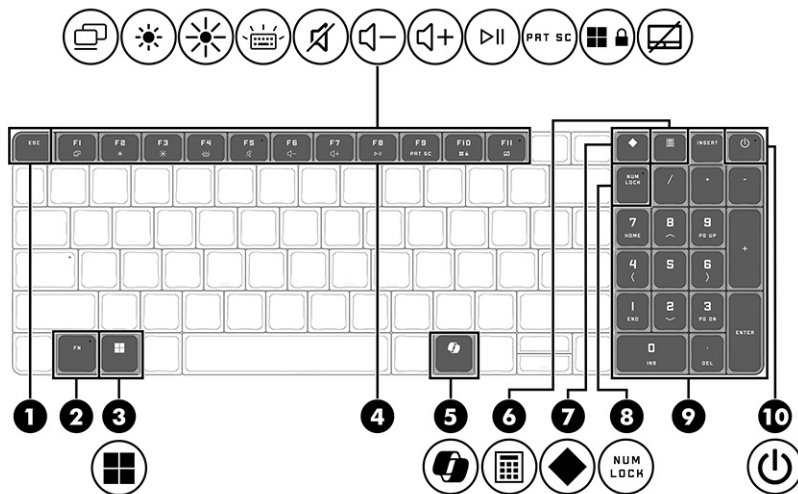


Table 2-7 Special keys and their descriptions







	Component	Description
(1)	esc key	Displays system information when pressed in combination with the fn key.
(2)	fn key	Executes specific functions when pressed in combination with another key.
(3)	 Windows key	Opens the Start menu. NOTE: Pressing the Windows key again will close the Start menu.
(4)	Action keys	Execute frequently used system functions as defined by the icon symbols on f1 through f12 function keys.
(5)	 Windows Copilot key	Opens Windows Copilot (select products only). NOTE: Copilot in Windows (select products only) requires Windows 11. Some features require a neural processing unit (NPU). The timing of feature delivery and availability varies by market and device. You must have a Microsoft account to use the Copilot feature. When the Copilot feature is not available, pressing the Copilot key opens the Bing search engine.
(6)	 Calculator key	Opens the calculator.
(7)	 OMEN key	Opens the OMEN Gaming Hub software.
(8)	num lock key	Alternates between the navigational and numeric functions on the integrated numeric keypad.
(9)	Integrated numeric keypad	A separate keypad to the right of the alphabet keyboard. When num lock is pressed, the keypad can be used like an external numeric keypad. NOTE: If the keypad function is active when the computer is turned off, that function is reinstated when the computer is turned back on.

Table 2-7 Special keys and their descriptions (continued)

	Component	Description
(10)	 Power button	<ul style="list-style-type: none">• When the computer is off, press the button briefly to turn on the computer.• When the computer is on, press the button briefly to initiate Sleep.• When the computer is in the Sleep state, press the button briefly to exit Sleep (select products only).• When the computer is in Hibernation, press the button briefly to exit Hibernation. <p>IMPORTANT: Pressing and holding down the power button results in the loss of unsaved information.</p> <p>If the computer has stopped responding and shutdown procedures are ineffective, press and hold the power button down for at least 10 seconds to turn off the computer.</p> <p>To learn more about your power and sleep settings:</p> <ul style="list-style-type: none">▪ Right-click the Power icon , and then select Power and sleep settings.

Bottom

Identify the bottom components.

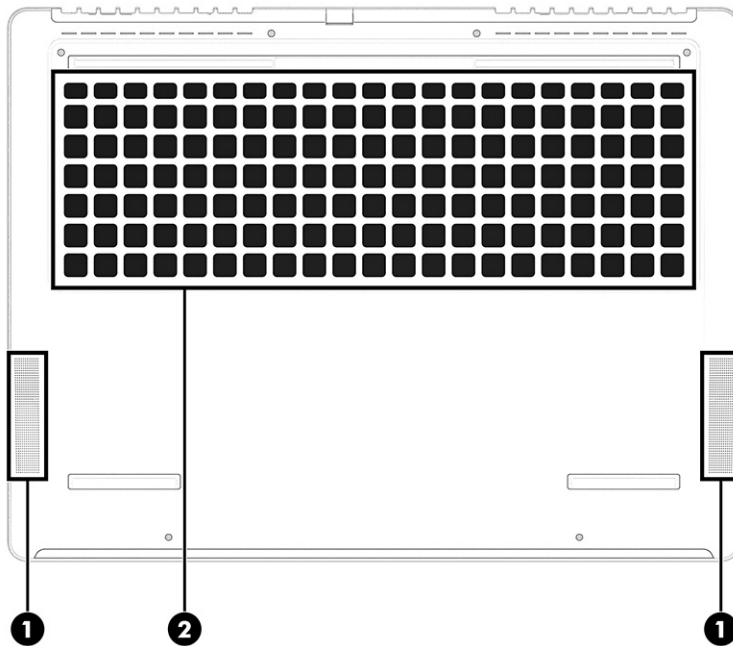



Table 2-8 Bottom components and their descriptions

	Component	Description
(1)	Speakers (2)	Produce sound.
(2)	Vent	Enables airflow to cool internal components.

NOTE: The computer fan starts up automatically to cool internal components and prevent overheating. It is normal for the internal fan to cycle on and off during routine operation.

Labels

The labels affixed to the computer provide information that you might need when you troubleshoot system problems or travel internationally with the computer. Labels can be in paper form or imprinted on the product.

 **IMPORTANT:** Check the following locations for the labels described in this section: the bottom of the computer, inside the battery bay, under the service door, on the back of the display, or on the bottom of a tablet kickstand.

- Service label—Provides important information to identify your computer. When contacting support, you might be asked for the serial number, the product number, or the model number. Locate this information before you contact support.

Your service label will resemble the following example.

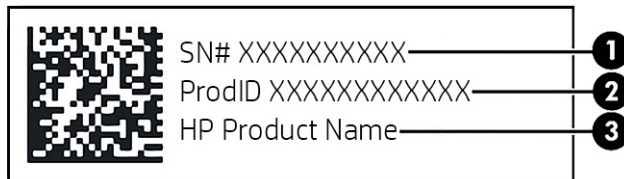


Table 2-9 Service label components

	Component
(1)	Serial number
(2)	Product ID
(3)	HP product name and model number

- Regulatory labels—Provide regulatory information about the computer.
- Wireless certification labels—Provide information about optional wireless devices and the approval markings for the countries or regions in which the devices have been approved for use.


3 Illustrated parts catalog

Use this chapter to determine the spare parts that are available for the computer.

Computer major components

To identify the computer major components, use this illustration and table.

 **NOTE:** HP continually improves and changes product parts. For complete and current information about supported parts for your computer, go to <http://partsurfer.hp.com>, select your country or region, and then follow the on-screen instructions.

 **NOTE:** Details about your computer, including model, serial number, product key, and length of warranty, are on the service tag at the bottom of your computer.

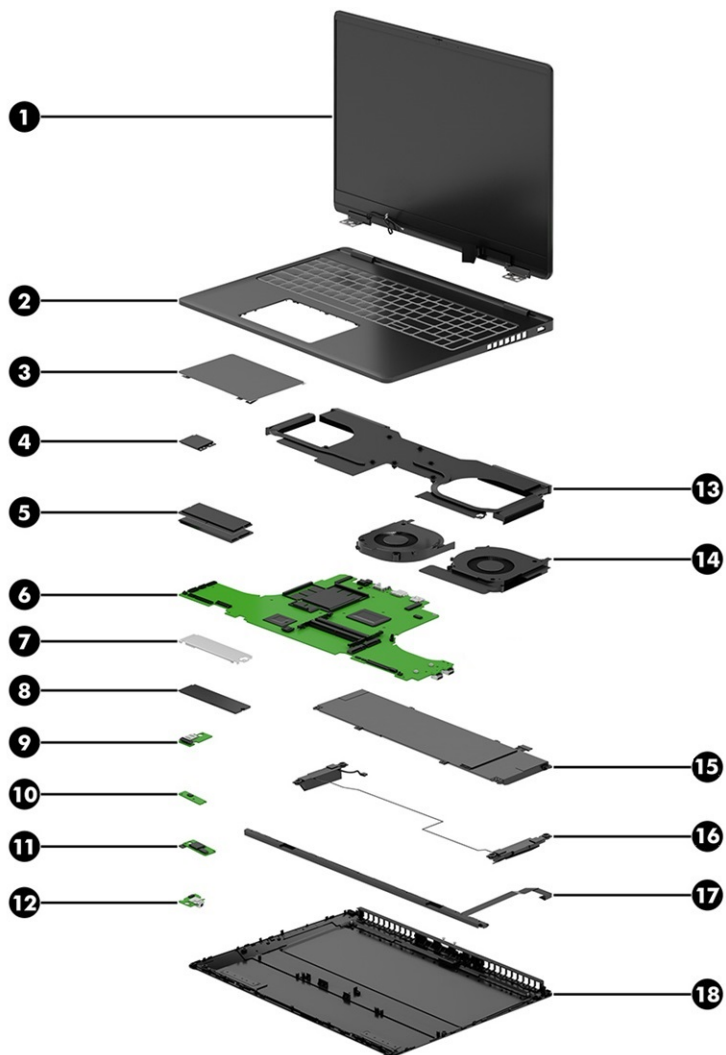


Table 3-1 Computer major component descriptions and part numbers

Item	Component	Spare part number
(1)	Display assembly	
	NOTE: Display spare parts are available only as subcomponents. For spare part information, see [Xref Error! Target does not exist.] .	
(2)	Top cover with keyboard (backlit)	
	NOTE: For a detailed list of country codes, see Top cover with keyboard on page 77 .	
	Plastic, per-key lighting, ceramic white	P32323-xx1
	Plastic, 4-zone lighting, ceramic white	P32324-xx1
	Plastic, per-key lighting, ceramic white	P32325-xx1
	Plastic, per-key lighting, shadow black	P32326-xx1
	Plastic, 4-zone lighting, shadow black	P32327-xx1
	Plastic, per-key lighting, shadow black	P32328-xx1
(3)	Touchpad (includes cable)	
	Models with 5090, 5080, or 5070Ti graphics, ceramic white	P30873-001
	Models with 5090, 5080, or 5070Ti graphics, shadow black	P30874-001
	Models with 5070 or 5060 graphics, ceramic white	P40780-001
	Models with 5070 or 5060 graphics, shadow black	P40781-001
(4)	WLAN module	
	Intel AX211 Wi-Fi 6e Bluetooth 5.2 WLAN	M53366-005
	Intel BE200 Wi-Fi 7 Bluetooth 5.4 WLAN	N39883-005
(5)	Memory module (DDR5-5600)	
	32 GB	N77400-001
	16 GB	N77399-001
	12 GB	P33447-001
	8 GB	N77398-001
(6)	System board (includes the Windows operating system)	
	Intel Core Ultra 9 275HX processor and RTX 5090 graphics	P29646-601
	Intel Core Ultra 9 275HX processor and RTX 5090 graphics (for use in the People's Republic of China [PRC])	P29663-601
	Intel Core Ultra 9 275HX processor and RTX 5080 graphics	P29654-601
	Intel Core Ultra 9 275HX processor and RTX 5080 graphics (for use in PRC)	P29662-601
	Intel Core Ultra 9 275HX processor and RTX 5070Ti graphics	P29652-601
	Intel Core Ultra 9 275HX processor and RTX 5070Ti graphics (for use in PRC)	P29660-601
	Intel Core Ultra 9 275HX processor and RTX 5070 graphics	P29650-601
	Intel Core Ultra 9 275HX processor and RTX 5070 graphics (for use in PRC)	P29658-601
	Intel Core Ultra 9 275HX processor and RTX 5060 graphics	P29648-601

Table 3-1 Computer major component descriptions and part numbers (continued)

Item	Component	Spare part number
	Intel Core Ultra 9 275HX processor and RTX 5060 graphics (for use in PRC)	P29656-601
	Intel Core Ultra 7 255HX processor and RTX 5080 graphics	P29653-601
	Intel Core Ultra 7 255HX processor and RTX 5080 graphics (for use in PRC)	P29661-601
	Intel Core Ultra 7 255HX processor and RTX 5070Ti graphics	P29651-601
	Intel Core Ultra 7 255HX processor and RTX 5070Ti graphics (for use in PRC)	P29659-601
	Intel Core Ultra 7 255HX processor and RTX 5070 graphics	P29649-601
	Intel Core Ultra 7 255HX processor and RTX 5070 graphics (for use in PRC)	P29657-601
	Intel Core Ultra 7 255HX processor and RTX 5060 graphics	P29647-601
	Intel Core Ultra 7 255HX processor and RTX 5060 graphics (for use in PRC)	P29655-601
(7)	Solid-state drive cover	not available as a spare part
(8)	Solid-state drive	
	2 TB, TLC, PCIe-4 × 4	N77396-005
	1 TB, TLC, PCIe-5 × 4	P32587-005
	1 TB, TLC, PCIe-4 × 4	N77395-005
	1 TB, PCIe-4 × 4	N77394-005
	512 GB, PCIe-4 × 4	N77392-005
(9)	USB board (includes cable)	
	Models with 5090, 5080, or 5070Ti graphics	P30857-001
	Models with 5070 or 5060 graphics	P30858-001
(10)	IR sensor board (includes cable)	
	Models with 5090, 5080, or 5070Ti graphics	P30859-001
	Models with 5070 or 5060 graphics	P30860-001
(11)	ULL board (includes cable)	
	Models with 5090, 5080, or 5070Ti graphics	P30861-001
	Models with 5070 or 5060 graphics	P30862-001
(12)	Audio board (includes cable)	
	Models with 5090, 5080, or 5070Ti graphics	P30863-001
	Models with 5070 or 5060 graphics	P30864-001
(13)	Heat sink (includes preapplied thermal grease)	
	NOTE: Thermal grease is available as spare part number P33993-001 for models with 5090, 5080, or 5070Ti graphics.	
	Thermal grease is available as spare part number P40959-001 for models with 5070 or 5060 graphics.	
	Models with 5090, 5080, or 5070Ti graphics (includes fan)	P30869-001

Table 3-1 Computer major component descriptions and part numbers (continued)

Item	Component	Spare part number
	Models with 5070 or 5060 graphics	P30870-001
(14)	Fans (models with 5070 or 5060 graphics)	P30872-001
(15)	Battery	M48025-001
(16)	Speakers (left and right)	
	Models with 5090, 5080, or 5070Ti graphics	P30867-001
	Models with 5070 or 5060 graphics	P30868-001
(17)	RGB light bar	not available as a spare part
(18)	Bottom cover	
	Models with 5090, 5080, or 5070Ti graphics, ceramic white	P30875-001
	Models with 5090, 5080, or 5070Ti graphics, shadow black	P30876-001
	Models with 5070 or 5060 graphics, ceramic white	P30877-001
	Models with 5070 or 5060 graphics, ceramic white, shadow black	P30878-001
	OLED board (not illustrated)	P30865-001

Display assembly subcomponents

To identify the display assembly subcomponents, use this illustration and table.

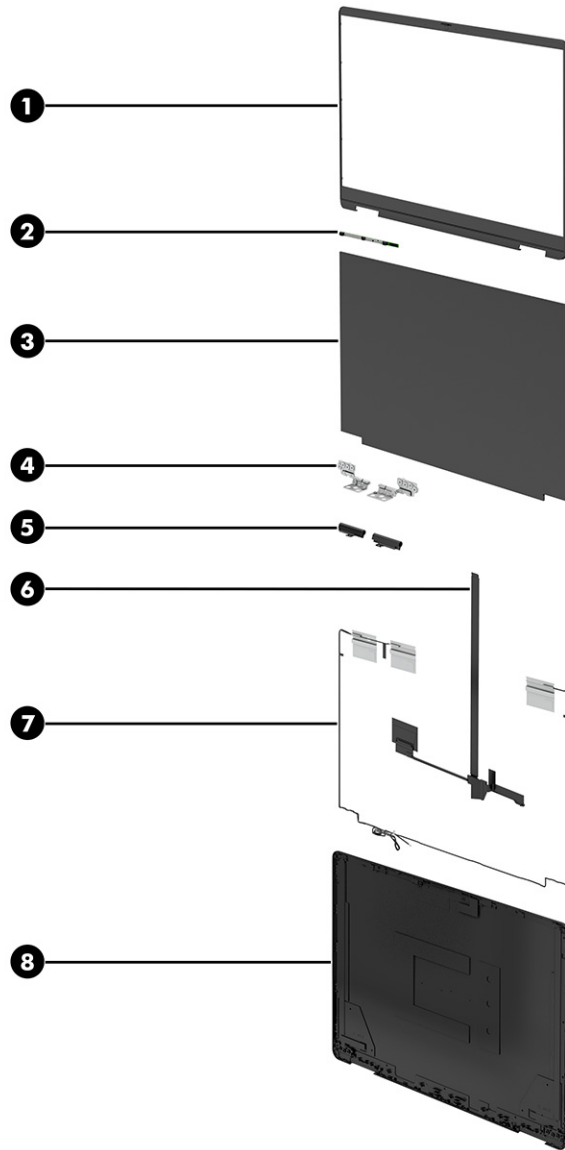


Table 3-2 Display component descriptions and part numbers

Item	Component	Spare part number
(1)	Bezel	
	Ceramic white	P30854-001
	Shadow black	P30855-001
(2)	Camera module	
	OLED models (includes rubber, cable, bezel adhesive, and tape)	P30856-001
	LCD models (includes rubber, cable, and tape)	P33158-001
(3)	Display panel (includes bezel adhesive and tape)	
	2.5K	P33154-001

Table 3-2 Display component descriptions and part numbers (continued)

Item	Component	Spare part number
	WUXGA	P33155-001
	OLED, ceramic white	P34006-001
	OLED, shadow black	P34007-001
(4)	Hinge Kit (includes left and right hinges, bezel adhesive, and tape)	
	Shadow black, LCD models with 5090, 5080, or 5070Ti graphics	P33991-001
	Shadow black, OLED models with 5090, 5080, or 5070Ti graphics	P33992-001
	Shadow black, LCD models with 5070 or 5060 graphics	P40774-001
	Shadow black, OLED models with 5070 or 5060 graphics	P40775-001
	Ceramic white, LCD models with 5090, 5080, or 5070Ti graphics	P41124-001
	Ceramic white, OLED models with 5090, 5080, or 5070Ti graphics	P41125-001
	Ceramic white, LCD models with 5070 or 5060 graphics	P41126-001
	Ceramic white, OLED models with 5070 or 5060 graphics	P41127-001
(5)	Hinge covers	available in the Hinge Kit
(6)	Display cable (includes bezel adhesive, tape, and foam)	P30879-001
(7)	WLAN antenna kit	P30880-001
(8)	Display back cover (includes antennas)	
	Ceramic white, LCD models with 5090, 5080, or 5070Ti graphics	P30850-001
	Ceramic white, OLED models with 5090, 5080, or 5070Ti graphics	P30851-001
	Ceramic white, LCD models with 5060 or 5070 graphics	P40776-001
	Ceramic white, OLED models with 5060 or 5070 graphics	P40777-001
	Shadow black, LCD models with 5090, 5080, or 5070Ti graphics	P30852-001
	Shadow black, OLED models with 5090, 5080, or 5070Ti graphics	P30853-001
	Shadow black, LCD models with 5060 or 5070 graphics	P40778-001
	Shadow black, OLED models with 5060 or 5070 graphics	P40779-001

Miscellaneous parts

To identify the miscellaneous parts, use this table.

Table 3-3 Miscellaneous part descriptions and part numbers

Component	Spare part number
AC adapter (Smart, PFC, 3 pin, 4.5 mm)	
330 W	N80119-001
280 W	M95376-001
Screw Kit	P30881-001

Table 3-3 Miscellaneous part descriptions and part numbers (continued)

Component	Spare part number
Power cord (C13, 1.83 m [6.0 ft])	
For use in Australia	M82822-001
For use in Denmark	M82829-001
For use in Europe	M82827-001
For use in India	M82824-001
For use in Israel	M82830-001
For use in Italy	M82831-001
For use in Japan	M82825-001
For use in North America	M82821-001
For use in the People's Republic of China	M82823-001
For use in South Africa	M82832-001
For use in Switzerland	M82833-001
For use in Taiwan	M82826-001
For use in the United Kingdom	M82834-001

4 Removal and replacement procedures preliminary requirements

Use this information to properly prepare to disassemble and reassemble the computer.


Tools required

You need the following tools to complete the removal and replacement procedures:

- Tweezers
- Nonconductive, nonmarking pry tool
- Magnetic Phillips P1 screwdriver

Service considerations

The following sections include some of the considerations that you must keep in mind during disassembly and assembly procedures.


 **NOTE:** As you remove each subassembly from the computer, place the subassembly and all accompanying screws away from the work area to prevent damage.

Plastic parts

Using excessive force during disassembly and reassembly can damage plastic parts.

Cables and connectors


Handle cables with extreme care to avoid damage.

 **IMPORTANT:** When servicing the computer, be sure that cables are placed in their proper locations during the reassembly process. Improper cable placement can damage the computer.

Apply only the tension required to unseat or seat the cables during removal and insertion. Handle cables by the connector whenever possible. In all cases, avoid bending, twisting, or tearing cables. Be sure that cables are routed so that they cannot be caught or snagged as you remove or replace parts. Handle flex cables with extreme care; these cables tear easily.

Drive handling

Note the following guidelines when handling drives.

 **IMPORTANT:** Drives are fragile components. Handle them with care. To prevent damage to the computer, damage to a drive, or loss of information, observe these precautions:


- Before removing or inserting a hard drive, shut down the computer. If you are unsure whether the computer is off or in Hibernation or Sleep mode, turn the computer on, and then shut it down through the operating system.

- Before handling a drive, be sure that you are discharged of static electricity. While handling a drive, avoid touching the connector.
 - Before removing an optical drive, be sure that a disc is not in the drive, and be sure that the optical drive tray is closed.
 - Handle drives on surfaces covered with at least 2.54 cm (1 inch) of shock-proof foam.
 - Avoid dropping drives from any height onto any surface.
 - After removing a hard drive or an optical drive, place it in a static-proof bag.
 - Avoid exposing an internal hard drive to products that have magnetic fields, such as monitors or speakers.
 - Avoid exposing a drive to temperature extremes or liquids.
 - If a drive must be mailed, place the drive in a bubble pack mailer or other suitable form of protective packaging, and label the package "FRAGILE."
-

Electrostatic discharge information

A sudden discharge of static electricity from your finger or other conductor can destroy static-sensitive devices or microcircuitry. Often the spark is neither felt nor heard, but damage occurs. An electronic device exposed to electrostatic discharge (ESD) might not appear to be affected at all and can work perfectly throughout a normal cycle. The device might function normally for a while, but it has been degraded in the internal layers, reducing its life expectancy.

Networks built into many integrated circuits provide some protection, but in many cases, the discharge contains enough power to alter device parameters or melt silicon junctions.

 **IMPORTANT:** To prevent damage to the device when you remove or install internal components, observe these precautions:

- Keep components in their electrostatic-safe containers until you are ready to install them.
 - Before touching an electronic component, discharge static electricity by using the guidelines described in [Personal grounding methods and equipment on page 26](#).
 - Avoid touching pins, leads, and circuitry. Handle electronic components as little as possible.
 - If you remove a component, place it in an electrostatic-safe container.
-


Generating static electricity

Follow these static electricity guidelines:

- Different activities generate different amounts of static electricity.
- Static electricity increases as humidity decreases.

Table 4-1 Static electricity occurrence based on activity and humidity

Event	55% relative humidity	40% relative humidity	10% relative humidity
Walking across carpet	7,500 V	15,000 V	35,000 V
Walking across vinyl floor	3,000 V	5,000 V	12,000 V
Motions of bench worker	400 V	800 V	6,000 V
Removing dual in-line packages (DIPs) from plastic tube	400 V	700 V	2,000 V
Removing DIPs from vinyl tray	2,000 V	4,000 V	11,500 V
Removing DIPs from polystyrene foam	3,500 V	5,000 V	14,500 V
Removing bubble pack from PCB (printed circuit board)	7,000 V	20,000 V	26,500 V
Packing PCBs in foam-lined box	5,000 V	11,000 V	21,000 V

 **NOTE:** Multiple electric components can be packaged together in plastic tubes, trays, or polystyrene foam.

 **NOTE:** As little as 700 V of static electricity can degrade a product.

Preventing electrostatic damage to equipment

Many electronic components are sensitive to ESD. Circuitry design and structure determine the degree of sensitivity.

The following packaging and grounding precautions are necessary to prevent static electricity damage to electronic components:

- To avoid hand contact, transport products in static-safe containers such as tubes, bags, or boxes.
- Protect all electrostatic parts and assemblies with conductive or approved containers or packaging.
- Keep electrostatic-sensitive parts in their containers until they arrive at static-free stations.
- Place items on a grounded surface before removing them from their container.
- Always be properly grounded when touching a sensitive component or assembly.
- Avoid contact with pins, leads, or circuitry.
- Place reusable electrostatic-sensitive parts from assemblies in protective packaging or conductive foam.

Personal grounding methods and equipment

Using certain equipment can prevent static electricity damage to electronic components.

- **Wrist straps** are flexible straps with a maximum of $1\text{ M}\Omega \pm 10\%$ resistance in the ground cords. To provide proper ground, wear a strap snug against bare skin. Verify that the ground cord is connected and fits snugly into the banana plug connector on the grounding mat or workstation.
- You can use **heel straps, toe straps, and boot straps** at standing workstations. These straps are compatible with most types of shoes or boots. On conductive floors or dissipative floor mats, use them on both feet with a maximum of $1\text{ M}\Omega \pm 10\%$ resistance between the operator and ground.

Table 4-2 Static shielding protection levels

Method	Voltage
Antistatic plastic	1,500
Carbon-loaded plastic	7,500
Metallized laminate	15,000

Grounding the work area

To prevent static damage at the work area, follow these precautions:

- Cover the work surface with approved static-dissipative material.
- Use a wrist strap connected to a properly grounded work surface and use properly grounded tools and equipment.
- Use static-dissipative mats, foot straps, or air ionizers to give added protection.
- Handle electrostatic sensitive components, parts, and assemblies by the case or PCB laminate. Handle them only at static-free work areas.
- Turn off power and input signals before inserting and removing connectors or test equipment.
- Use fixtures made of static-safe materials when fixtures must directly contact dissipative surfaces.
- Keep the work area free of nonconductive materials, such as ordinary plastic assembly aids and polystyrene foam.
- Use conductive field service tools, such as cutters, screwdrivers, and vacuums.
- Avoid contact with pins, leads, or circuitry.

Recommended materials and equipment

HP recommends certain materials and equipment to prevent static electricity:

- Antistatic tape
- Antistatic smocks, aprons, or sleeve protectors
- Conductive bins and other assembly or soldering aids
- Conductive foam
- Conductive tabletop workstations with ground cord of $1\text{ M}\Omega \pm 10\%$ resistance
- Static-dissipative table or floor mats with hard tie to ground
- Field service kits
- Static awareness labels
- Wrist straps and footwear straps providing $1\text{ M}\Omega \pm 10\%$ resistance
- Material handling packages
- Conductive plastic bags

- Conductive plastic tubes
- Conductive tote boxes
- Opaque shielding bags
- Transparent metallized shielding bags
- Transparent shielding tubes

Cleaning your computer

Cleaning your computer regularly removes dirt and debris so that your device continues to operate at its best. Use the following information to safely clean the external surfaces of your computer.

Enabling HP Easy Clean (select products only)

HP Easy Clean helps you to avoid accidental input while you clean the computer surfaces. This software disables devices such as the keyboard, touch screen, and touchpad for a preset amount of time so that you can clean all computer surfaces.


1. Start HP Easy Clean in one of the following ways:
 - Select the **Start** menu, and then select **HP Easy Clean**.
 - Select the **HP Easy Clean** icon in the taskbar.
 - Select **Start**, and then select the **HP Easy Clean** tile.
2. Now that your device is disabled for a short period, see [Removing dirt and debris from your computer on page 28](#) for the recommended steps to clean the high-touch, external surfaces on your computer. After you remove the dirt and debris, you can also clean the surfaces with a disinfectant. See [Cleaning your computer with a disinfectant on page 29](#) for guidelines to help prevent the spread of harmful bacteria and viruses.

Removing dirt and debris from your computer


Here are the recommended steps to clean dirt and debris from your computer.

For computers with wood veneer, see [Caring for wood veneer \(select products only\) on page 30](#).


1. Wear disposable gloves made of latex (or nitrile gloves, if you are latex-sensitive) when cleaning the surfaces.
2. Turn off your device and unplug the power cord and other connected external devices. Remove any installed batteries from items such as wireless keyboards.

 **CAUTION:** To prevent electric shock or damage to components, never clean a product while it is turned on or plugged in.

3. Moisten a microfiber cloth with water. The cloth should be moist, but not dripping wet.

 **IMPORTANT:** To avoid damaging the surface, avoid abrasive cloths, towels, and paper towels.

4. Wipe the exterior of the product gently with the moistened cloth.

 **IMPORTANT:** Keep liquids away from the product. Avoid getting moisture in any openings. If liquid makes its way inside your HP product, it can cause damage to the product. Do not spray liquids directly on the product. Do not use aerosol sprays, solvents, abrasives, or cleaners containing hydrogen peroxide or bleach that might damage the finish.

5. Start with the display (if applicable). Wipe carefully in one direction, and move from the top of the display to the bottom. Finish with any flexible cables, like power cord, keyboard cable, and USB cables.
6. Be sure that surfaces have completely air-dried before turning the device on after cleaning.
7. Discard the gloves after each cleaning. Clean your hands immediately after you remove the gloves.

See [Cleaning your computer with a disinfectant on page 29](#) for recommended steps to clean the high-touch, external surfaces on your computer to help prevent the spread of harmful bacteria and viruses.


Cleaning your computer with a disinfectant

The World Health Organization (WHO) recommends cleaning surfaces, followed by disinfection, as a best practice for preventing the spread of viral respiratory illnesses and harmful bacteria.


After cleaning the external surfaces of your computer using the steps in [Removing dirt and debris from your computer on page 28](#), [Caring for wood veneer \(select products only\) on page 30](#), or both, you might also choose to clean the surfaces with a disinfectant. A disinfectant that is within HP's cleaning guidelines is an alcohol solution consisting of 70% isopropyl alcohol and 30% water. This solution is also known as rubbing alcohol and is sold in most stores.


Follow these steps when disinfecting high-touch, external surfaces on your computer:

1. Wear disposable gloves made of latex (or nitrile gloves, if you are latex-sensitive) when cleaning the surfaces.
2. Turn off your device and unplug the power cord and other connected external devices. Remove any installed batteries from items such as wireless keyboards.


 **CAUTION:** To prevent electric shock or damage to components, never clean a product while it is turned on or plugged in.

3. Moisten a microfiber cloth with a mixture of 70% isopropyl alcohol and 30% water. The cloth should be moist, but not dripping wet.

 **CAUTION:** Do not use any of the following chemicals or any solutions that contain them, including spray-based surface cleaners: bleach, peroxides (including hydrogen peroxide), acetone, ammonia, ethyl alcohol, methylene chloride, or any petroleum-based materials, such as gasoline, paint thinner, benzene, or toluene.

 **IMPORTANT:** To avoid damaging the surface, avoid abrasive cloths, towels, and paper towels.

4. Wipe the exterior of the product gently with the moistened cloth.

 **IMPORTANT:** Keep liquids away from the product. Avoid getting moisture in any openings. If liquid makes its way inside your HP product, it can cause damage to the product. Do not spray liquids directly on the product. Do not use aerosol sprays, solvents, abrasives, or cleaners containing hydrogen peroxide or bleach that might damage the finish.

5. Start with the display (if applicable). Wipe carefully in one direction, and move from the top of the display to the bottom. Finish with any flexible cables, like power cord, keyboard cable, and USB cables.
6. Be sure that surfaces have completely air-dried before turning the device on after cleaning.
7. Discard the gloves after each cleaning. Clean your hands immediately after you remove the gloves.

Caring for wood veneer (select products only)

Your product might feature high-quality wood veneer. As with all natural wood products, proper care is important for best results over the life of the product. Because of the nature of natural wood, you might see unique variations in the grain pattern or subtle variations in color, which are normal.

- Clean the wood with a dry, static-free microfiber cloth or chamois.
- Avoid cleaning products containing substances such as ammonia, methylene chloride, acetone, turpentine, or other petroleum-based solvents.
- Do not expose the wood to sun or moisture for long periods of time.
- If the wood becomes wet, dry it by dabbing with an absorbent, lint-free cloth.
- Avoid contact with any substance that might dye or discolor the wood.
- Avoid contact with sharp objects or rough surfaces that might scratch the wood.

See [Removing dirt and debris from your computer on page 28](#) for the recommended steps to clean the high-touch, external surfaces on your computer. After you remove the dirt and debris, you can also clean the surfaces with a disinfectant. See [Cleaning your computer with a disinfectant on page 29](#) for sanitizing guidelines to help prevent the spread of harmful bacteria and viruses.

Packaging and transporting guidelines

Follow these grounding guidelines when packaging and transporting equipment:

- To avoid hand contact, transport products in static-safe tubes, bags, or boxes.
- Protect ESD-sensitive parts and assemblies with conductive or approved containers or packaging.
- Keep ESD-sensitive parts in their containers until the parts arrive at static-free workstations.
- Place items on a grounded surface before removing items from their containers.
- Always be properly grounded when touching a component or assembly.
- Store reusable ESD-sensitive parts from assemblies in protective packaging or nonconductive foam.
- Use transporters and conveyors made of antistatic belts and roller bushings. Be sure that mechanized equipment used for moving materials is wired to ground and that proper materials are selected to avoid static charging. When grounding is not possible, use an ionizer to dissipate electric charges.

Accessing support information

To find the HP support that you need, use this information.

Table 4-3 Support information locations



Service consideration	Path to access information
Records of reported failure incidents stored on the computer	<p>Windows:</p> <p>Pre-operating system failures are logged in the BIOS Event Log. To view the BIOS Event Log:</p> <ol style="list-style-type: none">1. Press the power button.2. Immediately and repeatedly press esc when the power button light turns white. <p>NOTE: If you do not press esc at the appropriate time, you must restart the computer and again repeatedly press esc when the power button light turns white to access the utility.</p> <ol style="list-style-type: none">3. Press f10 to enter the BIOS setup.4. Complete one of these tasks:<ul style="list-style-type: none">• (On commercial products) Under the Main tab, select BIOS event log, and then select View BIOS Event Log.• (On consumer products) Under the Main tab, select System Log. <p>Post-operating system failures are logged in the Event Viewer.</p> <ol style="list-style-type: none">1. Turn on the computer and allow the operating system to open.2. Select the search icon  in the taskbar.3. Type <code>Event Viewer</code>, and then press enter.4. Select the log from the left panel. Details display in the right panel. <p>Chrome™:</p> <ol style="list-style-type: none">1. Go to support.google.com/chrome.2. Search <code>collect Chrome device logs</code>.
Technical bulletins	<p>To locate technical bulletins:</p> <ol style="list-style-type: none">1. Go to www.hp.com.2. Place the cursor over Problem solving to display more options.3. Select Support & Troubleshooting.4. Type the serial number, product number, or product name to go to the product support page.5. Select Advisories to view technical bulletins.
Repair professionals	<p>To locate repair professionals:</p> <ol style="list-style-type: none">1. Go to www.hp.com.2. Place the cursor over Support resources to display more options.3. Select Authorized service providers.


Table 4-3 Support information locations (continued)

Service consideration	Path to access information
Component and diagnosis information, failure detection, and required action	To locate diagnosis information and actions: <ol style="list-style-type: none"><li data-bbox="676 310 1439 342">1. Go to http://www.hp.com/go/techcenter/pcdiags.<li data-bbox="676 359 1439 390">2. Select Get Support.<li data-bbox="676 407 1439 464">3. Near the bottom of the window, select Notebook PCs, and then select your location.

5 Removal and replacement procedures for Customer Self-Repair parts


This chapter provides removal and replacement procedures for Customer Self-Repair parts.


 **NOTE:** The Customer Self-Repair program is not available in all locations. Installing a part that is not supported by the Customer Self-Repair program can void your warranty. Check your warranty to determine whether Customer Self-Repair is supported in your location.

 **NOTE:** The [HP Support YouTube Channel](#) (in English) has videos that provide step-by-step removal and replacement instructions for many common parts and models.

Component replacement procedures

To remove and replace computer components, use these procedures.

 **NOTE:** Details about your computer, including model, serial number, product key, and length of warranty, are on the service tag at the bottom of your computer.

 **NOTE:** HP continually improves and changes product parts. For complete and current information about supported parts for your computer, go to <https://partsurfer.hp.com/>, select your country or region, and then follow the on-screen instructions.

Make special note of each screw size and location during removal and replacement.

Preparation for disassembly

To remove and replace computer components, use these procedures:

See [Removal and replacement procedures preliminary requirements on page 24](#) for initial safety procedures.

1. Turn off the computer. If you are unsure whether the computer is off or in Hibernation, turn the computer on, and then shut it down through the operating system.
2. Disconnect the power from the computer by unplugging the power cord from the computer.
3. Disconnect all external devices from the computer.

Bottom cover

To remove the bottom cover, use this procedure and illustration.

Table 5-1 Bottom cover descriptions and part numbers

Description	Spare part number
Models with 5090, 5080, or 5070Ti graphics, ceramic white	P30875-001
Models with 5090, 5080, or 5070Ti graphics, shadow black	P30876-001
Models with 5070 or 5060 graphics, ceramic white	P30877-001


Table 5-1 Bottom cover descriptions and part numbers (continued)

Description	Spare part number
Models with 5070 or 5060 graphics, ceramic white, shadow black	P30878-001

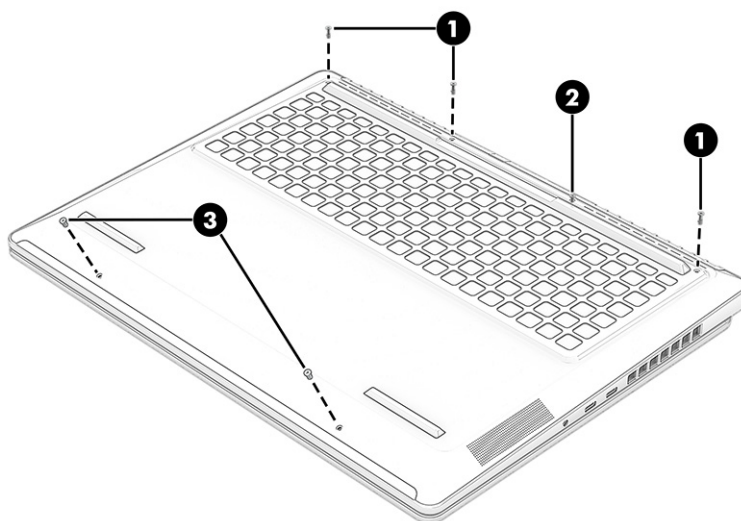
Before removing the bottom cover, prepare the computer for disassembly (see [Preparation for disassembly on page 33](#)).

Remove the bottom cover:

1. Position the computer upside down.
2. Remove the three Phillips M2.5 × 7.0 screws **(1)** from the top of the bottom cover.
3. Loosen the captive screw **(2)** at the top of the bottom cover.

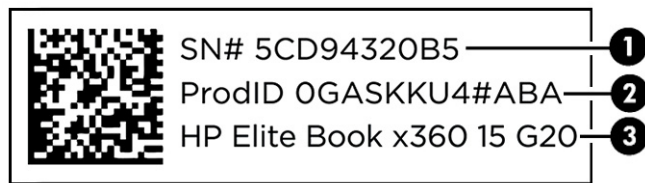
 **NOTE:** The bottom cover includes a captive (not removable) screw that causes the cover to pop up when you loosen the screw. **After the cover pops up, do not continue to loosen the captive screw.**

4. Remove the two Phillips M2.5 × 4.0 screws **(3)** from the bottom of the bottom cover.

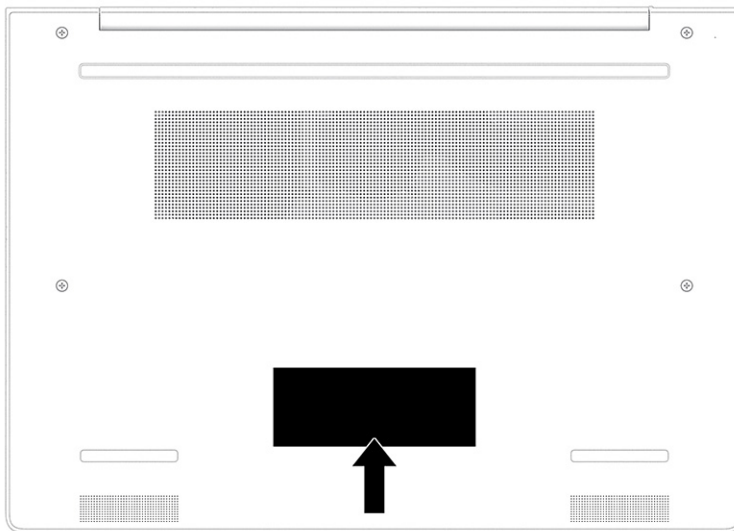


Hand write the product information onto the label of the new bottom cover. Use a ballpoint pen or marker to avoid smudging.

Example of label information



New bottom cover label location



Battery

The battery removal procedure differs depending on whether you are removing and replacing the existing battery or installing a new battery. To install a new battery, you must use a revive kit.

- To remove and replace the existing battery, see [Removing and reinstalling the same battery on page 36](#).
- To install a new battery, see [Installing a new battery on page 38](#).

Removing and reinstalling the same battery

To remove the battery, use this procedure and illustration.

⚠ WARNING! To avoid personal injury and damage to the product:

- Do *not* puncture, twist, or crack the battery.
- Do *not* cause an external puncture or rupture to the battery, which can cause a short inside the battery that can result in battery thermal runaway.

- Do *not* handle or touch the battery enclosure with sharp objects such as tweezers or pliers, which might puncture the battery.
- Do *not* compress or squeeze the battery case with tools or heavy objects stacked on top of the case. These actions can apply undue force on the battery.
- Do *not* touch the connectors with any metallic surface or object, such as metal tools, screws, or coins, which can cause shorting across the connectors.

For additional battery information, see the *Regulatory, Safety, and Environmental Notices*. To access this guide, select the **Search** icon in the taskbar, type **HP Documentation** in the search box, and then select **HP Documentation**.

Before removing the battery, follow these steps:

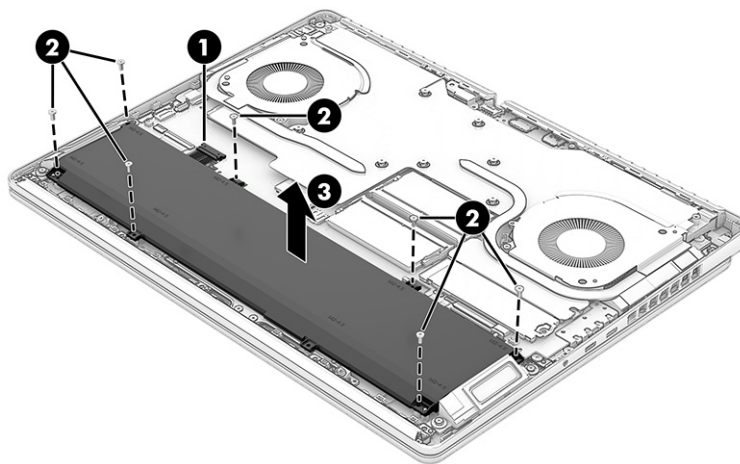
1. Prepare the computer for disassembly (see [Preparation for disassembly on page 33](#)).
2. Remove the bottom cover (see [Bottom cover on page 33](#)).

⚠ WARNING! To reduce potential safety issues, use only the user-replaceable battery provided with the computer, a replacement battery provided by HP, or a compatible battery purchased from HP.

📌 IMPORTANT: Removing a battery that is the sole power source for the computer can cause loss of information. To prevent loss of information, save your work or shut down the computer through Windows before you remove the battery.

Remove the battery:

1. Disconnect the battery cable **(1)** from the system board.
2. Remove the seven Phillips M2.0 × 4.5 screws **(2)** that secure the battery to the computer.
3. Remove the battery **(3)**.



To install the battery, reverse the removal procedures.

📌 NOTE: When reinstalling the battery, be sure to completely reassemble the computer and plug in the AC adapter before turning the computer on.

Installing a new battery


To install a battery, use these procedures and illustrations. You must use a revive kit to remove the old battery and install a new one. The revive kit includes an empty containment tray and a containment tray with a battery preinstalled.

Table 5-2 Battery description and part number

Description	Spare part number
Battery	M48025-001


Before starting this replacement procedure:

- Ensure other individuals are sufficiently clear of your workspace.
- Ensure your workspace is clear of any flammable material such as paper or oils.
- Locate the nearest ABC dry chemical fire-extinguisher for use in an emergency.

 **WARNING!** This procedure requires removing the battery or disconnecting the battery cable. Use care to avoid bending, twisting, or puncturing the battery regardless of its condition. Failure to follow this replacement guide or to use HP recommended tools might damage the system and/or cause a safety hazard.


- Do *not* remove the battery from the containment tray.
- Do *not* handle or touch the battery enclosure with sharp objects such as tweezers or pliers, which might puncture the battery.
- Do *not* touch the connectors with any metallic surface or object, such as metal tools, screws, or coins, which can cause shorting across the connectors.


Should a part become stuck or difficult to remove when opening a unit where a swollen battery is suspected, or if the battery becomes stuck in the unit, stop, and contact HP Support for assistance. Do not try to remove a battery by force.

 **NOTE:** Screw locations, latch locations, and internal components might vary.

Before removing the battery, follow these steps:

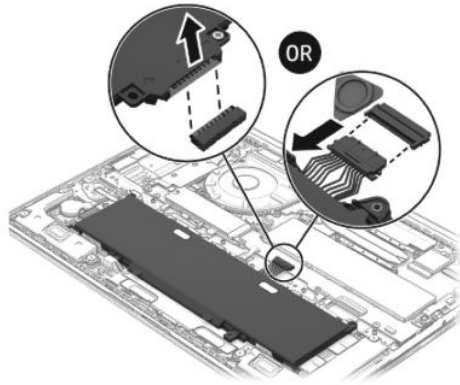
1. Prepare the computer for disassembly (see [Preparation for disassembly on page 33](#)).
2. Remove the bottom cover (see [Bottom cover on page 33](#)).

 **WARNING!** To reduce potential safety issues, use only the user-replaceable battery provided with the computer, a replacement battery provided by HP, or a compatible battery purchased from HP.

 **IMPORTANT:** Removing a battery that is the sole power source for the computer can cause loss of information. To prevent loss of information, save your work or shut down the computer through Windows before you remove the battery.

1. Remove the battery using the revive kit:

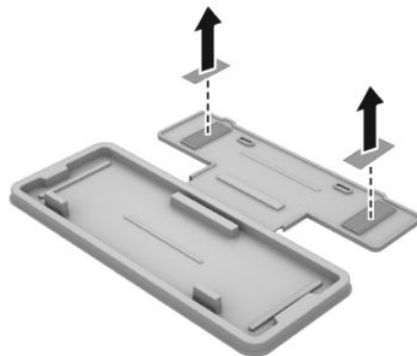
- a. Disconnect the battery cable from the system board. The connector location might vary.



- b. Open the empty battery containment tray.

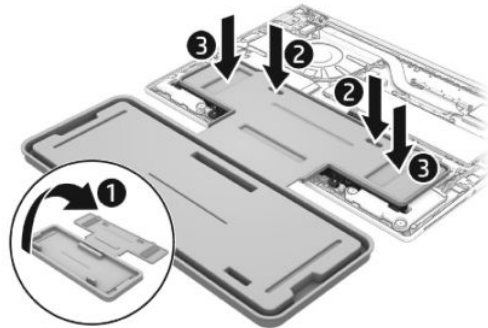


- c. Remove the paper backing layer from the adhesive on the tray.

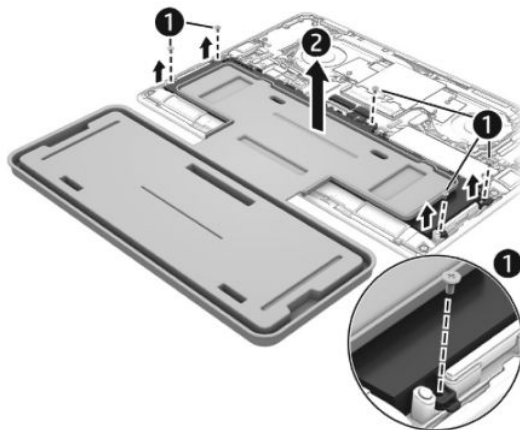


- d. Turn the tray (1) over so that the adhesive is facing down.
- e. Place the tray (2) centered on the battery.

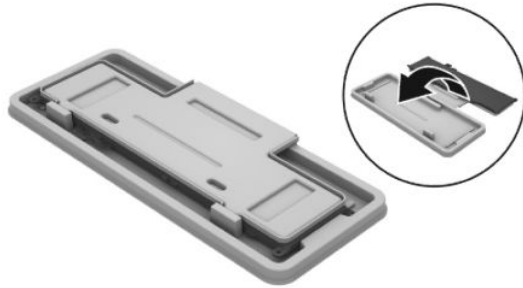
- f. Press down on the indentations on the tray (3) to adhere it to the battery.




- g. Remove the Phillips screws (1) that secure the battery to the computer. Number of screws and screw locations might vary.
- h. Lift the top of the tray (2) to remove the battery from the computer.

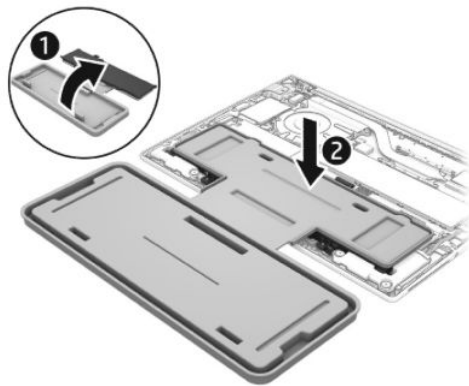


- i. Rotate the battery up and over into the cavity of the containment tray.



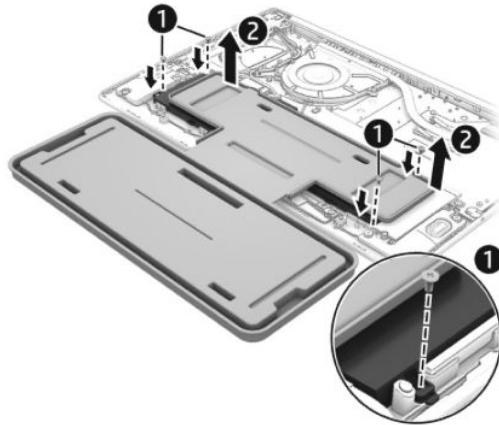
 **NOTE:** Please recycle responsibly. For more information about recycling programs, see the HP website at <http://www.hp.com/recycle>.

2. Install the battery using the revive kit:
 - a. Open the containment tray that includes the new battery.
 - b. Turn the tray (1) over so the battery is facing downward, and then insert the battery (2) into the computer. Adhesive secures the battery to the tray.

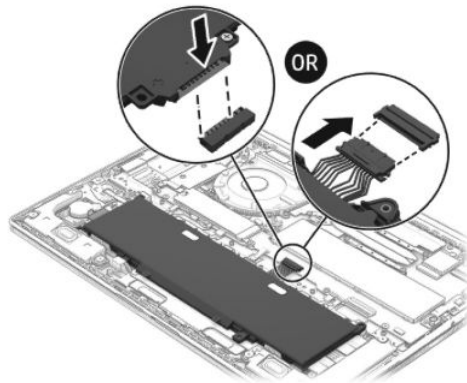


- c. Install the Phillips screws (1) to secure the battery. Number of screws and screw locations might vary.

- d. Lift the containment tray (2) off the battery.



- e. Connect the battery cable to the system board. The connector location might vary.



NOTE: When replacing the battery, be sure to completely reassemble the computer and plug in the AC adapter before turning the computer on.

Solid-state drive

To remove the solid-state drive (SSD), use this procedure and illustration.

Table 5-3 SSD descriptions and part numbers

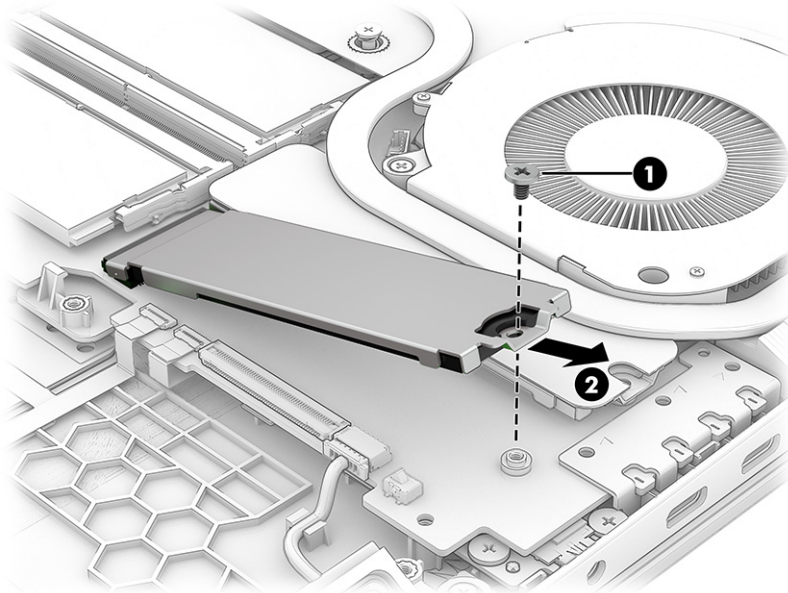
Description	Spare part number
2 TB, TLC, PCIe-4 × 4	N77396-005
1 TB, TLC, PCIe-5 × 4	P32587-005
1 TB, TLC, PCIe-4 × 4	N77395-005
1 TB, PCIe-4 × 4	N77394-005
512 GB, PCIe-4 × 4	N77392-005

Before removing the secondary SSD, follow these steps:


1. Prepare the computer for disassembly (see [Preparation for disassembly on page 33](#)).
2. Remove the bottom cover (see [Bottom cover on page 33](#)).
3. Disconnect the battery cable from the system board (see [Removing and reinstalling the same battery on page 36](#)).

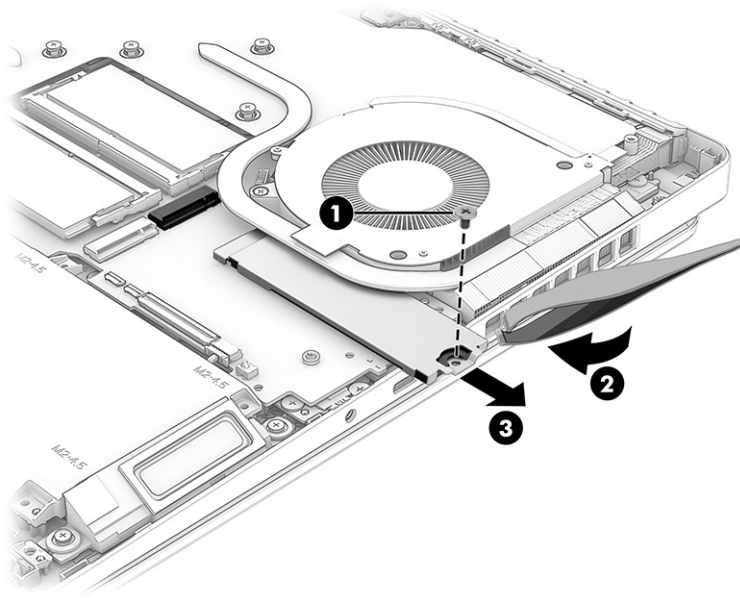
Remove the secondary SSD:

1. **Secondary SSD:** Remove the Phillips screw (1) from the SSD cover, and then pull the cover (2) with the SSD attached away from the connector.

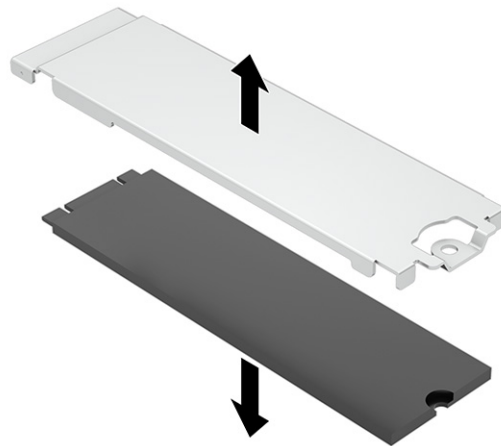


2. **Primary SSD, models with 5070 or 5060 graphics:** Remove the Phillips screw (1), and then use tweezers (2) to pull the drive assembly (3) out from under the heat sink and out of the slot.

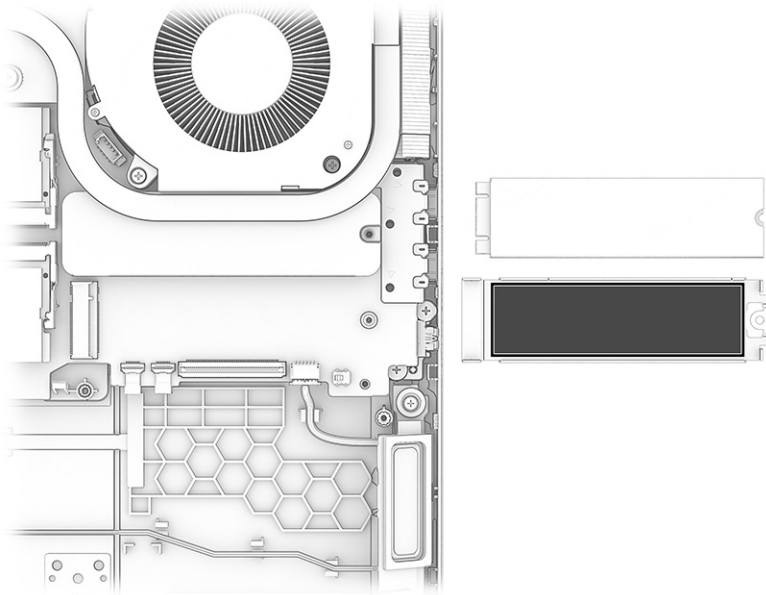
 **NOTE:** This step is not applicable in models with 5070Ti, 5080, or 5090 graphics. If necessary, contact your HP authorized service partner.



3. Separate the SSD from the cover.

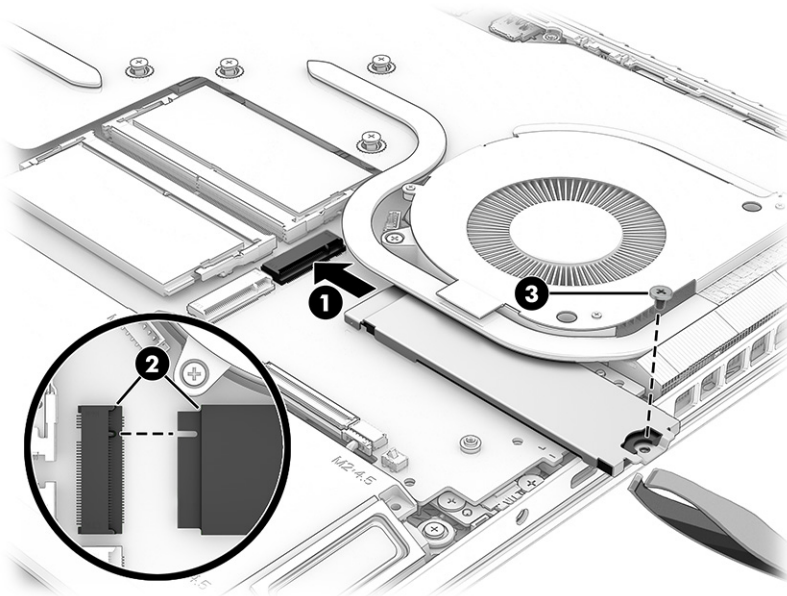


When installing a drive, be sure a thermal pad is installed on the bottom side of the bracket.



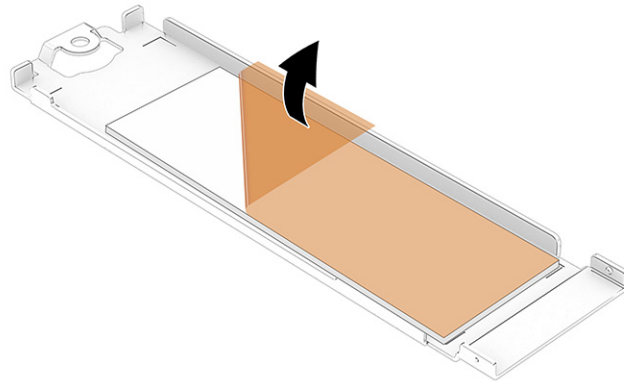
When installing SSDs:

Primary SSD on models with 5070 or 5060 graphics: Slide the assembly (1) under the heat sink until it approaches the slot (2) on the system board, and then install the screw (3).

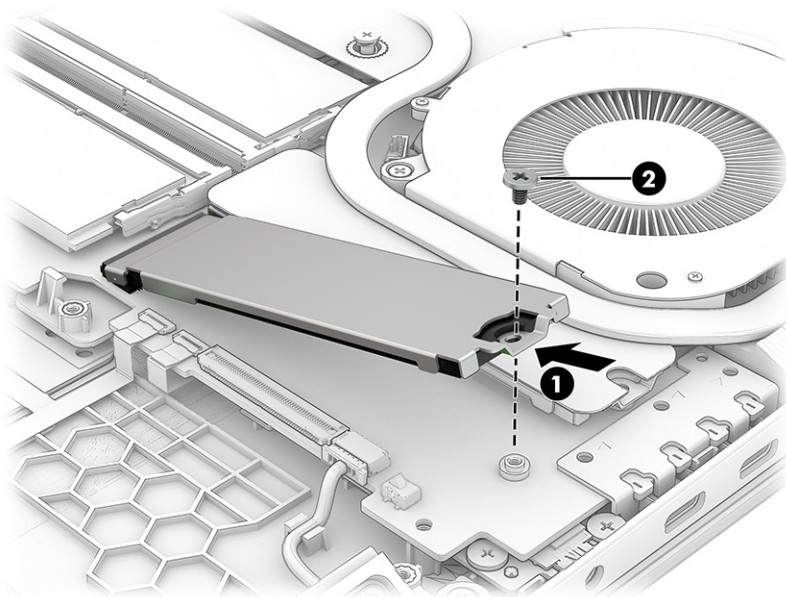



Secondary SSD:

1. If installing a new SSD in an empty secondary SSD slot, remove the film from the thermal pad on the cover.



2. Insert the SSD (1) into the system board socket, and then install the Phillips screw (2).



 **NOTE:** SSDs are designed with a notch to prevent incorrect insertion.

Memory modules

To remove the memory modules, use this procedure and illustration.

Table 5-4 Memory module descriptions and part numbers

Description	Spare part number
32 GB	N77400-001
16 GB	N77399-001

Table 5-4 Memory module descriptions and part numbers (continued)


Description	Spare part number
12 GB	P33447-001
8 GB	N77398-001

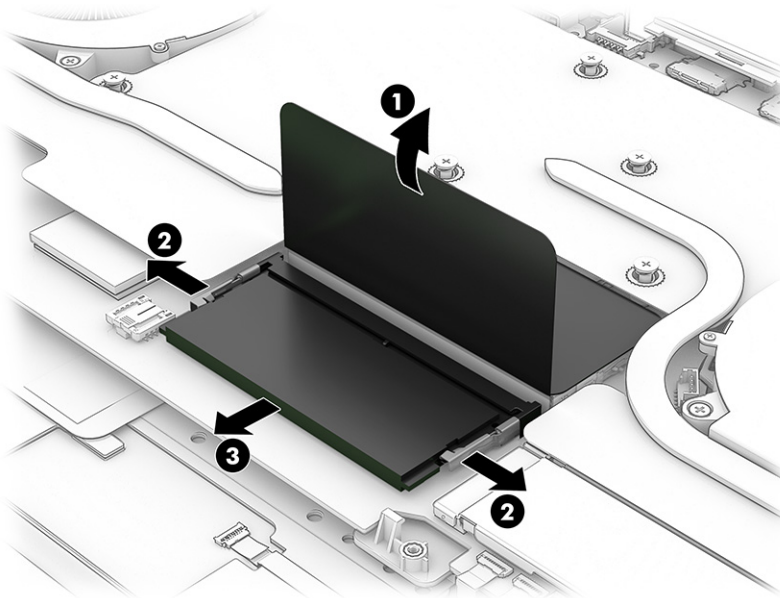
Before removing the memory, follow these steps:

1. Prepare the computer for disassembly (see [Preparation for disassembly on page 33](#)).
2. Remove the bottom cover (see [Bottom cover on page 33](#)).
3. Disconnect the battery cable from the system board (see [Removing and reinstalling the same battery on page 36](#)).

If you are replacing a memory module, remove the existing memory module:

1. Lift the protective cover **(1)** from the memory modules.
2. Spread the two retention clips **(2)** outward until the memory module tilts up, and then remove the module **(3)**. Use the same procedure to remove all memory modules.

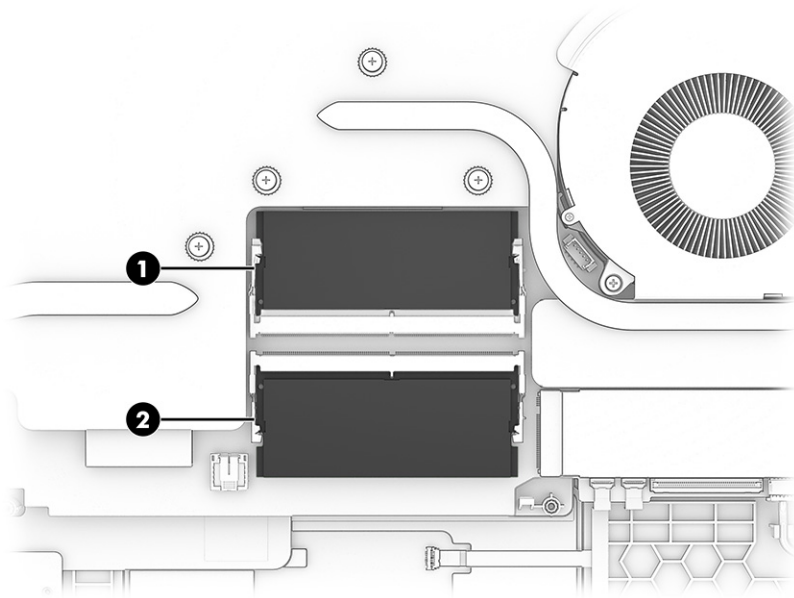
 **IMPORTANT:** To prevent damage to the memory module, hold the memory module by the edges only. Do not touch the components on the memory module.



To protect a memory module after removal, place it in an electrostatic-safe container.


To install a memory module, reverse these procedures.


When installing memory modules, install the top module **(1)** upside down. Install the bottom module **(2)** upright.




6 Removal and replacement procedures for authorized service provider parts

This chapter provides removal and replacement procedures for authorized service provider parts.


 **IMPORTANT:** Only an authorized service provider should access the components described in this chapter. Accessing these parts can damage the computer or void the warranty.

 **NOTE:** Details about your computer, including model, serial number, product key, and length of warranty, are on the service tag at the bottom of your computer.

 **NOTE:** The [HP Support YouTube Channel](#) (in English) has videos that provide step-by-step removal and replacement instructions for many common parts and models.

Component replacement procedures

To remove and replace computer components, use the procedures described in this section.

 **NOTE:** HP continually improves and changes product parts. For complete and current information about supported parts for your computer, go to <https://partsurfer.hp.com/>, select your country or region, and then follow the on-screen instructions.


Make special note of each screw size and location during removal and replacement.

WLAN module

To remove the WLAN module, use this procedure and illustration.

Table 6-1 WLAN module descriptions and part numbers

Description	Spare part number
Intel AX211 Wi-Fi 6e Bluetooth 5.2 WLAN	M53366-005
Intel BE200 Wi-Fi 7 Bluetooth 5.4 WLAN	N39883-005

 **IMPORTANT:** To prevent an unresponsive system, replace the wireless module only with a wireless module authorized for use in the computer by the governmental agency that regulates wireless devices in your country or region. If you replace the module and then receive a warning message, remove the module to restore device functionality, and then contact technical support.

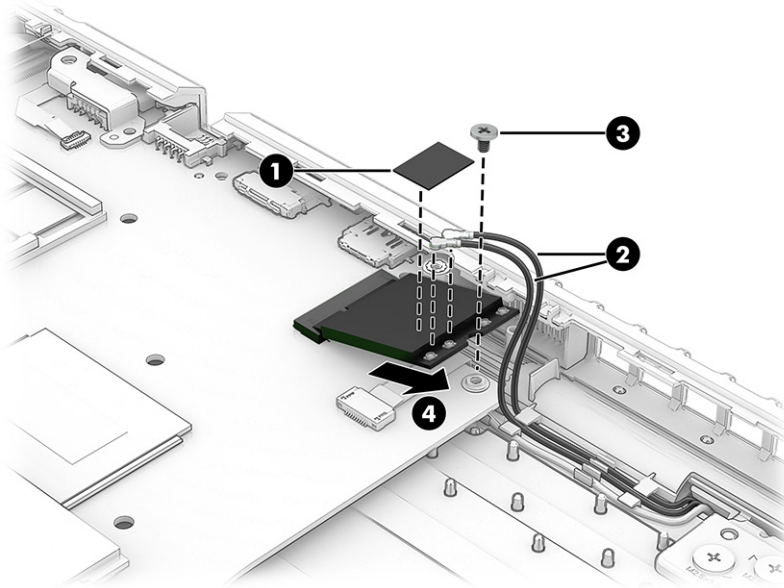
Before removing the WLAN module, follow these steps:

1. Prepare the computer for disassembly (see [Preparation for disassembly on page 33](#)).
2. Remove the bottom cover (see [Bottom cover on page 33](#)).
3. Disconnect the battery cable from the system board (see [Removing and reinstalling the same battery on page 36](#)).

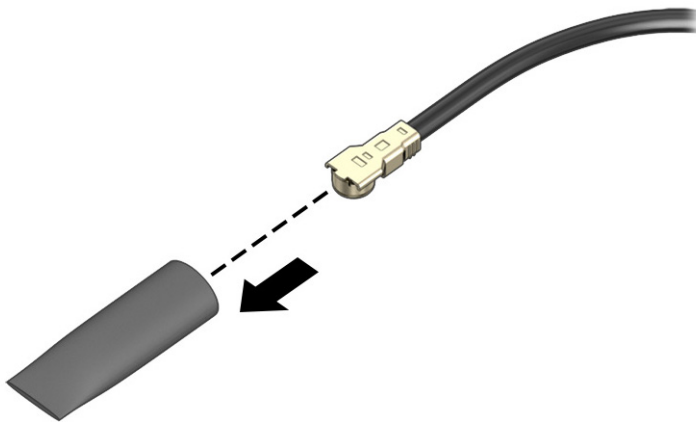
4. Remove the heat sink (see [Heat sink/fan assembly on page 52](#)).

Remove the WLAN module:

1. Remove the cover (1) that protects the antenna connectors on the WLAN module.
2. Carefully disconnect the antenna cables (2) from the module.
3. Remove the Phillips M2.0 × 2.5 screw (3) from the module.
4. Pull the module (4) out of the socket to remove it.



5. If the WLAN antenna is not connected to the terminal on the WLAN module, install a protective sleeve on the antenna connector, as shown in the following illustration.



To install the WLAN module, reverse this procedure.

Speakers

To remove the speakers, use this procedure and illustration.

Table 6-2 Speakers descriptions and part numbers


Description	Spare part number
Models with 5090, 5080, or 5070Ti graphics	P30867-001
Models with 5070 or 5060 graphics	P30868-001

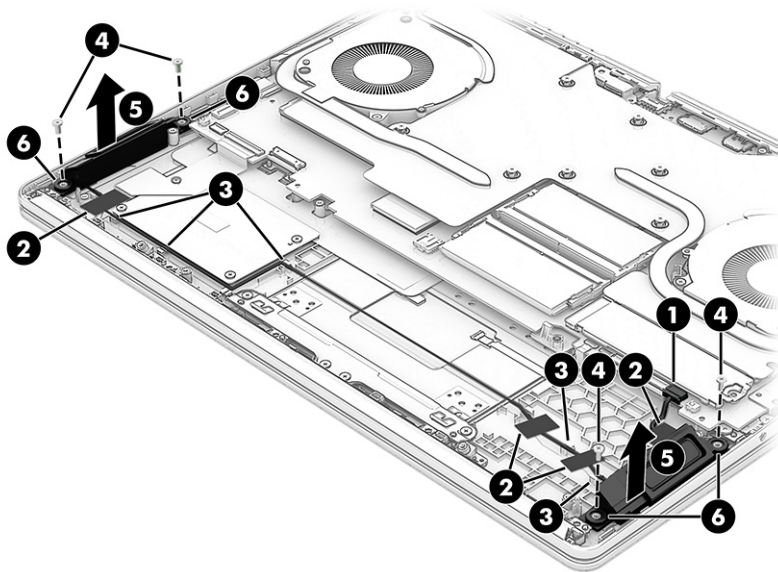
Before removing the speakers, follow these steps:

1. Prepare the computer for disassembly (see [Preparation for disassembly on page 33](#)).
2. Remove the bottom cover (see [Bottom cover on page 33](#)).
3. Remove the battery (see [Removing and reinstalling the same battery on page 36](#)).

Remove the speakers:

1. Disconnect the speaker cable (1) from the system board.
2. Remove the speaker cable from the tape (2) and clips (3).
3. Remove the two Phillips M1.6 × 3.0 screws (4) that secure each speaker to the computer.
4. Remove the speakers from the computer (5).

 **NOTE:** When removing the speakers, make note of the location of the rubber isolators (6). The absence of or damage to these isolators can result in degraded speaker performance.



To install the speakers, reverse this procedure.

USB board cable

To remove the USB board cable, use this procedure and illustration.

Table 6-3 USB board cable description and part number

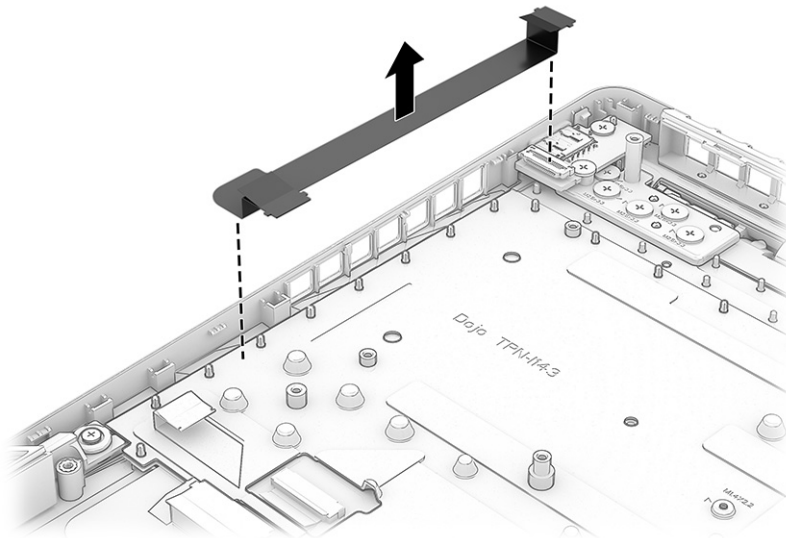
Description	Spare part number
Models with 5090, 5080, or 5070Ti graphics	P30859-001
Models with 5070 or 5060 graphics	P30860-001

Before removing the USB board cable, follow these steps:

1. Prepare the computer for disassembly (see [Preparation for disassembly on page 33](#)).
2. Remove the bottom cover (see [Bottom cover on page 33](#)).
3. Remove the battery (see [Removing and reinstalling the same battery on page 36](#)).
4. Remove the system board (see [System board on page 56](#)).

Remove the USB board cable:

1. If connected to the USB board, disconnect the cable from the ZIF connector.
2. Peel the cable off the computer.



To install the USB board cable, reverse this procedure.

Heat sink/fan assembly

To remove the heat sink/fan assembly, use this procedure and illustration.

Table 6-4 Heat sink/fan assembly description and part number

Description	Spare part number
Heat sink, models with 5090, 5080, or 5070Ti graphics (includes fan and preapplied thermal grease)	P30869-001

Table 6-4 Heat sink/fan assembly description and part number (continued)

Description	Spare part number
Heat sink, models with 5070 or 5060 graphics (includes preapplied thermal grease	P30870-001

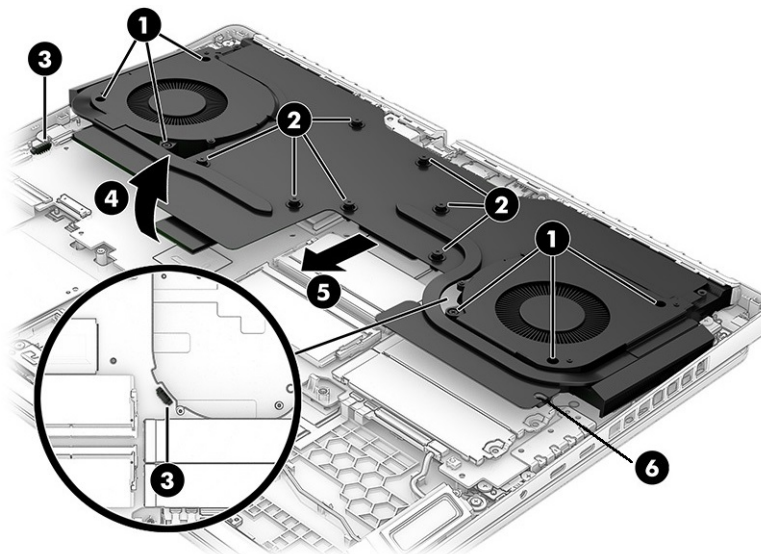
 **NOTE:** You do not have to remove the heat sink before you remove the system board.

Before removing the heat sink/fan assembly, follow these steps:

1. Prepare the computer for disassembly (see [Preparation for disassembly on page 33](#)).
2. Remove the bottom cover (see [Bottom cover on page 33](#)).
3. Disconnect the battery cable from the system board (see [Removing and reinstalling the same battery on page 36](#)).

Remove the heat sink/fan assembly:

1. Loosen the six captive Phillips screws (1) from the fans.
2. In the order indicated on the heat sink, loosen the seven captive Phillips screws (2).
3. Disconnect both fan cables from the system board connectors (3).
4. Lift the bottom of the heat sink/fan assembly (4) up, and then pull the assembly (5) into the computer to remove it.
5. On models with 5070Ti, 5080, or 5090 graphics, remove the screw (6) from the SSD cover that is soldered onto the heat sink.



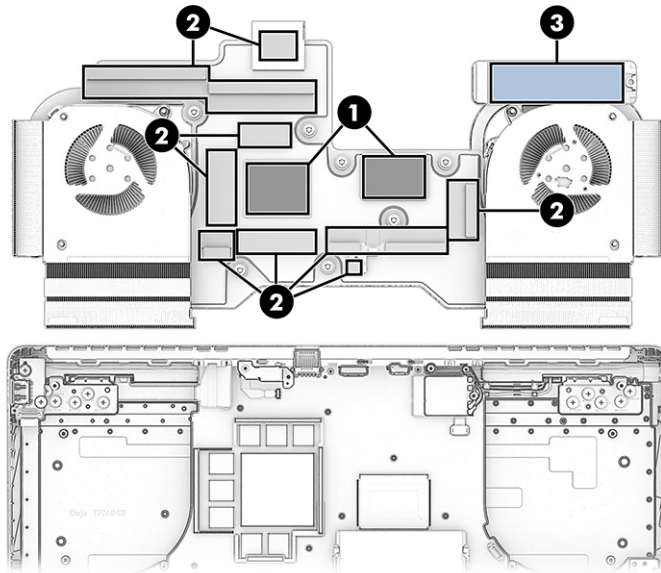
6. Each time the heat sink is removed, thoroughly clean and replace the gray thermal grease (1) and white thermal grease (2) from the surface of the heat sink and system board. You do not need to replace the thermal pads (3). Different thermal modules are available depending on processor and

graphics. The primary SSD cover is soldered on the thermal module only on models with 5070Ti, 5080, and 5090 graphics.

Models with 5070Ti, 5080 and 5090 graphics: Replace the two square sealing foam pieces around the gray thermal grease on the heat sink. Reapply the grease using the included prefilled syringe to approximately 0.3 mm thickness* on the inner area of the foam pieces, making sure the grease does not squeeze out of the sealing foam pieces after the heat sink is assembled onto the system board. You must contain the new thermal grease in a sealed space (do not let it leak onto the system board) to avoid damage to the system board. Thoroughly clean the gray and white grease from system boards that you plan to recycle, because the gray grease will no longer be in a sealed space, and the white grease hardens over time, making it difficult to remove during onboard device replacement.

To apply the grease at the proper 0.3 mm thickness:

- a. Fold a standard A4 sheet of paper into fourths.
- b. Create a grease containing area by cutting a rectangular hole in the folded paper deck that is the same size as the processor and graphics chip die surfaces.
- c. Align the hole to the processor or graphics die surfaces, and while holding the paper deck still, squeeze the thermal grease out of the syringe into the containing area.
- d. Scrape the excess grease flat with a ruler or a plastic card to spread it out and fill the containment area evenly.



To install the heat sink/fan assembly, reverse this procedure.

Fans (models with 5070 or 5060 graphics)

To remove the fans, use this procedure and illustration.

Table 6-5 Fan description and part number

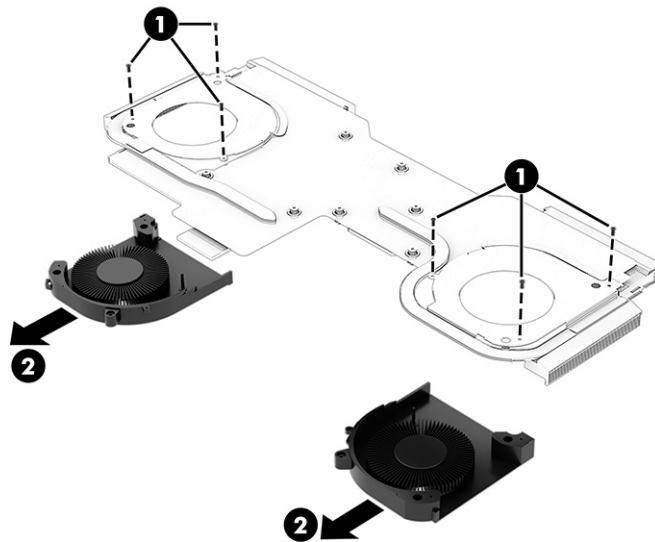
Description	Spare part number
Fan kit (models with 5070 or 5060 graphics)	P30872-001

Before removing the fans, follow these steps:

1. Prepare the computer for disassembly (see [Preparation for disassembly on page 33](#)).
2. Remove the bottom cover (see [Bottom cover on page 33](#)).
3. Disconnect the battery cable from the system board (see [Removing and reinstalling the same battery on page 36](#)).
4. Remove the heat sink (see [Heat sink/fan assembly on page 52](#)).

Remove the fans:

1. Position the heat sink upright.
2. Remove three Phillips M2.0 × 4.0 screws (1) from each fan.
3. Remove the fans (2) from the heat sink.



To install the fans, reverse this procedure.

Solid-state drive, primary, models with 5070Ti, 5080, or 5090 graphics

To remove the primary solid-state drive (SSD), use this procedure and illustration. The primary SSD is located under the heat sink on models with 5070Ti, 5080, or 5090 graphics.

Table 6-6 SSD descriptions and part numbers

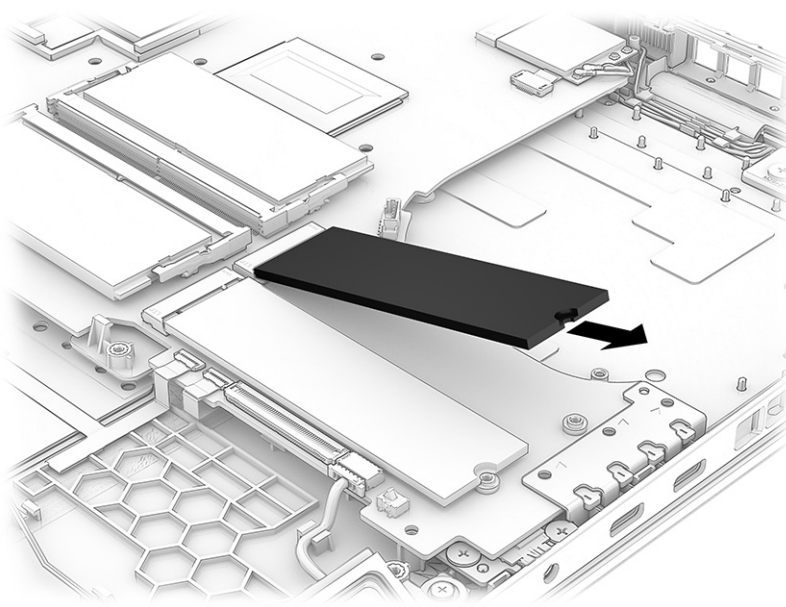
Description	Spare part number
2 TB, TLC, PCIe-4 × 4	N77396-005
1 TB, TLC, PCIe-5 × 4	P32587-005
1 TB, TLC, PCIe-4 × 4	N77395-005
1 TB, PCIe-4 × 4	N77394-005
512 GB, PCIe-4 × 4	N77392-005

Before removing the primary SSD, follow these steps:

1. Prepare the computer for disassembly (see [Preparation for disassembly on page 33](#)).
2. Remove the bottom cover (see [Bottom cover on page 33](#)).
3. Disconnect the battery cable from the system board (see [Removing and reinstalling the same battery on page 36](#)).
4. Remove the heat sink/fan assembly (see [Heat sink/fan assembly on page 52](#)).

Remove the primary SSD:

- Pull the drive out of the slot.



To install the SSD, reverse the removal procedures.



NOTE: SSDs are designed with a notch to prevent incorrect insertion.

System board

To remove the system board, use these procedures and illustrations.

Table 6-7 System board descriptions and part numbers

Description	Spare part number
System board (includes the Windows operating system)	
Intel Core Ultra 9 275HX processor and RTX 5090 graphics	P29646-601
Intel Core Ultra 9 275HX processor and RTX 5090 graphics (for use in the People's Republic of China [PRC])	P29663-601
Intel Core Ultra 9 275HX processor and RTX 5080 graphics	P29654-601
Intel Core Ultra 9 275HX processor and RTX 5080 graphics (for use in PRC)	P29662-601
Intel Core Ultra 9 275HX processor and RTX 5070Ti graphics	P29652-601

Table 6-7 System board descriptions and part numbers (continued)

Description	Spare part number
Intel Core Ultra 9 275HX processor and RTX 5070Ti graphics (for use in PRC)	P29660-601
Intel Core Ultra 9 275HX processor and RTX 5070 graphics	P29650-601
Intel Core Ultra 9 275HX processor and RTX 5070 graphics (for use in PRC)	P29658-601
Intel Core Ultra 9 275HX processor and RTX 5060 graphics	P29648-601
Intel Core Ultra 9 275HX processor and RTX 5060 graphics (for use in PRC)	P29656-601
Intel Core Ultra 7 255HX processor and RTX 5080 graphics	P29653-601
Intel Core Ultra 7 255HX processor and RTX 5080 graphics (for use in PRC)	P29661-601
Intel Core Ultra 7 255HX processor and RTX 5070Ti graphics	P29651-601
Intel Core Ultra 7 255HX processor and RTX 5070Ti graphics (for use in PRC)	P29659-601
Intel Core Ultra 7 255HX processor and RTX 5070 graphics	P29649-601
Intel Core Ultra 7 255HX processor and RTX 5070 graphics (for use in PRC)	P29657-601
Intel Core Ultra 7 255HX processor and RTX 5060 graphics	P29647-601
Intel Core Ultra 7 255HX processor and RTX 5060 graphics (for use in PRC)	P29655-601



NOTE: You do not have to remove the heat sink before you remove the system board.

Before removing the system board, follow these steps:

1. Prepare the computer for disassembly (see [Preparation for disassembly on page 33](#)).
2. Remove the bottom cover (see [Bottom cover on page 33](#)).
3. Remove the battery (see [Removing and reinstalling the same battery on page 36](#)).
4. Remove the heat sink (see [Heat sink/fan assembly on page 52](#)).

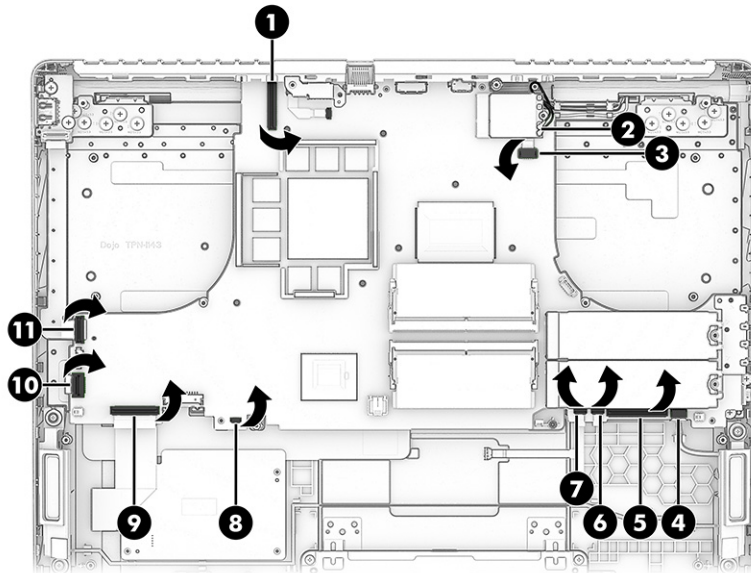
When you replace the system board, be sure to remove the following components (as applicable) from the defective system board and install them on the replacement system board:

- Secondary solid-state drive (see [Solid-state drive on page 42](#)).
- Memory modules (see [Memory modules on page 46](#)).
- WLAN module (see [WLAN module on page 49](#)).
- Primary solid-state drive (see [Solid-state drive, primary, models with 5070Ti, 5080, or 5090 graphics on page 55](#)).

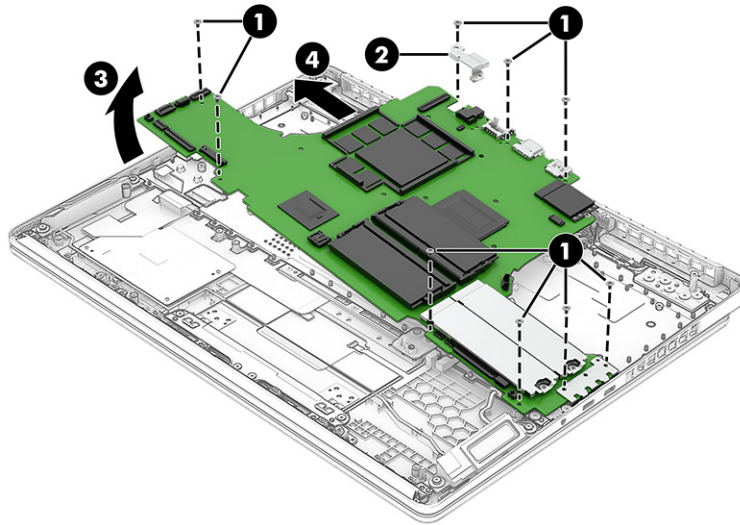
Remove the system board:

1. Disconnect the following cables from the system board:
 - Display cable **(1)** (ZIF)
 - Wireless antenna cables from the WLAN module **(2)**
 - ULL Bluetooth module cable **(3)** (ZIF)

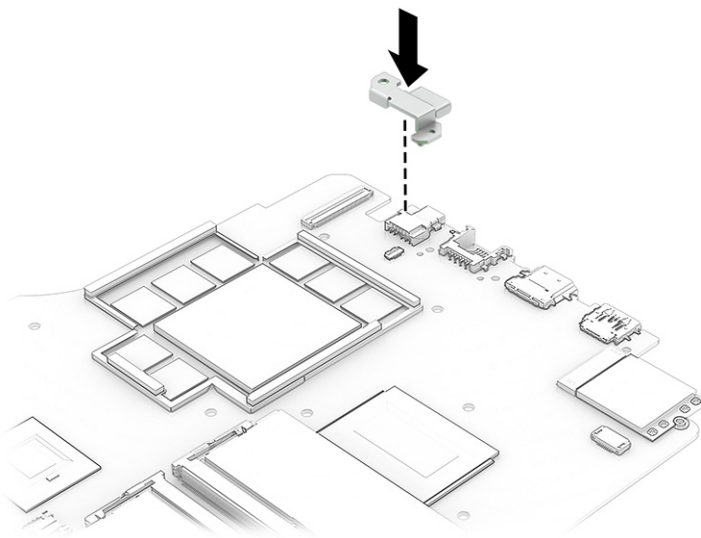
- Speaker cable (4)
- Keyboard cable (ZIF) (5)
- Audio board cable (ZIF) (6)
- Touchpad cable (ZIF) (7)
- IR sensor board (ZIF) (8)
- Keyboard RGB backlight cable (ZIF) (9)
- RGB light bar (ZIF) (10)
- USB board cable (ZIF) (11)



2. Remove the nine Phillips M2.0 × 3.5 screws (1) from the system board.
3. Remove the bracket (2) from the top of the board.
4. Lift up the left side (3) of the system board, and then pull the system board (4) to the left to remove it.

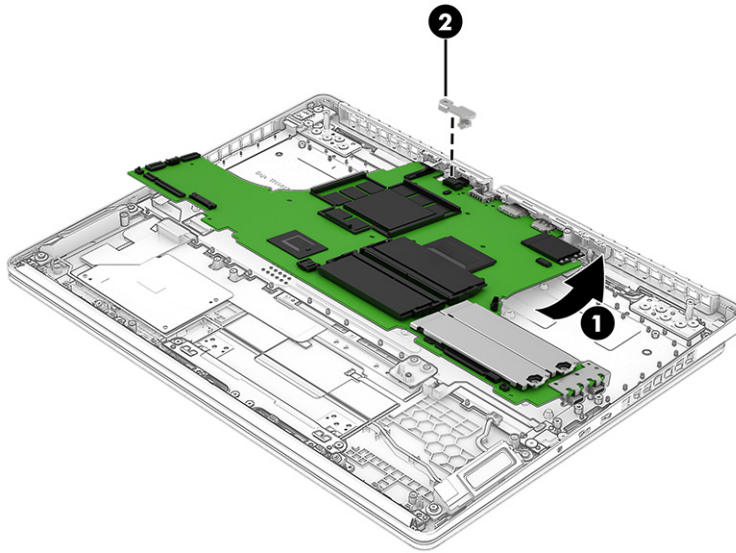


5. If you are replacing the system board, install the USB bracket you removed onto the new board.



To install the system board, reverse this procedure.

When installing a system board, insert the top of the system board **(1)** under the plastic lip at the top of the computer, and then install the bracket **(2)**. Replace the screws and reconnect the cables.



USB board cable

To remove the USB board cable, use this procedure and illustration.

Table 6-8 USB board cable description and part number

Description	Spare part number
Models with 5090, 5080, or 5070Ti graphics	P30859-001
Models with 5070 or 5060 graphics	P30860-001

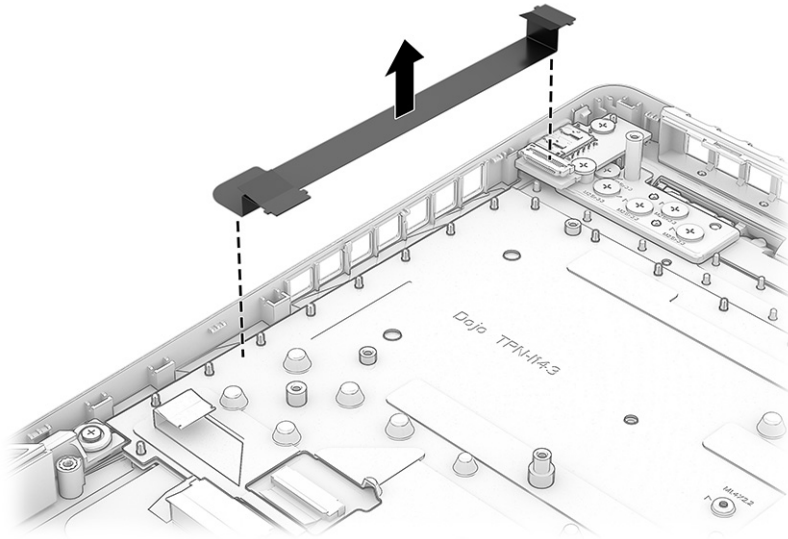
Before removing the USB board cable, follow these steps:

1. Prepare the computer for disassembly (see [Preparation for disassembly on page 33](#)).
2. Remove the bottom cover (see [Bottom cover on page 33](#)).
3. Remove the battery (see [Removing and reinstalling the same battery on page 36](#)).
4. Remove the system board (see [System board on page 56](#)).

Remove the USB board cable:

1. If connected to the USB board, disconnect the cable from the ZIF connector.

2. Peel the cable off the computer.



To install the USB board cable, reverse this procedure.

IR board

To remove the IR board, use this procedure and illustration.

Table 6-9 IR board description and part number

Description	Spare part number
Models with 5090, 5080, or 5070Ti graphics	P30859-001
Models with 5070 or 5060 graphics	P30860-001

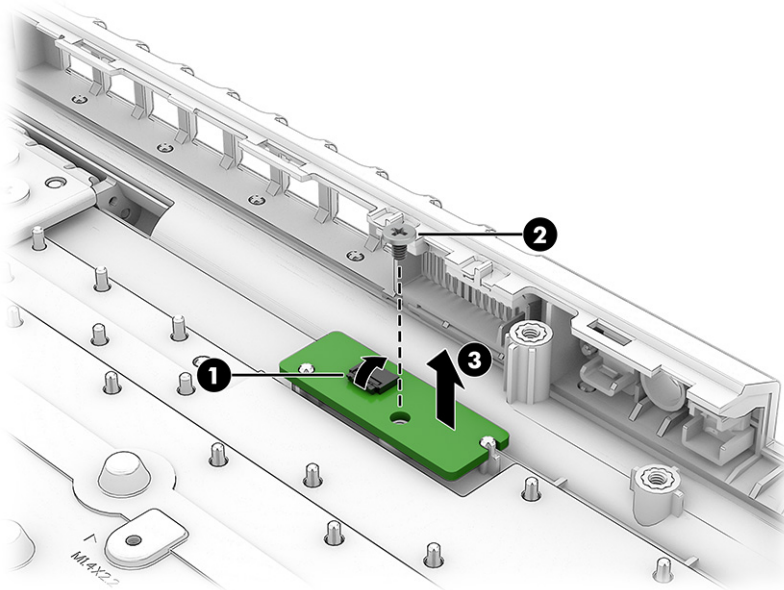
Before removing the IR board, follow these steps:

1. Prepare the computer for disassembly (see [Preparation for disassembly on page 33](#)).
2. Remove the bottom cover (see [Bottom cover on page 33](#)).
3. Remove the battery (see [Removing and reinstalling the same battery on page 36](#)).
4. Remove the system board (see [System board on page 56](#)).

Remove the IR board:

1. If still connected, disconnect the cable from the ZIF connector **(1)** on the board.

2. Remove the Phillips M2.0 × 2.0 screw (2) that secures the board to the computer, and then remove the board (3).



To install the IR board, reverse this procedure.

Audio board

To remove the audio board, use this procedure and illustration.

Table 6-10 Audio board description and part number

Description	Spare part number
Models with 5090, 5080, or 5070Ti graphics	P30863-001
Models with 5070 or 5060 graphics	P30864-001

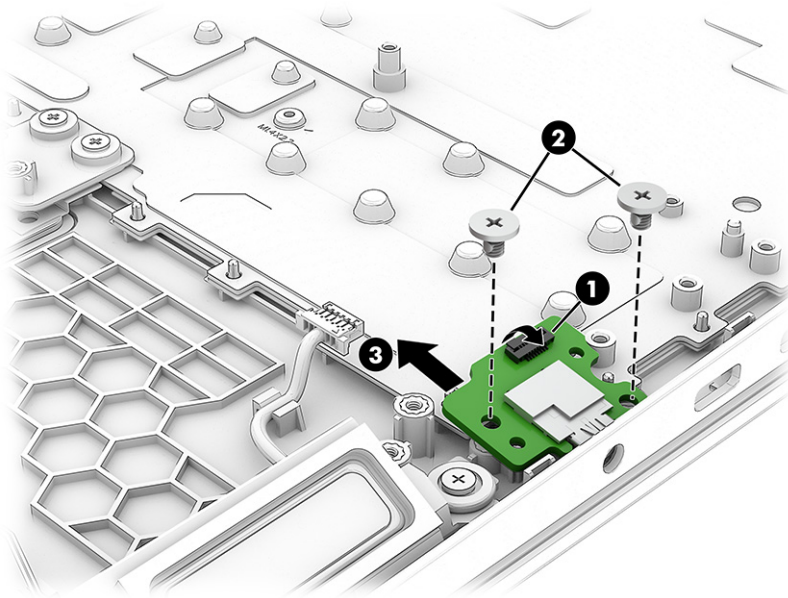
Before removing the audio board, follow these steps:

1. Prepare the computer for disassembly (see [Preparation for disassembly on page 33](#)).
2. Remove the bottom cover (see [Bottom cover on page 33](#)).
3. Remove the battery (see [Removing and reinstalling the same battery on page 36](#)).
4. Remove the system board (see [System board on page 56](#)).

Remove the audio board:

1. Disconnect the cable from the ZIF connector (1) on the audio board.
2. Remove the two Phillips M2.0 × 3.5 screws (2) that secure the board to the computer.

3. Pull the board **(3)** into the computer to remove it.



To install the audio board, reverse this procedure.

ULL board

To remove the ULL board, use this procedure and illustration.

Table 6-11 ULL board description and part number

Description	Spare part number
Models with 5090, 5080, or 5070Ti graphics (includes cable)	P30861-001
Models with 5070 or 5060 graphics (includes cable)	P30862-001

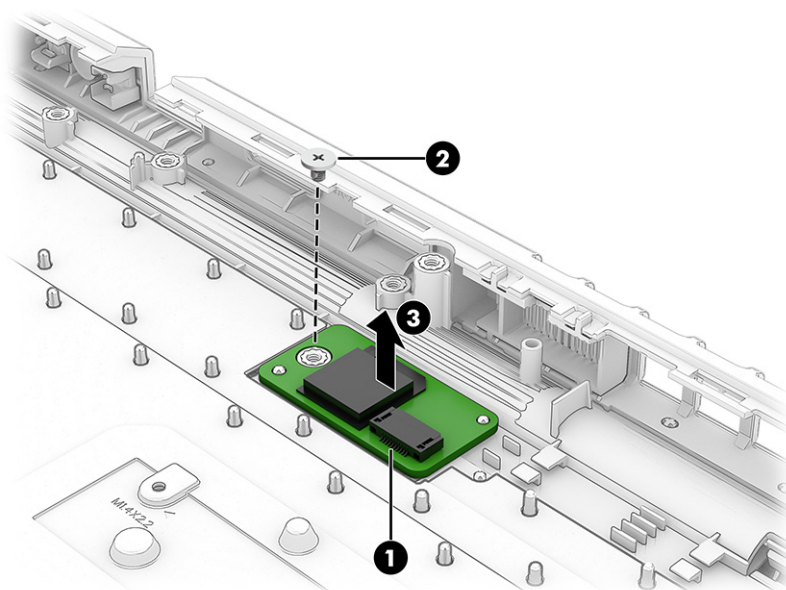
Before removing the ULL board, follow these steps:

1. Prepare the computer for disassembly (see [Preparation for disassembly on page 33](#)).
2. Remove the bottom cover (see [Bottom cover on page 33](#)).
3. Remove the battery (see [Removing and reinstalling the same battery on page 36](#)).
4. Remove the system board (see [System board on page 56](#)).

Remove the ULL board:

1. If still connected, disconnect the cable from the connector **(1)** on the board,

- Remove the Phillips M2.0 × 4.0 screw (2) that secures the board to the computer, and then remove the board (3).



To install the ULL board, reverse this procedure.

Touchpad

To remove the touchpad, use this procedure and illustration.

Table 6-12 Touchpad description and part number

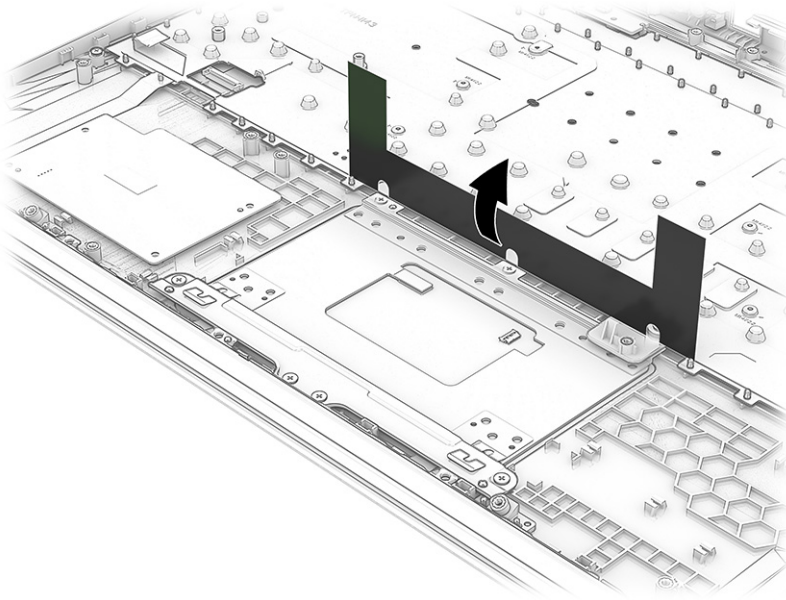
Description	Spare part number
Models with 5090, 5080, or 5070Ti graphics, ceramic white	P30873-001
Models with 5090, 5080, or 5070Ti graphics, shadow black	P30874-001
Models with 5070 or 5060 graphics, ceramic white	P40780-001
Models with 5070 or 5060 graphics, shadow black	P40781-001

Before removing the touchpad, follow these steps:

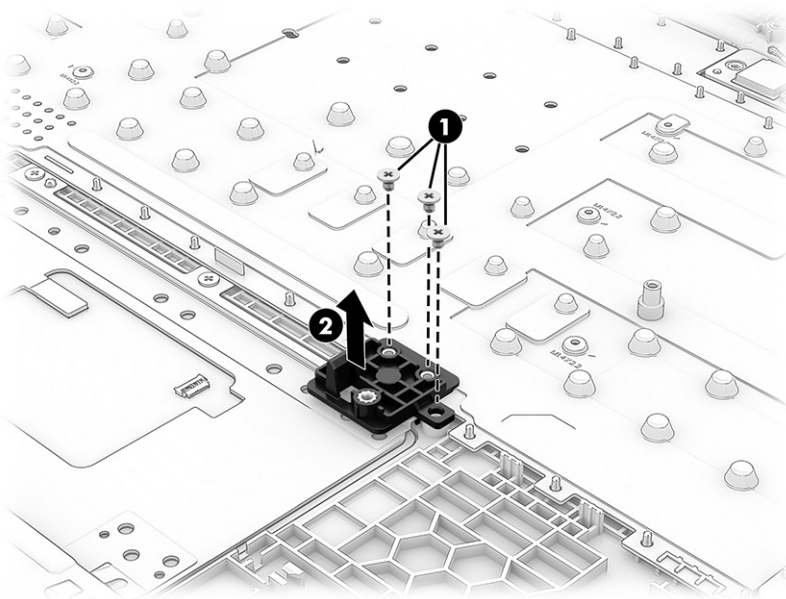
- Prepare the computer for disassembly (see [Preparation for disassembly on page 33](#)).
- Remove the bottom cover (see [Bottom cover on page 33](#)).
- Remove the battery (see [Removing and reinstalling the same battery on page 36](#)).
- Remove the system board (see [System board on page 56](#)).

Remove the touchpad:

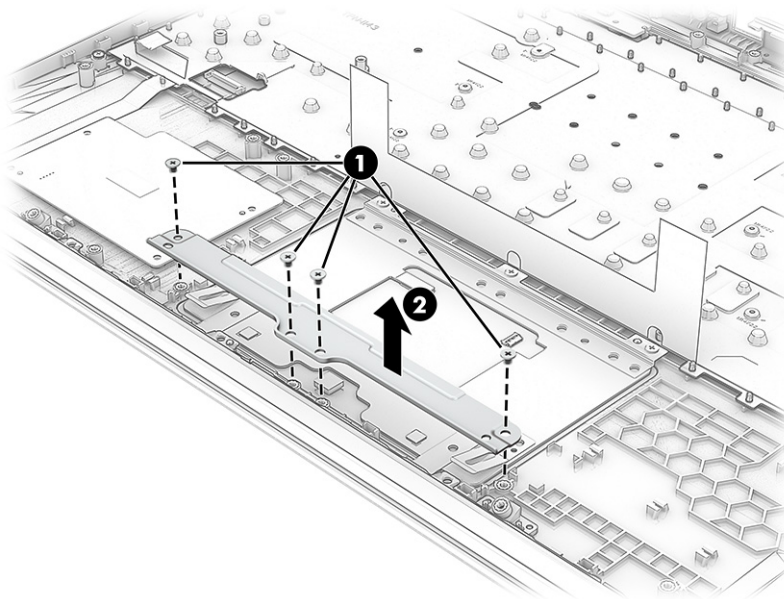
1. Peel the protective shielding off the top of the touchpad.



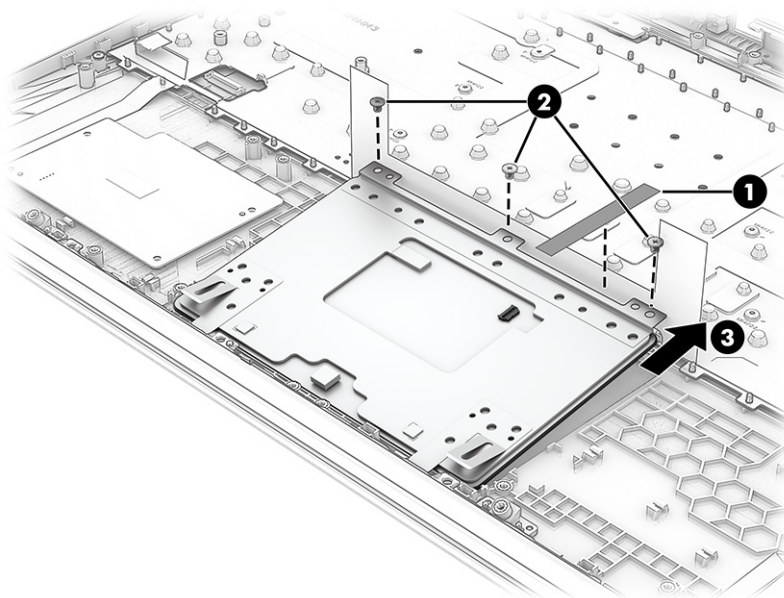
2. Remove three Phillips M2.0 × 3.0 screws (1) that secure the plastic bracket to the touchpad, and then remove the bracket (2).



3. Remove the four Phillips M2.0 × 2.5 screws (1) that secure the metal bracket to the computer, and then remove the bracket (2).



4. Remove the tape (1) from the touchpad.
5. Remove the three Phillips M2.0 × 2.0 screws (2) that secure the touchpad to the computer.
6. Pull the touchpad (3) into the computer to remove it.



To install the touchpad, reverse this procedure.

Display assembly


To remove and disassemble the display assembly, use these procedures and illustrations.

Display spare parts are available only as subcomponents.


Before removing the display panel, follow these steps:

1. Prepare the computer for disassembly (see [Preparation for disassembly on page 33](#)).
2. Remove the bottom cover (see [Bottom cover on page 33](#)).
3. Disconnect the battery cable from the system board (see [Removing and reinstalling the same battery on page 36](#)).

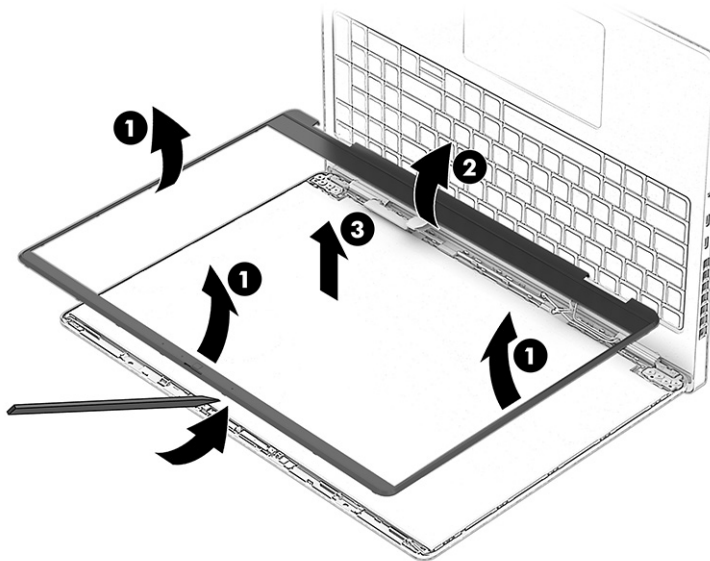
Remove the display assembly:


 **NOTE:** You can remove the bezel, display panel, and camera module without removing the entire display assembly from the computer.

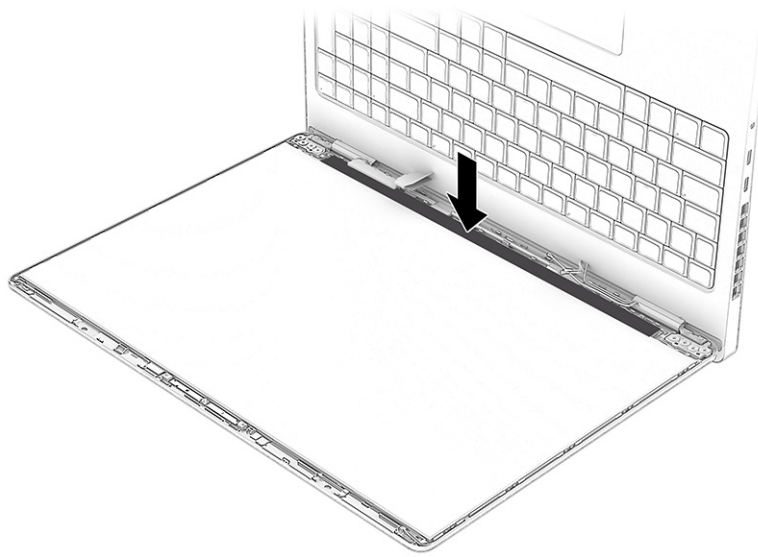
1. To remove the bezel:
 - a. **From the outside of the bezel**, release the top, left, and right sides (**1**) of the bezel from the display assembly.
 - b. Release the bottom (**2**) of the bezel from the display assembly.
 - c. Remove the bezel (**3**) from the display assembly.

 **IMPORTANT:** To avoid damaging the panel, **do not use a tool** on the inside of the bezel. You can use a tool only when you insert it from the outside of the top, left, and right sides of the bezel. Use your fingers to lift up on the bezel. Avoid pressing down on the panel during removal.

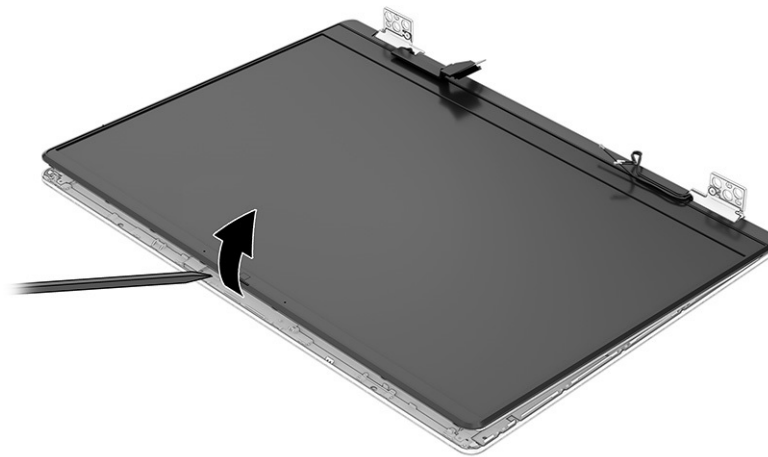
The bezel is available as spare part number P30854-001 in ceramic white models and P30855-001 in shadow black models.



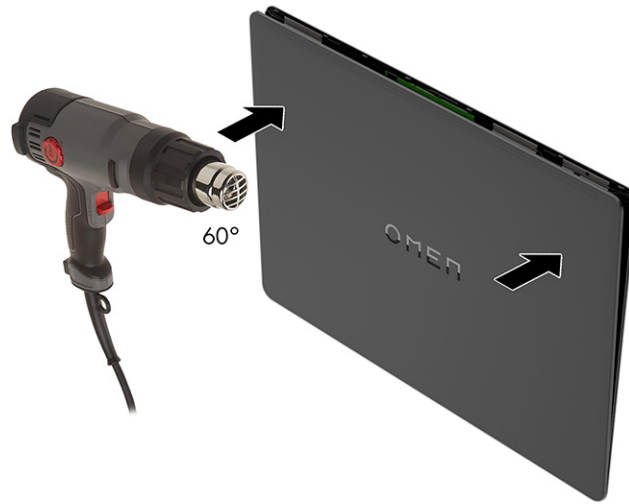
 **NOTE:** When removing the bezel, do not pull up the black protective strip under the bottom of the bezel. Be sure the strip remains flat against the panel.



2. To remove the display panel from OLED displays:
 - a. Use a tool to release the top of the display panel.



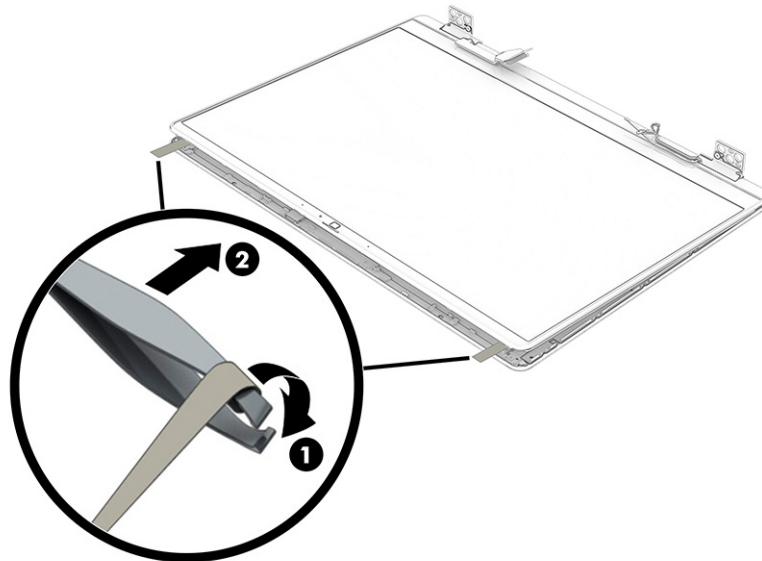
- b. Use a heat gun to heat both sides of the display rear cover with the OMEN logo in the middle to approximately 60° C (140° F).



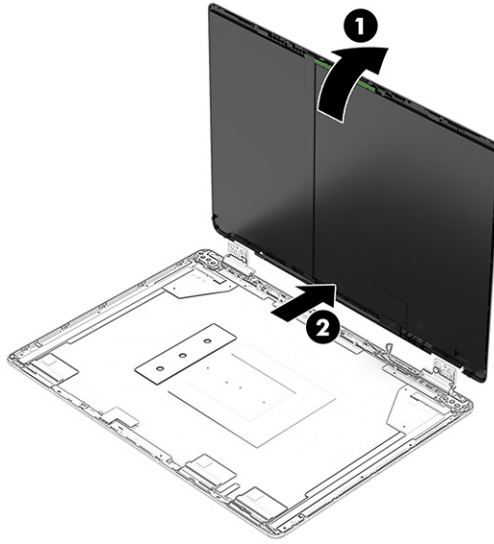
- c. At the top left and right corners of the display panel, use tweezers (1) to grasp the end of the stretchable tape that is installed under the display panel.
- d. Pull the tape (2) out from behind the display panel. You have to pull the tape several times to completely remove it.



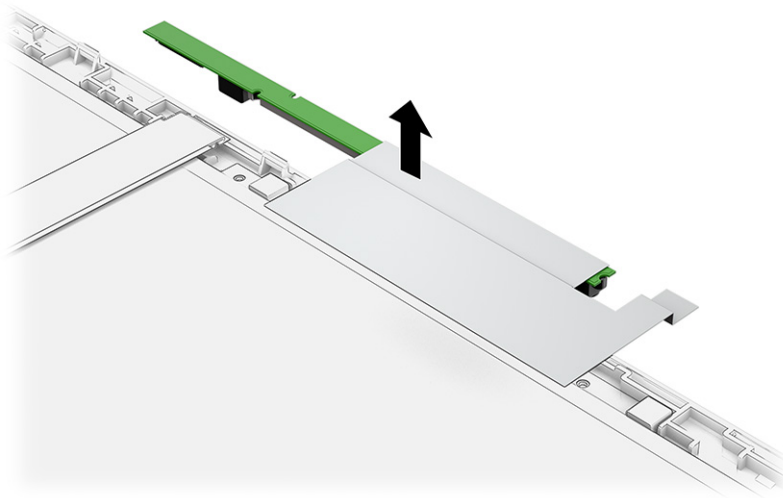
NOTE: Pull the tape out from behind the panel slowly and carefully, as the tape softens when the panel is heated.



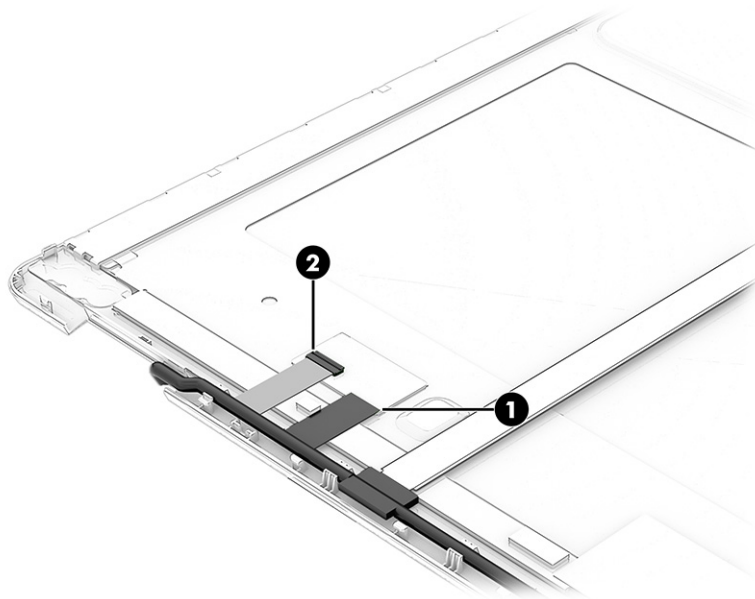
- e. Lift the top of the panel (1) up, and then pull the bottom of the panel (2) away from the display rear cover.



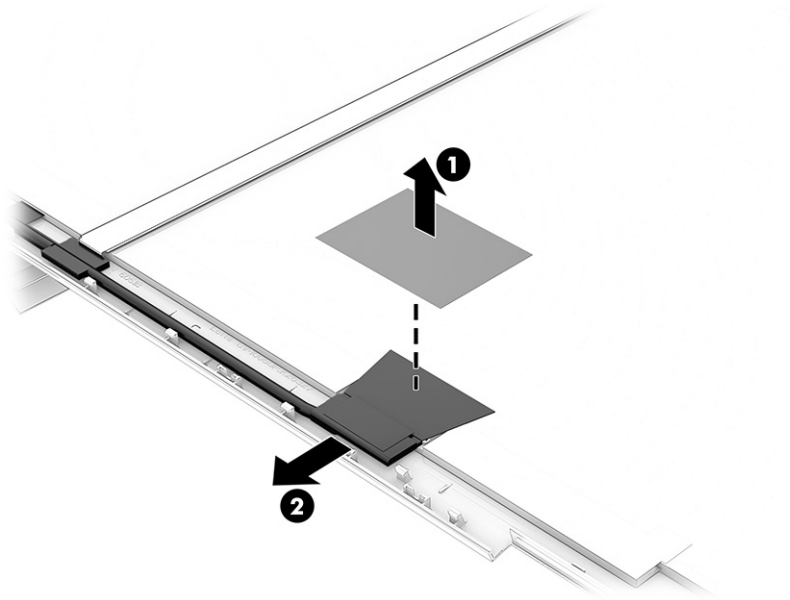
- f. Peel up the aluminum foil together with the camera module.



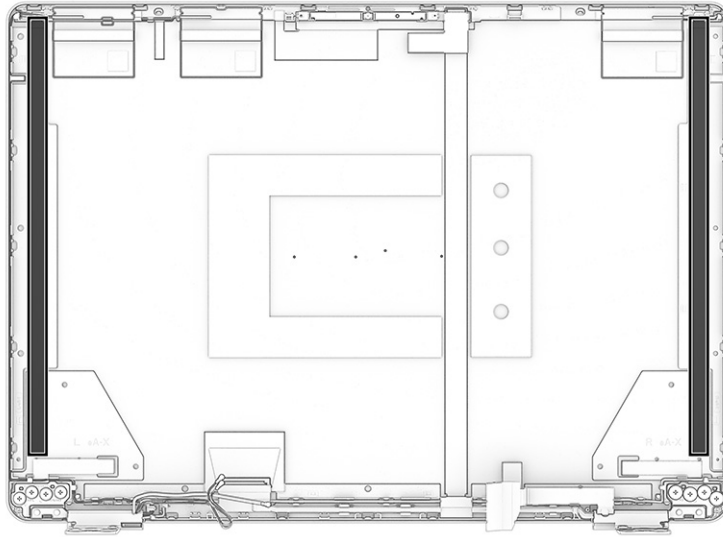
- g. Remove the tape (1) from the OLED board, and then disconnect the white flat cable (2) from the board.



- h. Peel the conductive tape (1) off the connector cable.
i. Pull the cable (2) out of the connector.



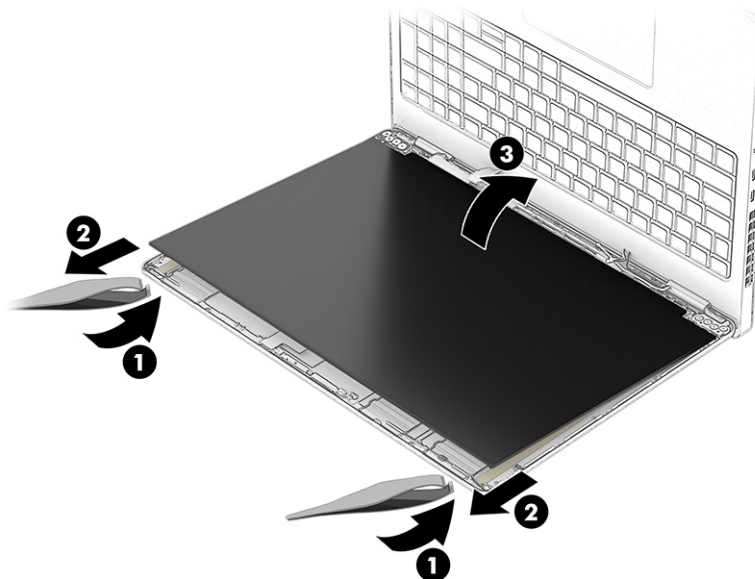
- i. When installing a display panel, be sure to install the stretchable tape on the left and right sides of the display back cover as shown in the following illustration.



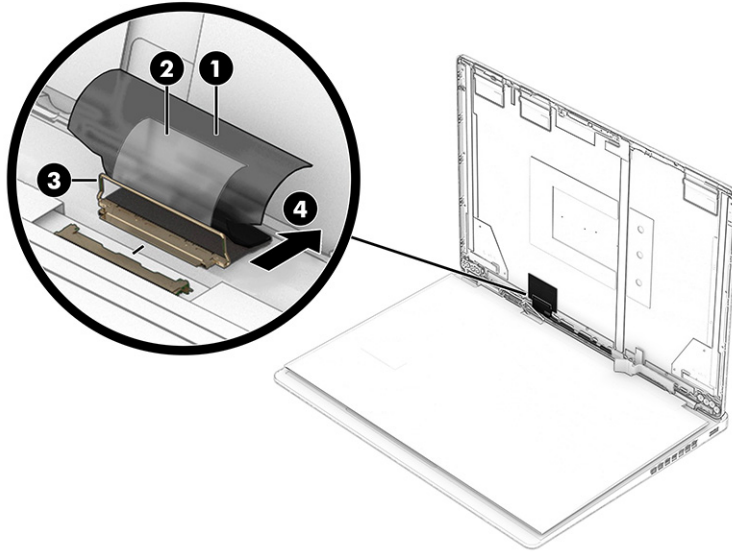
Display panels are available as the following spare part numbers:

- P33154-001-2.5K
- P33155-001-WUXGA

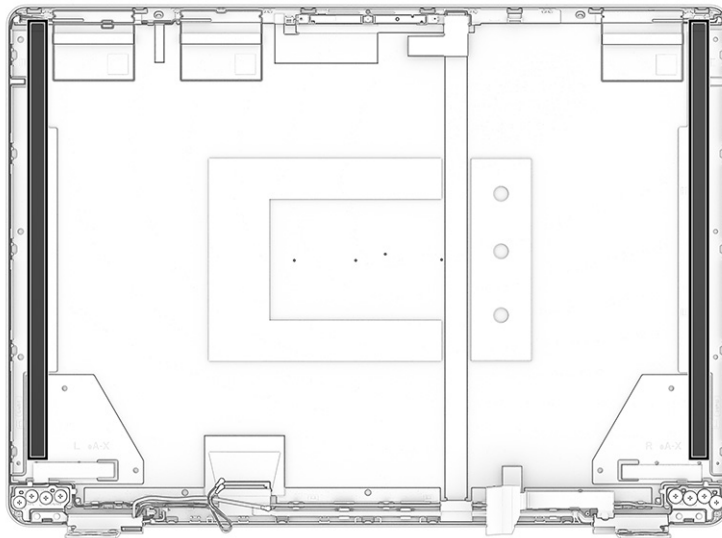
3. To remove the display panel from WUXGA displays:
 - a. At the bottom left and right corners of the display panel, insert tweezers (1) into the hole at the end of the stretchable tape that is installed under the left and right sides of the display panel.
 - b. Pull the tape (2) out from behind the display panel. You have to pull the tape several times to completely remove it.
 - c. Lift and rotate the panel (3) over onto the keyboard.



- d. Peel the conductive tape (1) off the connector cable.
- e. Peel the tape (2) off the connector on the back of the display panel.
- f. Lift the locking latch (3) from the connector.
- g. Pull the cable (4) out of the connector.



- h. When installing a display panel, be sure to install the stretchable tape on the left and right sides of the display back cover as shown in the following illustration.



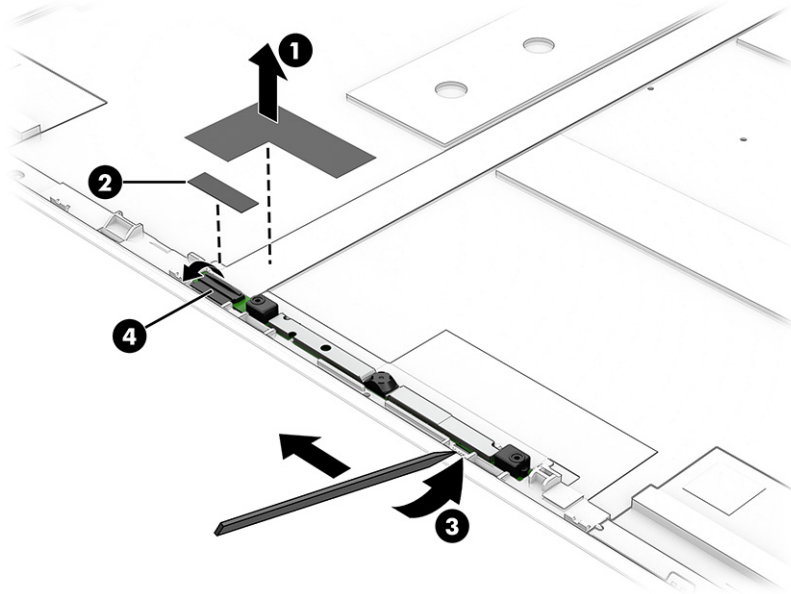
Display panels are available as the following spare part numbers:

- P33154-001–2.5K
- P33155-001–WUXGA

- 4. To replace the camera module:

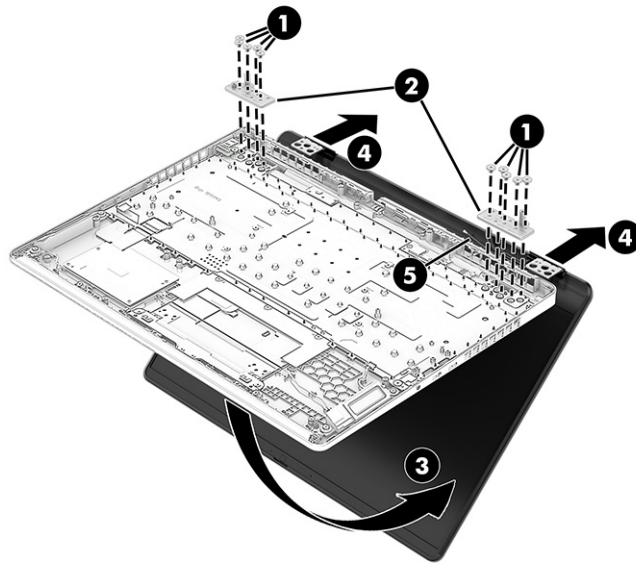
- a. Peel the tape **(1)** off the top of the cable next to the camera.
- b. Remove the small piece of tape **(2)** from the camera connector.
- c. Insert a tool **(3)** under the module and pull it along the length of the module to detach the module from the display back cover. The module is attached with double-sided adhesive.
- d. Disconnect the cable from the ZIF connector **(4)** on the camera module, and then remove the module.

The camera module is available as spare part number P30856-001 for LCD models and P33158-001 OLED models.



5. You must remove the display assembly from the computer to remove the remaining components. Remove the five Phillips M2.5 × 3.3 screws **(1)** from each hinge.
6. Remove the metal brackets **(2)** from each hinge.
7. Open the display **(3)** to 45° to open the hinges.

8. Separate the display from the computer while pulling the hinges (4) and cables (5) out of the slots in the computer.



9. To remove the hinges from the display back cover:

- a. Remove the four broadhead Phillips M2.0 × 2.5 screws (1) that secure each hinge to the display back cover.
- b. Remove the hinges (2).

The display hinges are available using the following spare part numbers:

P33991-001: Shadow black, LCD models with 5090, 5080, or 5070Ti graphics

P33992-001: Shadow black, OLED models with 5090, 5080, or 5070Ti graphics

P40774-001: Shadow black, LCD models with 5070 or 5060 graphics

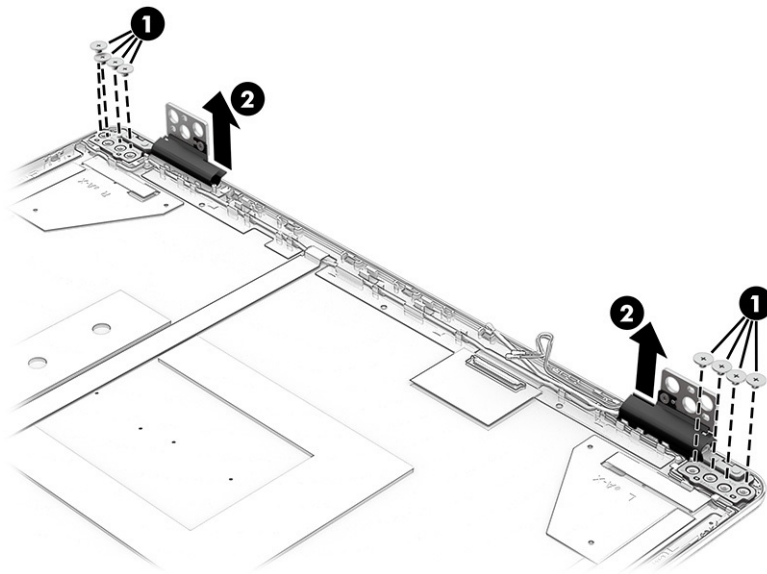
P40775-001: Shadow black, OLED models with 5070 or 5060 graphics

P41124-001: Ceramic white, LCD models with 5090, 5080, or 5070Ti graphics

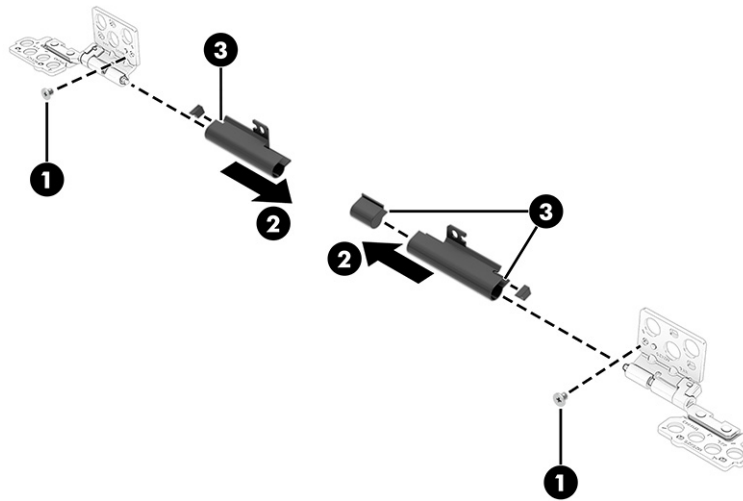
P41125-001: Ceramic white, OLED models with 5090, 5080, or 5070Ti graphics

P41126-001: Ceramic white, LCD models with 5070 or 5060 graphics

P41127-001: Ceramic white, OLED models with 5070 or 5060 graphics

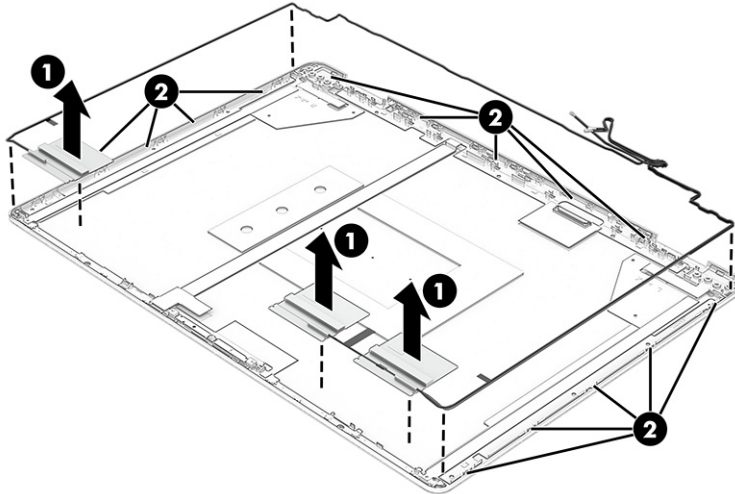


- c. Remove the hinge covers by removing the Phillips M2.0 × 3.0 screw (1) from each cover, and then sliding the covers (2) off the hinges. Note the rubber pieces (3) that are installed inside the hinge covers. Be sure to install the rubber pieces when reassembling the hinge covers.



10. To remove the wireless antennas:

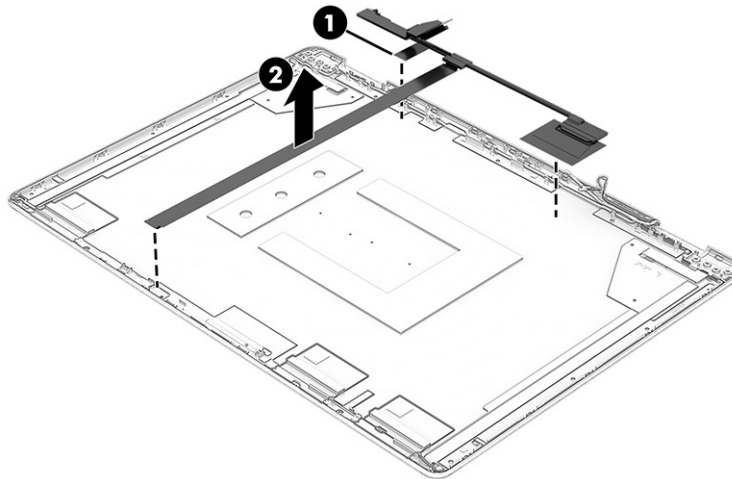
- a. Peel the wireless antennas (1) off the display rear cover. The antennas are attached with double-sided adhesive. The wireless antennas are available using spare part number P30880-001.
- b. Release the wireless antenna cables from the retention clips (2) along the top and side of the display back cover.



11. To remove the display cable:

- Remove the cable from the tape (1) at the bottom of the display, and then peel the cable (2) off the inside of the display back cover.

The display cable is available as spare part number P30879-001.



To reassemble and replace the display assembly, reverse this procedure.

Top cover with keyboard

The top cover with keyboard remains after removing all other spare parts from the computer. In this section, the first table provides the main spare part number for the top covers with keyboards. The second table provides the country codes.

Table 6-13 Top cover with keyboard descriptions and part numbers

Description	Spare part number
Plastic, per-key lighting, ceramic white	P32323-xx1

Table 6-13 Top cover with keyboard descriptions and part numbers (continued)


Description	Spare part number
Plastic, 4-zone lighting, ceramic white	P32324-xx1
Plastic, per-key lighting, ceramic white	P32325-xx1
Plastic, per-key lighting, shadow black	P32326-xx1
Plastic, 4-zone lighting, shadow black	P32327-xx1
Plastic, per-key lighting, shadow black	P32328-xx1

Table 6-14 Spare part country codes

For use in country or region	Spare part number	For use in country or region	Spare part number	For use in country or region	Spare part number
Belgium	-A41	Hungary	-211	Saudi Arabia	-171
Brazil	-201	Iceland	-DD1	Slovenia	-BA1
Bulgaria	-261	India	-D61	South Korea	-AD1
Chile	-161	Israel	-BB1	Spain	-071
Czech Republic/Slovakia	-FL1	Italy	-061	Switzerland	-BG1
Denmark	-081	Japan	-291	Taiwan	-AB1
Denmark, Finland, and Norway	-DH1	The Netherlands	-B31	Thailand	-281
French Canada	-DB1	Northern Africa	-FP1	Turkey	-141
Finland/Sweden	-B71	Norway	-091	Turkey-F	-541
France	-051	Portugal	-131	Ukraine	-BD1
Germany	-041	Romania	-271	United Kingdom	-031
Greece	-151	Russia	-251	United States	-001


7 Using Setup Utility (BIOS)

Setup Utility, or Basic Input/Output System (BIOS), controls communication between all the input and output devices on the system (such as disk drives, display, keyboard, mouse, and printer). Setup Utility (BIOS) includes settings for the types of devices installed, the startup sequence of the computer, and the amount of system and extended memory.

 **NOTE:** To start Setup Utility on convertible computers, your computer must be in notebook mode and you must use the keyboard attached to your notebook.

Starting Setup Utility (BIOS)

You have several ways to access the Setup Utility (BIOS).

 **IMPORTANT:** Use extreme care when making changes in Setup Utility (BIOS). Errors can prevent the computer from operating properly.

Use one of these options:

- Turn on or restart the computer and quickly press **f10**.
- Turn on or restart the computer, quickly press **esc**, and then press **f10** when the Start menu is displayed.

Updating Setup Utility (BIOS)

Updated versions of Setup Utility (BIOS) might be available on the HP website. Most BIOS updates on the HP website are packaged in compressed files called *SoftPaqs*. Some download packages contain a file named `Readme.txt`, which contains information regarding installing and troubleshooting the file.

Determining the BIOS version

To decide whether you need to update Setup Utility (BIOS), first determine the BIOS version on your computer.

To reveal the BIOS version information (also known as *ROM date* and *System BIOS*), use one of these options.

- HP Support Assistant
 1. Select the **Search** icon in the taskbar, type `support` in the search box, and then select the **HP Support Assistant** app.
- or -
Select the question mark icon in the taskbar.
 2. Under **My notebook**, select **Specifications**.
- Setup Utility (BIOS)
 1. Start Setup Utility (BIOS) (see [Starting Setup Utility \(BIOS\) on page 79](#)).

2. Select **Main**, and then make note of the BIOS version.
 3. Select **Exit**, select one of the options, and then follow the on-screen instructions.
- In Windows, press **ctrl+alt+s**.

To check for later BIOS versions, see [Preparing for a BIOS update on page 80](#).

Preparing for a BIOS update

Be sure to follow all prerequisites before downloading and installing a BIOS update.



IMPORTANT: To reduce the risk of damage to the computer or an unsuccessful installation, download and install a BIOS update only when the computer is connected to reliable external power using the HP AC adapter provided with the computer (select products only), a replacement AC adapter provided by HP, or an AC adapter with the power rating specified on the product label. Do not download or install a BIOS update while the computer is running on battery power, docked in an optional docking device, or connected to an optional power source. During the download and installation, follow these instructions:

- Do not disconnect power from the computer by unplugging the power cord from the AC outlet.
- Do not shut down the computer or initiate Sleep.
- Do not insert, remove, connect, or disconnect any device, cable, or cord.



NOTE: If your computer is connected to a network, consult the network administrator before installing any software updates, especially system BIOS updates.

Downloading a BIOS update

After you review the prerequisites, you can check for and download BIOS updates.

1. Perform one of these tasks:
 - Select the **Search** icon in the taskbar, type `support` in the search box, and then select the **HP Support Assistant** app.
 - Select the question mark icon in the taskbar.
2. Select **Updates**. The **Checking for Updates** window opens, and Windows checks for updates.
3. Follow the on-screen instructions.
4. At the download area, follow these steps:
 - a. Identify the most recent BIOS update and compare it to the BIOS version currently installed on your computer. If the update is more recent than your BIOS version, make a note of the date, name, or other identifier. You might need this information to locate the update later, after it has been downloaded to your hard drive.
 - b. Follow the on-screen instructions to download your selection to the hard drive.

Make a note of the path to the location on your hard drive where the BIOS update is downloaded. You will need to access this path when you are ready to install the update.

Installing a BIOS update

BIOS installation procedures vary. Follow any instructions that appear on the screen after the download is complete. If no instructions appear, follow these steps.

1. Select the **Search** icon in the taskbar, type `file` in the search box, and then select **File Explorer**.
2. Select your hard drive designation. The hard drive designation is typically Local Disk (C:).
3. Using the hard drive path you recorded earlier, open the folder that contains the update.
4. Double-click the file that has an `.exe` extension (for example, *filename.exe*).

The BIOS installation begins.

5. Complete the installation by following the on-screen instructions.



NOTE: After a message on the screen reports a successful installation, you can delete the downloaded file from your hard drive.

8 Using HP PC Hardware Diagnostics

You can use the HP PC Hardware Diagnostics utility to determine whether your computer hardware is running properly. The three versions are HP PC Hardware Diagnostics Windows, HP PC Hardware Diagnostics UEFI (Unified Extensible Firmware Interface), and (for select products only) Remote HP PC Hardware Diagnostics UEFI, a firmware feature.

Using HP PC Hardware Diagnostics Windows (select products only)

HP PC Hardware Diagnostics Windows is a Windows-based utility that allows you to run diagnostic tests to determine whether the computer hardware is functioning properly. The tool runs within the Windows operating system to diagnose hardware failures.

If HP PC Hardware Diagnostics Windows is not installed on your computer, you must download and install it. To download HP PC Hardware Diagnostics Windows, see [Downloading HP PC Hardware Diagnostics Windows on page 83](#).

Using an HP PC Hardware Diagnostics Windows hardware failure ID code

When HP PC Hardware Diagnostics Windows detects a failure that requires hardware replacement, a 24-digit failure ID code is generated for select component tests. For interactive tests, such as keyboard, mouse, or audio and video palette, you must perform troubleshooting steps before you can receive a failure ID.

You have several options after you receive a failure ID:

- Select **Next** to open the Event Automation Service (EAS) page, where you can log the case.
- Scan the QR code with your mobile device, which takes you to the EAS page, where you can log the case.
- Select the box next to the 24-digit failure ID to copy your failure code and send it to support.

Accessing HP PC Hardware Diagnostics Windows

After HP PC Hardware Diagnostics Windows is installed, you can access it from HP Support Assistant or the Start menu.

Accessing HP PC Hardware Diagnostics Windows from HP Support Assistant

After HP PC Hardware Diagnostics Windows is installed, follow these steps to access it from HP Support Assistant:

1. Complete one of the following tasks:
 - Select the **Search** icon in the taskbar, type `support` in the search box, and then select the **HP Support Assistant** app.
 - Select the question mark icon in the taskbar.
2. Select **Fixes & Diagnostics**.


3. Select **Run hardware diagnostics**, and then select **Launch**.
4. When the tool opens, select the type of diagnostic test that you want to run, and then follow the on-screen instructions.

 **NOTE:** To stop a diagnostic test, select **Cancel**.

Accessing HP PC Hardware Diagnostics Windows from the Start menu (select products only)

After HP PC Hardware Diagnostics Windows is installed, follow these steps to access it from the Start menu:

1. Select the **Start** button, and then select **All apps**.
2. Select **HP PC Hardware Diagnostics Windows**.
3. When the tool opens, select the type of diagnostic test that you want to run, and then follow the on-screen instructions.

 **NOTE:** To stop a diagnostic test, select **Cancel**.

Downloading HP PC Hardware Diagnostics Windows

The HP PC Hardware Diagnostics Windows downloading instructions are provided in English only. You must use a Windows computer to download this tool because only .exe files are provided.

Downloading the latest HP PC Hardware Diagnostics Windows version from HP

To download HP PC Hardware Diagnostics Windows from HP, follow these steps:

1. Go to <http://www.hp.com/go/techcenter/pcdiags>. The HP PC Diagnostics home page is displayed.
2. Select **Download HP Diagnostics Windows**, and then select the specific Windows diagnostics version to download to your computer or a USB flash drive.

The tool downloads to the selected location.

Downloading the HP PC Hardware Diagnostics Windows from the Microsoft Store


You can download the HP PC Hardware Diagnostics Windows from the Microsoft Store:

1. Select the Microsoft Store app on your desktop or select the **Search** icon in the taskbar, and then type `Microsoft Store` in the search box.
2. Type `HP PC Hardware Diagnostics Windows` in the **Microsoft Store** search box.
3. Follow the on-screen directions.

The tool downloads to the selected location.

Downloading HP Hardware Diagnostics Windows by product name or number (select products only)

You can download HP PC Hardware Diagnostics Windows by product name or number.

 **NOTE:** For some products, you might have to download the software to a USB flash drive by using the product name or number.

1. Go to <http://www.hp.com/support>.
2. Select **Software and Drivers**, select your type of product, and then enter the product name or number in the search box that is displayed.
3. In the **Diagnostics** section, select **Download**, and then follow the on-screen instructions to select the specific Windows diagnostics version to be downloaded to your computer or USB flash drive.

The tool downloads to the selected location.

Installing HP PC Hardware Diagnostics Windows

To install HP PC Hardware Diagnostics Windows, navigate to the folder on your computer or the USB flash drive where the .exe file downloaded, double-click the .exe file, and then follow the on-screen instructions.

Using HP PC Hardware Diagnostics UEFI

HP PC Hardware Diagnostics Unified Extensible Firmware Interface (UEFI) allows you to run diagnostic tests to determine whether the computer hardware is functioning properly. The tool runs outside the operating system so that it can isolate hardware failures from issues that are caused by the operating system or other software components.



NOTE: For some products, you must use a Windows computer and a USB flash drive to download and create the HP UEFI support environment because only .exe files are provided. For more information, see [Downloading HP PC Hardware Diagnostics UEFI to a USB flash drive on page 85](#).

If your PC does not start in Windows, you can use HP PC Hardware Diagnostics UEFI to diagnose hardware issues.

Using an HP PC Hardware Diagnostics UEFI hardware failure ID code

When HP PC Hardware Diagnostics UEFI detects a failure that requires hardware replacement, a 24-digit failure ID code is generated.

For assistance in solving the problem, complete one of these tasks:

- Select **Contact HP**, accept the HP privacy disclaimer, and then use a mobile device to scan the failure ID code that appears on the next screen. The HP Customer Support - Service Center page appears with your failure ID and product number automatically filled in. Follow the on-screen instructions.
- Contact support, and provide the failure ID code.

Starting HP PC Hardware Diagnostics UEFI

To start HP PC Hardware Diagnostics UEFI, follow this procedure.

1. Turn on or restart the computer, and quickly press **esc**.
2. Press **f2**.

The BIOS searches three places for the diagnostic tools, in the following order:

- a. Connected USB flash drive



NOTE: To download the HP PC Hardware Diagnostics UEFI tool to a USB flash drive, see [Downloading the latest HP PC Hardware Diagnostics UEFI version on page 86.](#)

- b. Hard drive
 - c. BIOS
3. When the diagnostic tool opens, select the type of diagnostic test that you want to run, and then follow the on-screen instructions.

Starting HP PC Hardware Diagnostics UEFI through HP Hotkey Support software (select products only)

This section describes how to start HP PC Hardware Diagnostics UEFI through HP Hotkey Support software.



NOTE: You must disable fast boot to access HP PC Hardware Diagnostics UEFI from the HP System Information application.

To disable fast boot:

1. Turn on or restart the computer, and when the HP logo appears, press **f10** to enter Computer Setup.
2. Select **Advanced**, and then select **Boot Options**.
3. Clear **Fast Boot**.
4. Select **Save Changes and Exit**, and then select **Yes**.

To start HP PC Hardware Diagnostics UEFI through HP Hotkey Support software, follow this procedure:

1. From the **Start** menu, open the HP System Information Application or press **fn+esc**.
2. In HP System Information screen, select **Run System Diagnostics**, select **Yes** to run the application, and then select **Restart**.



IMPORTANT: To prevent loss of data, save your work in all open apps before restarting your computer.



NOTE: When the restart is complete, the computer opens the HP PC Hardware Diagnostics UEFI Application. Proceed with the troubleshooting tests.

Downloading HP PC Hardware Diagnostics UEFI to a USB flash drive

Downloading HP PC Hardware Diagnostics UEFI to a USB flash drive can be useful in some situations.

- HP PC Hardware Diagnostics UEFI is not included in the preinstallation image.
- HP PC Hardware Diagnostics UEFI is not included in the HP Tool partition.
- The hard drive is damaged.



NOTE: The HP PC Hardware Diagnostics UEFI downloading instructions are provided in English only, and you must use a Windows computer to download and create the HP UEFI support environment because only `.exe` files are provided.

Downloading the latest HP PC Hardware Diagnostics UEFI version

To download the latest HP PC Hardware Diagnostics UEFI version to a USB flash drive, follow this procedure:

1. Go to <http://www.hp.com/go/techcenter/pcdiags>. The HP PC Diagnostics home page is displayed.
2. Select **Download HP Diagnostics UEFI**, and then select **Run**.

Downloading HP PC Hardware Diagnostics UEFI by product name or number (select products only)

You can download HP PC Hardware Diagnostics UEFI by product name or number (select products only) to a USB flash drive.



NOTE: For some products, you might have to download the software to a USB flash drive by using the product name or number.

1. Go to <http://www.hp.com/support>.
2. Enter the product name or number, select your computer, and then select your operating system.
3. In the **Diagnostics** section, follow the on-screen instructions to select and download the specific UEFI Diagnostics version for your computer.

Using Remote HP PC Hardware Diagnostics UEFI settings (select products only)

Remote HP PC Hardware Diagnostics UEFI is a firmware (BIOS) feature that downloads HP PC Hardware Diagnostics UEFI to your computer. It can then run the diagnostics on your computer, and it might upload results to a preconfigured server.

For more information about Remote HP PC Hardware Diagnostics UEFI, go to <http://www.hp.com/go/techcenter/pcdiags>, and then select **Find out more**.

Downloading Remote HP PC Hardware Diagnostics UEFI

Remote HP PC Hardware Diagnostics UEFI is also available as a SoftPaq that you can download to a server.

Downloading the latest Remote HP PC Hardware Diagnostics UEFI version

You can download the latest Remote HP PC Hardware Diagnostics UEFI version to a USB flash drive.

1. Go to <http://www.hp.com/go/techcenter/pcdiags>. The HP PC Diagnostics home page is displayed.
2. Select **Download Remote Diagnostics**, and then select **Run**.

Downloading Remote HP PC Hardware Diagnostics UEFI by product name or number

You can download Remote HP PC Hardware Diagnostics UEFI by product name or number.



NOTE: For some products, you might have to download the software by using the product name or number.

1. Go to <http://www.hp.com/support>.

2. Select **Software and Drivers**, select your type of product, enter the product name or number in the search box that is displayed, select your computer, and then select your operating system.
3. In the **Diagnostics** section, follow the on-screen instructions to select and download the **Remote UEFI** version for the product.

Customizing Remote HP PC Hardware Diagnostics UEFI settings

Using the Remote HP PC Hardware Diagnostics setting in Computer Setup (BIOS), you can perform several customizations.

- Set a schedule for running diagnostics unattended. You can also start diagnostics immediately in interactive mode by selecting **Execute Remote HP PC Hardware Diagnostics UEFI**.
- Set the location for downloading the diagnostic tools. This feature provides access to the tools from the HP website or from a server that has been preconfigured for use. Your computer does not require the traditional local storage, such as a hard drive or USB flash drive, to run remote diagnostics.
- Set a location for storing the test results. You can also set the user name and password that you use for uploads.
- Display status information about the diagnostics run previously.


To customize Remote HP PC Hardware Diagnostics UEFI settings, follow these steps:


1. Turn on or restart the computer, and when the HP logo appears, press **f10** to enter Computer Setup.
2. Select **Advanced**, and then select **Settings**.
3. Make your customization selections.
4. Select **Main**, then select **Save Changes and Exit** to save your settings.

Your changes take effect when the computer restarts.

9 Backing up, restoring, and recovering

You can use Windows tools or HP software to back up your information, create a restore point, reset your computer, create recovery media, or restore your computer to its factory state. Performing these standard procedures can return your computer to a working state faster.

 **IMPORTANT:** If you are performing recovery procedures on a tablet, the tablet battery must be at least 70% charged before you start the recovery process.


 **IMPORTANT:** For a tablet with a detachable keyboard, connect the tablet to the keyboard base before beginning any recovery process.

Backing up information and creating recovery media

These methods of creating recovery media and backups are available on select products only.

Using Windows tools for backing up

HP recommends that you back up your information immediately after initial setup. You can do this task either using Windows Backup locally with an external USB flash drive or using online tools.


 **NOTE:** If computer storage is 32 GB or less, Microsoft System Restore is disabled by default.


Using the HP Cloud Recovery Download Tool to create recovery media (select products only)

You can use the HP Cloud Recovery Download Tool to create HP Recovery media on a bootable USB flash drive.

For details:

- Go to <http://www.hp.com>, search for HP Cloud Recovery, and then select the result that matches the type of computer that you have.

 **NOTE:** If you cannot create recovery media yourself, contact support to obtain recovery discs. Go to <http://www.hp.com/support>, select your country or region, and then follow the on-screen instructions.

 **IMPORTANT:** HP recommends that you follow the [Restoring and recovery methods on page 89](#) to restore your computer before you obtain and use the HP recovery discs. Using a recent backup can return your machine to a working state sooner than using the HP recovery discs. After the system is restored, reinstalling all the operating system software released since your initial purchase can be a lengthy process.

Restoring and recovering your system

You have several tools available to recover your system both within and outside of Windows if the desktop cannot load.

HP recommends that you attempt to restore your system using the [Restoring and recovery methods on page 89](#).

Creating a system restore


System Restore is available in Windows. The System Restore software can automatically or manually create restore points, or snapshots, of the system files and settings on the computer at a particular point.

When you use System Restore, it returns your computer to its state at the time you made the restore point. Your personal files and documents should not be affected.

Restoring and recovery methods

After you run the first method, test to see whether the issue still exists before you proceed to the next method, which might now be unnecessary.


1. Run a Microsoft System Restore.
2. Run Reset this PC.

 **NOTE:** The options **Remove everything** and then **Fully clean the drive** can take several hours to complete and leave no information on your computer. It is the safest way to reset your computer before you recycle it.

3. Recover using HP Recovery media. For more information, see [Recovering using HP Recovery media on page 89](#).

For more information about the first two methods, see the Get Help app:


- Select the **Start** button, select **All apps**, select the **Get Help** app, and then enter the task you want to perform.

 **NOTE:** You must be connected to the internet to access the Get Help app.

Recovering using HP Recovery media


You can use HP Recovery media to recover the operating system and drivers that were installed at the factory. On select products, you can create recovery media on a bootable USB flash drive using the HP Cloud Recovery Download Tool.

For details, see [Using the HP Cloud Recovery Download Tool to create recovery media \(select products only\) on page 88](#).

 **NOTE:** If you cannot create recovery media yourself, contact support to obtain recovery discs. Go to <http://www.hp.com/support>, select your country or region, and then follow the on-screen instructions.


To recover your system:

- Insert the HP Recovery media, and then restart the computer.

 **NOTE:** HP recommends that you follow the [Restoring and recovery methods on page 89](#) to restore your computer before you obtain and use the HP recovery discs. Using a recent backup can return your machine to a working state sooner than using the HP recovery discs. After the system is restored, reinstalling all the operating system software released since your initial purchase can be a lengthy process.

Changing the computer boot order

If your computer does not restart using the HP Recovery media, you can change the computer boot order, which is the order of devices listed in BIOS for startup information. You can select an optical drive or a USB flash drive, depending on the location of your HP Recovery media.

 **IMPORTANT:** For a tablet with a detachable keyboard, connect the tablet to the keyboard base before beginning these steps.

To change the boot order:

1. Insert the HP Recovery media.
2. Access the system **Startup** menu.
 - For computers or tablets with keyboards attached, turn on or restart the computer or tablet, quickly press **esc**, and then press **f9** for boot options.
 - For tablets without keyboards, turn on or restart the tablet, and then quickly press and hold one of the following buttons:
 - Volume up
 - Volume down

Then select **f9**.
3. Select the optical drive or USB flash drive from which you want to boot, and then follow the on-screen instructions.

Using HP Sure Recover (select products only)

Select computer models are configured with HP Sure Recover, a PC operating system (OS) recovery solution built into the hardware and software. HP Sure Recover can fully restore the HP OS image without installed recovery software.

Using HP Sure Recover, an administrator or user can restore the system and install:

- Latest version of the operating system
- Platform-specific device drivers
- Software applications, in the case of a custom image

To access the latest documentation for HP Sure Recover, go to <http://www.hp.com/support>. Follow the on-screen instructions to find your product and locate your documentation.

10 Specifications

This chapter provides specifications for your computer system.

Computer specifications

This section provides specifications for your computer. When you travel with your computer, the computer dimensions and weights, input power ratings, and operating specifications provide helpful information.

Table 10-1 Computer specifications

	Metric	U.S.
Dimensions		
Width	356.5 mm	14.04 in
Depth	269.0 mm	10.59 in
Front height (excludes rubber feet)	22.95 mm	0.90 in
Rear height (excludes rubber feet)	24.8 mm	0.98 in
Weight		
	2685.2 g	5.91 lb
Input power		
Operating voltage and current	20 V DC @ 14 A - 280 W	
	19.5 V DC @ 16.92 A - 330 W	
Temperature		
Operating	5°C to 35°C	41°F to 95°F
Nonoperating	-20°C to 60°C	-4°F to 140°F
Relative humidity (noncondensing)		
Operating	10% to 90%	
Nonoperating	5% to 95%	
Maximum altitude (unpressurized)		
Operating	-15 m to 3,048 m	-50 ft to 10,000 ft
Nonoperating	-15 m to 12,192 m	-50 ft to 40,000 ft



NOTE: Applicable product safety standards specify thermal limits for plastic surfaces. The device operates well within this range of temperatures.

Display specifications

This section provides specifications for your display.

Table 10-2 Display specifications

	Metric	U.S.
Active diagonal size	40.64 cm	16.0 in
Resolution	1920 × 1200 (WUXGA) 2560 × 1600 (2.5K)	
Surface treatment	Antiglare BrightView	
Brightness	500 nits (2.5K/100% sRGB) 400 nits (2.5K/100% DCI-P3, WUXGA))	
Refresh rate	240 Hz (2.5K) 165 Hz (WUXGA)	
Viewing angle	UWVA	
Backlight	WLED	
Display panel interface	eDP	

Solid-state drive specifications

This section provides specifications for your solid-state drives.

Table 10-3 Solid-state drive specifications

	256 GB*	512 GB*	1 TB*
Dimensions			
Height	1.0 mm	1.0 mm	1.0 mm
Length	50.8 mm	50.8 mm	50.8 mm
Width	28.9 mm	28.9 mm	28.9 mm
Weight	< 10 g	< 10 g	< 10 g
Interface type			
Ready time, maximum (to not busy)	1.0 ms	< 1.0 ms	1.0 ms
Access times, logical	0.1 ms	0.1 ms	0.1 ms
Transfer rate			
Sequential read	up to 2150 MBps	up to 2150 MBps	up to 2150 MBps
Random read	Up to 300,000 IOPs	Up to 300,000 IOPs	Up to 300,000 IOPs
Sequential write	up to 1550 MBps	up to 1550 MBps	up to 1550 MBps
Random write	Up to 100,000 IOPs	Up to 100,000 IOPs	Up to 100,000 IOPs
Total logical sectors	468,883,296	1,000,215,216	1,500,336,388

Table 10-3 Solid-state drive specifications (continued)

	256 GB*	512 GB*	1 TB*
Operating temperature	0°C to 70°C (32°F to 158°F)	0°C to 70°C (32°F to 158°F)	0°C to 70°C (32°F to 158°F)

*1 GB = 1 billion bytes when referring to hard drive storage capacity. Actual accessible capacity is less. Actual drive specifications might differ slightly.



NOTE: Certain restrictions and exclusions apply. Contact support for details.

11 Power cord set requirements

This chapter provides power cord requirements for countries and regions.

The wide-range input feature of the computer permits it to operate from any line voltage from 100 V AC to 120 V AC, or from 220 V AC to 240 V AC.

The three-conductor power cord set included with the computer meets the requirements for use in the country or region where the equipment is purchased.

Power cord sets for use in other countries or regions must meet the requirements of the country and region where the computer is used.

Requirements for all countries

These power cord requirements are applicable to all countries and regions.

- The length of the power cord set must be at least **1.0 m** (3.3 ft) and no more than **2.0 m** (6.5 ft).
- All power cord sets must be approved by an acceptable accredited agency responsible for evaluation in the country or region where the power cord set will be used.
- The power cord sets must have a minimum current capacity of 10 A and a nominal voltage rating of 125 V AC or 250 V AC, as required by the power system of each country or region.
- The appliance coupler must meet the mechanical configuration of an EN 60 320/IEC 320 Standard Sheet C13 connector for mating with the appliance inlet on the back of the computer.

Requirements for specific countries and regions

To determine power cord requirements for specific countries and regions, use this table.

Table 11-1 Power cord requirements for specific countries and regions

Country/region	Accredited agency	Applicable note number
Argentina	IRAM	1
Australia	SAA	1
Austria	OVE	1
Belgium	CEBEC	1
Brazil	ABNT	1
Canada	CSA	2
Chile	IMQ	1
Denmark	DEMKO	1
Finland	FIMKO	1
France	UTE	1

Table 11-1 Power cord requirements for specific countries and regions (continued)

Country/region	Accredited agency	Applicable note number
Germany	VDE	1
India	BIS	1
Israel	SII	1
Italy	IMQ	1
Japan	JIS	3
Netherlands	KEMA	1
New Zealand	SANZ	1
Norway	NEMKO	1
People's Republic of China	CCC	4
Saudi Arabia	SASO	7
Singapore	PSB	1
South Africa	SABS	1
South Korea	KTL	5
Sweden	SEMKO	1
Switzerland	SEV	1
Taiwan	BSMI	6
Thailand	TISI	1
United Kingdom	ASTA	1
United States	UL	2

1. The flexible cord must be Type HO5VV-F, three-conductor, 0.75 mm² conductor size. Power cord set fittings (appliance coupler and wall plug) must bear the certification mark of the agency responsible for evaluation in the country or region where it will be used.
2. The flexible cord must be Type SVT/SJT or equivalent, No. 18 AWG, three-conductor. The wall plug must be a two-pole grounding type with a NEMA 5-15P (15 A, 125 V AC) or NEMA 6-15P (15 A, 250 V AC) configuration. CSA or C-UL mark. UL file number must be on each element.
3. The appliance coupler, flexible cord, and wall plug must bear a T mark and registration number in accordance with the Japanese Dentori Law. The flexible cord must be Type VCTF, three-conductor, 0.75 mm² or 1.25 mm² conductor size. The wall plug must be a two-pole grounding type with a Japanese Industrial Standard C8303 (7 A, 125 V AC) configuration.
4. The flexible cord must be Type RVV, three-conductor, 0.75 mm² conductor size. Power cord set fittings (appliance coupler and wall plug) must bear the CCC certification mark.
5. The flexible cord must be Type H05VV-F three-conductor, 0.75 mm² conductor size. KTL logo and individual approval number must be on each element. Approval number and logo must be printed on a flag label.
6. The flexible cord must be Type HVCTF three-conductor, 1.25 mm² conductor size. Power cord set fittings (appliance coupler, cable, and wall plug) must bear the BSMI certification mark.

7. For 127 V AC, the flexible cord must be Type SVT or SJT 3-conductor, 18 AWG, with plug NEMA 5-15P (15 A, 125 V AC), with UL and CSA or C-UL marks. For 240 V AC, the flexible cord must be Type H05VV-F three-conductor, 0.75 mm² or 1.00 mm² conductor size, with plug BS 1363/A with BSI or ASTA marks.

12 Swelling or deformation of notebook battery

To protect your hardware from potential damage, HP recommends that if you are experiencing battery swelling, stop using the notebook until you can replace the battery.

You can contact HP to understand what battery replacement options are available. To learn more about Lithium-ion batteries and the factors that can accelerate battery swelling, see https://support.hp.com/us-en/document/ish_6824662-6824706-16.

Swollen notebook batteries

You might notice that your notebook battery has become somewhat deformed or swollen over time. In some cases, the battery swelling might be significant enough to impact other components of the system including the touchpad, keyboard, and chassis.

Swollen battery is not a safety issue

A swollen battery does not present a safety issue. It is the result of the generation of gases per the normal degradation of the battery cell over time.

HP has worked closely with our battery cell suppliers and third-party industry experts to help minimize the potential for HP batteries to swell over time and to identify that swollen batteries are not a safety issue.

Discontinue using a swollen battery

To protect your hardware from potential damage, HP recommends that, if you are experiencing battery swelling, you stop using the notebook until the battery can be replaced.

You can contact <https://www.hp.com/go/contacthp> to understand what battery replacement options are available.

Replace a swollen battery

If a battery is under warranty, HP will replace the battery per the terms and conditions of the HP Worldwide Limited Warranty or applicable HP Care Packs.

For batteries no longer under warranty, contact HP to purchase a genuine HP replacement battery.

Minimize battery swelling

Multiple factors can accelerate battery swelling.

To help mitigate battery swelling over time, you can use either HP Adaptive Battery Optimizer (consumer notebooks) or HP Battery Health Manager (commercial notebooks) settings to improve battery longevity and performance for various use scenarios.

HP Adaptive Battery Optimizer (consumer notebooks)

HP Adaptive Battery Optimizer technology can help mitigate the factors that cause the battery to swell. It is available on select HP OMEN, HP Spectre, HP Pavilion, and HP ENVY notebook computers.

HP Adaptive Battery Optimizer has been available on select gaming notebooks since 2019 and select consumer notebooks since 2020. To learn more about enabling HP Adaptive Battery Optimizer on your HP notebook, see <https://support.hp.com/us-en/document/c06310986>.

HP Battery Health Manager (commercial notebooks)

HP Battery Health Manager provides an easy-to-manage solution to help mitigate factors that cause the battery to swell. It is available on select HP ProBook and HP EliteBook notebook computers.

HP Battery Health Manager is available on select commercial notebooks manufactured since 2016. To learn more about HP Battery Health Manager, see https://support.hp.com/us-en/document/ish_4449597-3519507-16.

13 Recycling

When a nonrechargeable or rechargeable battery has reached the end of its useful life, do not dispose of the battery in general household waste. Follow the local laws and regulations in your area for battery disposal.

HP encourages customers to recycle used electronic hardware, HP original print cartridges, and rechargeable batteries. For more information about recycling programs, see the HP website at <http://www.hp.com/recycle>.

Index

- A**
 - AC adapter and battery light, identifying 9
 - AC adapter, spare part number 22
 - action key, identifying 14
 - antenna
 - illustrated 22
 - spare part number 22
 - audio board
 - removal 62
 - spare part number 62
 - audio-out (headphone)/audio-in (microphone) combo jack, identifying 8
 - audio, product description 2
- B**
 - backup, creating 88
 - backups 88
 - battery
 - illustrated 20
 - spare part number 20
 - battery swelling 97
 - bezel
 - illustrated 21
 - spare part numbers 21
 - BIOS
 - determining version 79
 - downloading an update 80
 - starting the Setup Utility 79
 - updating 79
 - Bluetooth label 16
 - boot order, changing 90
 - bottom components 15
 - bottom cover
 - illustrated 20
 - removal 33
 - spare part number 33
 - spare part numbers 20
 - buttons
 - left touchpad 12
 - power 15
 - right touchpad 12
- C**
 - calculator key, identifying 14
 - camera
 - identifying 11
 - camera light, identifying 10
 - camera module
 - illustrated 21
 - spare part number 21
 - camera privacy cover, identifying 11
 - caps lock light 13
 - caring for your computer 28
 - cautions
 - electrostatic discharge 24, 25
 - chipset
 - chipset, product description 1
 - product description 1
 - cleaning your computer 28
 - caring for wood veneer 30
 - disinfecting 29
 - HP Easy Clean 28
 - removing dirt and debris 28
 - components
 - bottom 15
 - display 9, 10
 - keyboard area 11
 - left side 7
 - lights 12
 - rear 8
 - right side 7
 - touchpad 11, 12
 - computer major components 17
 - computer specifications 91
 - connectors
 - power 8, 9
 - control zone 12
- D**
 - display
 - specifications 91
 - display assembly
 - subcomponents 20
 - display back cover
 - illustrated 22
 - spare part numbers 22
 - display components 9, 10
 - display panel
 - illustrated 21
 - spare part numbers 21
 - display panel cable
 - illustrated 22
 - spare part number 22
- E**
 - electrostatic discharge (ESD) 24, 25
 - preventing damage 24-26
 - esc key, identifying 14
- F**
 - fan kit
 - illustrated 20, 54
 - removal 54
 - spare part number 54
 - spare part numbers 20, 54
 - fn key, identifying 14
 - fn lock light, identifying 13
- G**
 - graphics controller, product description 1
 - grounding methods 24-26
 - guidelines
 - packaging 24, 30
 - transporting 24, 30
 - workstation 24
- H**
 - hard drive
 - product description 2
 - specifications 91
 - HDMI port
 - identifying 9
 - heat sink
 - illustrated 19
 - spare part numbers 19
 - heat sink/fan assembly
 - removal 52
 - spare part number 52
 - hinge
 - illustrated 22
 - spare part numbers 22
 - HP PC Hardware Diagnostics UEFI
 - downloading 85
 - failure ID code 84

- HP Hotkey Support
 - software 85
 - starting 84, 85
 - using 84
 - HP PC Hardware Diagnostics Windows
 - accessing 82, 83
 - downloading 83
 - failure ID code 82
 - installing 84
 - using 82
 - HP Recovery media
 - recovery 89
 - HP Sure Recover 90
- I**
- illustrated parts catalog 17
 - integrated numeric keypad, identifying 14
 - internal microphones, identifying 10
 - IR board
 - removal 61
 - spare part numbers 61
 - IR sensor board
 - illustrated 19
 - spare part number 19
- J**
- jacks
 - audio-out (headphone)/audio-in (microphone) 8
 - network 9
 - RJ-45 (network) 9
- K**
- keyboard
 - product description 3
 - keypad, integrated numeric 14
 - keys
 - action 14
 - calculator 14
 - esc 14
 - fn 14
 - num lock 14
 - OMEN 14
 - Windows 14
 - Windows Copilot 14
- L**
- labels
 - Bluetooth 16
 - regulatory 16
 - serial number 16
 - service 16
 - wireless certification 16
 - WLAN 16
 - left control zone, identifying 12
 - left side components 7
 - lights
 - AC adapter and battery 9
 - camera 10
 - caps lock 13
 - fn lock 13
 - mute 13
 - power 13
 - RJ-45 (network) status 9
 - touchpad 12, 13
 - low blue light mode 10
- M**
- memory module
 - product description 2
 - memory modules
 - removal 46
 - spare part numbers 46
 - microphone
 - product description 2
 - model name 1
 - mute light, identifying 13
- N**
- network jack, identifying 9
 - num lock key, identifying 14
- O**
- OMEN key, identifying 14
 - operating system, product description 4
- P**
- packaging guidelines 24, 30
 - pointing device, product description 3
 - ports
 - HDMI 9
 - product description 3
 - USB 7, 9
 - USB Type-C power connector and Thunderbolt port with HP Sleep and Charge and DisplayPort output 8
 - power button, identifying 15
 - power connector
 - identifying 8, 9
 - power cord
 - requirements for all countries 94
 - requirements for specific countries and regions 94
 - set requirements 94
 - power light, identifying 13
 - power requirements, product description 3
 - primary storage
 - product description 2
 - processor
 - product description 1
 - processor, product description 1
 - product description
 - audio 2
 - graphics controller 1
 - hard drive 2
 - keyboard 3
 - memory module 2
 - microphone 2
 - operating system 4
 - pointing device 3
 - ports 3
 - power requirements 3
 - primary storage 2
 - product name 1
 - RJ-45 (network) 2
 - security 4
 - sensors 3
 - serviceability 6
 - solid-state drive 2
 - video 2
 - wireless 2
 - product name 1
 - product name and number, computer 16
- R**
- rear components 8
 - recovery 88
 - discs 89
 - media 89
 - USB flash drive 89
 - recovery media 88
 - creating using HP Cloud Recovery Download Tool 88
 - creating using Windows tools 88
 - regulatory information
 - regulatory label 16
 - wireless certification labels 16

- Remote HP PC Hardware
 - Diagnostics UEFI settings
 - customizing 87
 - using 86
- removal and replacement
 - procedures 33, 49
 - solid-state drive, primary 55
 - solid-state drive, secondary 42
- restoring 88
- restoring and recovery
 - methods 89
- right control zone, identifying 12
- right side components 7
- RJ-45 (network)
 - product description 2
- RJ-45 (network) jack door
 - removal 56
 - spare part numbers 56
- RJ-45 (network) jack, identifying 9
- RJ-45 (network) status lights, identifying 9

S

- security, product description 4
- sensors
 - product description 3
- serial number, computer 16
- service labels, locating 16
- serviceability, product description 6
- solid-state drive
 - illustrated 19
 - product description 2
 - spare part numbers 19
 - specifications 92
- solid-state drive, primary
 - removal and replacement 55
- solid-state drive, secondary
 - removal and replacement 42
- spare part country codes 77
- speaker
 - illustrated 20
 - removal 50
 - spare part number 20, 50
- speakers 16
- special keys
 - identifying 13
 - using 13
- specifications
 - computer 91
 - display 91
 - hard drive 91
 - solid-state drive 92

- static electricity 24, 25
- support information 30
- swelling or deformation of notebook battery 97
- system board
 - illustrated 18
 - removal 56
 - spare part numbers 18, 56
- system restore 89
- system restore point, creating 88

T

- top cover with keyboard
 - spare part numbers 77
- touchpad
 - illustrated 18
 - removal 64
 - settings 11, 12
 - spare part numbers 18, 64
- touchpad buttons
 - identifying 12
- touchpad components 11
- touchpad light, identifying 12, 13
- touchpad settings, adjusting 11
- touchpad zone, identifying 12
- transporting guidelines 24, 30
- traveling with the computer 16

U

- ULL board
 - illustrated 19
 - removal 63
 - spare part number 19
 - spare part numbers 63
- USB board
 - illustrated 19
 - spare part number 19
- USB board cable
 - removal 51, 60
 - spare part numbers 51, 60
- USB port, identifying 7, 9
- USB Type-C power connector and Thunderbolt port with HP Sleep and Charge and DisplayPort output, identifying 8

V

- vents, identifying 7-9, 16
- video, product description 2

W

- wake-on-voice 10

- Windows
 - backup 88
 - recovery media 88
 - system restore point 88
- Windows Copilot key, identifying 14
- Windows key, identifying 14
- Windows tools, using 88
- wireless antennas, identifying 11
- wireless certification label 16
- wireless, product description 2
- WLAN antenna kit
 - illustrated 22
 - spare part number 22
- WLAN antennas, identifying 11
- WLAN device 16
- WLAN label 16
- WLAN module
 - removal 49
 - spare part numbers 49
- workstation guidelines 24