

EZ Mobile / EZXA7538XX

Installation Instructions

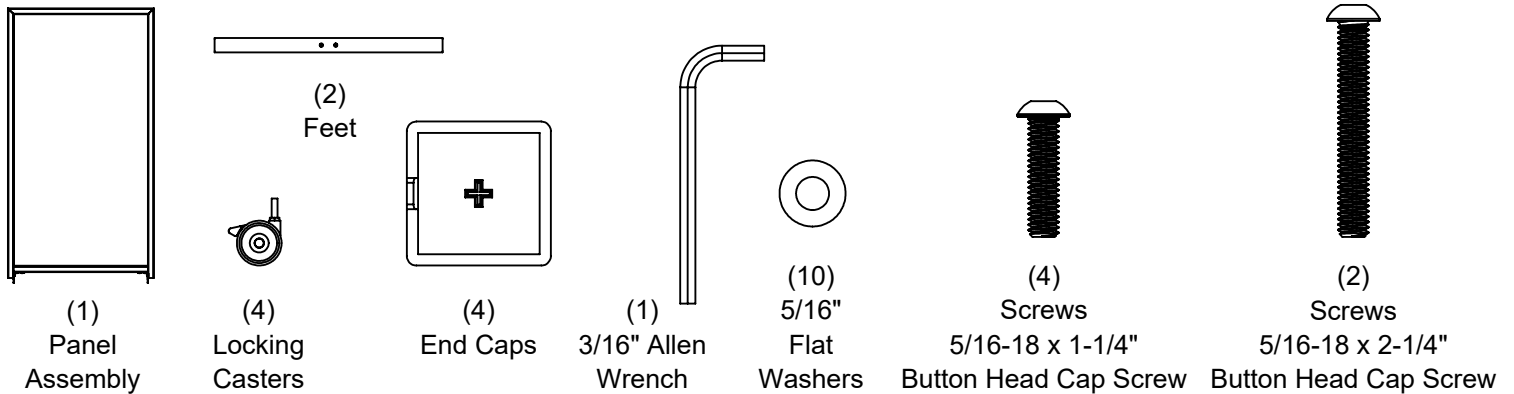


Tools Needed:

- 3/16" Allen Wrench (Provided)
- 9/16" Open End Wrench
- Mallet

Installation Time: 10 Minutes maximum for 2 technicians.

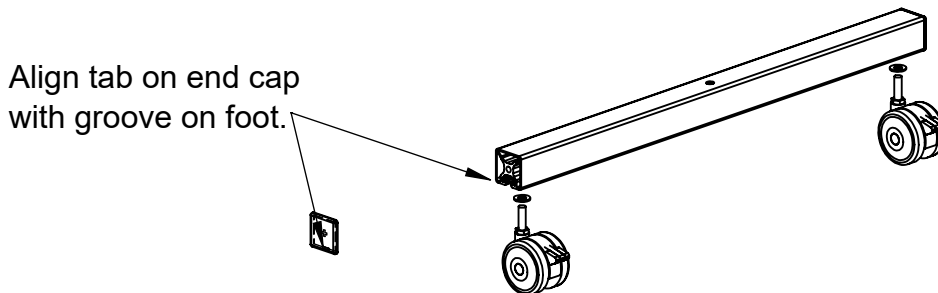
Step 1: Remove and unpack the panel assembly, feet, casters, and hardware.



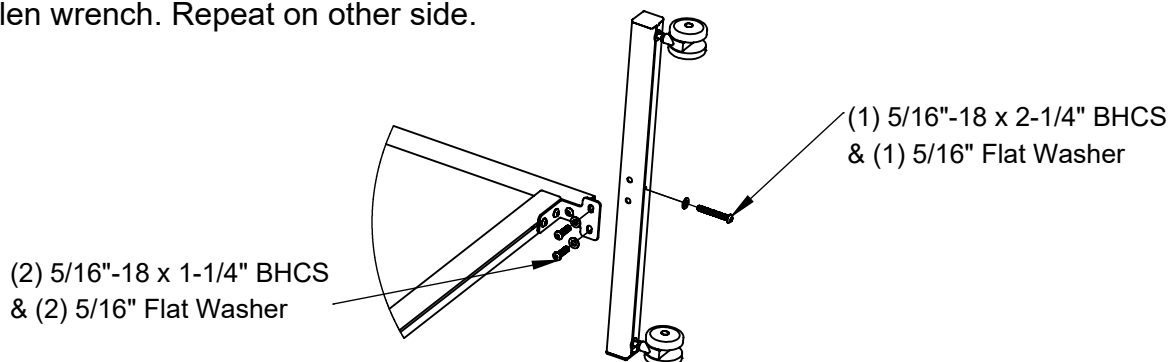
Step 2: With the assistance of two (2) people, place the panel onto a sturdy table.

Step 3: Assemble foot:

- Use the mallet to seat the end caps onto the foot.
- Attach casters with flat washer onto each foot, tighten using 9/16" wrench.



Step 4: Install the foot assembly onto the assembly as shown, tighten hardware accordingly using 3/16" Allen wrench. Repeat on other side.



Step 5: Recycle all packaging materials in accordance with local regulations.