

Quick Installation Guide

Turret IPC & PoE+ NVR KIT

*VIGI 8-channel PoE+ NVR and 4MP network camera are used as an example throughout the Guide. Images may differ from the actual product.

©2024 TP-Link 7106511259 REV1.1.0

1 Hardware Overview

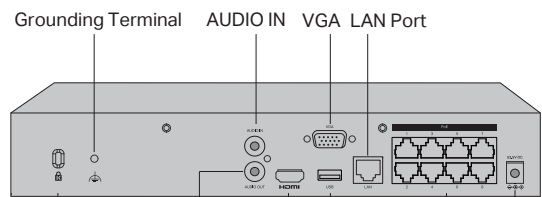
VIGI NVR

Front Panel



LED USB Port

Back Panel



Kensington AUDIO OUT HDMI USB Port PoE Port Power Security Slot

• **Kensington Security Slot:** Secure the lock (not provided) into the security slot to prevent the device from being stolen.

• **Grounding Terminal:** The device comes with lightning protection mechanism.

VIGI Camera

1 Camera Base

2 Reset

Unfasten the two fixed screws to remove the cover. Press for 5 seconds to reset the camera to factory settings.

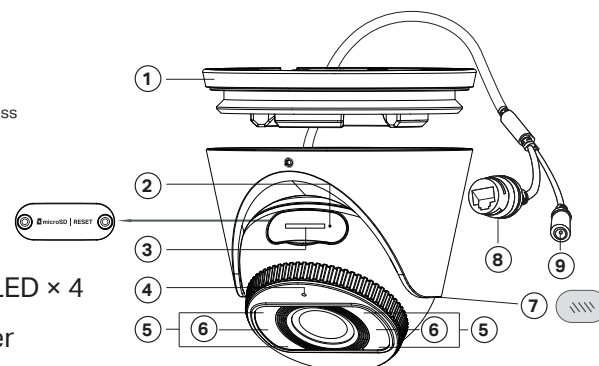
3 microSD Card Slot

Unfasten the two fixed screws to remove the cover. Insert a microSD card for local storage. Initialize the SD card via VIGI app or other management tools before recording videos.

4 Built-in Microphone 5 White LED × 4

6 IR LED × 4 7 Speaker

8 RJ45 Network Interface (supports PoE) * 9 Power Supply Interface (12V DC) *



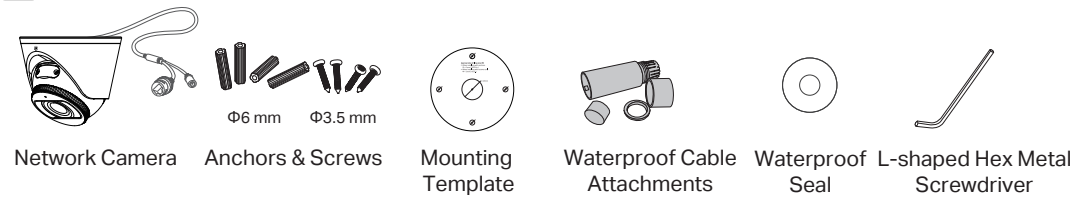
*The camera's standard power supply is 12V DC or PoE (802.3af/at). The power source should comply with Power Source Class 2 (PS2) or Limited Power Source(LPS) of IEC 62368-1.

*Some models do not have the power supply interface. You can check the detailed specifications on the product page at <https://www.tp-link.com/>.

LED	Indication
SYS	On: System is running normally. Off: System is running abnormally.
LAN	On: Network is working properly. Flashing: Data is being transmitted or received. Off: Network is malfunctioning.
HDD	On: The HDD is normal. Off: No HDD or the HDD is malfunctioning.
PoE Max	On: The total PoE power reaches the warning threshold. Flashing: The total PoE power has reached the warning threshold for more than 2 minutes. Off: The total PoE power does not reach the warning threshold.
PoE	On: The port is supplying power normally. Flashing: Overload or short circuit is detected. Off: Not providing PoE power on the port.
Link / Act	On: A device is linked to the port but no activity. Flashing: Transmitting or receiving data. Off: No device is linked to the corresponding port.

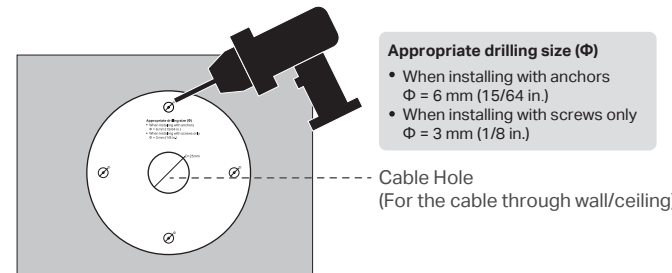
Interface	Description
AUDIO IN / AUDIO OUT	Connector for audio input and output. Note: Audio input only supports microphones with power supply.
HDMI®	Output port for high-definition audio and video signals. Connect your monitor to this port if it uses HDMI connection.
VGA	Output port for analog video signals. Connect your monitor to this port if it uses VGA connection.
USB	2 USB ports for additional devices such as USB mouse, USB storage device, and USB keyboard.
LAN	RJ45 10/100Mbps self-adaptive Ethernet port. Connect to an Ethernet device (eg. router and switch).
PoE	Designed to connect to the device with a bandwidth of 100/10 Mbps. The port can also provide power for PoE PDs (recommended for PoE cameras).
Power	Connector for power input.

2 Mount the Camera



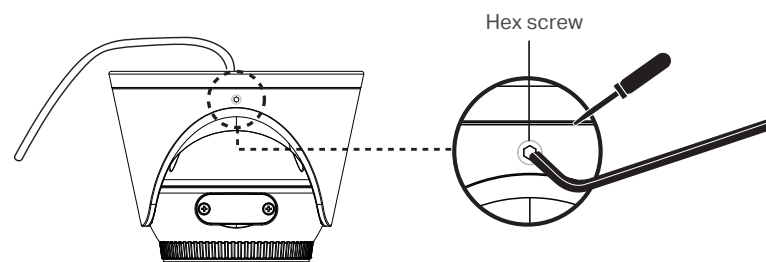
1. Drill Holes

Stick the mounting template to the desired mounting place. Drill 4 screw holes and 1 cable hole (for the cable through wall/ceiling) according to the template.



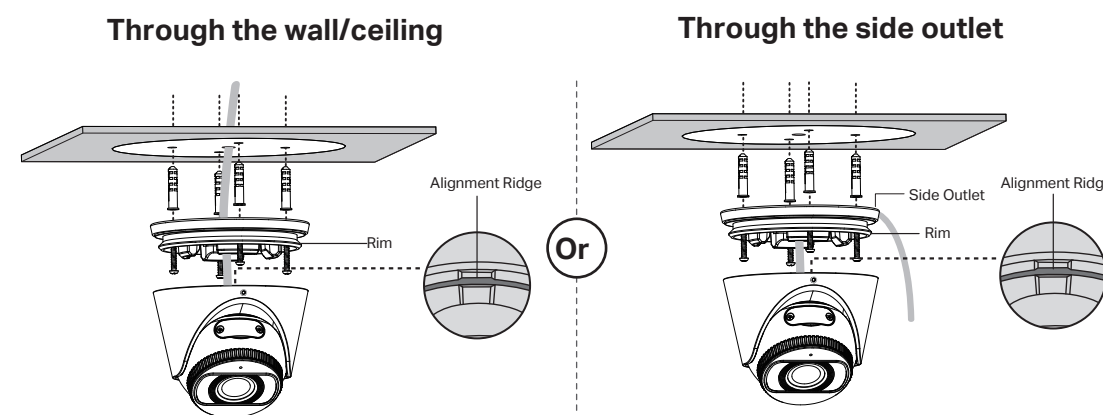
2. Open the Camera Case

Use the L-shaped hex metal screwdriver to loosen the hex screw, and use a screwdriver to gently pry open the camera case.



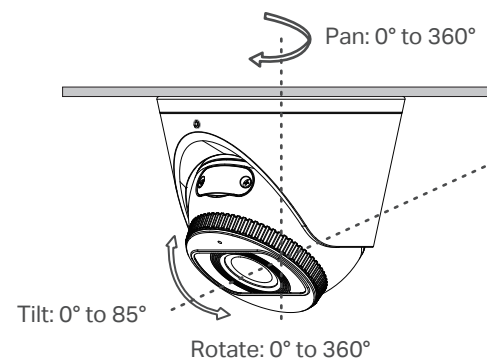
3. Secure the Camera

Insert anchors into the holes and use screws to affix the camera base. Identify the groove and alignment ridge on the camera. Begin by aligning the base's rim with the camera's groove, attaching the ridge side first for a correct fit. Once aligned, proceed to snap the rest of the camera onto the base to secure it.



4. Adjust the Surveillance Angle

Use the L-shaped hex metal screwdriver to loosen the hex screw on the base, and adjust the surveillance angle as needed.

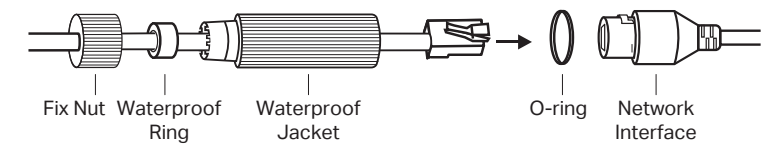


5. Tighten the Hex Screw

Tighten the hex screw to secure the camera to the camera base. Hold the camera and ensure the camera and base are as close together as possible when tightening.

Install Waterproof Cable Attachments

Install the waterproof cable attachments for the network interface if needed. Note: Make sure each part is securely attached and the waterproof rings are flush to keep out water.



1. Route the network cable through the following components in order: fix nut, waterproof ring, and then the waterproof jacket.
2. Fix the O-ring to the network interface of the camera and connect the network cables.
3. Attach the network interface with the waterproof jacket, then twist to lock.
4. Insert the waterproof ring into the waterproof jacket. Rotate the fix nut to secure it to the waterproof jacket.

Install Waterproof Seal for Power Connectors

Install the waterproof seal for the power connectors when using a power adapter to power the camera.

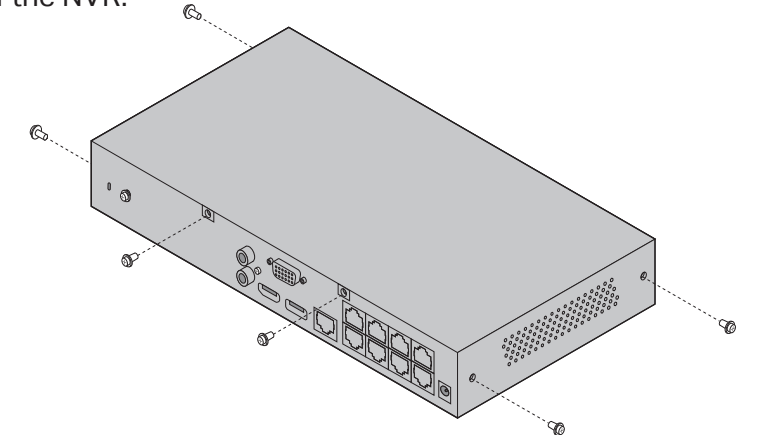


3 Install the NVR

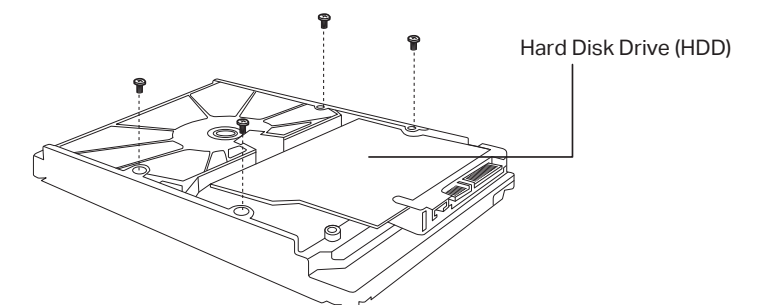


One hard disk drive (HDD) is already installed in the NVR. You can also follow the steps below to reinstall the HDD.

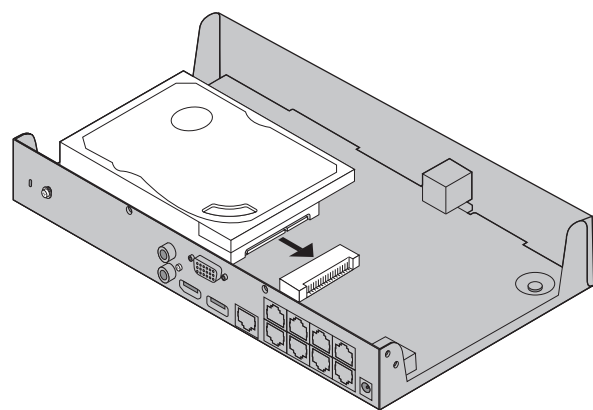
1. Remove the fixing screws on the side and back panels to open the cover of the NVR.



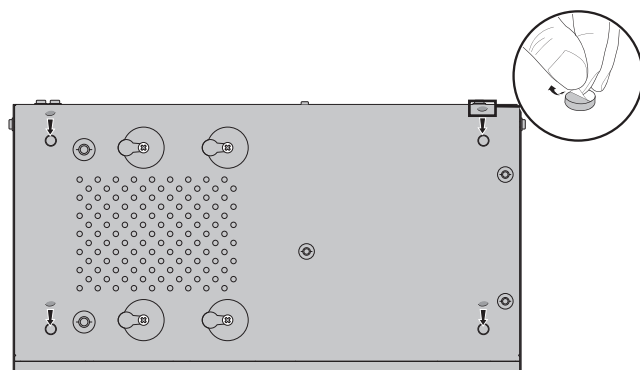
2. Attach the 4 included HDD screws to your hard drive. Do not fasten.



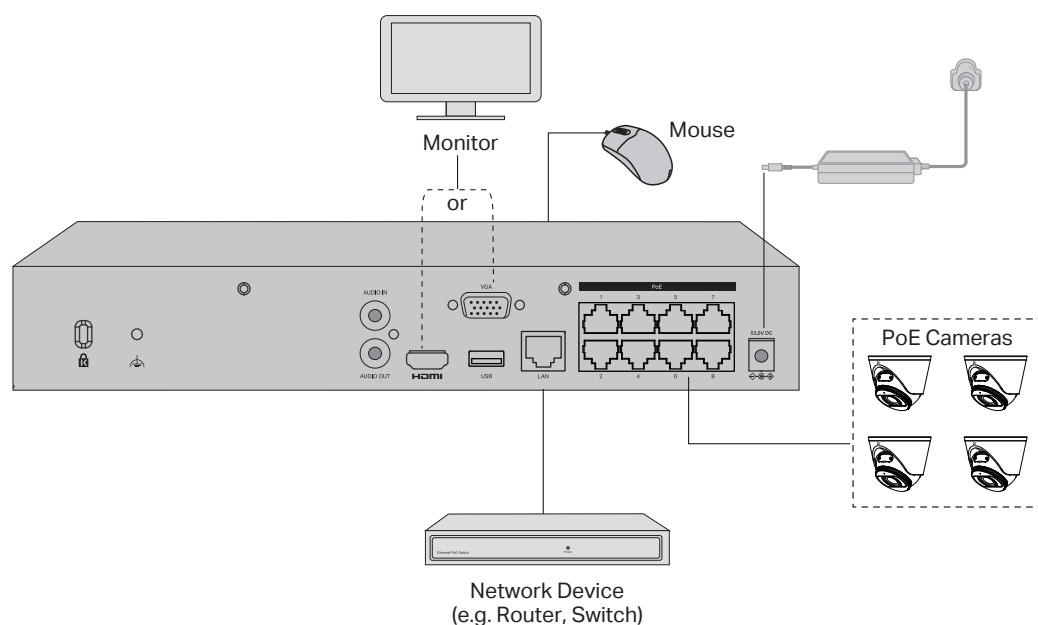
- Match the 4 screws on the HDD with the 4 holes on the NVR, and insert the HDD interface into the slot.



- Flip the NVR upside down and fasten the HDD screws. Replace the cover and fasten the screws of the NVR. Stick the rubber feet.



4 Hardware Connection



Follow the steps below to complete the hardware connection.

- Connect your monitor to the HDMI or VGA port according to the connection port it supports.
- Connect your monitor to a power source and turn it on.
- Connect the LAN port of the NVR to a network device with an Ethernet cable.
- Connect the provided USB Mouse to the USB Interface of the NVR.
- Connect the power adapter to the NVR.

⚠ Cautions

- If you want to turn off the NVR after installing the hard drive, right click on the Live View screen and click the Power button on **Main Menu** of your monitor. Do not unplug it directly.
- The input voltage should match the power requirements of the NVR.
- The buzzer on the NVR may be triggered when no hard drive is installed or the hard drive in the NVR hasn't been initialized. You can turn it off in **Event-Exception Detection-Disk Exception**.

5 Configuration

NVR can add and manage cameras in batches.

- Connect all cameras to the PoE ports of the NVR.
- Confirm the system information and change the information if needed. Configure the account settings which will be used for future logins and adding cameras. You will also see that all cameras in the network listed.
- Click **Next**, the camera will be added automatically, and you will see the Live View screen.

Note: If you want to add cameras manually step by step, click the **Setup Wizard** to manually add cameras to the network and complete the setup.

(Optional) 4. Click **Bind TP-Link ID** to bind your NVR to a TP-Link ID for remote access and management.

Note:

- Make sure your NVR can get access to the internet before binding.
- If you don't have a TP-Link ID, sign up first.
- If your NVR fails to connect to the Internet, please refer to **FAQ-Q3**.
- For more instructions, please refer to the NVR's User Guide.

- If you want to add unprovisioned VIGI cameras after setup, just connect the cameras to the same network as the NVR and they will be added automatically. The password preset for cameras during setup will be applied to the unset cameras.
- If you want to add a preconfigured VIGI camera or a third-party camera after setup, follow these steps:
 - Right-click the **Live View** screen and click **Add Camera**.
 - Select a camera and click **+** to add the camera directly. If the connection status is **Not certified**, click the **Edit** icon and enter the camera's password to verify it. If you have disabled **Plug and Play** on your NVR, enter the camera's password to add it.

More Management Methods

Method 1: Via the TP-Link VIGI App

Remotely view live video, manage NVR, and get instant alerts.

- Download and install the TP-Link VIGI app.



- Open the app and log in with your TP-Link ID. If you don't have an account, sign up first.

- Tap the **+** button on the top right and follow the app instructions to add your NVR.

Method 2: Via a Web Browser

View live video and modify NVR settings via a web browser.

- Find the NVR's IP address on your router's client page.
- On your local computer, open a web browser and enter **https://NVR's IP address** (https://192.168.0.240 by default).
- Follow the web instructions to initialize the NVR and add cameras.

Method 3: Via the VIGI Security Manager (Windows only)

View live video and modify NVR settings on your computer.

- Download the **VIGI Security Manager** on your computer at <https://www.tp-link.com/support/download/vigi-security-manager/>.
- Install the **VIGI Security Manager** and open it.
- NVR on the same network as your computer can be automatically discovered. Go to **Settings > Discovered Devices**, click **Add**, and follow the instructions to add your NVR.

The terms HDMI, HDMI High-Definition Multimedia Interface, HDMI trade dress and the HDMI Logos are trademarks or registered trademarks of HDMI Licensing Administrator, Inc.

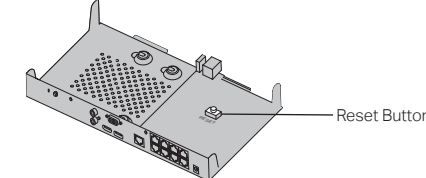
For technical support, the user guide and other information, please visit <https://www.tp-link.com/support>, or simply scan the QR code.



Frequently Asked Questions

Q1. What should I do if I forget the login password of my NVR?

- Click **Forgot Password** on the login page and then follow the instructions to reset the password.
- Remove the cover, then press and hold the **Reset** button inside the NVR for over 3 seconds. The NVR will restore to the factory settings. Then follow **Quick Setup** to create a login password.



Q2. What can I do if no cameras are found?

- Refresh to discover your cameras again.
- Make sure the cameras are powered on.
- Make sure your cameras and NVR or computer are in the same network. If not, use the **VIGI Security Manager** to set camera's network parameters.
- Try to add your cameras manually.
- For other NVR brands, make sure you have activated the camera by setting a password via the **VIGI Security Manager**, **TP-Link VIGI app** or **web management page**.

Q3. What can I do if my NVR fails to connect to the Internet?

- Check if the internet is working properly.
- Make sure your NVR is in the same network segment as your network devices, or select **Auto** as the mode to configure the NVR to obtain a dynamic IP address. For more details, please refer to the NVR's User Guide.

Q4. How do I know the camera is powered on?

- The IR LED will turn on for 10 seconds once the camera is powered on. If it's off, you can cover the lens for several seconds and check if the IR LED turns on.
- Check the Ethernet port LED status of the network device your camera is connected to.

For more questions, please refer to <https://www.tp-link.com/support/faq/2850/>

Safety Information

For NVR

- This device is restricted to indoor use only.
- Keep the device away from water, fire, humidity or hot environments.
- Do not attempt to disassemble, repair, or modify the device.
- Do not use damaged charger or USB cable to charge the device.
- Do not use any other chargers than those recommended.
- Adapter shall be installed near the equipment and shall be easily accessible.
- Use only power supplies which are provided by manufacturer and in the original packing of this product. If you have any questions, please don't hesitate to contact us.
- Avoid disposal of a battery into fire or a hot oven, or mechanically crushing or cutting of a battery, that can result in an explosion.
- Place the device with its bottom surface downward. Install it at stable places, and prevent it from falling.
- The power adapter must be used indoors. Make sure that the temperature of the power adapter is within 0-40°C.
- The plug on the power supply cord is used as the disconnect device, the socket-outlet shall be easily accessible.
- CAUTION: RISK OF EXPLOSION IF BATTERY IS REPLACED BY AN INCORRECT TYPE. DISPOSE OF USED BATTERIES ACCORDING TO THE INSTRUCTIONS.

- This equipment is not suitable for use in locations where children are likely to be present, such as family environment, school, children's playground and so on.

*Some devices may be incompatible, such as wireless mouse.

Please read and follow the above safety information when operating the device. We cannot guarantee that no accidents or damage will occur due to improper use of the device. Please use this product with care and operate at your own risk.

CAUTION!
Avoid replacement of a battery with an incorrect type that can defeat a safeguard.
Avoid disposal of a battery into fire or a hot oven, or mechanically crushing or cutting of a battery, that can result in an explosion. Do not leave a battery in an extremely high temperature surrounding environment that can result in an explosion or the leakage of flammable liquid or gas; Do not leave a battery subjected to extremely low air pressure that may result in an explosion or the leakage of flammable liquid or gas.

CAUTION: Do not ingest battery/Chemical Burn Hazard
This product contains a coin/button cell battery. If the coin/button cell battery is swallowed, it can cause severe internal burns in just 2 hours and can lead to death.
Keep new and used batteries away from children.
If the battery compartment does not close securely, stop using the product and keep it away from children.
If you think batteries might have been swallowed or placed inside any part of the body, seek immediate medical attention.

For Camera

- Do not use any other chargers than those recommended.
- Do not use damaged charger or USB cable to charge the device.
- Do not attempt to disassemble, repair, or modify the device. If you need service, please contact us.
- Adapter shall be installed near the equipment and shall be easily accessible.
- Keep the device away from fire or hot environments. DO NOT immerse in water or any other liquid.

TP-Link hereby declares that the device is in compliance with the essential requirements and other relevant provisions of directives 2014/30/EU, 2014/35/EU, 2011/65/EU and (EU)2015/863.

The original EU Declaration of Conformity may be found at <https://www.tp-link.com/en/support/ce/>

TP-Link hereby declares that the device is in compliance with the essential requirements and other relevant provisions of the Electromagnetic Compatibility Regulations 2016 and Electrical Equipment (Safety) Regulations 2016.

The original UK Declaration of Conformity may be found at <https://www.tp-link.com/support/ukca/>