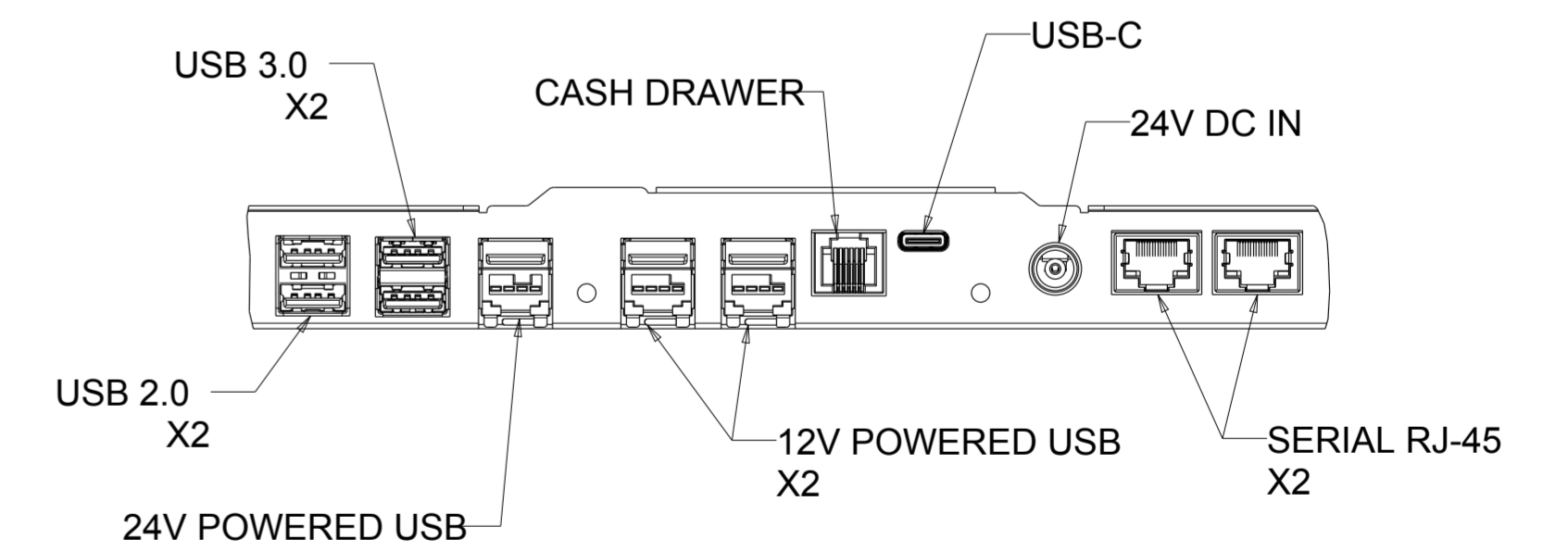
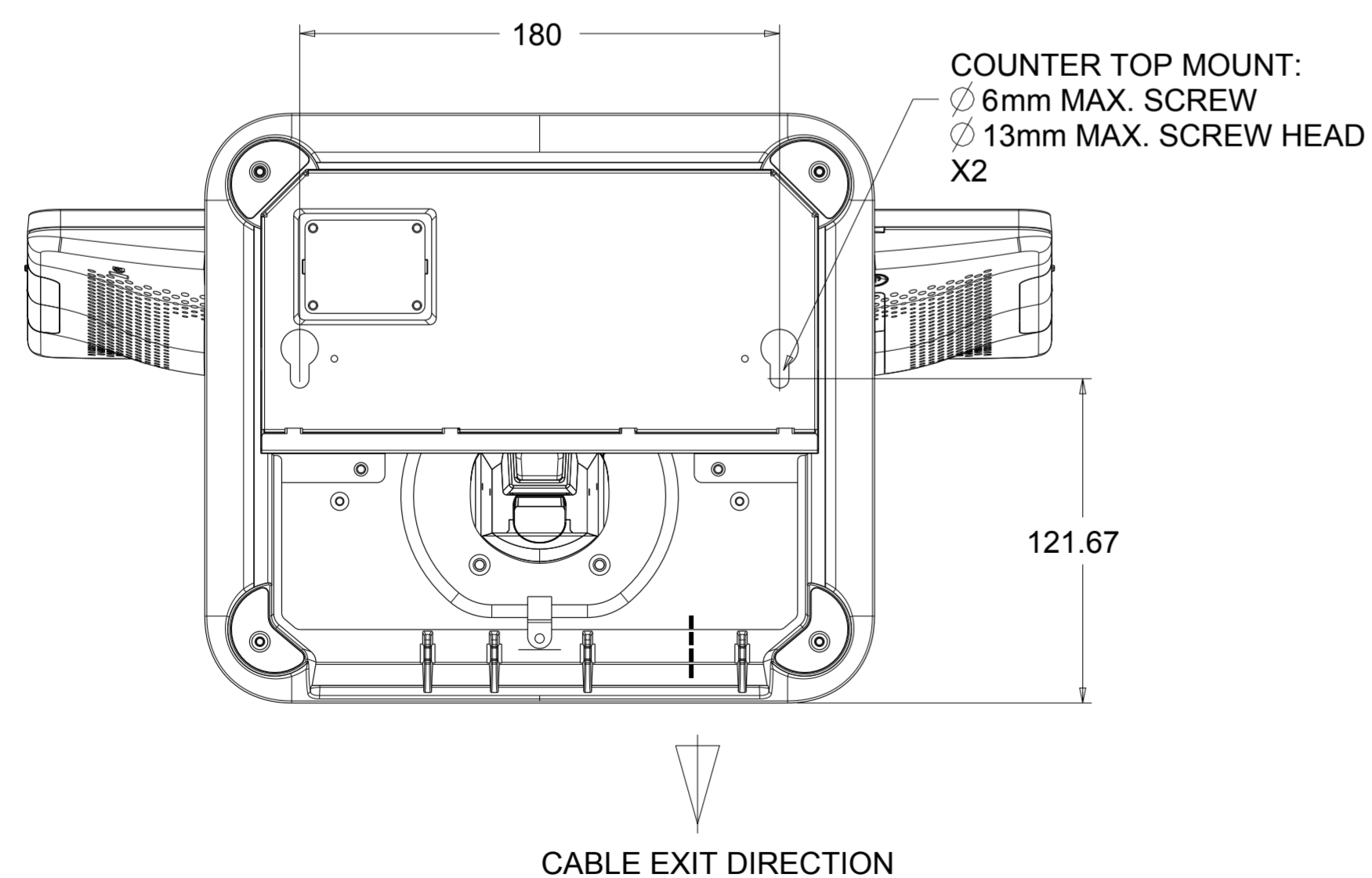
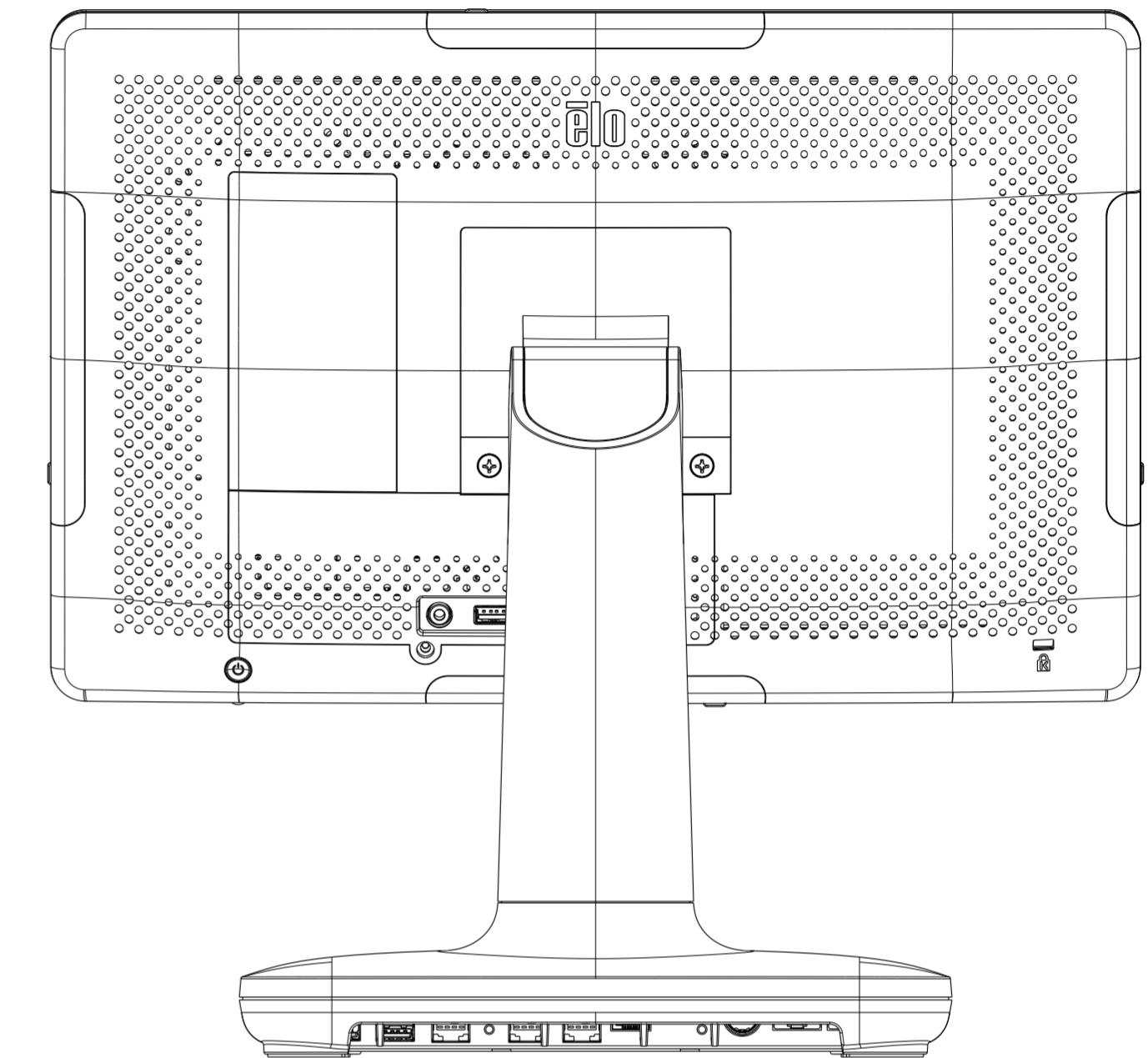
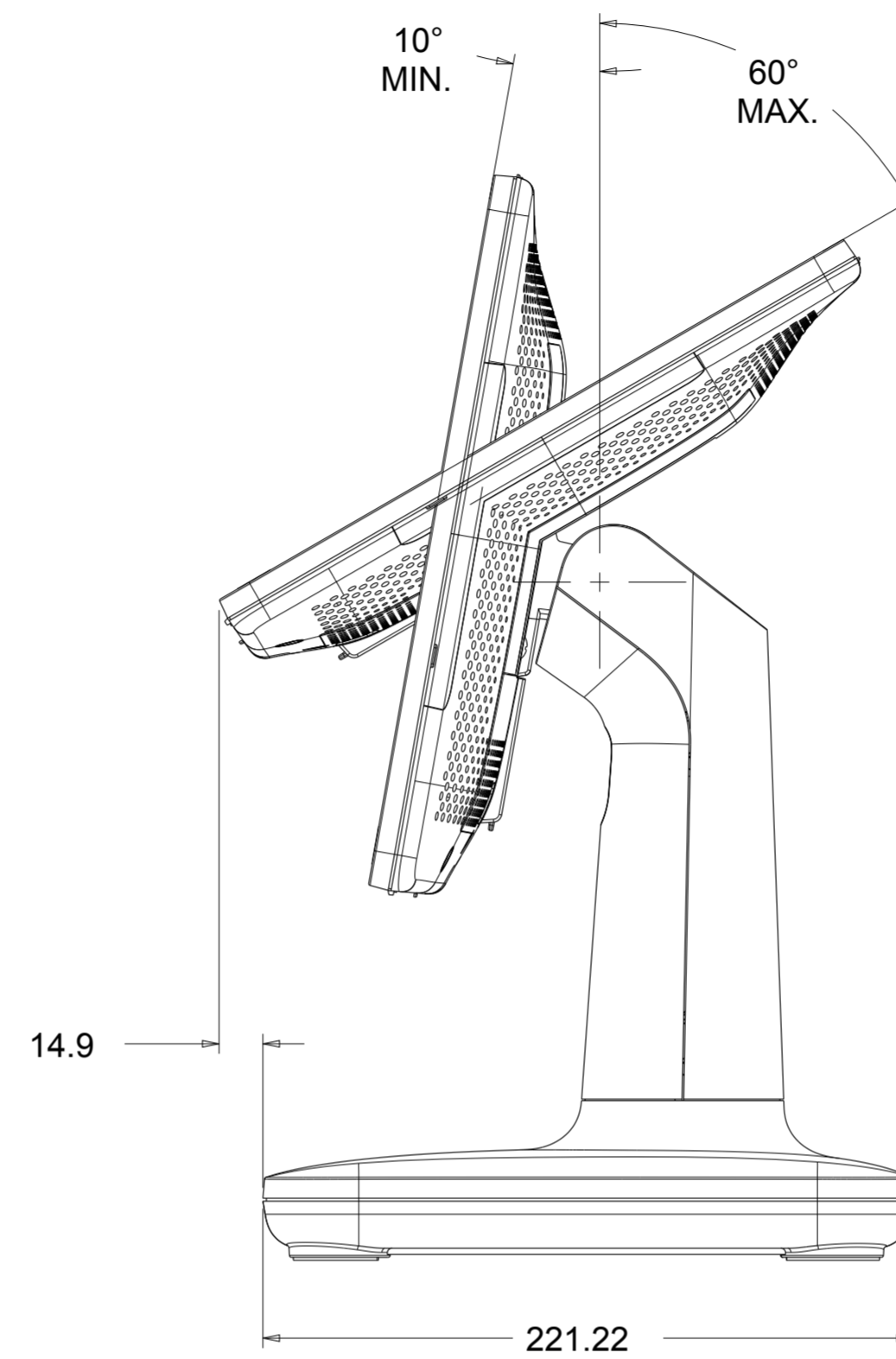
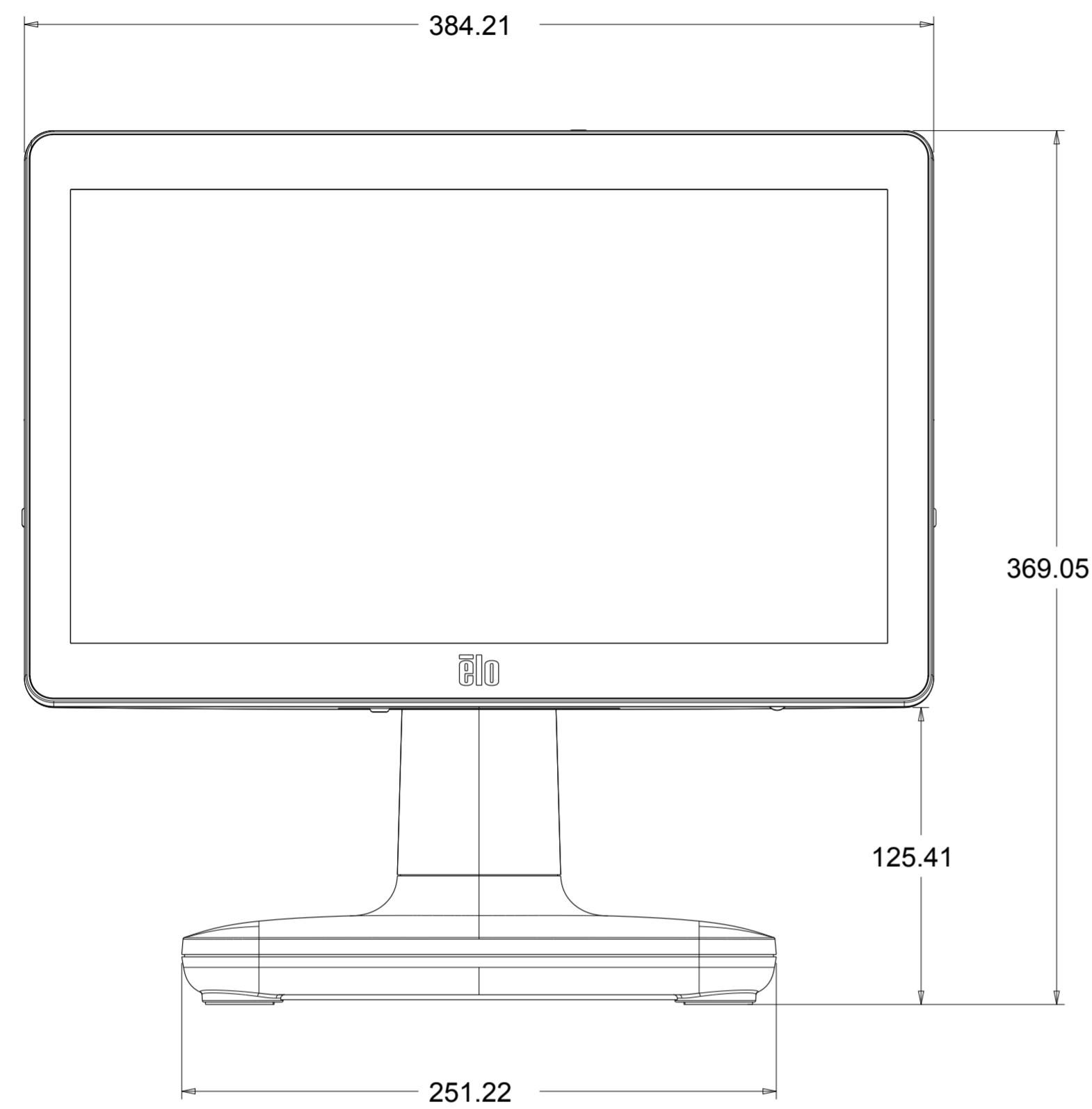


EloPos 15.6" WITH STAND

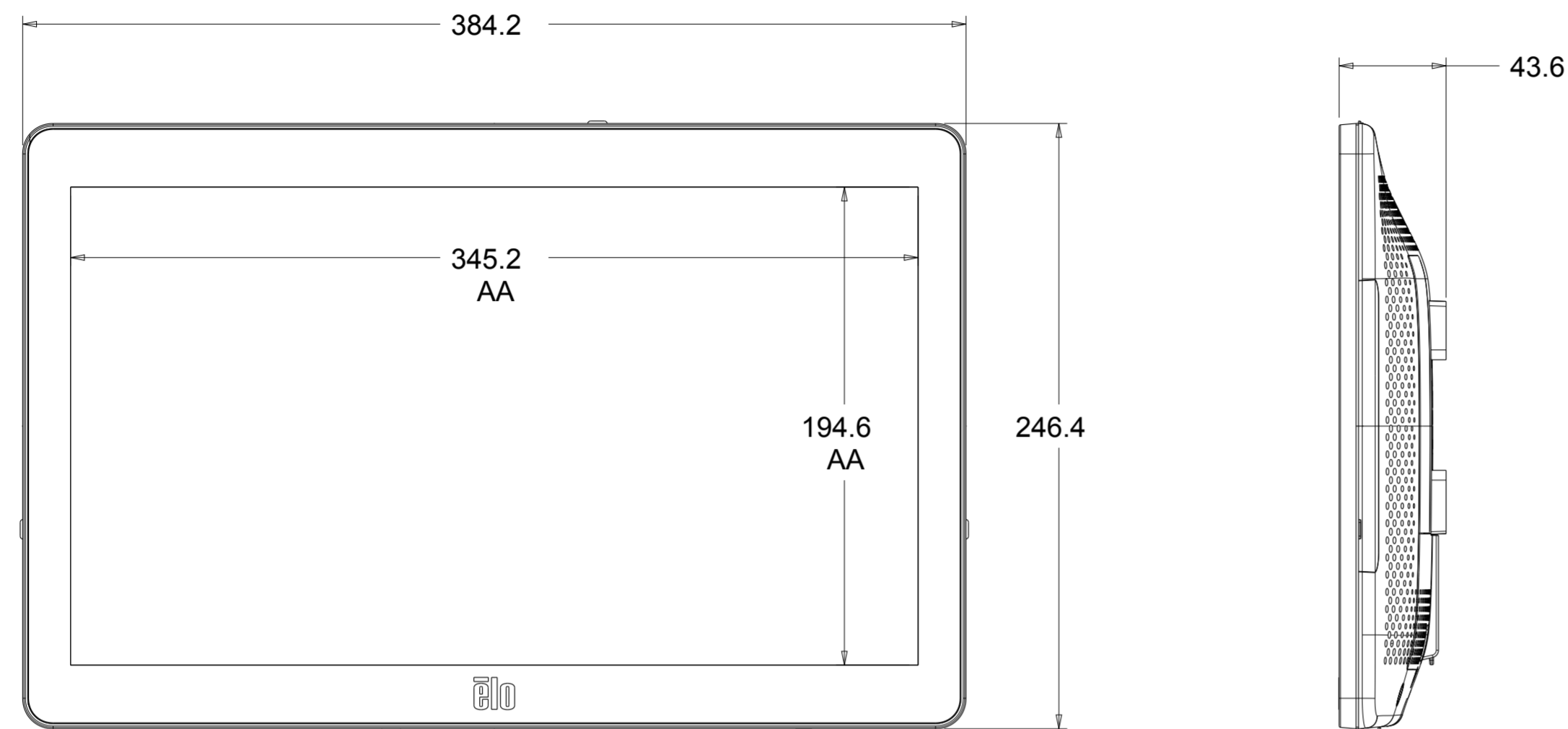
(SEE PG.2 FOR NO STAND VERSION)
(SEE PG.3 FOR CUSTOMER DISPLAY OPTION)

(SEE PG.4 FOR 15" 4x3 VERSION)
(SEE PG.6 FOR 17" 4x3 VERSION)
(SEE PG.8 FOR 22" VERSION)

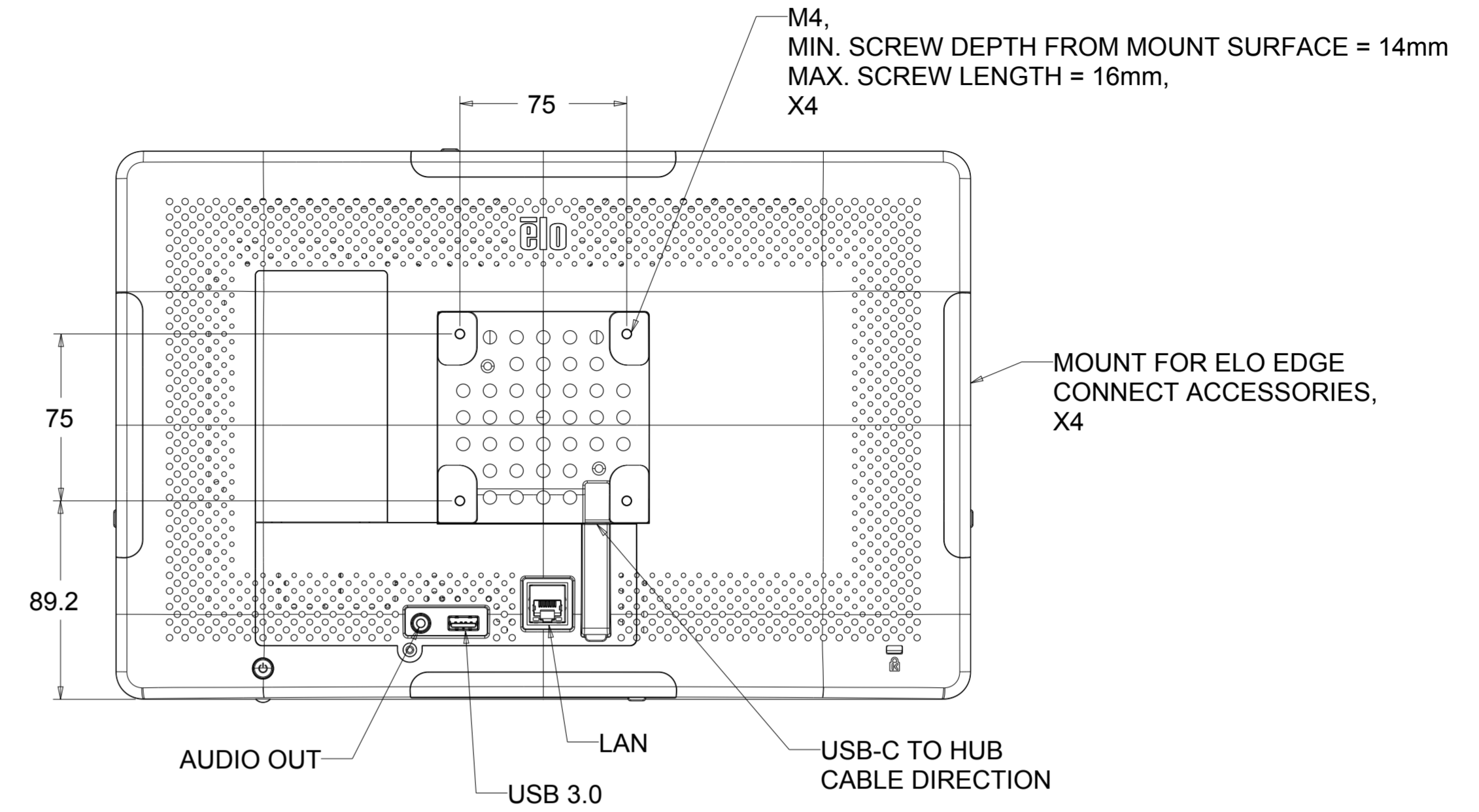


I/O DEFINITION FOR ALL STAND AND HUB MODELS

EloPos 15.6" NO STAND, WITH HUB

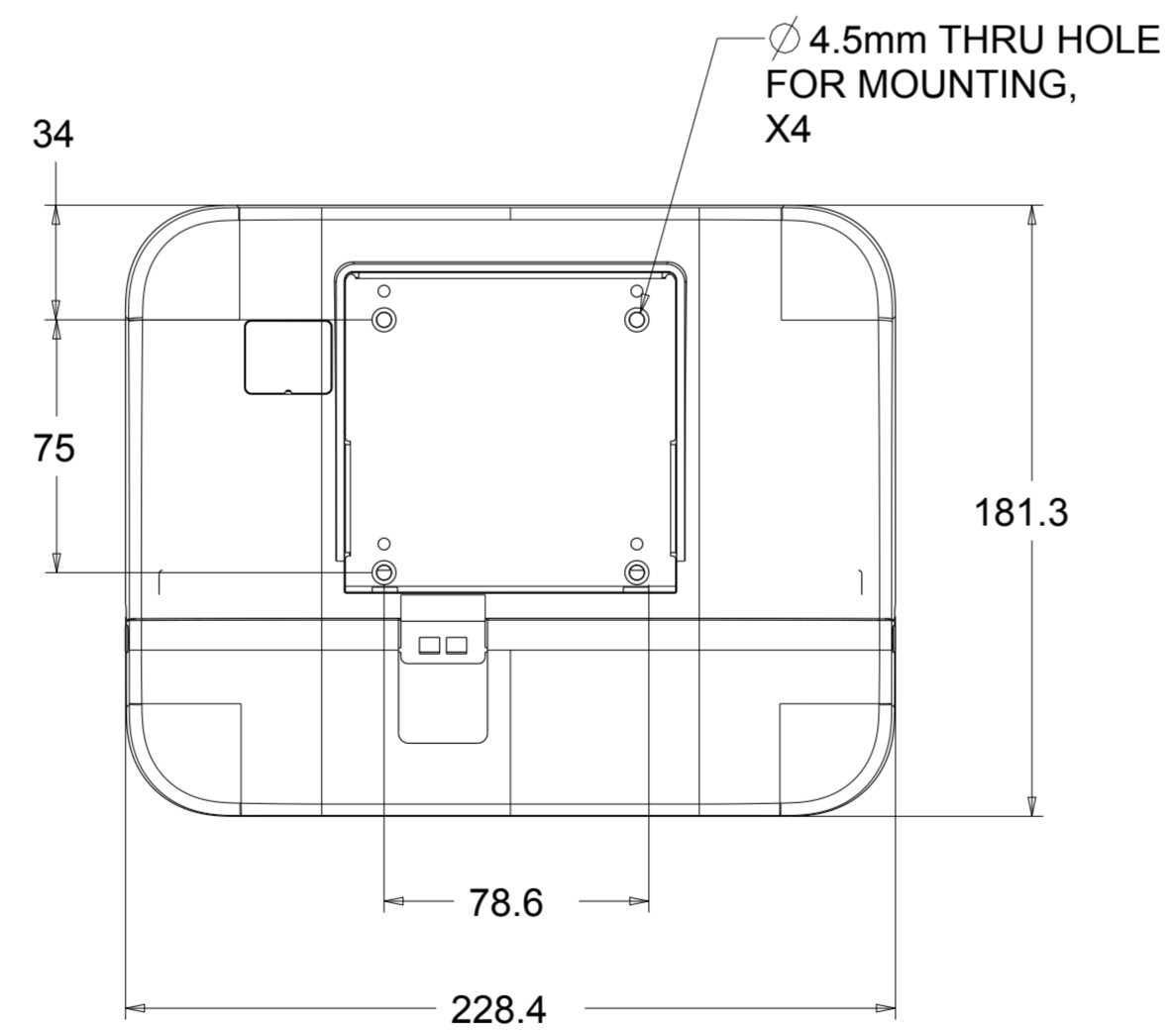
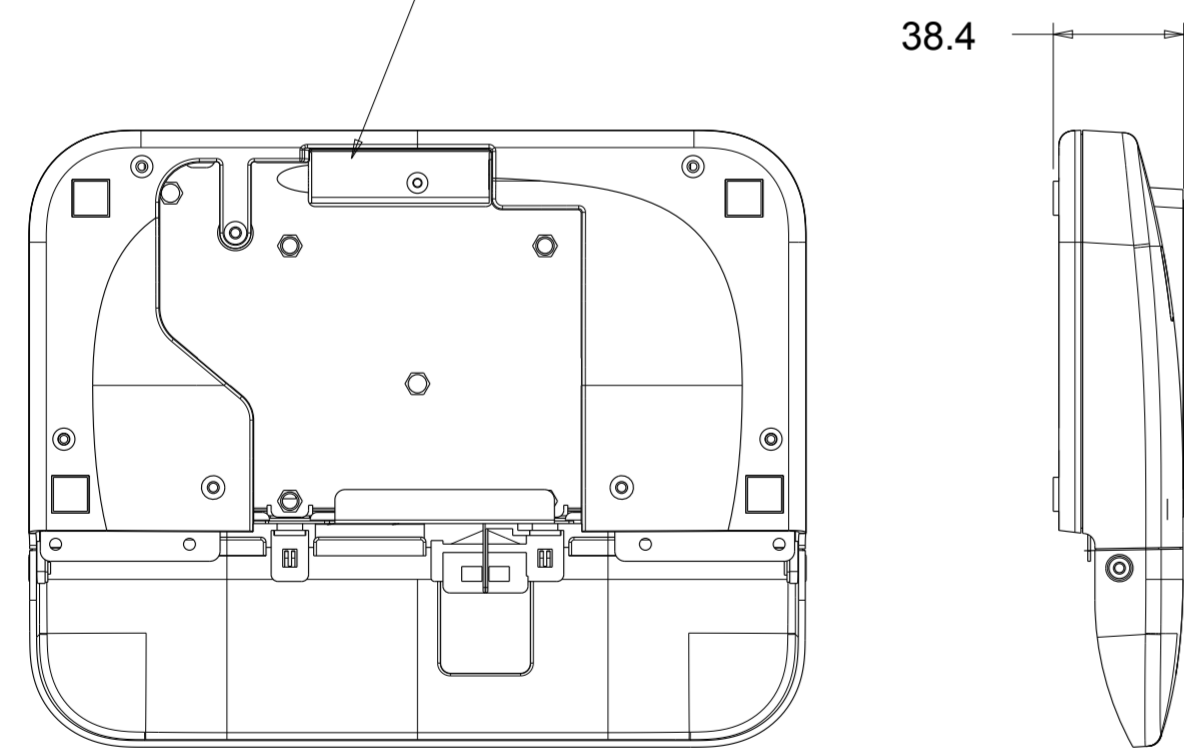


15.6" WITH HUB NOT ATTACHED TO BACK

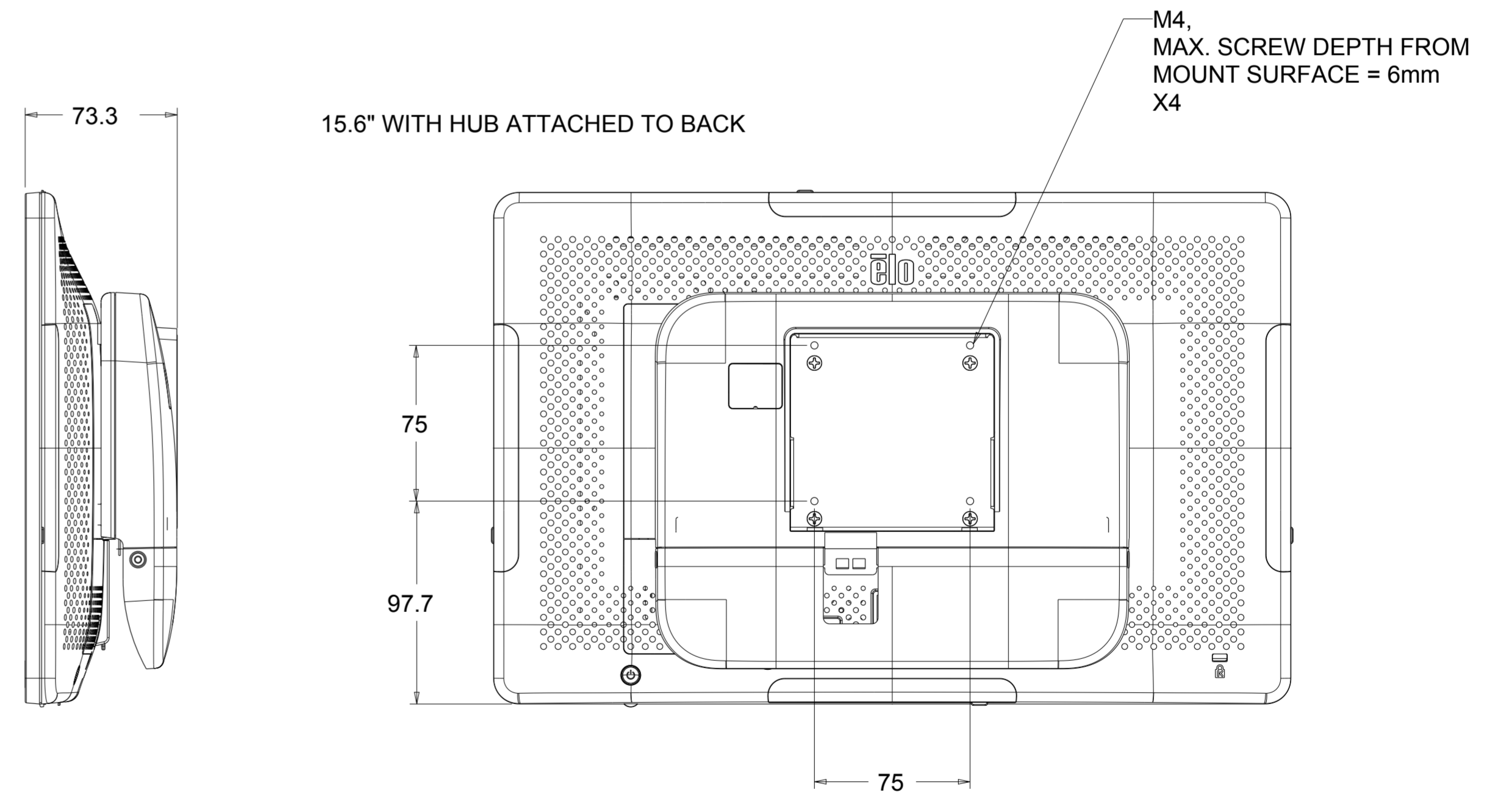


HUB DIMENSIONS
(SEE PG.1 FOR I/O DEFINITION)

USB-C CABLE DIRECTION

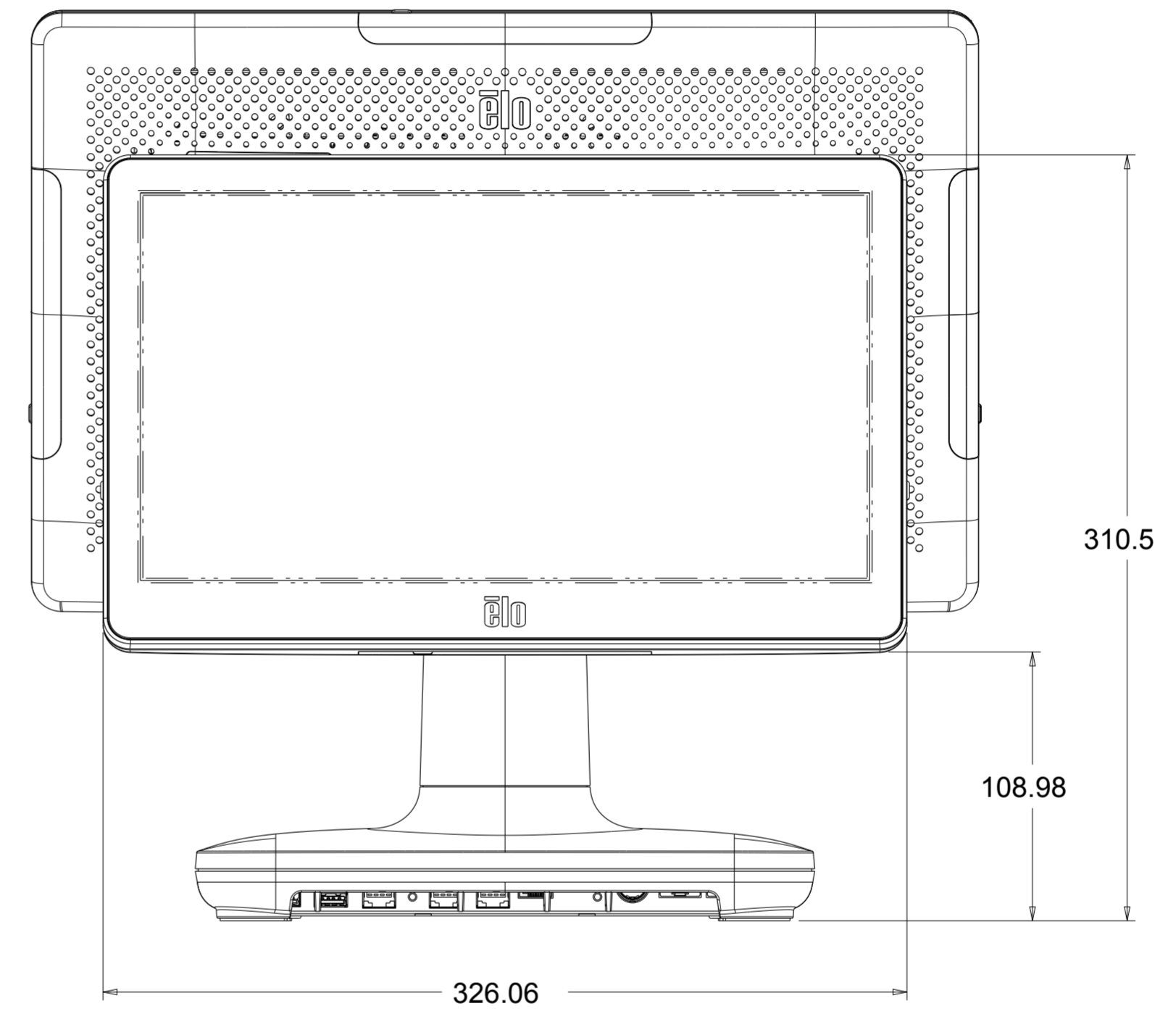
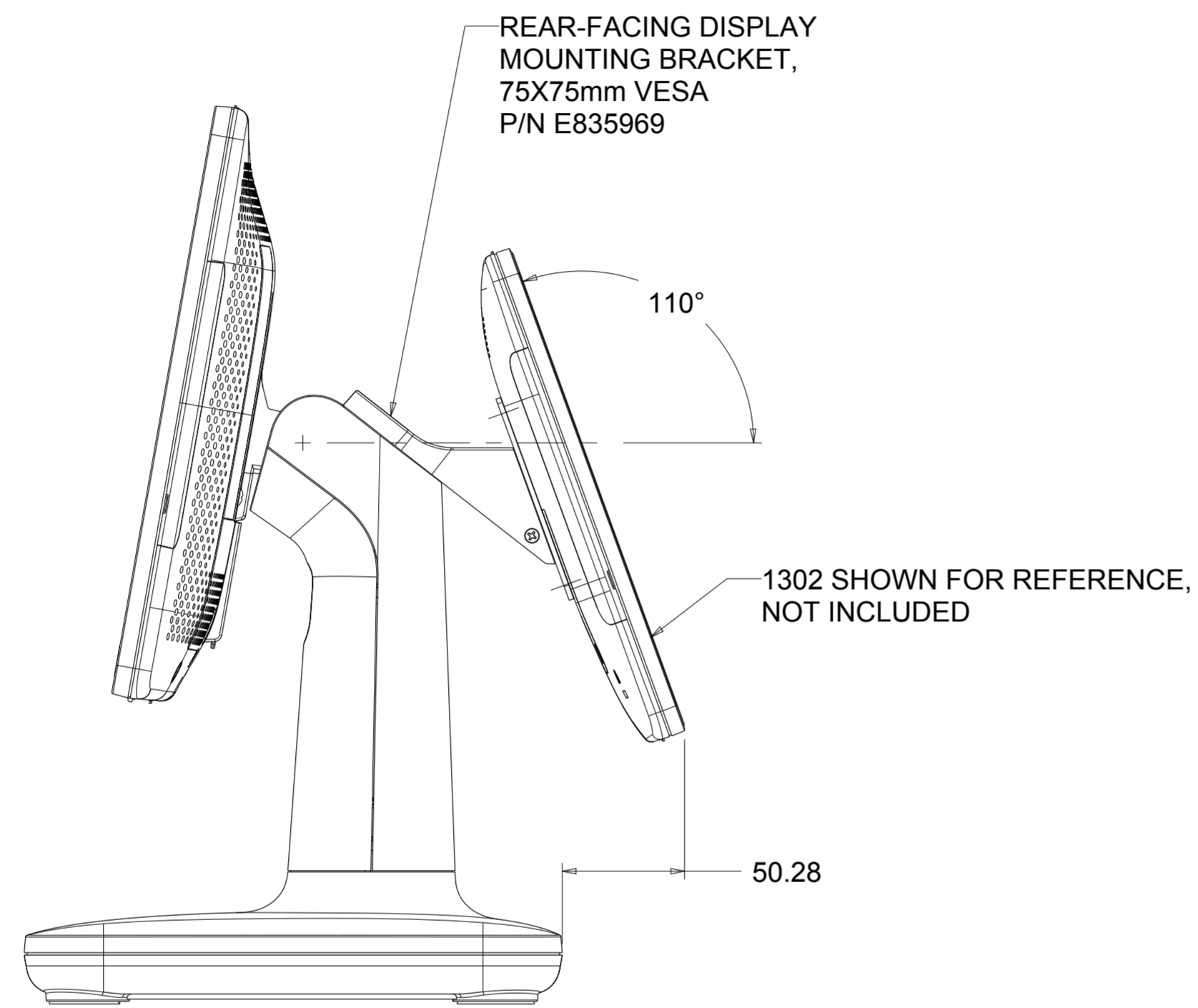


15.6" WITH HUB ATTACHED TO BACK



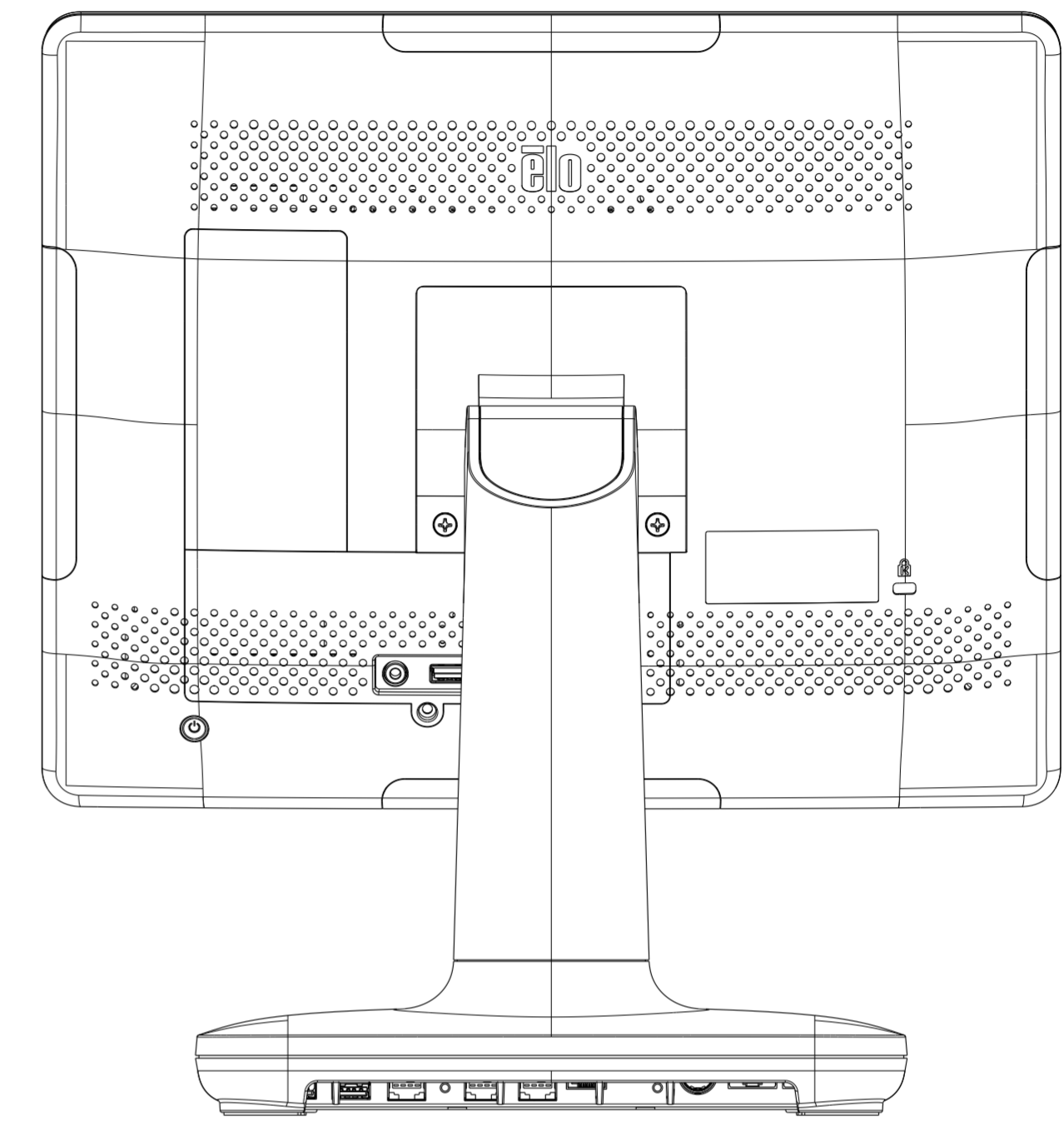
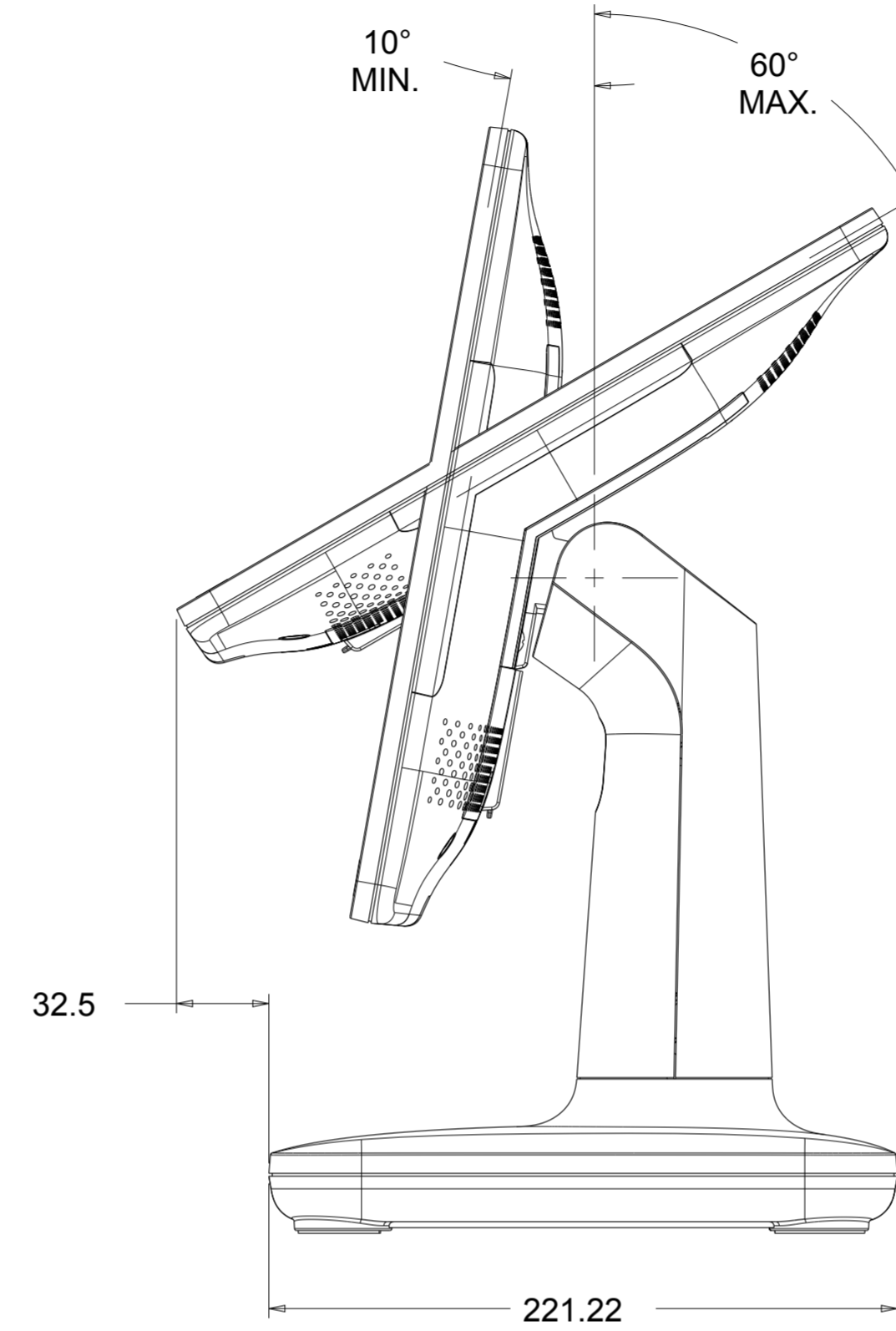
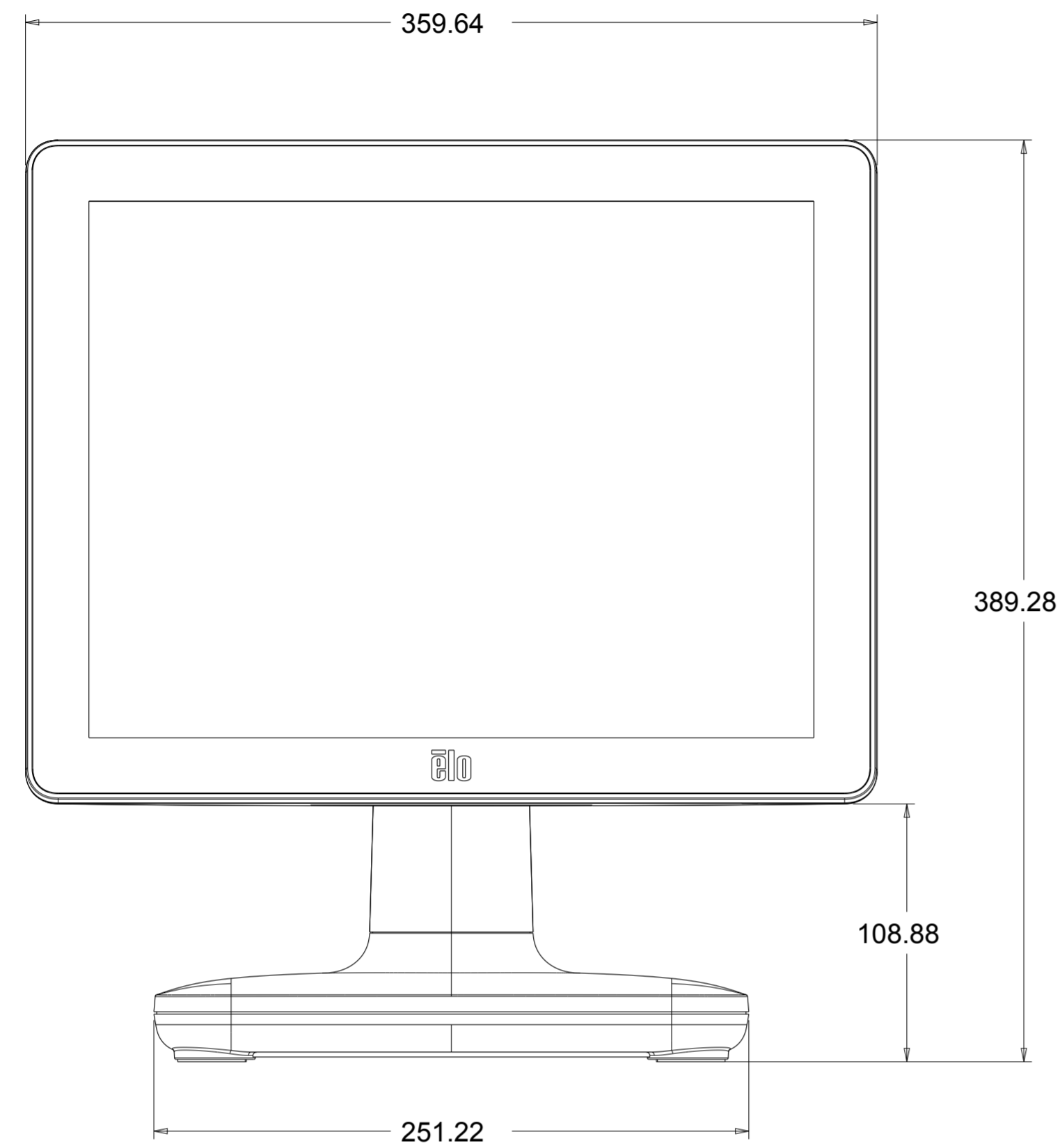
EloPos WITH REAR-FACING DISPLAY MOUNT

(FOR ALL MODELS)

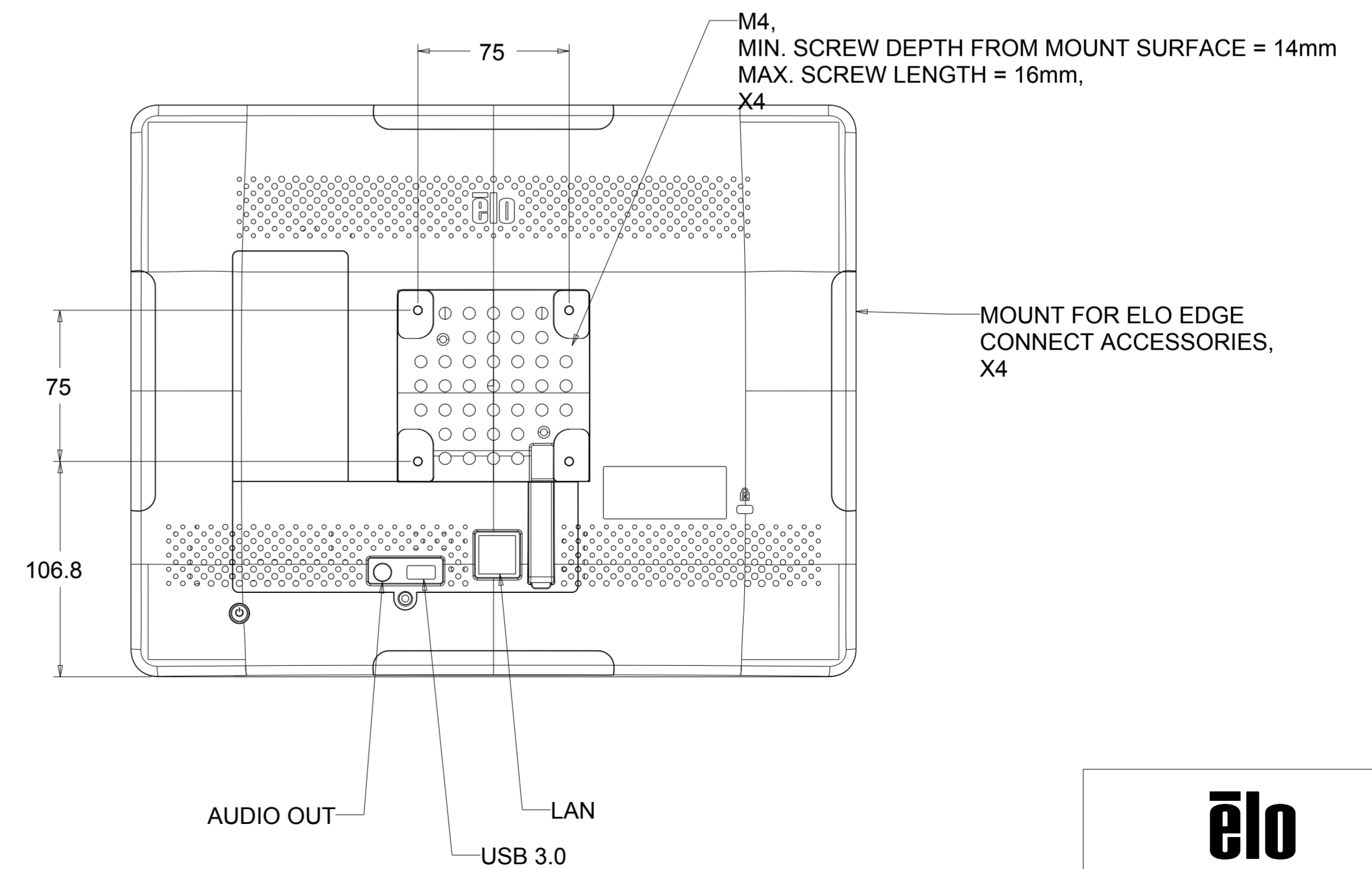
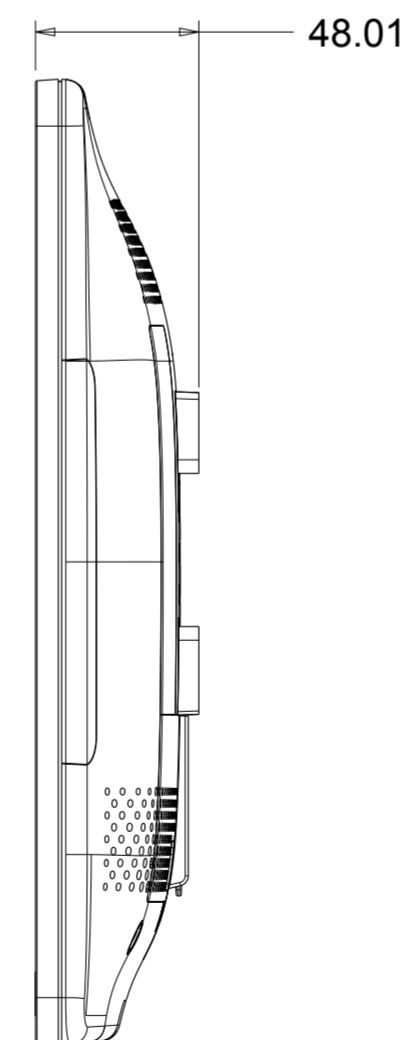
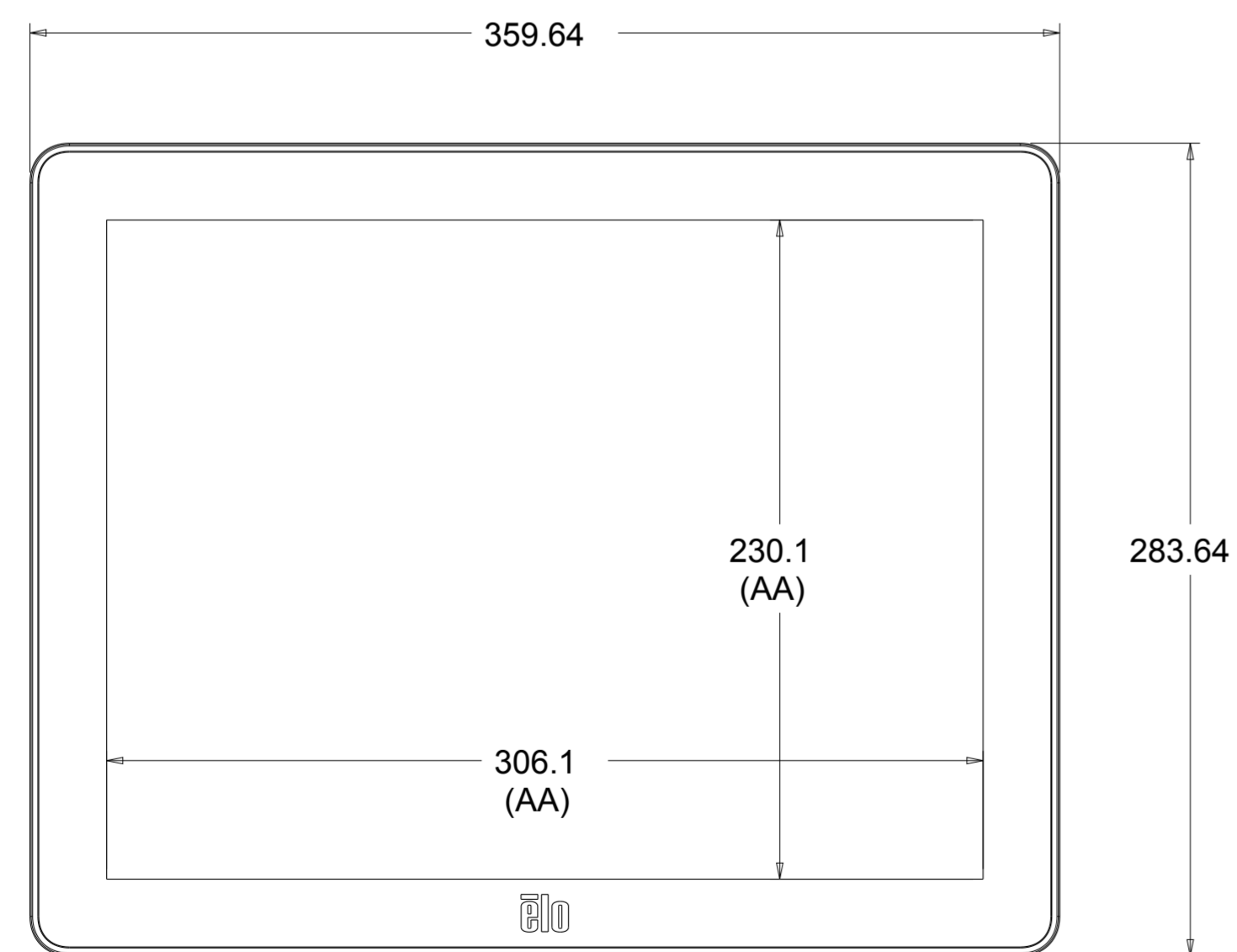


EloPos 15" WITH STAND

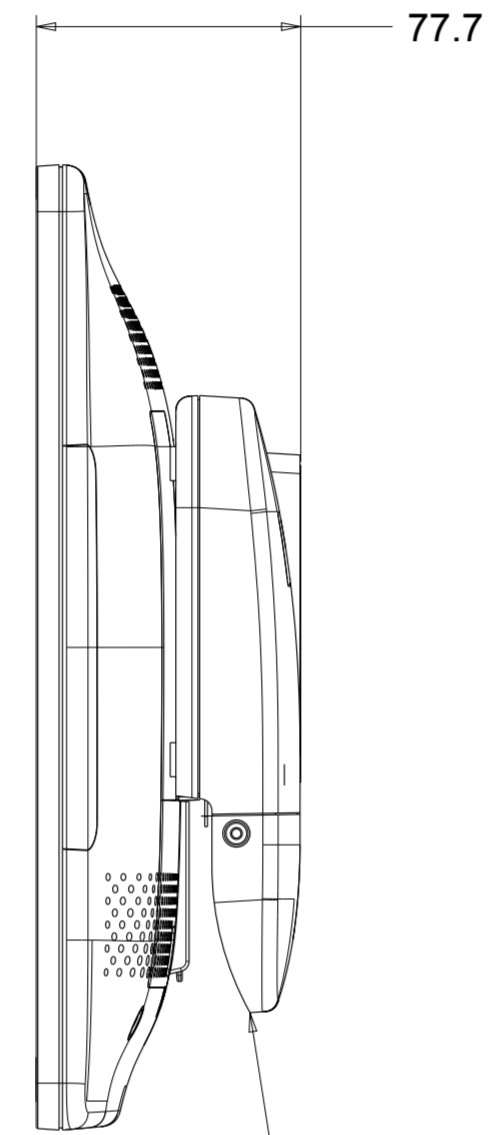
(SEE PG.5 FOR NO STAND, WITH HUB VERSION)
(SEE PG.3 FOR CUSTOMER DISPLAY OPTION)



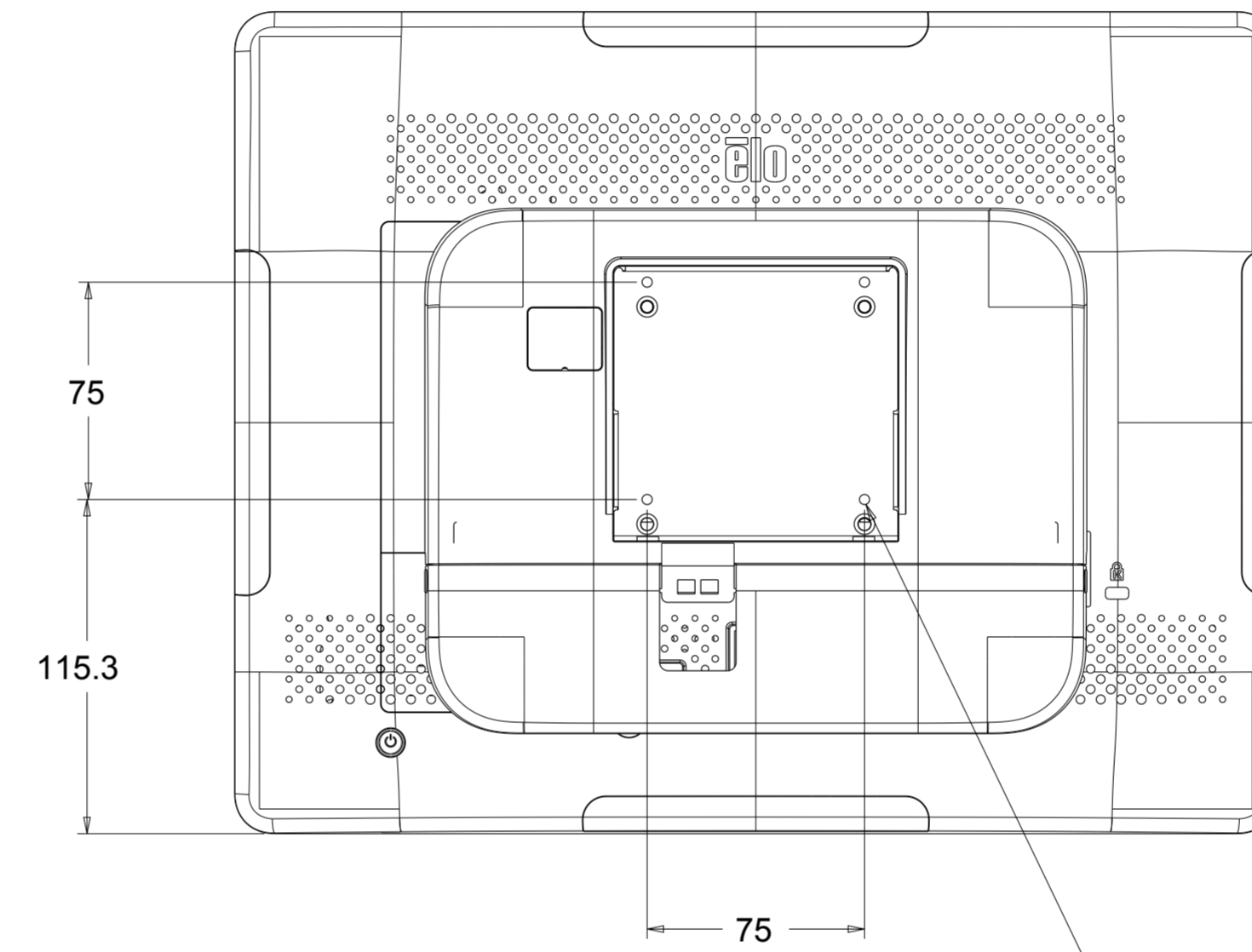
SEE PG.1 FOR I/O DEFINITION FOR STAND AND HUB MODELS



EloPos 15" NO STAND, WITH HUB



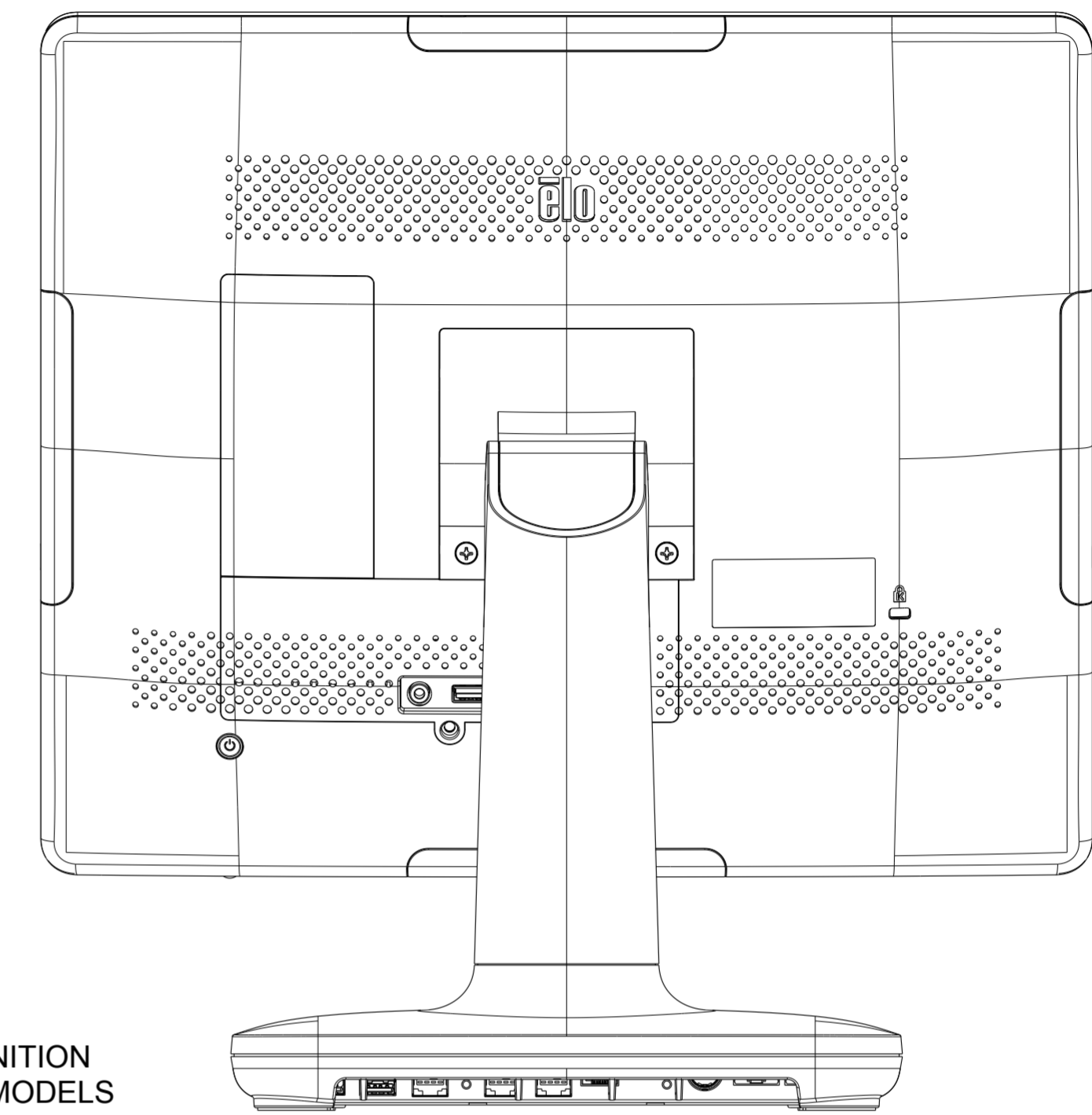
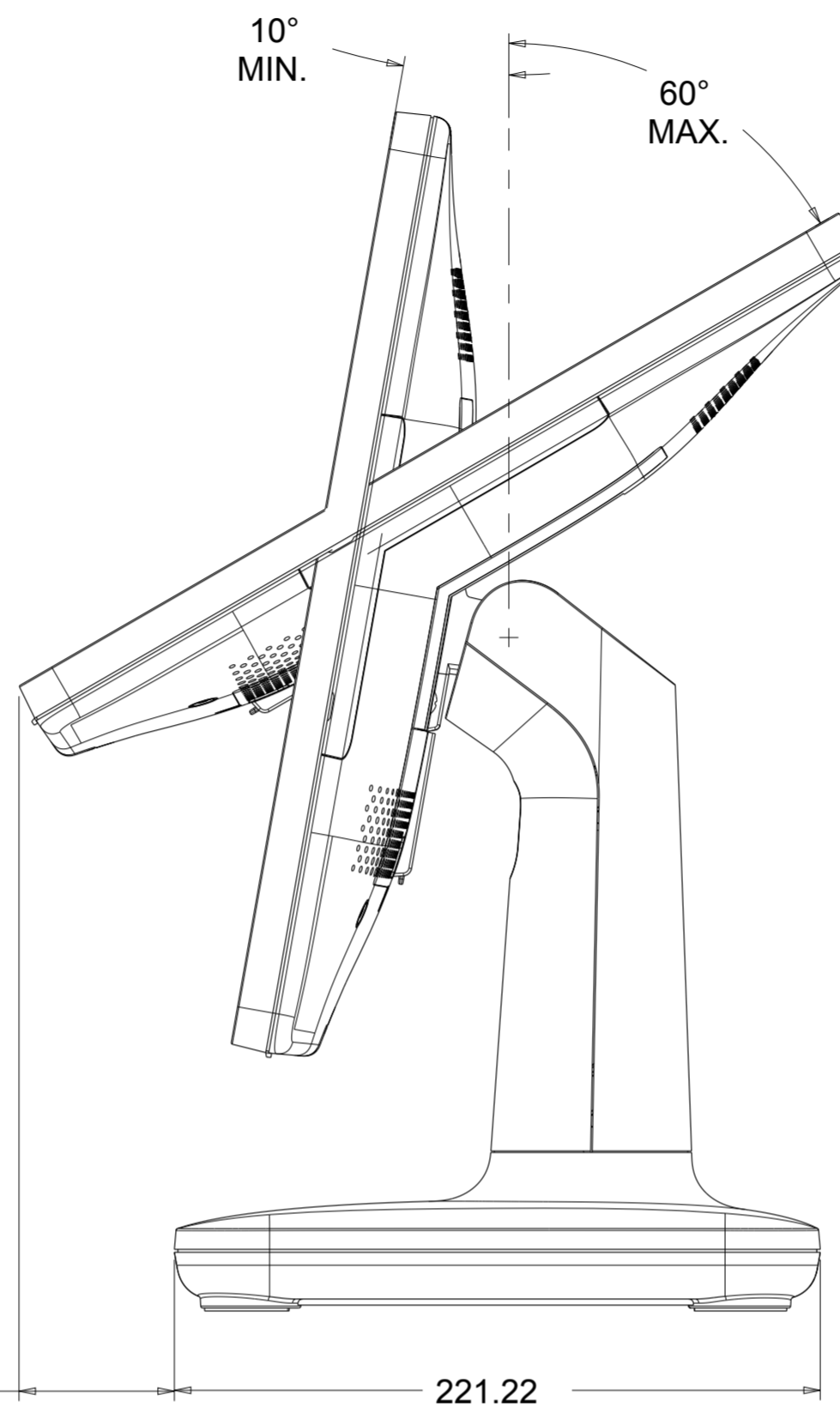
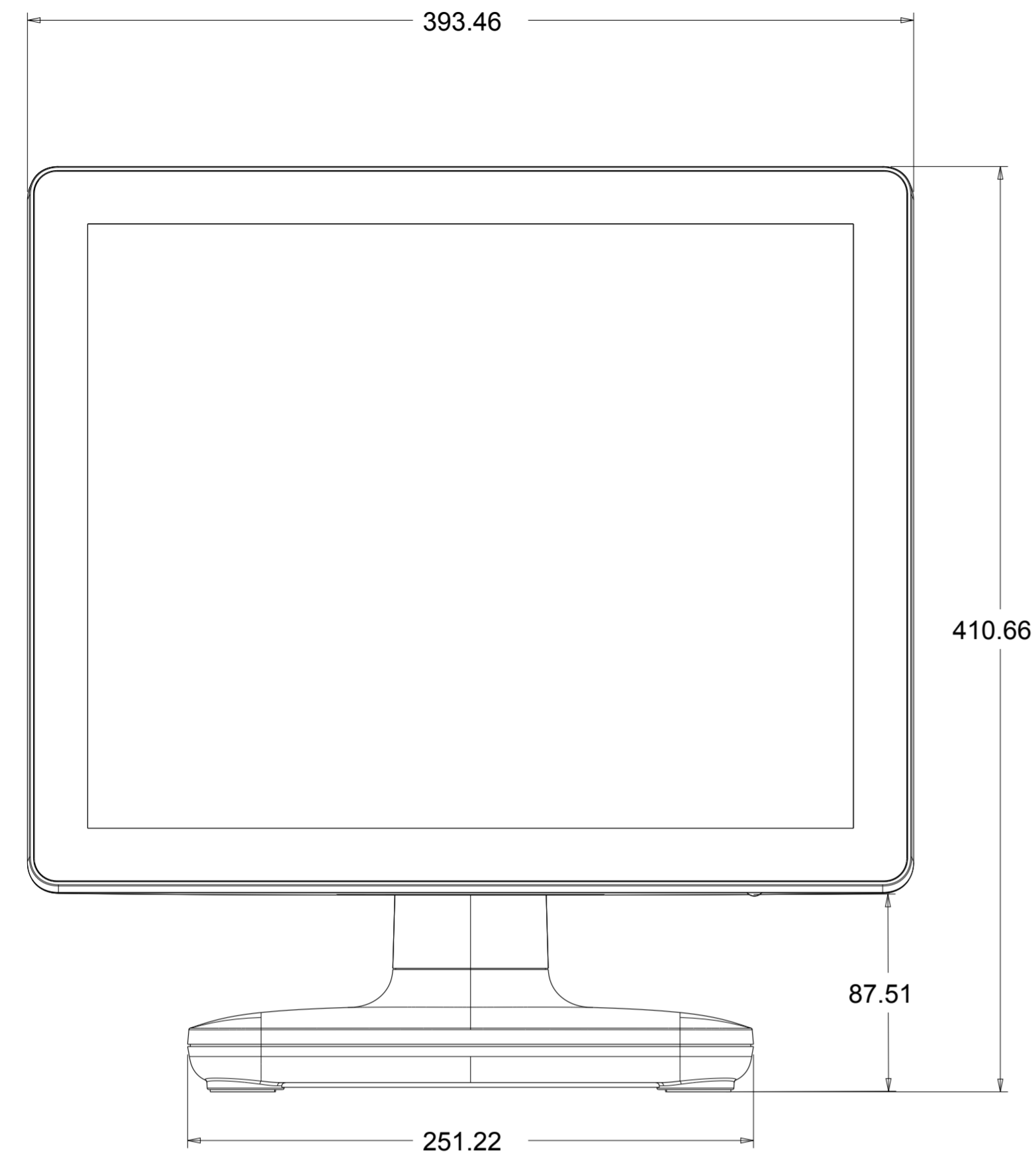
SEE PG. 2 FOR HUB DIMENSIONS
AND I/O DEFINITION



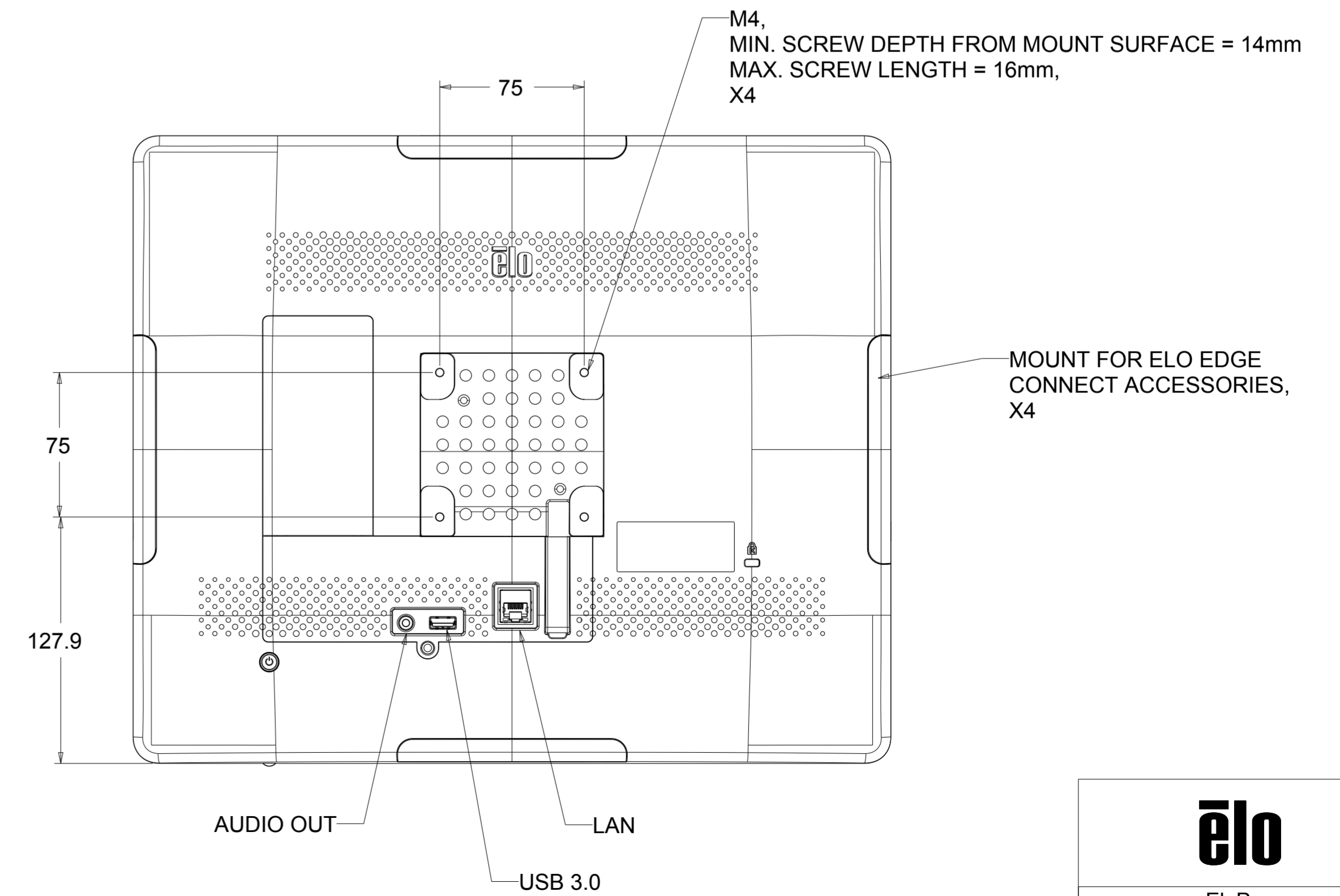
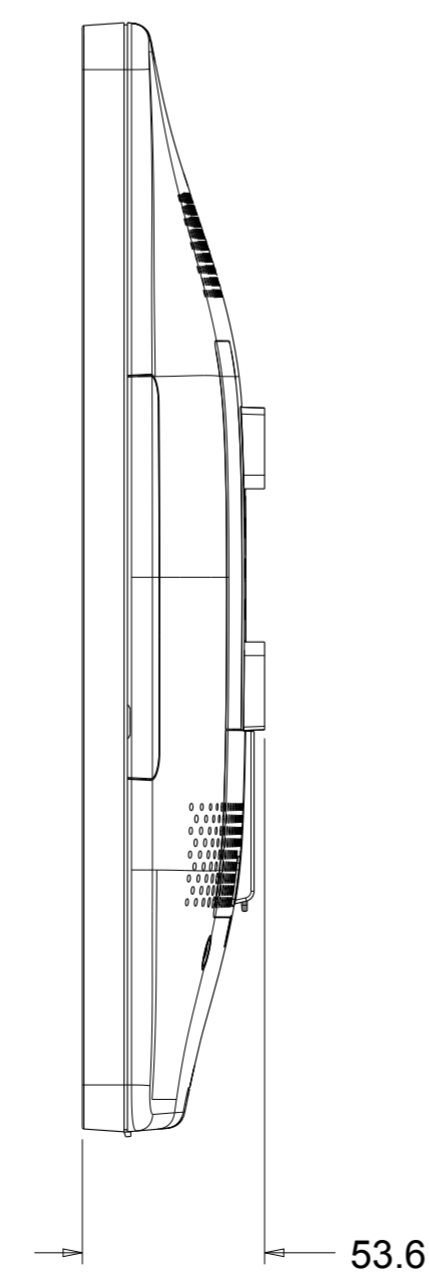
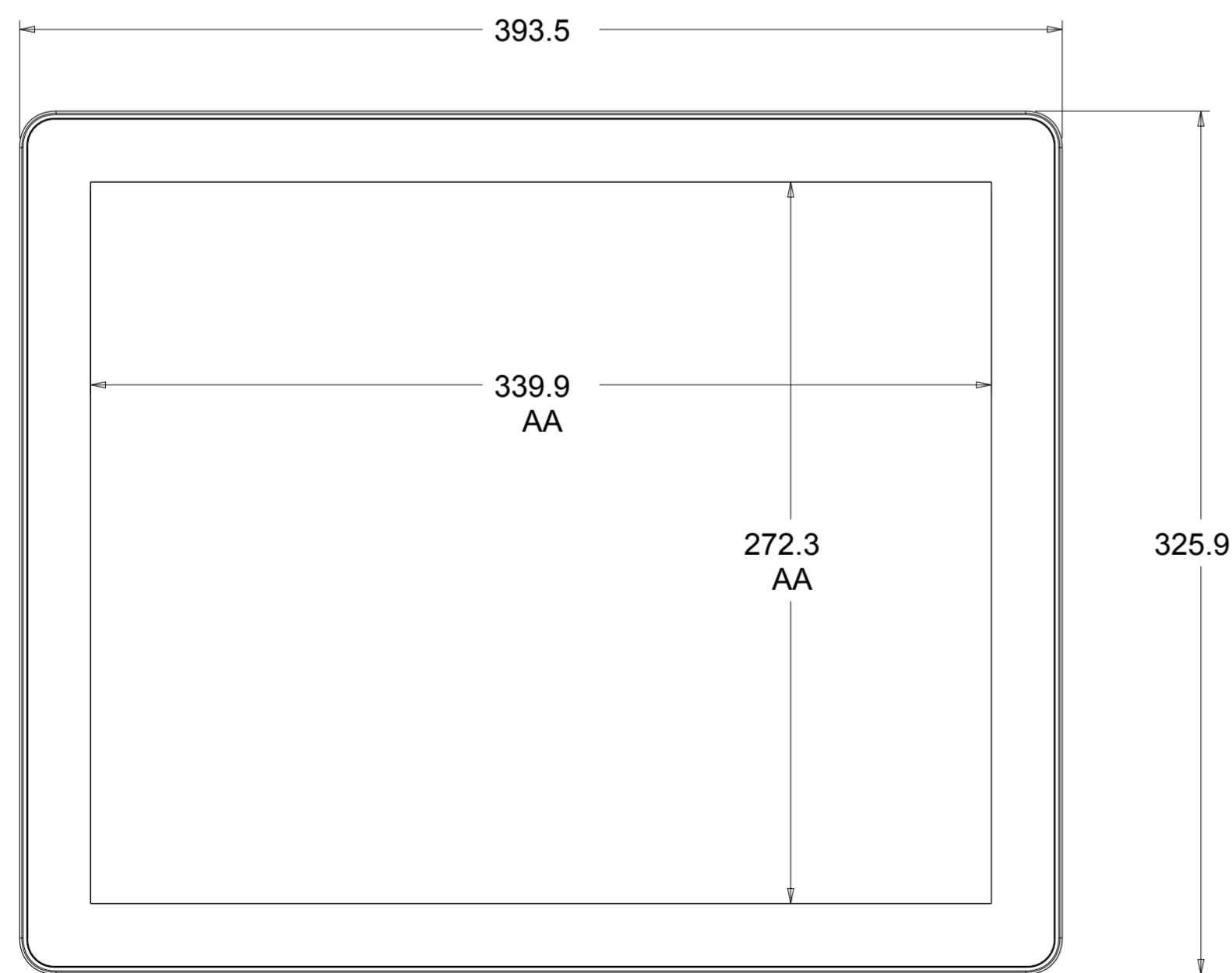
M4,
MAX. SCREW DEPTH FROM
MOUNT SURFACE = 6mm
X4

EloPos 17" WITH STAND

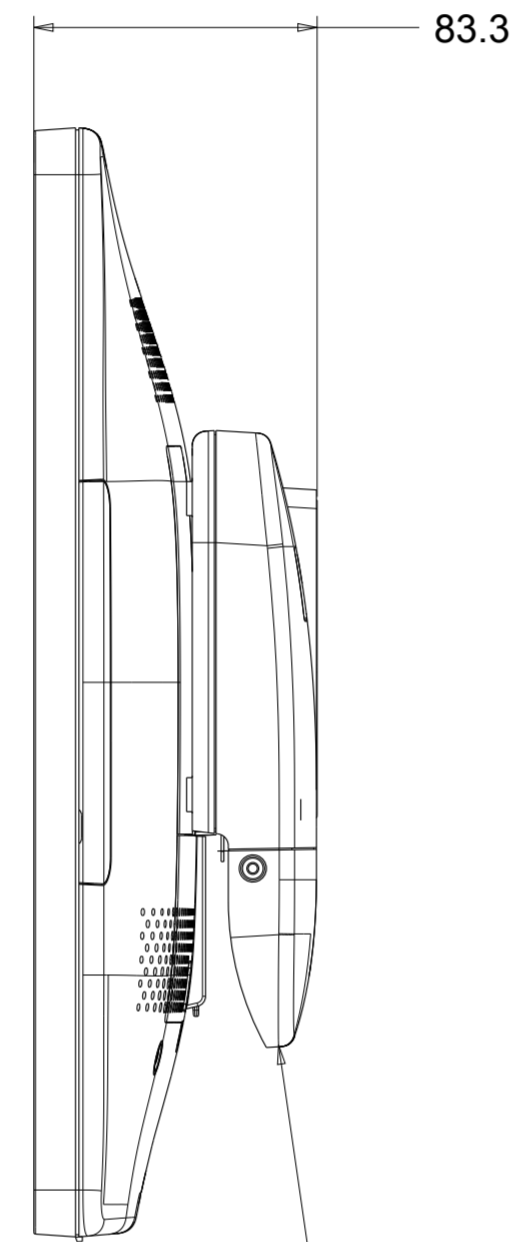
(SEE PG.7 FOR NO STAND, WITH HUB VERSION)
 (SEE PG.3 FOR CUSTOMER DISPLAY OPTION)



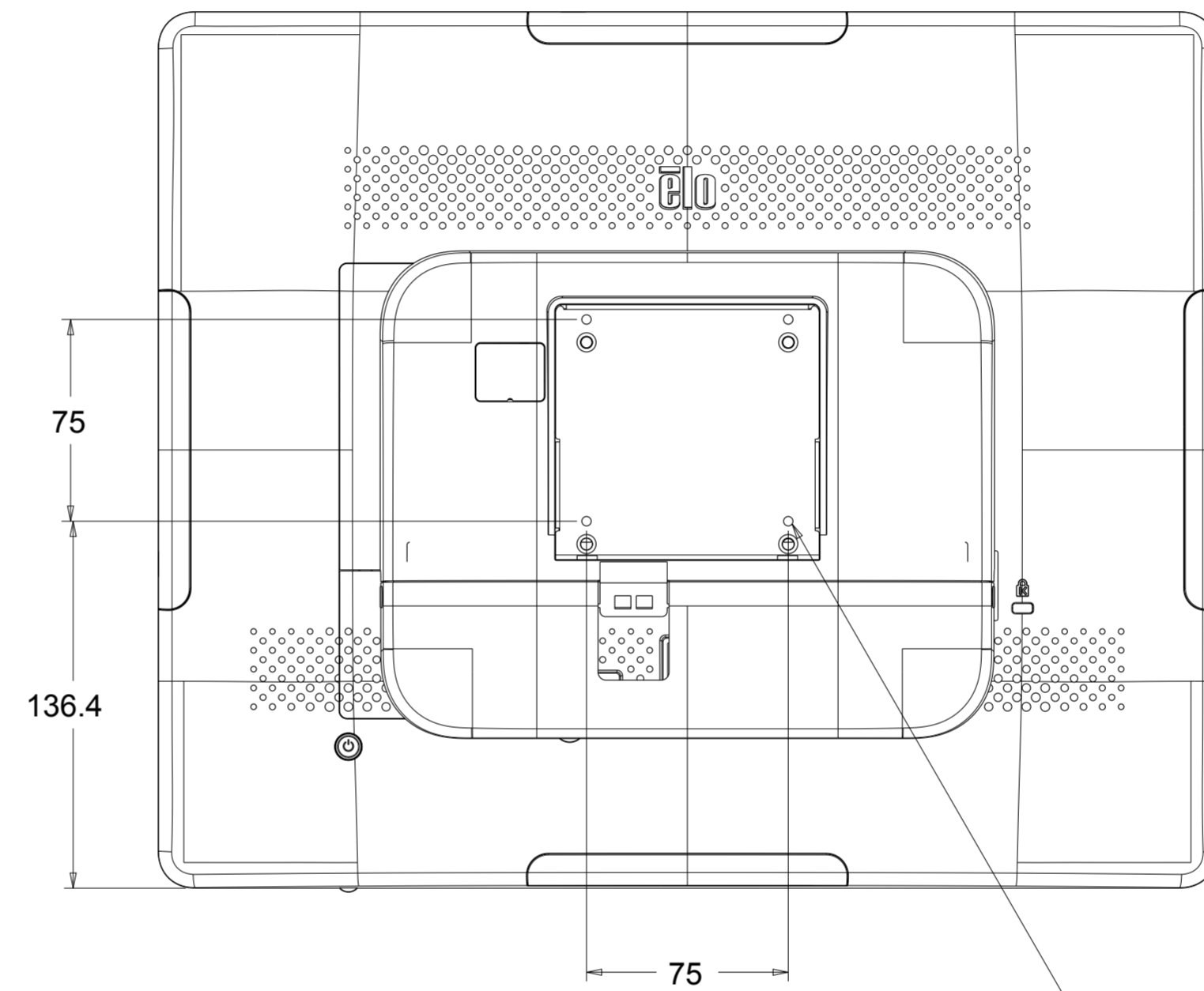
SEE PG.1 FOR I/O DEFINITION
 FOR STAND AND HUB MODELS



EloPos 17" NO STAND, WITH HUB



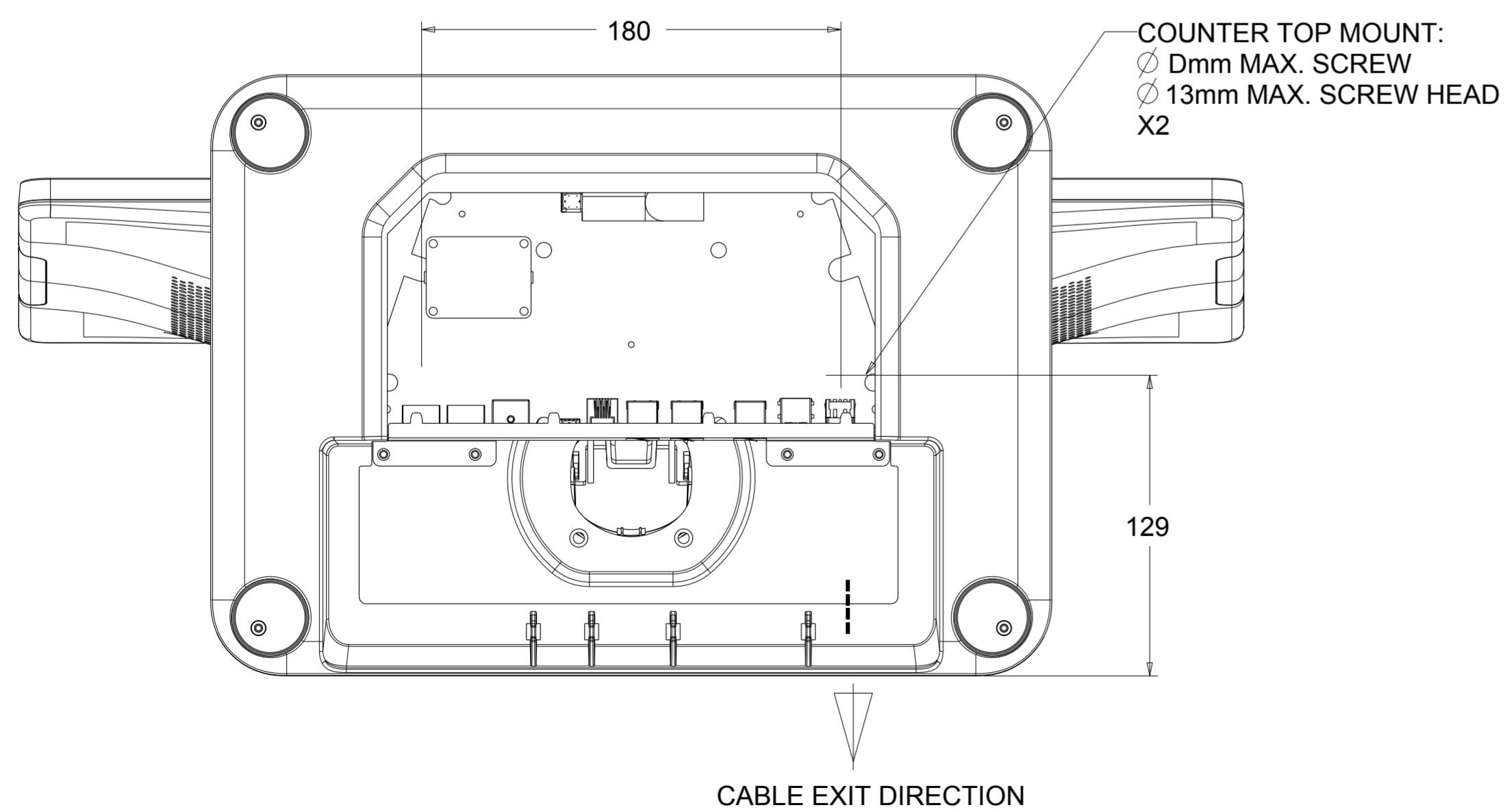
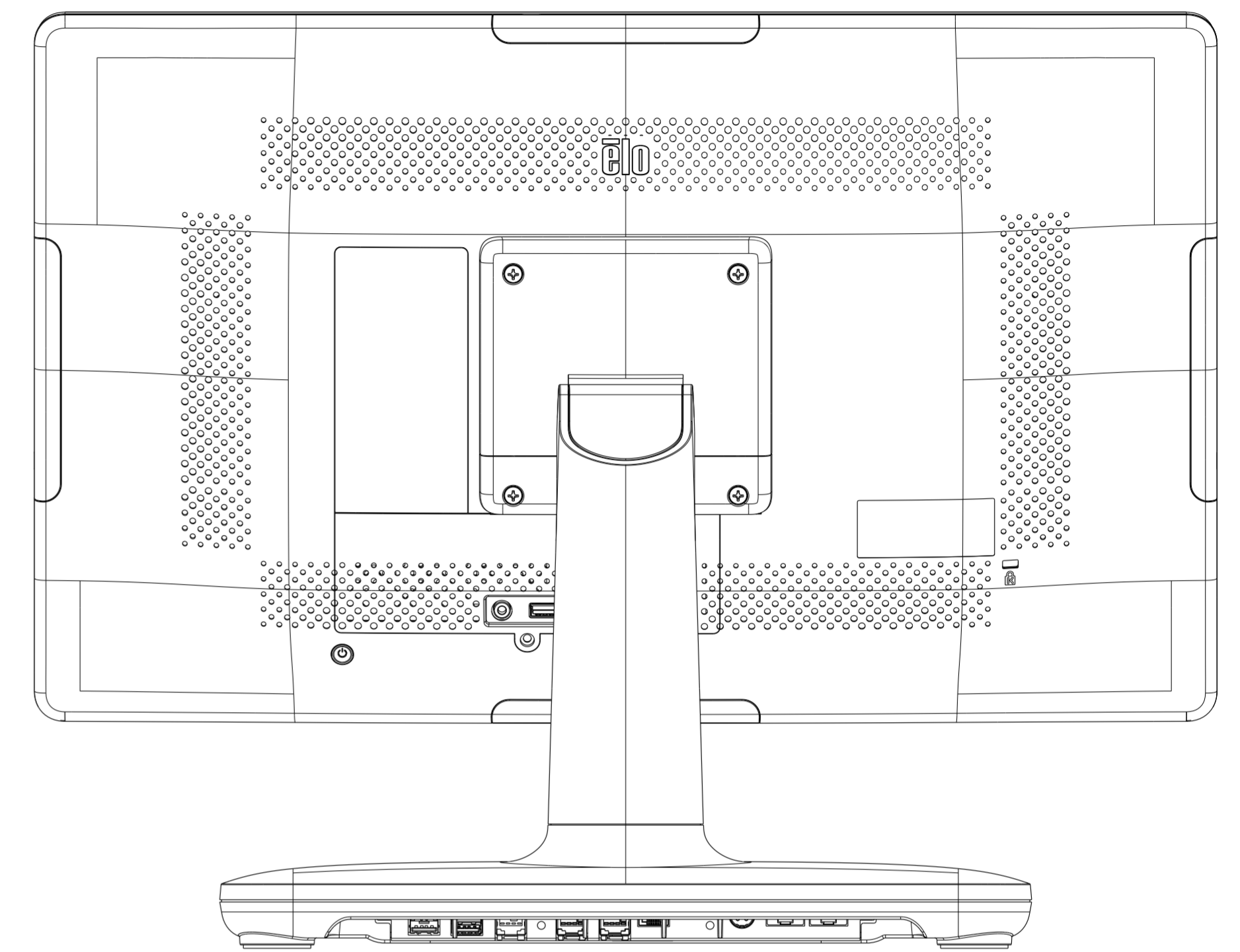
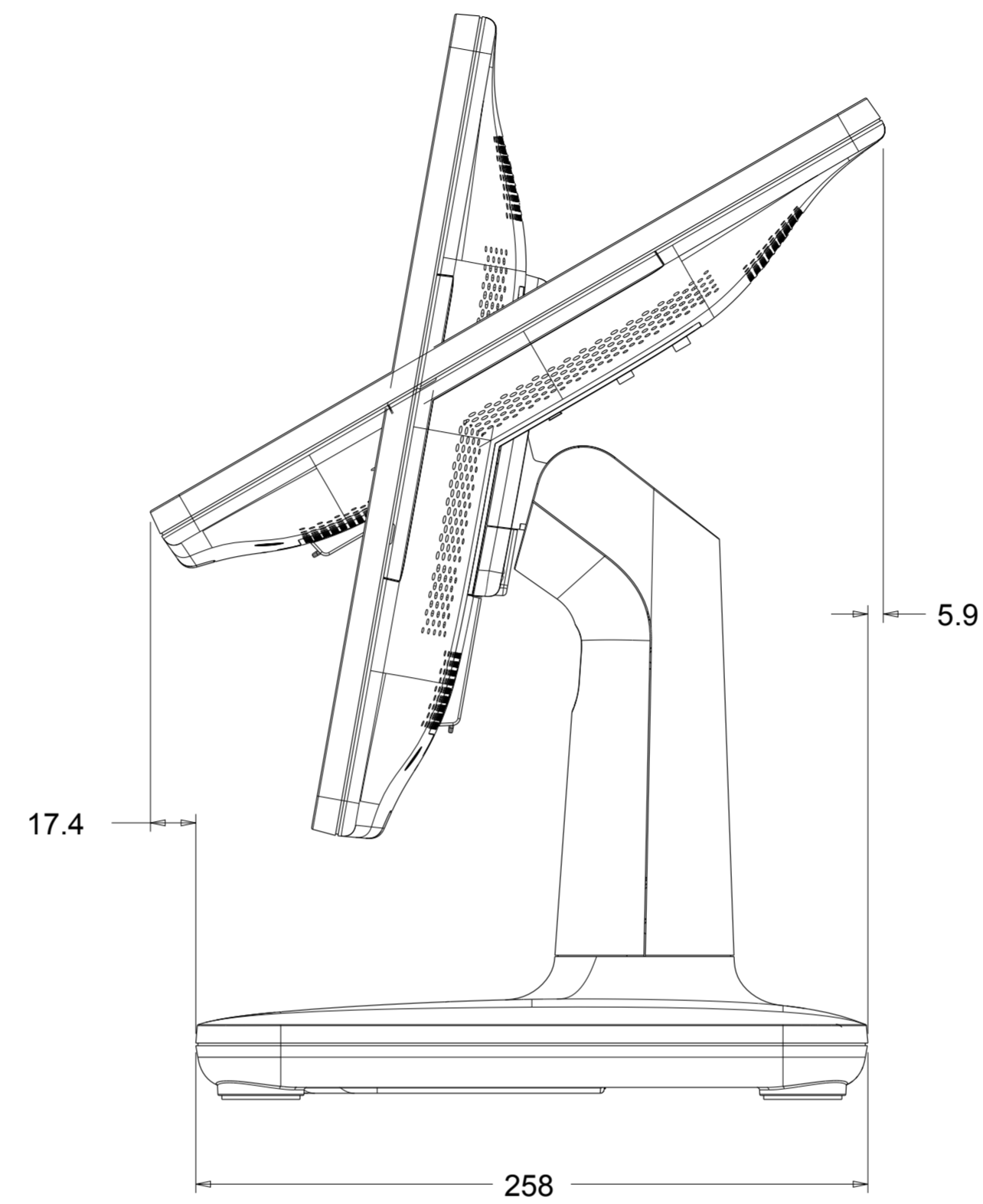
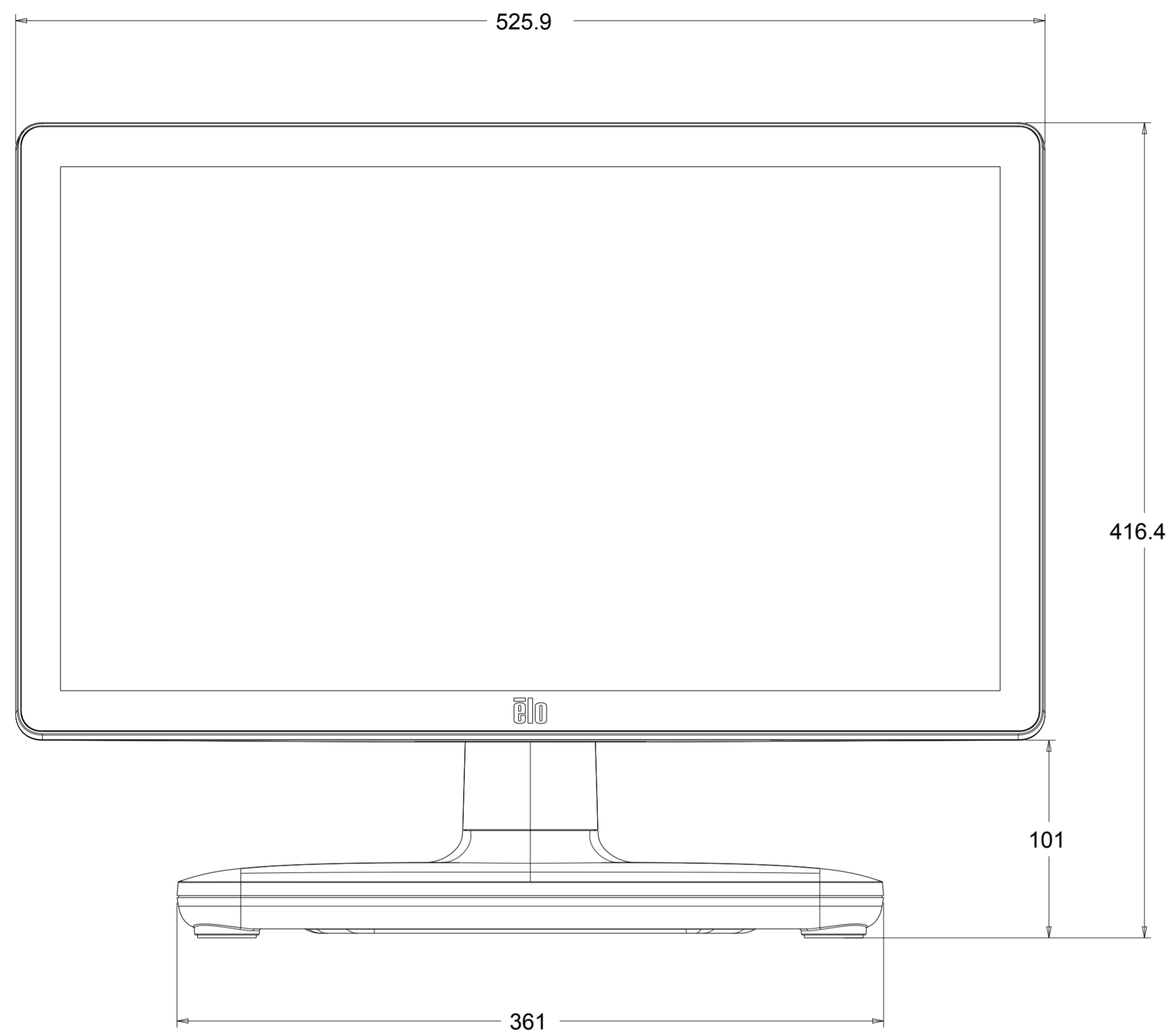
SEE PG. 2 FOR HUB DIMENSIONS
AND I/O DEFINITION



M4,
MAX. SCREW DEPTH FROM
MOUNT SURFACE = 6mm
X4

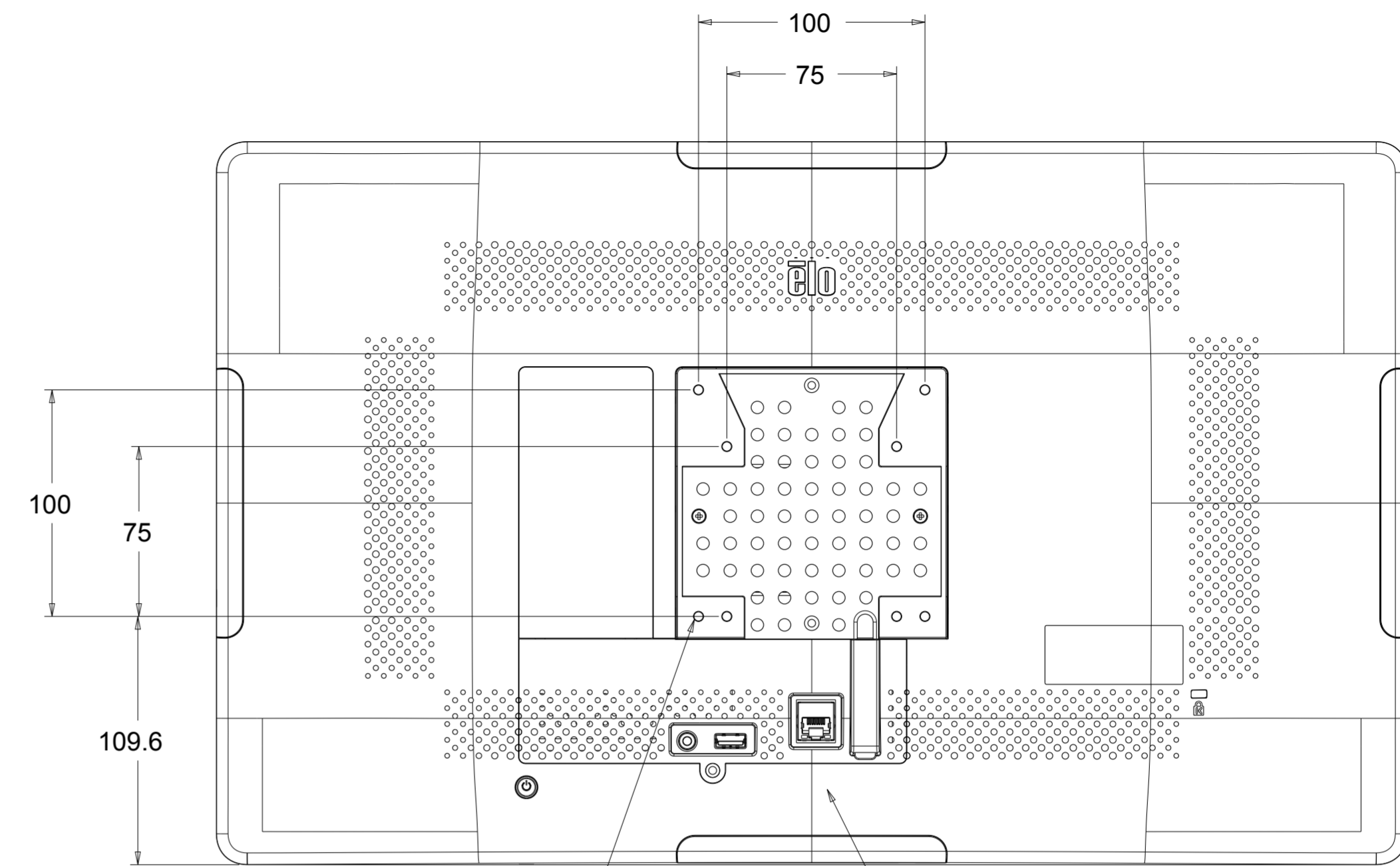
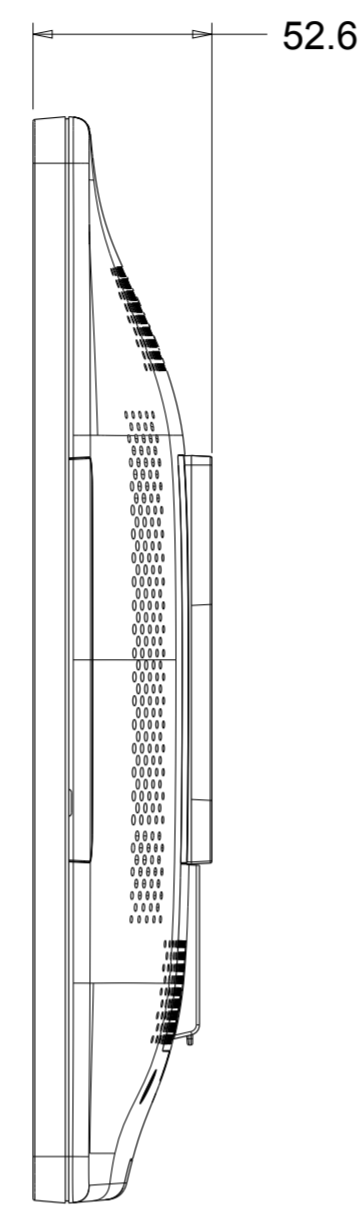
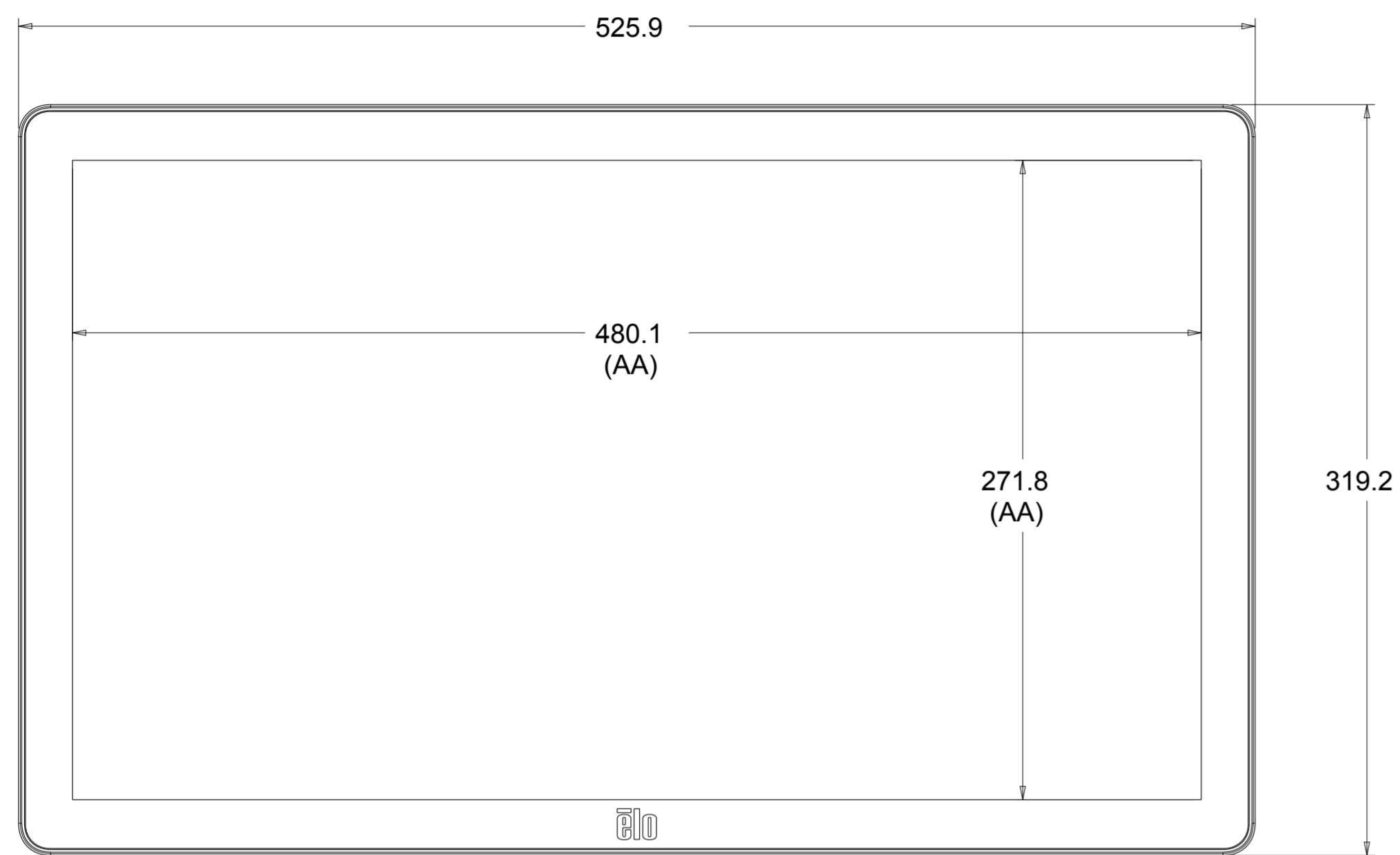
EloPos 22" WITH STAND

(SEE PG.9 FOR NO STAND VERSION)
(SEE PG.2 FOR CUSTOMER DISPLAY OPTION)



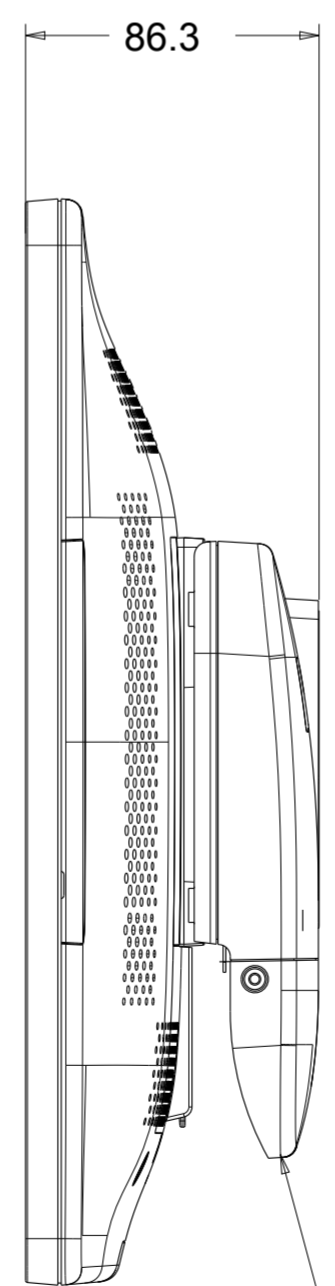
EloPos 22" NO STAND, WITH HUB

22" WITH HUB NOT ATTACHED TO BACK

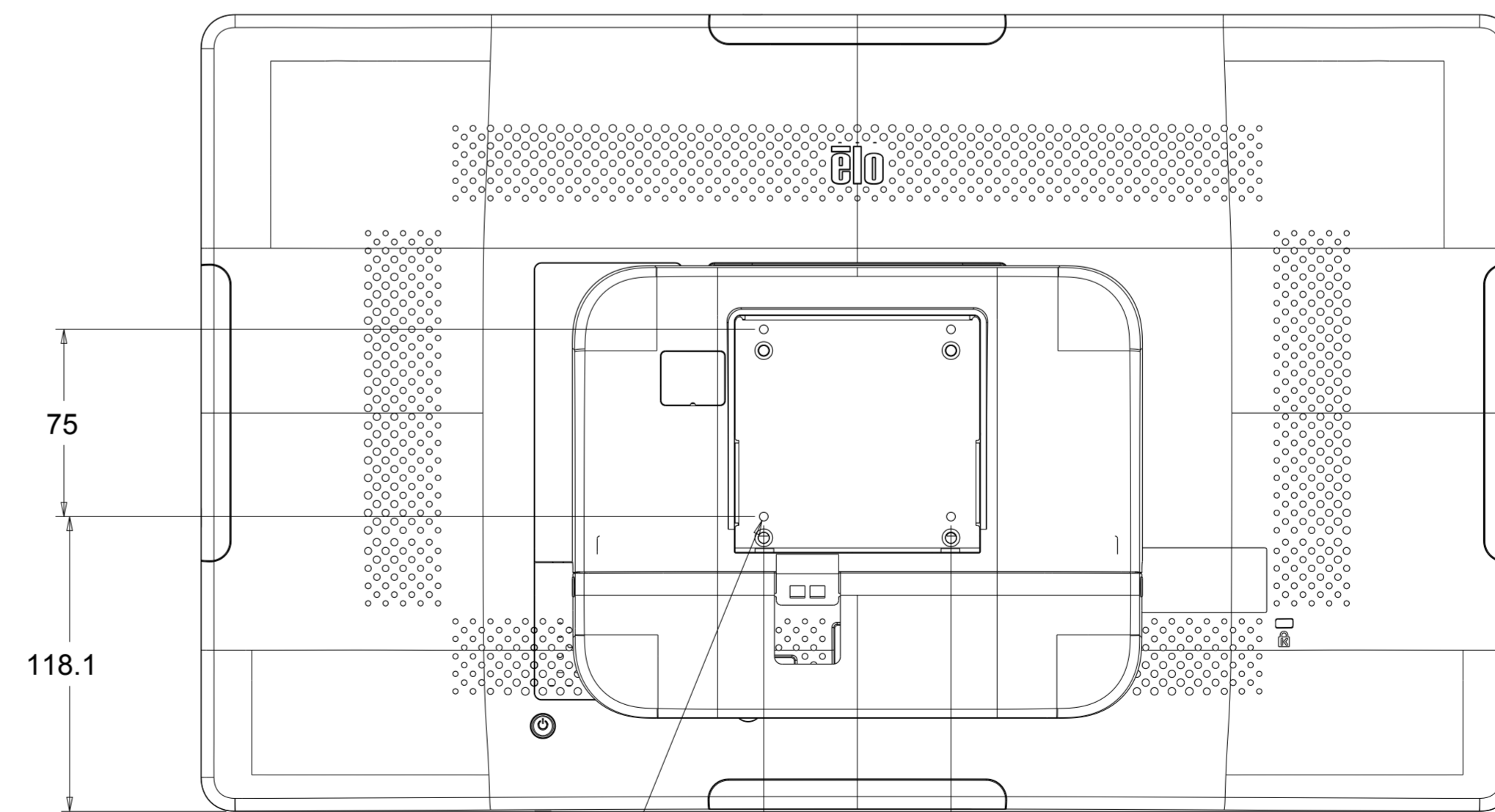


M4,
MIN. SCREW DEPTH FROM MOUNT SURFACE = 14mm
MAX. SCREW LENGTH = 10mm,
X8
SEE PG.2 FOR I/O DEFINITION

22" WITH HUB ATTACHED TO BACK



SEE PG. 2 FOR HUB DIMENSIONS
AND I/O DEFINITION



M4,
MAX. SCREW DEPTH FROM
MOUNT SURFACE = 6mm
X4