

Enlarge Your Ethernet Network

SFP/SFP+ Media Converter

MC220L / MC420L



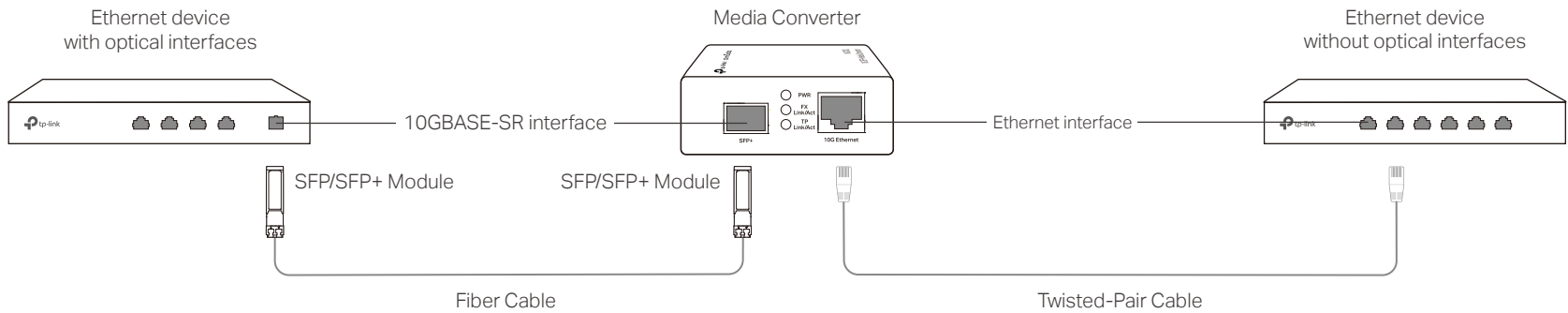
For technical support and other information, please visit <https://www.tp-link.com/support/?type=smb>, or simply scan the QR code.

© 2024 TP-Link 7106511407 REV1.0.1

Package Contents: Media Converter, Power Adapter, User Guide

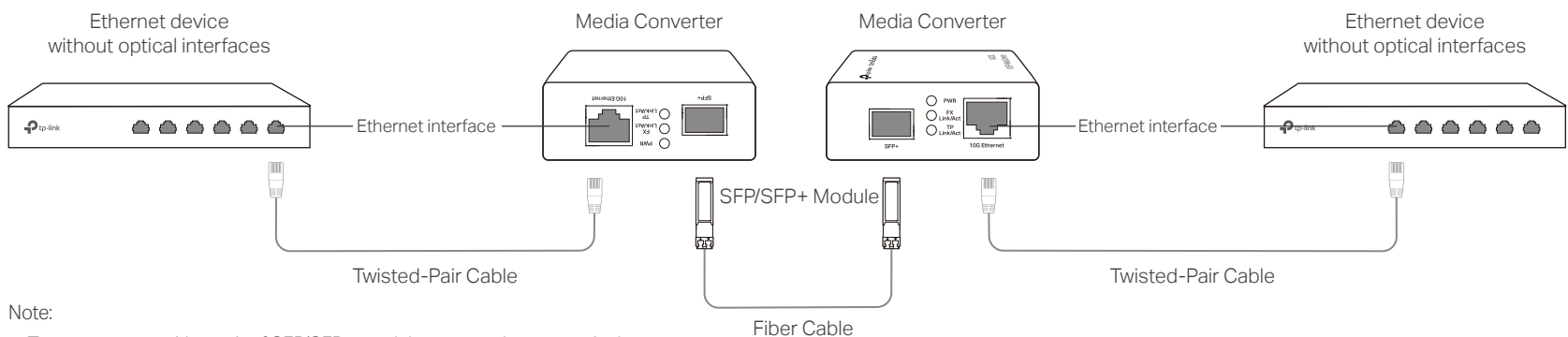
Note: MC420L is used as an example throughout this guide. Other models may differ in appearance.

Scenario 1: Connect Devices with and without Optical Interfaces



Note: It is recommended to use a TP-Link SFP/SFP+ module on MC220L/MC420L respectively, because other vendors' modules may be incompatible.

Scenario 2: Connect Devices without Optical Interfaces



Note:

- Two converters with a pair of SFP/SFP+ modules can work cooperatively.

LED Explanation



PWR

On: Power on.
Off: Power off.



Link/Act (for MC220L)

On: There is a valid link for FX Port.
Flashing: FX Port is transmitting or receiving data.
Off: There is no valid link for FX Port.

FX

On: There is a valid link for TP Port.
Flashing: TP Port is transmitting or receiving data.
Off: There is no valid link for TP Port.

TP



Link/Act (for MC420L)

Green On: FX Port is linked at 10Gbps, but there is no activity.
Green Flashing: FX Port is working at 10Gbps.
Yellow On: FX Port is linked at 1Gbps, but there is no activity.
Yellow Flashing: FX Port is working at 1Gbps.
Off: There is no valid link for FX Port.

FX

Green On: TP Port is linked at 10Gbps, but there is no activity.
Green Flashing: TP Port is working at 10Gbps.
Yellow On: TP Port is linked at 5Gbps/2.5Gbps/1Gbps, but there is no activity.
Yellow Flashing: TP Port is working at 5Gbps/2.5Gbps/1Gbps.
Off: There is no valid link for TP Port.

TP

Specifications

General Specifications

Standards	For MC220L: IEEE 802.3, IEEE 802.3i, IEEE 802.3u, IEEE 802.3ab, IEEE802.3z For MC420L: IEEE 802.3, IEEE 802.3ab, IEEE 802.3bz, IEEE 802.3an, IEEE802.3z, IEEE802.3ae, IEEE802.3x
LED	PWR, FX Link/Act, TP Link/Act
Interface	For MC220L: SFP port, RJ-45 jack For MC420L: SFP+ port, RJ-45 jack
Twisted-Pair	For MC220L: 10Base-T: 2-pair UTP/STP of Cat. 3 or above (≤100m) 100Base-TX: 2-pair UTP/STP of Cat. 5 or above (≤100m) 1000Base-T: 4-pair UTP/STP of Cat. 5e or above (≤100m) For MC420L: 1000BASE-T/2.5GBASE-T/5GBASE-T: 4-pair UTP/STP of Cat. 5e or above (≤100m) 10GBase-T: 4-pair UTP of Cat. 6 (≤55m), 4-pair UTP of Cat. 6a (≤100m)or 4-pair STP of Cat. 6 or above (≤100m)
Fiber & Wave Length	For MC220L: depends on the used SFP module For MC420L: depends on the used SFP/SFP+ module
Power	External Power Adapter: 9V/0.6A

Environmental and Physical Specifications

Operation Temperature	0 °C to 50 °C (32 °F to 122 °F)
Storage Temperature	-40 °C to 70 °C (-40 °F to 158 °F)
Operation Humidity	10% to 90%RH non-condensing
Storage Humidity	5% to 90%RH non-condensing

Safety Information

- Keep the device away from water, fire, humidity or hot environments.
- Do not attempt to disassemble, repair, or modify the device. If you need service, please contact us.
- Do not use damaged charger or USB cable to charge the device.
- Do not use any other chargers than those recommended.
- Adapter shall be installed near the equipment and shall be easily accessible.
- Avoid using this product during an electrical storm. There may be a remote risk of electric shock from lightning.
- Do not point or stare directly into the beam or into the optical port of the transceiver when it is operating, as this can injure your eyesight.
- Use only power supplies which are provided by manufacturer and in the original packing of this product. If you have any questions, please don't hesitate to contact us.

FCC STATEMENT

Product Name: Omada Gigabit Ethernet Media Converter
Model Number: MC220L/MC420L

Component Name	Model
Power Adapter	T090060-2B1

Responsible party:
TP-Link USA Corporation
Address: 10 Mauchly, Irvine, CA 92618
Website: <https://www.tp-link.com/us/>
Tel: +1 626 333 0234
Fax: +1 909 527 6804
E-mail: sales.usa@tp-link.com

This equipment has been tested and found to comply with the limits for a Class A digital device, pursuant to part 15 of the FCC Rules. These limits are designed to provide reasonable protection against harmful interference when the equipment is operated in a commercial environment. This equipment generates, uses, and can radiate radio frequency energy and, if not installed and used in accordance with the instruction manual, may cause harmful interference to radio communications. Operation of this equipment in a residential area is likely to cause harmful interference in which case the user will be required to correct the interference at his own expense.

This device complies with part 15 of the FCC Rules. Operation is subject to the following two conditions:
1) This device may not cause harmful interference.
2) This device must accept any interference received, including interference that may cause undesired operation.

Any changes or modifications not expressly approved by the party responsible for compliance could void the user's authority to operate the equipment.

Product Name: Power Adapter
Model Number: T090060-2B1
Responsible party:
TP-Link USA Corporation
Address: 10 Mauchly, Irvine, CA 92618
Website: <https://www.tp-link.com/us/>
Tel: +1 626 333 0234
Fax: +1 909 527 6804
E-mail: sales.usa@tp-link.com

This equipment has been tested and found to comply with the limits for a Class A digital device, pursuant to part 15 of the FCC Rules. These limits are designed to provide reasonable protection against harmful interference when the equipment is operated in a commercial environment. This equipment generates, uses, and can radiate radio frequency energy and, if not installed and used in accordance with the instruction manual, may cause harmful interference to radio communications. Operation of this equipment in a residential area is likely to cause harmful interference in which case the user will be required to correct the interference at his own expense.

This device complies with part 15 of the FCC Rules. Operation is subject to the following two conditions:
1) This device may not cause harmful interference.
2) This device must accept any interference received, including interference that may cause undesired operation.

Any changes or modifications not expressly approved by the party responsible for compliance could void the user's authority to operate the equipment.

We, TP-Link USA Corporation, has determined that the equipment shown as above has been shown to comply with the applicable technical standards, FCC part 15. There is no unauthorized change is made in the equipment and the equipment is properly maintained and operated.

Issue Date: 2024.05.14

Industry Canada Statement

CAN ICES-3 (A)/NMB-3(A)

CE Mark Warning

This is a class A product. In a domestic environment, this product may cause radio interference, in which case the user may be required to take adequate measures.



Продукт сертифіковано згідно з правилами системи УкрСЕПРО на відповідність вимогам нормативних документів та вимогам, що передбачені чинними законодавчими актами України.



EU declaration of conformity

TP-Link hereby declares that the device is in compliance with the essential requirements and other relevant provisions of directives 2014/30/EU, 2014/35/EU, 2011/65/EU and (EU)2015/863.
The original EU declaration of conformity may be found at <https://www.tp-link.com/en/support/ce/>

UK declaration of conformity

TP-Link hereby declares that the device is in compliance with the essential requirements and other relevant provisions of the Electromagnetic Compatibility Regulations 2016 and Electrical Equipment (Safety) Regulations 2016.
The original UK declaration of conformity may be found at <https://www.tp-link.com/support/ukca/>

Explanation of the symbols on the product label

Symbols may vary from products. The label is at the bottom of the product.

Symbol	Explanation
	Class II equipment
	Class II equipment with functional earthing
	Alternating current
	Direct current
	Polarity of d.c. power connector
	For indoor use only
	Dangerous voltage
	Caution, risk of electric shock
	Energy efficiency Marking
	Protective earth
	Earth
	Frame or chassis
	Functional earthing
	Caution, hot surface
	Caution
	Operator's manual
	Stand-by
	"ON"/"OFF" (push-push)
	Fuse
	Fuse is used in neutral N
	RECYCLING This product bears the selective sorting symbol for Waste electrical and electronic equipment (WEEE). This means that this product must be handled pursuant to European directive 2012/19/EU in order to be recycled or dismantled to minimize its impact on the environment. User has the choice to give his product to a competent recycling organization or to the retailer when he buys a new electrical or electronic equipment.
	Caution, avoid listening at high volume levels for long periods
	Disconnection, all power plugs
	Switch of mini-gap construction
	Switch of micro-gap construction (for US version)
	Switch of micro-gap/micro-disconnection construction (for other versions except US)
	Switch without contact gap (Semiconductor switching device)