

OptiPlex Micro Form Factor

Accessories Installation Guide

Notes, cautions, and warnings

 **NOTE:** A NOTE indicates important information that helps you make better use of your product.

 **CAUTION:** A CAUTION indicates either potential damage to hardware or loss of data and tells you how to avoid the problem.




 **WARNING:** A WARNING indicates a potential for property damage, personal injury, or death.

Contents

Chapter 1: Before you begin	4
Chapter 2: OptiPlex Micro Vertical Stand.....	5
Chapter 3: OptiPlex Micro Wall Mount.....	8
Chapter 4: OptiPlex Micro Desk Mount.....	14
Chapter 5: OptiPlex Micro Pro-2 E Series Monitor Mount.....	19
Chapter 6: OptiPlex Micro Dual Vesa Mount.....	27
Chapter 7: OptiPlex Micro All-in-One Stand - MFS22.....	30
Chapter 8: Getting help and contacting Dell.....	36

Before you begin

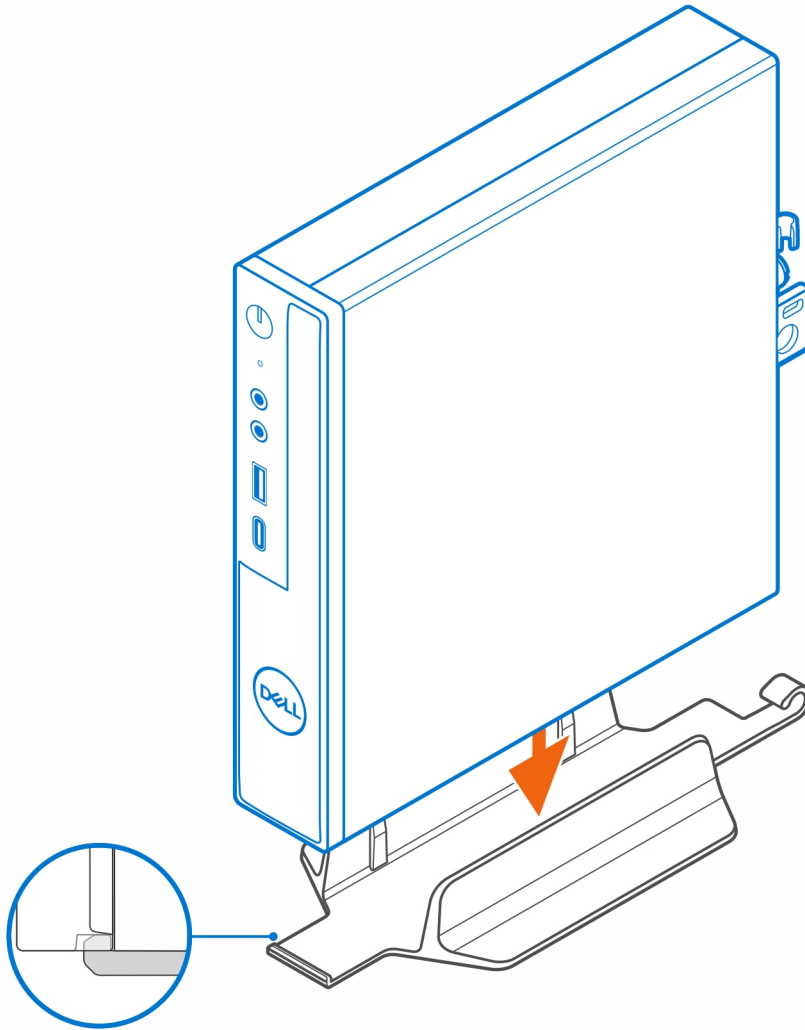
Steps

1. Save and close all open files and exit all open applications.
2. Shut down your computer: Click **Start** >  **Power** > **Shut down**.
 -  **NOTE:** If you are using a Linux operating system, see the documentation of your operating system for shut-down instructions.
3. Disconnect your computer and all attached devices from their electrical outlets.
4. Disconnect all attached network devices and peripherals, such as keyboard, mouse, and monitor from your computer.
 -  **CAUTION:** To disconnect a network cable, first unplug the cable from your computer and then unplug the cable from the network device.
5. If the computer or the adapter is being installed on the monitor:
 - a. Disconnect the power and all the display cables from the monitor.
 - b. Remove the stand from the monitor and place the monitor on a clean and soft surface.

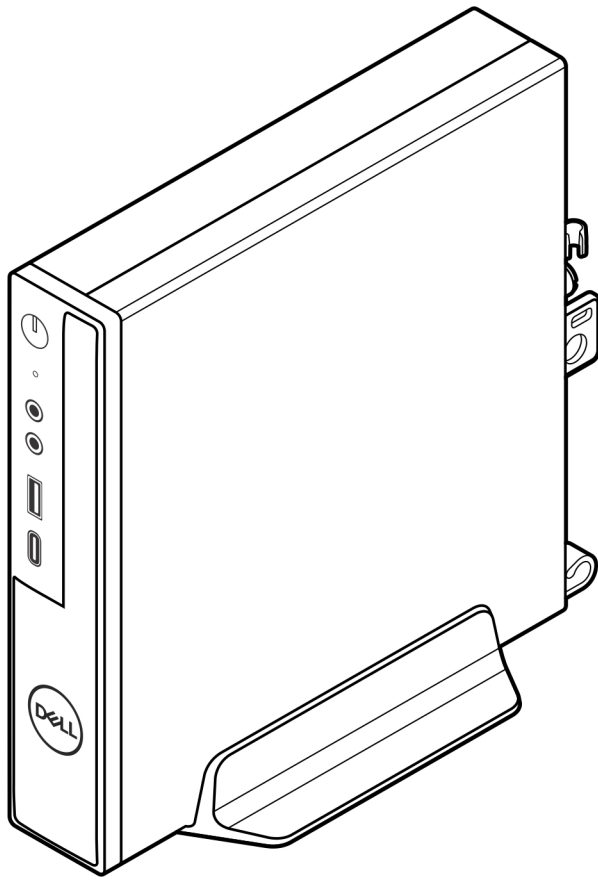
OptiPlex Micro Vertical Stand

Steps

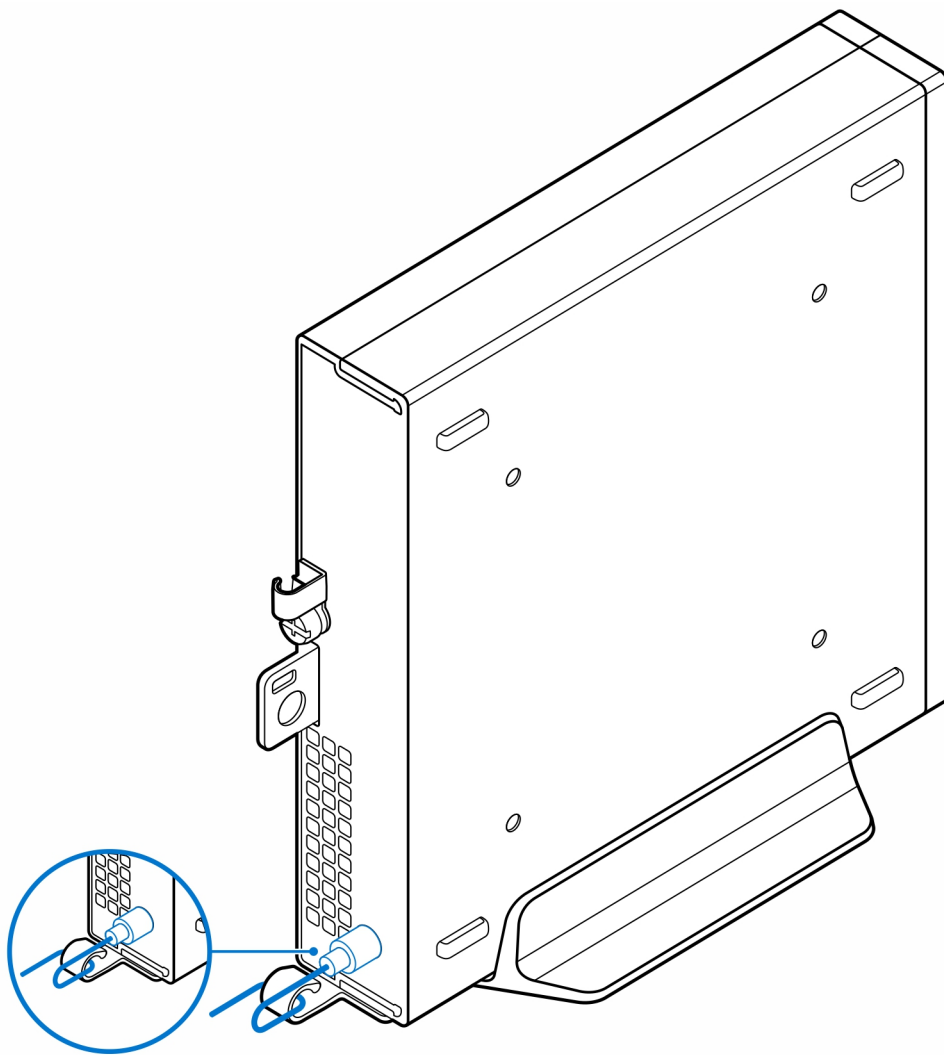
1. Follow the instructions in [Before working inside your computer](#).
2. Align the slot on the chassis with the tab on the vertical stand and place the computer on the vertical stand.



i **NOTE:** Ensure to align the slot on the chassis with the tab on the vertical stand to prevent the computer from sliding out of the vertical stand.



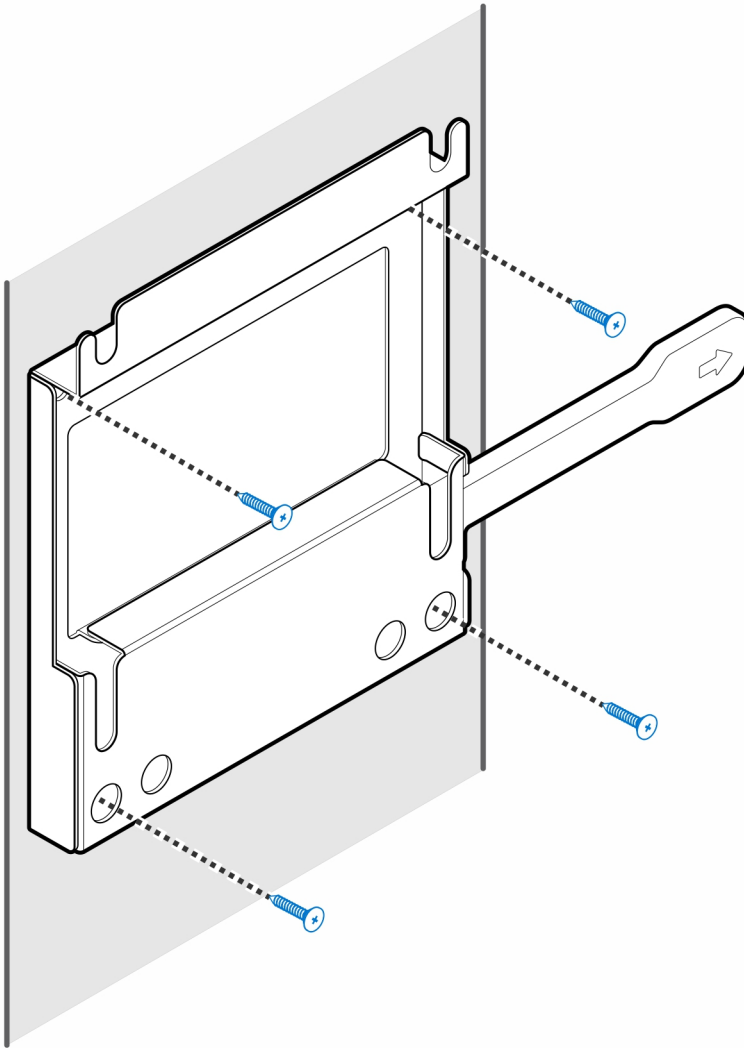
3. Route the power cable through the hook on the vertical stand to prevent accidental disconnection of the power cable.



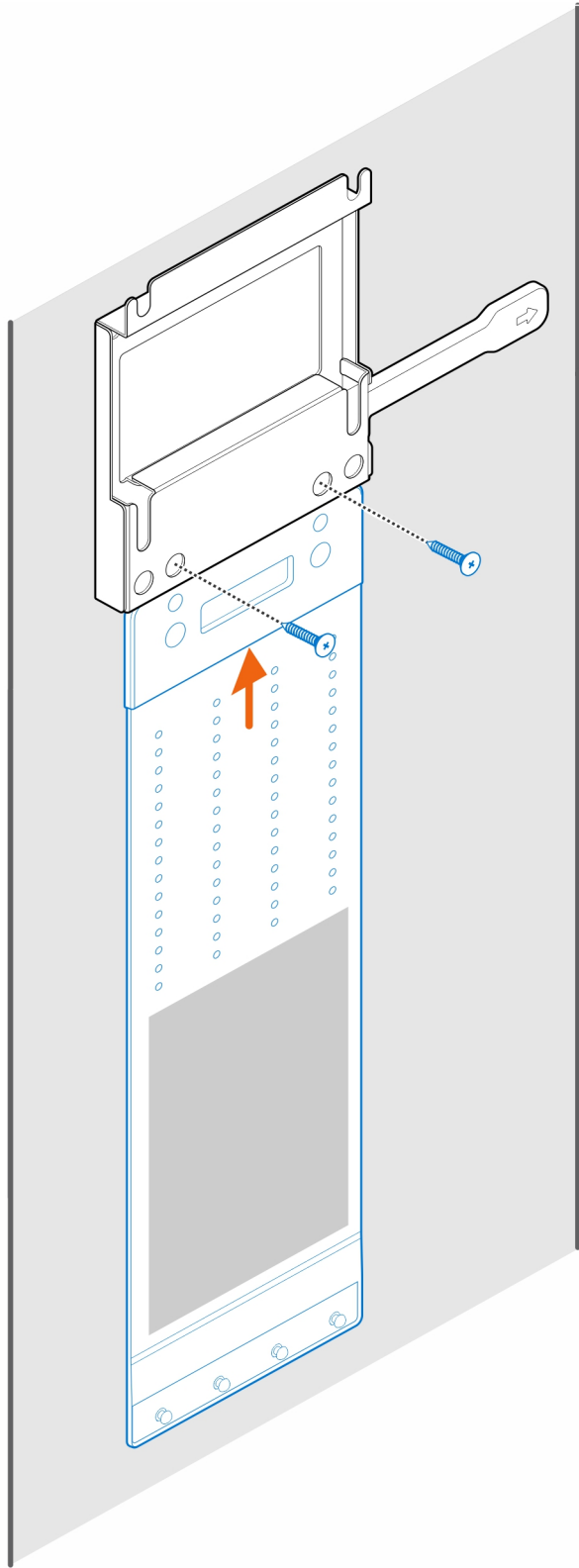
OptiPlex Micro Wall Mount

Steps

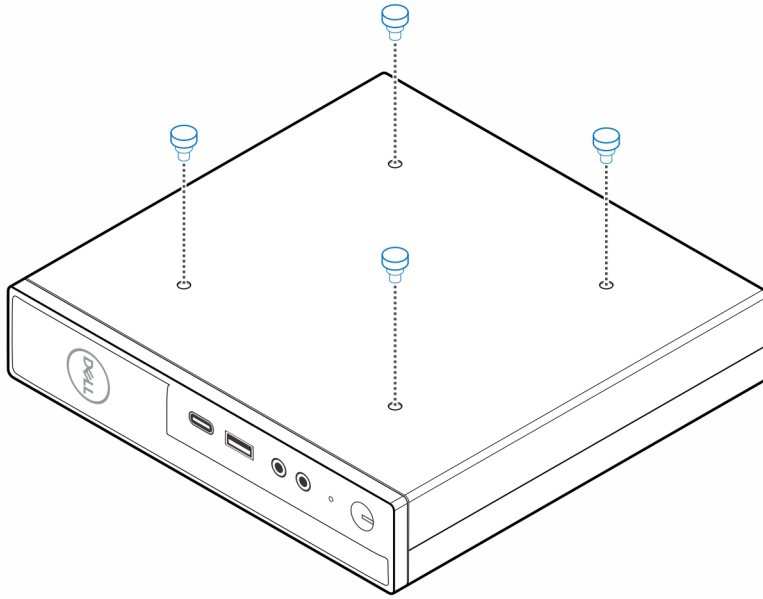
1. Follow the instructions in [Before working inside your computer](#).
2. Place the VESA mount on the wall.
3. Install the four self-tapping screws (M4x13) to secure the VESA mount to the wall.



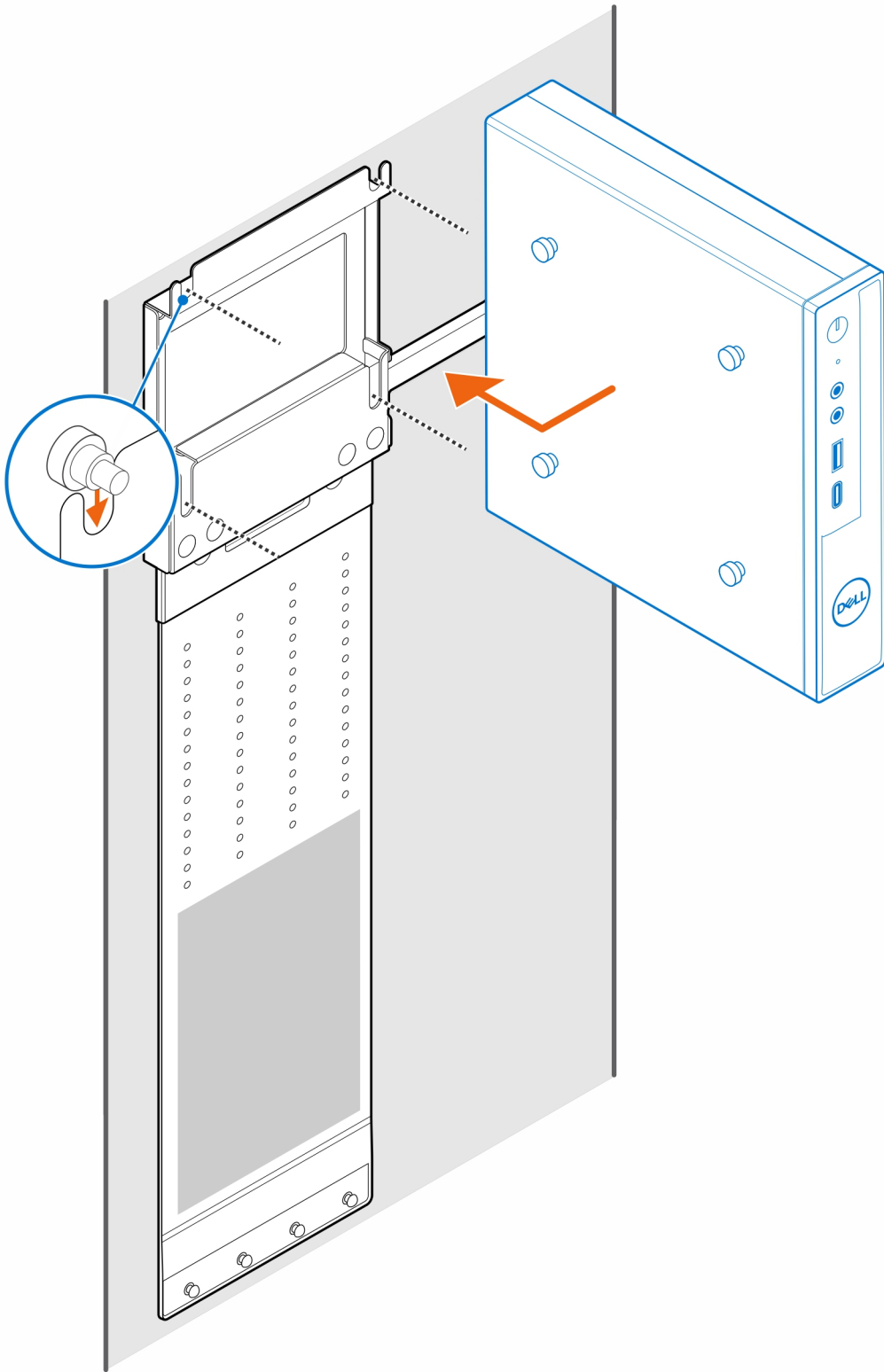
4. Install the two screws (M3x6) to secure the AC adapter sleeve to the VESA mount.



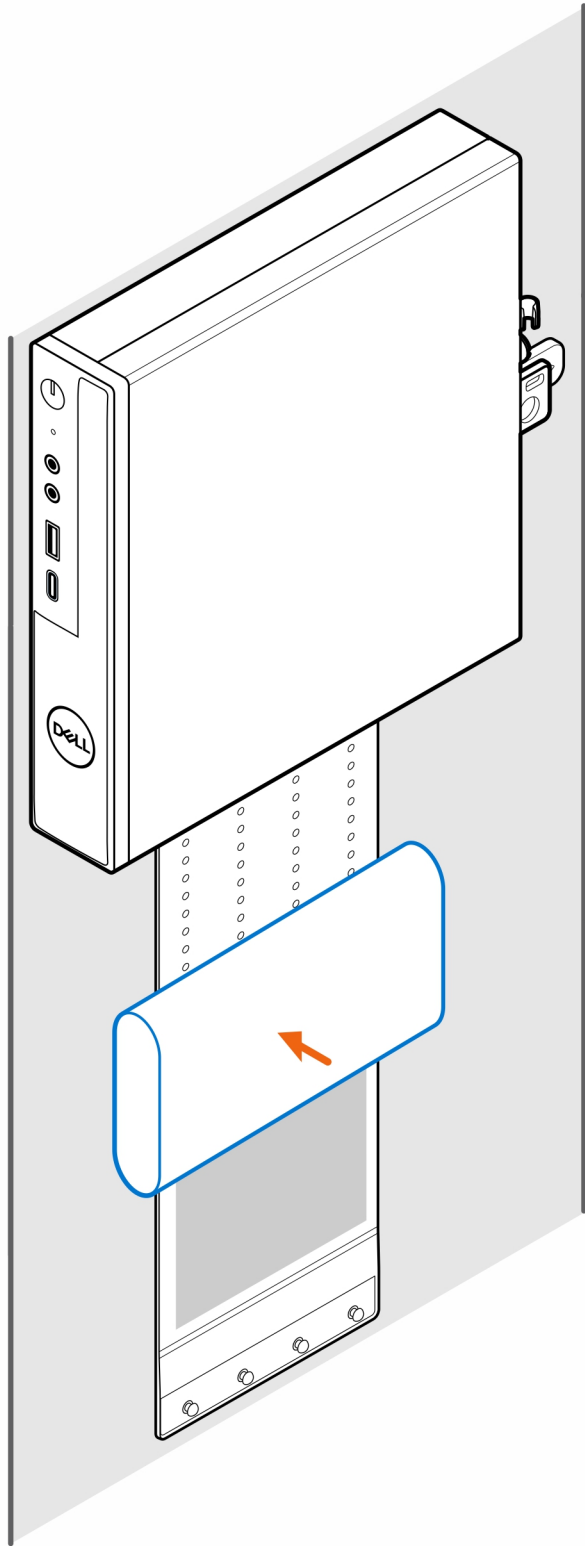
5. Install the four step screws (M4x4) on the chassis.



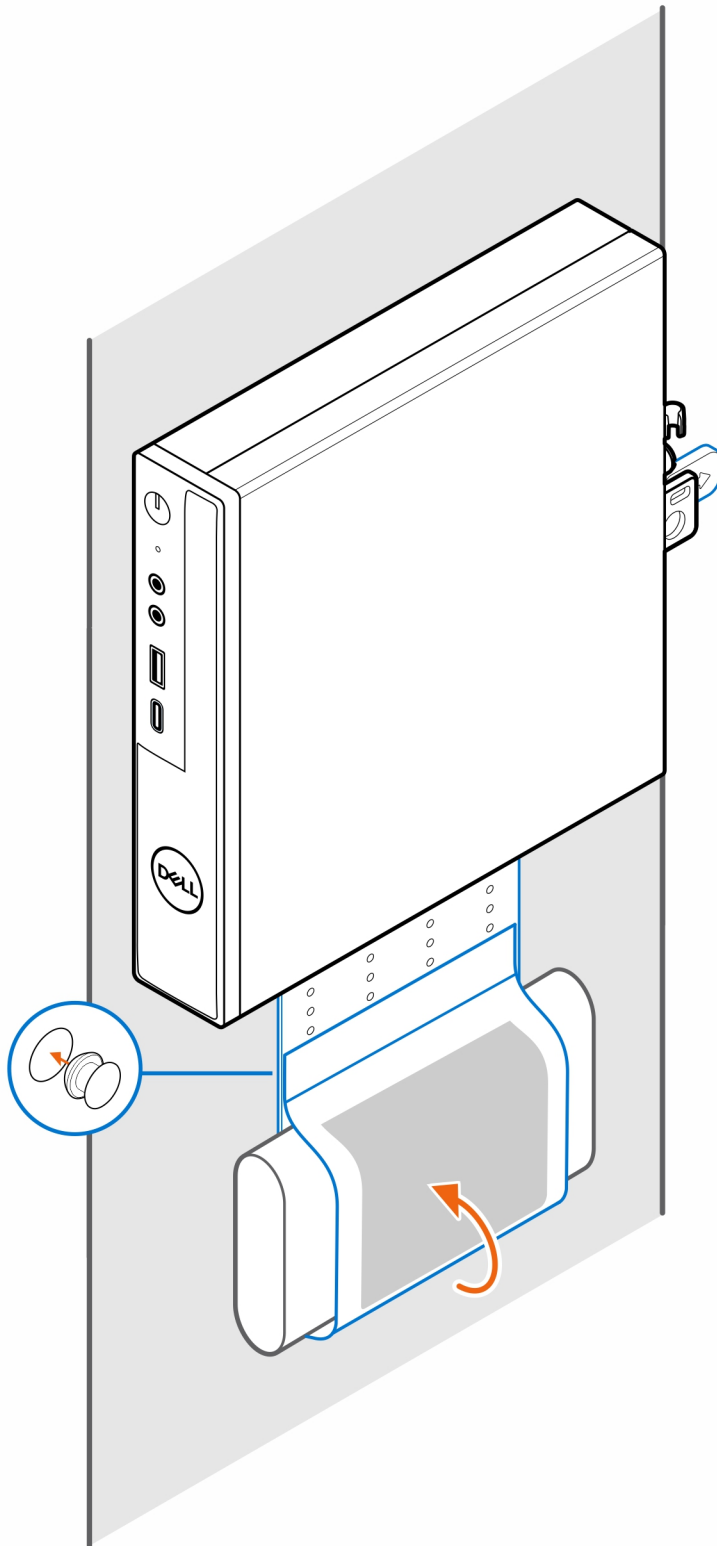
6. Align the step screw (M4x4) with the notches on the wall mount and mount the computer on the wall mount.



7. Place the AC adapter on the AC adapter sleeve.



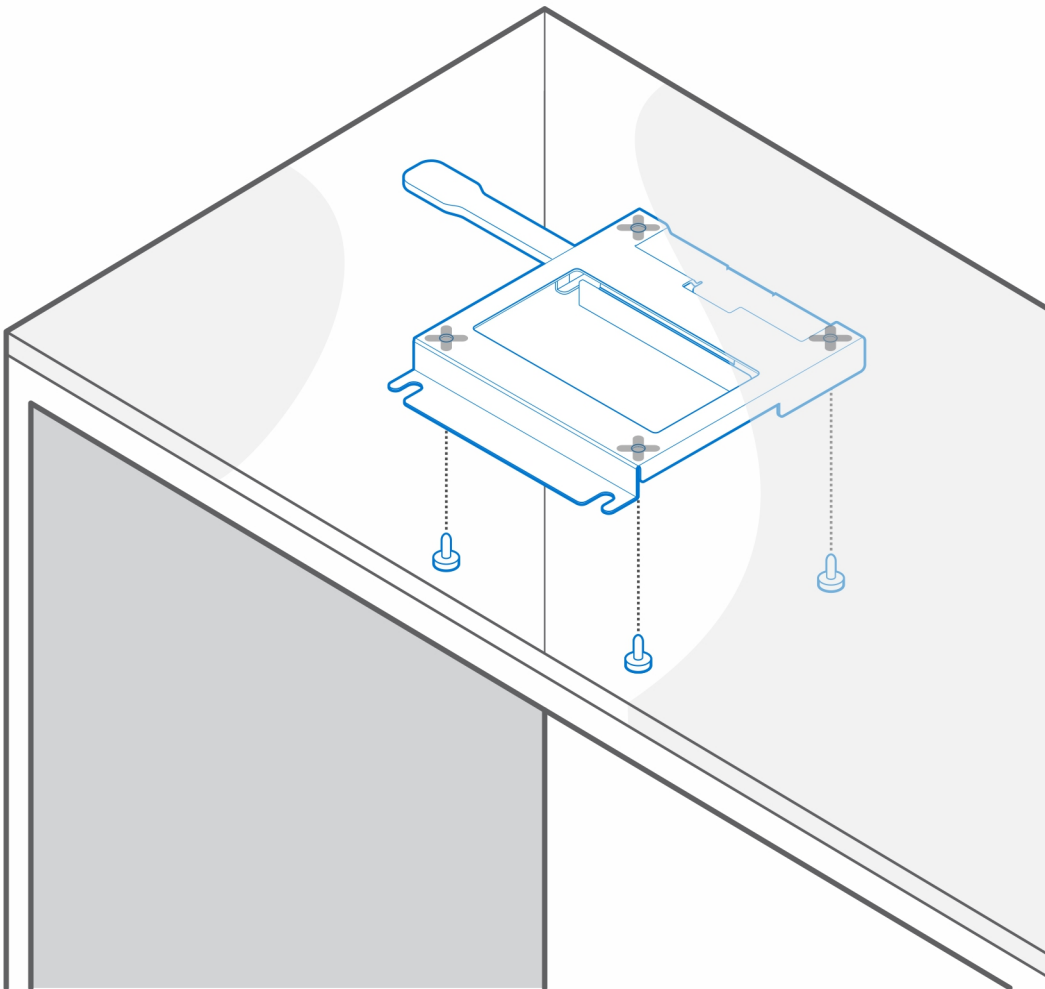
8. Wrap the sleeve around the AC adapter and insert the retaining tabs into the holes on the AC adapter sleeve at an appropriate level.



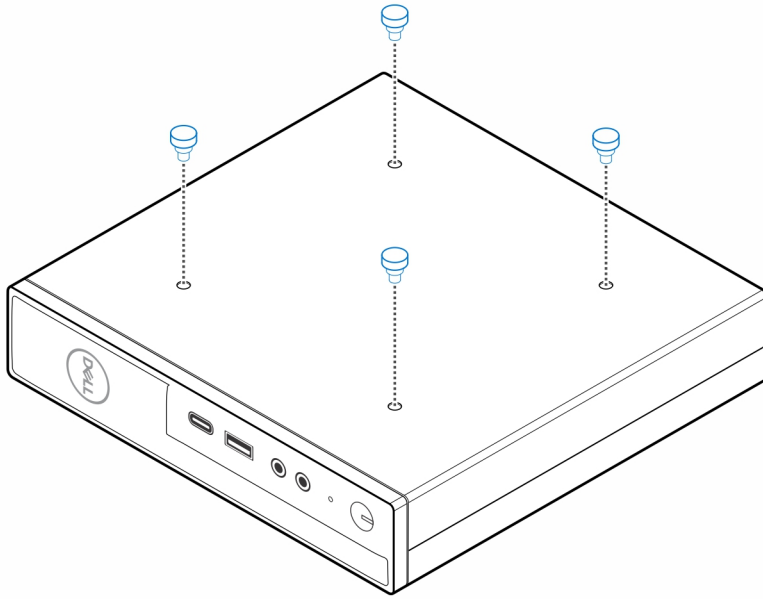
OptiPlex Micro Desk Mount

Steps

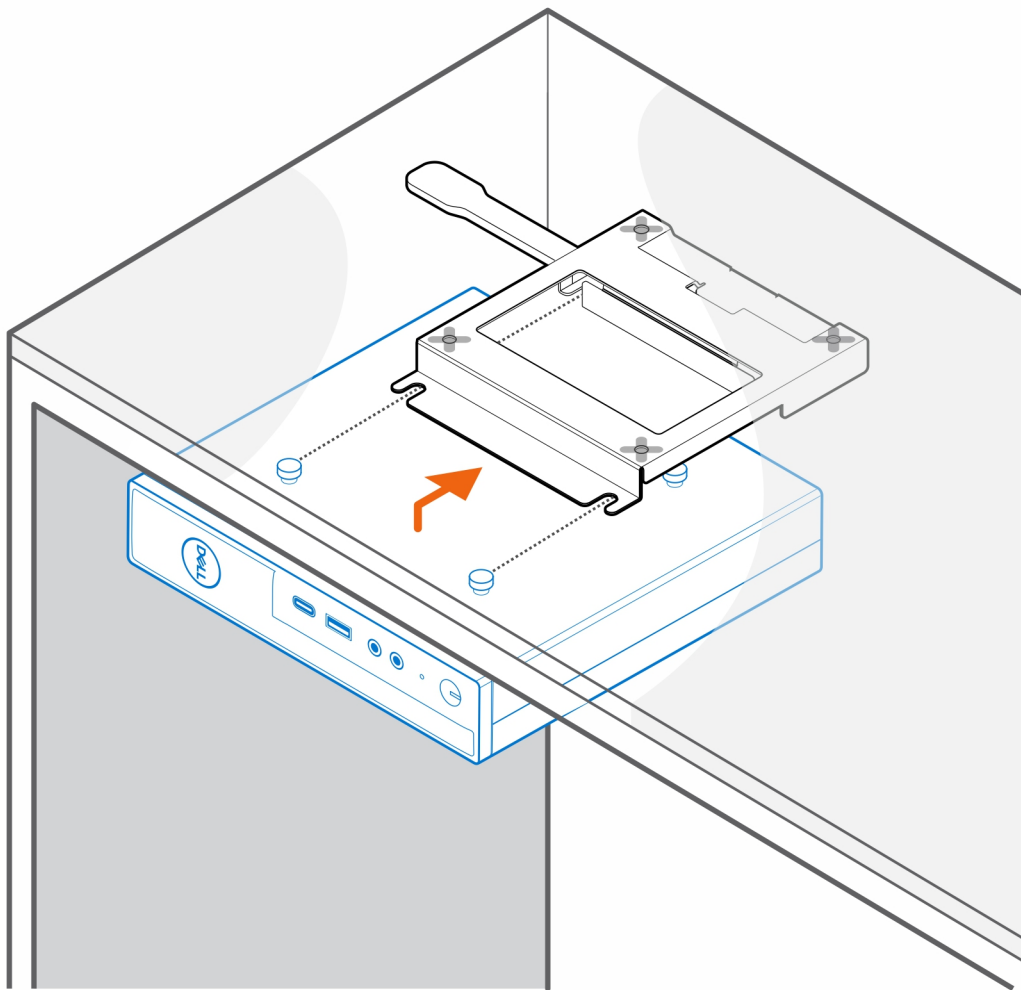
1. Follow the instructions in [Before working inside your computer](#).
2. Place the VESA mount under the desk.
3. Install the four self-tapping screws (M4x13) to secure the VESA mount under the desk.



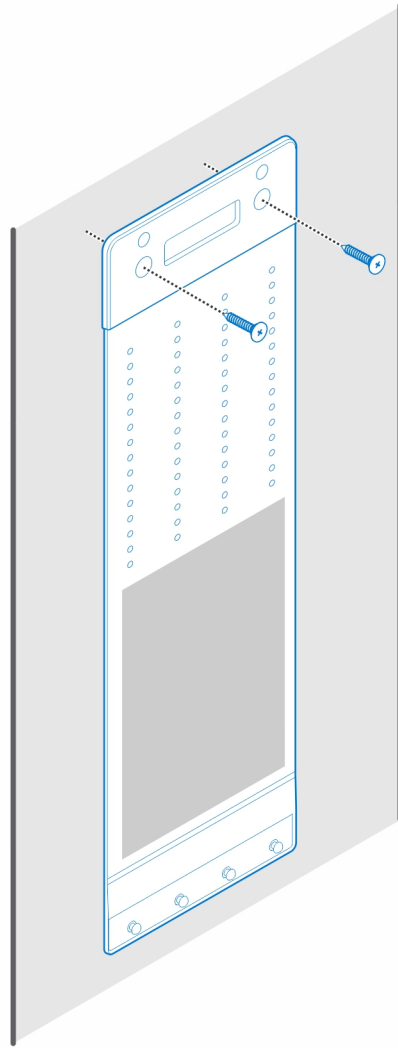
4. Install the four step screws (M4x4) on the chassis.



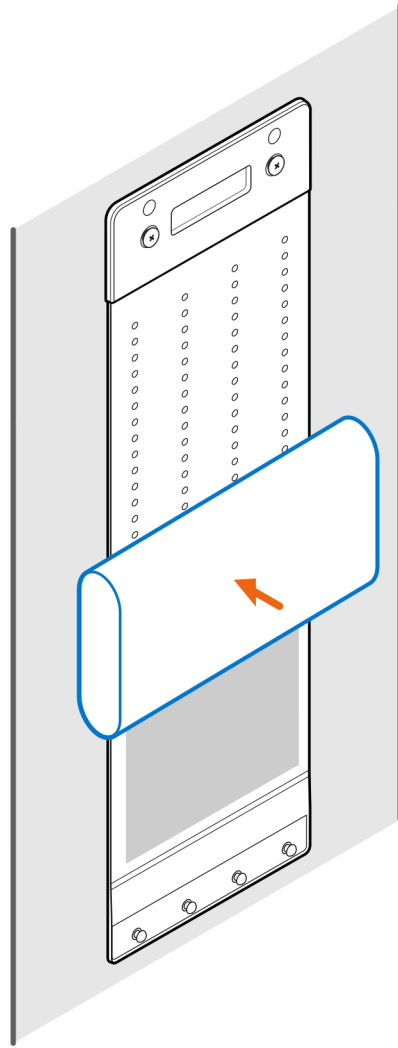
5. Align the step screws (M4x4) with the notches on the desk mount and mount the computer on the desk mount.



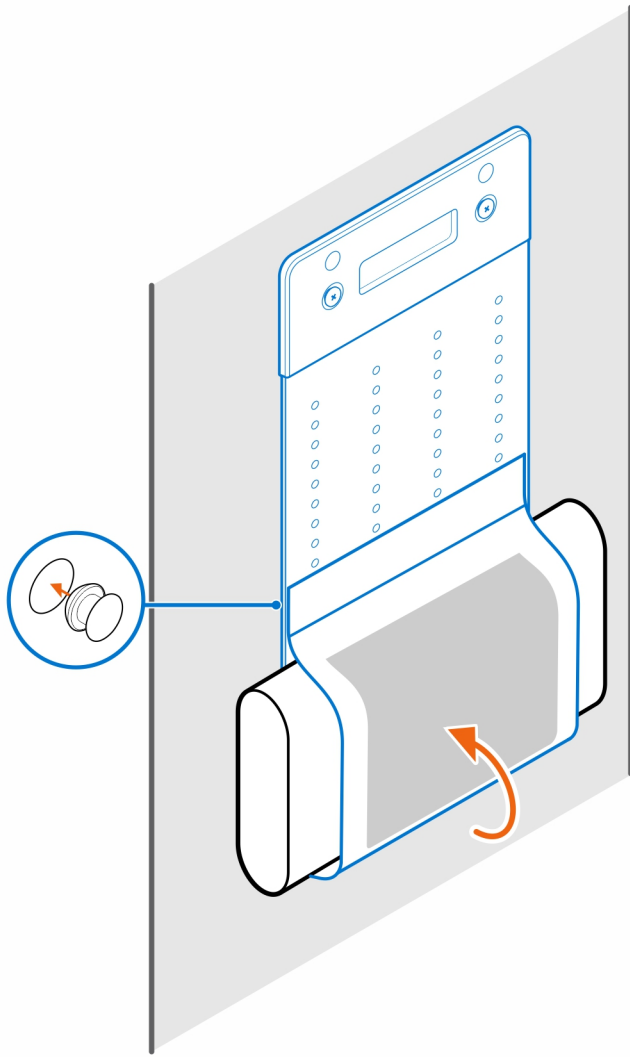
6. Install the two screws (M3x6) to secure the AC adapter sleeve under the desk.



7. Place the AC adapter on the AC adapter sleeve.



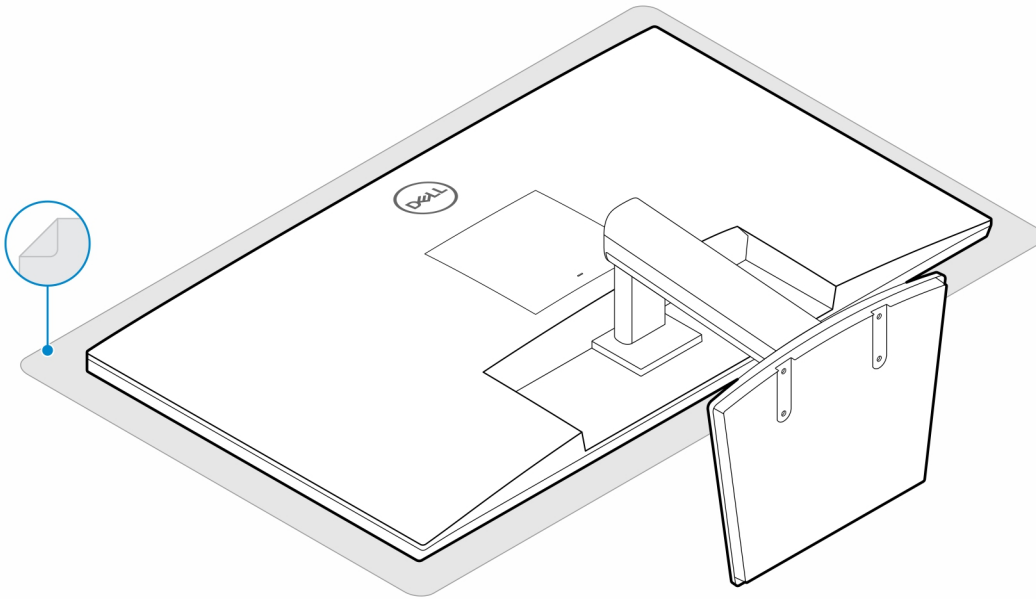
8. Wrap the sleeve around the AC adapter and insert the retaining tabs into the holes on the AC adapter sleeve at an appropriate level.



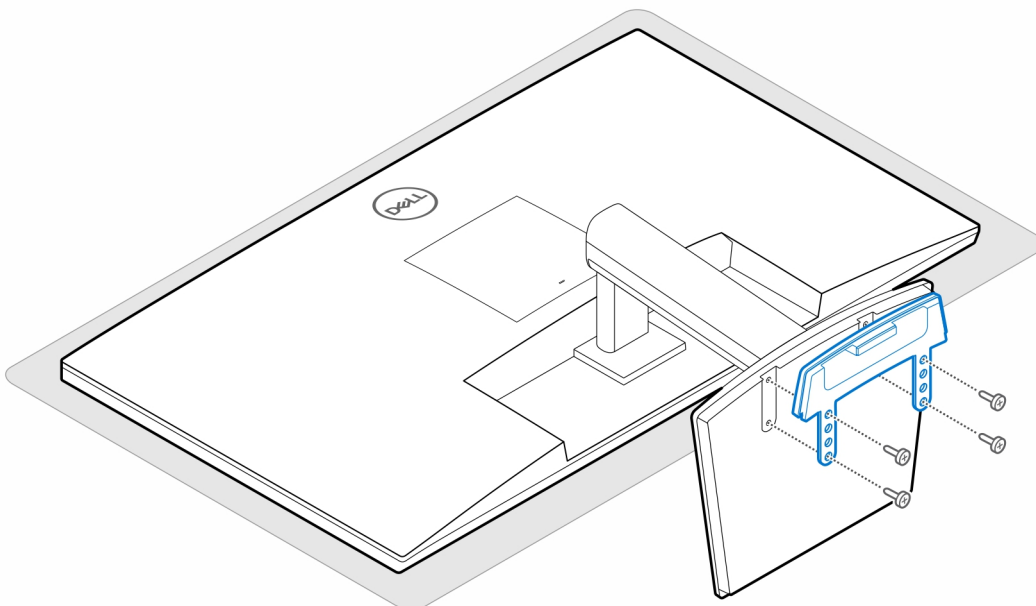
OptiPlex Micro Pro-2 E Series Monitor Mount

Steps

1. Follow the instructions in [Before working inside your computer](#).
2. Place the monitor on a soft cloth or cushion.

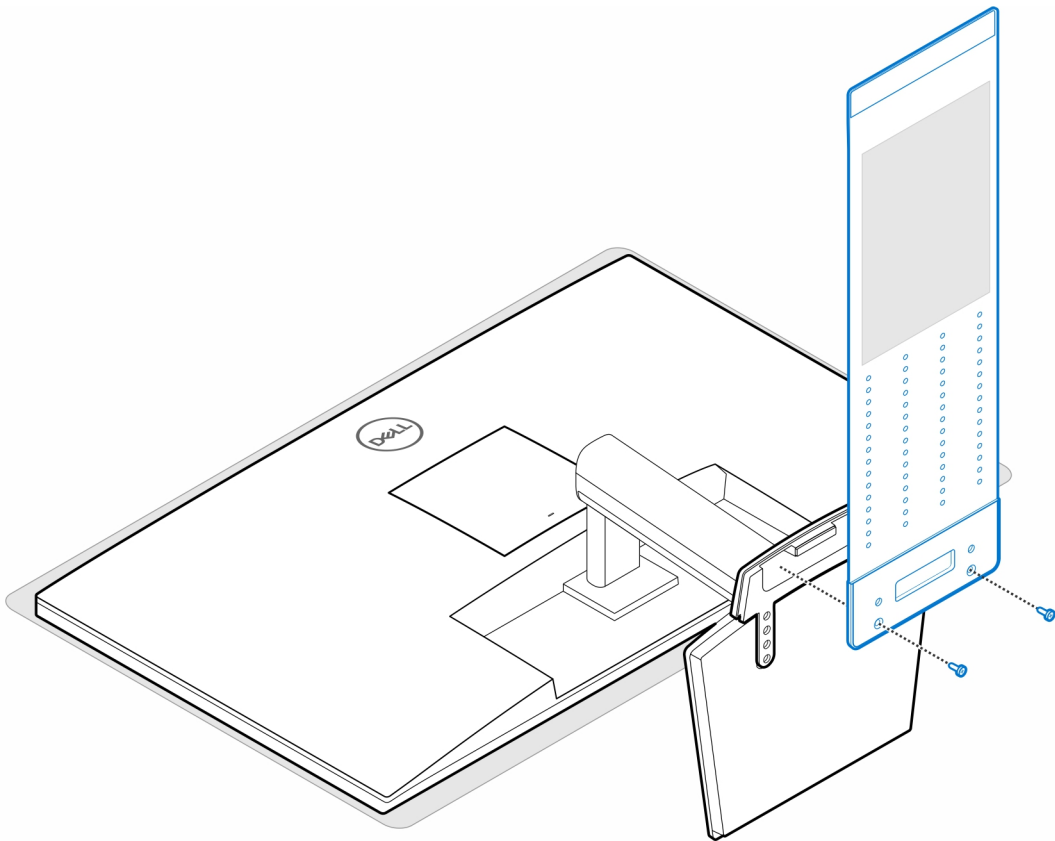


3. Install the four screws (M2.5x7) to secure the extender to the monitor stand.

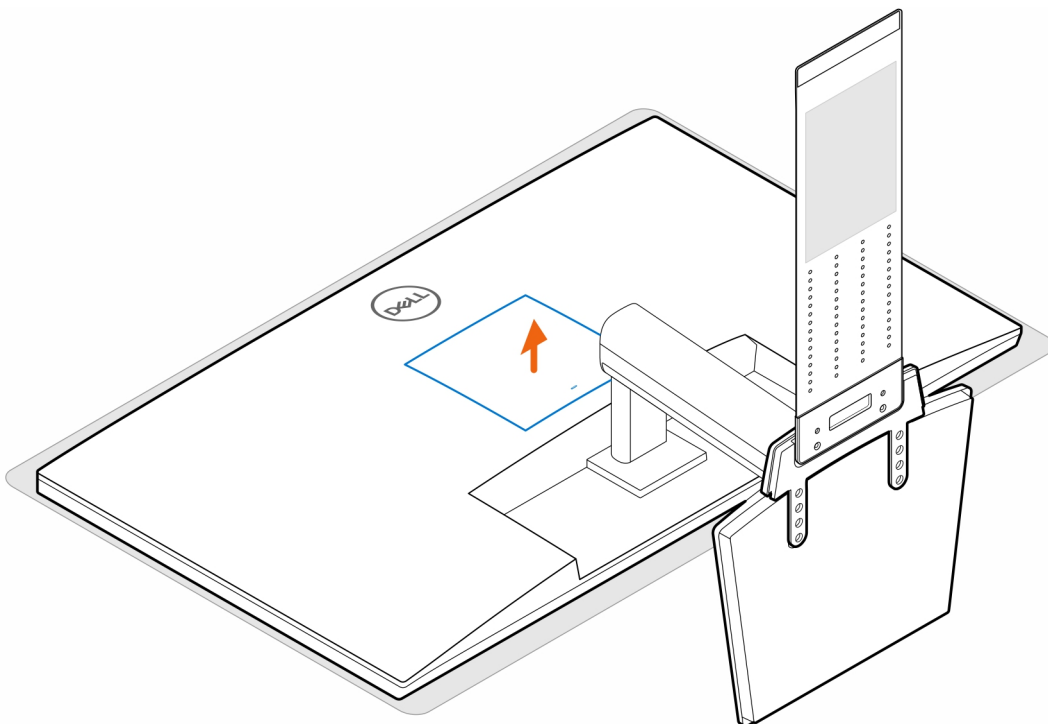


4. Install the two screws (M3x6) to secure the AC adapter sleeve (upsell) to the all-in-one stand.

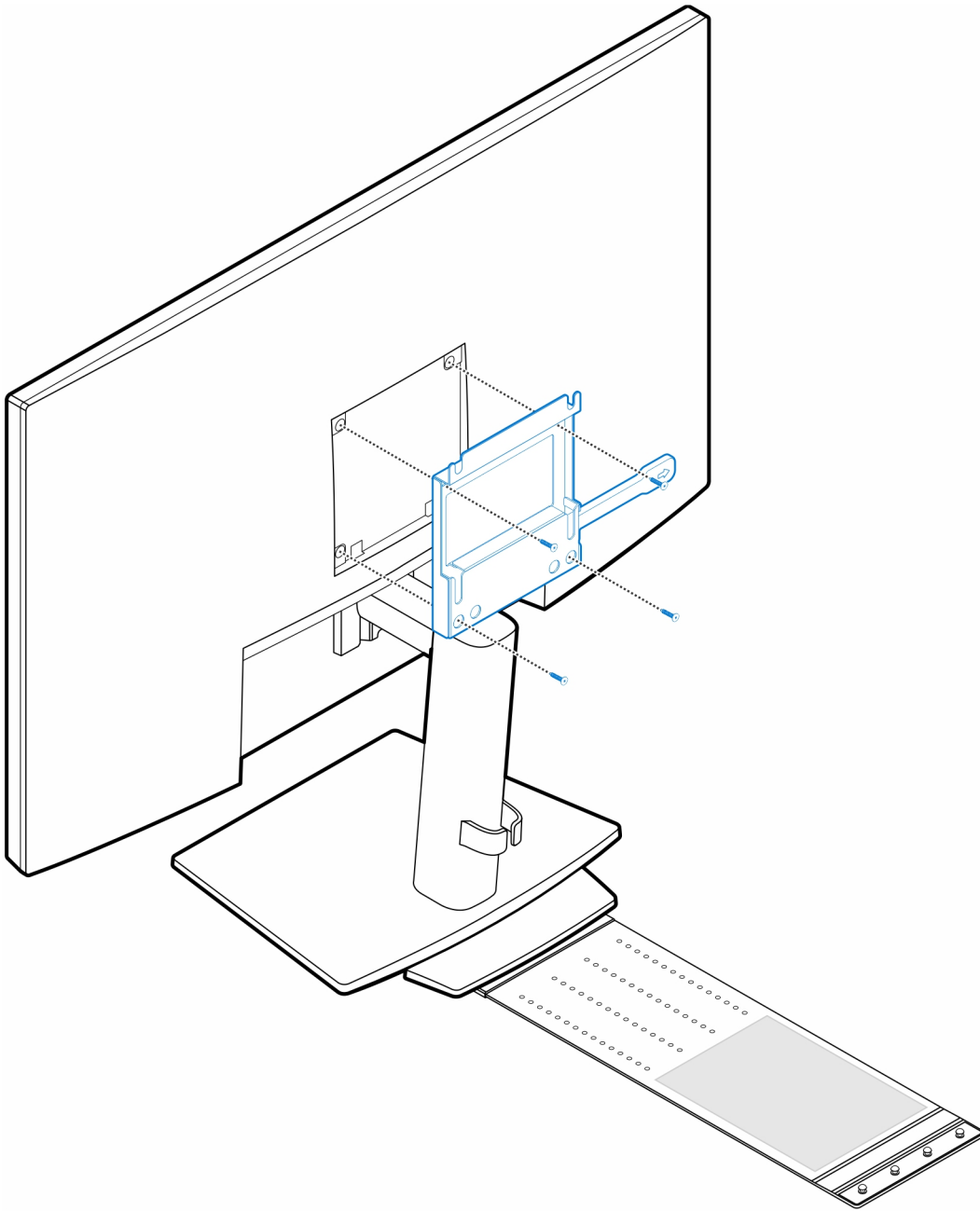
i **NOTE:** The AC adapter sleeve is an optional component that needs to be purchased separately.



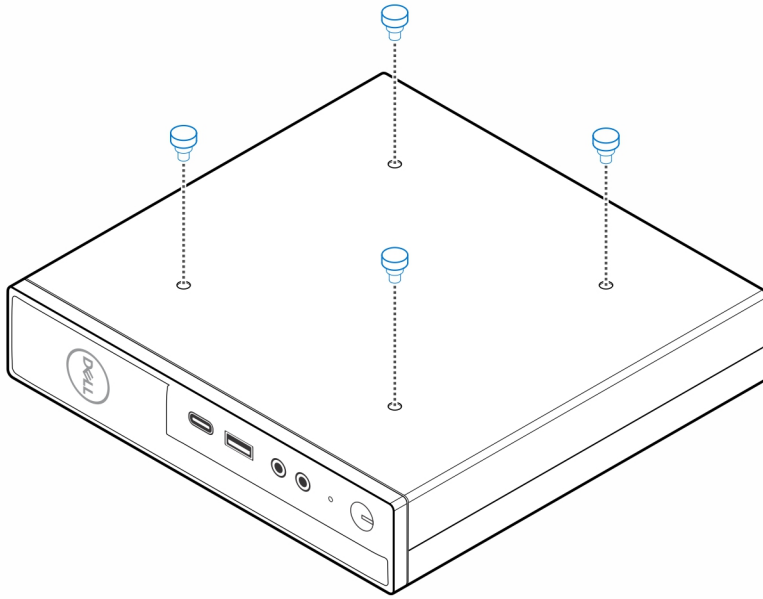
5. Remove the monitor back cover.



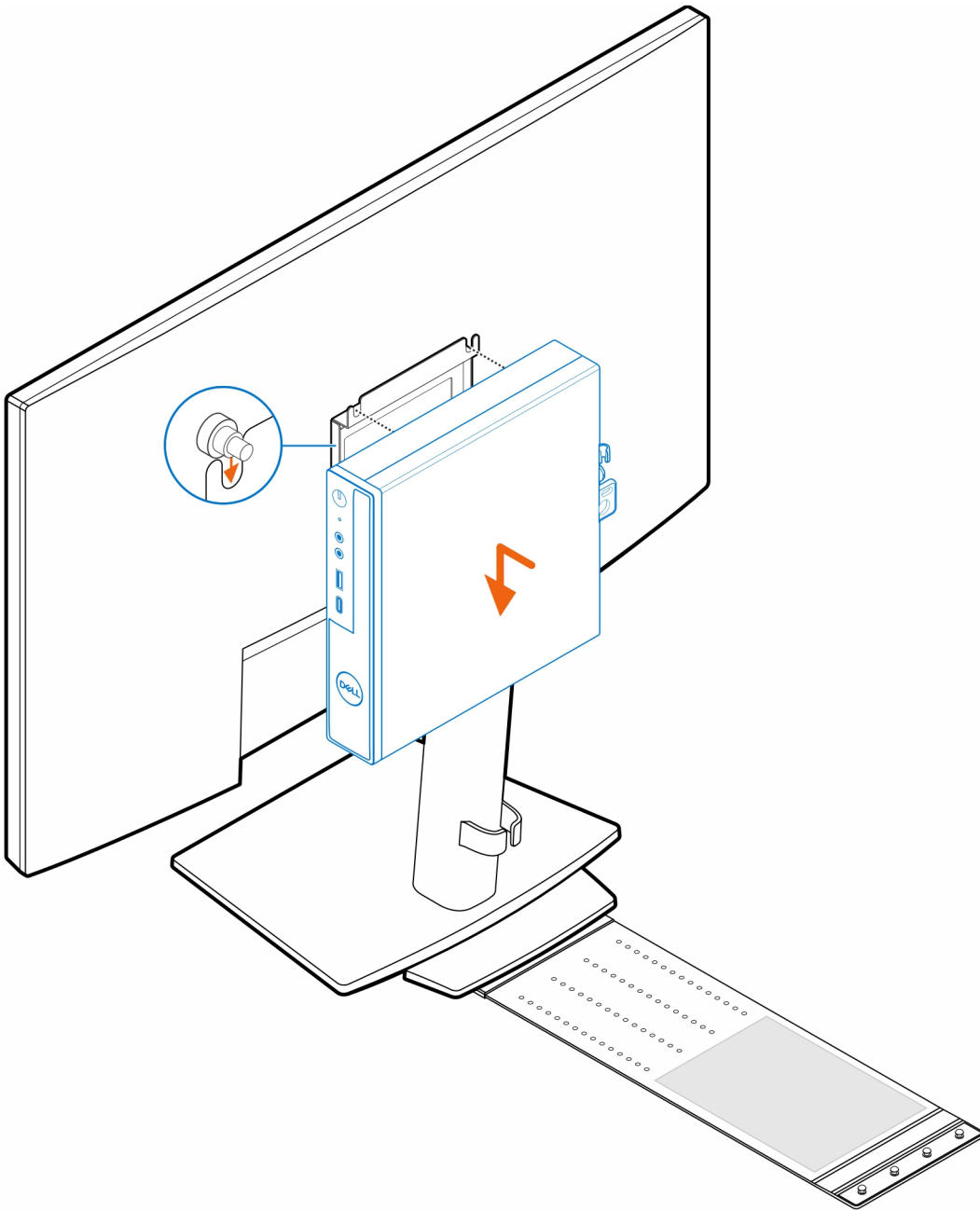
6. Install the four screws (M4x10) to secure the VESA mount to the monitor.



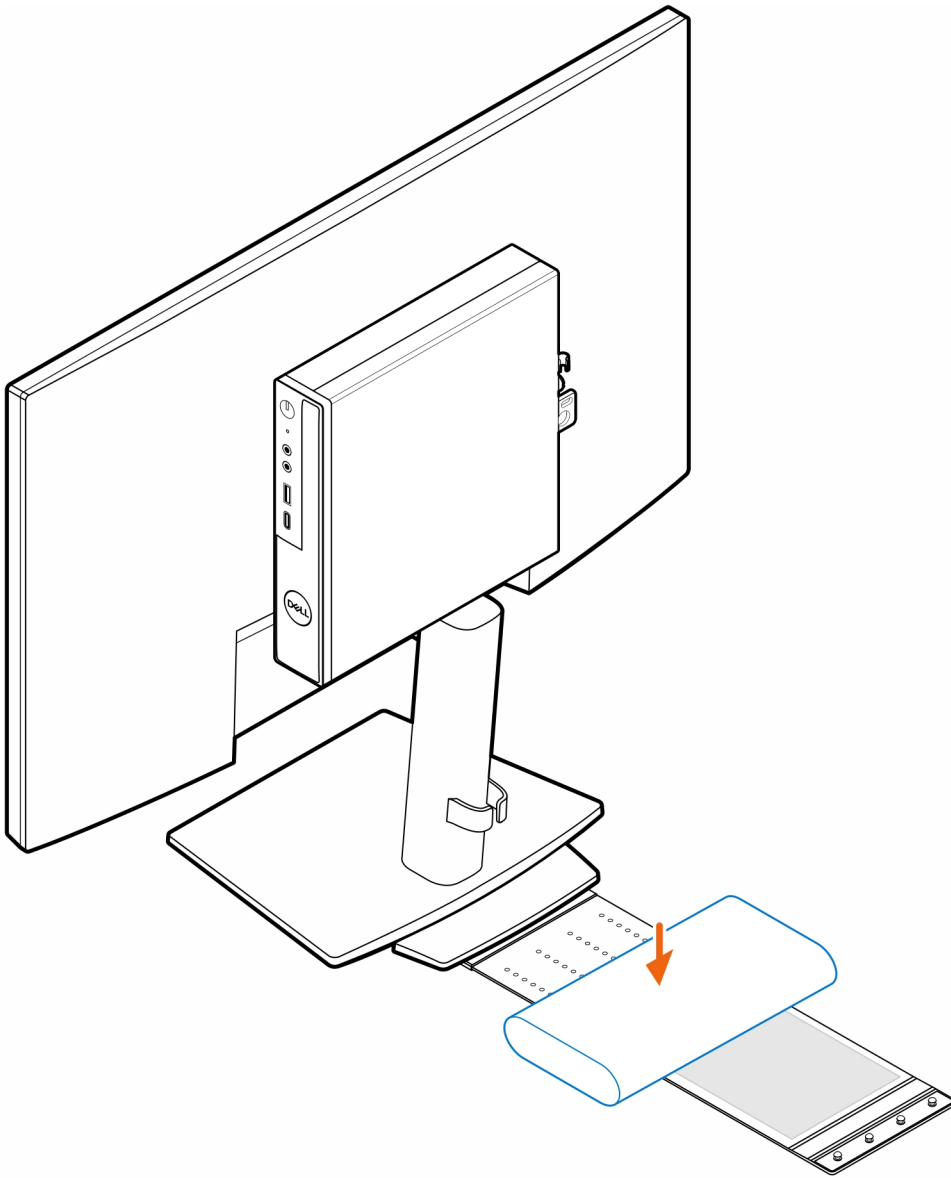
7. Install the four step (M4x4) screws on the chassis.



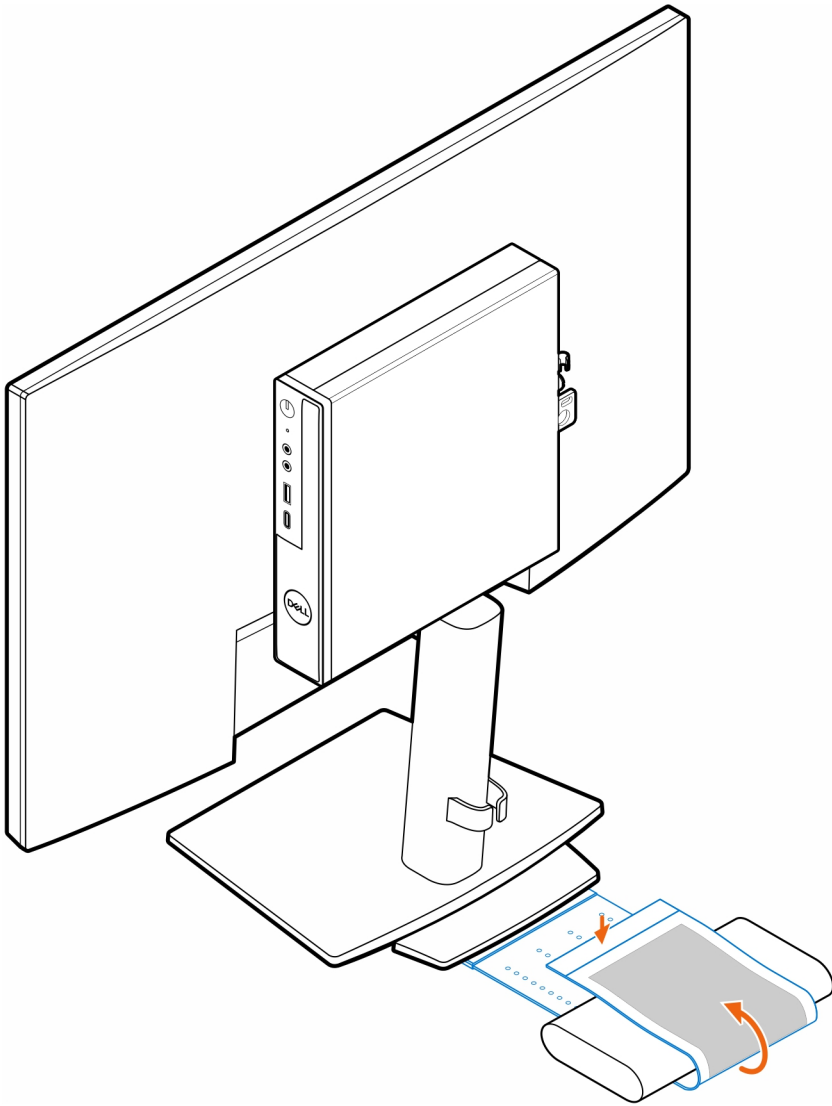
8. Align the step screws (M4x4) with the notches on the VESA mount and mount the computer on the VESA mount.



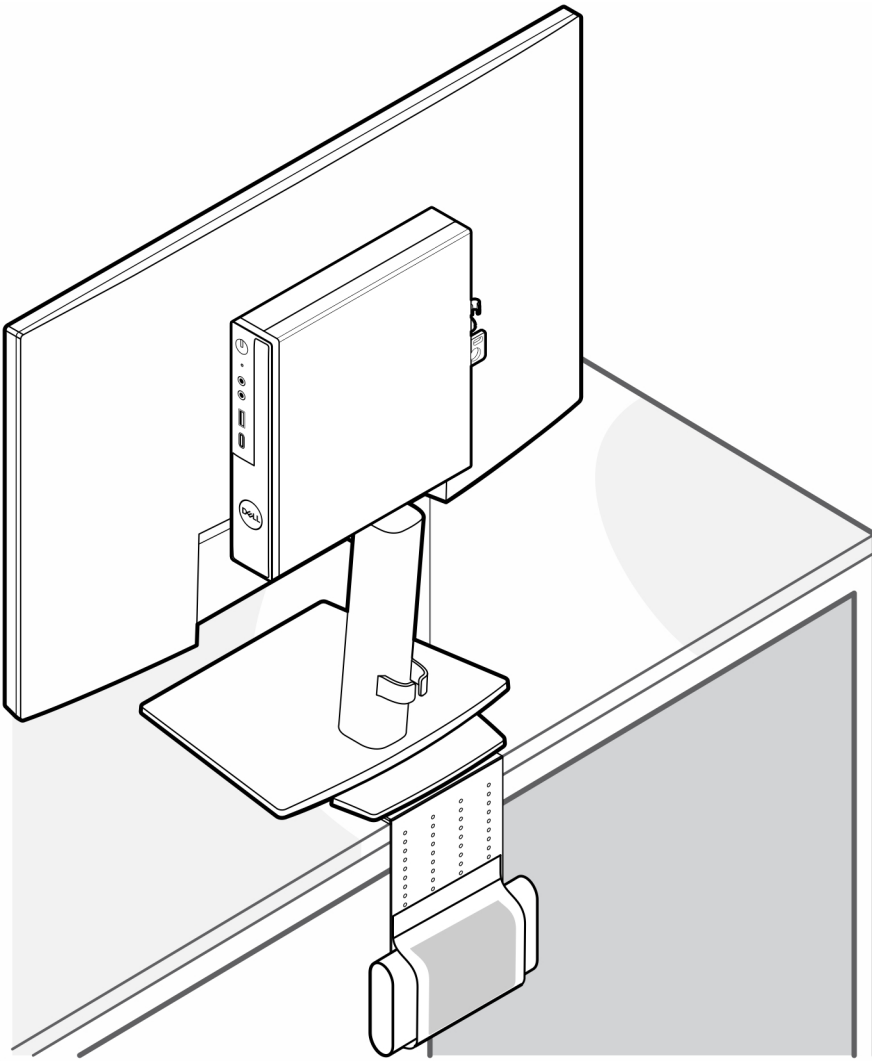
9. Place the AC adapter on the AC adapter sleeve.



10. Wrap the sleeve around the AC adapter and insert the retaining tabs into the holes on the AC adapter sleeve at an appropriate level.



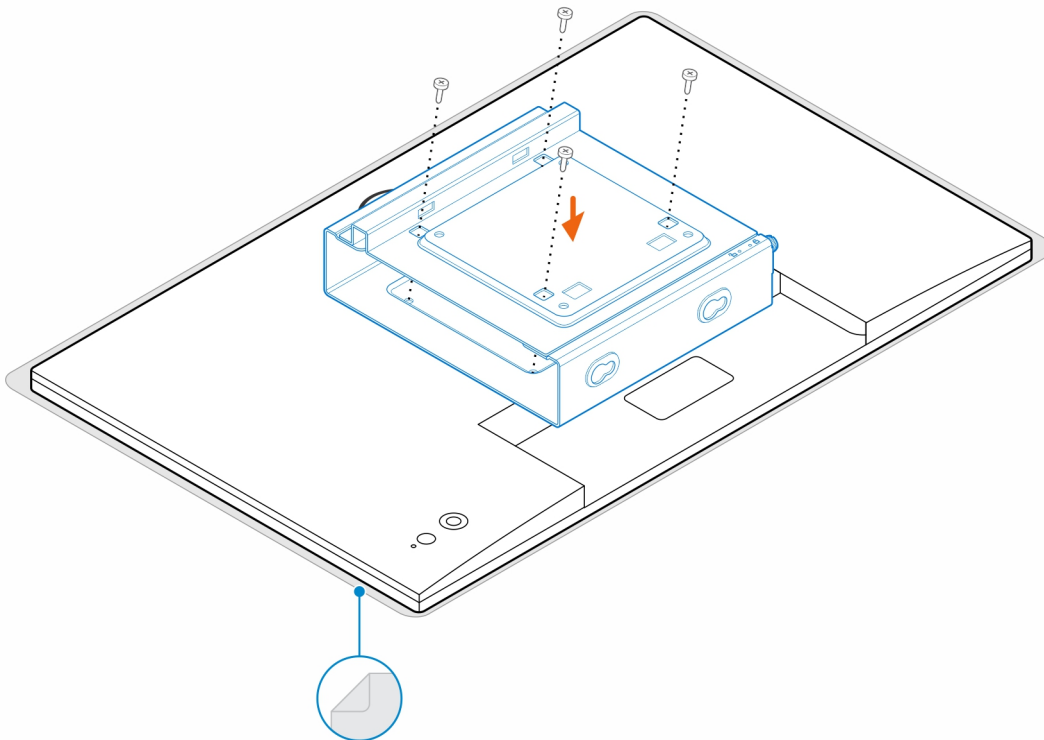
11. Place the AC adapter sleeve behind the desk.



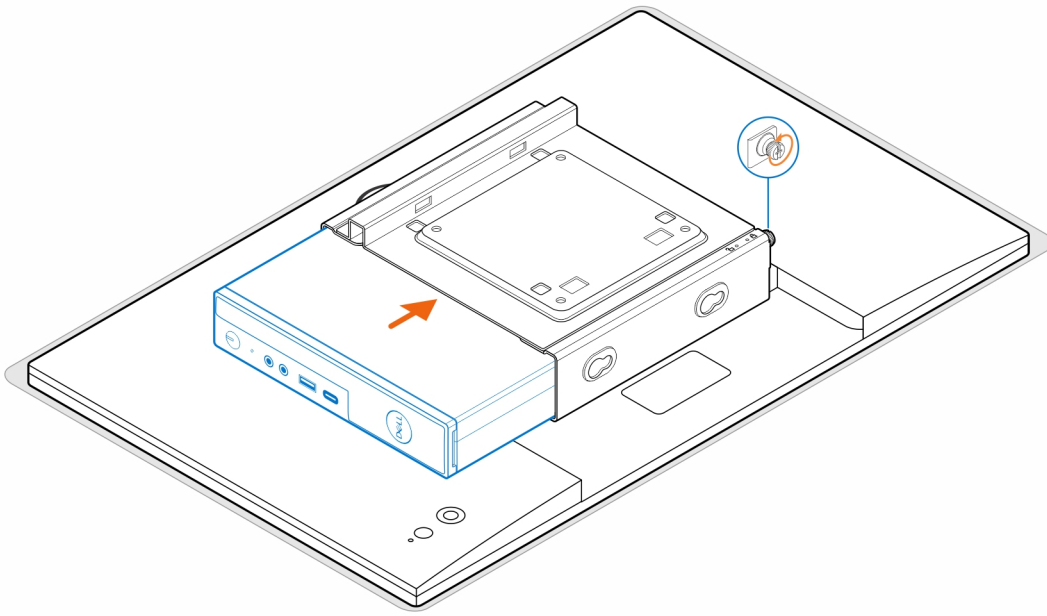
OptiPlex Micro Dual Vesa Mount

Steps

1. Follow the instructions in [Before working inside your computer](#).
2. Place the monitor on a soft cloth or cushion.
3. Remove the monitor back cover.
4. Install the four screws (M4x10) to secure the VESA mount on the monitor.



5. Slide the computer into the VESA mount.
6. Tighten the thumbscrew to secure the computer to the VESA mount.



- Align the screws on the power adapter enclosure with the screw holes on the VESA mount and slide the power adapter enclosure to lock it in place.

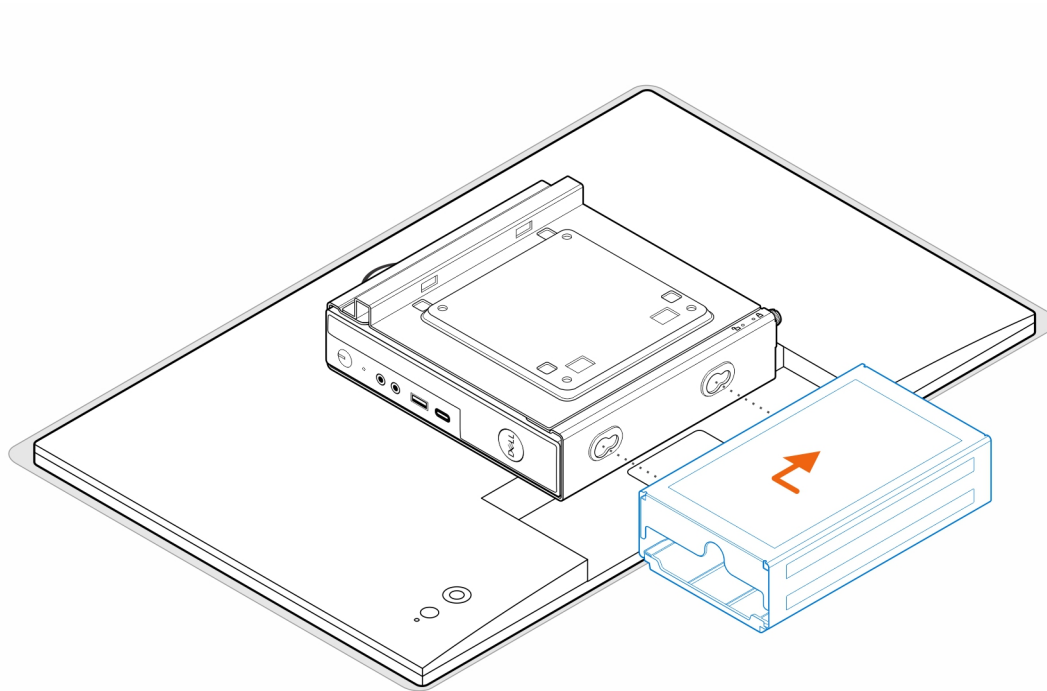


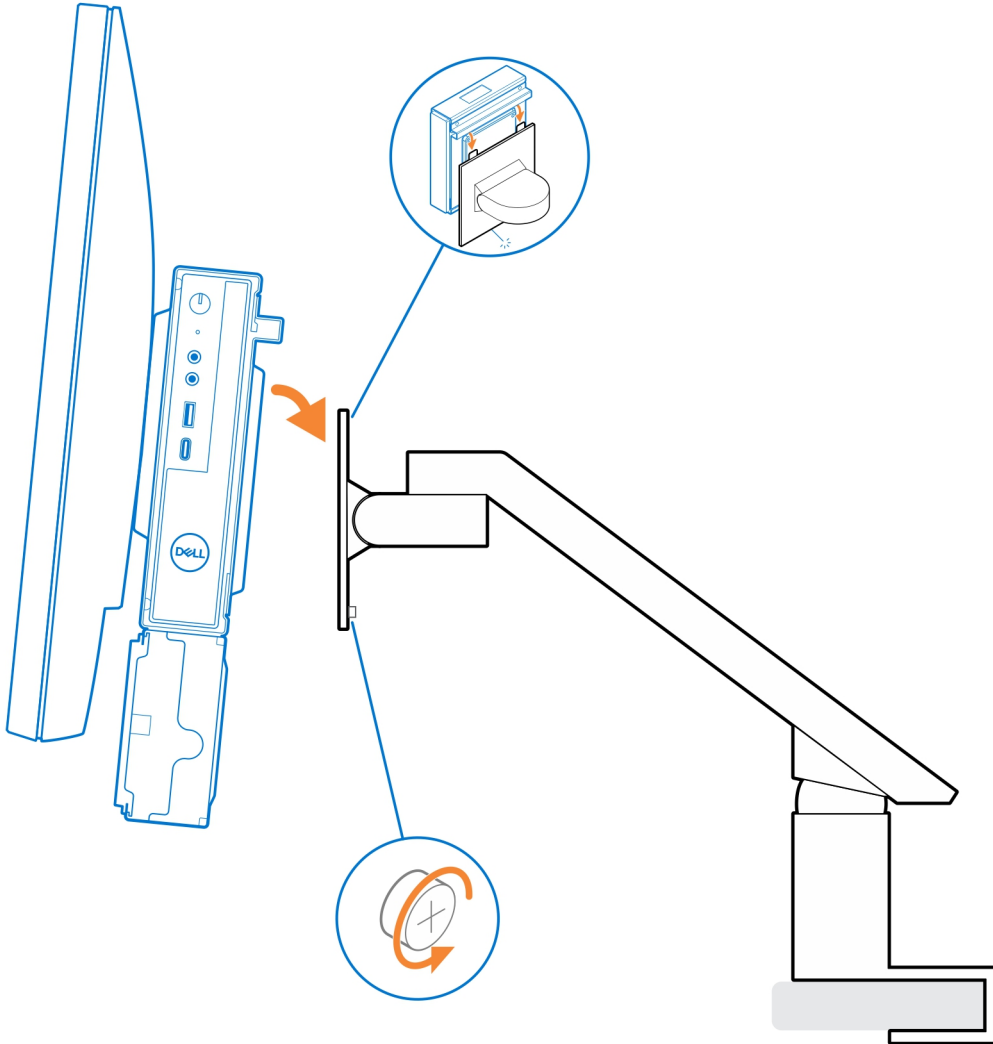
Table 1. Compatible AC adapters

65 W AC adapter
90 W AC adapter
130 W AC adapter

Table 1. Compatible AC adapters (continued)

180 W AC adapter

8. Lift the monitor and insert the slots on the VESA mount into the hooks on the monitor arm until it clicks in place.
9. Tighten the screw (M4x12) on the monitor arm to secure the monitor to the monitor arm.



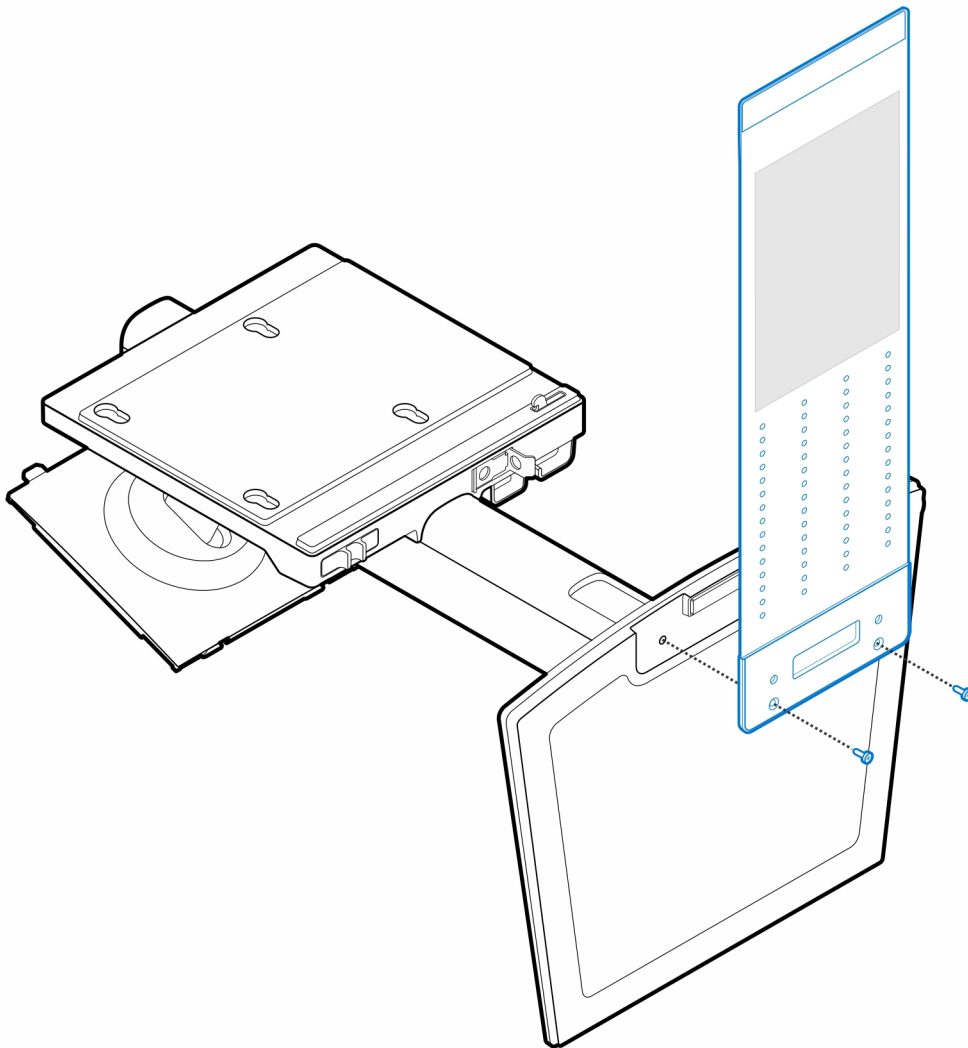
OptiPlex Micro All-in-One Stand - MFS22

About this task

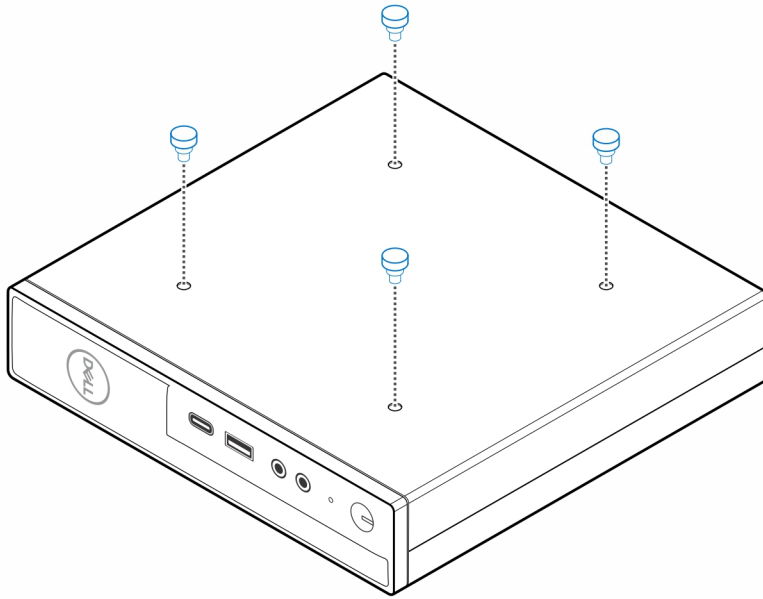
Steps

1. Install the two screws (M3x6) to secure the AC adapter sleeve (upsell) to the all-in-one stand.

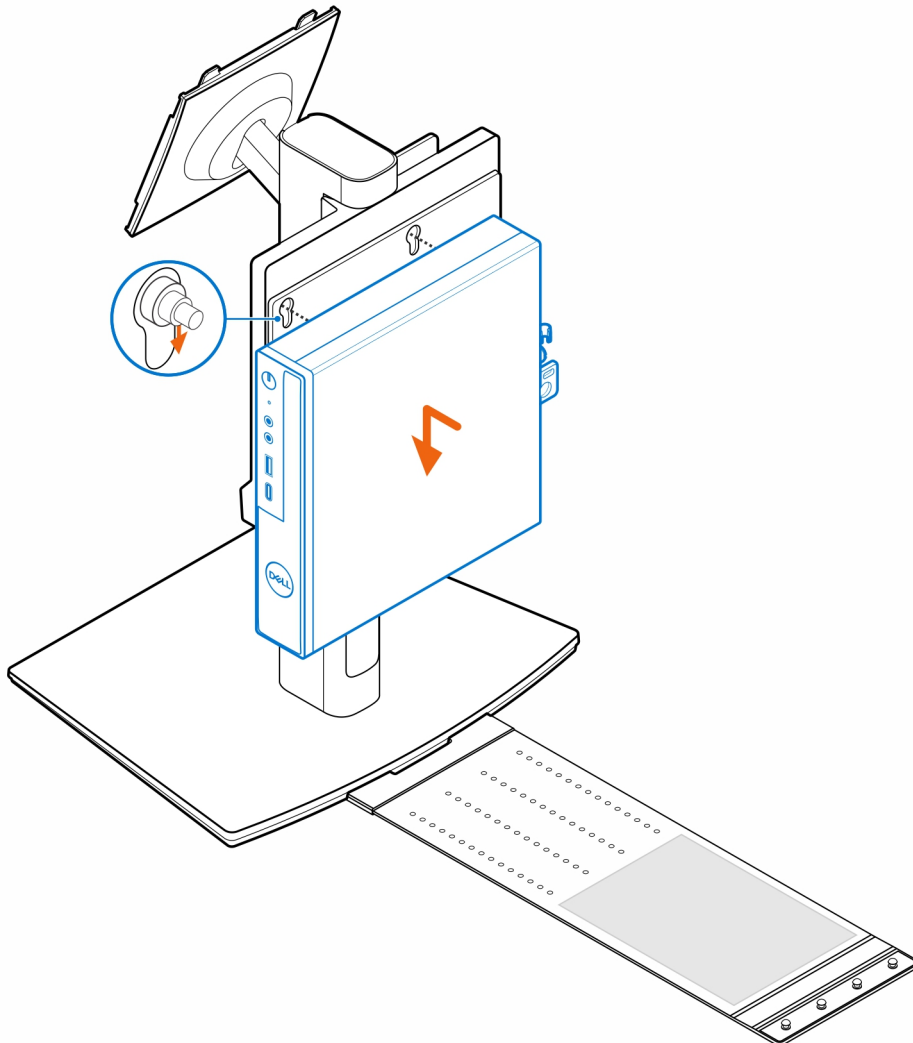
i **NOTE:** The AC adapter sleeve is an optional component that needs to be purchased separately.



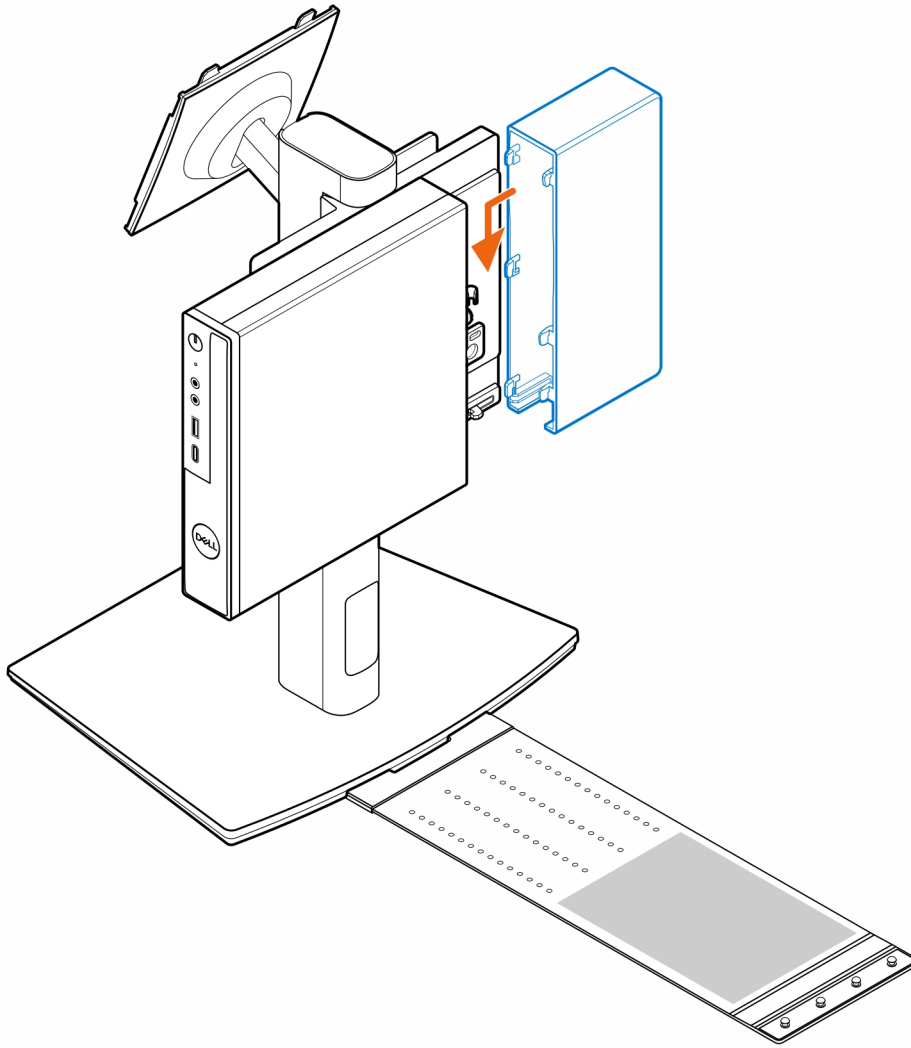
2. Install the four step (M4x4) screws on the chassis.



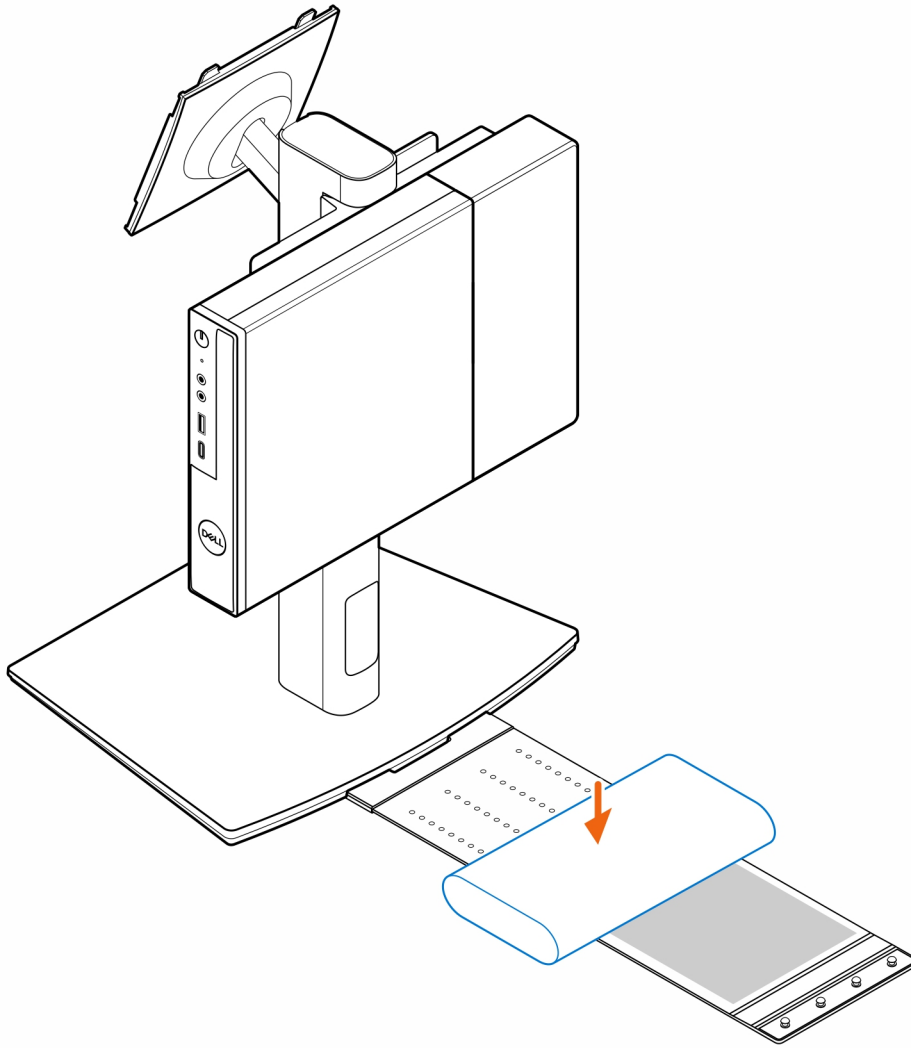
3. Align the step screws (M4x4) with the notches on the all-in-one stand and mount the computer on the all-in-one stand.



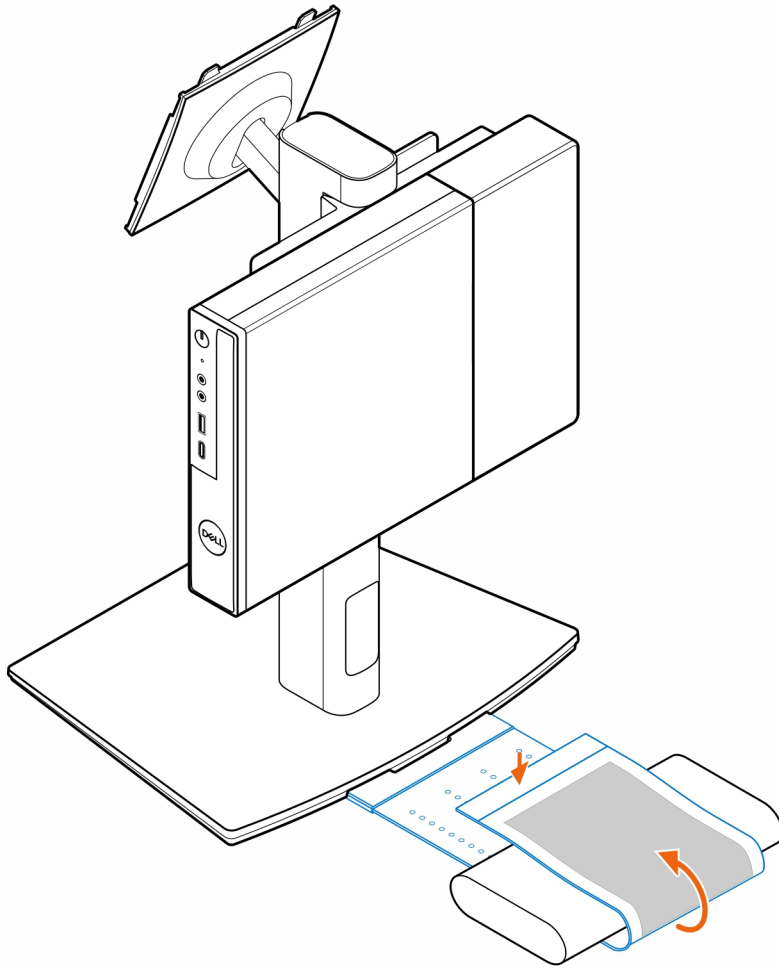
4. Align the tabs on the cable cover with the slots on the computer and slide the cable cover to lock it in place.



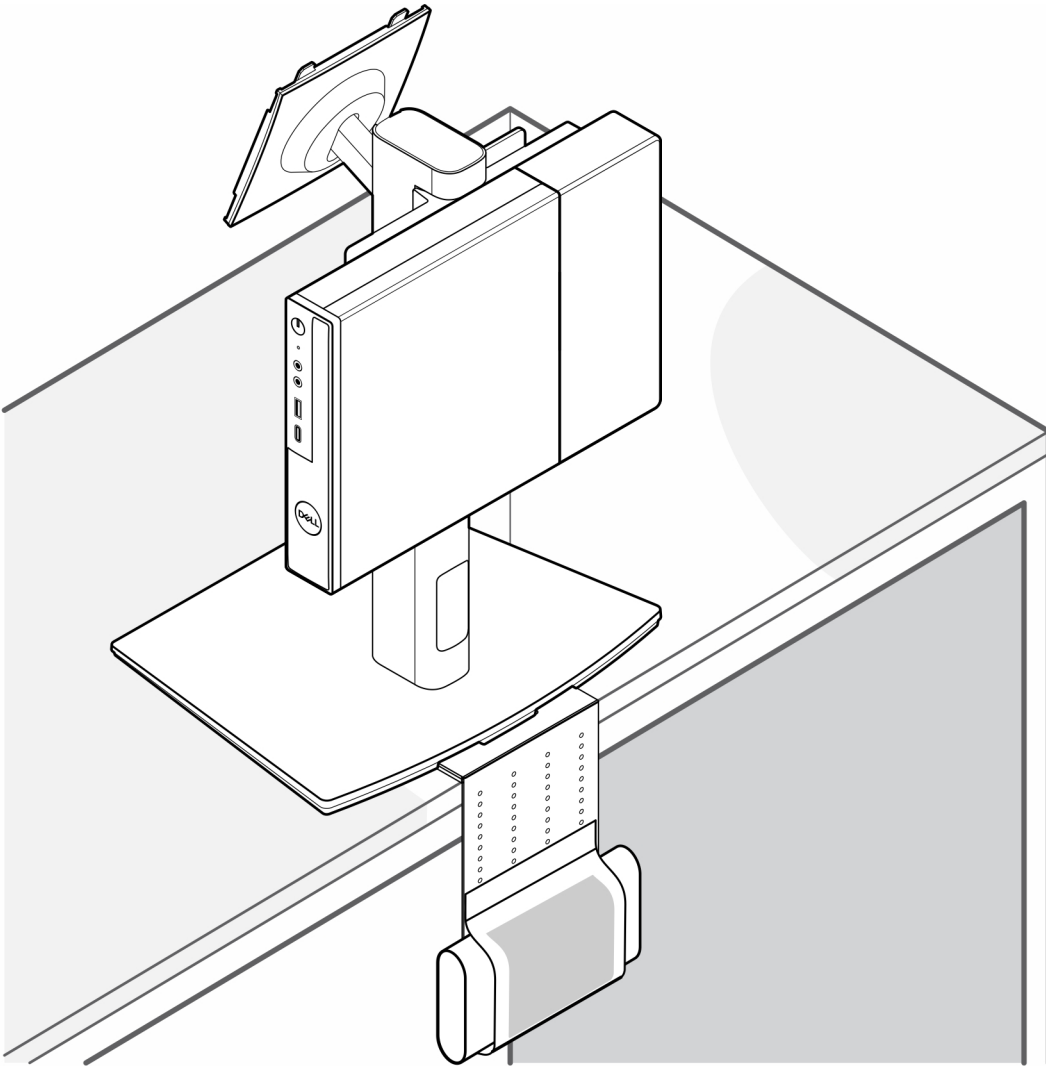
5. Place the AC adapter on the AC adapter sleeve .



6. Wrap the sleeve around the AC adapter and insert the retaining tabs into the holes on the AC adapter sleeve at an appropriate level.



7. Place the AC adapter sleeve behind the desk.





Getting help and contacting Dell

Self-help resources


You can get information and help on Dell products and services using these self-help resources:


Table 2. Self-help resources

Self-help resources	Resource location
Information about Dell products and services	www.dell.com
My Dell app	
Tips	
Contact Support	In Windows search, type <code>Contact Support</code> , and press Enter.
Online help for operating system	www.dell.com/support/windows
Access top solutions, diagnostics, drivers and downloads, and learn more about your computer through videos, manuals and documents.	Your Dell computer is uniquely identified by a Service Tag or Express Service Code. To view relevant support resources for your Dell computer, enter the Service Tag or Express Service Code at www.dell.com/support . For more information on how to find the Service Tag for your computer, see Locate the Service Tag on your computer .
Dell knowledge base articles for a variety of computer concerns	<ol style="list-style-type: none"> 1. Go to www.dell.com/support. 2. On the menu bar at the top of the Support page, select Support > Knowledge Base. 3. In the Search field on the Knowledge Base page, type the keyword, topic, or model number, and then click or tap the search icon to view the related articles.

Contacting Dell

To contact Dell for sales, technical support, or customer service issues, see www.dell.com/contactdell.

 **NOTE:** Availability varies by country/region and product, and some services may not be available in your country/region.

 **NOTE:** If you do not have an active Internet connection, you can find contact information about your purchase invoice, packing slip, bill, or Dell product catalog.