

4K 60 Hz HDMI over Wireless Extender Kit with IR

B127-1A1-WHD3



Este manual está disponible en español en la página de Eaton: Tripplite.Eaton.com/support

Ce manuel est disponible en français sur le site Web de Eaton : Tripplite.Eaton.com/support

Dieses Handbuch ist in deutscher Sprache auf der Eaton-Website verfügbar: Tripplite.Eaton.com/support

Questo manuale è disponibile in italiano sul sito web di Eaton: Tripplite.Eaton.com/support

Purchased product may differ from image.

EATON

Powering Business Worldwide

Important Safety Instructions



- Do not expose this device to rain or place it near water. Any liquid that goes into the device may cause a failure, fire, or electric shock.
- Never insert anything metallic into the open parts of this device. This may cause a danger of electric shock.
- Do not place this device near or over a radiator or heat register, or where it is exposed to direct sunlight.
- The device should be repaired only by a qualified technician.
- If a third-party power supply is used, please ensure that the power supply specifications meet the product requirements.

Features

- Utilizes ipcolor STREAM technology to realize high definition and low-latency transmission.
- Supports up to 3840x2160@60 Hz resolution, backward compatible.
- Supports wireless transmission up to 164 ft. / 50 m (line of sight).
- Transmitter supports HDMI loop out.
- Supports SSID pairing and channel switching to avoid interference.
- Supports IR passback.
- Supports 5G wireless frequency bands for strong anti-interference.
- Supports firmware upgrade via Micro USB port.

Package Contents



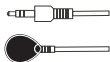
Transmitter x1



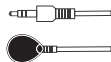
Receiver x1



5V 2A power
adapter x2



IR receiver extension
cable x1



IR blaster extension
cable x1



Antenna x4



Mounting ear x4



Screw x10



Grounding screw x2



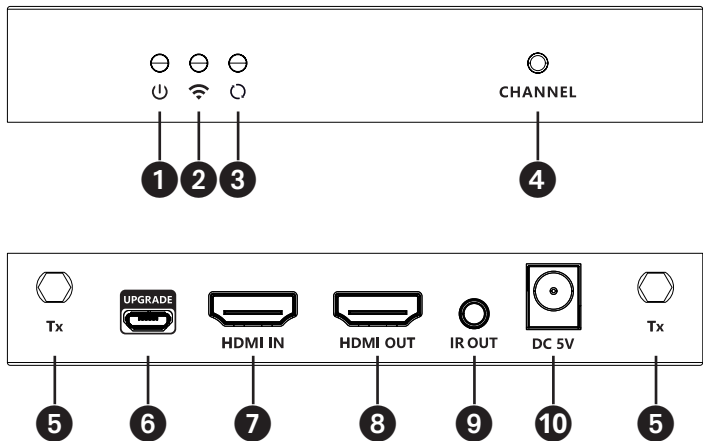
User Documentation x1

Installation Requirements

- HDMI source device (DVD, game console, PC, etc.)
- HDMI display device (TV, projector, LED screen, etc.)

Product Description

Transmitter (TX)

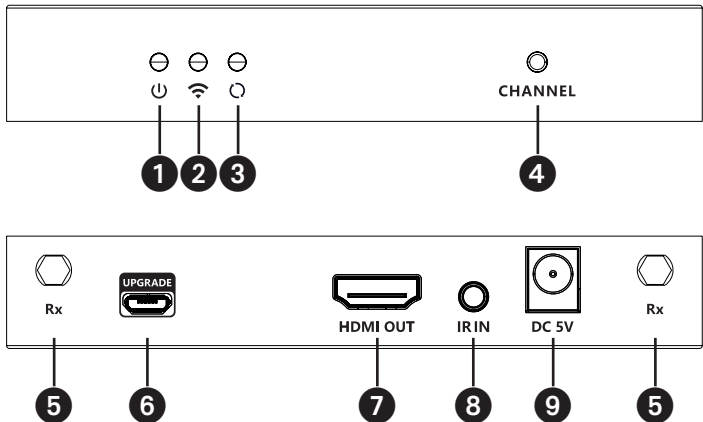


Product Description

- | | |
|--------------------------------|--|
| 1 Power indicator | Turns blue when the power is turned on |
| 2 WiFi indicator | Slow flash: waiting for connection
Steady on: connection successful
Quick flash: SSID Pairing mode |
| 3 Signal indicator | Light off: no HDMI signal
Steady on: HDMI signal is transmitting
Quick flash: restore factory settings |
| 4 Channel switch button | Press to switch channels
Press and hold 5s for SSID pairing
Press and hold 10s to restore factory settings |
| 5 Antenna connectors | Connect with antennas |
| 6 Micro USB port | Used for firmware upgrade |
| 7 HDMI input | Connect with HDMI source device with HDMI cable |
| 8 HDMI output | Connect with local HDMI display device with HDMI cable |
| 9 IR out | Connect with IR blaster extension cable |
| 10 Power input | Connect with DC 5V/2A power adapter |

Product Description

Receiver (RX)



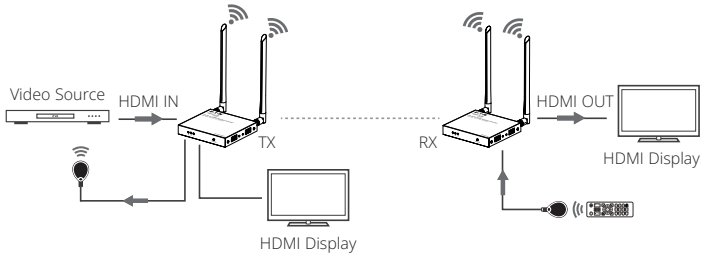
Product Description

- | | |
|--------------------------------|--|
| 1 Power indicator | Turns blue when the power is turned on |
| 2 WiFi indicator | Slow flash: waiting for connection
Steady on: connection successful
Quick flash: SSID Pairing mode |
| 3 Signal indicator | Light off: no HDMI signal
Steady on: HDMI signal is transmitting
Quick flash: restore factory settings |
| 4 Channel switch button | After connecting with TX, press to switch channels
Press and hold 5s for SSID pairing
Press and hold 10s to restore factory settings |
| 5 Antenna connectors | Connect with antennas |
| 6 Micro USB port | Used for firmware upgrade |
| 7 HDMI output | Connect with HDMI display device with HDMI cable |
| 8 IR in | Connect with IR receiver extension cable |
| 9 Power input | Connect with DC 5V/2A power adapter |

Installation

1. Connection Diagram

One to one connection



2. Connection Instructions

1. Connect the source device to the HDMI IN port of the transmitter with an HDMI cable, and connect the HDMI OUT port of the receiver to the display device with another HDMI cable.
2. If using the IR passback function, connect the IR blaster extension cable into the IR OUT port of the transmitter, and connect the IR receiver extension cable into the IR IN port of the receiver.
 - a) The emitter of the IR blaster extension cable should be as close as possible to the IR receiving window of the source device.
 - b) Point the remote control at the receiving head of the IR receiver extension cable to operate.
3. Plug the power supply into the devices.
4. In the case of multiple sets being used at the same time in the same area. In order to prevent mutual interference, switch each set of transmitters and receivers to a different channel after they have been manually paired with the SSID.

Installation

3. SSID Pairing

1. Enter the SSID pairing mode by holding the transmitter and receiver's channel switch buttons for five seconds. Both WiFi connection indicators will flash quickly in yellow.
2. When the SSID pairing is successful, the WiFi indicators on the transmitter and receiver will change from quick flashing to slow flashing or steady on.

NO.	Frequency
Channel 1	5.180 GHz
Channel 2	5.200 GHz
Channel 3	5.220 GHz
Channel 4	5.240 GHz

FAQ

Q: Why the receiver and transmitter cannot be connected, showing "Search ipcolor Tx..." on the screen?

- A:**
- 1) Move transmitter and receiver closer.
 - 2) Re-power the transmitter or receiver.
 - 3) Re-pair the transmitter and receiver.

Q: Why is the Wi-Fi indicator steady on, but showing "Please check the TX input signal"?

- A:**
- 1) Make sure the TX has HDMI input and that the resolution is within the specified range.
 - 2) Try to connect the signal source directly to the display device, or change the signal source and HDMI cable and test again.

Q: Why is the display stuttering or unstable?

- A:**
- 1) Place the transmitter or receiver within the signal coverage and minimize obstructions between the transmitter and receiver.
 - 2) Switch to a different channel to avoid interference from other wireless signals.
 - 3) Re-power the receiver or transmitter.

Specifications

Power Supply	Voltage/Current	DC 5V/2A
	Power consumption	TX ≤ 6W, RX ≤ 4W
HDMI Performance and Interface	HDMI version	HDMI 2.0
	HDCP version	HDCP 1.4/HDCP 2.2
	Maximum transfer rate	18 Gbps
	Resolution supported	3840x2160@24/30/50/60 Hz, 1080p@50/60 Hz, 720P@50/60 Hz, 1920x1200, 2560x1440, 2560x1600
	Input and output TMDS signal	0.7~1.2Vp-p(TMDS)
	Input and output DDC signal	5Vp-p(TTL)
Transmission	Wi-Fi Frequency bands	5.18~5.24 GHz
	Transmission distance	≤ 50m
	Latency	130~180ms
	Connection types	One-to-one
	SSID pairing	Supported
Protection Level	ESD protection	1a Contact discharge level 3 1b Air discharge level 3 Standard: IEC61000-4-2
IR Performance	Infrared frequency	20~60 kHz
	Receiving range	≤ 5m

Specifications

Operating Environment	Operating temperature	-4~140°F (-20~60°C)
	Storage temperature	-22~158°F (-30~70°C)
	Humidity (non-condensing)	0~90% RH
Physical Properties	Dimensions [W x L x H]	TX / RX: 4.5 x 5 x 0.8 in. (115 x 125 x 20.6 mm)
	Color	Black
	Material	Iron
	Net weight	TX: 0.78 lb. (353 g) RX: 0.76 lb. (346 g)

Warranty and Product Registration

1-Year Limited Warranty

We warrant our products to be free from defects in materials and workmanship for a period of one (1) year from the date of initial purchase. Our obligation under this warranty is limited to repairing or replacing (at its sole option) any such defective products. Visit **[Tripplite.Eaton.com/support/product-returns](https://www.tripplite.com/support/product-returns)** before sending any equipment back for repair. This warranty does not apply to equipment which has been damaged by accident, negligence or misapplication or has been altered or modified in any way.

EXCEPT AS PROVIDED HEREIN, WE MAKE NO WARRANTIES, EXPRESS OR IMPLIED, INCLUDING WARRANTIES OF MERCHANTABILITY AND FITNESS FOR A PARTICULAR PURPOSE. Some states do not permit limitation or exclusion of implied warranties; therefore, the aforesaid limitation(s) or exclusion(s) may not apply to the purchaser.

EXCEPT AS PROVIDED ABOVE, IN NO EVENT WILL WE BE LIABLE FOR DIRECT, INDIRECT, SPECIAL, INCIDENTAL OR CONSEQUENTIAL DAMAGES ARISING OUT OF THE USE OF THIS PRODUCT, EVEN IF ADVISED OF THE POSSIBILITY OF SUCH DAMAGE. Specifically, we are not liable for any costs, such as lost profits or revenue, loss of equipment, loss of use of equipment, loss of software, loss of data, costs of substitutes, claims by third parties, or otherwise.

Product Registration

Visit [Tripplite.Eaton.com/warranty](https://www.tripplite.com/warranty) today to register your new product. You'll be automatically entered into a drawing for a chance to win a FREE Eaton Tripp Lite series product!*

* No purchase necessary. Void where prohibited. Some restrictions apply. See website for details.

Regulatory Compliance Identification Numbers

For the purpose of regulatory compliance certifications and identification, your product has been assigned a unique series number. The series number can be found on the product nameplate label, along with all required approval markings and information. When requesting compliance information for this product, always refer to the series number. The series number should not be confused with the marking name or model number of the product.

Warranty and Product Registration

WEEE Compliance Information for Customers and Recyclers (European Union)

Under the Waste Electrical and Electronic Equipment (WEEE) Directive and implementing regulations, when customers buy new electrical and electronic equipment from Eaton, they are entitled to:



- Send old equipment for recycling on a one-for-one, like-for-like basis (this varies depending on the country)
- Send the new equipment back for recycling when this ultimately becomes waste

Eaton has a policy of continuous improvement. Specifications are subject to change without notice.



Eaton
1000 Eaton Boulevard
Cleveland, OH 44122
United States
Eaton.com

© 2023 Eaton
All Rights Reserved
Publication No. 23-10-176 /
93-4991_revA
December 2023

Eaton is a registered
trademark.

All trademarks are property
of their respective owners.