

# Assembly Guide

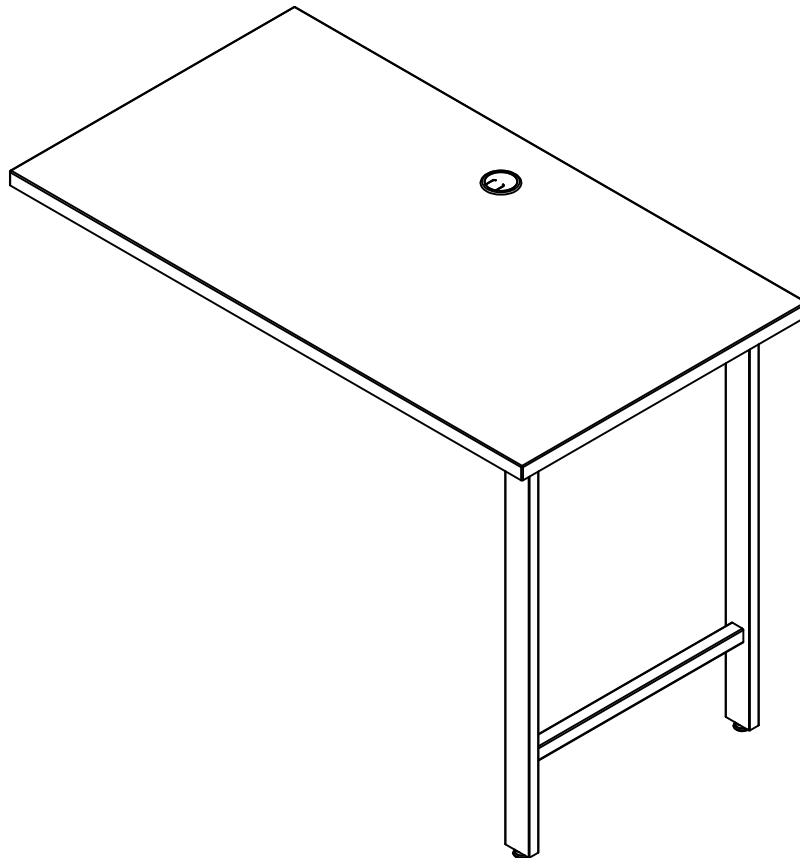


If you're having any difficulty during assembly of this product, don't hesitate to call us at **1-800-950-4782.**

Our customer service experts are trained to provide step-by-step instruction and can easily replace any missing or damaged parts.

**Representatives are available Monday-Friday from 8:30 a.m. to 7:30 p.m. (ET)**

## 42W x 24D Return / Bridge



Lot Code #

Instruction Sheet Number A217847

Keep manual for future reference.

## For best results, keep these tips in mind:

- ① We know you want to finish this assembly as quickly as possible, but trust us: you'll have a better experience if you take it one step at a time.
- ② Give yourself some room to work near where you want the fully assembled product.
- ③ If your floor isn't carpeted, assemble this product on the empty carton to avoid scratching.
- ④ Do you have a friend who owes you a favor? Some steps may go a little easier with a second set of hands.

### DOs

- ✔ Use a #2 Phillips head screwdriver (or other handheld tools as indicated)
- ✔ Wear safety glasses at all times during assembly
- ✔ Carefully follow the instructions in this guide and complete all steps in order
- ✔ Give us a call if you're having trouble with a particularly tricky step

### DON'Ts

- ✘ We know power tools are quick and easy, but you shouldn't use them when assembling this product (unless otherwise specified)
- ✘ Never move your furniture with items inside or resting on the surface
- ✘ Do not attempt to use this product before all steps have been completed

## Watch assembly videos right on your phone or computer!



Some steps include QR codes that link to helpful videos. Watch out for the icon below! Simply open up your smartphone camera to scan the code.

*(Users of older smartphones may need to install a QR Reader.)*

**SCAN HERE**



**FOR VIDEOS**

Or visit <https://bushfurniture.com/help-faq/#assembling>



# IMPORTANT SAFETY INFORMATION



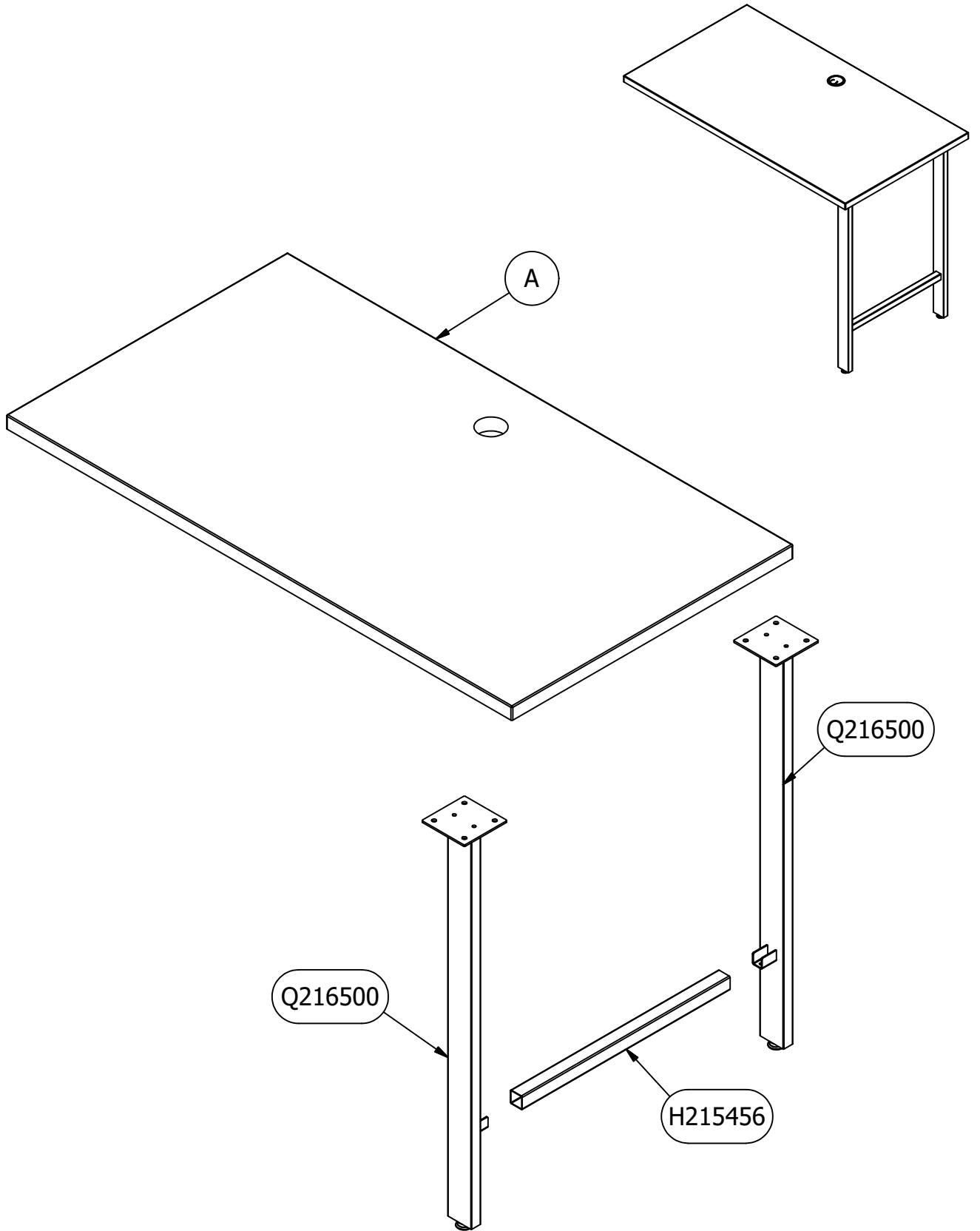
## PLEASE READ WARNINGS

Improper use can cause safety hazards, or damage to your furniture and household items.

Warning	Do	Don't	Why it's important
<b>Serious injury may occur.</b>	<ul style="list-style-type: none"><li>Assemble following all instructions using all indicated parts and hardware provided.</li></ul>	<ul style="list-style-type: none"><li>Do not move unit when loaded.</li><li>Do not load with a television or other heavy equipment.</li><li>Do not exceed the maximum load limits stated in the instructions.</li></ul>	Improper assembly, use or loading can lead to product instability, tipover, or collapse.

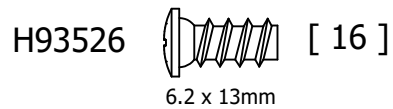
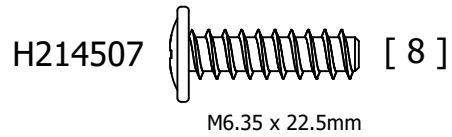
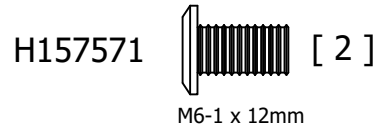
Advertencia	Hacer	No	Por qué es importante
<b>Pueden producirse lesiones graves.</b>	<ul style="list-style-type: none"><li>Realice el montaje siguiendo todas las instrucciones y utilizando todas las piezas indicadas y los herrajes suministrados.</li></ul>	<ul style="list-style-type: none"><li>No mueva la unidad cuando esté cargada.</li><li>No cargue el mueble con un televisor u otro equipo pesado.</li><li>No supere los límites máximos de carga indicados en las instrucciones.</li></ul>	El montaje, uso o carga inadecuados pueden provocar inestabilidad, vuelco o colapso del producto.

Avertissement	À faire	À ne pas faire	Pourquoi c'est important
<b>Peut entraîner des blessures graves.</b>	<ul style="list-style-type: none"><li>Assembler en suivant toutes les instructions et en utilisant toutes les pièces et la quincaillerie incluses.</li></ul>	<ul style="list-style-type: none"><li>Ne pas déplacer le meuble lorsqu'il est chargé.</li><li>Ne pas charger le meuble avec un téléviseur ou tout autre équipement lourd.</li><li>Ne pas dépasser les limites de poids maximales indiquées dans les instructions.</li></ul>	Un assemblage, une utilisation ou un chargement incorrects peuvent entraîner l'instabilité, le basculement ou l'effondrement du produit.



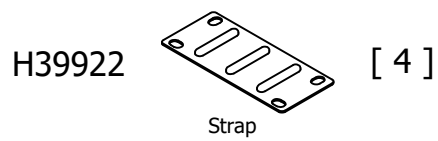
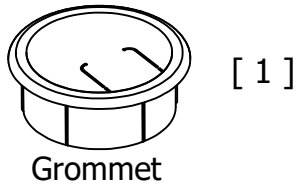
Have an assembly question or need a replacement part? Just call  
**1-800-950-4782**, we are here to help.

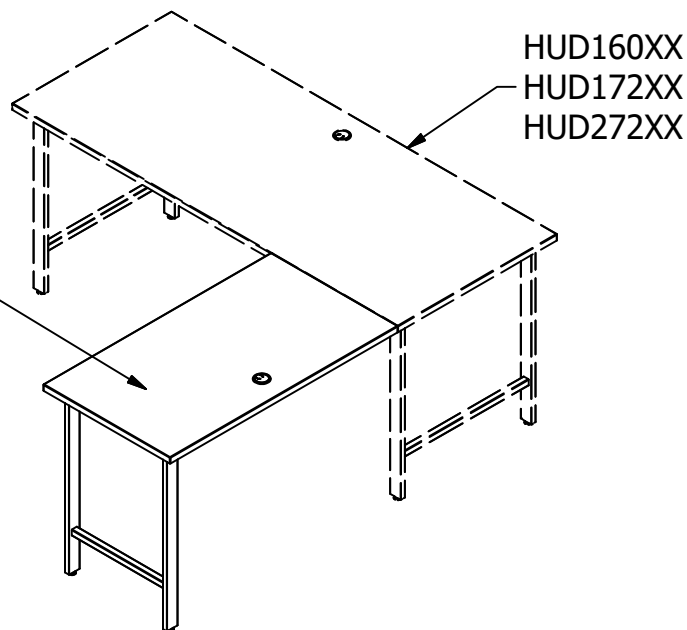
Fasteners are shown actual size.



Have an assembly question or need a replacement part? Just call  
**1-800-950-4782**, we are here to help.

Hardware not to scale.

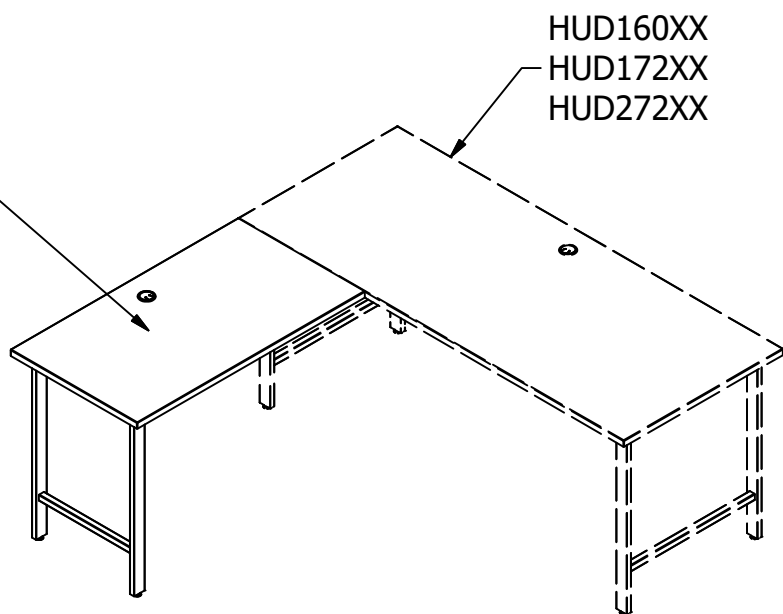




Go to Step 2.  
Proceda al paso 2.  
Allez à l'étape 2.

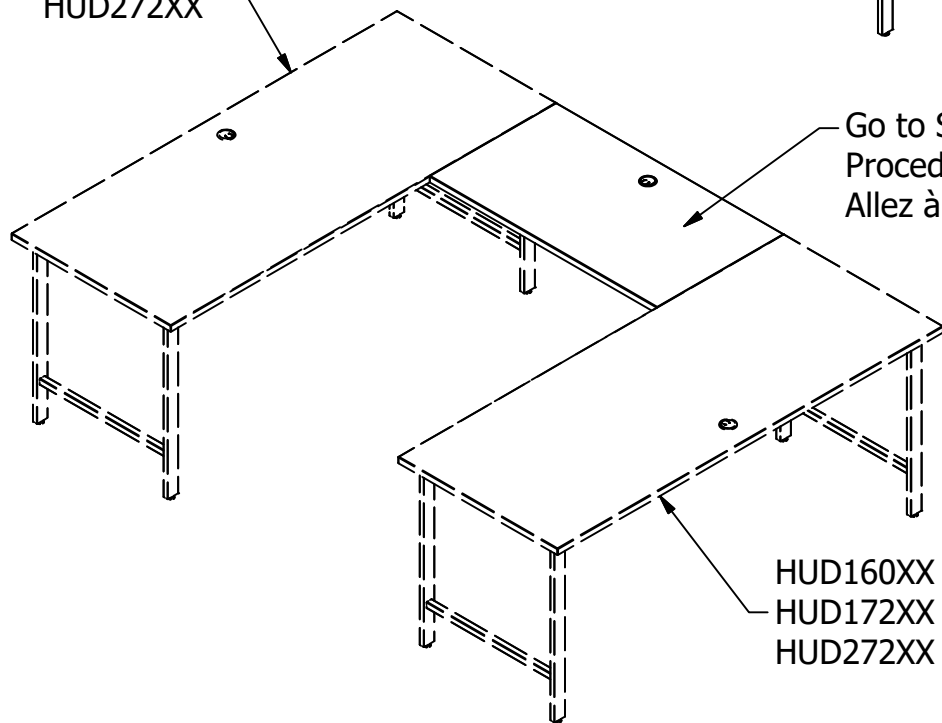
HUD160XX  
HUD172XX  
HUD272XX

Go to Step 6.  
Proceda al paso 6.  
Allez à l'étape 6.



HUD160XX  
HUD172XX  
HUD272XX

HUD160XX  
HUD172XX  
HUD272XX



Go to Step 9.  
Proceda al paso 9.  
Allez à l'étape 9.

HUD160XX  
HUD172XX  
HUD272XX

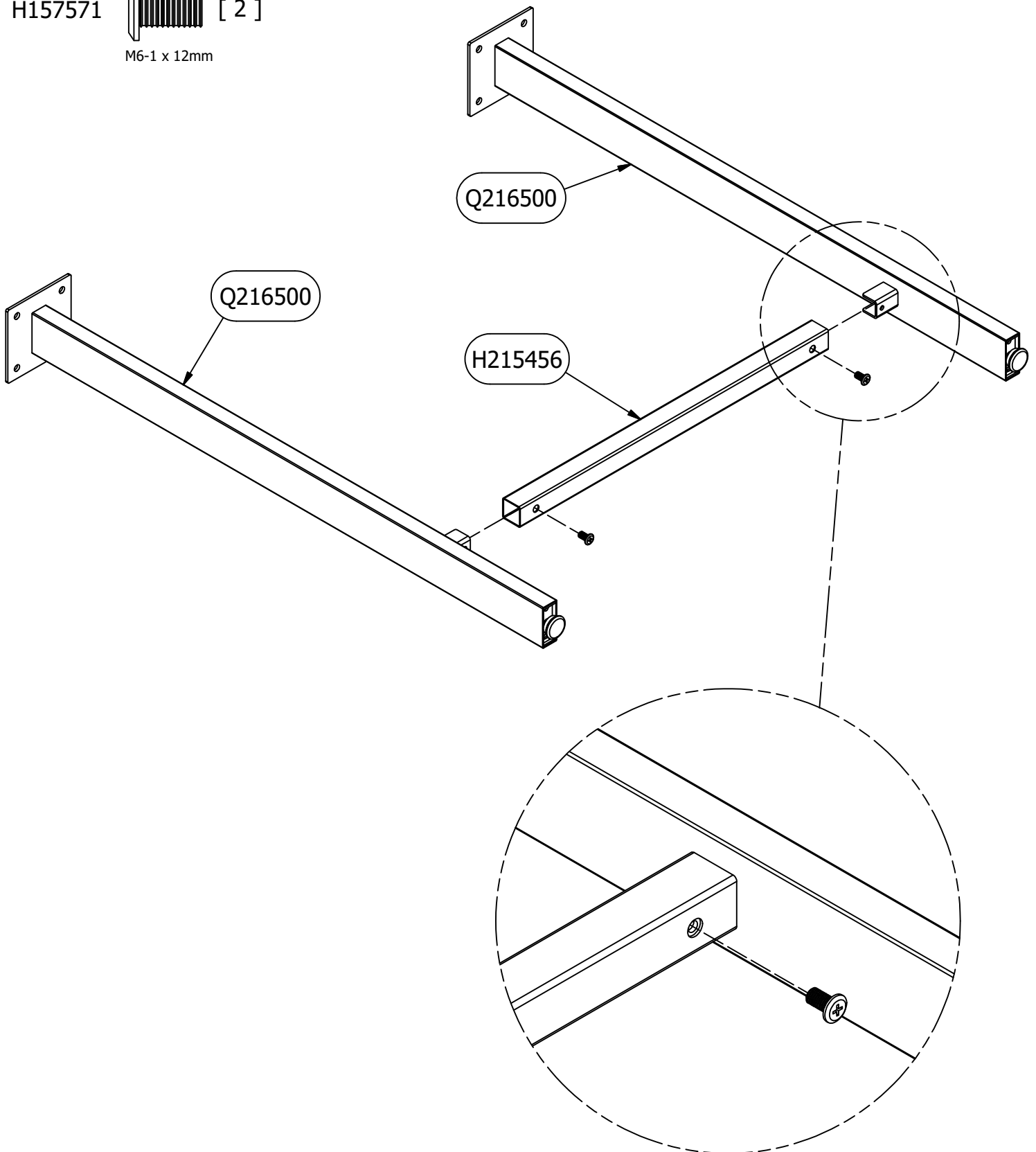
Have an assembly question or need a replacement part? Just call  
**1-800-950-4782**, we are here to help.

# STEP 2

## Prepare Legs

A217847

H157571 [ 2 ]  
M6-1 x 12mm



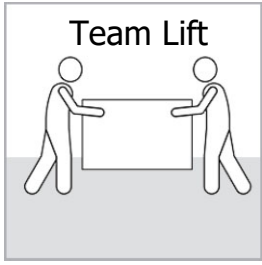
Have an assembly question or need a replacement part? Just call  
**1-800-950-4782**, we are here to help.



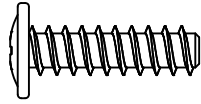
# STEP 3

# Attach Legs

A217847

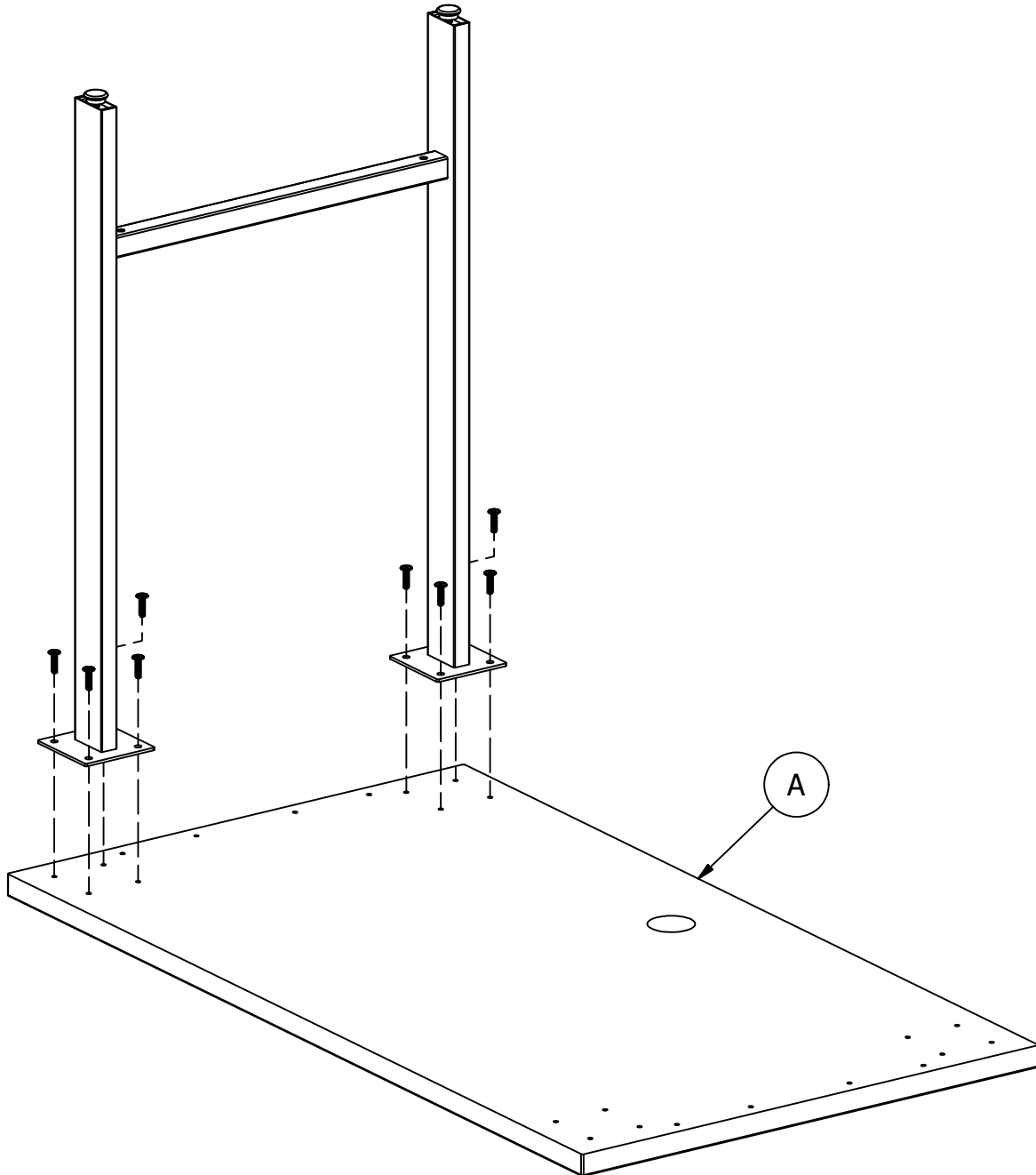


H214507



[ 8 ]

M6.35 x 22.5mm



Have an assembly question or need a replacement part? Just call  
**1-800-950-4782**, we are here to help.

# STEP 4

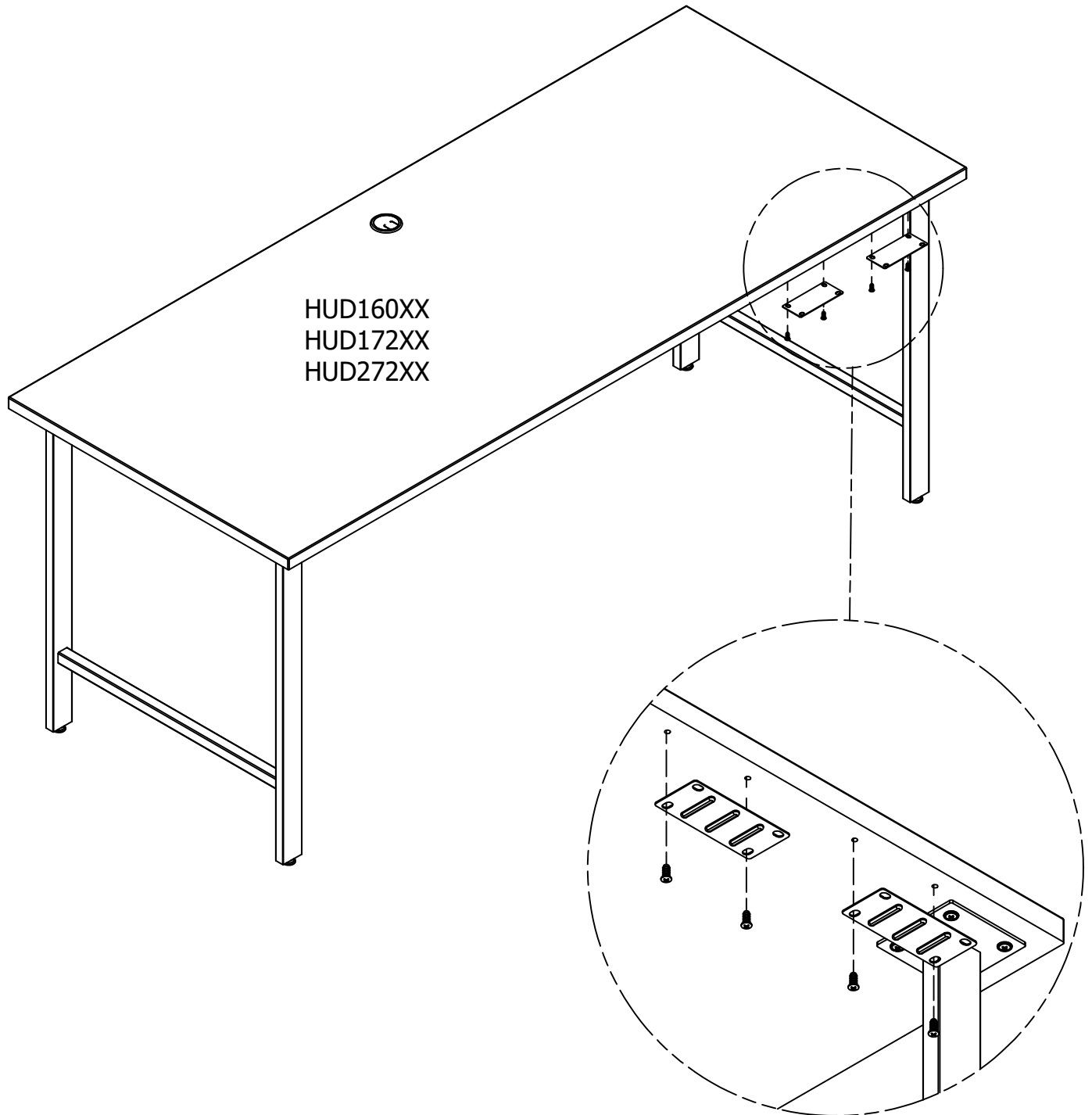
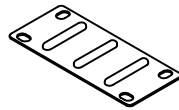
# Attach Hardware

A217847

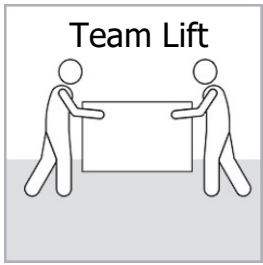
H93526 [ 4 ]  
6.2 x 13mm



H39922 [ 2 ]  
Strap

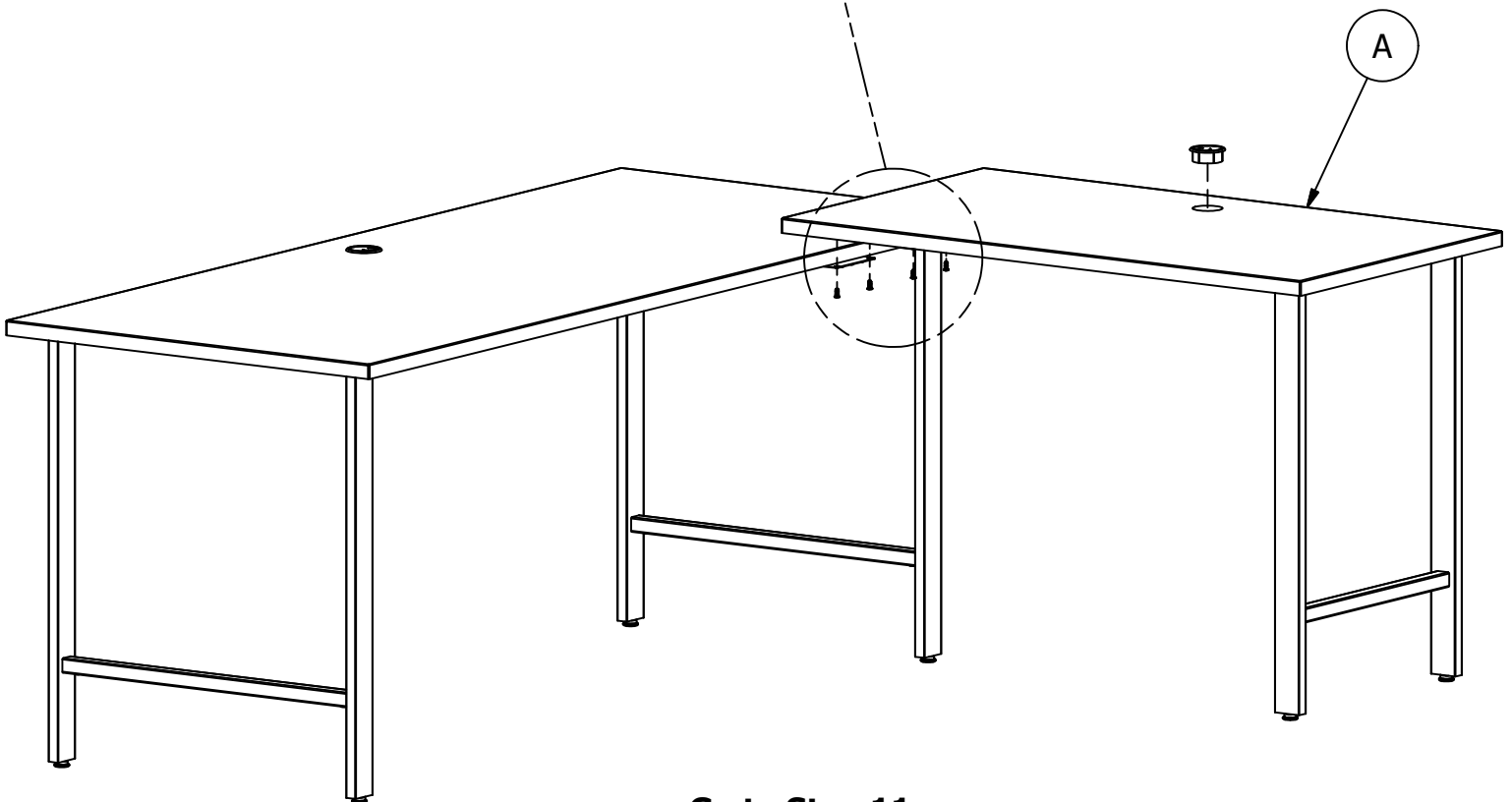
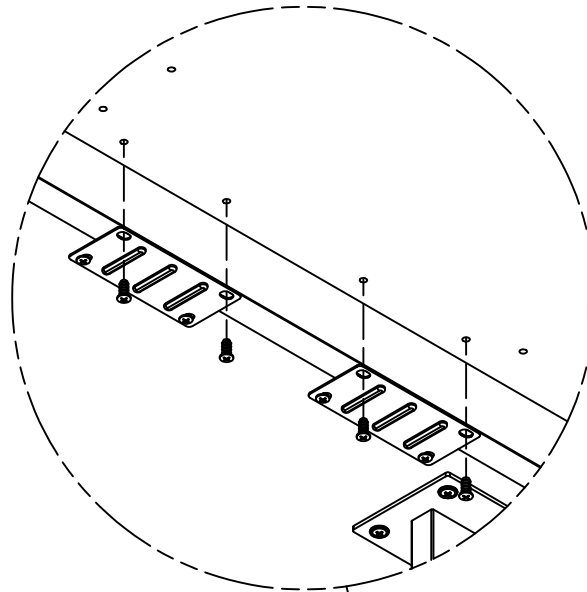


Have an assembly question or need a replacement part? Just call  
**1-800-950-4782**, we are here to help.



H93526 [ 4 ]  
6.2 x 13mm

[ 1 ]  
Grommet



**Go to Step 11.**  
**Proceda al paso 11.**  
**Allez à l'étape 11.**

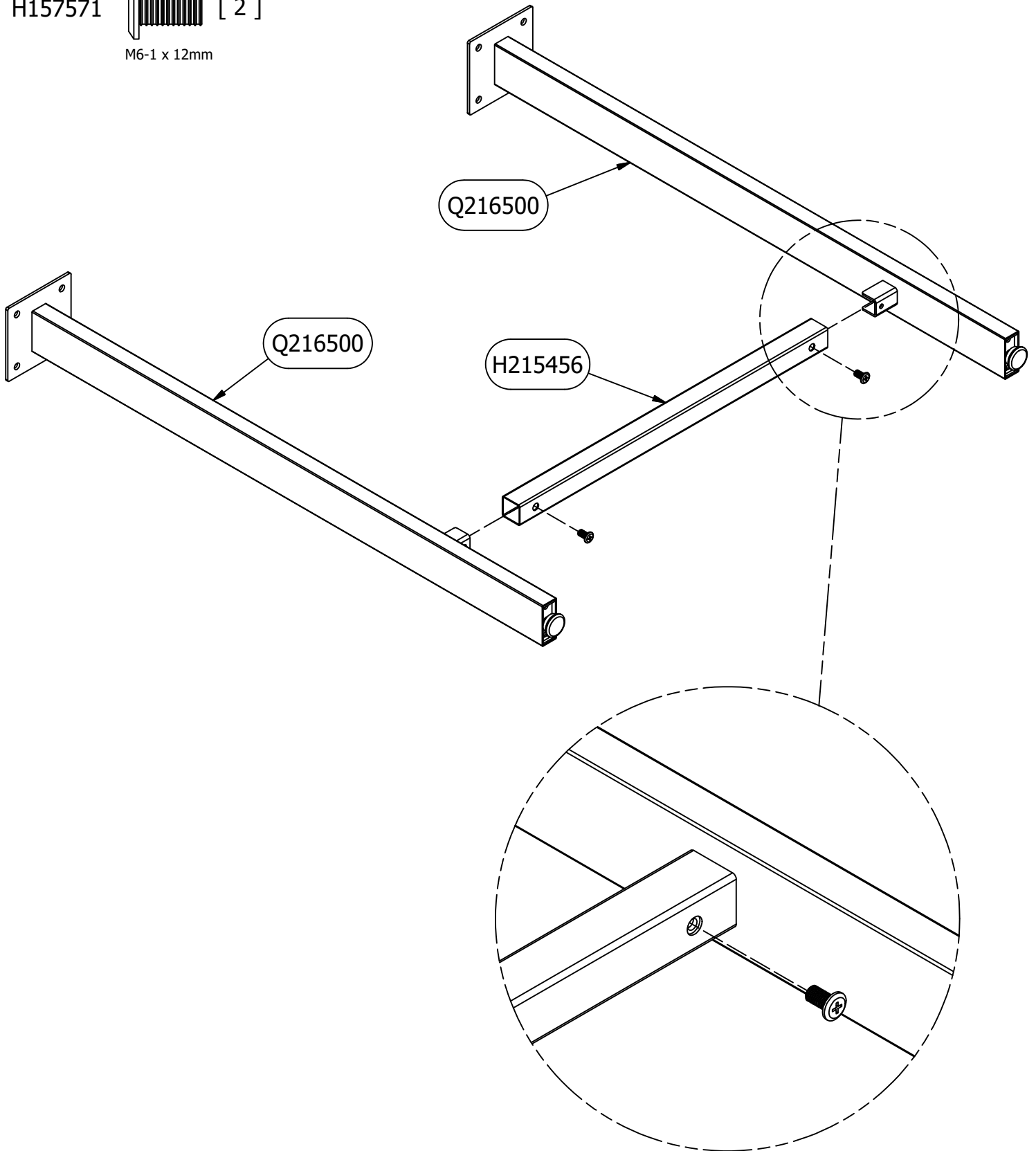
Have an assembly question or need a replacement part? Just call  
**1-800-950-4782**, we are here to help.

# STEP 6

## Prepare Legs

A217847

H157571 [ 2 ]  
M6-1 x 12mm



Have an assembly question or need a replacement part? Just call  
**1-800-950-4782**, we are here to help.

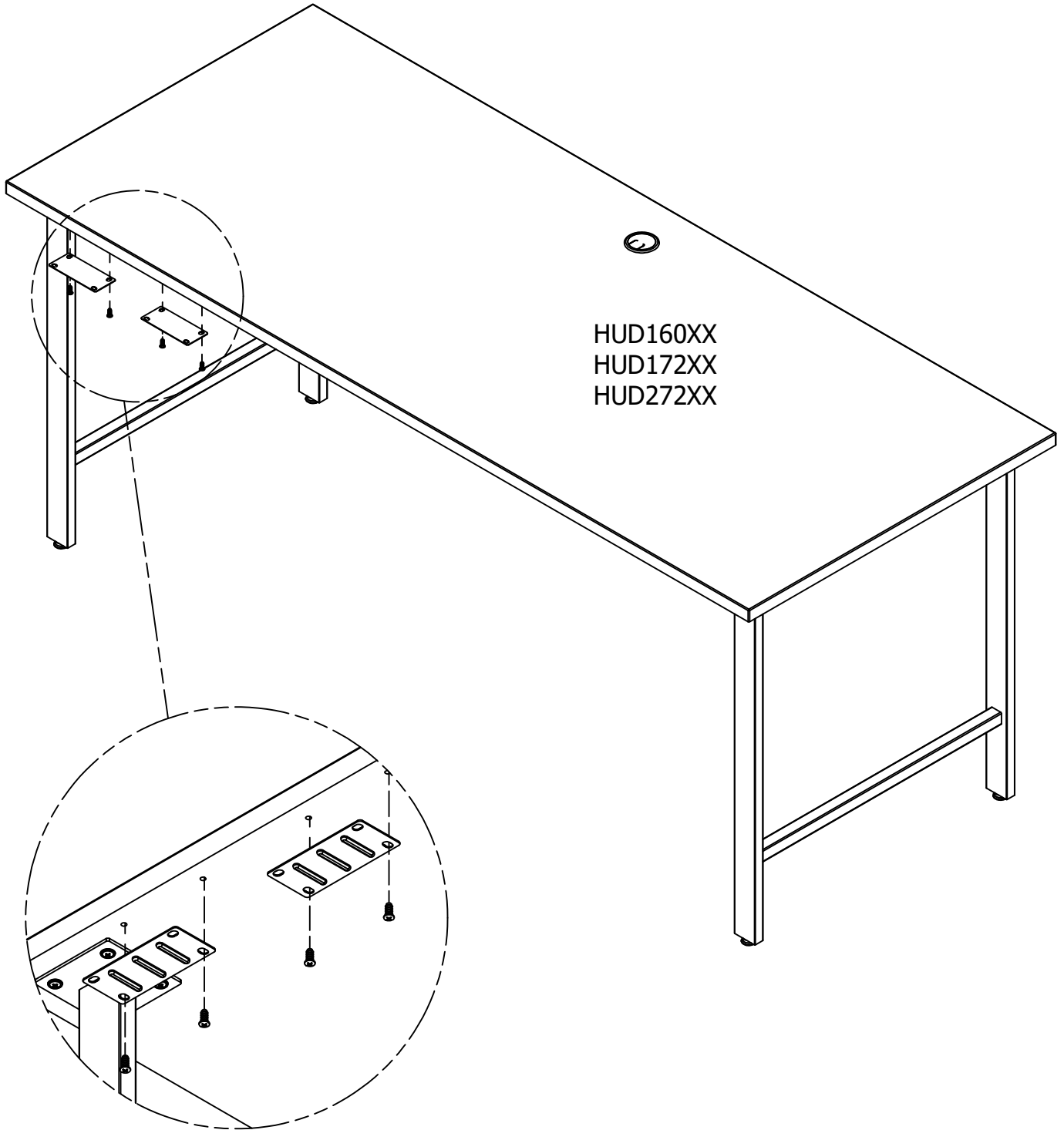
# STEP 7

# Attach Hardware

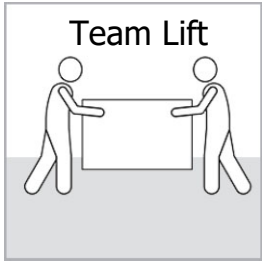
A217847

H93526 [ 4 ]  
6.2 x 13mm

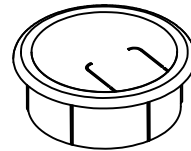
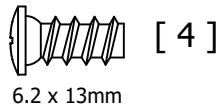
H39922 [ 2 ]  
Strap



Have an assembly question or need a replacement part? Just call  
**1-800-950-4782**, we are here to help.

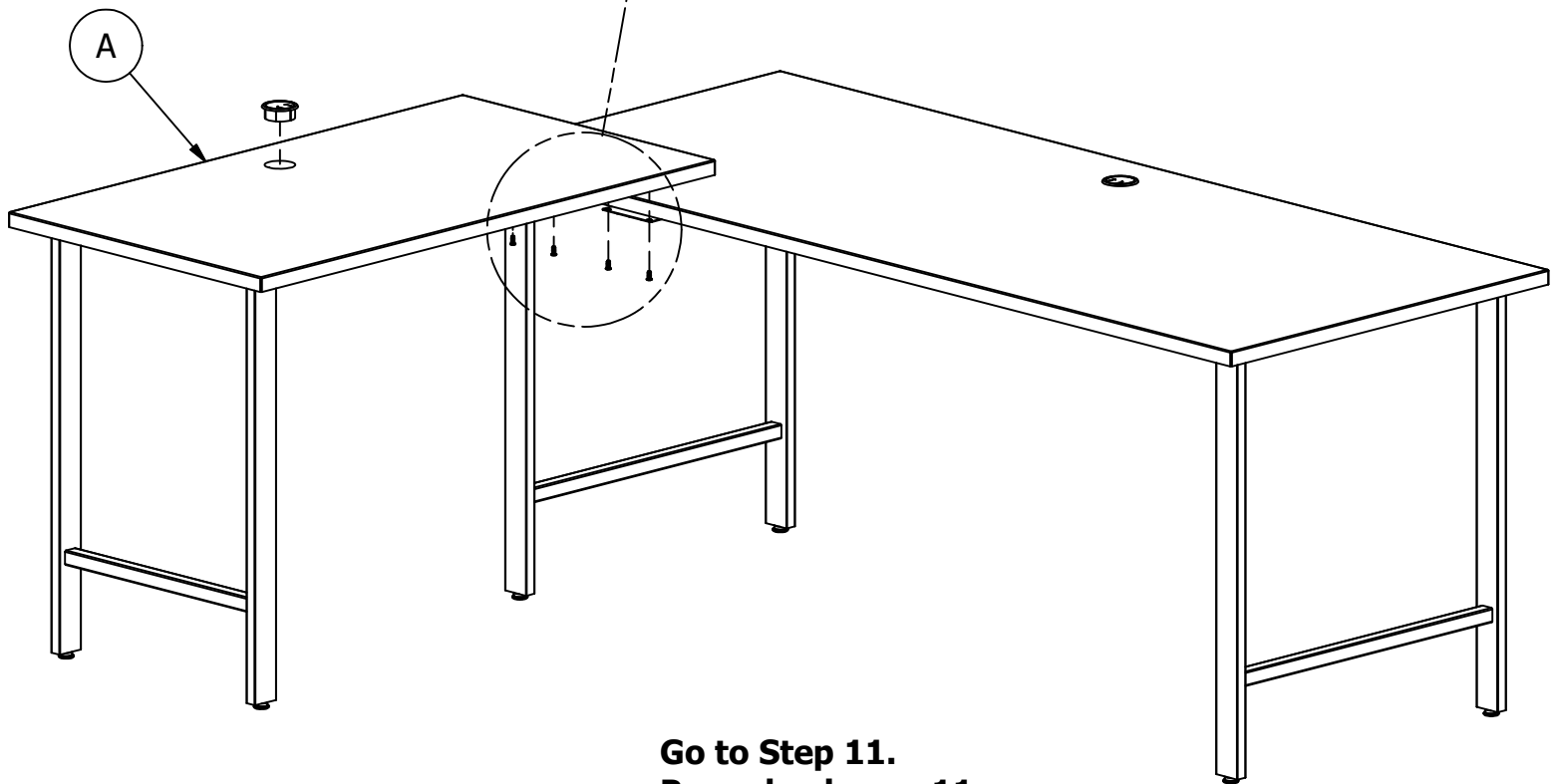
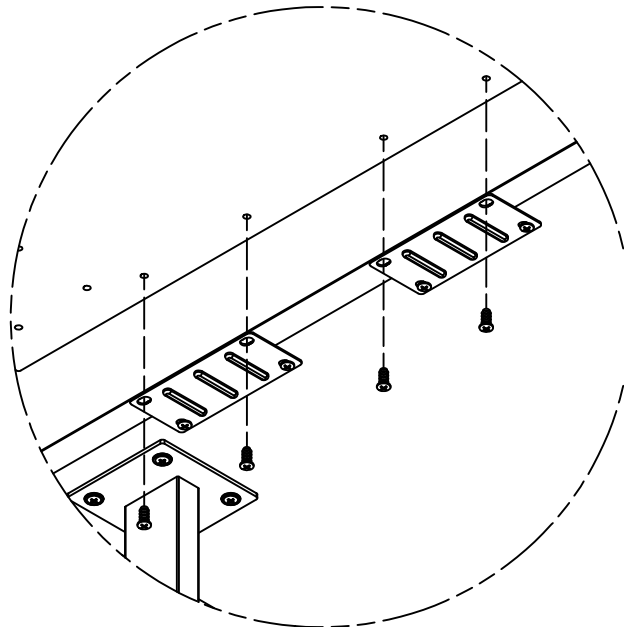


H93526



[ 1 ]

Grommet



**Go to Step 11.**  
**Proceda al paso 11.**  
**Allez à l'étape 11.**

Have an assembly question or need a replacement part? Just call  
**1-800-950-4782**, we are here to help.

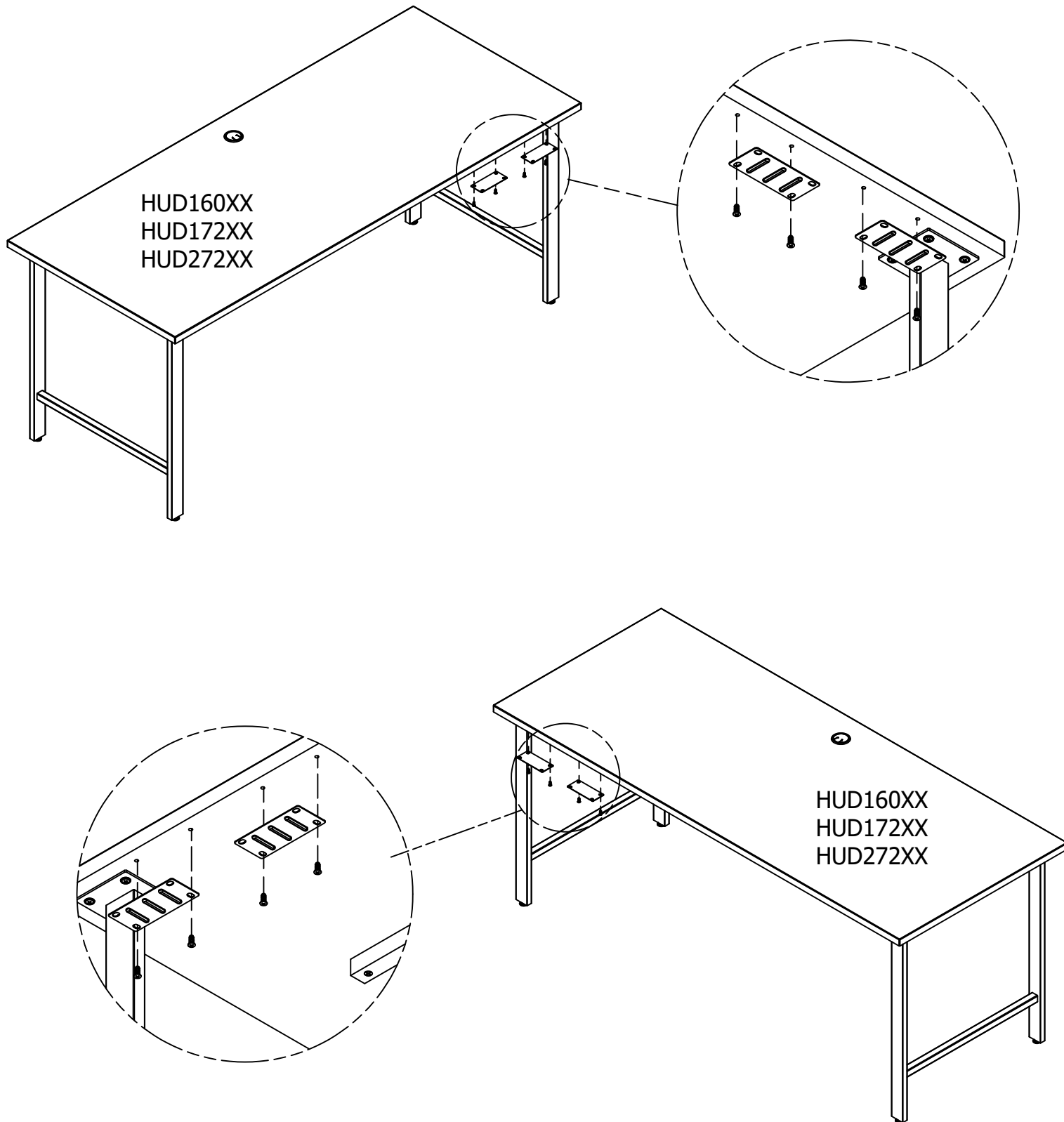
# STEP 9

# Attach Hardware

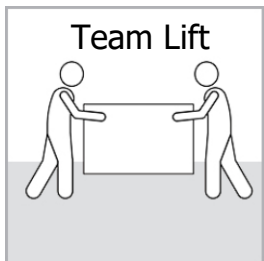
A217847

H93526 [ 8 ]  
6.2 x 13mm

H39922 [ 4 ]  
Strap



Have an assembly question or need a replacement part? Just call  
**1-800-950-4782**, we are here to help.

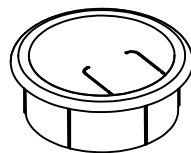


H93526



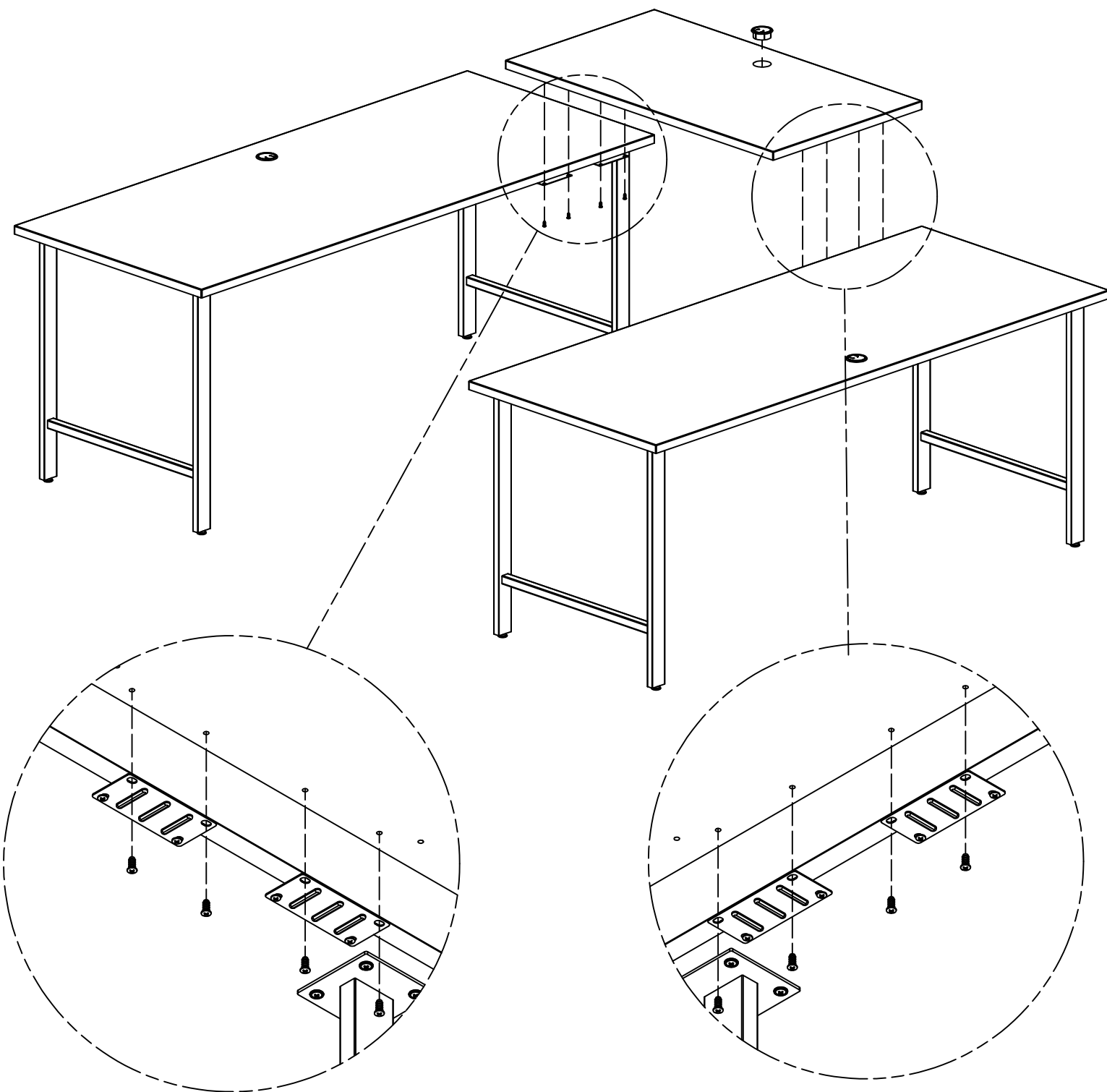
[ 8 ]

6.2 x 13mm



[ 1 ]

Grommet



Have an assembly question or need a replacement part? Just call  
**1-800-950-4782**, we are here to help.

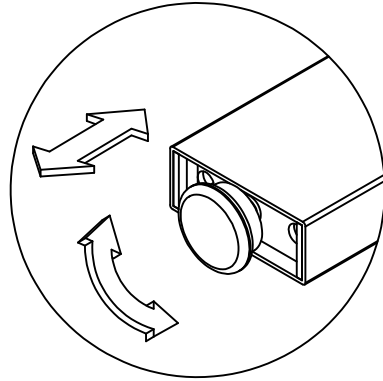


Scan QR Code to Watch Video on:

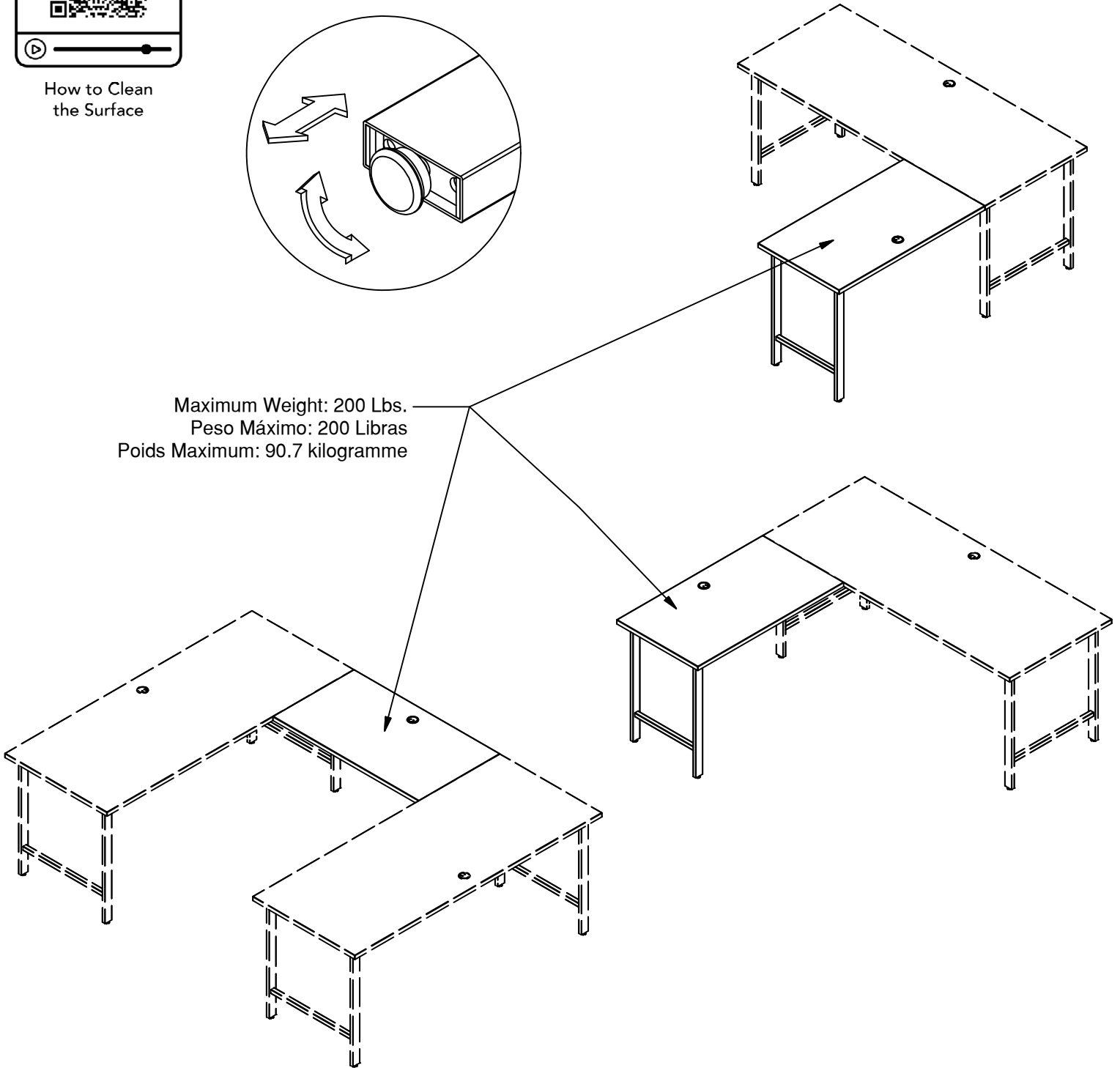


How to Clean the Surface

Gently clean surfaces with a damp sponge eraser.



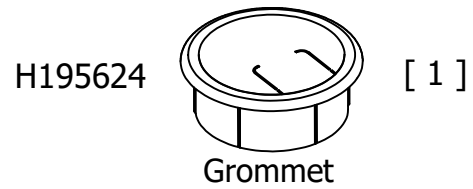
Maximum Weight: 200 Lbs.  
Peso Máximo: 200 Libras  
Poids Maximum: 90.7 kilogramme



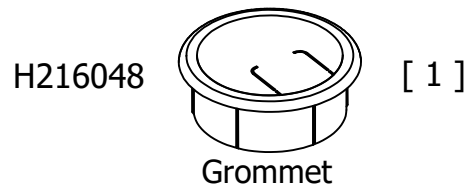
Congratulations! You are all done. If you have any questions or concerns, please call.

Have an assembly question or need a replacement part? Just call **1-800-950-4782**, we are here to help.

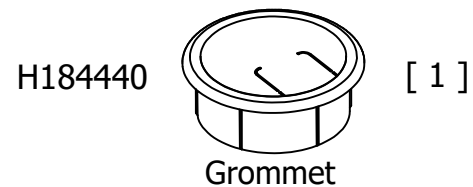
HUR142WH		
LABEL CODE	QTY	PART NUMBER
A	1	W217749
	2	Q216500
	1	H215456



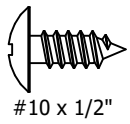
HUR142NE		
LABEL CODE	QTY	PART NUMBER
A	1	W217744
	2	Q216500
	1	H215456



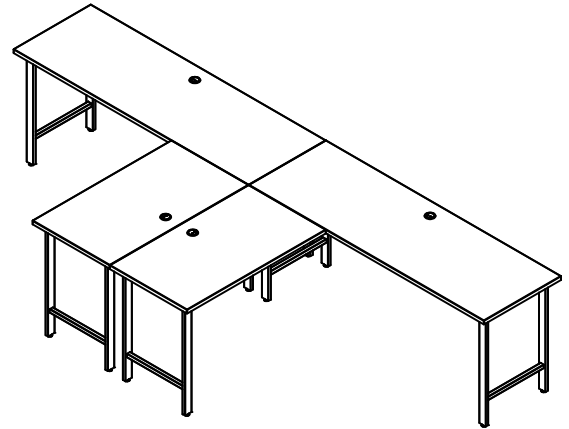
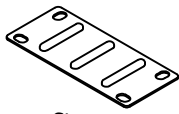
HUR142PG		
LABEL CODE	QTY	PART NUMBER
A	1	W217754
	2	Q216500
	1	H215456



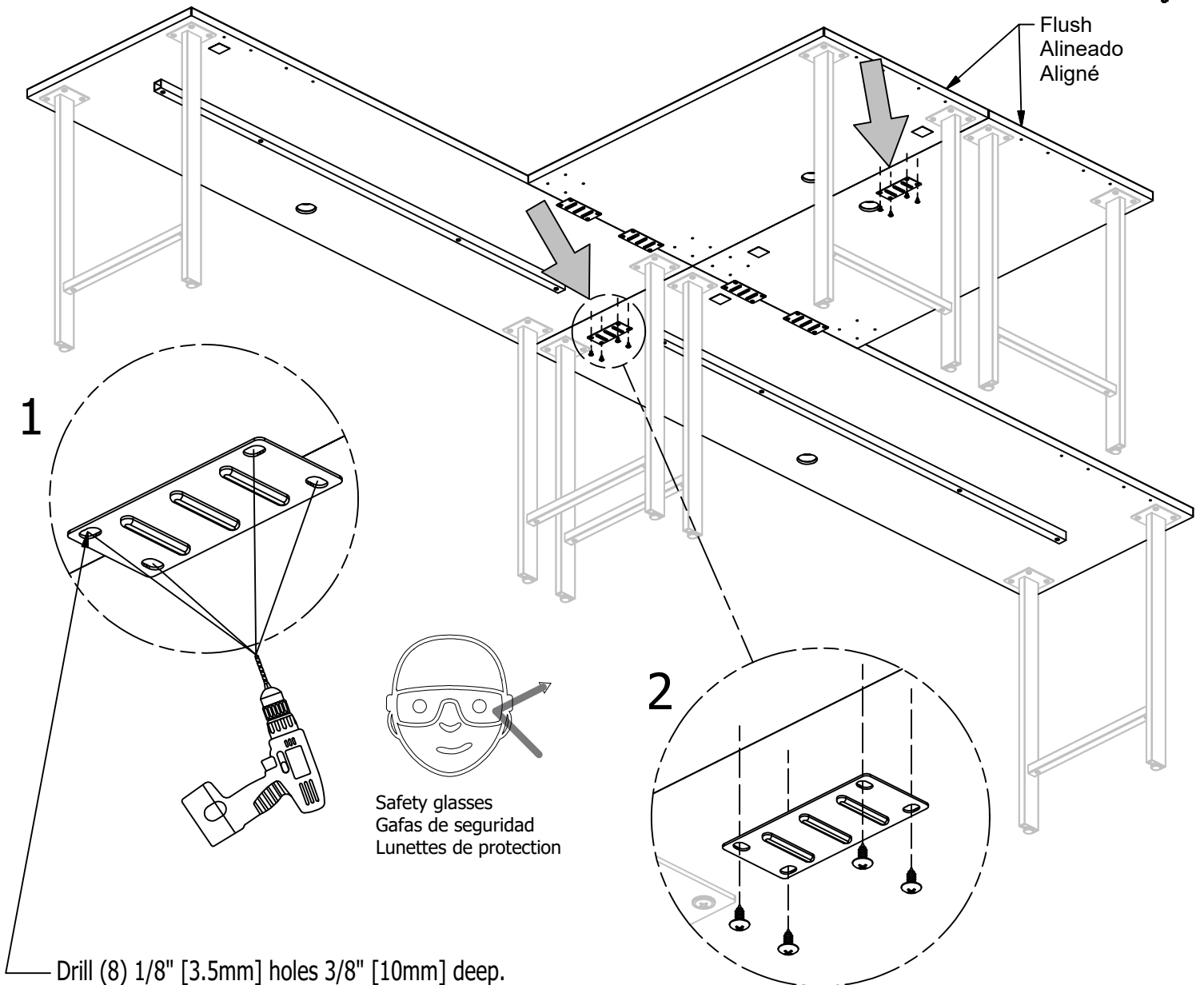
H35251 [ 8 ]  
 (Black) #10 x 1/2"



H39922 [ 2 ]  
 Strap



Attachment hardware included with desks.  
 Matériel de fixation inclus avec les bureaux.  
 Herrajes de fijación incluidos con las mesas.



Drill (8) 1/8" [3.5mm] holes 3/8" [10mm] deep.  
 Perfore (8) agujeros de 1/8" [3.5mm] a 3/8" [10mm] de profundidad.  
 Percer (8) trous de 1/8" [3.5mm] de diamètre et 3/8" [10mm] de profondeur.

Have an assembly question or need a replacement part? Just call  
**1-800-950-4782**, we are here to help.

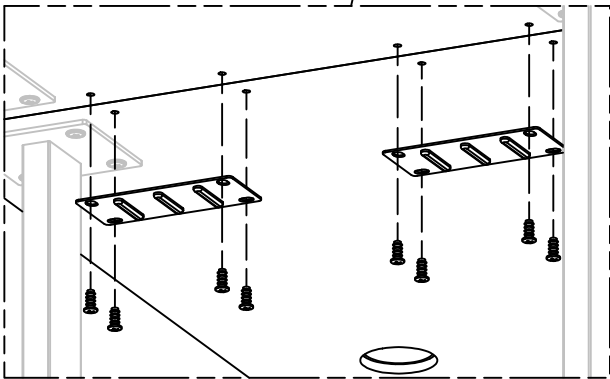
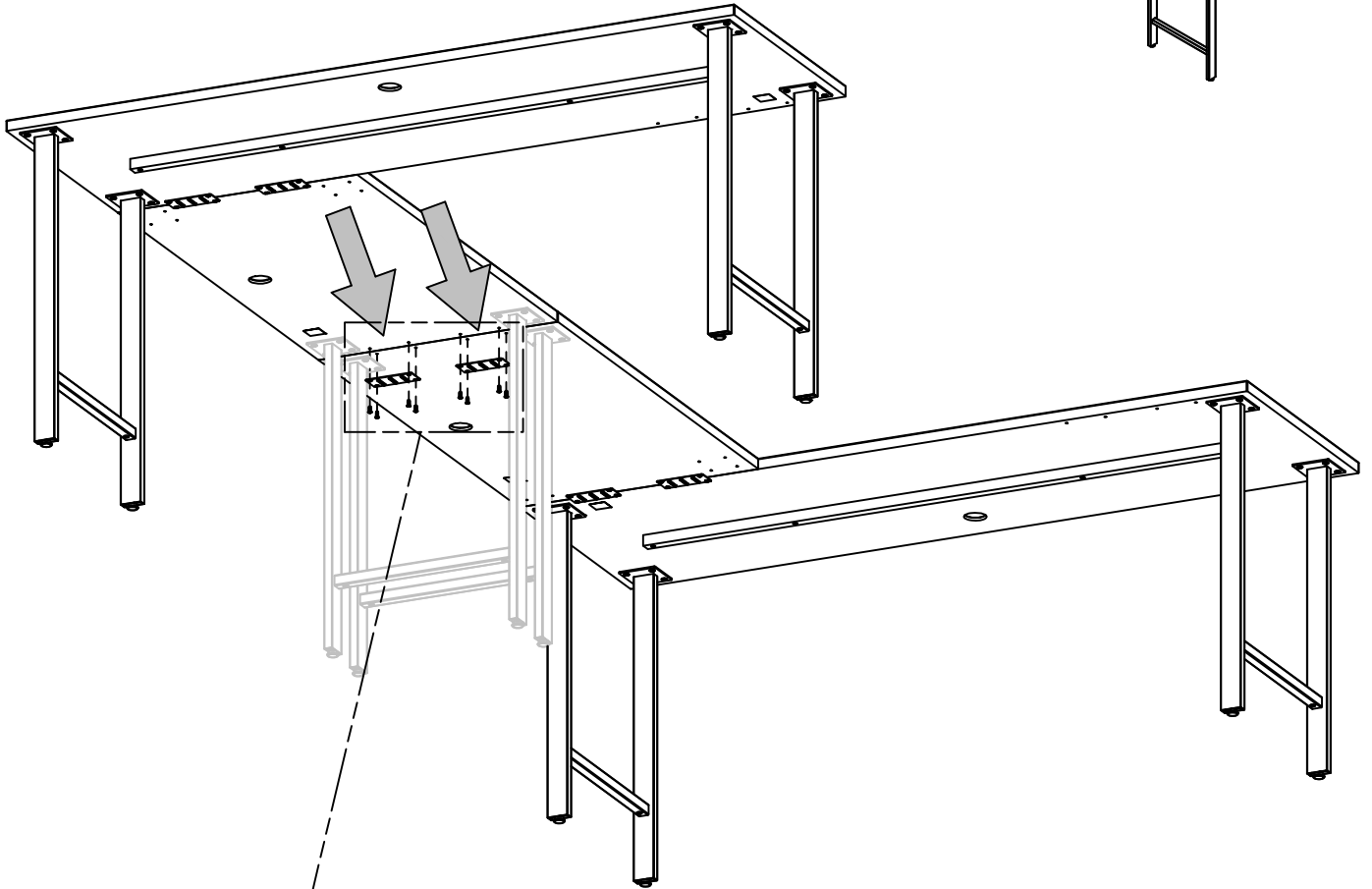
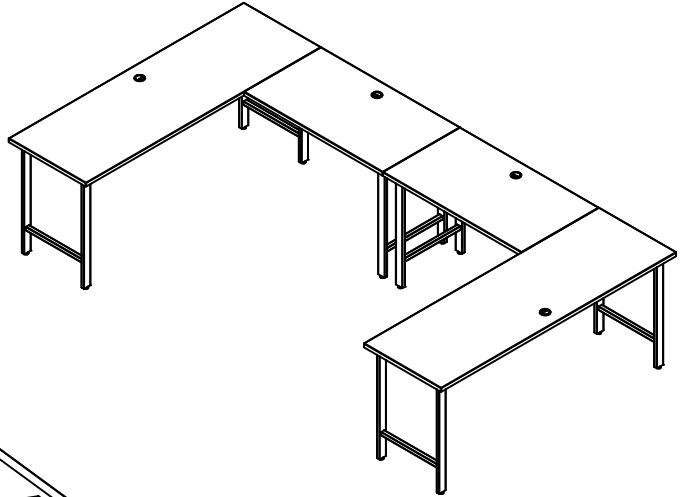
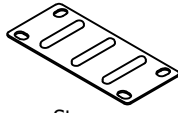
# Assembly Options

A217847

H93526 [ 8 ]  
6.2 x 13mm



H39922 [ 2 ]  
Strap



Have an assembly question or need a replacement part? Just call  
**1-800-950-4782**, we are here to help.