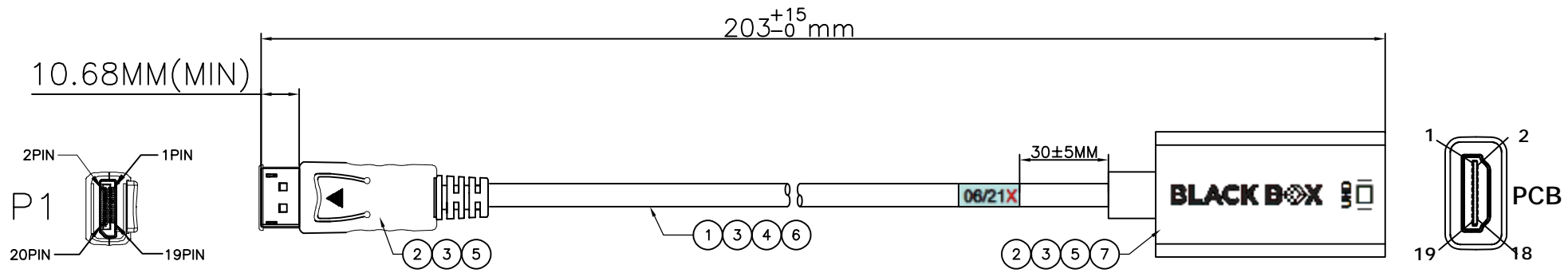


REVISIONS		
Rev	DESCRIPTION	DATE
A	INITIAL RELEASE	01/22/2024

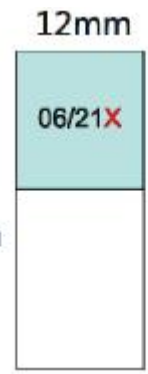


ELECTRICAL TEST :

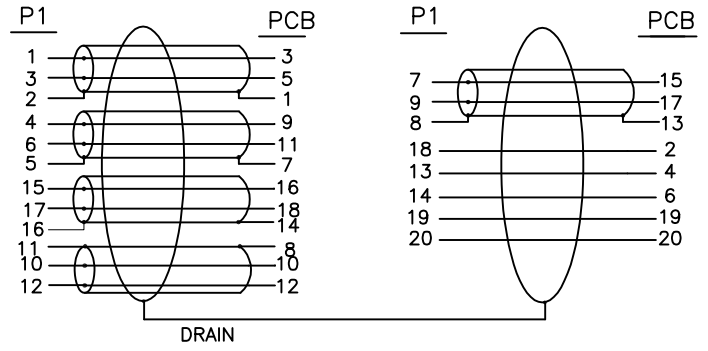
- 1.100% OPEN & SHORT & MIS WIRE TEST
- 2.CONTACT RESISTANCE: 2 OHM(MAX)
- 3.INSULATION RESISTANCE:10M OHM(MIN)
- 4.HI-POT TEST:DC 300V/10ms
- 5.100% of image Test

PRODUCT SPECIFICATIONS :

- 1.Connector Type: DisplayPort MALE TO HDMI FEMALE
- 2.Connector Plating and Material:
Display Port to HDMI Adapter HDMI Plug Nickel Plated Terminal+PCB
DisplayPort M Shell Nickel Plated Terminal Gold Plated 3U" Black Insulation
- 3.Color: Black connectors
- 4.RoHS 2.0: Yes
- 5.Resolution Supported: 4K*2K / 60Hz
- 6.Cable Specifications:
DP~UL20276~[32AWG(7/0.08TC)+EAM]*5P+32AWG(7/0.08TC)*5C+AEB(16/7/0.12AL 85%AL)OD:4.8MM~Black
- 7.Active Adapter Supports TMDS
- 8.Chip:PS176(C0) Manufacturer:Parade
- 9.Made in Vietnam



PIN Assignment



The information contained in this document is the sole property of Black Box Corporation of Pennsylvania. Any reproduction in part or whole without the written permission of Black Box Corp. is prohibited.
©Copyright 2012 Black Box Corporation of Pennsylvania d/b/a Black Box Network Services. All Rights Reserved.

UNLESS OTHERWISE SPECIFIED: DIMENSIONS ARE IN INCHES TOLERANCES: FRACTIONAL ± ANGULAR: MACH ± BEND ± TWO PLACE DECIMAL ± THREE PLACE DECIMAL ±	
INTERPRET GEOMETRIC TOLERANCING PER	
MATERIAL	CRS
FINISH	POWDER COAT
DO NOT SCALE DRAWING	

BLACK BOX			
DRAWN	NAME	DATE	TITLE
ENG APPR.	DongMT	01/22/2024	DP TO HDMI ADAPTER DP 1.2,HDMI2.0,ACTIVE,ABS HOUSING- Made in Vietnam
CHECKED			SIZE DWG. NO. REV
COMMENTS:			B VA-DP12-HDMI4K-A-R2 A
SCALE: 1:1			SHEET 1 OF 1