



Maintenance and Service Guide

Fortis x360 11 inch G5 Chromebook

SUMMARY

This guide provides maintenance information about such topics as spare parts, removal and replacement of parts, security, and backing up.

Legal information

© Copyright 2024 HP Development Company, L.P.

AMD is a trademark of Advanced Micro Devices, Inc. Bluetooth is a trademark owned by its proprietor and used by HP Inc. under license. Intel is a trademark of Intel Corporation or its subsidiaries in the U.S. and/or other countries. Chrome, Chrome OS, Chromebook, and Google Drive are trademarks of Google LLC. Windows is either registered a trademarks or trademarks of Microsoft Corporation in the United States and/or other countries. USB Type-C and USB-C are registered trademarks of USB Implementers Forum. DisplayPort™ and the DisplayPort™ logo are trademarks owned by the Video Electronics Standards Association (VESA®) in the United States and other countries. Wi-Fi is a registered trademark of Wi-Fi Alliance.

The information contained herein is subject to change without notice. The only warranties for HP products and services are set forth in the express warranty statements accompanying such products and services. Nothing herein should be construed as constituting an additional warranty. HP shall not be liable for technical or editorial errors or omissions contained herein.

First Edition: January 2024

Document Part Number: N85695-001

Product notice

This guide describes features that are common to most models. Some features may not be available on your computer.

To access the latest user guides, go to <http://www.hp.com/support>, and follow the instructions to find your product. Then select **Manuals**.

Software terms

By installing, copying, downloading, or otherwise using any software product preinstalled on this computer, you agree to be bound by the terms of the HP End User License Agreement (EULA). If you do not accept these license terms, your sole remedy is to return the entire unused product (hardware and software) within 14 days for a full refund subject to the refund policy of your seller.

For any further information or to request a full refund of the price of the computer, please contact your seller.

Safety warning notice

Reduce the possibility of heat-related injuries or of overheating the computer by following the practices described.

⚠ WARNING! To reduce the possibility of heat-related injuries or of overheating the computer, do not place the computer directly on your lap or obstruct the computer air vents. Use the computer only on a hard, flat surface. Do not allow another hard surface, such as an adjoining optional printer, or a soft surface, such as pillows or rugs or clothing, to block airflow. Also, do not allow the AC adapter to come into contact with the skin or a soft surface, such as pillows or rugs or clothing, during operation. The computer and the AC adapter comply with the user-accessible surface temperature limits defined by applicable safety standards.

Table of contents

| | |
|---|-----------|
| 1 Product description | 1 |
| 2 Components | 3 |
| Right | 3 |
| Left | 4 |
| Display | 6 |
| Keyboard area | 7 |
| Touchpad | 7 |
| Special keys | 8 |
| Bottom | 9 |
| Labels | 9 |
| 3 Illustrated parts catalog | 12 |
| Chromebook major components | 12 |
| Display assembly subcomponents | 14 |
| Miscellaneous parts | 16 |
| 4 Removal and replacement procedures preliminary requirements | 19 |
| Tools required | 19 |
| Service considerations | 19 |
| Plastic parts | 19 |
| Cables and connectors | 19 |
| Drive handling | 19 |
| Electrostatic discharge information | 20 |
| Generating static electricity | 20 |
| Preventing electrostatic damage to equipment | 21 |
| Personal grounding methods and equipment | 21 |
| Grounding the work area | 22 |
| Recommended materials and equipment | 22 |
| Cleaning your computer | 23 |
| Enabling HP Easy Clean (select products only) | 23 |
| Removing dirt and debris from your computer | 23 |
| Cleaning your computer with a disinfectant | 24 |
| Caring for wood veneer (select products only) | 25 |
| Packaging and transporting guidelines | 25 |
| Accessing support information | 26 |
| 5 Removal and replacement procedures for authorized service provider parts | 28 |
| Component replacement procedures | 28 |
| Preparation for disassembly | 28 |

| | |
|--|-----------|
| Bottom cover | 28 |
| Battery | 29 |
| Touchpad | 31 |
| WLAN module | 33 |
| WWAN module | 34 |
| USB board | 35 |
| Second camera module | 37 |
| Pen charger | 38 |
| Heat sink | 39 |
| System board | 40 |
| Speakers | 43 |
| Lock bracket | 44 |
| Display assembly | 45 |
| Top cover with keyboard | 51 |
| 6 Backing up, resetting, and recovering | 53 |
| Backing up | 53 |
| Resetting | 53 |
| Recovering | 53 |
| Option 1: Recovering using an internet connection | 54 |
| Option 2: Installing the Chromebook Recovery Utility | 54 |
| Creating recovery media | 54 |
| Recovering the Chrome operating system with recovery media | 55 |
| Setting up your computer after a reset or recovery | 55 |
| Erasing and reformatting the recovery media | 55 |
| 7 Statement of memory volatility | 57 |
| Current BIOS steps | 57 |
| Nonvolatile memory usage | 59 |
| Questions and answers | 59 |
| Using HP Sure Start (select products only) | 61 |
| 8 Specifications | 62 |
| Computer specifications | 62 |
| 29.5 cm (11.6 in) display specifications | 63 |
| 9 Power cord set requirements | 64 |
| Requirements for all countries | 64 |
| Requirements for specific countries and regions | 64 |
| 10 Recycling | 66 |
| Index | 67 |

1 Product description

This table provides detailed product information.

Table 1-1 Product components and their descriptions

| Category | Description |
|------------------------|--|
| Product Name | Fortis x360 11 inch G5 Chromebook™ |
| Processors | Intel® N200 (up to 3.7 GHz with Intel Turbo Boost Technology, 6 MB Intel Smart Cache, 4 cores, 6 W) Intel N100 (up to 3.4 GHz with Intel Turbo Boost Technology, 6 MB Intel Smart Cache, 4 cores, 6 W) |
| Graphics | Internal graphics Intel UHD Graphics |
| Display panel | 11.6 in (29.5 cm) (Gorilla Glass 3) HD (1366 × 768), ultrawide viewing angle (UWVA), 50% NTSC, BrightView, touch screen, 250 nits |
| Memory | Supports the following configurations: <ul style="list-style-type: none">• 16 GB, LPDDR5-6400• 8 GB, LPDDR5-6400• 4 GB, LPDDR5-6400 |
| Primary storage | Embedded MultiMedia Controller (eMMC) 5.0 64 GB 32 GB Universal Flash Storage (UFS) 2.1 128 GB |
| Audio | Dual speakers Waves Maxx Audio |
| Video | 8 MP camera (single microphone, MIPI-RAW) HD camera (dual array microphone, narrow field of view [NFOV]) |
| Wireless | Wireless Wide Area Network (WWAN) (select products only) Qualcomm Snapdragon X12 LTE-Advanced (CAT 6) Wireless Local Area Network (WLAN) Intel AX211 Wi-Fi® 6E + Bluetooth® 5.3 MediaTek MT7921 Wi-Fi 6 + Bluetooth 5.3 <ul style="list-style-type: none">• Supports HP Extended Range WLAN• Supports MU-MIMO |
| Ports | USB 3.1 Gen 1 Type-C® (2) USB 3.1 Gen 1 Type-A (2) |

Table 1-1 Product components and their descriptions (continued)

| Category | Description |
|----------------------------------|---|
| | HDMI 1.4 |
| | Audio-out (headphone)/audio-in (microphone) combo jack |
| Keyboard/pointing devices | Keyboard with clickpad |
| | Island style, spill resistant |
| | Pen cradle (select products only) |
| Power requirements | Battery |
| | 47 Whr, 2 cell |
| | Long life, fast charge |
| | Smart AC adapter (USB Type-C) |
| | 45 W, nPFC, straight |
| | Power cord |
| | C5, conventional, power cord with sticker, 1.0 m (3.3 ft), HF |
| | C5, 1.0 m (3.3 ft) |
| Security | Titan C security chip |
| | Nano lock slot |
| | Camera privacy door |
| Operating system | Google Chrome™ |
| | Google Chrome with Chrome Education Upgrade |
| | Google Chrome with Chrome Enterprise Upgrade |
| Serviceability | End user replaceable parts |
| | AC adapter |

2 Components

Your computer features top-rated components. This chapter provides details about your components, where they are located, and how they work.

Right

Use the illustration and table to identify the components on the right side of the computer.

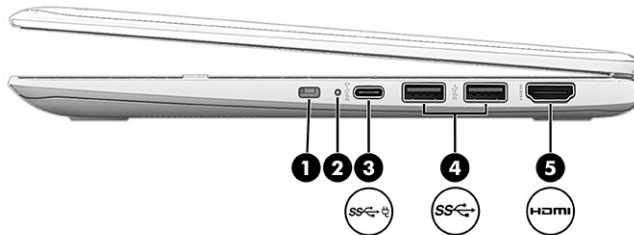


Table 2-1 Right-side components and their descriptions




| | Component | Description |
|-----|--|--|
| (1) | Security cable slot | Attaches an optional security cable to the computer. NOTE: The security cable is designed to act as a deterrent, but it might not prevent the computer from being mishandled or stolen. |
| (2) | Battery light | <ul style="list-style-type: none"> White: The AC adapter is connected and the battery is fully charged. Amber: The AC adapter is connected and the battery is charging. Off: The AC adapter is not connected. |
| (3) |  USB Type-C power connector and 5 Gbps port with HP Sleep and Charge and DisplayPort output | Connects an AC adapter that has a USB Type-C connector, supplying power to the computer and, if needed, charging the computer battery. - and - Connects a USB device, provides high-speed data transfer, and charges small devices (such as a smartphone), even when the computer is off. NOTE: Use a standard USB Type-C charging cable or cable adapter (purchased separately) when charging a small external device. - and - Connects a display device that has a USB Type-C connector, providing DisplayPort output. |

Table 2-1 Right-side components and their descriptions (continued)

| | Component | Description |
|-----|--|---|
| (4) |  USB 5 Gbps ports (2) | Connect a USB device, provide high-speed data transfer, and (for select products) charge small devices (such as a smartphone) when the computer is on or in sleep mode. NOTE: Use a standard USB Type-A charging cable or cable adapter (purchased separately) when charging a small external device. |
| (5) |  HDMI port | Connects an optional video or audio device, such as a high-definition television, any compatible digital or audio component, or a high-speed High Definition Multimedia Interface (HDMI) device. |

Left

Use the illustration and table to identify the components on the left side of the computer.

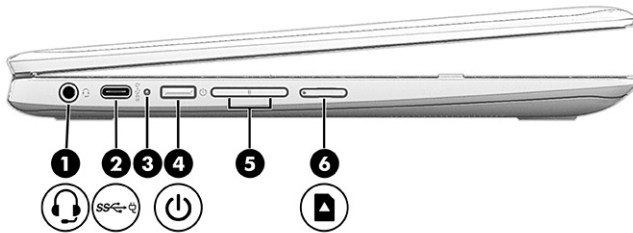


Table 2-2 Left-side components and their descriptions


| | Component | Description |
|-----|--|--|
| (1) |  Audio-out (headphone)/Audio-in (microphone) combo jack | Connects optional powered stereo speakers, headphones, earbuds, a headset, or a television audio cable. Also connects an optional headset microphone. This jack does not support optional standalone microphones. WARNING! To reduce the risk of personal injury, adjust the volume before putting on headphones, earbuds, or a headset. For additional safety information, see the <i>Regulatory, Safety, and Environmental Notices</i> . NOTE: When a device is connected to the jack, the computer speakers are disabled. |

Table 2-2 Left-side components and their descriptions (continued)




| | Component | Description |
|-----|--|--|
| (2) |  USB Type-C power connector and 5 Gbps port with HP Sleep and Charge and DisplayPort output | <p>Connects an AC adapter that has a USB Type-C connector, supplying power to the computer and, if needed, charging the computer battery.</p> <p>- and -</p> <p>Connects a USB device, provides high-speed data transfer, and charges small devices (such as a smartphone), even when the computer is off.</p> <p>NOTE: Use a standard USB Type-C charging cable or cable adapter (purchased separately) when charging a small external device.</p> <p>- and -</p> <p>Connects a display device that has a USB Type-C connector, providing DisplayPort output.</p> |
| (3) | Battery light | <ul style="list-style-type: none"> • White: The AC adapter is connected and the battery is fully charged. • Amber: The AC adapter is connected and the battery is charging. • Off: The AC adapter is not connected. |
| (4) |  Power button | <p>The power button has an integrated light that indicates the state of the computer.</p> <ul style="list-style-type: none"> • White: The computer is turned on. • Blinking white: The computer is in the Sleep state. • Off: computer is off. • When the computer is off, press the button briefly to turn on the computer. • When the computer is on, press the button briefly to initiate Sleep. • When the computer is in the Sleep state, press the button briefly to exit Sleep (select products only). • When the computer is in Hibernation, press the button briefly to exit Hibernation. <p>IMPORTANT: Pressing and holding down the power button results in the loss of unsaved information.</p> <p>If the computer has stopped responding and shutdown procedures are ineffective, press and hold the power button for at least 10 seconds to turn off the computer.</p> |
| (5) | Volume button | Controls speaker volume on the computer. |

Table 2-2 Left-side components and their descriptions (continued)

| | Component | Description |
|-----|---|---|
| (6) |  SIM card tray | Reads optional SIM cards. To insert a card: <ol style="list-style-type: none"> 1. Press in on the tray, and then remove it from the computer. 2. Insert the SIM card into the tray, and then insert the tray into the computer and press in on the tray until it is firmly seated. To remove a SIM card: <ul style="list-style-type: none"> ■ Press in on the tray, and then remove the card from the tray. |

Display

Use the illustration and table to identify the components on the display.

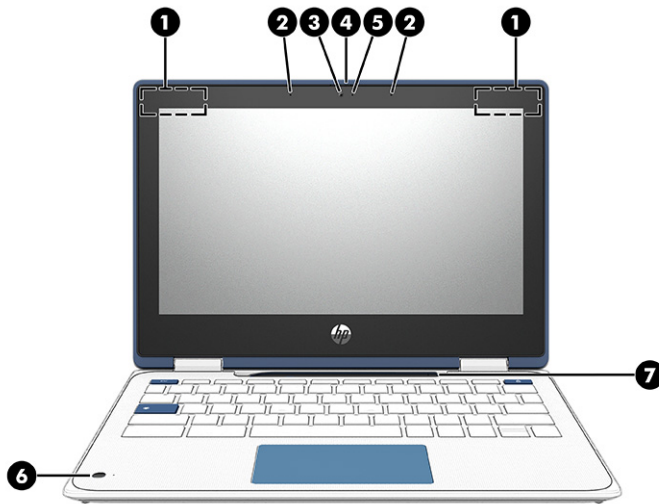


Table 2-3 Display components and their descriptions

| | Component | Description |
|-----|---|---|
| (1) | WLAN antennas (2)* - or - WWAN antennas (2)* (select products only) | Send and receive wireless signals to communicate with wireless local area networks (WLANs). - or - Send and receive wireless signals to communicate with wireless wide area networks (WWANs). |
| (2) | Internal microphones | Record sound. |
| (3) | Camera | Allows you to video chat, record video, and record still images. NOTE: Camera functions vary depending on the camera hardware and software installed on your product. |

Table 2-3 Display components and their descriptions (continued)

| | Component | Description |
|-----|------------------------------------|--|
| (4) | Camera privacy cover | By default, the camera lens is uncovered, but you can slide the camera privacy cover to block the camera's view. To use the camera, slide the camera privacy cover in the opposite direction to reveal the lens. NOTE: If you have both front-facing and rear-facing cameras, when one camera lens is revealed and ready to use, the other is concealed. |
| (5) | Camera light | On (white): The camera is in use. On (amber): The switch turns off the camera. Off: The software has turned off the camera. |
| (6) | Camera (select products only) | Allows you to video chat, record video, and record still images. NOTE: Camera functions vary depending on the camera hardware and software installed on your product. |
| (7) | Digital pen (select products only) | Provides alternate input for the computer. |

*The antennas are not visible from the outside of the computer. For optimal transmission, keep the areas immediately around the antennas free from obstructions.

For wireless regulatory notices, see the section of the *Regulatory, Safety, and Environmental Notices* that applies to your country or region.

Keyboard area

Keyboards can vary by language.

Touchpad

The touchpad settings and components are described here.

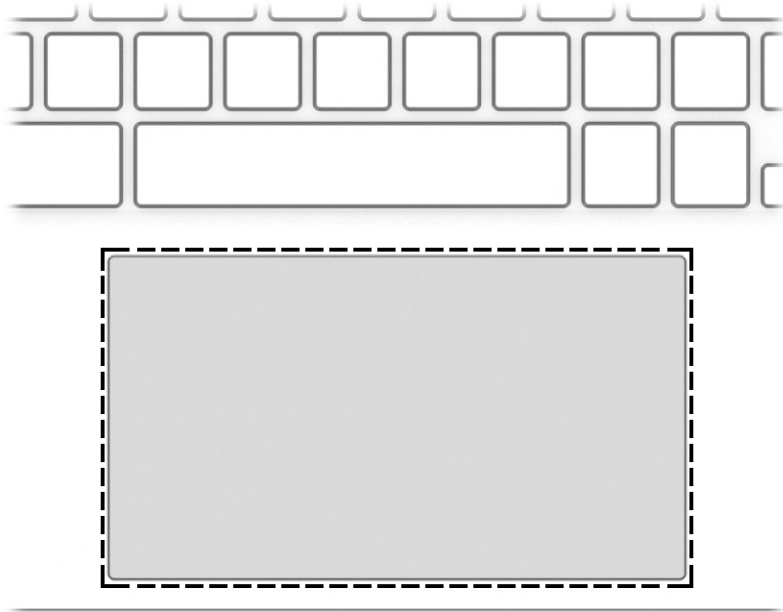


Table 2-4 Touchpad component and description

| Component | Description |
|---------------|---|
| Touchpad zone | Reads your finger gestures to move the pointer or activate items on the screen. |

Special keys

Use the illustration and table to locate the special keys.

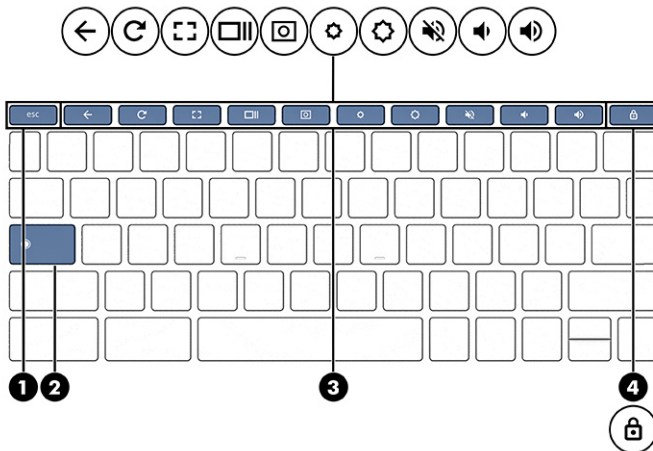


Table 2-5 Special keys and their descriptions

| | Component | Description |
|-----|------------|--|
| (1) | esc key | Activates certain computer functions when pressed in combination with other keys, such as tab or shift . |
| (2) | Search key | Opens the search dialog. |

Table 2-5 Special keys and their descriptions (continued)

| | Component | Description |
|-----|-------------|---|
| (3) | Action keys | Execute frequently used system functions. |
| (4) | Lock key | Closes and locks the screen, requiring users to type a password to unlock the screen. |

Bottom

Use the illustration and table to identify the bottom components.

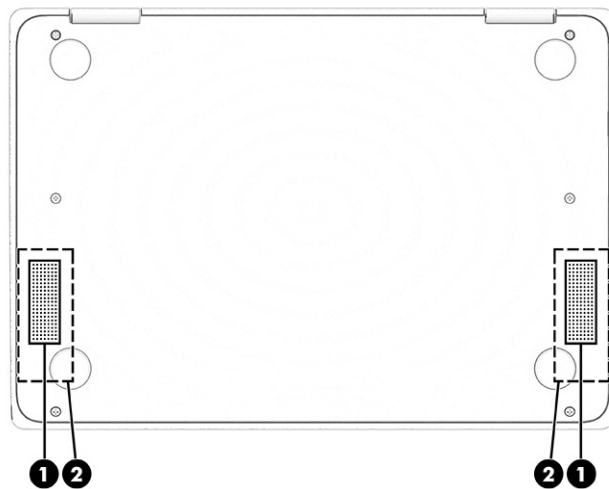


Table 2-6 Bottom components and descriptions


| | Component | Description |
|-----|---|---|
| (1) | Speakers (2) | Produce sound. |
| (2) | WLAN antennas* (2) (select products only) | Send and receive wireless signals to communicate with wireless local area networks (WLANs). |

*The antennas are not visible from the outside of the computer. For optimal transmission, keep the areas immediately around the antennas free from obstructions.

For wireless regulatory notices, see the section of the *Regulatory, Safety, and Environmental Notices* that applies to your country or region.

Labels

The labels affixed to the computer provide information you might need when you troubleshoot system problems or travel internationally with the computer. Labels might be in paper form or imprinted on the product.

 **IMPORTANT:** Check the following locations for the labels described in this section: the bottom of the computer, inside the battery bay, under the service door, on the back of the display, or on the bottom of a tablet kickstand.

- Service label—Provides important information to identify your computer. When contacting support, you might be asked for the serial number, the product number, or the model number. Locate this information before you contact support.

Your service label will resemble one of the following examples. Refer to the illustration that most closely matches the service label on your computer.

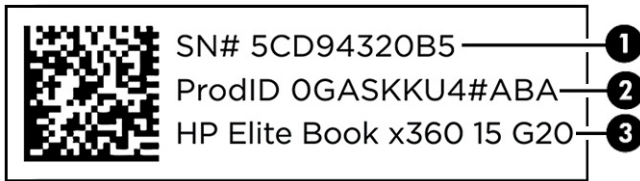


Table 2-7 Service label components

| Component | |
|-----------|-----------------|
| (1) | Serial number |
| (2) | Product ID |
| (3) | HP product name |

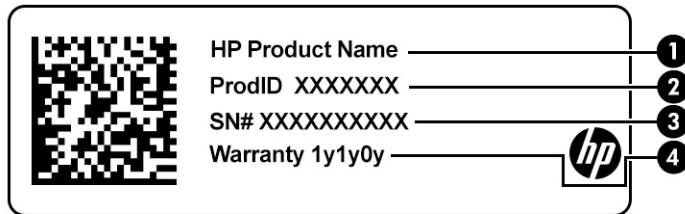


Table 2-8 Service label components

| Component | |
|-----------|-----------------|
| (1) | HP product name |
| (2) | Product ID |
| (3) | Serial number |
| (4) | Warranty period |

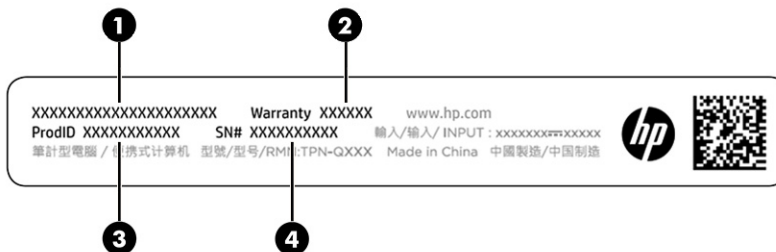


Table 2-9 Service label components

| Component | |
|-----------|-----------------|
| (1) | HP product name |
| (2) | Warranty period |
| (3) | Product ID |
| (4) | Serial number |


- Regulatory labels—Provide regulatory information about the computer.
- Wireless certification labels—Provide information about optional wireless devices and the approval markings for the countries or regions where the devices have been approved for use.


3 Illustrated parts catalog

Use this chapter to determine the spare parts that are available for the computer.

Chromebook major components

To identify the Chromebook™ major components, use this illustration and table.

 **NOTE:** HP continually improves and changes product parts. For complete and current information about supported parts for your computer, go to <http://partsurfer.hp.com>, select your country or region, and then follow the on-screen instructions.

 **NOTE:** Details about your computer, including model, serial number, product key, and length of warranty, are on the service tag at the bottom of your computer.

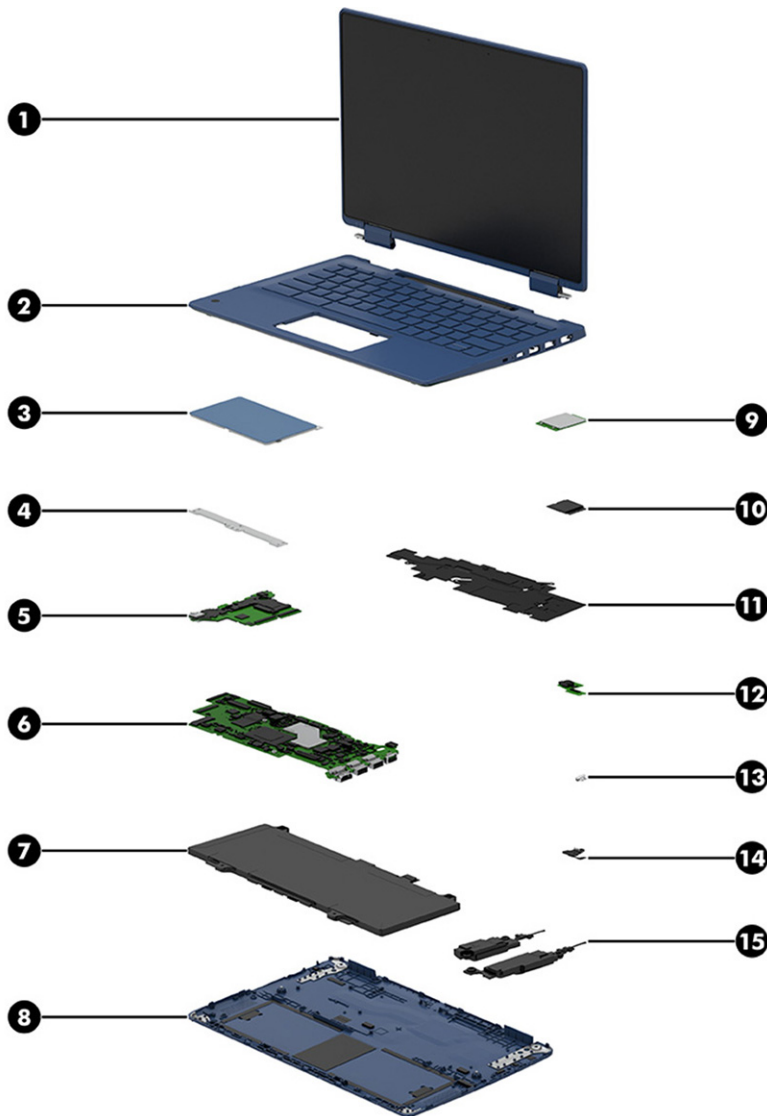


Table 3-1 Chromebook major component descriptions and part numbers

| Item | Component | Spare part number |
|------|---|-------------------|
| (1) | Display assembly NOTE: Display assemblies are offered as spare parts only at a subcomponent level. For more information, see Display assembly subcomponents on page 14 . | |
| (2) | Top cover with keyboard For a detailed list of country codes, see Top cover with keyboard on page 51 . | |
| | Flint gray, models with second camera | N91065-001 |
| | Flint gray, models without second camera | N91066-001 |
| | Flint gray, models with second camera, WWAN models | N91067-001 |
| | Flint gray, models without second camera, WWAN models | N91068-001 |
| | Flint gray, models with second camera and pen cradle | N91069-001 |
| | Flint gray, models without second camera, with pen cradle | N91070-001 |
| | Flint gray, models with second camera and pen cradle | N91072-001 |
| | Flint gray, models without second camera, with pen cradle | N91071-001 |
| | Cosmic blue, models with second camera | N91073-001 |
| | Cosmic blue, models without second camera | N91074-001 |
| | Cosmic blue, models with second camera, WWAN models | N91075-001 |
| | Cosmic blue, models without second camera, WWAN models | N91076-001 |
| | Cosmic blue, models with second camera and pen cradle | N91077-001 |
| | Cosmic blue, models without second camera, with pen cradle | N91078-001 |
| | Cosmic blue, models with second camera and pen cradle | N91079-001 |
| | Cosmic blue, models without second camera, with pen cradle | N91080-001 |
| (3) | Touchpad NOTE: The touchpad cable is available in the Cable Kit as spare part number N85027-001. | |
| | Jet black | N85025-001 |
| | Galactic blue | N85026-001 |
| (4) | Touchpad bracket (in the Bracket Kit) | N85029-001 |
| (5) | USB board NOTE: The SIM card tray is available as spare part number N91923-001 for gray models and N91924-001 for cosmic blue models. | |
| | Models with WWAN | N85017-001 |
| | Models without WWAN | N85016-001 |
| (6) | System board (includes processor, replacement thermal material, and the Chrome operating system) | |
| | Intel N200 processor, 16 GB system memory, 128 GB UFS memory | N84329-001 |
| | Intel N200 processor, 16 GB system memory, 128 GB UFS memory (WWAN models) | N84331-001 |

Table 3-1 Chromebook major component descriptions and part numbers (continued)

| Item | Component | Spare part number |
|-------------|---|-------------------------------|
| | Intel N200 processor, 8 GB system memory, 64 GB eMMC memory | N84330-001 |
| | Intel N100 processor, 16 GB system memory, 128 GB UFS memory | N84324-001 |
| | Intel N100 processor, 8 GB system memory, 64 GB eMMC memory | N84327-001 |
| | Intel N100 processor, 8 GB system memory, 64 GB eMMC memory (WWAN models) | N84328-001 |
| | Intel N100 processor, 4 GB system memory, 32 GB eMMC memory | N84325-001 |
| | Intel N100 processor, 4 GB system memory, 32 GB eMMC memory (WWAN models) | N84326-001 |
| (7) | Battery | N85035-001 |
| (8) | Bottom cover | |
| | Jet black, models with WLAN | N85012-001 |
| | Jet black, models with WLAN + WWAN | N85013-001 |
| | Galactic blue, models with WLAN | N85014-001 |
| | Galactic blue, models with WLAN + WWAN | N85015-001 |
| (9) | WWAN module (Qualcomm Snapdragon X12 LTE-Advanced [CAT 6]) | N85420-001 |
| | NOTE: The WWAN module bracket is available in the Bracket Kit as spare part number N85029-001. | |
| (10) | WLAN module | |
| | NOTE: The WLAN module bracket is available in the Bracket Kit as spare part number N85029-001. | |
| | Intel AX211 Wi-Fi 6E Bluetooth 5.3 WLAN | N85418-001 |
| | MediaTek MT7921 Wi-Fi 6 + Bluetooth 5.3 | N85419-001 |
| (11) | Heat sink (includes replacement thermal material) | N87095-001 |
| | NOTE: The heat sink thermal pad is available as spare part number M76797-001. | |
| (12) | Pen charger (in the Cable Kit) | N85027-001 |
| (13) | Lock bracket | not available as a spare part |
| (14) | Second camera | N91928-001 |
| (15) | Speakers | |
| | Models with WWAN | N91921-001 |
| | Models without WWAN | N91922-001 |

Display assembly subcomponents

To identify the display assembly subcomponents, use this illustration and table.

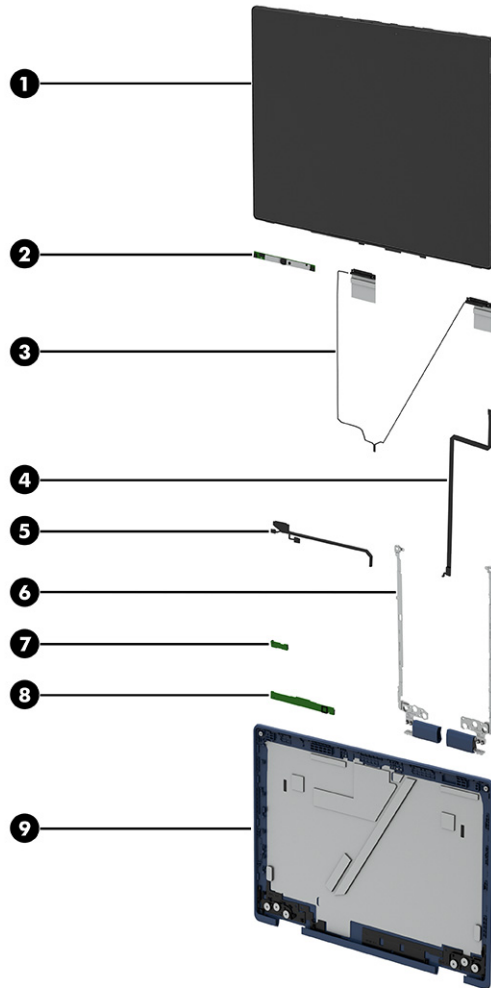


Table 3-2 Display component descriptions and part numbers

| Item | Component | Spare part number |
|------|--|-------------------|
| (1) | Display panel | N85421-001 |
| (2) | Camera module | N85030-001 |
| | Flint gray | N92000-001 |
| | Cosmic blue | N92001-001 |
| (3) | WWAN antennas and cables | N85024-001 |
| (4) | Camera cable (included in the Cable Kit) | N85027-001 |
| (5) | Display cable kit | N85028-001 |
| (6) | Hinges (includes left and right display hinges and covers) | N85236-001 |
| | Flint gray | N85031-001 |
| | Cosmic blue | N93435-001 |
| (7) | Sensor board | M47234-001 |
| (8) | Touch control board | N91925-001 |

Table 3-2 Display component descriptions and part numbers (continued)

| Item | Component | Spare part number |
|------------|--|-------------------|
| (9) | Display back cover (includes wireless antennas) | |
| | WLAN-only models, jet black | N85019-001 |
| | WLAN + WWAN models, jet black | N85020-001 |
| | WLAN-only models, galactic blue | N85021-001 |
| | WLAN + WWAN models, galactic blue | N85022-001 |
| | WLAN antennas and cables (not illustrated) | N85023-001 |

Miscellaneous parts

To identify the miscellaneous parts, use this table.

Table 3-3 Miscellaneous part descriptions and part numbers

| Component | Spare part number |
|--|-------------------|
| AC adapter (USB Type-C) | |
| 65 W AC adapter (non-PFC) | M54350-001 |
| 45 W (non-PFC 1.8 m [6 ft], wall mount) | L32390-001 |
| 45 W (non-PFC 1.8 m [6 ft]) | L43407-001 |
| Cable Kit (includes USB/WLAN cable, USB/WWAN cable, USB cable, camera/WWAN cable, camera/WWAN cable, touchpad cable, touch pen cable, and camera cable) | N85027-001 |
| Bracket Kit (includes USB-C® bracket, WWAN bracket, WLAN bracket, left and right I/O brackets, top camera support bracket, battery support bracket, POGO magnet, touchpad protective tape, and rubber bumper) | N85029-001 |
| Screw Kit | N84556-001 |
| Misc Parts Kit (includes top shield protective cover, touchpad bracket rubber, and touchpad protective covering) | N85033-001 |
| HP Pen | M47241-001 |
| Adapters | |
| HDMI-to-VGA | 701943-001 |
| USB-C-to-VGA | 831751-001 |
| USB-C-to-USB-A | 916838-001 |
| USB-C-to-HDMI 2.0 | 935325-001 |
| USB-C-to-DisplayPort | 831753-001 |
| USB 3.0-to-gigabit RJ-45 | M95984-001 |
| USB-C-to-RJ-45 | M95985-001 |
| USB-C-to-RJ-45 (TAA) | N22602-001 |
| HDMI-to-VGA (TAA) | N25154-001 |
| USB-C-to-DisplayPort (TAA) | N25155-001 |

Table 3-3 Miscellaneous part descriptions and part numbers (continued)

| Component | Spare part number |
|--|-------------------|
| HP Sure Key Cable Lock | L65088-001 |
| HP Universal Multiport Hub, USB-C | M96882-001 |
| HP Universal Multiport Travel Hub, USB-C | N60372-001 |
| HP USB-C Travel Hub | L72056-001 |
| HP Prelude Pro 15.6 Backpack | M03617-001 |
| HP Prelude Pro 15.6 Top Load Case | M03618-001 |
| HP Mobility 11.6 Laptop Case | M99074-001 |
| HP Nano Lock | 918431-001 |
| Duckhead power connector (for use in Japan) | |
| Japan | L33157-001 |
| South Korea | L50818-001 |
| North America | L50818-002 |
| Power cord (C5, 1.8 m [6.0 ft], conventional with sticker) | |
| Argentina | L19357-002 |
| Denmark | L19360-002 |
| People's Republic of China | L19368-002 |
| South Korea | L19366-002 |
| Power cord (C5, premium, straight, 1.0 m [3.3 ft]) | |
| Argentina | L30811-001 |
| Australia | L22327-001 |
| Brazil | L30812-001 |
| Denmark | L22322-001 |
| Europe (Austria, Belgium, Finland, France, Germany, the Netherlands, Norway, and Sweden) | L22321-001 |
| India | L22624-001 |
| Italy | L30813-001 |
| Israel | L22323-001 |
| Japan | L22330-001 |
| North America | L22319-001 |
| People's Republic of China | L21930-001 |
| South Africa | L22325-001 |
| South Korea | L22328-001 |
| Switzerland | L22324-001 |
| Taiwan | L22329-001 |
| Thailand | L22326-001 |

Table 3-3 Miscellaneous part descriptions and part numbers (continued)

| Component | Spare part number |
|--|--------------------------|
| Thailand + ADP bundle | M85421-001 |
| United Kingdom | L22320-001 |
| Power cord (C5, 1.0 m [3.3 ft], duckhead with sticker, premium) | |
| Argentina | L36815-001 |
| Australia | L36816-001 |
| Brazil | L44789-001 |
| Europe (Austria, Belgium, Finland, France, Germany, the Netherlands, Norway, and Sweden) | L36818-001 |
| India | L36820-001 |
| Italy | L44788-001 |
| Israel | L36819-001 |
| North America | L36822-001 |
| South Africa | L36824-001 |
| Switzerland | L36825-001 |
| Taiwan | L36827-001 |
| United Kingdom | L36828-001 |

4 Removal and replacement procedures preliminary requirements

Use this information to properly prepare to disassemble and reassemble the computer.


Tools required

You need the following tools to complete the removal and replacement procedures:

- Nonconductive, nonmarking pry tool
- Magnetic Phillips P2 screwdriver

Service considerations

The following sections include some of the considerations that you must keep in mind during disassembly and assembly procedures.


 **NOTE:** As you remove each subassembly from the computer, place the subassembly (and all accompanying screws) away from the work area to prevent damage.

Plastic parts

Using excessive force during disassembly and reassembly can damage plastic parts.

Cables and connectors


Handle cables with extreme care to avoid damage.

 **IMPORTANT:** When servicing the computer, be sure that cables are placed in their proper locations during the reassembly process. Improper cable placement can damage the computer.

Apply only the tension required to unseat or seat the cables during removal and insertion. Handle cables by the connector whenever possible. In all cases, avoid bending, twisting, or tearing cables. Be sure that cables are routed so that they cannot be caught or snagged as you remove or replace parts. Handle flex cables with extreme care; these cables tear easily.

Drive handling

Note the following guidelines when handling drives.

 **IMPORTANT:** Drives are fragile components. Handle them with care. To prevent damage to the computer, damage to a drive, or loss of information, observe these precautions:


- Before removing or inserting a hard drive, shut down the computer. If you are unsure whether the computer is off or in Hibernation, turn the computer on, and then shut it down through the operating system.

- Before handling a drive, be sure that you are discharged of static electricity. While handling a drive, avoid touching the connector.
 - Before removing an optical drive, be sure that a disc is not in the drive, and be sure that the optical drive tray is closed.
 - Handle drives on surfaces covered with at least 2.54 cm (1 inch) of shock-proof foam.
 - Avoid dropping drives from any height onto any surface.
 - After removing a hard drive or an optical drive, place it in a static-proof bag.
 - Avoid exposing an internal hard drive to products that have magnetic fields, such as monitors or speakers.
 - Avoid exposing a drive to temperature extremes or liquids.
 - If a drive must be mailed, place the drive in a bubble pack mailer or other suitable form of protective packaging, and label the package "FRAGILE."
-

Electrostatic discharge information

A sudden discharge of static electricity from your finger or other conductor can destroy static-sensitive devices or microcircuitry. Often the spark is neither felt nor heard, but damage occurs. An electronic device exposed to electrostatic discharge (ESD) might not appear to be affected at all and can work perfectly throughout a normal cycle. The device might function normally for a while, but it has been degraded in the internal layers, reducing its life expectancy.

Networks built into many integrated circuits provide some protection, but in many cases, the discharge contains enough power to alter device parameters or melt silicon junctions.

 **IMPORTANT:** To prevent damage to the device when you remove or install internal components, observe these precautions:

- Keep components in their electrostatic-safe containers until you are ready to install them.
 - Before touching an electronic component, discharge static electricity by using the guidelines described in [Personal grounding methods and equipment on page 21](#).
 - Avoid touching pins, leads, and circuitry. Handle electronic components as little as possible.
 - If you remove a component, place it in an electrostatic-safe container.
-

Generating static electricity

Follow these static electricity guidelines:

- Different activities generate different amounts of static electricity.
- Static electricity increases as humidity decreases.

Table 4-1 Static electricity occurrence based on activity and humidity

| Event | Relative humidity | | |
|---|-------------------|----------|----------|
| | 55% | 40% | 10% |
| Walking across carpet | 7,500 V | 15,000 V | 35,000 V |
| Walking across vinyl floor | 3,000 V | 5,000 V | 12,000 V |
| Motions of bench worker | 400 V | 800 V | 6,000 V |
| Removing dual in-line packages (DIPs) from plastic tube | 400 V | 700 V | 2,000 V |
| Removing DIPs from vinyl tray | 2,000 V | 4,000 V | 11,500 V |
| Removing DIPs from polystyrene foam | 3,500 V | 5,000 V | 14,500 V |
| Removing bubble pack from PCB (printed circuit board) | 7,000 V | 20,000 V | 26,500 V |
| Packing PCBs in foam-lined box | 5,000 V | 11,000 V | 21,000 V |

Multiple electric components can be packaged together in plastic tubes, trays, or polystyrene foam.



NOTE: As little as 700 V of static electricity can degrade a product.

Preventing electrostatic damage to equipment

Many electronic components are sensitive to ESD. Circuitry design and structure determine the degree of sensitivity.

The following packaging and grounding precautions are necessary to prevent static electricity damage to electronic components:

- To avoid hand contact, transport products in static-safe containers such as tubes, bags, or boxes.
- Protect all electrostatic parts and assemblies with conductive or approved containers or packaging.
- Keep electrostatic-sensitive parts in their containers until they arrive at static-free stations.
- Place items on a grounded surface before removing them from their container.
- Always be properly grounded when touching a sensitive component or assembly.
- Avoid contact with pins, leads, or circuitry.
- Place reusable electrostatic-sensitive parts from assemblies in protective packaging or conductive foam.

Personal grounding methods and equipment

Using certain equipment can prevent static electricity damage to electronic components.

- **Wrist straps** are flexible straps with a maximum of $1\text{ M}\Omega \pm 10\%$ resistance in the ground cords. To provide proper ground, a strap must be worn snug against bare skin. The ground cord must be connected and fit snugly into the banana plug connector on the grounding mat or workstation.
- You can use **heel straps, toe straps, and boot straps** at standing workstations. These straps are compatible with most types of shoes or boots. On conductive floors or dissipative floor mats, use them on both feet with a maximum of $1\text{ M}\Omega \pm 10\%$ resistance between the operator and ground.

Table 4-2 Static shielding protection levels

| Static shielding protection levels | |
|------------------------------------|---------|
| Method | Voltage |
| Antistatic plastic | 1,500 |
| Carbon-loaded plastic | 7,500 |
| Metallized laminate | 15,000 |

Grounding the work area

To prevent static damage at the work area, follow these precautions:

- Cover the work surface with approved static-dissipative material.
- Use a wrist strap connected to a properly grounded work surface and use properly grounded tools and equipment.
- Use static-dissipative mats, foot straps, or air ionizers to give added protection.
- Handle electrostatic sensitive components, parts, and assemblies by the case or PCB laminate. Handle them only at static-free work areas.
- Turn off power and input signals before inserting and removing connectors or test equipment.
- Use fixtures made of static-safe materials when fixtures must directly contact dissipative surfaces.
- Keep the work area free of nonconductive materials, such as ordinary plastic assembly aids and polystyrene foam.
- Use conductive field service tools, such as cutters, screwdrivers, and vacuums.
- Avoid contact with pins, leads, or circuitry.

Recommended materials and equipment

HP recommends certain materials and equipment to prevent static electricity:

- Antistatic tape
- Antistatic smocks, aprons, or sleeve protectors
- Conductive bins and other assembly or soldering aids
- Conductive foam
- Conductive tabletop workstations with ground cord of $1\text{ M}\Omega \pm 10\%$ resistance
- Static-dissipative table or floor mats with hard tie to ground
- Field service kits
- Static awareness labels
- Wrist straps and footwear straps providing $1\text{ M}\Omega \pm 10\%$ resistance
- Material handling packages

- Conductive plastic bags
- Conductive plastic tubes
- Conductive tote boxes
- Opaque shielding bags
- Transparent metallized shielding bags
- Transparent shielding tubes

Cleaning your computer

Cleaning your computer regularly removes dirt and debris so that your device continues to operate at its best. Use the following information to safely clean the external surfaces of your computer.

Enabling HP Easy Clean (select products only)

HP Easy Clean helps you to avoid accidental input while you clean the computer surfaces. This software disables devices such as the keyboard, touch screen, and touchpad for a preset amount of time so that you can clean all computer surfaces.


1. Start HP Easy Clean in one of the following ways:
 - Select the **Start** menu, and then select **HP Easy Clean**.
- or -
 - Select the **HP Easy Clean** icon in the taskbar.
- or -
 - Select **Start**, and then select the **HP Easy Clean** tile.
2. Now that your device is disabled for a short period, see [Removing dirt and debris from your computer on page 23](#) for the recommended steps to clean the high-touch, external surfaces on your computer. After you remove the dirt and debris, you can also clean the surfaces with a disinfectant. See [Cleaning your computer with a disinfectant on page 24](#) for guidelines to help prevent the spread of harmful bacteria and viruses.

Removing dirt and debris from your computer


Here are the recommended steps to clean dirt and debris from your computer.

For computers with wood veneer, see [Caring for wood veneer \(select products only\) on page 25](#).


1. Wear disposable gloves made of latex (or nitrile gloves, if you are latex-sensitive) when cleaning the surfaces.
2. Turn off your device and unplug the power cord and other connected external devices. Remove any installed batteries from items such as wireless keyboards.

 **CAUTION:** To prevent electric shock or damage to components, never clean a product while it is turned on or plugged in.

3. Moisten a microfiber cloth with water. The cloth should be moist, but not dripping wet.

 **IMPORTANT:** To avoid damaging the surface, avoid abrasive cloths, towels, and paper towels.

4. Wipe the exterior of the product gently with the moistened cloth.

 **IMPORTANT:** Keep liquids away from the product. Avoid getting moisture in any openings. If liquid makes its way inside your HP product, it can cause damage to the product. Do not spray liquids directly on the product. Do not use aerosol sprays, solvents, abrasives, or cleaners containing hydrogen peroxide or bleach that might damage the finish.

5. Start with the display (if applicable). Wipe carefully in one direction, and move from the top of the display to the bottom. Finish with any flexible cables, like power cord, keyboard cable, and USB cables.
6. Be sure that surfaces have completely air-dried before turning the device on after cleaning.
7. Discard the gloves after each cleaning. Clean your hands immediately after you remove the gloves.

See [Cleaning your computer with a disinfectant on page 24](#) for recommended steps to clean the high-touch, external surfaces on your computer to help prevent the spread of harmful bacteria and viruses.


Cleaning your computer with a disinfectant

The World Health Organization (WHO) recommends cleaning surfaces, followed by disinfection, as a best practice for preventing the spread of viral respiratory illnesses and harmful bacteria.


After cleaning the external surfaces of your computer using the steps in [Removing dirt and debris from your computer on page 23](#), [Caring for wood veneer \(select products only\) on page 25](#), or both, you might also choose to clean the surfaces with a disinfectant. A disinfectant that is within HP's cleaning guidelines is an alcohol solution consisting of 70% isopropyl alcohol and 30% water. This solution is also known as rubbing alcohol and is sold in most stores.


Follow these steps when disinfecting high-touch, external surfaces on your computer:

1. Wear disposable gloves made of latex (or nitrile gloves, if you are latex-sensitive) when cleaning the surfaces.
2. Turn off your device and unplug the power cord and other connected external devices. Remove any installed batteries from items such as wireless keyboards.


 **CAUTION:** To prevent electric shock or damage to components, never clean a product while it is turned on or plugged in.

3. Moisten a microfiber cloth with a mixture of 70% isopropyl alcohol and 30% water. The cloth should be moist, but not dripping wet.

 **CAUTION:** Do not use any of the following chemicals or any solutions that contain them, including spray-based surface cleaners: bleach, peroxides (including hydrogen peroxide), acetone, ammonia, ethyl alcohol, methylene chloride, or any petroleum-based materials, such as gasoline, paint thinner, benzene, or toluene.

 **IMPORTANT:** To avoid damaging the surface, avoid abrasive cloths, towels, and paper towels.

4. Wipe the exterior of the product gently with the moistened cloth.

 **IMPORTANT:** Keep liquids away from the product. Avoid getting moisture in any openings. If liquid makes its way inside your HP product, it can cause damage to the product. Do not spray liquids directly on the product. Do not use aerosol sprays, solvents, abrasives, or cleaners containing hydrogen peroxide or bleach that might damage the finish.

5. Start with the display (if applicable). Wipe carefully in one direction, and move from the top of the display to the bottom. Finish with any flexible cables, like power cord, keyboard cable, and USB cables.
6. Be sure that surfaces have completely air-dried before turning the device on after cleaning.
7. Discard the gloves after each cleaning. Clean your hands immediately after you remove the gloves.

Caring for wood veneer (select products only)

Your product might feature high-quality wood veneer. As with all natural wood products, proper care is important for best results over the life of the product. Because of the nature of natural wood, you might see unique variations in the grain pattern or subtle variations in color, which are normal.

- Clean the wood with a dry, static-free microfiber cloth or chamois.
- Avoid cleaning products containing substances such as ammonia, methylene chloride, acetone, turpentine, or other petroleum-based solvents.
- Do not expose the wood to sun or moisture for long periods of time.
- If the wood becomes wet, dry it by dabbing with an absorbent, lint-free cloth.
- Avoid contact with any substance that might dye or discolor the wood.
- Avoid contact with sharp objects or rough surfaces that might scratch the wood.

See [Removing dirt and debris from your computer on page 23](#) for the recommended steps to clean the high-touch, external surfaces on your computer. After you remove the dirt and debris, you can also clean the surfaces with a disinfectant. See [Cleaning your computer with a disinfectant on page 24](#) for sanitizing guidelines to help prevent the spread of harmful bacteria and viruses.

Packaging and transporting guidelines

Follow these grounding guidelines when packaging and transporting equipment:

- To avoid hand contact, transport products in static-safe tubes, bags, or boxes.
- Protect ESD-sensitive parts and assemblies with conductive or approved containers or packaging.
- Keep ESD-sensitive parts in their containers until the parts arrive at static-free workstations.
- Place items on a grounded surface before removing items from their containers.
- Always be properly grounded when touching a component or assembly.
- Store reusable ESD-sensitive parts from assemblies in protective packaging or nonconductive foam.

- Use transporters and conveyors made of antistatic belts and roller bushings. Be sure that mechanized equipment used for moving materials is wired to ground and that proper materials are selected to avoid static charging. When grounding is not possible, use an ionizer to dissipate electric charges.

Accessing support information

To find the HP support that you need, use this information.

Table 4-3 Support information locations



| Service consideration | Path to access information |
|--|---|
| Records of reported failure incidents stored on the computer | <p>Windows®:</p> <p>Preoperating system failures are logged in the BIOS Event Log. To view the BIOS Event Log:</p> <ol style="list-style-type: none"> 1. Press the power button. 2. Immediately and repeatedly press esc when the power button light turns white. <p>NOTE: If you do not press esc at the appropriate time, you must restart the computer and again repeatedly press esc when the power button light turns white to access the utility.</p> <ol style="list-style-type: none"> 3. Press f10 to enter the BIOS setup. 4. (On commercial products) Under the Main tab, select BIOS event log, and then select View BIOS Event Log. <p>- or -</p> <p>(On consumer products) Under the Main tab, select System Log.</p> <p>Post-operating system failures are logged in the Event Viewer.</p> <ol style="list-style-type: none"> 1. Turn on the computer and allow the operating system to open. 2. Select the search icon  in the taskbar. 3. Type <code>Event Viewer</code>, and then press enter. 4. Select the log from the left panel. Details display in the right panel. <p>Chrome™:</p> <ol style="list-style-type: none"> 1. Go to support.google.com/chrome. 2. Search <code>collect Chrome device logs</code>. |
| Technical bulletins | <p>To locate technical bulletins:</p> <ol style="list-style-type: none"> 1. Go to www.hp.com. 2. Place the cursor over Problem solving to display more options. 3. Select Support & Troubleshooting. 4. Type the serial number, product number, or product name to go to the product support page. 5. Select Advisories to view technical bulletins. |


Table 4-3 Support information locations (continued)

| Service consideration | Path to access information |
|---|--|
| Repair professionals | To locate repair professionals: <ol style="list-style-type: none"><li data-bbox="703 312 932 333">1. Go to www.hp.com.<li data-bbox="703 361 1362 382">2. Place the cursor over Support resources to display more options.<li data-bbox="703 409 1091 430">3. Select Authorized service providers. |
| Component and diagnosis information, failure detection, and required action | To locate diagnosis information and actions: <ol style="list-style-type: none"><li data-bbox="703 512 1203 533">1. Go to http://www.hp.com/go/techcenter/pcdiags.<li data-bbox="703 560 932 581">2. Select Get Support.<li data-bbox="703 609 1445 653">3. Near the bottom of the window, select Notebook PCs, and then select your location. |

5 Removal and replacement procedures for authorized service provider parts


This chapter provides removal and replacement procedures for authorized service provider parts.

 **IMPORTANT:** Only an authorized service provider should access the components described in this chapter. Accessing these parts can damage the computer or void the warranty.

 **NOTE:** Details about your computer, including model, serial number, product key, and length of warranty, are on the service tag at the bottom of your computer.

Component replacement procedures

To remove and replace computer components, use the procedures described in this section.

 **NOTE:** HP continually improves and changes product parts. For complete and current information about supported parts for your computer, go to <https://partsurfer.hp.com/partsurfer/>, select your country or region, and then follow the on-screen instructions.

Make special note of each screw size and location during removal and replacement.

Preparation for disassembly

To remove and replace computer components, use these procedures:

For initial safety procedures, see [Removal and replacement procedures preliminary requirements on page 19](#).

1. Turn off the computer. If you are unsure whether the computer is off or in Hibernation, turn the computer on, and then shut it down through the operating system.
2. Disconnect the power from the computer by unplugging the power cord from the computer.
3. Disconnect all external devices from the computer.

Bottom cover

To remove the bottom cover, use this procedure and illustration.

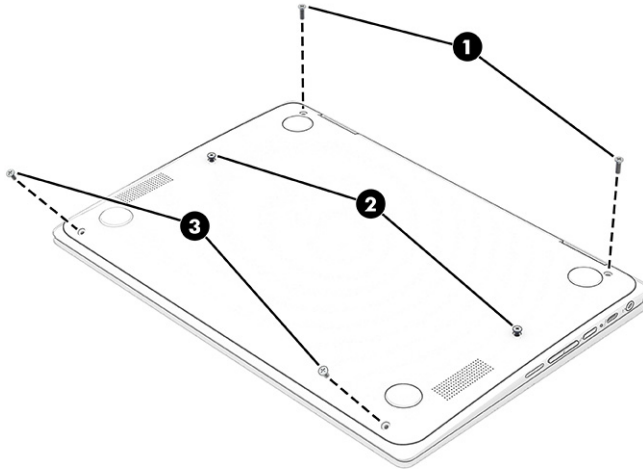
Table 5-1 Bottom cover description and part number

| Description | Spare part number |
|--|-------------------|
| Jet black, models with WLAN | N85012-001 |
| Jet black, models with WLAN + WWAN | N85013-001 |
| Galactic blue, models with WLAN | N85014-001 |
| Galactic blue, models with WLAN + WWAN | N85015-001 |

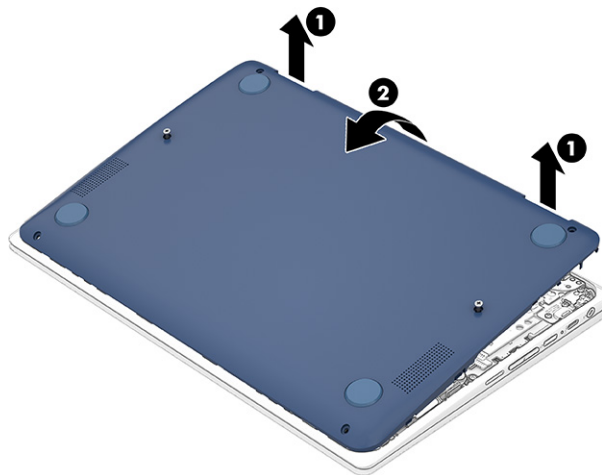
Before removing the bottom cover, prepare the computer for disassembly ([Preparation for disassembly on page 28](#)).

Remove the bottom cover:

1. Position the computer upside down with the front toward you.
2. Remove the two Phillips M2.0 × 8.0 screws (1).
3. Loosen the two captive Phillips screws (2).
4. Remove the two Phillips M2.0 × 5.0 screws (3).



5. Separate the top edge of the bottom cover (1) from the computer.
6. Remove the bottom cover (2).




To install the bottom cover, reverse the removal procedures.

Battery

To remove the battery, use this procedure and illustration.

Table 5-2 Battery description and part number


| Description | Spare part number |
|--------------------------------|-------------------|
| 2 cell, 47 Whr, Li-ion battery | N85035-001 |


 **WARNING!** To avoid personal injury and damage to the product:

- Do *not* puncture, twist, or crack the battery.
- Do *not* cause an external puncture or rupture to the battery. Punctures can cause a short inside the battery, which can result in battery thermal runaway.
- Do *not* handle or touch the battery enclosure with sharp objects such as tweezers or pliers, which might puncture the battery.
- Do *not* compress or squeeze the battery case with tools or heavy objects stacked on top of the case. These actions can apply undue force to the battery.
- Do *not* touch the connectors with any metallic surface or object, such as metal tools, screws, or coins, which can cause shorting across the connectors.

Before removing the battery, follow these steps:

1. Prepare the computer for disassembly (see [Preparation for disassembly on page 28](#)).
2. Remove the bottom cover (see [Bottom cover on page 28](#)).

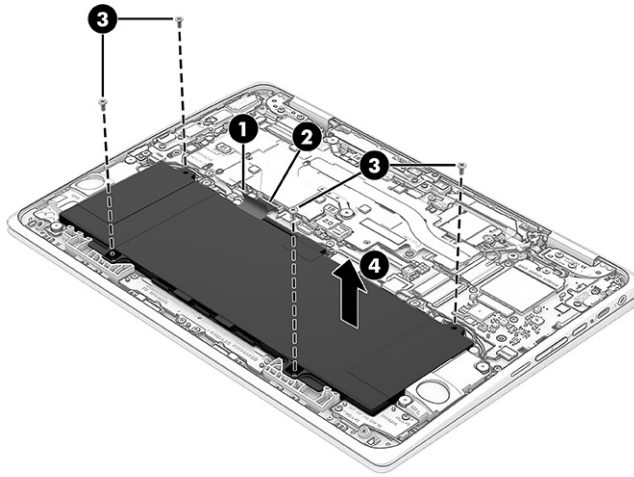
 **WARNING!** To reduce potential safety issues, use only the user-replaceable battery provided with the computer, a replacement battery provided by HP, or a compatible battery purchased from HP.

 **IMPORTANT:** Removing a battery that is the sole power source for the computer can cause loss of information. To prevent loss of information, save your work or shut down the computer through Windows before you remove the battery.

Remove the battery:

1. Lift the tape **(1)** off the system board battery connector. You do not need to completely remove the tape.
2. Disconnect the battery cable **(2)** from the system board.
3. Remove the four Phillips M2.0 × 5.0 screws **(3)** that secure the battery to the computer.

4. Remove the battery from the computer (4).



To replace the battery, reverse the removal procedures.

Touchpad

To remove the touchpad, use this procedure and illustration.

Table 5-3 Touchpad description and part number

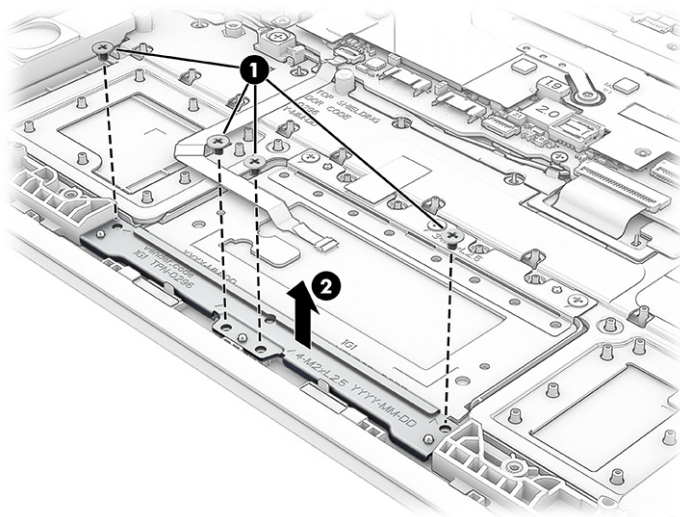
| Description | Spare part number |
|---|-------------------|
| Touchpad, jet black | N85025-001 |
| Touchpad, galactic blue | N85026-001 |
| Touchpad cable (available in the Cable Kit) | N85027-001 |
| Touchpad bracket (available in the Bracket Kit) | N85029-001 |

Before removing the touchpad, follow these steps:

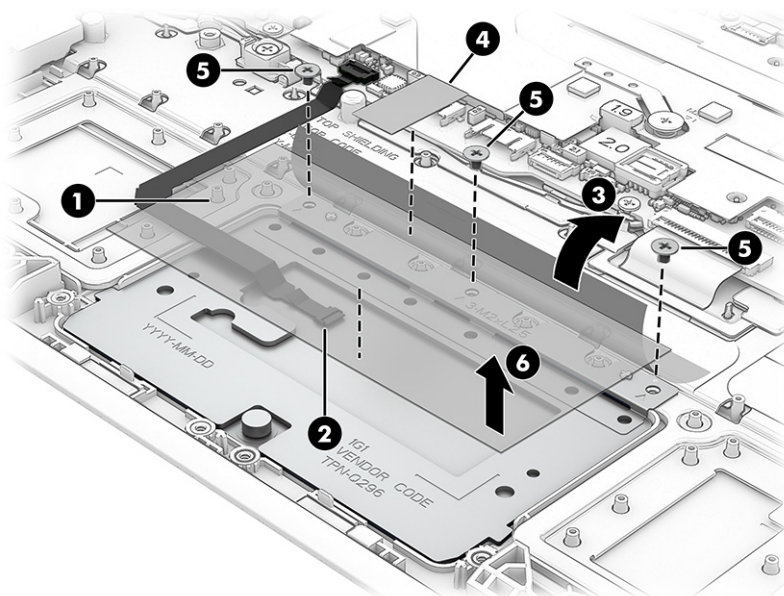
1. Prepare the computer for disassembly (see [Preparation for disassembly on page 28](#)).
2. Remove the bottom cover (see [Bottom cover on page 28](#)).
3. Remove the battery (see [Battery on page 29](#)).

Remove the touchpad:

1. Remove the four Phillips M2.0 × 2.5 screws (1) from the touchpad bracket, and then remove the bracket (2).



2. Remove the tape (1) from the touchpad.
3. Disconnect the cable from the ZIF connector (2) on the touchpad.
4. Lift the protective tape (3) that covers the screws at the top of the touchpad.
5. Remove gray conductive tape (4) from touchpad.
6. Remove the three Phillips M2.0 × 2.5 screws (5) from the touchpad.
7. Remove the touchpad (6) from the computer.



- When installing the touchpad and bracket, be sure that the rubber bumper is installed on the bottom of the touchpad bracket in the location shown in the following illustration.




To install the touchpad, reverse this procedure.

WLAN module

To remove the WLAN module, use this procedure and illustration.

Table 5-4 WLAN module description and part number

| Description | Spare part number |
|--|-------------------|
| Intel AX211 Wi-Fi 6E Bluetooth 5.3 WLAN | N85418-001 |
| MediaTek MT7921 Wi-Fi 6 + Bluetooth 5.3 | N85419-001 |
| WLAN module bracket (available in the Bracket Kit) | N85029-001 |

 **IMPORTANT:** To prevent an unresponsive system, replace the wireless module only with a wireless module authorized for use in the computer by the governmental agency that regulates wireless devices in your country or region. If you replace the module and then receive a warning message, remove the module to restore device functionality, and then contact technical support.

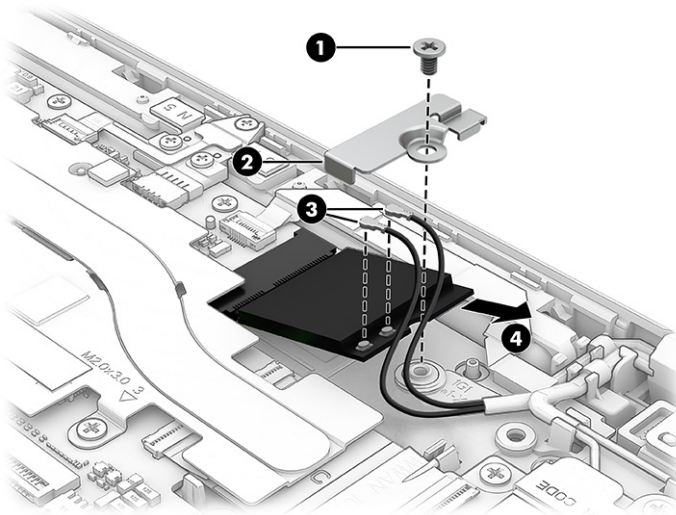
Before removing the WLAN module, follow these steps:

1. Prepare the computer for disassembly ([Preparation for disassembly on page 28](#)).
2. Remove the bottom cover (see [Bottom cover on page 28](#)).
3. Disconnect the battery cable from the system board (see [Battery on page 29](#)).

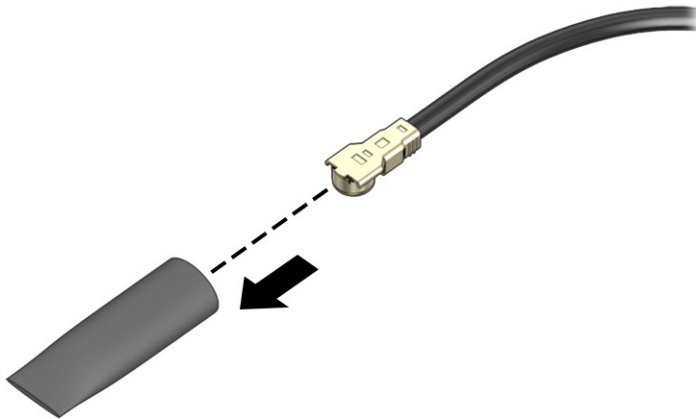
Remove the WLAN module:

1. Remove the Phillips M2.0 × 3.0 screw **(1)** that secures from the bracket on the WLAN module, and then remove the bracket **(2)**.
2. Disconnect the antenna cables **(3)** from the module terminals.
3. Remove the module **(4)** by pulling the it away from the slot at an angle.

 **NOTE:** WLAN modules are notched to prevent incorrect installation.



4. If the WLAN antenna is not connected to the terminal on the WLAN module, install a protective sleeve on the antenna connector, as shown in the following illustration.



To install the WLAN module, reverse this procedure.

WWAN module

To remove the WWAN module, use this procedure and illustration.

Table 5-5 WWAN module descriptions and part numbers

| Description | Spare part number |
|--|-------------------|
| WWAN module (Qualcomm Snapdragon X12 LTE-Advanced [CAT 6]) | N85420-001 |
| WLAN module bracket (available in the Bracket Kit) | N85029-001 |

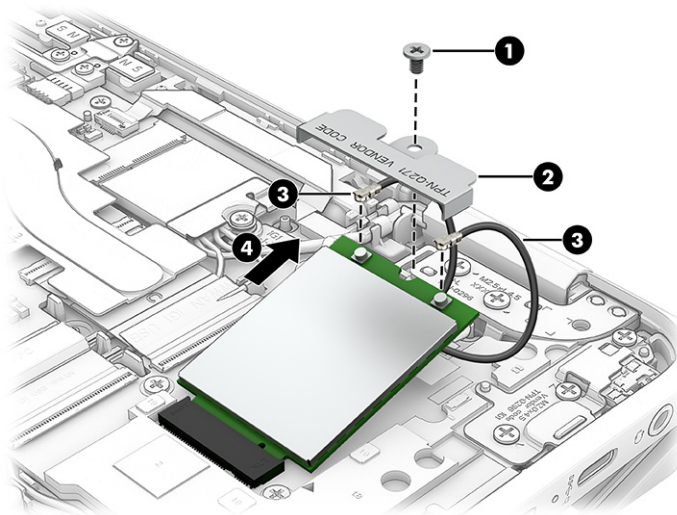
IMPORTANT: To prevent an unresponsive system, replace the wireless module only with a wireless module authorized for use in the computer by the governmental agency that regulates wireless devices in your country or region. If you replace the module and then receive a warning message, remove the module to restore device functionality, and then contact technical support.

Before removing the WWAN module, follow these steps:

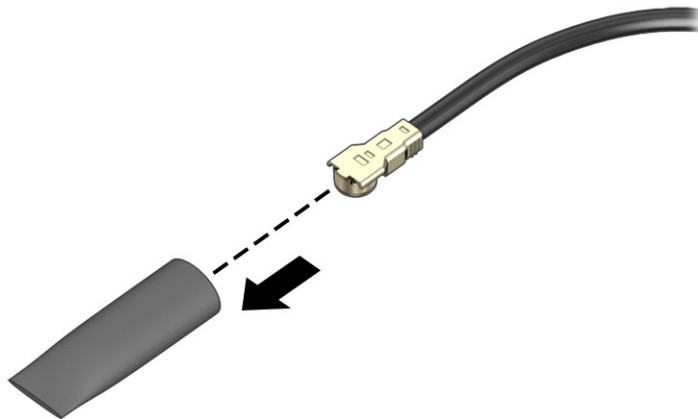
1. Prepare the computer for disassembly ([Preparation for disassembly on page 28](#)).
2. Remove the bottom cover (see [Bottom cover on page 28](#)).
3. Disconnect the battery cable from the system board (see [Battery on page 29](#)).

Remove the WWAN module:

1. Remove the Phillips M2.0 × 3.0 screw **(1)** that secures the bracket on the WWAN module, and then remove the bracket **(2)**.
2. Disconnect the antenna cables **(3)** from the terminals on the WWAN module.
3. Remove the WWAN module **(4)** by pulling the module away from the slot at an angle.



4. If the WWAN antenna is not connected to the terminal on the WWAN module, a protective sleeve must be installed on the antenna connector, as shown in the following illustration.



To install the WWAN module, reverse this procedure.

USB board

To remove the USB board, use these procedures and illustrations.

Table 5-6 USB board description and part number

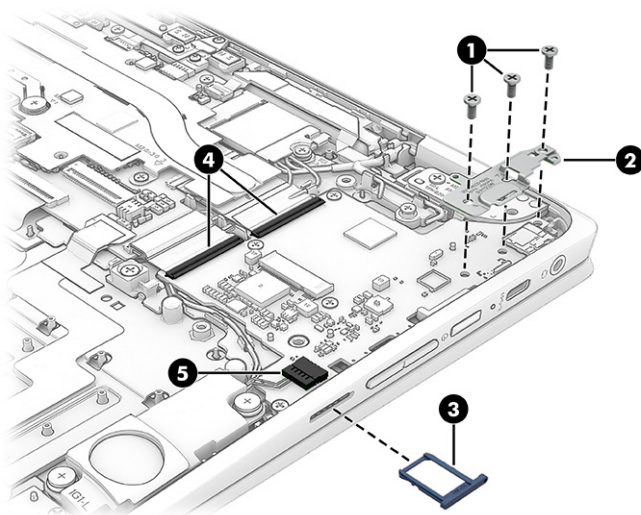
| Description | Spare part number |
|--|-------------------|
| USB board, models with WWAN | N85017-001 |
| USB board, models without WWAN | N85016-001 |
| SIM card tray, gray | N91923-001 |
| SIM card tray, cosmic blue | N91924-001 |
| USB board bracket (available in the Bracket Kit) | N85029-001 |

Before removing the USB board, follow these steps:

1. Prepare the computer for disassembly ([Preparation for disassembly on page 28](#)).
2. Remove the bottom cover (see [Bottom cover on page 28](#)).
3. Disconnect the battery cable from the system board (see [Battery on page 29](#)).

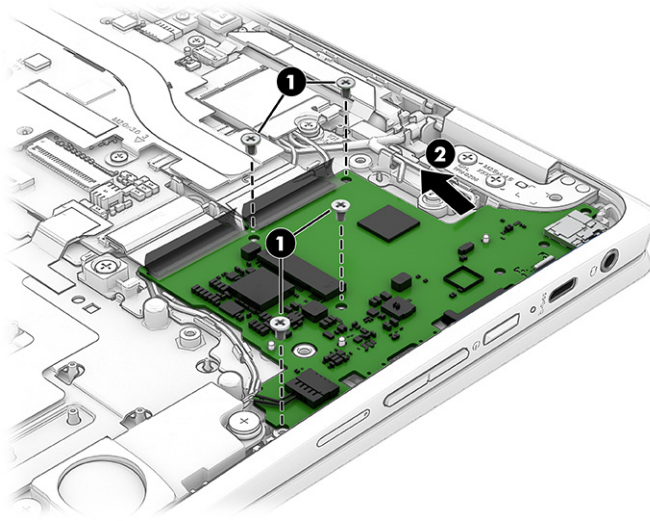
Remove the USB board:

1. Remove the three Phillips M2.0 × 5.0 screws **(1)** from the bracket on the board, and then remove the bracket **(2)**.
2. Remove the SIM card holder **(3)** on the side of the computer.
3. Disconnect the cables from the two reverse ZIF connectors **(4)** on the board.
4. Disconnect the speaker cable **(5)** from the board



5. Remove the four Phillips M2.0 × 3.0 screws **(1)** from the board.

- Lift inside of the board up, and then pull the board **(2)** into the computer to remove it.



To install the USB board, reverse this procedure.

Second camera module

To remove the second camera module, use these procedures and illustrations.

Table 5-7 Second camera module description and part number

| Description | Spare part number |
|----------------------|-------------------|
| Second camera module | N91928-001 |

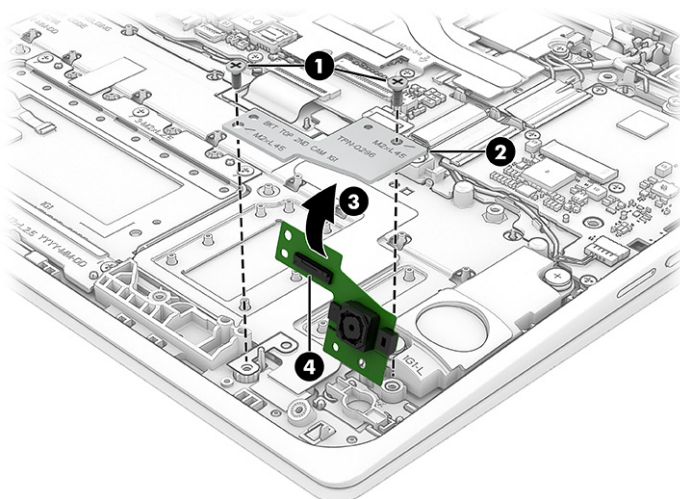
Before removing the second camera module, follow these steps:

- Prepare the computer for disassembly ([Preparation for disassembly on page 28](#)).
- Remove the bottom cover (see [Bottom cover on page 28](#)).
- Remove the battery (see [Battery on page 29](#)).

Remove the second camera module:

- Remove the two Phillips M2.0 × 3.0 screws **(1)** from the bracket over the module, and then remove the bracket **(2)**.
- Lift up the module **(3)** so you can access the connector underneath.

3. Disconnect the cable from the reverse ZIF connector **(4)** on the camera module.



To install the second camera module, reverse this procedure.

Pen charger

To remove the pen charger, use these procedures and illustrations.

Table 5-8 Pen charger description and part number

| Description | Spare part number |
|--------------------------------|-------------------|
| Pen charger (in the Cable Kit) | N85027-001 |

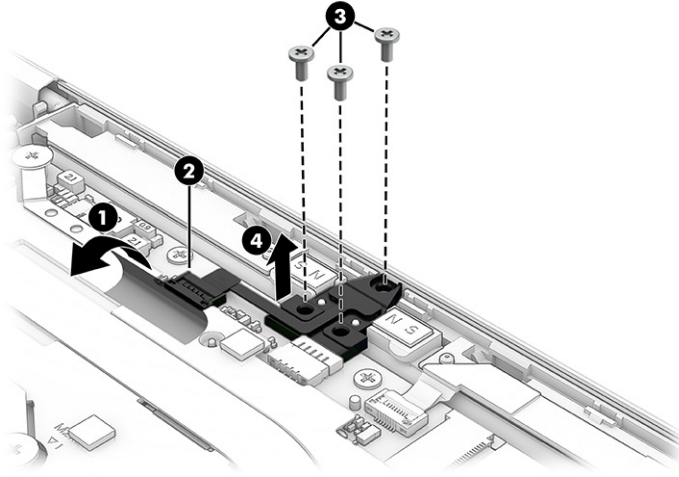
Before removing the pen charger, follow these steps:

1. Prepare the computer for disassembly ([Preparation for disassembly on page 28](#)).
2. Remove the bottom cover (see [Bottom cover on page 28](#)).
3. Disconnect the battery cable from the system board (see [Battery on page 29](#)).

Remove the pen charger:

1. Lift the tape **(1)** off the pen charger system board connector. The tape can remain attached to the system board.
2. Disconnect the cable **(2)** from the system board ZIF connector.
3. Remove the three Phillips M1.6 × 4.0 screws **(3)** from the charger.

4. Remove the charger (4) from the computer.



To install the pen charger, reverse this procedure.

Heat sink

To remove the heat sink, use these procedures and illustrations.

Table 5-9 Heat sink description and part number

| Description | Spare part number |
|---|-------------------|
| Heat sink (includes replacement thermal material) | N87095-001 |
| Heat sink thermal pad | M76797-001 |

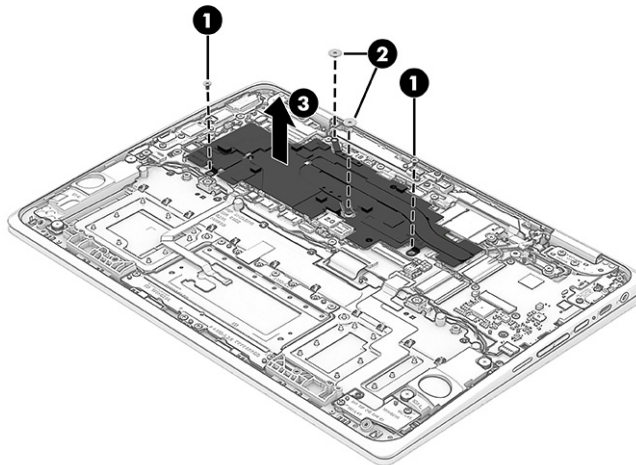
Before removing the heat sink, follow these steps:

1. Prepare the computer for disassembly ([Preparation for disassembly on page 28](#)).
2. Remove the bottom cover (see [Bottom cover on page 28](#)).
3. Disconnect the battery cable from the system board (see [Battery on page 29](#)).

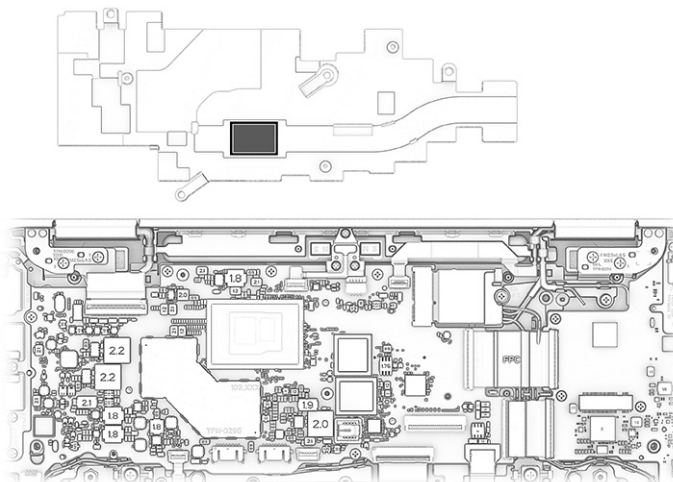
Remove the heat sink:

1. Remove the two Phillips M2.0 × 3.0 screws (1) and the two Phillips M2.0 × 2.0 broad head screws (2) that secure the heat sink to the system board.

- Remove the heat sink (3).



- Each time the heat sink is removed, thoroughly clean and replace the thermal material from the surface of the heat sink. Replacement thermal material is included with the heat sink and system board spare part kits.



Reverse this procedure to install the heat sink.

System board

To remove the system board, use these procedures and illustrations.

Table 5-10 System board descriptions and part numbers

| Description | Spare part number |
|---|-------------------|
| System board (includes the processor, replacement thermal material, and the Chrome operating system) | |
| NOTE: The system board bracket is available in the Bracket Kit as spare part number N85029-001. | |
| Intel N200 processor, 16 GB system memory, 128 GB UFS memory | N84329-001 |

Table 5-10 System board descriptions and part numbers (continued)

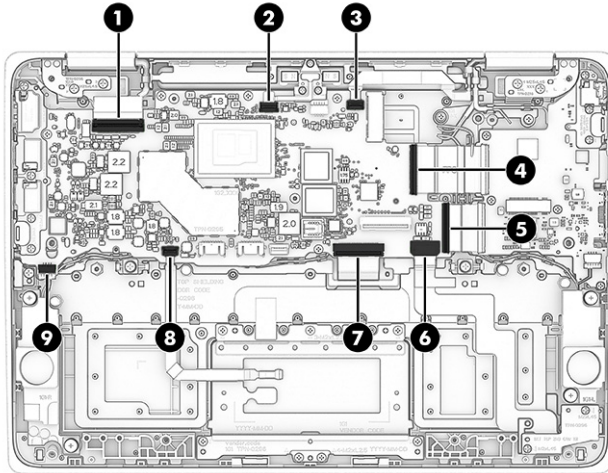
| Description | Spare part number |
|--|-------------------|
| Intel N200 processor, 16 GB system memory, 128 GB UFS memory (WWAN models) | N84331-001 |
| Intel N200 processor, 8 GB system memory, 64 GB eMMC memory | N84330-001 |
| Intel N100 processor, 16 GB system memory, 128 GB UFS memory | N84324-001 |
| Intel N100 processor, 8 GB system memory, 64 GB eMMC memory | N84327-001 |
| Intel N100 processor, 8 GB system memory, 64 GB eMMC memory (WWAN models) | N84328-001 |
| Intel N100 processor, 4 GB system memory, 32 GB eMMC memory | N84325-001 |
| Intel N100 processor, 4 GB system memory, 32 GB eMMC memory (WWAN models) | N84326-001 |

Before removing the system board, follow these steps:

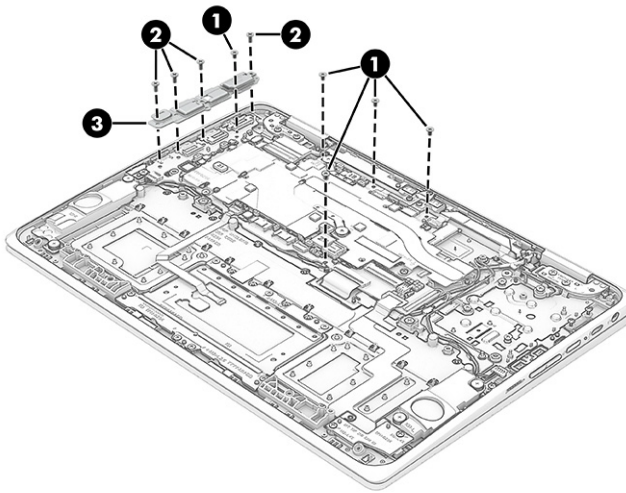
1. Prepare the computer for disassembly ([Preparation for disassembly on page 28](#)).
2. Remove the bottom cover (see [Bottom cover on page 28](#)).
3. Remove the battery (see [Battery on page 29](#)).
4. Remove the WLAN module (see [WLAN module on page 33](#)).
5. Remove the WWAN module (see [WWAN module on page 34](#)).

Remove the system board:

1. Disconnect the following cables from the system board:
 - Display cable (ZIF) **(1)**
 - Pen charger cable (ZIF) **(2)**
 - Display camera (ZIF) **(3)**
 - Daughter board cable (ZIF) from the USB board **(4)**
 - Daughter board cable (ZIF) from the USB board **(5)**
 - Second camera cable (ZIF) **(6)**
 - Keyboard cable (ZIF) **(7)**
 - Touchpad cable (ZIF) **(8)**
 - Speaker cable **(9)**

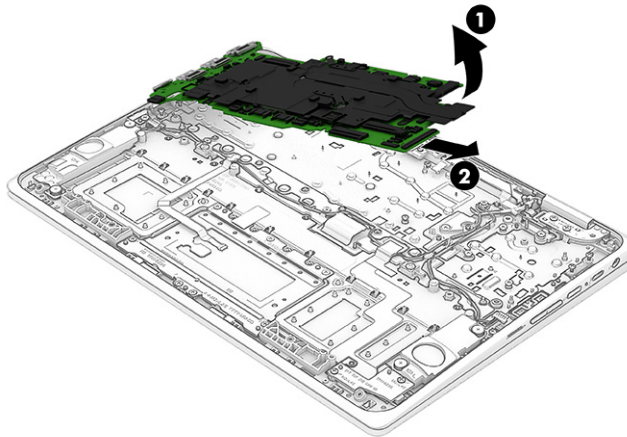


2. Remove the five Phillips M2.0 × 3.0 screws **(1)** that secure the system board to the computer.
3. Remove the four Phillips M2.0 × 4.5 screws **(2)** that secure the system board and USB bracket to the computer.
4. Remove the bracket **(3)** from the system board.



5. Lift the right side of the system board **(1)** until it rests at an angle.

6. Remove the system board (2) by pulling it right and out of the computer.



To install the system board, reverse this procedure.

Speakers

To remove the speakers, use this procedure and illustration.

Table 5-11 Speakers description and part number

| Description | Spare part number |
|---|-------------------|
| Speakers for use in models with WWAN | N91921-001 |
| Speakers for use in models without WWAN | N91922-001 |

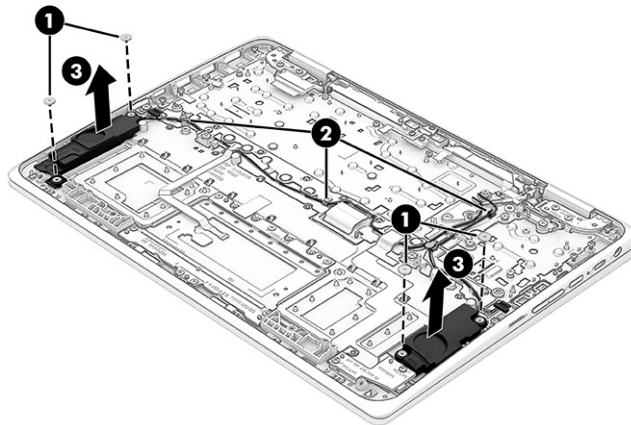
Before removing the speakers, follow these steps:

1. Prepare the computer for disassembly ([Preparation for disassembly on page 28](#)).
2. Remove the bottom cover (see [Bottom cover on page 28](#)).
3. Remove the battery (see [Battery on page 29](#)).
4. Remove the system board ([System board on page 40](#)).

Remove the speakers:

1. Remove the two Phillips M2.0 × 3.0 screws (1) from each speaker.
2. Remove the speaker cables from the routing clips (2) in the computer.

3. Remove the speakers (3) from the computer.



To install the speakers, reverse this procedure.

Lock bracket

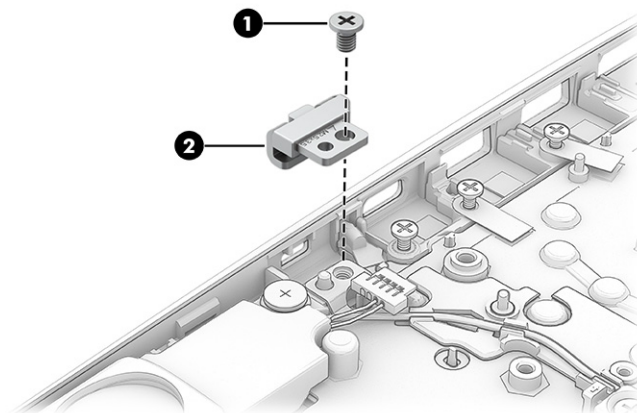
To remove the lock bracket, use these procedures and illustrations.

Before removing the lock bracket, follow these steps:

1. Prepare the computer for disassembly ([Preparation for disassembly on page 28](#)).
2. Remove the bottom cover (see [Bottom cover on page 28](#)).
3. Remove the battery (see [Battery on page 29](#)).
4. Remove the system board ([System board on page 40](#)).

Remove the lock bracket:


- Remove the Phillips M2.0 × 3.0 screw (1), and then remove the lock bracket (2).



To install the lock bracket, reverse this procedure.

Display assembly

To remove and disassemble the display assembly, use these procedures and illustrations.

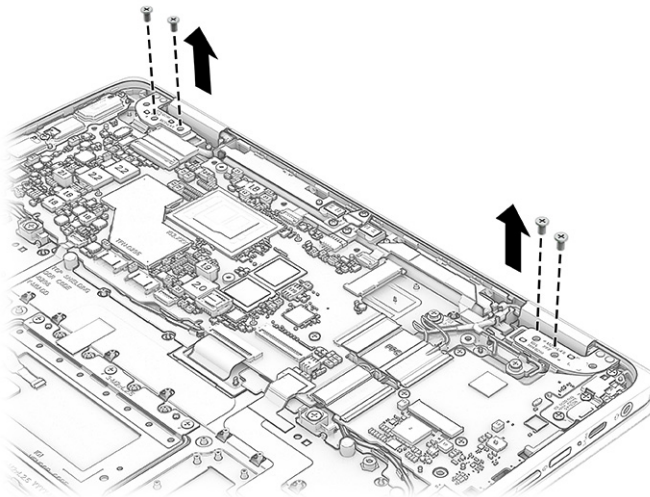
 **NOTE:** The display assembly is spared at the subcomponent level. For display assembly spare part information, see the individual removal subsections.

Before removing the display panel, follow these steps:

1. Prepare the computer for disassembly ([Preparation for disassembly on page 28](#)).
2. Remove the bottom cover (see [Bottom cover on page 28](#)).
3. Disconnect the battery cable from the system board (see [Battery on page 29](#)).

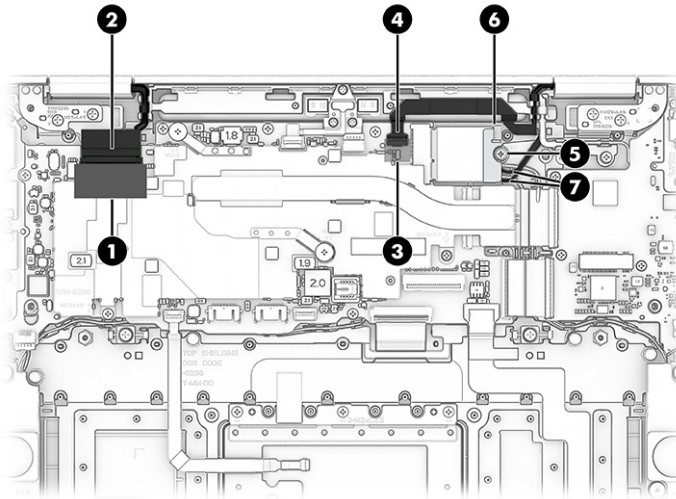
Remove the display assembly:

1. Remove the four Phillips M2.5 × 4.5 screws that secure the display assembly to the computer.

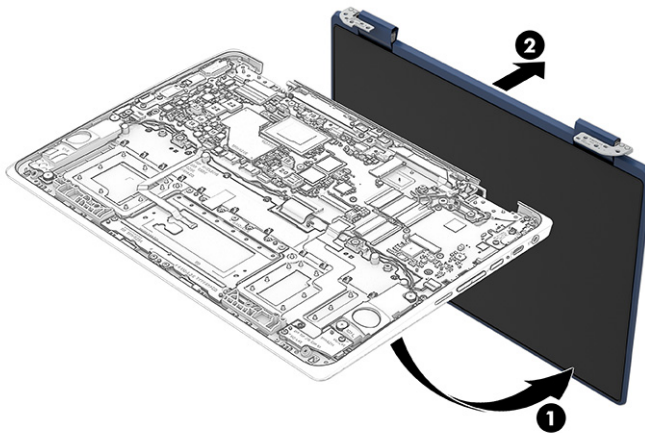


2. Lift the tape **(1)** that covers the display connector on the system board. You do not have to completely remove the tape.
3. Disconnect the display cable **(2)** from the ZIF connector on the system board.
4. Lift the tape **(3)** that covers the display camera connector on the system board. You do not have to completely remove the tape.
5. Disconnect the cable **(4)** from the ZIF connector on the system board.
6. Remove the Phillips M2.0 × 3.0 screw **(5)** that secures from the bracket on the WWAN module, and then remove the bracket **(6)**.

7. Disconnect the antenna cables (7) from the WWAN module.

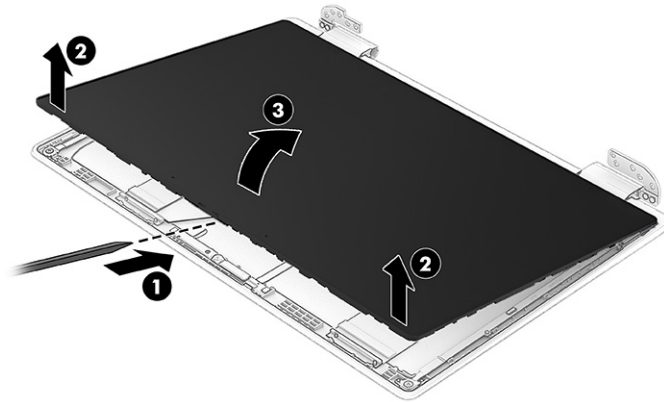


8. Open the display to 90° (1), and then separate the display (2) from the computer.

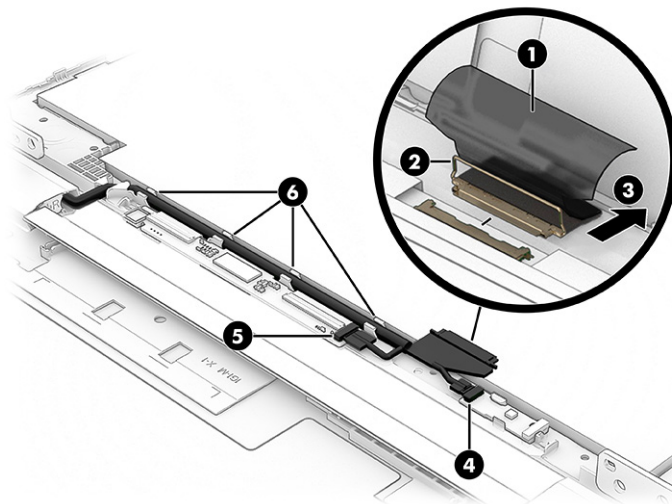


9. To remove the display panel from the display assembly:

- a. Insert a tool (1) into the seam above the panel. Along the top of the panel (2), lift to release the panel. Rotate and place the panel (3) next to the display rear cover.



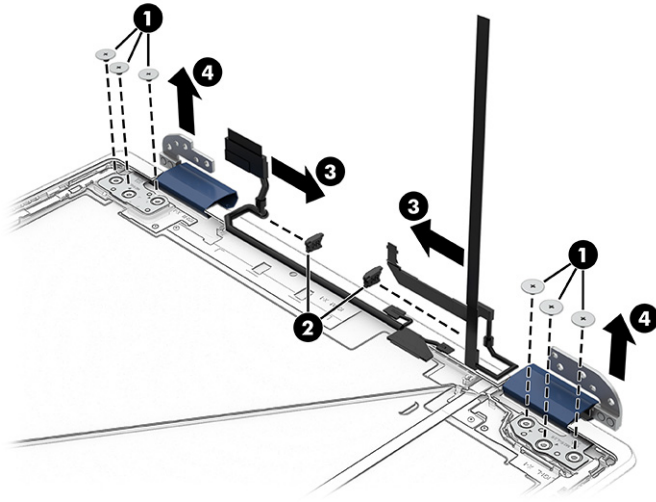
- b. Lift the conductive tape (1) from top of the connector on back of panel.
- c. Lift the locking bar (2).
- d. Disconnect the cable (3) from the display panel.
- e. Disconnect the cable from the sensor board (4).
- f. Disconnect the cable from the touch control board (5).
- g. Remove the cable (6) from the clips above the touch control board.



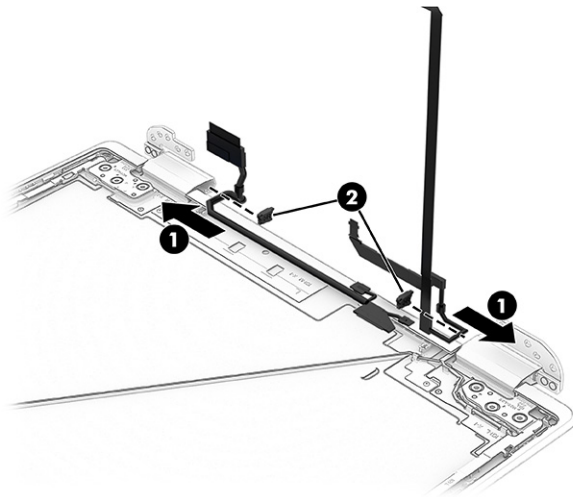
This display panel is available as spare part number N85421-001.

- 10. To remove the hinges from the display rear cover:
 - a. Remove the three Phillips M2.5 × 2.5 broad head screws (1) from each hinge.
 - b. Remove the rubber insert (2) from each hinge cover.
 - c. Remove the cables (3) from under each hinge cover.

- d. Remove the hinges (4) from the display back cover.



- e. When installing the hinges, be sure to insert the cables (1) into the hinges, and then insert the rubber pieces (2) into the hinges.

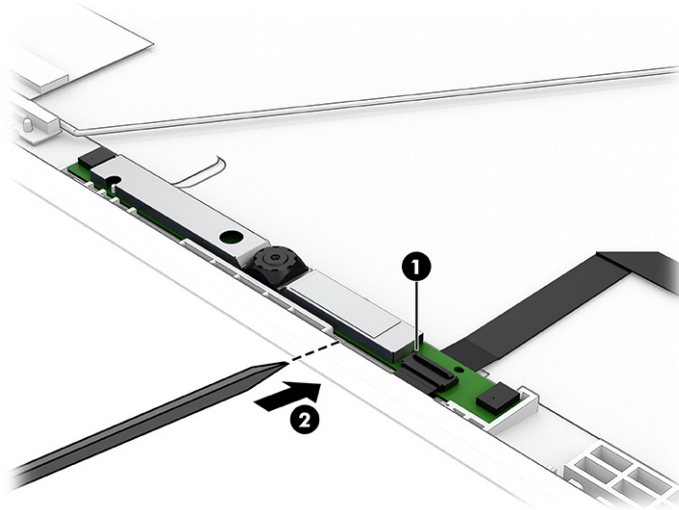


The display hinges are available as spare part number N85031-001 in flint gray and N93435-001 in cosmic blue.

- 11. To remove the camera module:

- a. Disconnect the cable from the ZIF connector (1) on the camera module.

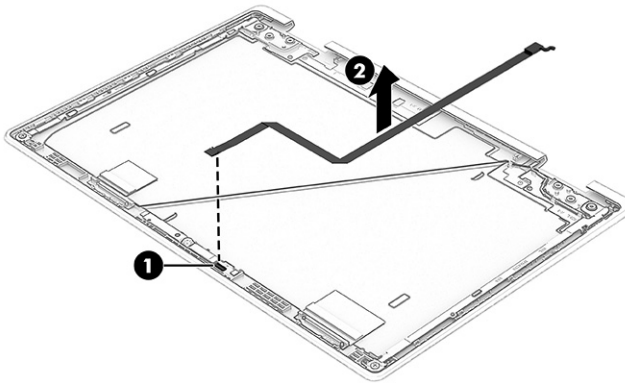
- b. Insert a thin pry tool under the module, and then pull the tool along the entire module **(2)** to release it.



The camera module is available as spare part number N85030-001.

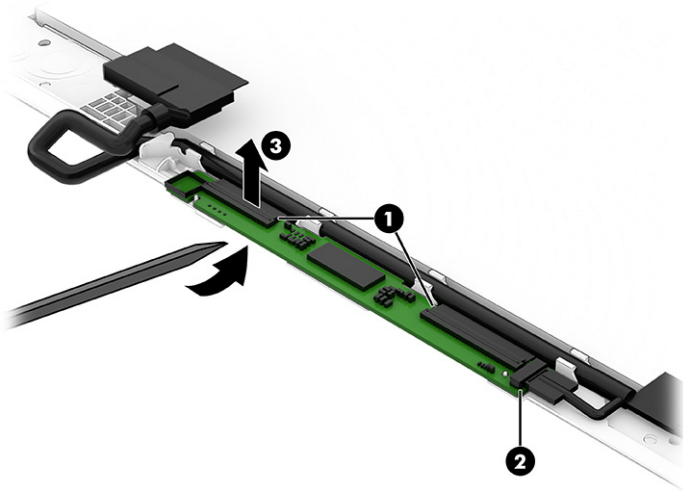
12. To remove the camera cable, disconnect the cable from the ZIF connector **(1)** on the camera module. Peel the cable **(2)** off the inside of the display rear cover.

The camera cable is available in the Cable Kit as spare part number N85027-001.



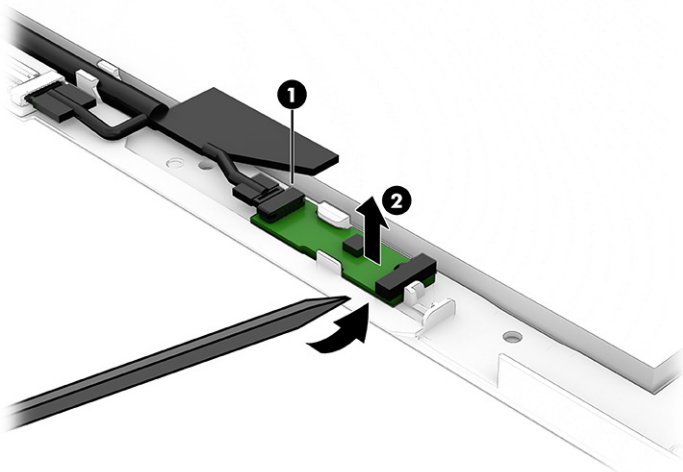
13. To remove the touch control board, disconnect the cables from the two large ZIF connectors **(1)** on the board. Disconnect the small cable **(2)** from the end of the board, and then use a tool **(3)** to release the board.

The touch control board is available as spare part number N91925-001-001.



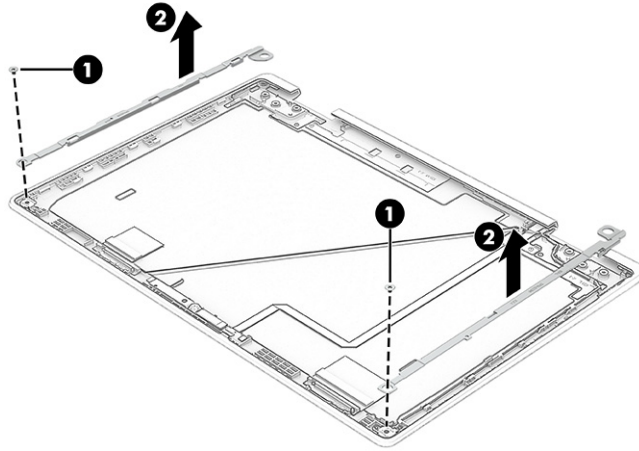
14. To remove the sensor board, disconnect the cable from the board (1), and then use a tool (2) to release the board.

The sensor board is available as spare part number M47234-001.

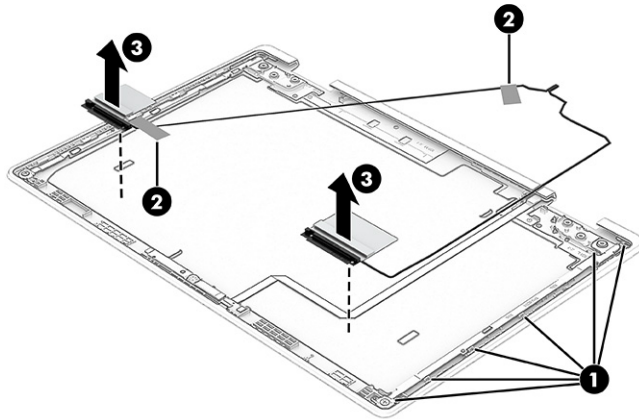


15. To remove the WWAN antennas and cables:

- a. Remove the Phillips M2.0 × 2.5 screw (1) from each side bracket on the display rear cover, and then remove the brackets (2).



- b. Release the cables from the clips (1) along the sides on the display rear cover, remove the tape (2) that secures the cables, and then peel the WWAN antennas (3) off the cover.



The WWAN wireless cables and antennas are available as spare part number N85024-001. The wireless cables and antennas are also included in the display rear cover spare part kit.

To reassemble and replace the display assembly, reverse these procedures.

Top cover with keyboard

The top cover with keyboard remains after removing all other spare parts from the computer. The first table provides the main spare part number for the top cover with keyboards. The second table provides the keyboard country codes.

Table 5-12 Top cover with keyboard descriptions and part numbers

| Description | Spare part number |
|---------------------------------------|-------------------|
| Flint gray, models with second camera | N91065-001 |

Table 5-12 Top cover with keyboard descriptions and part numbers (continued)

| Description | Spare part number |
|--|-------------------|
| Flint gray, models without second camera | N91066-001 |
| Flint gray, models with second camera, WWAN models | N91067-001 |
| Flint gray, models without second camera, WWAN models | N91068-001 |
| Flint gray, models with second camera and pen cradle | N91069-001 |
| Flint gray, models without second camera, with pen cradle | N91070-001 |
| Flint gray, models with second camera and pen cradle | N91072-001 |
| Flint gray, models without second camera, with pen cradle | N91071-001 |
| Cosmic blue, models with second camera | N91073-001 |
| Cosmic blue, models without second camera | N91074-001 |
| Cosmic blue, models with second camera, WWAN models | N91075-001 |
| Cosmic blue, models without second camera, WWAN models | N91076-001 |
| Cosmic blue, models with second camera and pen cradle | N91077-001 |
| Cosmic blue, models without second camera, with pen cradle | N91078-001 |
| Cosmic blue, models with second camera and pen cradle | N91079-001 |
| Cosmic blue, models without second camera, with pen cradle | N91080-001 |

Table 5-13 Spare part country codes

| For use in country or region | Spare part number | For use in country or region | Spare part number | For use in country or region | Spare part number |
|------------------------------|-------------------|------------------------------|-------------------|------------------------------|-------------------|
| Belgium | -A41 | Hungary | -211 | Saudi Arabia | -171 |
| Brazil | -201 | Iceland | -DD1 | Slovenia | -BA1 |
| Bulgaria | -261 | India | -D61 | South Korea | -AD1 |
| Chile | -161 | Israel | -BB1 | Spain | -071 |
| Czech Republic/Slovakia | -FL1 | Italy | -061 | Switzerland | -BG1 |
| Denmark | -081 | Japan | -291 | Taiwan | -AB1 |
| Denmark, Finland, and Norway | -DH1 | The Netherlands | -B31 | Thailand | -281 |
| French Canada | -DB1 | Northern Africa | -FP1 | Turkey | -141 |
| Finland/Sweden | -B71 | Norway | -091 | Turkey-F | -541 |
| France | -051 | Portugal | -131 | Ukraine | -BD1 |
| Germany | -041 | Romania | -271 | United Kingdom | -031 |
| Greece | -151 | Russia | -251 | United States | -001 |

6 Backing up, resetting, and recovering

This chapter provides information about the standard procedures of backing up your personal data, resetting your computer to original factory conditions, and recovering your operating system.

Backing up

You can back up your data to an optional USB flash drive or SD memory card or through Google Drive™.

For detailed information about creating a backup, go to <http://www.support.google.com>.

Resetting

A factory reset erases the information on your computer hard drive, including files in the Downloads folder. Before you reset, back up your files to an optional USB flash drive, to an SD memory card, or through Google Drive. The factory reset will not delete your files at these locations.

You might want to reset your computer in the following circumstances:

- You see the message "Reset this Chrome device."
- You are having problems with your user profile or settings.
- You restarted your computer, and it still doesn't work properly.
- You want to change the owner of your computer.

To reset your computer:

1. Under the **Settings** menu, select **Advanced**.
2. In the **Powerwash** section, select **Powerwash**.
3. Select **Restart**.
4. In the window that appears, select **Powerwash**, and then select **Continue**.
5. Follow the on-screen instructions to reset your computer, and sign in with your Google Account.





NOTE: The account you sign in with after you reset your computer is recognized as the owner account.

6. After you complete the reset, you can set up your computer and check to see whether the problem is fixed.

Recovering

When your ChromeOS™ doesn't work properly, you can perform a recovery. A recovery reinstalls the operating system, software programs, and original factory settings. It deletes locally saved files and saved networks for all accounts. A system recovery does not affect Google Accounts and data synced to Google Drive.

 **IMPORTANT:** Recovery permanently erases everything on your computer hard drive, including your downloaded files. If possible, back up your files before you recover your computer.

 **NOTE:** For more information about performing a system recovery on your computer, go to <http://www.support.google.com>.


Before you begin the recovery process, you need the following prerequisites:

- A USB flash drive or SD memory card with a capacity of 4 GB or greater. All data is erased from this storage device when the recovery media is created, so back up all files from the device before you begin.
- A computer with internet access. You must also have administrative rights to the computer.
- A computer AC adapter. The computer must be plugged into AC power during recovery.
- The “ChromeOS is missing or damaged” screen displaying on your computer. If this message is not already displayed:
 - Turn on the computer, press and hold the **esc+f3** keys, and then press the power button. The computer restarts, and the screen shows the “ChromeOS is missing or damaged” screen.

Option 1: Recovering using an internet connection

Use these instructions to recover the Chrome operating system on your computer without recovery media:

1. Disconnect any external devices connected to your computer, plug in the power cord, and then turn on the computer.
2. To enter recovery mode, press and hold the **esc+f3** keys, and then press the power button. When the “ChromeOS is missing or damaged” screen appears, select **Recover using internet connection** and follow the on-screen instructions.


 **NOTE:** The computer must have internet access.

3. When the “System Recovery is complete” message appears, reboot your computer.

The computer restarts with ChromeOS reinstalled.

Option 2: Installing the Chromebook Recovery Utility

The Chromebook™ Recovery Utility recovers the original operating system and software programs that were installed at the factory. You can install this utility from the Chrome Web Store on any computer.

 **NOTE:** Use this option if you do not have Internet access on your computer.

To install the Chromebook Recovery Utility:


- Open the Chrome Web Store, search for `chrome recovery`, select **Chromebook Recovery Utility** from the Apps list, and follow the on-screen instructions.

Creating recovery media


You can use recovery media to recover the original operating system and software programs that were installed at the factory.

To create recovery media:

1. Turn on a computer that has internet access.

 **NOTE:** You must have administrative rights to the computer.


2. Select the **Launcher** icon, and then select **All Apps**.
3. In the Apps window, select **Recovery**, and then select **Get started**.
4. Follow the on-screen instructions to create the recovery media.


 **NOTE:** All data and partitions on your recovery media will be deleted. Do not remove the USB flash drive or SD memory card until the process is complete.

Recovering the Chrome operating system with recovery media

Use these instructions to recover the Chrome operating system on your computer using the recovery media that you created.

1. Disconnect any external devices connected to your computer, plug in the power cord, and then turn on the computer.
2. To enter recovery mode, press and hold **esc+f3**, and then press the power button. When the “ChromeOS is missing or damaged” screen appears, insert the recovery media into your computer. The recovery process begins immediately.
3. Wait while Chrome verifies the integrity of the recovery media.

 **NOTE:** If you need to cancel the recovery during the verification process, press and hold the power button until the computer turns off. Do not disrupt the system recovery process after the verification step is complete.

 **NOTE:** If an error message is displayed, you might need to run the Chrome Recovery Utility again or use a different USB flash drive or SD memory card.

4. When the “System Recovery is complete” message appears, remove the recovery media.
The computer restarts with ChromeOS reinstalled.

Setting up your computer after a reset or recovery

After a reset or recovery is complete, perform the initial setup process.

For details about setting up the computer, go to <http://www.support.google.com>.

Erasing and reformatting the recovery media

When you create recovery media, the USB flash drive or SD memory card is formatted as a recovery tool. After recovery, you must erase the recovery media to reuse your storage device. Follow these steps to use the Chromebook Recovery Utility to erase the recovery media.

1. Select the **Launcher** icon, and then select **All Apps**.
2. In the apps window, select **Recovery**.
3. Select the **Settings** icon, and then select **Erase recovery media**.

4. Select the USB flash drive or SD memory card that you inserted, select **Continue**, and then select **Erase now**.
5. After the recovery media is erased, select **Done** to close the Chromebook Recovery Utility, and then remove the USB flash drive or SD memory card.

The media is ready to be formatted using a formatting tool provided by your operating system.


7 Statement of memory volatility

For general information regarding nonvolatile memory in HP business computers, and to restore nonvolatile memory that can contain personal data after the system has been turned off and the hard drive has been removed, use these instructions.

HP business computer products that use Intel®-based or AMD®-based system boards contain volatile DDR memory. The amount of nonvolatile memory present in the system depends upon the system configuration. Intel-based and AMD-based system boards contain nonvolatile memory subcomponents as originally shipped from HP, with the following assumptions:

- No subsequent modifications were made to the system.
- No applications, features, or functionality were added to or installed on the system.

Following system shutdown and removal of all power sources from an HP business computer system, personal data can remain on volatile system memory (DIMMs) for a finite period of time and also remains in nonvolatile memory. Use the following steps to remove personal data from the computer, including the nonvolatile memory found in Intel-based and AMD-based system boards.

 **NOTE:** If your tablet has a keyboard base, connect to the keyboard base before beginning steps in this chapter.

Current BIOS steps

Use these instructions to restore nonvolatile memory.

1. Follow these steps to restore the nonvolatile memory that can contain personal data. Restoring or reprogramming nonvolatile memory that does not store personal data is neither necessary nor recommended.


- a. Turn on or restart the computer, and then quickly press **esc**.

 **NOTE:** If the system has a BIOS administrator password, type the password at the prompt.

- b. Select **Main**, select **Apply Factory Defaults and Exit**, and then select **Yes** to load defaults. The computer restarts.
- c. During the restart, press **esc** while the "Press the ESC key for Startup Menu" message is displayed at the bottom of the screen.

 **NOTE:** If the system has a BIOS administrator password, type the password at the prompt.

- d. Select the **Security** menu, select **Restore Security Settings to Factory Defaults**, and then select **Yes** to restore security level defaults. The computer restarts.
- e. During the restart, press **esc** while the "Press the ESC key for Startup Menu" message is displayed at the bottom of the screen.

 **NOTE:** If the system has a BIOS administrator password, type the password at the prompt.

- f. If an asset or ownership tag is set, select the **Security** menu and scroll down to the **Utilities** menu. Select **System IDs**, and then select **Asset Tracking Number**. Clear the tag, and then make the selection to return to the prior menu.
- g. If a DriveLock password is set, select the **Security** menu, and scroll down to **Hard Drive Utilities** under the **Utilities** menu. Select **Hard Drive Utilities**, select **DriveLock**, and then clear the check box for **DriveLock password on restart**. Select **OK** to proceed.
- h. Select the **Main** menu, and then select **Reset BIOS Security to factory default**. Select **Yes** at the warning message. The computer restarts.
- i. During the restart, press **esc** while the "Press the ESC key for Startup Menu" message is displayed at the bottom of the screen.



NOTE: If the system has a BIOS administrator password, type the password at the prompt.


- j. Select the **Main** menu, select **Apply Factory Defaults and Exit**, select **Yes** to save changes and exit, and then select **Shutdown**.
 - k. Restart the system. If the system has a Trusted Platform Module (TPM), fingerprint reader, or both, one or two prompts will appear—one to clear the TPM and the other to Reset Fingerprint Sensor. Press or tap **f1** to accept or **f2** to reject.
 - l. Remove all power and system batteries for at least 24 hours.
2. Complete one of the following:
- Remove and retain the storage drive.
- or -
 - Clear the drive contents by using a third-party utility designed to erase data from an SSD.
- or -
 - Clear the contents of the drive by using the following BIOS Setup Secure Erase command option steps:



NOTE: If you clear data using Secure Erase, you cannot recover it.

- a. Turn on or restart the computer, and then quickly press **esc**.
- b. Select the **Security** menu and scroll down to the **esc** menu.
- c. Select **Hard Drive Utilities**.
- d. Under **Utilities**, select **Secure Erase**, select the hard drive storing the data you want to clear, and then follow the on-screen instructions to continue.
- or -
Clear the contents of the drive using the following Disk Sanitizer commands steps:
 - i. Turn on or restart the computer, and then quickly press **esc**.
 - ii. Select the **Security** menu and scroll down to the **Utilities** menu.
 - iii. Select **Hard Drive Utilities**.

- iv. Under **Utilities**, select **Disk Sanitizer**, select the hard drive with the data that you want to clear, and then follow the on-screen instructions to continue.

 **NOTE:** The amount of time it takes for Disk Sanitizer to run can take several hours. Plug the computer into an AC outlet before starting.

Nonvolatile memory usage

Use this table to troubleshoot nonvolatile memory usage.

Table 7-1 Troubleshooting steps for nonvolatile memory usage

| Description | Volatility description | Storage user data | How to erase |
|--|---|-------------------|---|
| Primary storage device, holds the OS, applications, and application settings | Non-volatile, 8-256 GB of eMMC or NVMe SSD storage, removable | Yes ¹ | Follow instructions below under "Erase the Primary Storage Device" |
| System memory (RAM), holds transient data during system operation | Volatile, SODIMM socket. Removable (4 GB/8 GB/16 GB) | Yes | Unplug unit from power |
| Permanent system BIOS settings | Non-volatile; 16 KB; stored | No ² | Follow instructions below under "Clearing BIOS Settings" |
| System boot ROM (BIOS) | Non-volatile memory, 128 Mbit (16 MB) socketed, removable | No | Download the latest BIOS for your model from the HP website and follow the instructions to flash the BIOS that are on the website |
| RTC (CMOS) RAM | Volatile memory, 256 bytes located in AMD embedded System on Chip (SoC) | No | Unplug unit from main power, remove top cover and press Clear CMOS button |
| Keyboard/mouse (ROM) | Non-volatile, 2 KB embedded in the super I/O controller (SIO2) | Yes | N/A |
| Keyboard/mouse (RAM) | Volatile, 256 bytes embedded in the super I/O controller (SIO2) | No | Unplug unit from main power |
| LOM EEPROM | Non-volatile, 2 MB embedded in LAN controller | No | N/A |
| Trusted Platform Module (TPM) | Non-volatile; 51 KB ROM for firmware and 38 KB system parametric data | No ³ | Follow instructions below under "Clearing TPM" |

¹ Under typical operation, the only user data stored on the primary storage device are preferences for device configuration and settings for connections. However, the administrator can configure the system to allow users to store data locally.

² Only user data potentially stored in BIOS Settings are the ownership and asset tags, administrator password, and startup password.

³ The Trusted Platform Module may contain encrypted passwords or certificates generated from user or administrator input.

Questions and answers

Use this section to answer your questions about nonvolatile memory.

1. How can the BIOS settings be restored (returned to factory settings)?



IMPORTANT: The restore defaults feature does not securely erase any information on your hard drive. See question and answer 6 for steps to securely erase information.

The restore defaults feature does not reset the Custom Secure Boot keys. See question and answer 7 for information about resetting the keys.

- a. Turn on or restart the computer, and then quickly press **esc**.
- b. Select **Main**, and then select **Apply Factory Defaults and Exit**.
- c. Follow the on-screen instructions.
- d. Select **Main**, select **Save Changes and Exit**, and then follow the on-screen instructions.

2. What is a UEFI BIOS, and how is it different from a legacy BIOS?

The Unified Extensible Firmware Interface (UEFI) BIOS is an industry-standard software interface between the platform firmware and an operating system (OS). It replaces the older BIOS architecture but supports much of the legacy BIOS functionality.

Like the legacy BIOS, the UEFI BIOS provides an interface to display the system information and configuration settings and to change the configuration of your computer before an OS is loaded. BIOS provides a secure runtime environment that supports a Graphic User Interface (GUI). In this environment, you can use either a pointing device (touch screen, touchpad, pointing stick, or USB mouse) or the keyboard to navigate and make menu and configuration selections. The UEFI BIOS also contains basic system diagnostics.

The UEFI BIOS provides functionality beyond that of the legacy BIOS. In addition, the UEFI BIOS works to initialize the computer's hardware before loading and executing the OS; the runtime environment allows the loading and execution of software programs from storage devices to provide more functionality, such as advanced hardware diagnostics (with the ability to display more detailed system information) and advanced firmware management and recovery software.

HP has provided options in Computer Setup (BIOS) to allow you to run in legacy BIOS, if required by the operating system. Examples of this requirement would be if you upgrade or downgrade the OS.

3. Where is the UEFI BIOS located?

The UEFI BIOS is located on a flash memory chip. You must use a utility to write to the chip.

4. What kind of configuration data is stored on the DIMM Serial Presence Detect (SPD) memory module? How would this data be written?

The DIMM SPD memory contains information about the memory module, such as size, serial number, data width, speed and timing, voltage, and thermal information. This information is written by the module manufacturer and stored on an EEPROM. You cannot write to this EEPROM when the memory module is installed in a computer. Third-party tools do exist that can write to the EEPROM when the memory module is not installed in a computer. Various third-party tools are available to read SPD memory.

5. What is meant by "Restore the nonvolatile memory found in Intel-based system boards"?

This message relates to clearing the Real Time Clock (RTC) CMOS memory that contains computer configuration data.

6. How can the BIOS security be reset to factory defaults and erase the data?



IMPORTANT: Resetting results in the loss of information.

These steps do not reset Custom Secure Boot Keys. See question and answer 7 for information about resetting the keys.

- a. Turn on or restart the computer, and then quickly press **esc**.
- b. Select **Main**, and then select **Reset Security to Factory Defaults**.
- c. Follow the on-screen instructions.
- d. Select **Main**, select **Save Changes and Exit**, and then follow the on-screen instructions.

7. How can the Custom Secure Boot Keys be reset?

Secure Boot is a feature to ensure that only authenticated code can start on a platform. If you enabled Secure Boot and created Custom Secure Boot Keys, disabling Secure Boot does not clear the keys. You must also select to clear the Custom Secure Boot Keys. Use the same Secure Boot access procedure that you used to create the Custom Secure Boot Keys, but select to clear or delete all Secure Boot Keys.

- a. Turn on or restart the computer, and then quickly press **esc**.
- b. Select the **Security** menu, select **Secure Boot Configuration**, and then follow the on-screen instructions.
- c. At the **Secure Boot Configuration** window, select **Secure Boot**, select **Clear Secure Boot Keys**, and then follow the on-screen instructions to continue.

Using HP Sure Start (select products only)

Select computer models are configured with HP Sure Start, a technology that continuously monitors your computer's BIOS for attacks or corruption.

If the BIOS becomes corrupted or is attacked, HP Sure Start restores the BIOS to its previously safe state, without user intervention. Those select computer models ship with HP Sure Start configured and enabled. HP Sure Start is configured and already enabled so that most users can use the HP Sure Start default configuration. Advanced users can customize the default configuration.

To access the latest documentation on HP Sure Start, go to <http://www.hp.com/support>.

8 Specifications

This chapter provides specifications for your computer system.

Computer specifications

This section provides specifications for your computer. When traveling with your computer, the computer dimensions and weights, input power ratings, and operating specifications provide helpful information.

Table 8-1 Computer specifications

| | Metric | U.S. |
|--|---|---------------------|
| Dimensions | | |
| Width | 295.0 mm | 11.6 in |
| Depth | 204.4 mm | 8.1 in |
| Height (front) | 4.8 mm | 0.2 in |
| Height (rear) | 21.0 mm | 0.8 in |
| Weight | | |
| | 1.46 kg | 3.2 lb |
| Input power | | |
| Operating voltage and current | 5 V DC @ 2 A / 12 V DC @ 3 A / 15 V DC @ 3 A - 45 W USB-C | |
| | 5 V DC @ 3 A / 9 V DC @ 3 A / 12 V DC @ 3.75 A / 15 V DC @ 3 A - 45 W USB-C | |
| | 5 V DC @ 3 A / 9 V DC @ 3 A / 10 V DC @ 3.75 A / 12 V DC @ 3.75 A / 15 V DC @ 3 A / 20 V DC @ 2.25 A - 45 W USB-C | |
| Temperature | | |
| Operating | 5°C to 35°C | 41°F to 95°F |
| Nonoperating | -20°C to 60°C | -4°F to 140°F |
| Relative humidity (noncondensing) | | |
| Operating | 10% to 90% | |
| Nonoperating | 5% to 95% | |
| Maximum altitude (unpressurized) | | |
| Operating | -15 m to 3,048 m | -50 ft to 10,000 ft |
| Nonoperating | -15 m to 12,192 m | -50 ft to 40,000 ft |



NOTE: Applicable product safety standards specify thermal limits for plastic surfaces. The device operates well within this range of temperatures.

29.5 cm (11.6 in) display specifications

This section provides specifications for your display.

Table 8-2 Display specifications

| | Metric | U.S. |
|-------------------------|-------------------------|-------------|
| Active diagonal size | 29.5 cm | 11.6 in |
| Resolution | 1366 × 768 (HD) | |
| Surface treatment | Antiglare BrightView | |
| Brightness | 250 nits | |
| Viewing angle | UWVA | |
| Backlight | LED | |
| Display panel interface | eDP | |

9 Power cord set requirements

This chapter provides power cord requirements for countries and regions.

The wide-range input feature of the computer permits it to operate from any line voltage from 100 V AC to 120 V AC, or from 220 V AC to 240 V AC.

The three-conductor power cord set included with the computer meets the requirements for use in the country or region where the equipment is purchased.

Power cord sets for use in other countries or regions must meet the requirements of the country and region where the computer is used.

Requirements for all countries

These power cord requirements are applicable to all countries and regions.

- The length of the power cord set must be at least **1.0 m** (3.3 ft) and no more than **2.0 m** (6.5 ft).
- All power cord sets must be approved by an acceptable accredited agency responsible for evaluation in the country or region where the power cord set will be used.
- The power cord sets must have a minimum current capacity of 10 A and a nominal voltage rating of 125 V AC or 250 V AC, as required by the power system of each country or region.
- The appliance coupler must meet the mechanical configuration of an EN 60 320/IEC 320 Standard Sheet C13 connector for mating with the appliance inlet on the back of the computer.

Requirements for specific countries and regions

To determine power cord requirements for specific countries and regions, use this table.

Table 9-1 Power cord requirements for specific countries and regions

| Country/region | Accredited agency | Applicable note number |
|----------------|-------------------|------------------------|
| Argentina | IRAM | 1 |
| Australia | SAA | 1 |
| Austria | OVE | 1 |
| Belgium | CEBEC | 1 |
| Brazil | ABNT | 1 |
| Canada | CSA | 2 |
| Chile | IMQ | 1 |
| Denmark | DEMKO | 1 |
| Finland | FIMKO | 1 |
| France | UTE | 1 |

Table 9-1 Power cord requirements for specific countries and regions (continued)

| Country/region | Accredited agency | Applicable note number |
|----------------------------|-------------------|------------------------|
| Germany | VDE | 1 |
| India | BIS | 1 |
| Israel | SII | 1 |
| Italy | IMQ | 1 |
| Japan | JIS | 3 |
| Netherlands | KEMA | 1 |
| New Zealand | SANZ | 1 |
| Norway | NEMKO | 1 |
| People's Republic of China | CCC | 4 |
| Saudi Arabia | SASO | 7 |
| Singapore | PSB | 1 |
| South Africa | SABS | 1 |
| South Korea | KTL | 5 |
| Sweden | SEMKO | 1 |
| Switzerland | SEV | 1 |
| Taiwan | BSMI | 6 |
| Thailand | TISI | 1 |
| United Kingdom | ASTA | 1 |
| United States | UL | 2 |

1. The flexible cord must be Type H05VV-F, three-conductor, 0.75 mm² conductor size. Power cord set fittings (appliance coupler and wall plug) must bear the certification mark of the agency responsible for evaluation in the country or region where it will be used.
2. The flexible cord must be Type SVT/SJT or equivalent, No. 18 AWG, three-conductor. The wall plug must be a two-pole grounding type with a NEMA 5-15P (15 A, 125 V AC) or NEMA 6-15P (15 A, 250 V AC) configuration. CSA or C-UL mark. UL file number must be on each element.
3. The appliance coupler, flexible cord, and wall plug must bear a T mark and registration number in accordance with the Japanese Dentori Law. The flexible cord must be Type VCTF, three-conductor, 0.75 mm² or 1.25 mm² conductor size. The wall plug must be a two-pole grounding type with a Japanese Industrial Standard C8303 (7 A, 125 V AC) configuration.
4. The flexible cord must be Type RVV, three-conductor, 0.75 mm² conductor size. Power cord set fittings (appliance coupler and wall plug) must bear the CCC certification mark.
5. The flexible cord must be Type H05VV-F three-conductor, 0.75 mm² conductor size. KTL logo and individual approval number must be on each element. Approval number and logo must be printed on a flag label.
6. The flexible cord must be Type HVCTF three-conductor, 1.25 mm² conductor size. Power cord set fittings (appliance coupler, cable, and wall plug) must bear the BSMI certification mark.
7. For 127 V AC, the flexible cord must be Type SVT or SJT 3-conductor, 18 AWG, with plug NEMA 5-15P (15 A, 125 V AC), with UL and CSA or C-UL marks. For 240 V AC, the flexible cord must be Type H05VV-F three-conductor, 0.75 mm² or 1.00 mm² conductor size, with plug BS 1363/A with BSI or ASTA marks.

10 Recycling

When a nonrechargeable or rechargeable battery has reached the end of its useful life, do not dispose of the battery in general household waste. Follow the local laws and regulations in your area for battery disposal.

HP encourages customers to recycle used electronic hardware, HP original print cartridges, and rechargeable batteries. For more information about recycling programs, see the HP website at <http://www.hp.com/recycle>.

Index

A

- AC adapter light 3, 5
- AC adapter, spare part numbers 16
- action keys
 - identifying 8
- audio-in (microphone) jack, identifying 4
- audio-out (headphone) jack, identifying 4
- audio, product description 1

B

- backing up 53
- battery
 - illustrated 14
 - light 3, 5
 - removal and replacement 29
 - spare part number 14
 - spare part numbers 29
- Bluetooth label 9
- bottom cover
 - illustrated 14
 - removal 28
 - spare part number 14, 28
- buttons
 - power 5

C

- camera 6, 7
 - identifying 6, 7
 - illustrated 15
 - spare part numbers 15
- camera light, identifying 7
- camera module
 - removal 37
 - spare part number 37
- camera privacy cover, identifying 7
- caring for your computer 23
- cautions
 - electrostatic discharge 19, 20
- Chromebook major components 12
- Chromebook Recovery Utility, installing 54
- cleaning your computer 23

- caring for wood veneer 25
- disinfecting 24
- HP Easy Clean 23
- removing dirt and debris 23
- components
 - bottom 9
 - display 6
 - keyboard area 7
 - left side 4
 - right side 3
- computer specifications 62
- connector, power 3, 5

D

- digital pen
 - identifying 7
- display
 - specifications 62, 63
- display assembly
 - illustrated 13
 - subcomponents 14
- display back cover
 - illustrated 16
 - spare part number 16
- display cable
 - illustrated 15
 - spare part number 15
- display panel
 - illustrated 15
 - spare part numbers 15

E

- electrostatic discharge (ESD) 19, 20
 - preventing damage 19-21
- esc key, identifying 8

G

- graphics, product description 1
- grounding methods 19-21
- guidelines
 - packaging 19, 25
 - transporting 19, 25
 - workstation 19

H

- hard drive
 - product description 1
 - specifications 62
- HDMI port, identifying 4
- headphone (audio-out) jack 4
- heat sink
 - illustrated 14
 - removal 39
 - spare part number 14, 39
- hinge
 - illustrated 15
 - spare part number 15
- HP Sure Start 57, 61

I

- illustrated parts catalog 12
- internal microphones, identifying 6

J

- jacks
 - audio-in (microphone) 4
 - audio-out (headphone) 4

K

- keyboard
 - product description 2
- keyboard country codes 51
- keys
 - esc 8

L

- labels
 - Bluetooth 9
 - regulatory 9
 - serial number 9
 - service 9
 - wireless certification 9
 - WLAN 9
- lights
 - AC adapter and battery 3, 5
 - camera 7
- lock bracket
 - removal 44
 - spare part number 44

- M**
 - memory
 - nonvolatile 57
 - volatile 57
 - memory module
 - product description 1
 - microphone
 - product description 1
 - microphone (audio-in) jack, identifying 4
 - model name 1
- N**
 - nonvolatile memory 57
- O**
 - operating system, product description 2
- P**
 - packaging guidelines 19, 25
 - pen
 - identifying 7
 - pen charger
 - removal 38
 - spare part number 38
 - pointing device, product description 2
 - ports
 - HDMI 4
 - product description 1
 - USB SuperSpeed 4
 - USB Type-C power connector and port with HP Sleep and Charge 3, 5
 - power button, identifying 5
 - power connector
 - identifying USB Type-C 3, 5
 - power cord
 - requirements for all countries 64
 - requirements for specific countries and regions 64
 - set requirements 64
 - spare part numbers 17
 - power requirements, product description 2
 - primary storage
 - product description 1
 - processor
 - product description 1
 - product description
 - audio 1
 - graphics 1
 - hard drive 1
 - keyboard 2
 - memory module 1
 - microphone 1
 - operating system 2
 - pointing device 2
 - ports 1
 - power requirements 2
 - primary storage 1
 - processors 1
 - product name 1
 - serviceability 2
 - solid-state drive 1
 - video 1
 - wireless 1
 - product name 1
 - product name and number, computer 9
- R**
 - recovery media
 - creating 54
 - erase 55
 - recovery, performing 53
 - regulatory information
 - regulatory label 9
 - wireless certification labels 9
 - removal
 - speaker 43
 - removal and replacement
 - battery 29
 - procedures 28
 - touchpad 31
 - removing personal data from
 - volatile system memory 57
 - resetting 53
- S**
 - second camera module
 - removal 37
 - spare part number 37
 - security cable slot, identifying 3
 - serial number, computer 9
 - service labels, locating 9
 - serviceability, product description 2
 - SIM card tray, identifying 6
 - slots
 - security cable 3
 - solid-state drive
 - product description 1
 - spare part numbers
 - battery 29
 - camera 15
 - display assembly
 - components 14
 - display back cover 16
 - display cable 15
 - display panel 15
 - hinges 15
 - speaker 43
 - touchpad 31
 - speaker
 - illustrated 14
 - removal 43
 - spare part number 14
 - spare part numbers 43
 - speakers, identifying 9
 - special keys 9
 - key lock 9
 - specifications
 - computer 62
 - display 62, 63
 - hard drive 62
 - static electricity 19, 20
 - support information 26
 - system board
 - illustrated 13
 - removal 40
 - spare part numbers 13, 40
 - system memory, removing
 - personal data from volatile 57
 - system recovery
 - Chrome operating system 55
 - Chromebook Recovery Utility 54
 - internet connection 54
 - recovery media 54
- T**
 - top cover
 - illustrated 13
 - spare part number 13
 - top cover with keyboard
 - spare part numbers 51
 - touchpad
 - illustrated 13
 - removal and replacement 31
 - spare part number 13
 - spare part numbers 31
 - touchpad zone, identifying 7
 - transporting guidelines 19, 25
 - traveling with the computer 9
- U**
 - USB board
 - illustrated 13

- removal 35
- spare part number 13, 35
- USB ports, identifying 4
- USB Type-C power connector and port with HP Sleep and Charge, identifying 3, 5

V

- video, product description 1
- volume button, identifying 5

W

- wireless certification label 9
- wireless, product description 1
- WLAN antennas, identifying 6, 9
- WLAN device 9
- WLAN label 9
- WLAN module
 - illustrated 14
 - removal 33
 - spare part number 14, 33
- workstation guidelines 19
- WWAN module
 - illustrated 14
 - removal 34
 - spare part number 14
 - spare part numbers 34