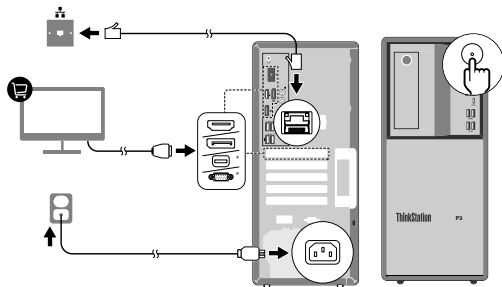




ThinkStation P3 Tower

Lenovo



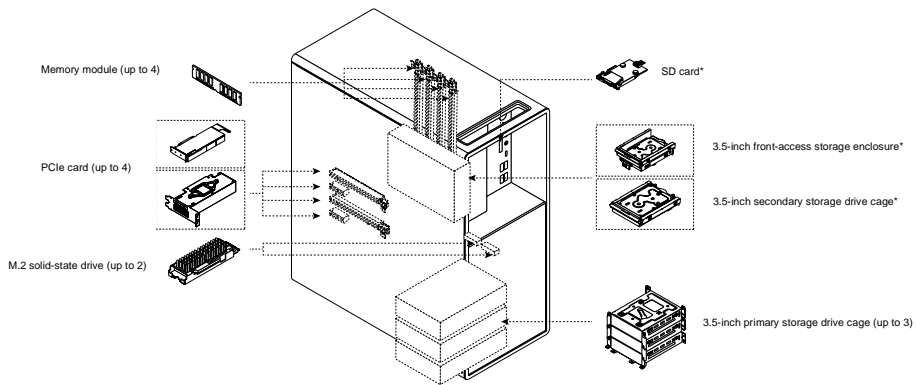
USB-A 3.2 Gen 1	USB-A 3.2 Gen 2	USB-A 3.2 Gen 2	HDMI™	DisplayPort™	Mini DisplayPort™*	VGA*	SD			USB-C® (3.2 Gen 2)
x6	x2									

Scan the *User Guide* QR code to learn more information about the product and the USB transfer rate.



* For selected models

Expansion Modules



In the 3.5-inch front-access storage enclosure or 3.5-inch storage drive cages, you can install 3.5-inch storage drive or 2.5-inch storage drive with a storage drive converter.

* For selected models

[English]

European Union (EU) / United Kingdom (UK) — radio frequency and power

This radio equipment operates with the following frequency bands and maximum radio-frequency power:

Technology	Frequency band [MHz]	Maximum transmit power
WLAN 802.11b/g/n/ax	2400 - 2483.5	< 20 dBm

Technology	Frequency band [MHz]	Maximum transmit power
WLAN 802.11a/n/ac/ax	5150 - 5725	< 23 dBm
WLAN 802.11a/n/ac/ax	5725 - 5875	< 13.98 dBm
WLAN 802.11ax	5945 - 6425	< 23 dBm
Bluetooth BR/EDR/LE	2400 - 2483.5	< 20 dBm

Note: Not all wireless bands may be enabled depending on your product configuration. Usage of this device is limited to indoor locations in the bands 5150 - 5350 MHz and 5945 - 6425 MHz.

First Edition (May 2023)

© Copyright Lenovo 2023.

LENOVO, LENOVO logo, THINKSTATION, and THINKSTATION logo are trademarks of Lenovo. Mini DisplayPort (mDP) and DisplayPort are trademarks of the Video Electronics Standards Association. The terms HDMI and HDMI High-Definition Multimedia Interface are trademarks or registered trademarks of HDMI Licensing LLC in the United States and other countries. USB-C is a registered trademark of USB Implementers Forum. All other trademarks are the property of their respective owners.

LIMITED AND RESTRICTED RIGHTS NOTICE: If data or software is delivered pursuant to a General Services Administration "GSA" contract, use, reproduction, or disclosure is subject to restrictions set forth in Contract No. GS-35F-05925.

Reduce
Reuse
Recycle

