

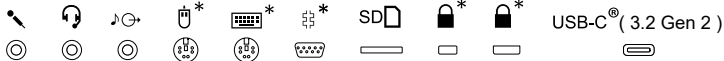
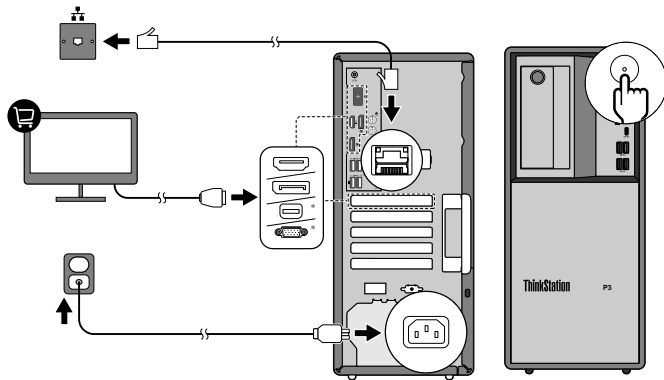


Lenovo
ThinkStation

ThinkStation P3 Tower



Lenovo



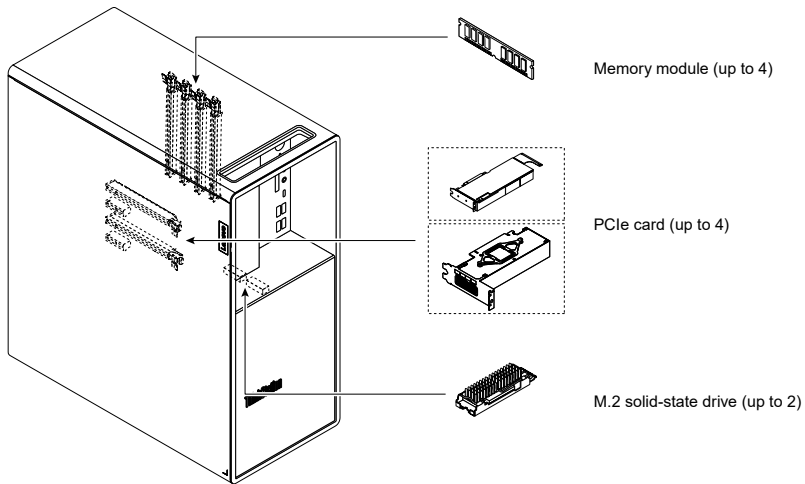
USB-A 3.2 Gen 1 USB-A 3.2 Gen 2 HDMI™ DisplayPort™ Mini DisplayPort™* VGA*
 [Icon] ×6 [Icon] ×2 [Icon] [Icon] [Icon] [Icon]

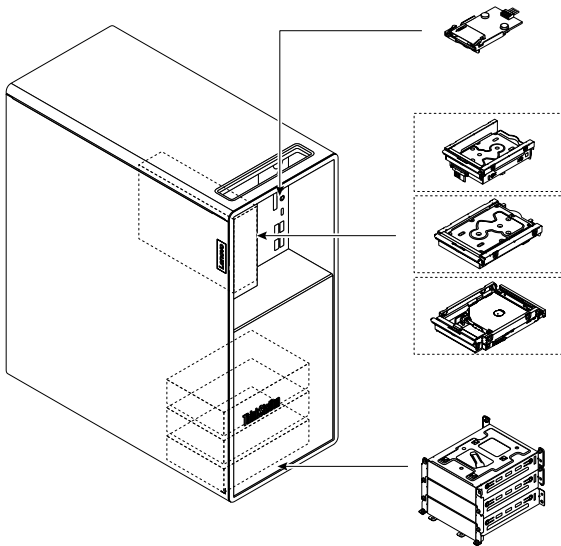
* For selected models

Scan the *User Guide* QR code to learn product information and the USB transfer rate.

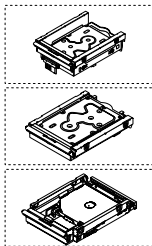


Expansion Modules

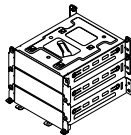




SD card*



3.5-inch front-access storage enclosure*¹
3.5-inch secondary storage drive cage*¹
Optical drive cage*



3.5-inch primary storage drive cage (up to 3)¹

* For selected models

¹ You can also install a 2.5-inch storage drive with a storage drive converter here.

[English]

European Union (EU) / United Kingdom (UK) — radio frequency and power

This radio equipment operates with the following frequency bands and maximum radio-frequency power:

Technology	Frequency band [MHz]	Maximum transmit power
WLAN 802.11b/g/n/ax	2400 - 2483.5	< 20 dBm
WLAN 802.11a/n/ac/ax	5150 - 5725	< 23 dBm
WLAN 802.11a/n/ac/ax	5725 - 5875	< 13.98 dBm
WLAN 802.11ax	5945 - 6425	< 23 dBm
Bluetooth BR/EDR/LE	2400 - 2483.5	< 20 dBm

Note: Not all wireless bands may be enabled depending on your product configuration. Usage of this device is limited to indoor locations in the bands 5150 - 5350 MHz and 5945 - 6425 MHz.

Second Edition (December 2023)

© Copyright Lenovo 2023.

LENOVO, LENOVO logo, THINKSTATION, and THINKSTATION logo are trademarks of Lenovo. Mini DisplayPort (mDP) and DisplayPort are trademarks of the Video Electronics Standards Association. The terms HDMI and HDMI High-Definition Multimedia Interface are trademarks or registered trademarks of HDMI Licensing LLC in the United States and other countries. USB-C is a registered trademark of USB Implementers Forum. All other trademarks are the property of their respective owners.

LIMITED AND RESTRICTED RIGHTS NOTICE: If data or software is delivered pursuant to a General Services Administration "GSA" contract, use, reproduction, or disclosure is subject to restrictions set forth in Contract No. GS-35F-05925.

Reduce

Reuse

Recycle

