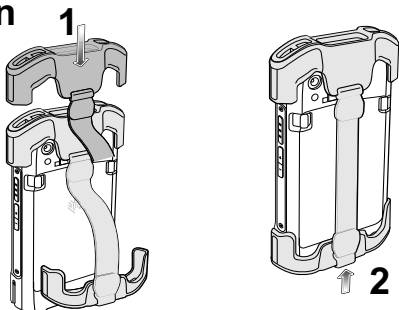


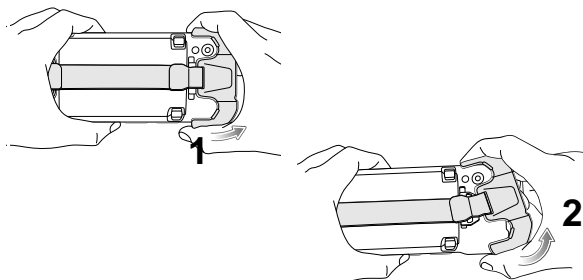
TC2X Rugged Boot with Integrated Hand Strap Installation Guide



Installation

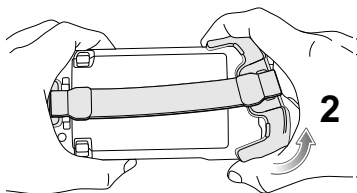
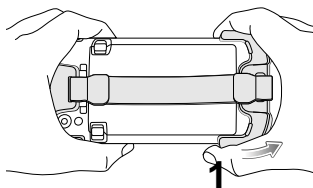


Top Removal



ZEBRA and the stylized Zebra head are trademarks of Zebra Technologies Corp., registered in many jurisdictions worldwide. All other trademarks are the property of their respective owners. © 2022 Zebra Technologies Corp. and/or its affiliates. All rights reserved. | www.zebra.com

Bottom Removal



Charging

