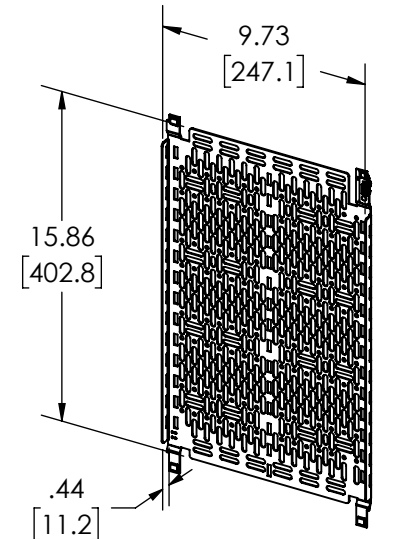
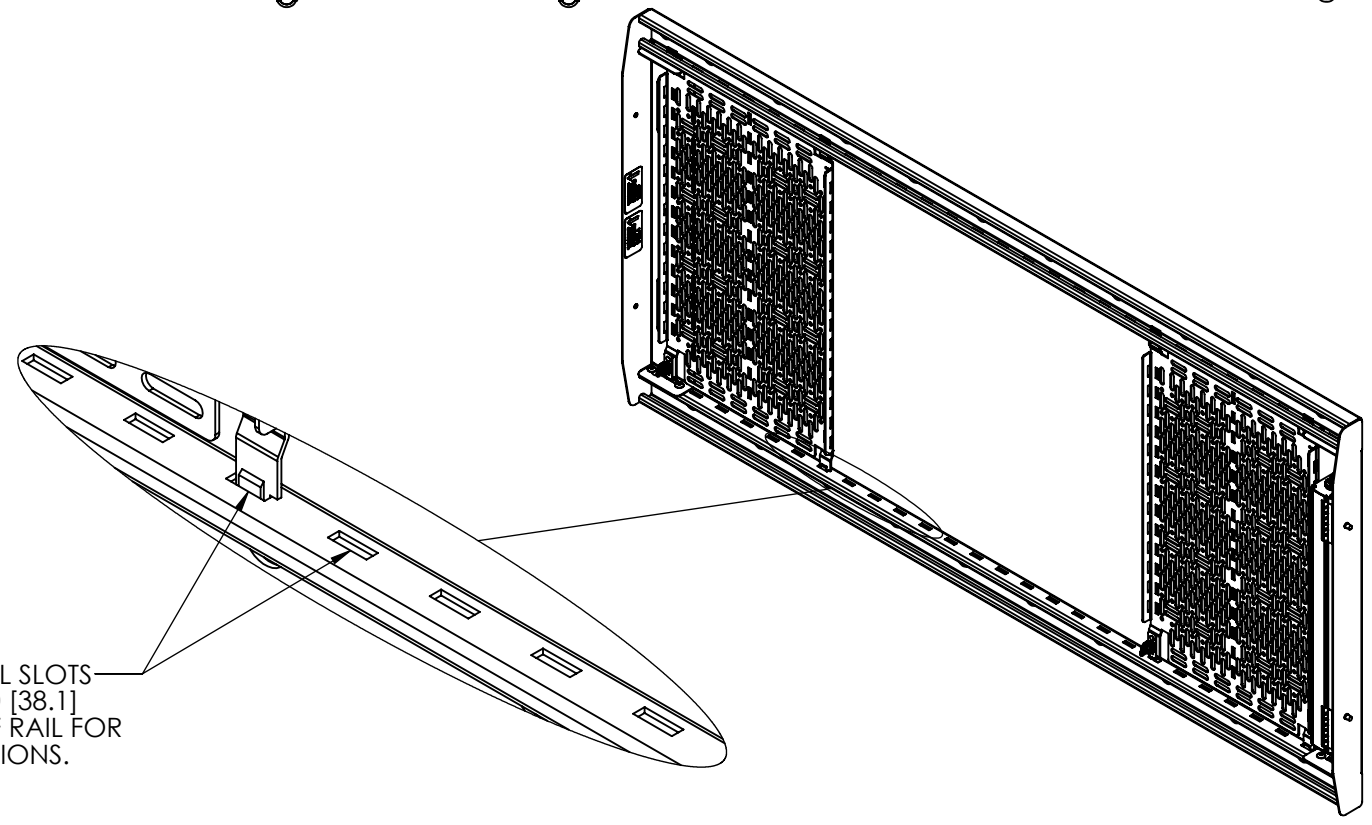
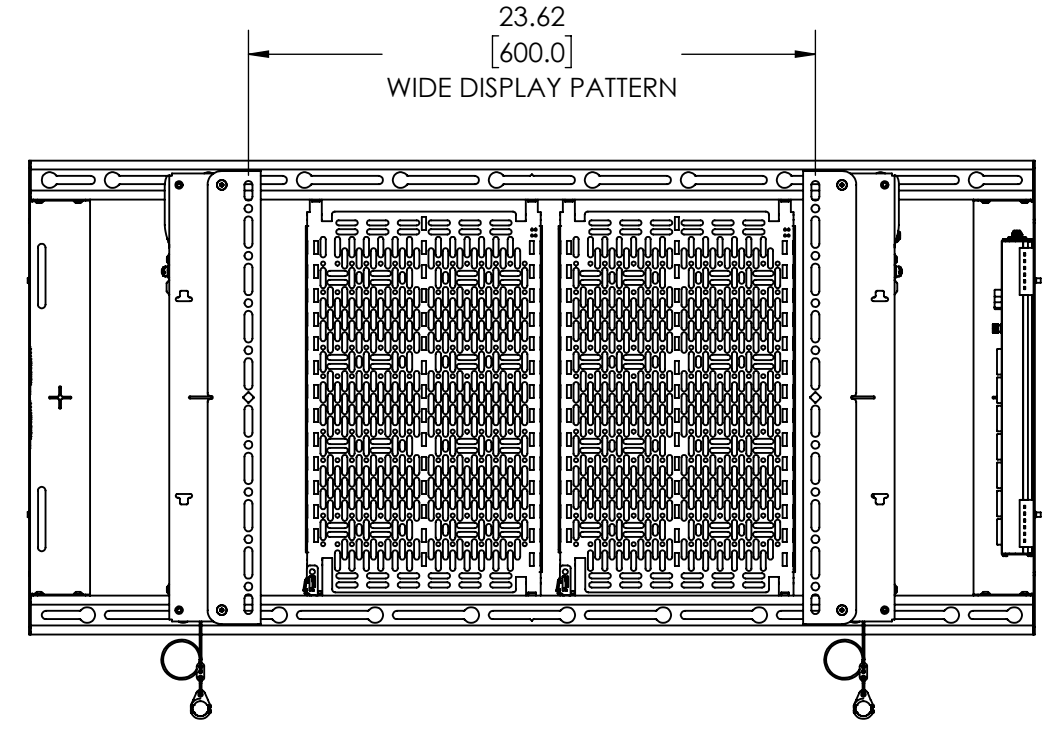
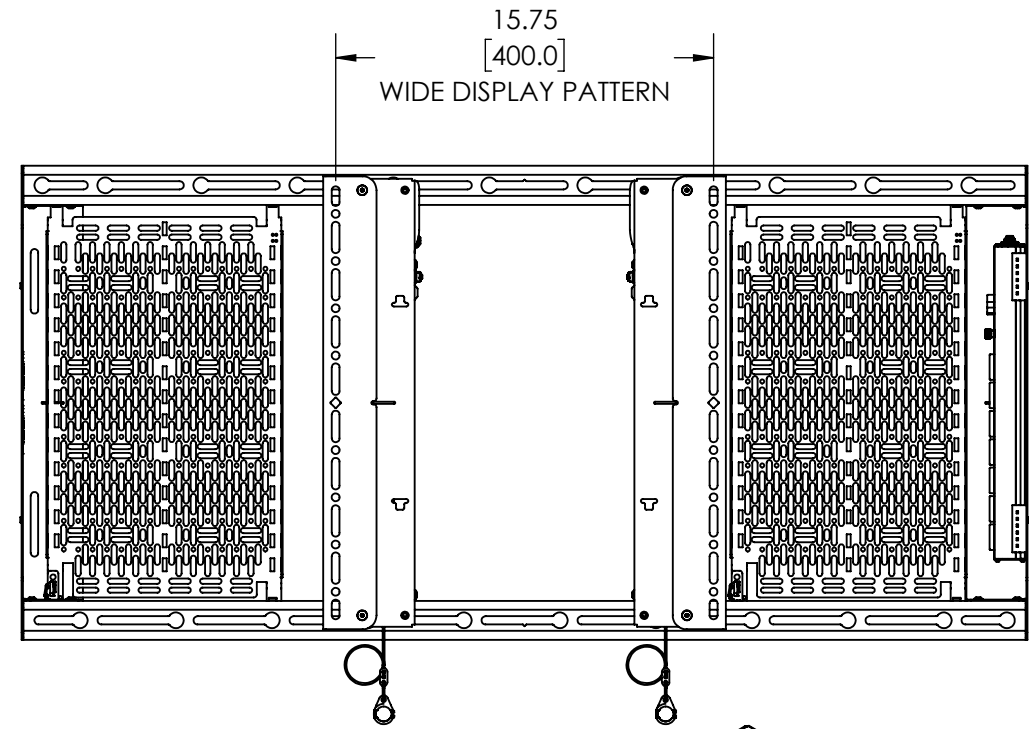


THE INFORMATION AND DESIGNS CONTAINED IN THIS DRAWING ARE CONFIDENTIAL AND THE PROPRIETARY PROPERTY OF LEGRAND | AV. NEITHER THIS DESIGN NOR ANY INFORMATION CONTAINED IN THIS DRAWING MAY BE REPRODUCED OR DISCLOSED TO OTHERS WITHOUT THE EXPRESS WRITTEN CONSENT OF LEGRAND | AV.

CAD GENERATED DRAWING, DO NOT MANUALLY UPDATE.			
DRAWN BY	MJS	11/23/2022	
ENG APPROVAL			DESCRIPTION LOW DENSITY WALL MOUNT WITH PDU
MFG APPROVAL			
QA APPROVAL			
SHEET 1 OF 5		SCALE 1:8	MODEL NO. AS3LDP
SIZE B	DWG. NO. TECH-001252	REV. 00	

CHIEF
6436 CITY WEST PKWY
EDEN PRAIRIE, MN, 55344
PHONE: 866-977-3901
FAX: 877-894-6918



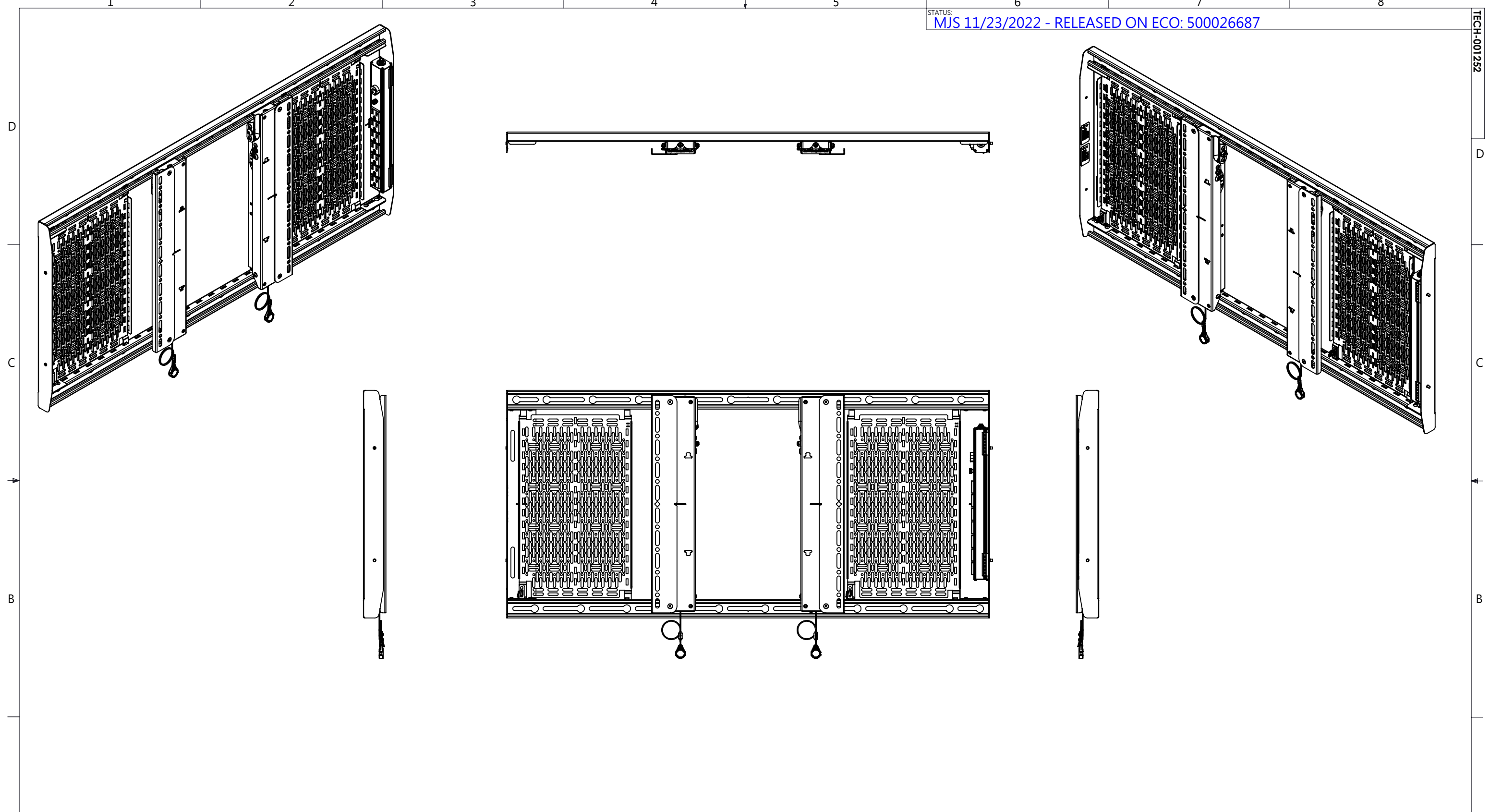
LEVER LOCK PANEL INSTALL SLOTS ARE PROVIDED EVERY 1.50 [38.1] ALONG ENTIRE LENGTH OF RAIL FOR FLEXIBLE POSITIONING OPTIONS.

DETAIL E
SCALE 1:2


LEVER LOCK PANEL DETAIL

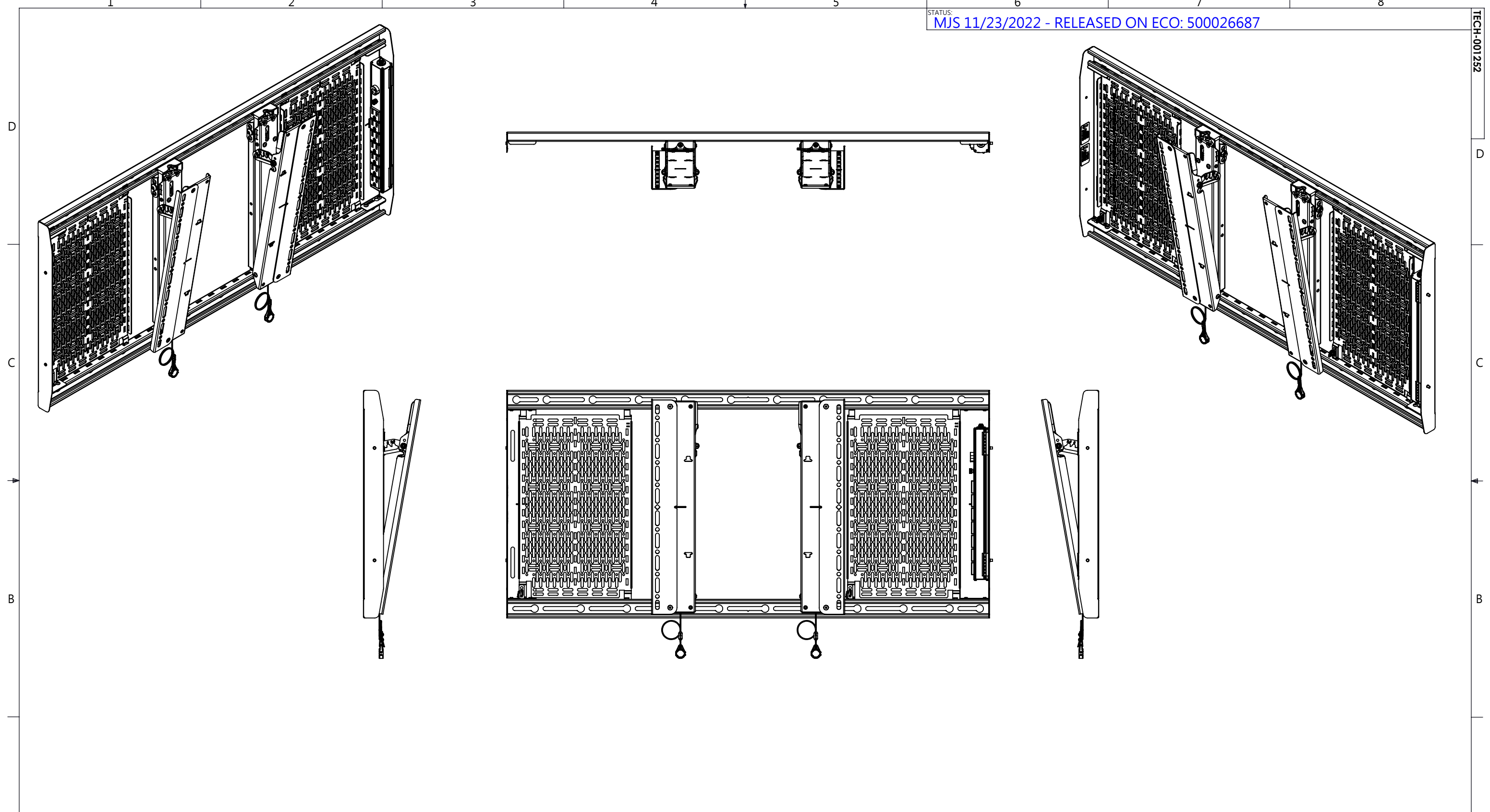
THE INFORMATION AND DESIGNS CONTAINED IN THIS DRAWING ARE CONFIDENTIAL AND THE PROPRIETARY PROPERTY OF LEGRAND | AV. NEITHER THIS DESIGN NOR ANY INFORMATION CONTAINED IN THIS DRAWING MAY BE REPRODUCED OR DISCLOSED TO OTHERS WITHOUT THE EXPRESS WRITTEN CONSENT OF LEGRAND | AV.

CAD GENERATED DRAWING, DO NOT MANUALLY UPDATE.				6436 CITY WEST PKWY EDEN PRAIRIE MN, 55344 PHONE: 866-977-3901 FAX: 877-894-6918	
DRAWN BY	MJS	11/23/2022	DESCRIPTION		
ENG APPROVAL			LOW DENSITY WALL MOUNT WITH PDU		
MFG APPROVAL			MODEL NO.		
QA APPROVAL			AS3LDP		
SHEET 2 OF 5		SCALE	SIZE	DWG. NO.	REV.
		1:8	B	TECH-001252	00




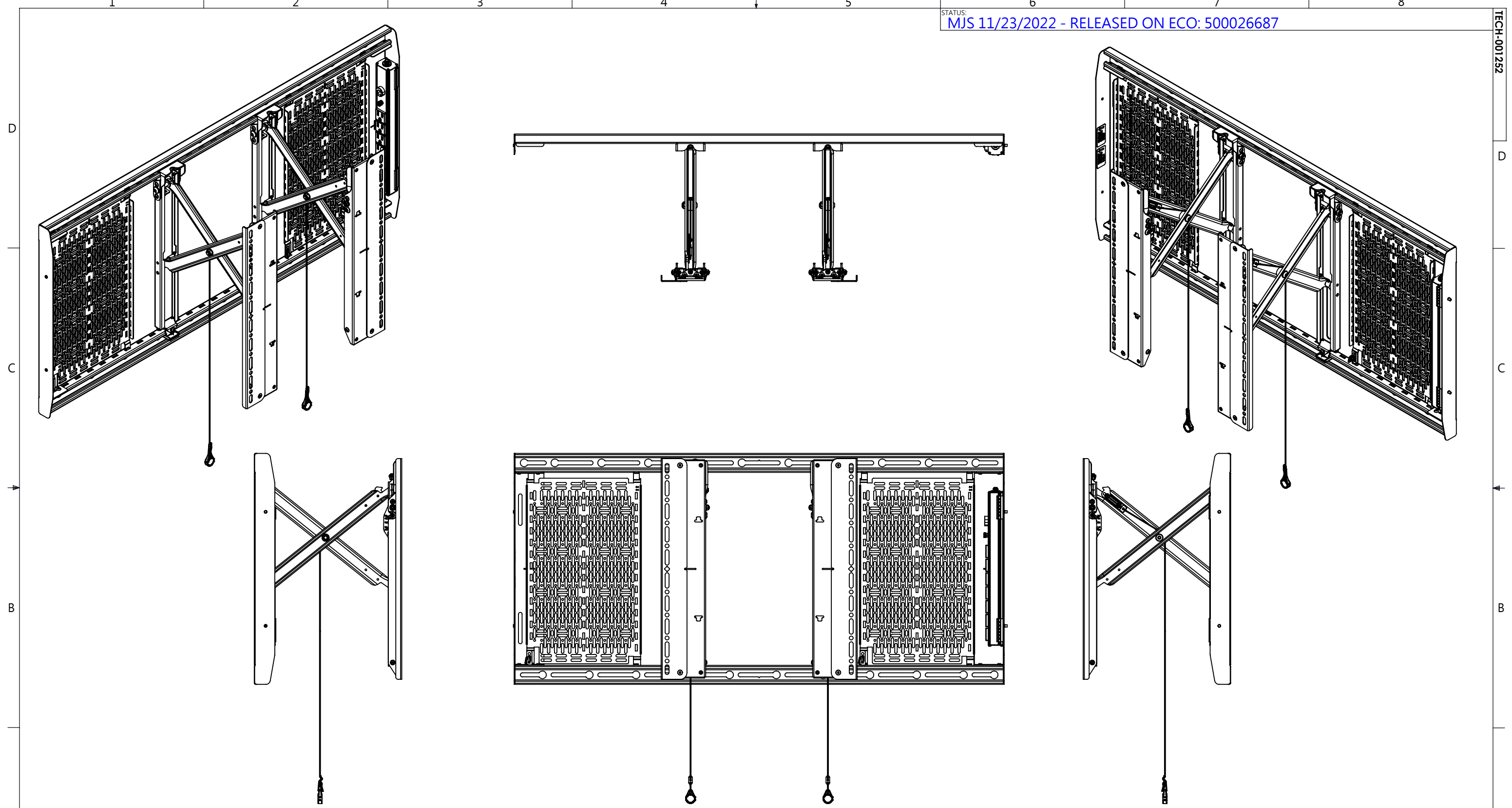
THE INFORMATION AND DESIGNS CONTAINED IN THIS DRAWING ARE CONFIDENTIAL AND THE PROPRIETARY PROPERTY OF LEGRAND | AV. NEITHER THIS DESIGN NOR ANY INFORMATION CONTAINED IN THIS DRAWING MAY BE REPRODUCED OR DISCLOSED TO OTHERS WITHOUT THE EXPRESS WRITTEN CONSENT OF LEGRAND | AV.

CAD GENERATED DRAWING, DO NOT MANUALLY UPDATE.				 6436 CITY WEST PKWY EDEN PRAIRIE, MN, 55344 PHONE: 866-977-3901 FAX: 877-894-6918	
DRAWN BY	MJS	11/23/2022	DESCRIPTION		
ENG APPROVAL			LOW DENSITY WALL MOUNT WITH PDU		
MFG APPROVAL			MODEL NO.		
QA APPROVAL			AS3LDP		
SHEET 3 OF 5		SCALE	SIZE	DWG. NO.	REV.
		1:8	B	TECH-001252	00




THE INFORMATION AND DESIGNS CONTAINED IN THIS DRAWING ARE CONFIDENTIAL AND THE PROPRIETARY PROPERTY OF LEGRAND | AV. NEITHER THIS DESIGN NOR ANY INFORMATION CONTAINED IN THIS DRAWING MAY BE REPRODUCED OR DISCLOSED TO OTHERS WITHOUT THE EXPRESS WRITTEN CONSENT OF LEGRAND | AV.

CAD GENERATED DRAWING, DO NOT MANUALLY UPDATE.				 6436 CITY WEST PKWY EDEN PRAIRIE, MN, 55344 PHONE: 866-977-3901 FAX: 877-894-6918	
DRAWN BY	MJS	11/23/2022	DESCRIPTION		
ENG APPROVAL			LOW DENSITY WALL MOUNT WITH PDU		
MFG APPROVAL			MODEL NO.		
QA APPROVAL			AS3LDP		
SHEET 4 OF 5		SCALE	SIZE	DWG. NO.	REV.
		1:8	B	TECH-001252	00



THE INFORMATION AND DESIGNS CONTAINED IN THIS DRAWING ARE CONFIDENTIAL AND THE PROPRIETARY PROPERTY OF LEGRAND | AV. NEITHER THIS DESIGN NOR ANY INFORMATION CONTAINED IN THIS DRAWING MAY BE REPRODUCED OR DISCLOSED TO OTHERS WITHOUT THE EXPRESS WRITTEN CONSENT OF LEGRAND | AV.

CAD GENERATED DRAWING, DO NOT MANUALLY UPDATE.			 6436 CITY WEST PKWY EDEN PRAIRIE, MN, 55344 PHONE: 866-977-3901 FAX: 877-894-6918		
DRAWN BY	MJS	11/23/2022	DESCRIPTION		
ENG APPROVAL			LOW DENSITY WALL MOUNT WITH PDU		
MFG APPROVAL			MODEL NO.		
QA APPROVAL			AS3LDP		
SHEET 5 OF 5		SCALE	SIZE	DWG. NO.	REV.
		1:8	B	TECH-001252	00