

Lenovo Flex 7i (14", 7)

For Barcode Position Only

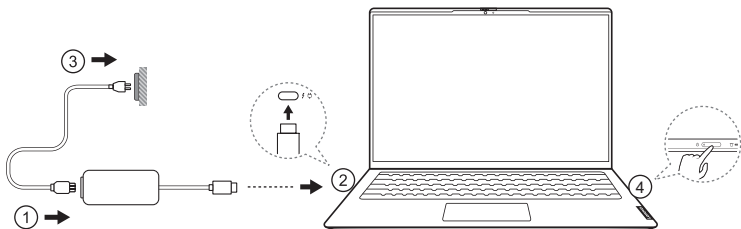
Printed in China
PN: SP41J51215

Lenovo



Get it started

Prise en main | Introducción



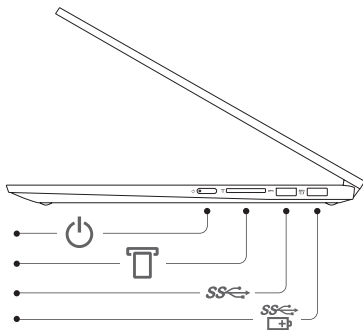
* For selected models | Sur modèles sélectionnés | Para modelos seleccionados

i The illustrations are for your reference. | Les illustrations sont utilisées uniquement à titre de référence. | Las ilustraciones son solo para referencia.



Overview

Présentation | Visión general



Power button | Bouton d'alimentation | Botón de encendido



SD card slot | Logement pour carte SD | Ranura de la tarjeta SD



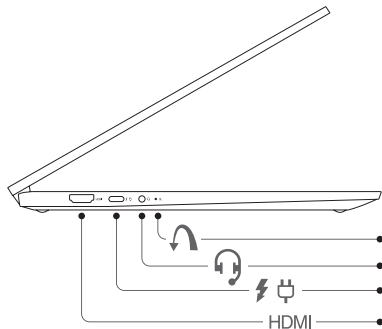
USB (3.2 Gen 1) Type-A connector | Connecteur USB (3.2 Gen 1) Type-A | Conector USB (3.2 Gen 1) Tipo-A



USB (3.2 Gen 1) Type-A connector (always-on) | Connecteur USB (3.2 Gen 1) Type-A (Always-On) | Conector USB (3.2 Gen 1) Tipo-A (Always-On)



Scan the *User Guide* QR code and read the statement on USB transfer rates. | Scannez le code QR du *Guide d'utilisation* et lisez la déclaration sur le taux de transfert USB. | Escanee el código QR de la *Guía del usuario* y lea la declaración sobre la tasa de transferencia USB.



Novo button hole | Fente du bouton Novo | Orificio de botón Novo



Combo audio jack | Prise audio multifonction | Conector de audio combinado



Multi-purpose USB Type-C[®] connector (Thunderbolt™ 4 enabled) / Power connector | Connecteur USB Type-C[®] multi-fonctions (Thunderbolt™ 4 activé) / Connecteur d'alimentation | Conector USB Tipo-C[®] multiusado (Thunderbolt™ 4 habilitado) / Conector de alimentación



HDMI™ connector | Connecteur HDMI™ | Conector HDMI™

First Edition (May 2022)
© Copyright Lenovo 2022.

Lenovo and the Lenovo logo are trademarks of Lenovo. Thunderbolt is a trademark of Intel Corporation or its subsidiaries. The terms HDMI and HDMI High-Definition Multimedia Interface, and the HDMI logo are trademarks or registered trademarks of HDMI Licensing Administrator, Inc. in the United States and other countries. USB Type-C is a registered trademark of USB Implementers Forum. All other trademarks are the property of their respective owners.

LIMITED AND RESTRICTED RIGHTS NOTICE:

If data or software is delivered pursuant to a General Services Administration "GSA" contract, use, reproduction, or disclosure is subject to restrictions set forth in Contract No. GS-35F-05925.

