

CONTACT INFORMATION

- Website: www.supermicro.com
- General Information: marketing@supermicro.com
- Technical Support: support@supermicro.com
- Phone: +1 (408) 503-8000, Fax: +1 (408) 503-8008

FOR YOUR SYSTEM TO WORK PROPERLY, PLEASE DOWNLOAD APPROPRIATE

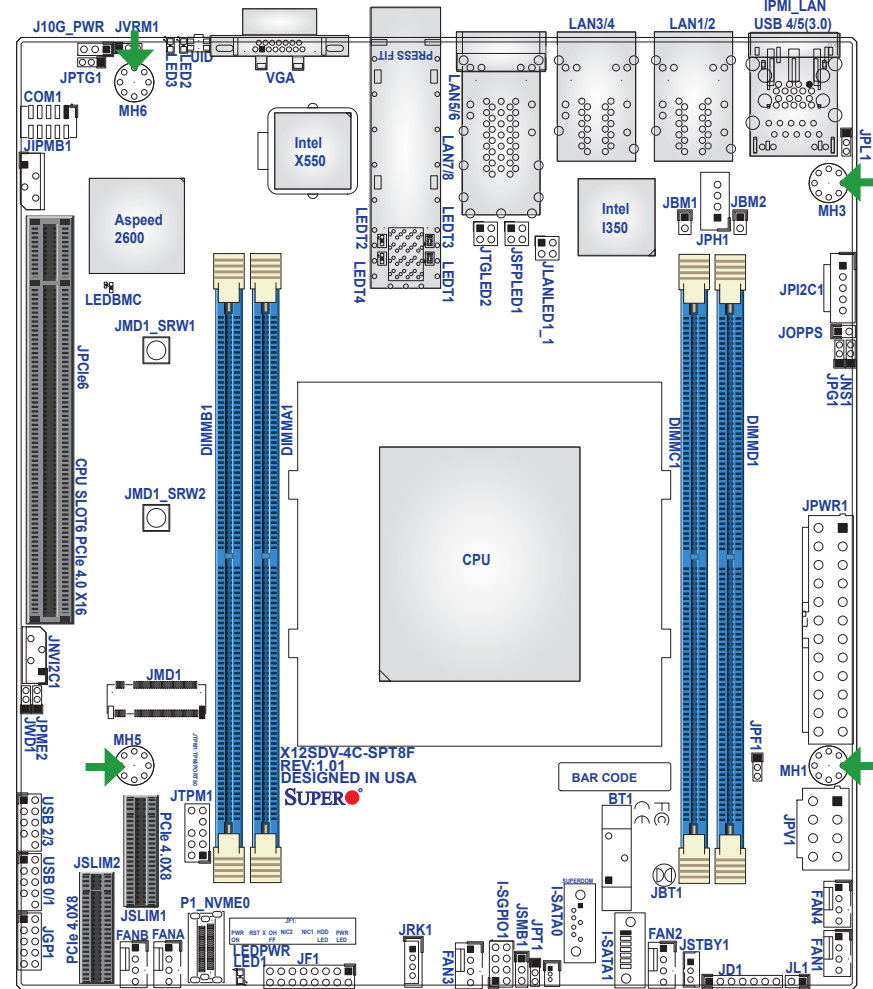
- DRIVERS/IMAGES/USER'S MANUAL FROM THE LINKS BELOW:**
- Manuals: <http://www.supermicro.com/support/manuals>
 - Drivers & Utilities: <https://www.supermicro.com/wdl/driver/>
 - Safety: http://www.supermicro.com/about/policies/safety_information.cfm

PACKAGE CONTENTS

- One Supermicro Motherboard
- One Quick Reference Guide
- One I/O Shield
- Two SATA Cables
- One COM Port Cable
- One OCuLink Cable (SATA)
- One OCuLink Cable (U.2)

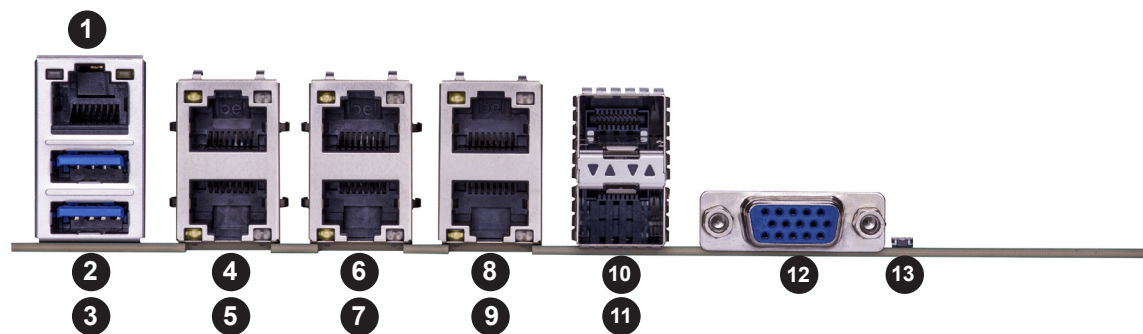


Motherboard Layout and Features



→ = mounting hole

Back Panel I/O Connectors



#	Description	#	Description	#	Description	#	Description
1.	IPMI LAN	5.	LAN1	9.	LAN5	13.	UID Switch
2.	USB5	6.	LAN4	10.	SFP28 LAN8		
3.	USB4	7.	LAN3	11.	SFP28 LAN7		
4.	LAN2	8.	LAN6	12.	VGA Port		

Note: Graphics shown in this quick reference guide are for illustration only. Your components may or may not look exactly the same as drawings shown in this guide.

Jumpers and Connectors

Jumpers		
Jumper	Description	Default Setting
JBM1	IPMI Share LAN	Pins 1-2 Open (Enabled)
JBM2	IPMI Dedicated LAN Enable/Disable	Pins 1-2 Open (Enabled)
JBT1	CMOS Clear	Open (Normal)
JNS1	OCuLink to SATA 3.0 or PCIe 3.0 Selection	Pins 2-3 (PCIe x4)
JPG1	VGA Enable/Disable	Pins 1-2 (Enabled)
JPL1	LAN1–LAN4 Enable/Disable	Pins 1-2 (Enabled)
JPME2	Manufacturing Mode	Pins 1-2 (Normal)
JPT1	Onboard TPM Enable/Disable	Pins 1-2 (Enabled)
JPTG1	LAN5/6 (10GbE) Enable/Disable	Pins 1-2 (Enabled)
JWD1	Watch Dog Timer	Pins 1-2 (Reset)

Connectors	
Connector	Description
BT1	Onboard Battery
COM1	COM Header
FAN1–FAN4, FANA, FANB	CPU/System Fan Headers
I-SATA0, I-SATA1	Intel® PCH SATA 3.0 Ports (I-SATA0 has built-in SATA DOM Power on Pin 8)
I-SGPIO1	Serial Link General Purpose I/O Header
IPMI LAN	Dedicated IPMI LAN Port
JD1	Speaker (Pins 1-3: Power LED, Pins 4-7: Speaker)
JF1	Front Control Panel Header
JGP1	General Purpose I/O Header
JIPMB1	System Management Bus Header (for IPMI only)
JL1	Chassis Intrusion Header
JLANLED1_1	LAN3/4 Activity LED Header
JMD1	M.2 M-Key 2242/2280 (PCIe x4/SATA) Slot
JMD1_SRW1, JMD1_SRW2	M.2 Holding Screws
JNV12C1	Non-Volatile Memory (NVMe) I ² C Header
JOPPS	Reserved for One Pulse Per Second
JPH1	4-pin HDD Power Connector
JPI2C1	Power I ² C System Management Bus (Power SMB) Header
JPWR1	24-pin ATX Power Connector (Required)
JPV1	8-pin CPU Power Connector (Required)
JRK1	Intel RAID Key Header
JSD1	SATA DOM Power Connectors
JSFPLED1	LAN7/8 Activity LED Header
JSLIM1, JSLIM2	PCIe 4.0 x8 SlimSAS Connector

Note: Refer to Chapter 1 of the User Manual for detailed information on jumpers, connectors, and LED indicators.

Connectors and LED Indicators

Connectors	
Connector	Description
JSTBY1	Standby Power Header
JTGLE2	LAN5/6 Activity LED Header
JTPM1	Trusted Platform Module/Port 80 Connector
LAN1/2, LAN3/4	1GbE RJ45 LAN Ports
LAN5/6	10GbE RJ45 LAN Ports
LAN7/8	25G SFP28 LAN Ports
P1_NVME0	OCuLink Connector (to four SATA3.0 or PCIe 3.0 x4)
SLOT6	CPU1 PCIe 4.0 x16 Slot
UID	Unit Identifier Switch
USB0/1, USB2/3	Front Accessible USB 2.0 Headers
USB4/5	Back Panel USB 3.0 Ports
VGA	VGA Port

LED Indicators		
LED	Description	Status
LED2	UID LED	Solid Blue: Unit Identified
LED3	Overheat (OH)/Fan Fail/Power Fail LED	Solid Red: Overheat Blinking Red: Power Fail or Fan Fail
LEDBMC	BMC Heartbeat	Blinking Green: BMC Normal
LEDPWR	Onboard Power LED	Solid Green: Power On

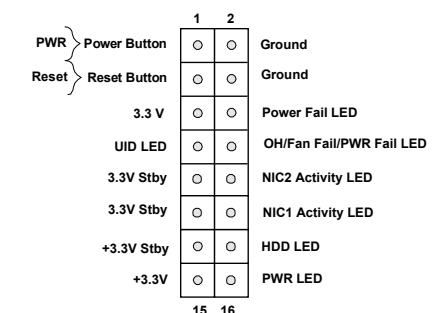
CPU and Memory Support

The X12SDV-SPT8F series motherboard supports an Intel Xeon D-2700 Processor with up to 20 cores and a TDP of 65-120W.

The motherboard supports up to 256GB of ECC RDIMM and up to 512GB LRDIMM DDR4 memory with speeds of up to 2933MT/s in four memory slots.

Note: For better compatibility with the motherboard, it is recommended to use 5VSB 4A or more for the ATX power supply.

Front Control Panel



Note: Refer to Chapter 2 of the User Manual for detailed information on memory support and CPU/motherboard installation instructions.