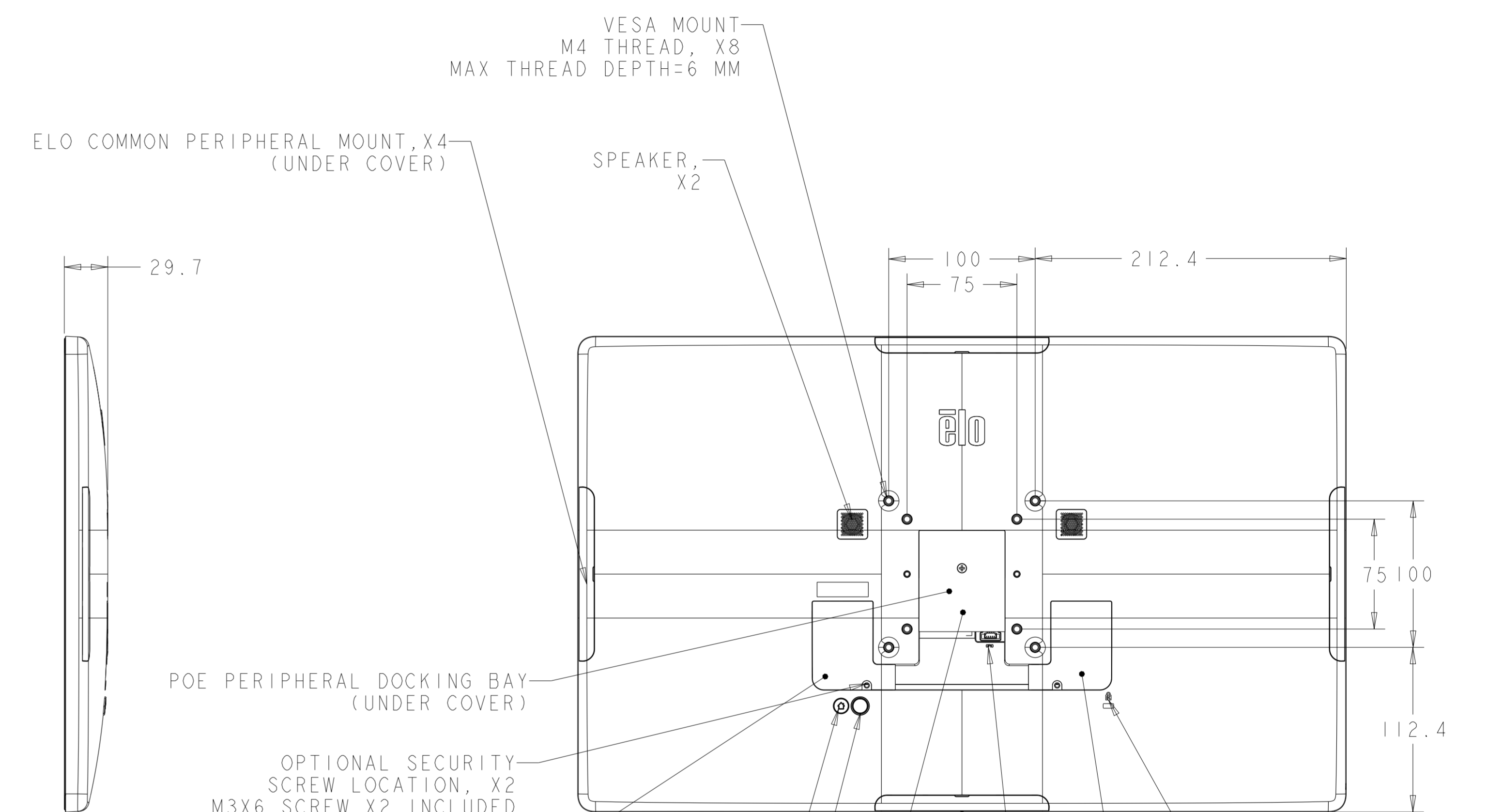
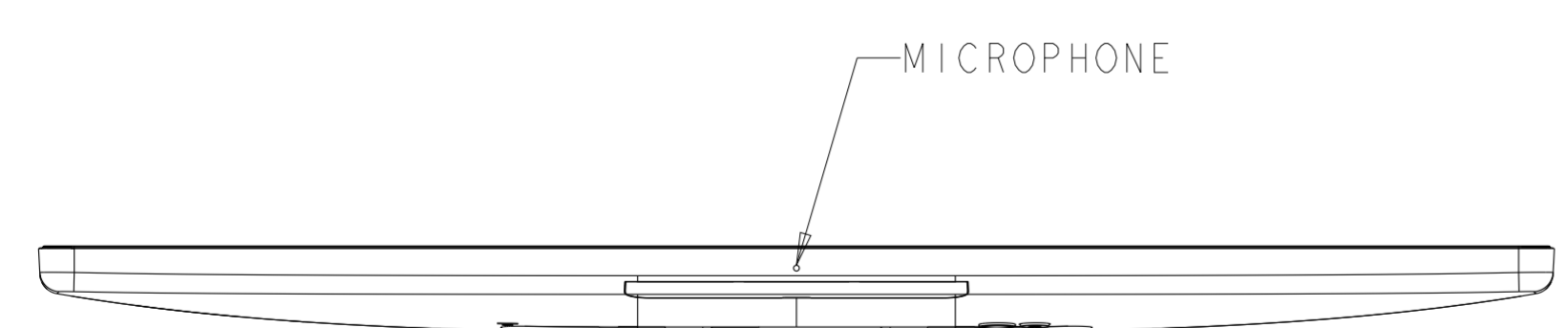
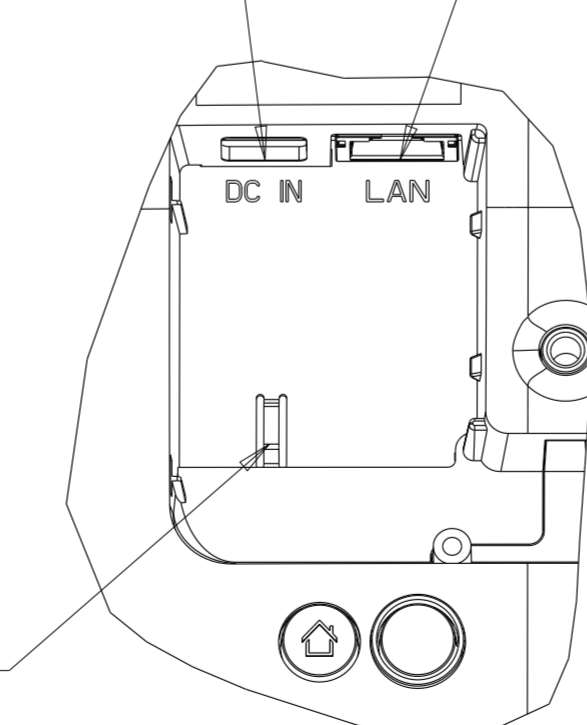


ELO LOGO



DC 19V IN

ETHERNET

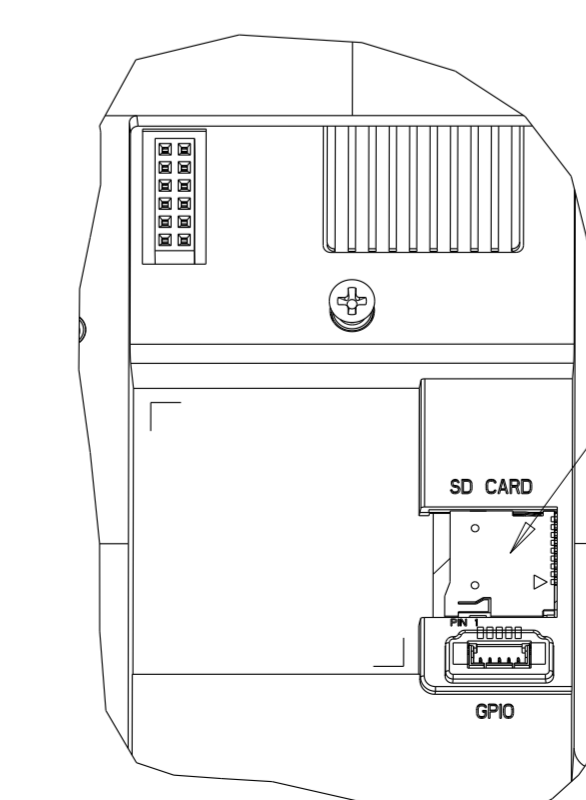


SCALE 1:1

HOOK, X2 USED TO SECURE CABLES WITH TIE-WRAPS INCLUDED

HOME BUTTON

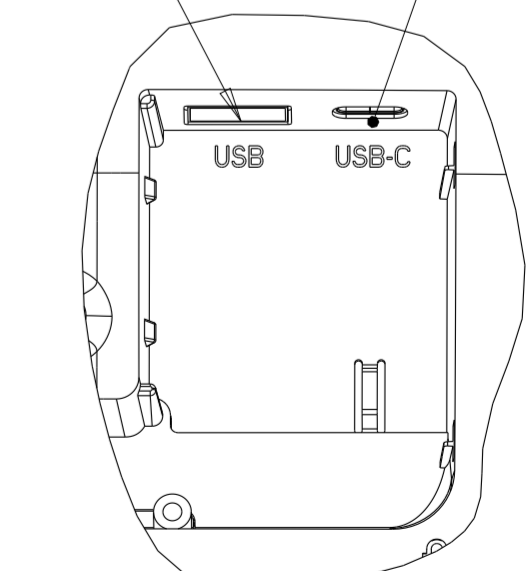
POWER BUTTON



SCALE 1:1

USB 3.0

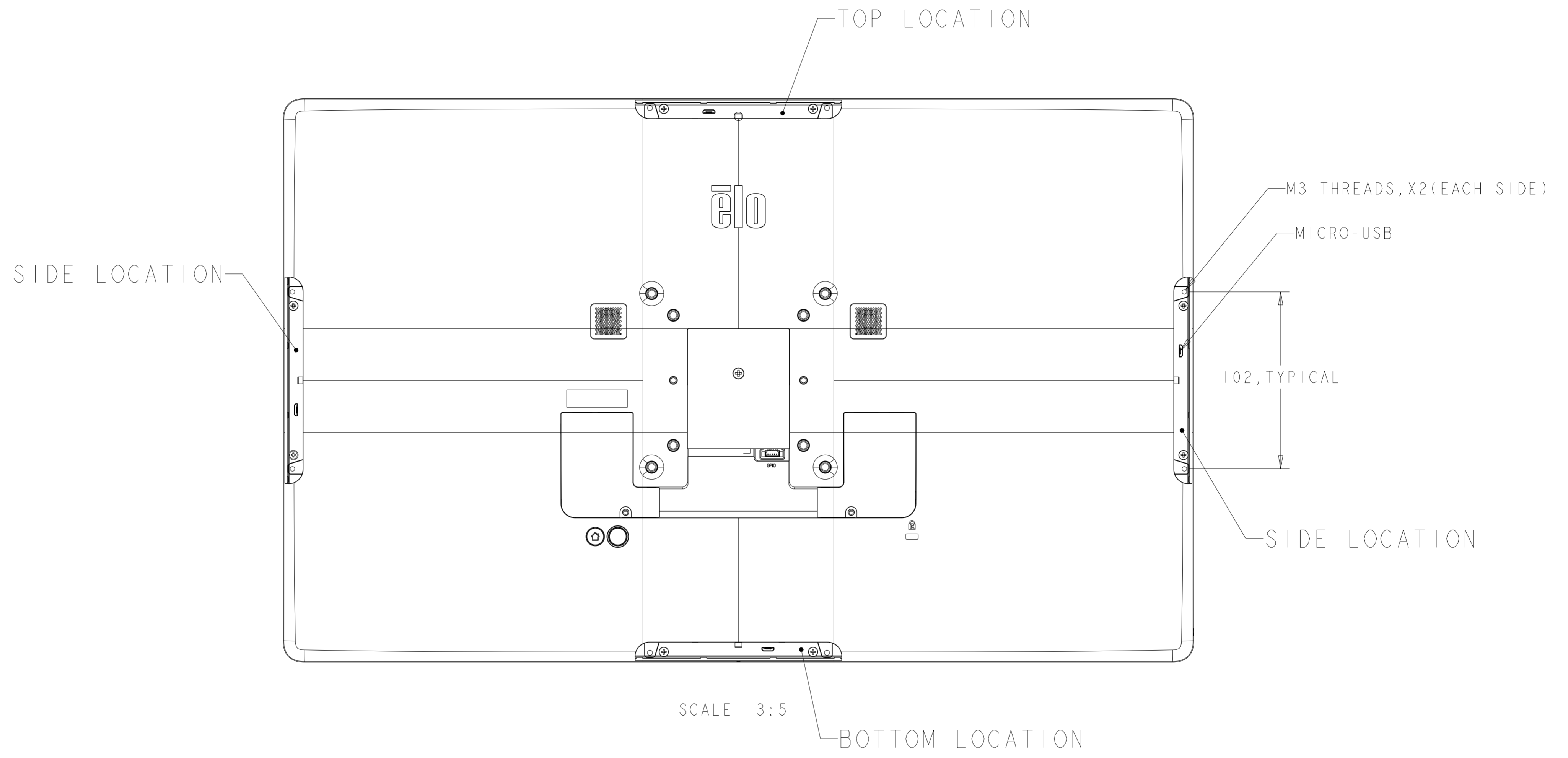
USB TYPE C



SCALE 1:1

DIMENSIONS ARE IN MILLIMETERS

ELO PERIPHERAL MOUNTING INTERFACE (1 PER SIDE)  
(SEE WEBSITE FOR DIMENSIONAL DRAWINGS OF COMPATIBLE PERIPHERALS)



POWER OVER ETHERNET (POE) ADAPTER KIT P/N: E413396  
(OPTIONAL KIT, PURCHASED SEPARATELY)  
POE COVER REMOVED AND POE PERIPHERAL INSTALLED

REQUIRES EXTENDED M4 SCREWS INCLUDED WITH POE KIT,  
SCREWS PASS THROUGH POE MODULE/SPACER INTO ORIGINAL VESA MOUNT

