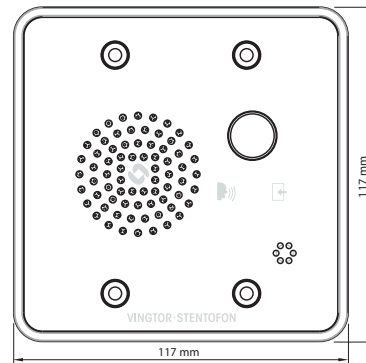
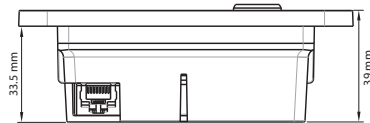


TMIS-1 Turbine Mini IP Intercom Mounting Guide

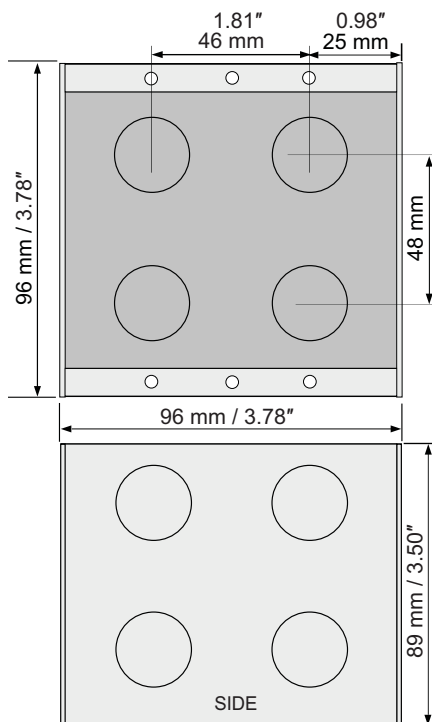
1 Turbine Mini Intercom

This document describes the dimensions, mounting procedure, and connections of the Vingtor-Stentofon TMIS-1 Turbine Mini intercom.

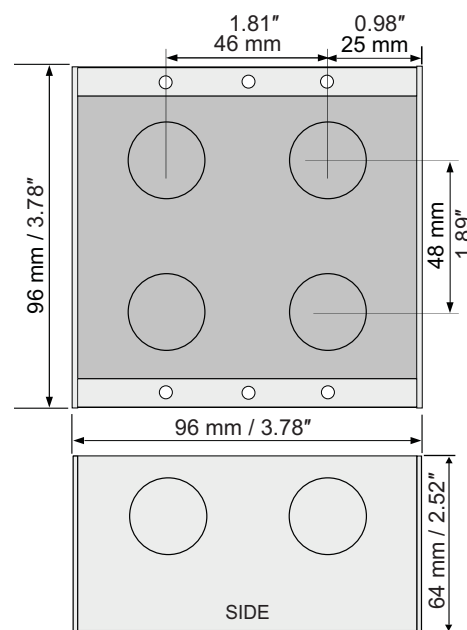
Item Number	Type	Item Name
1008116010	TMIS-1	Turbine Mini IP Standard-1
1008140020	TA-2	Turbine Flush Mount 2-Gang Double-Depth Back Box
1008140030	TA-3	Turbine Flush Mount 2-Gang Back Box



2 Flush Mount 2-Gang Back Boxes - TA-2 & TA-3



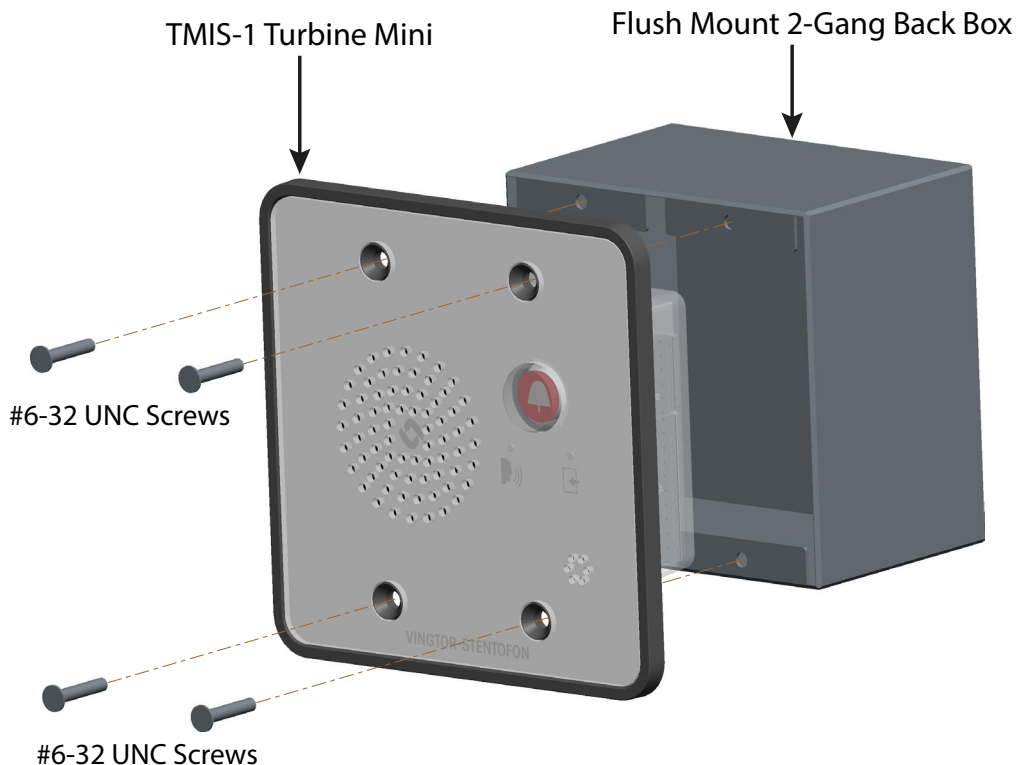
TA-2



TA-3

① It is recommended to utilize back boxes with weep holes at the bottom.

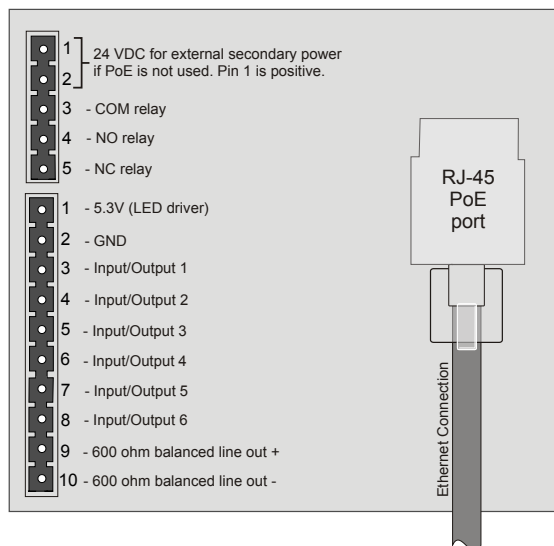
3 Flush Mounting Procedure



1. Mount the 2-gang back box into the wall
2. Fasten the TMIS-1 intercom to the back box with four #6-32 UNC countersunk-head screws

4 Connections

The TMIS-1 Turbine Mini IP intercom has a RJ-45 PoE/LAN port, and 6-pin & 10-pin external connectors.



Ethernet / Power	10/100 Mbps Ethernet RJ-45 port for LAN (uplink) connection. Supports PoE (802.3af). Draws power from either spare line or signal line.
Secondary Power	24 VDC (16 – 48 V) secondary power is provided from an external adapter.
Relays	There is one Double Throw relay contact with 60W switching power. COM, NO, NC contacts are provided. Max: 250VAC/220VDC, 2A, 60W.
Input/Output	6 I/Os are available. Each I/O can be configured as either input, output, or LED driver.
Audio Line Out	A balanced 600 ohm audio line out

ⓘ Use cables crimped with ferrules for terminal block connectors



- When the TMIS-1 intercom is connected to the network, its IP address is automatically obtained from a DHCP server or an IP address in the range 169.254.x.x will be assigned.
- To make the intercom speak its IP address, press the call button on the station.

