



WIRING DIAGRAMS

8 AUGUST 2023

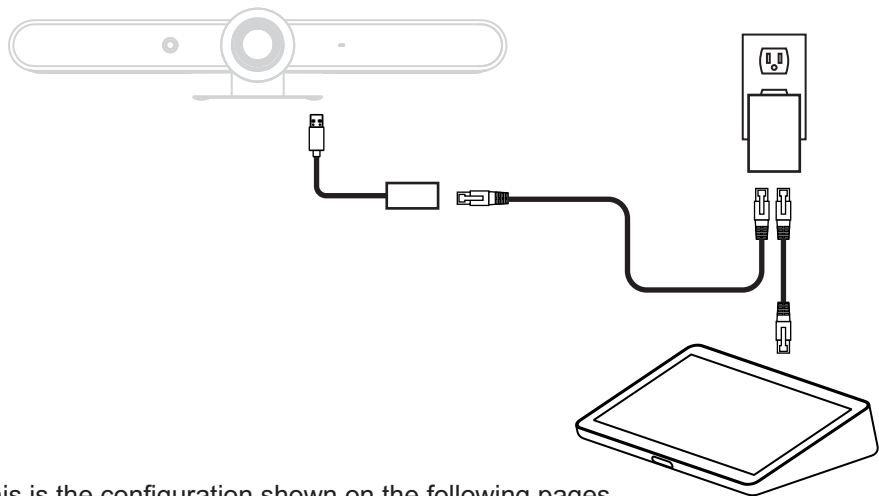


TABLE OF CONTENTS

<u>Rally Bar/Rally Bar Mini Appliance Mode</u>	4
<u>Rally Bar/Rally Bar Mini BYOD Mode</u>	13
<u>Rally Bar/Rally Bar Mini USB Mode</u>	18
<u>Rally Bar, Rally Bar Mini and RoomMate with Touch Screens</u>	24
<u>Rally/Rally Plus</u>	28
<u>SWYTCH</u>	33
<u>RoomMate</u>	43
<u>Scribe</u>	51
<u>Sight</u>	55
<u>Rally Bar Huddle Appliance Mode</u>	62
<u>Rally Bar Huddle BYOD Mode</u>	65
<u>Rally Bar Huddle in USB Mode</u>	67

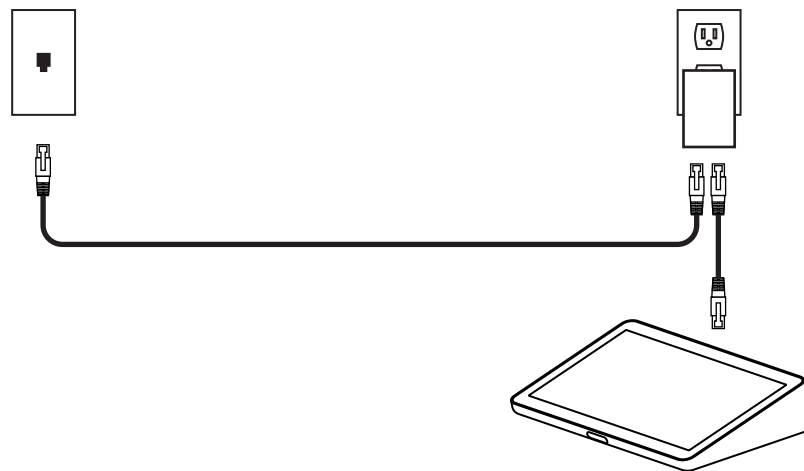
Wiring configurations for Tap and Tap IP: The wiring diagrams on the following pages are shown with Tap but most configurations can be substituted with Tap IP using one of the below connection methods.

Tap
USB connection*

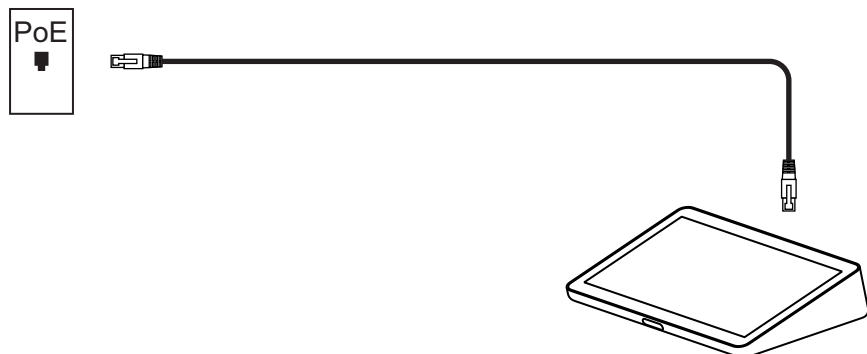


*This is the configuration shown on the following pages

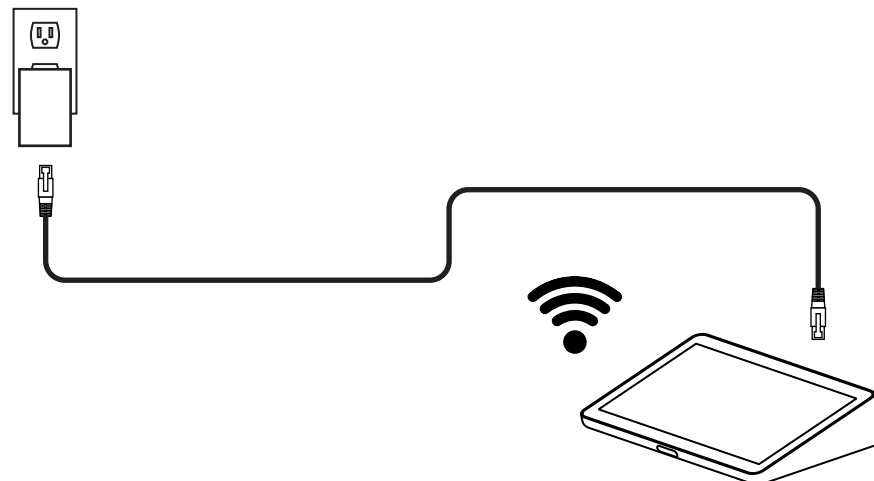
Tap IP
LAN + PoE injector (available for purchase seperately)



Tap IP
PoE enabled network

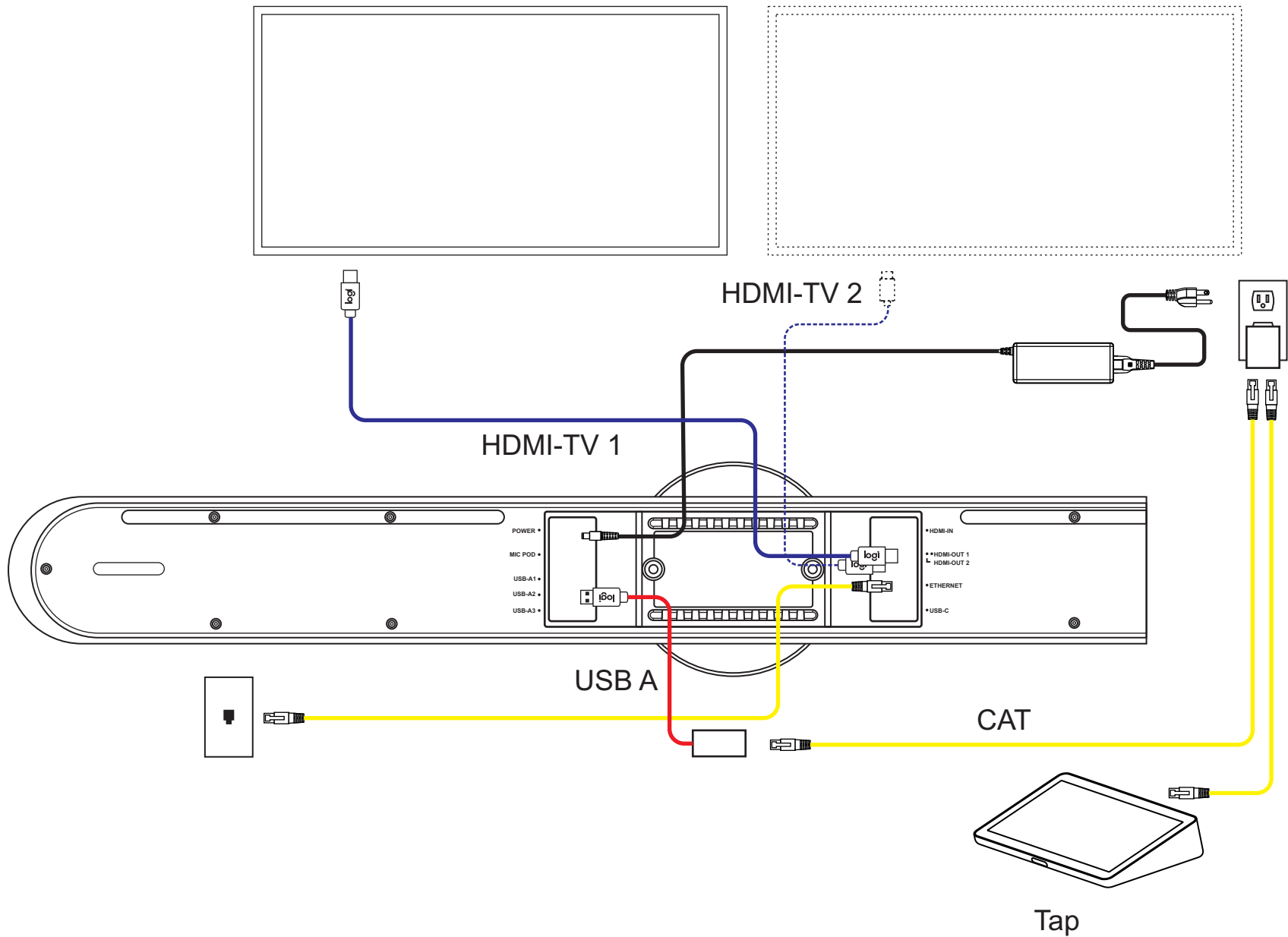


Tap IP
WLAN + PoE injector (available for purchase seperately)



RALLY BAR & RALLY BAR MINI IN APPLIANCE MODE

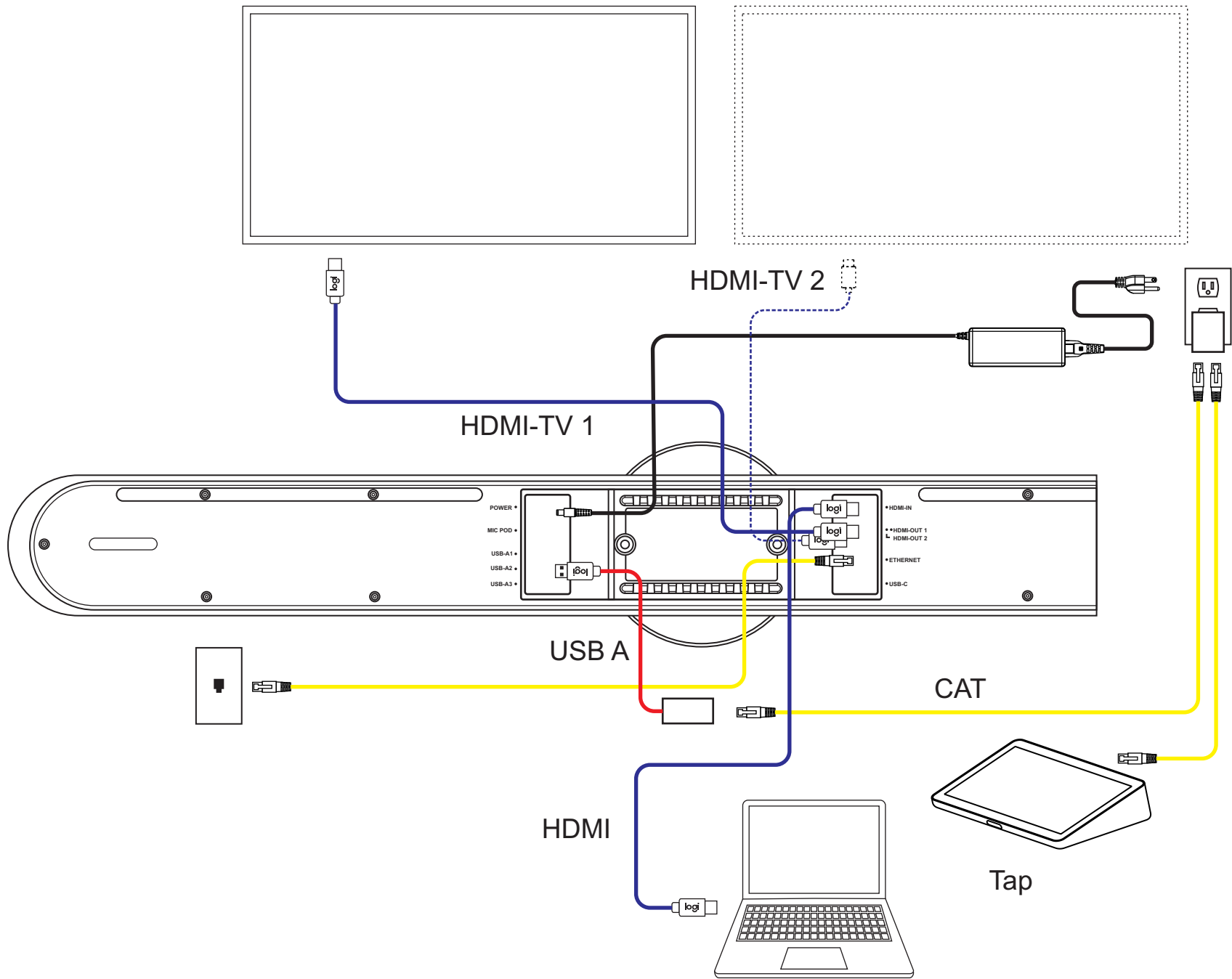
[Table of Contents](#)



- CAT ■
- USB ■
- HDMI ■



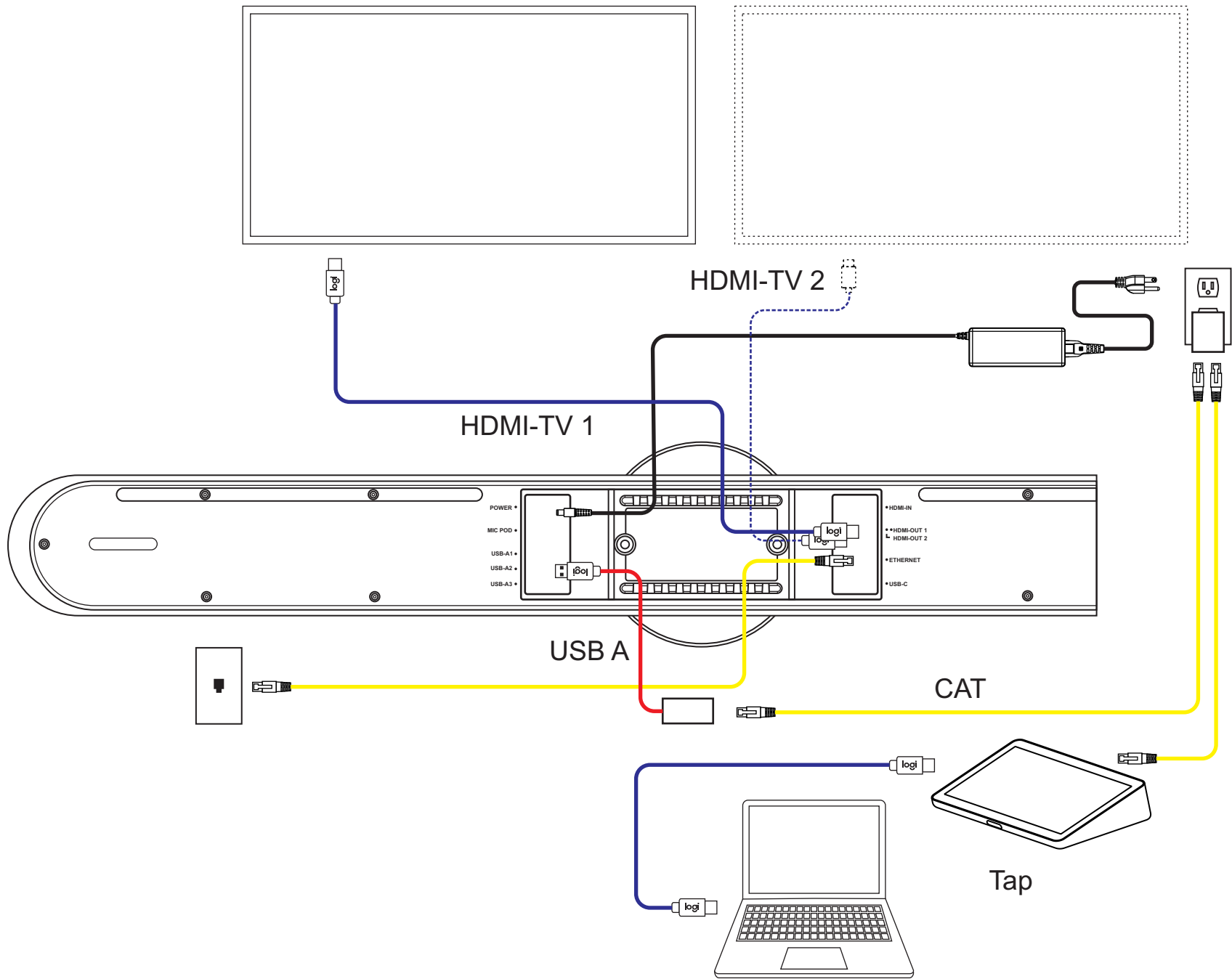
Rally Bar / Rally Bar Mini
Appliance Mode: Default configuration



CAT ■
 USB ■
 HDMI ■



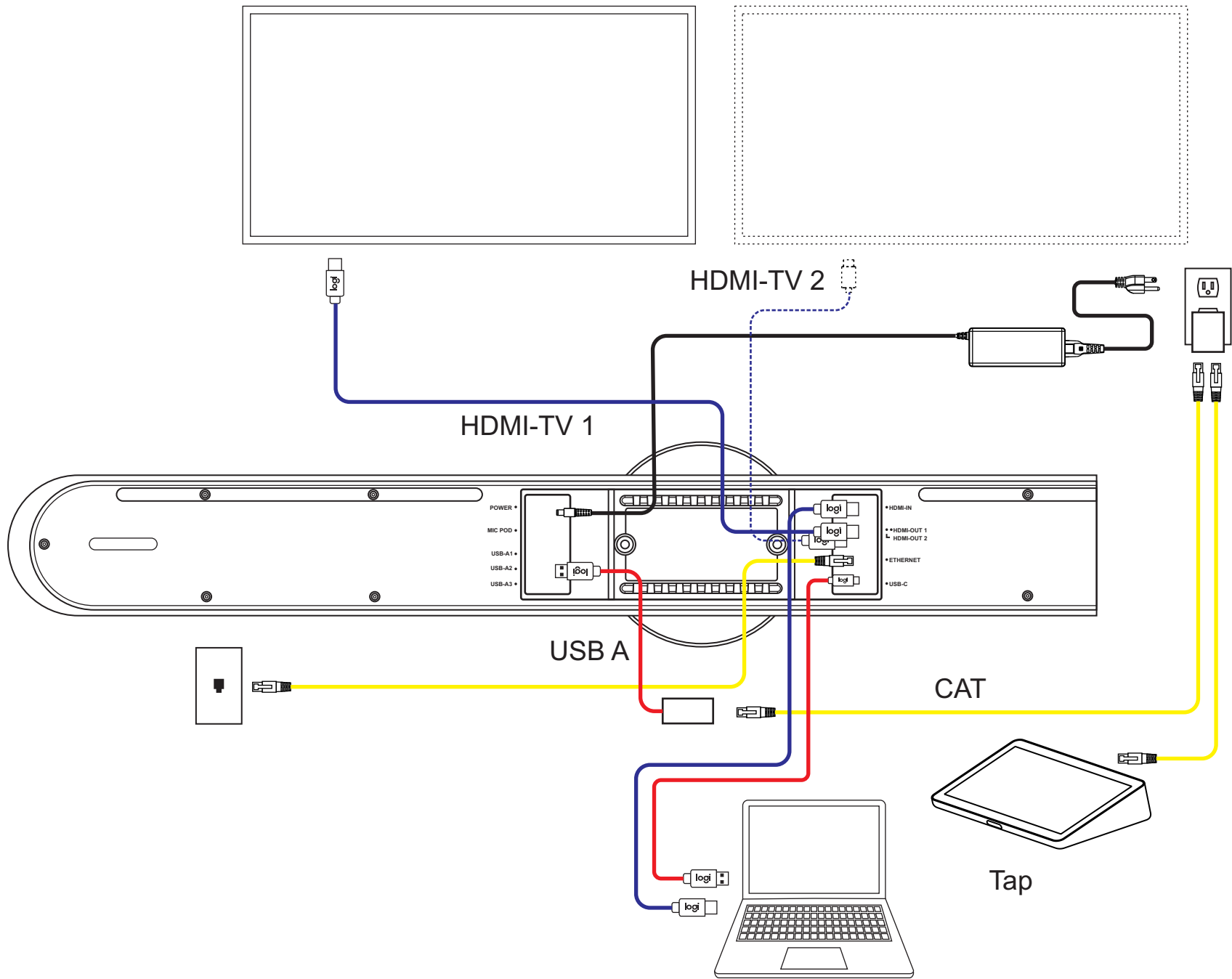
Rally Bar / Rally Bar Mini
Appliance Mode: Wired screen share (VC application dependent)



- CAT ■
- USB ■
- HDMI ■



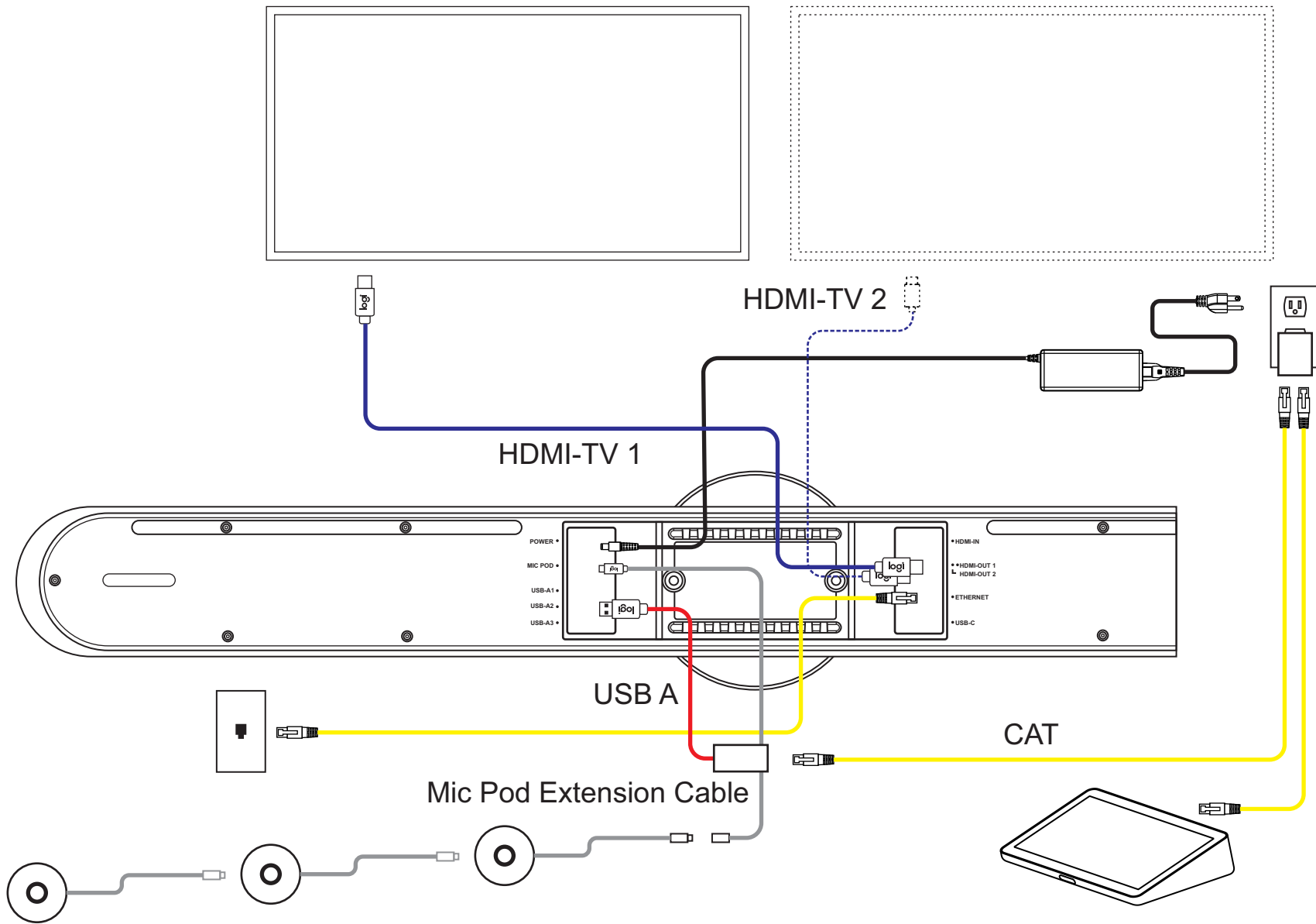
Rally Bar / Rally Bar Mini
Appliance Mode: Wired screen share (VC application dependent)



- CAT ■
- USB ■
- HDMI ■



Rally Bar / Rally Bar Mini
Appliance Mode: Temporary switch to USB mode

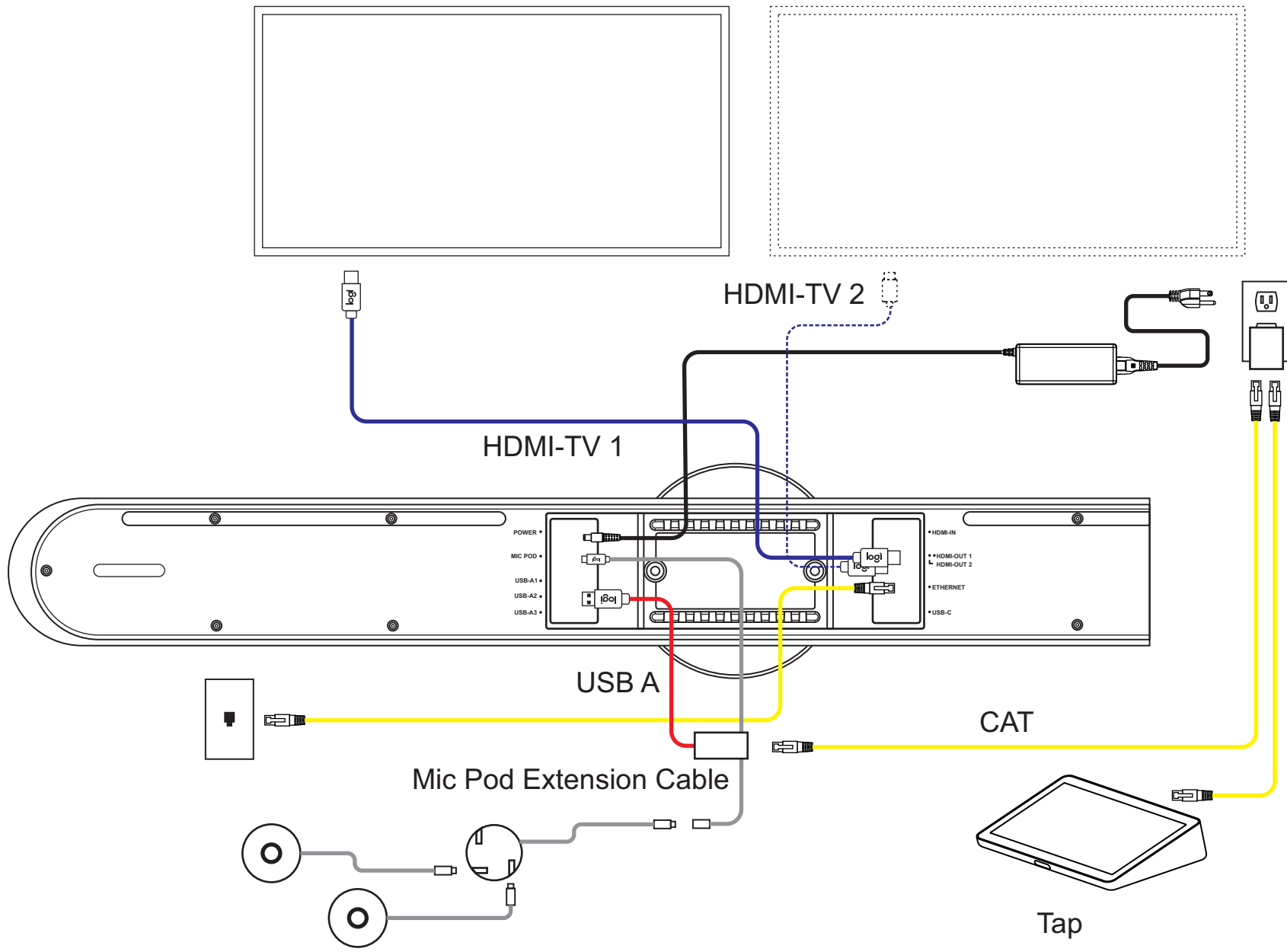


- CAT ■
- USB ■
- HDMI ■
- MIC ■



**Rally Bar / Rally Bar Mini
Appliance Mode**

Rally Bar max 4 Mic Pods; Rally Bar Mini max 3 Mic Pods

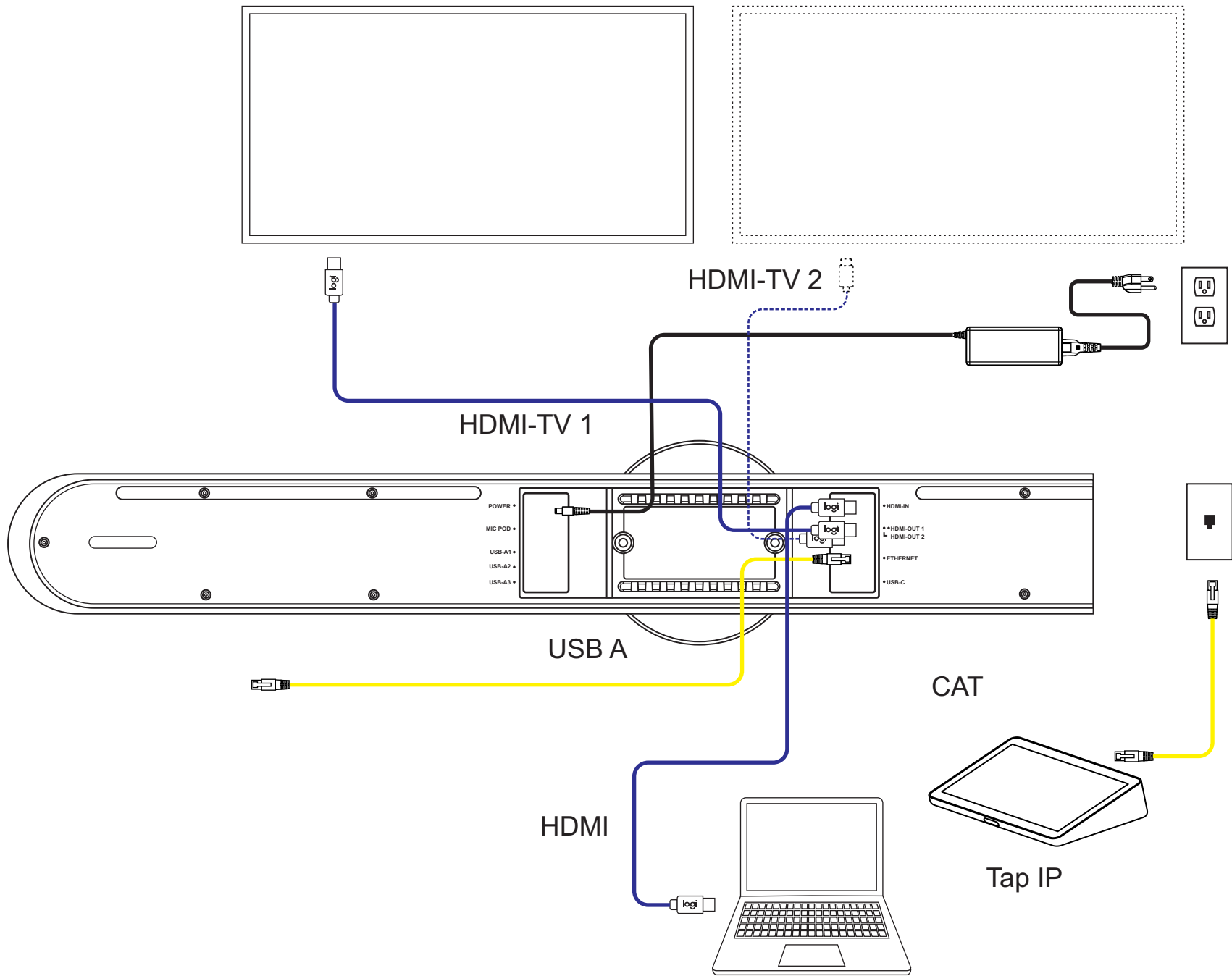


- CAT ■
- USB ■
- HDMI ■
- MIC ■



**Rally Bar / Rally Bar Mini
Appliance Mode:**

Rally Bar max 4 Mic Pods + 2 Mic Pod Hubs /Rally Bar Mini max 3 Mic Pods + 2 Mic Pod Hubs



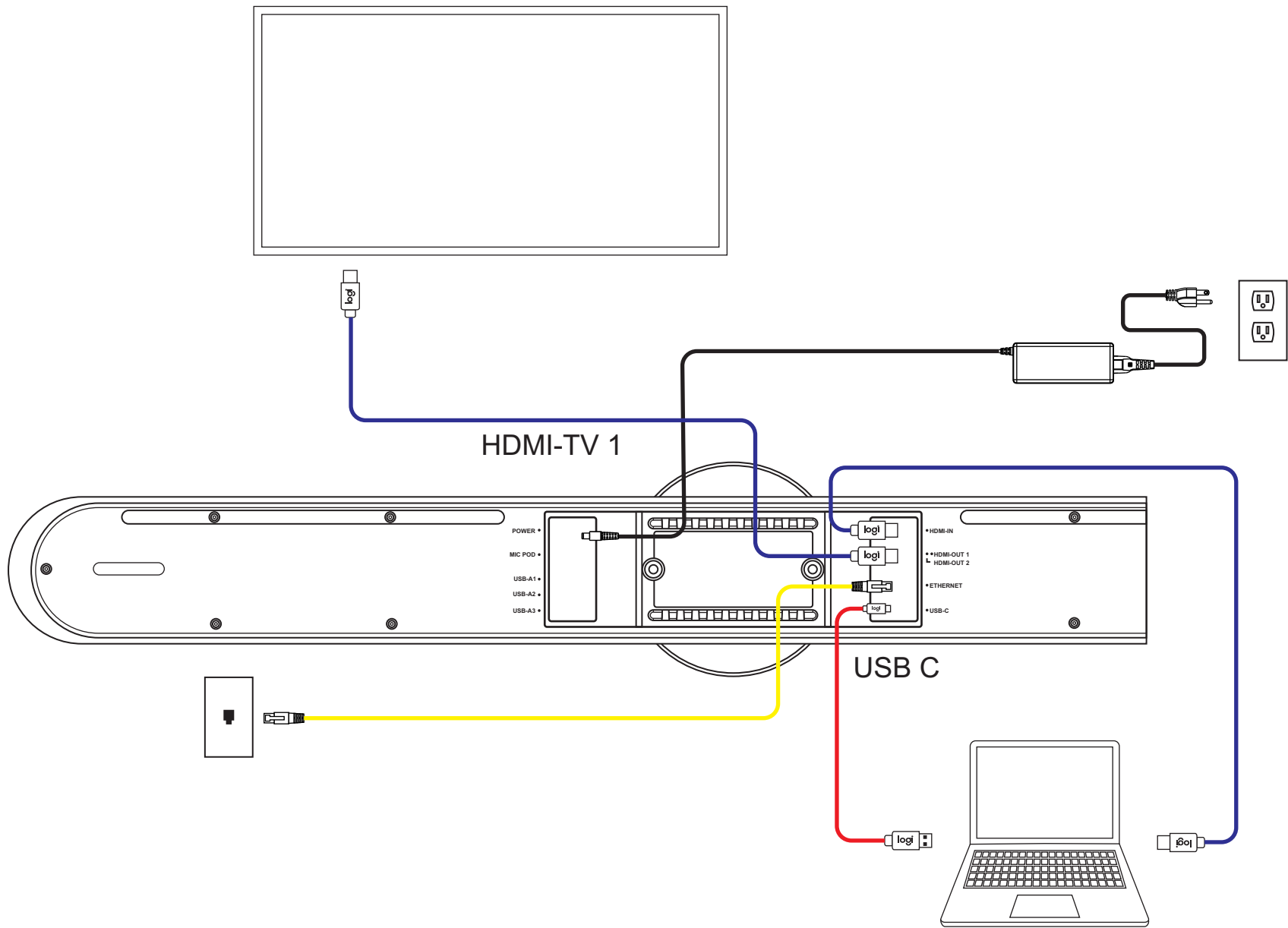
CAT ■
 USB ■
 HDMI ■



Rally Bar / Rally Bar Mini
Appliance Mode: Wired screen share (VC application dependent)

RALLY BAR & RALLY BAR MINI IN BYOD MODE

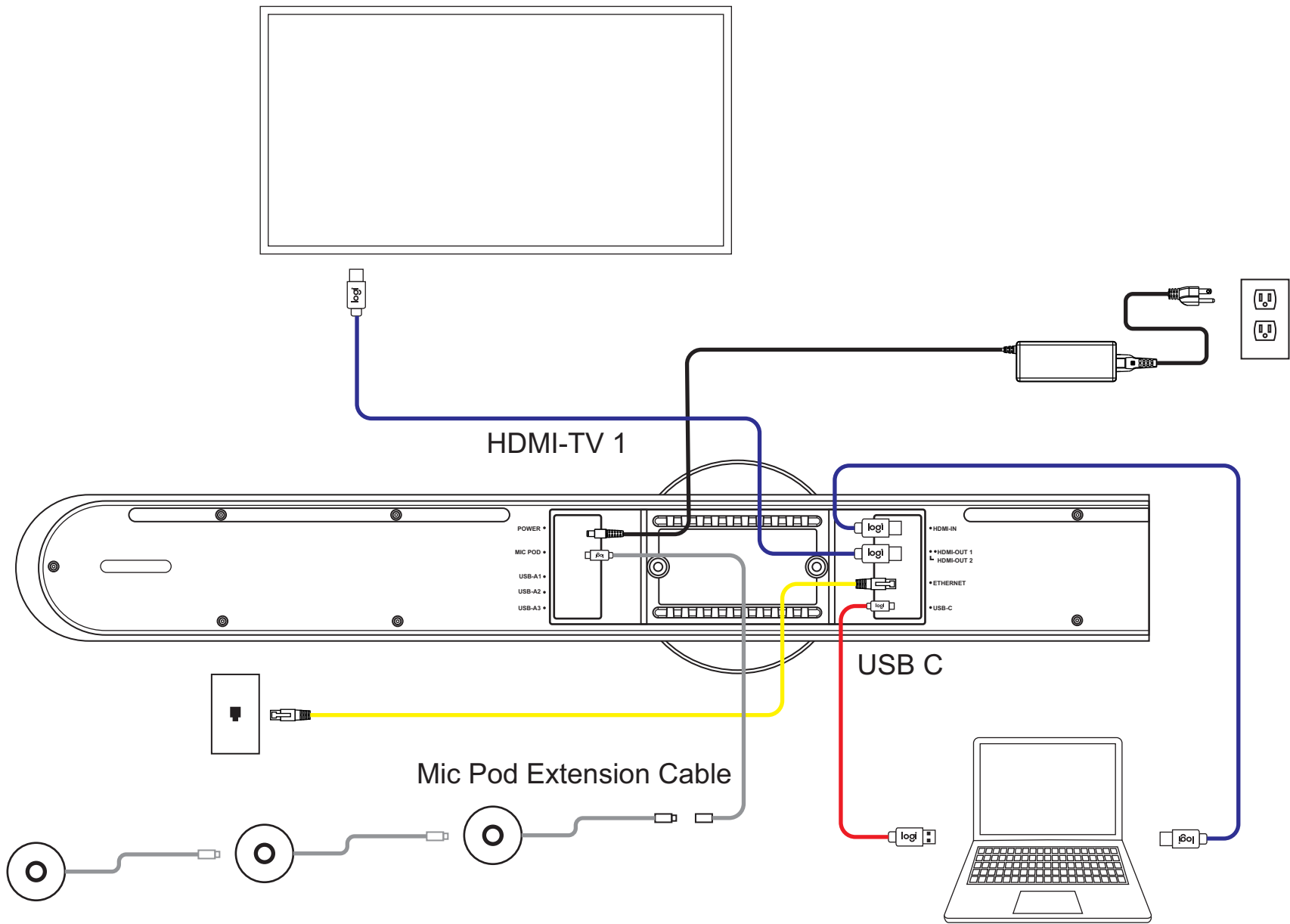
[Table of Contents](#)



- CAT ■
- USB ■
- HDMI ■



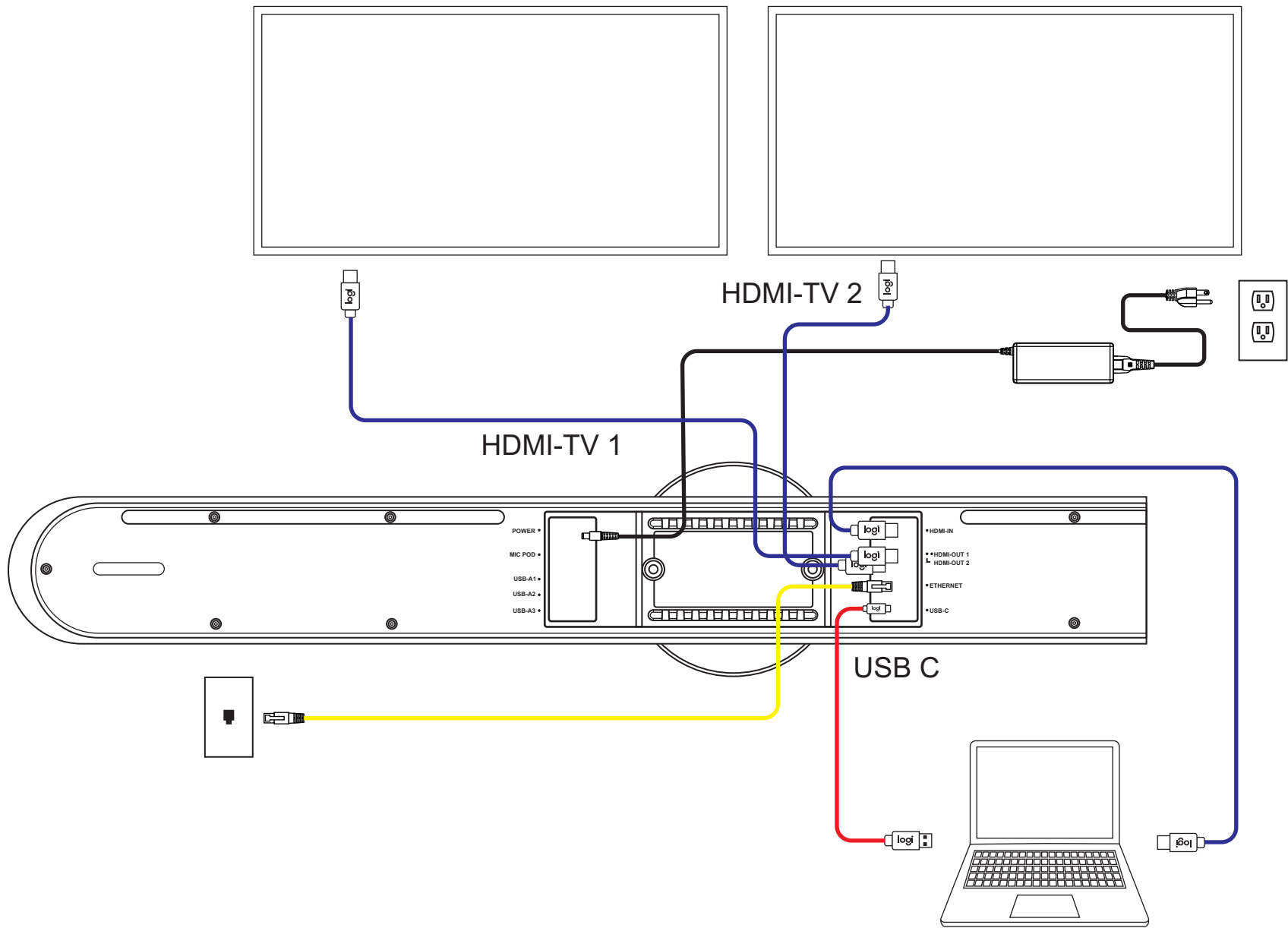
Rally Bar / Rally Bar Mini
BYOD Mode: Default configuration



- CAT
- USB
- HDMI
- MIC



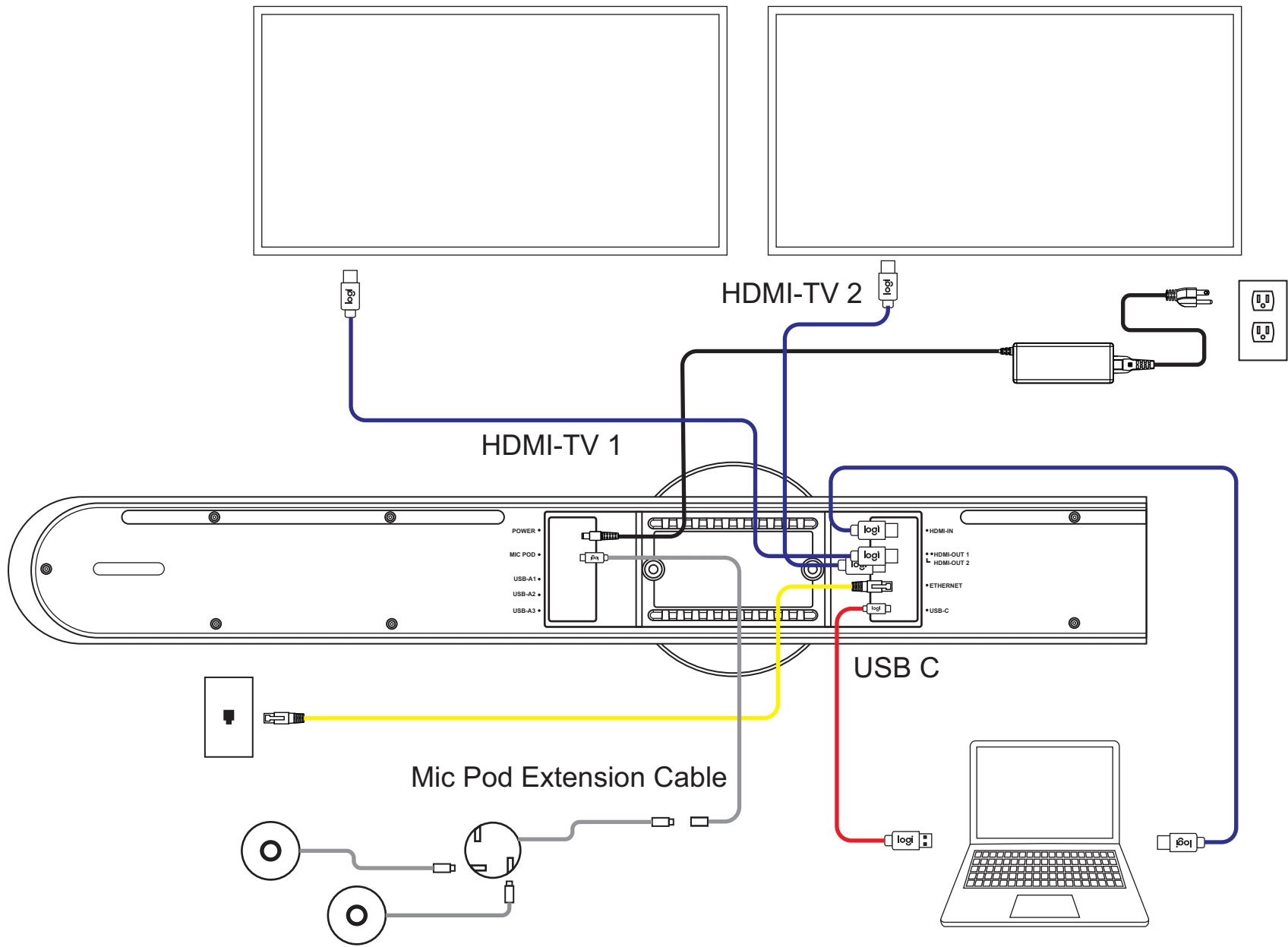
Rally Bar / Rally Bar Mini
BYOD Mode: Rally Bar up to 4 Mic Pods
Rally Bar Mini up to 3 Mic Pods



CAT ■
 USB ■
 HDMI ■



Rally Bar / Rally Bar Mini
BYOD Mode: Dual screens - screens are duplicated



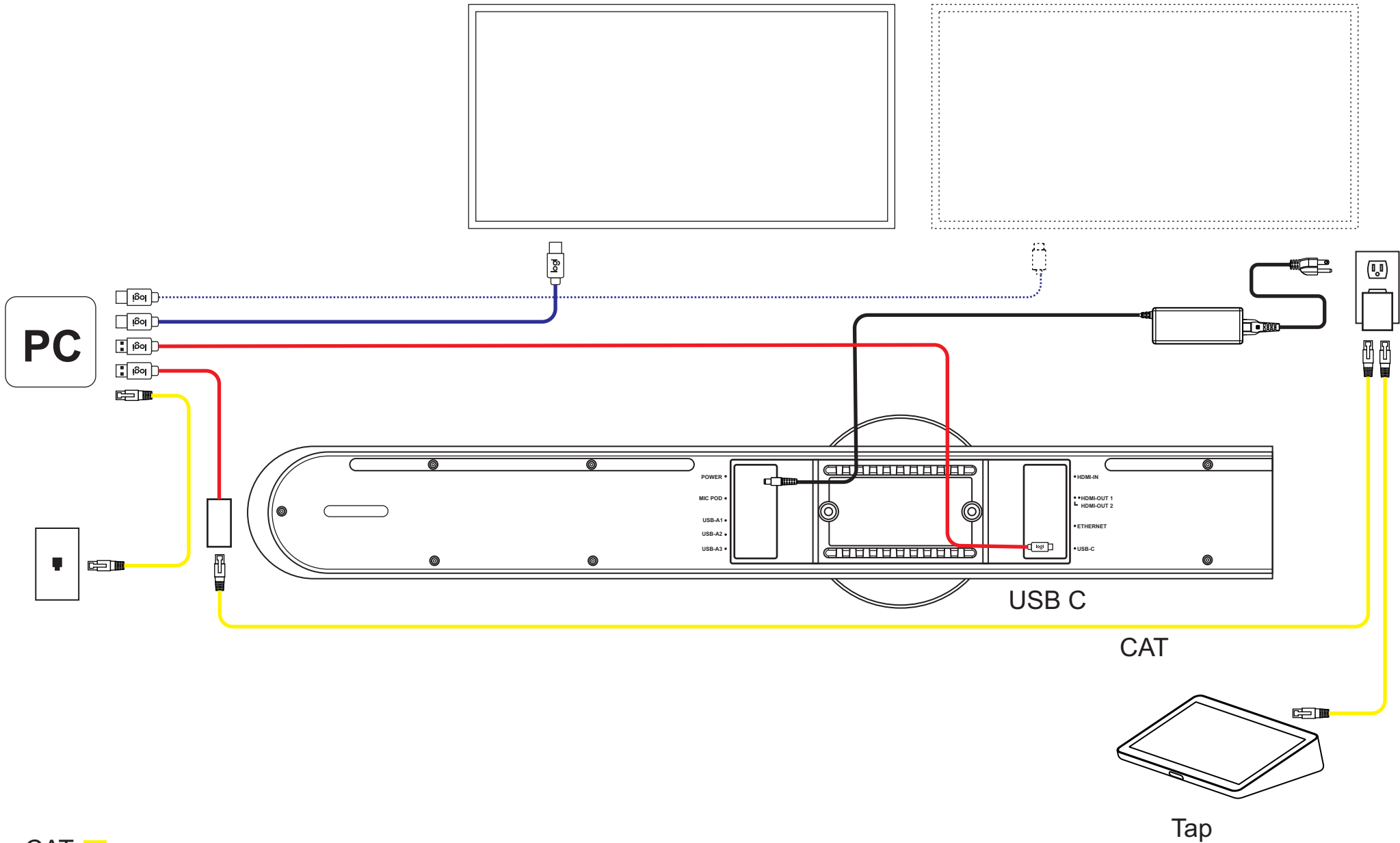
- CAT ■
- USB ■
- HDMI ■
- MIC ■



Rally Bar / Rally Bar Mini
BYOD Mode: Rally Bar max 4 Mic Pods + 2 Mic Pod Hubs /Rally Bar Mini max 3 Mic Pods + 2 Mic Pod Hubs

RALLY BAR & RALLY BAR MINI IN USB MODE

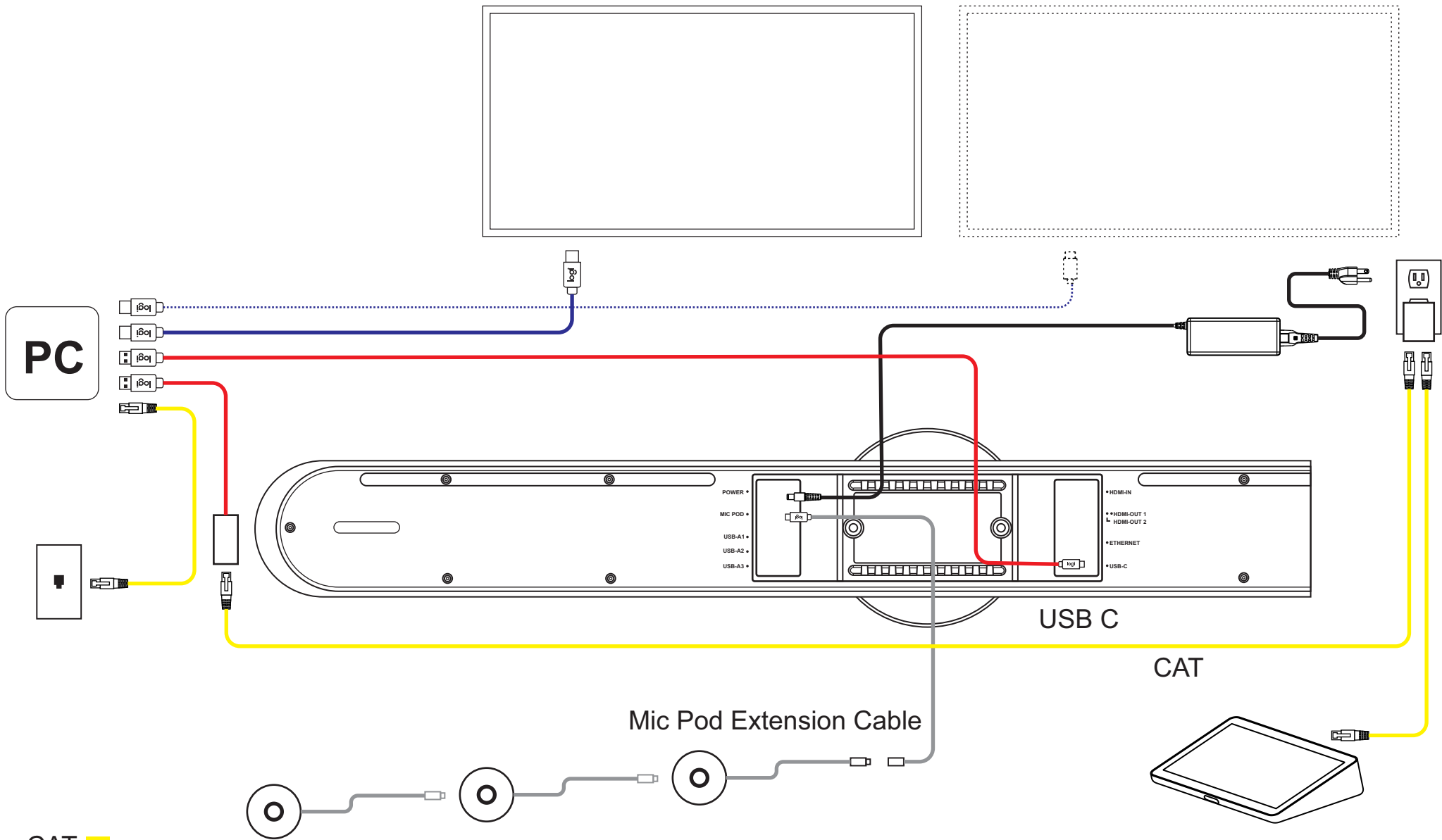
[Table of Contents](#)



- CAT ■
- USB ■
- HDMI ■



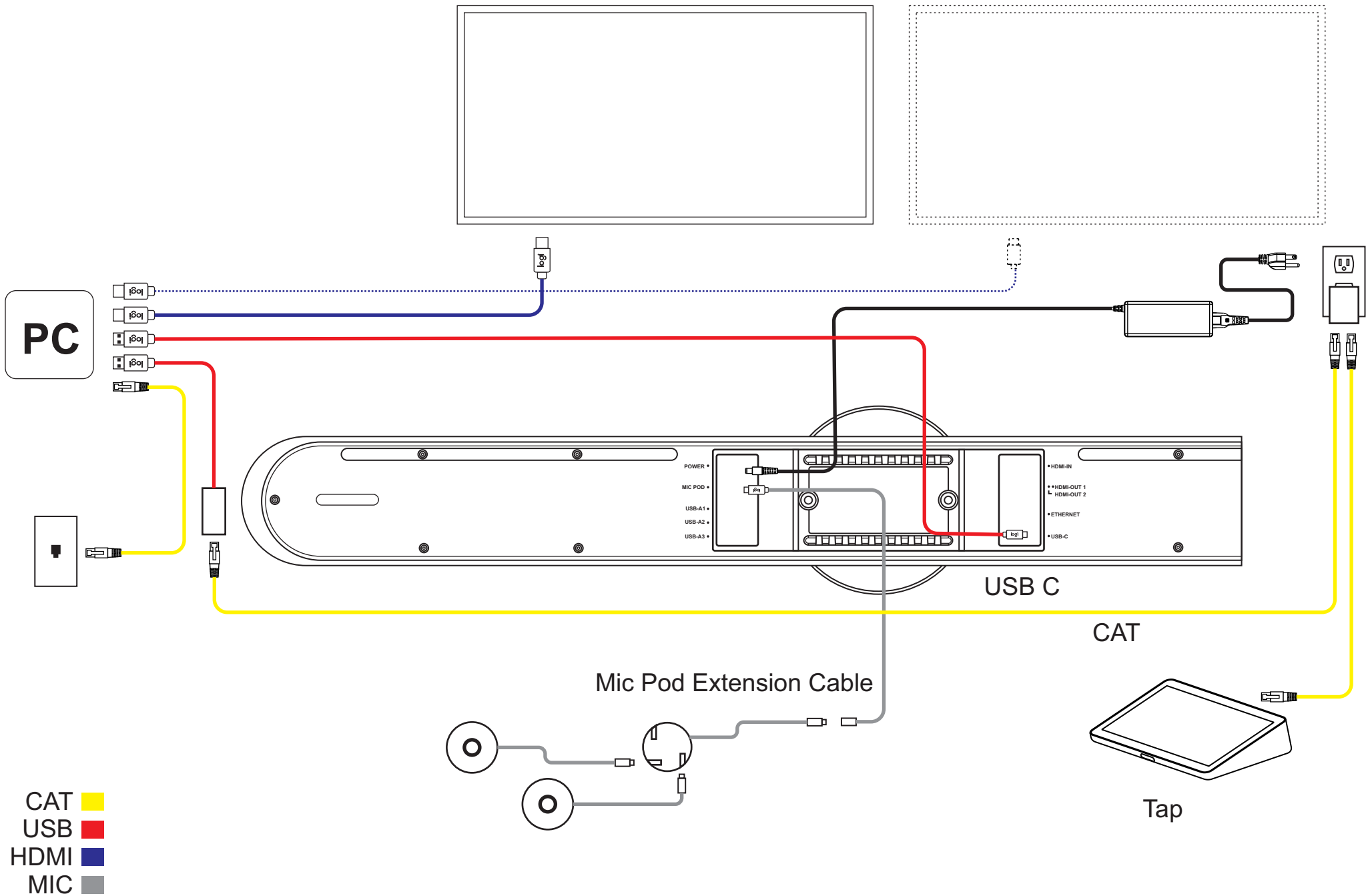
**Rally Bar / Rally Bar Mini
USB Mode: Default configuration**



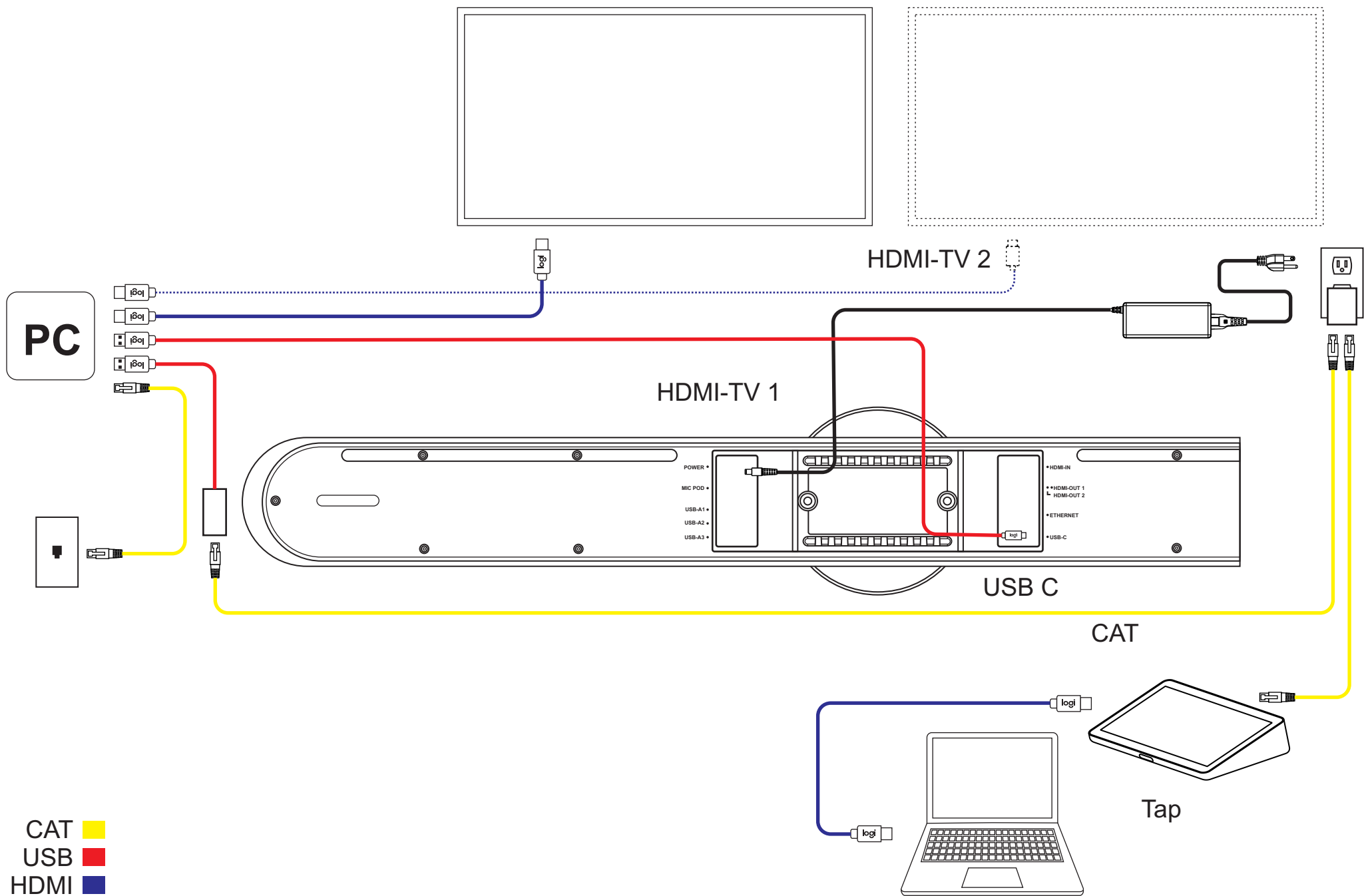
- CAT ■
- USB ■
- HDMI ■
- MIC ■



Rally Bar / Rally Bar Mini
USB Mode: Rally Bar up to 4 mic pods
Rally Bar Mini up to 3 mic pods



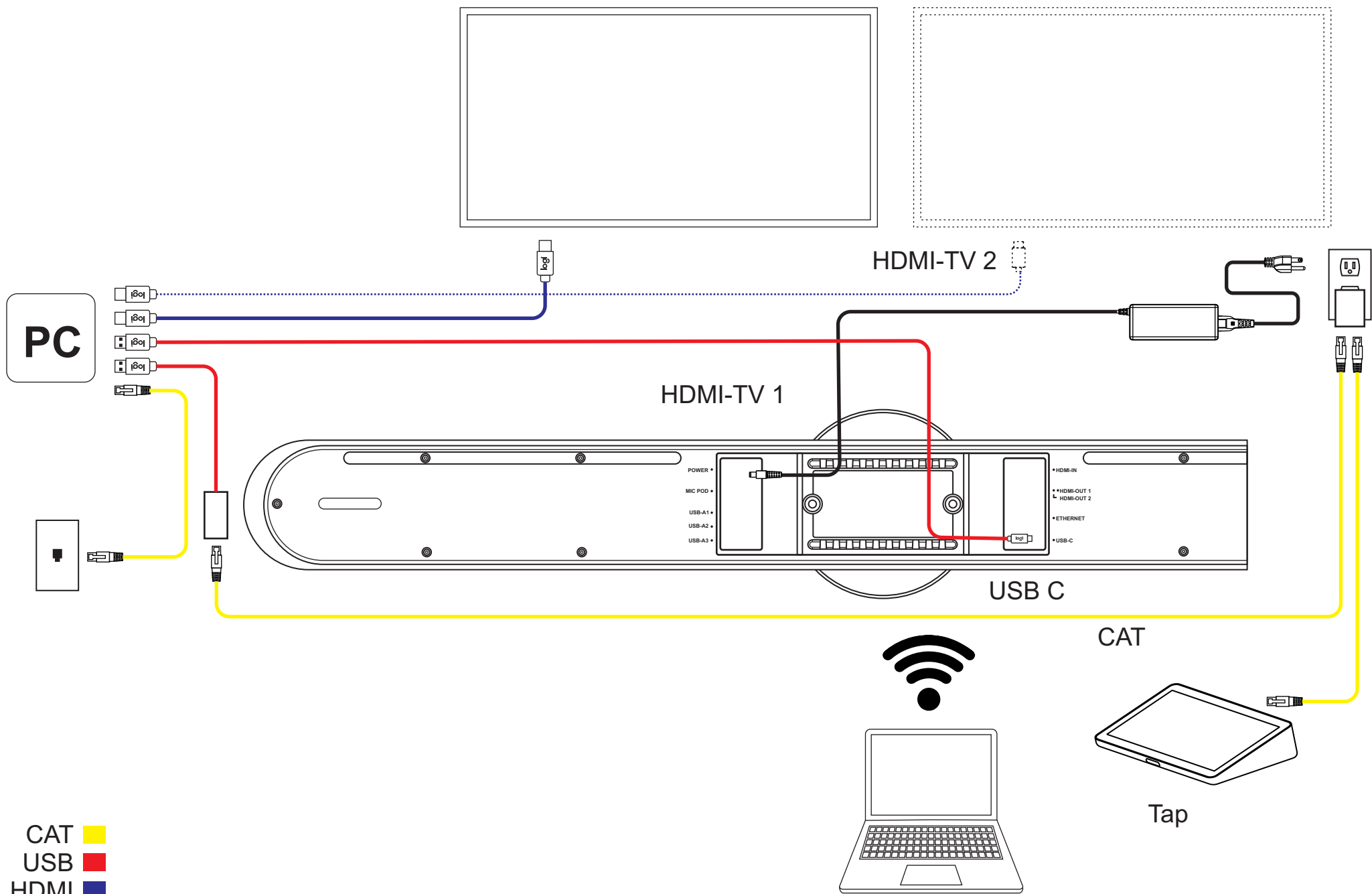
Rally Bar / Rally Bar Mini
USB Mode: Rally Bar max 4 Mic Pods + 2 Mic Pod Hubs /Rally Bar Mini max 3 Mic Pods + 2 Mic Pod Hubs



- CAT ■
- USB ■
- HDMI ■



Rally Bar / Rally Bar Mini
USB Mode: Wired screen share (VC application dependent)



CAT ■
 USB ■
 HDMI ■

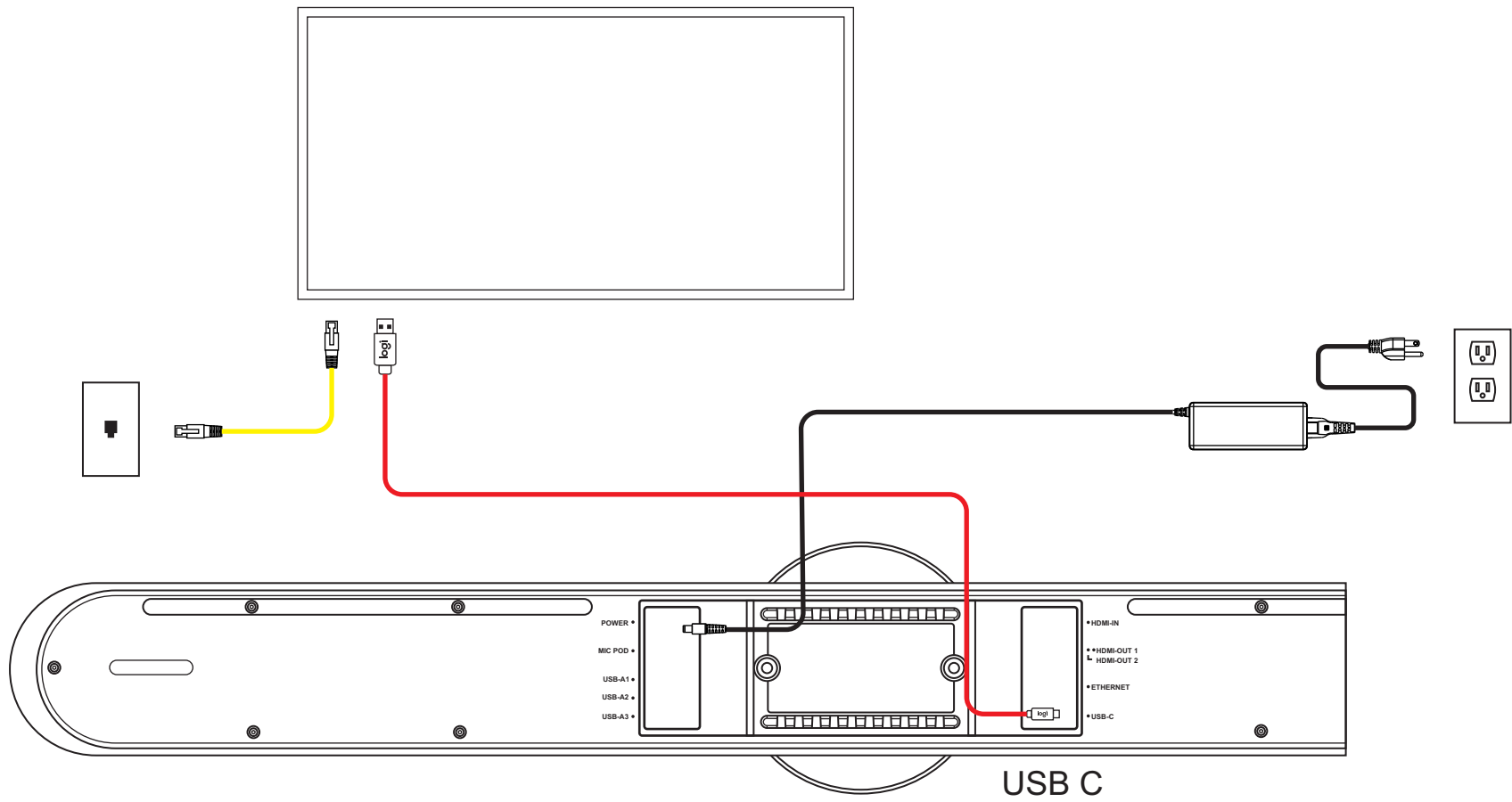


Rally Bar / Rally Bar Mini

USB Mode: Wireless screen share through VC application (VC application dependent)

RALLY BAR, RALLY BAR MINI & ROOMMATE WITH INTERACTIVE TOUCH SCREENS

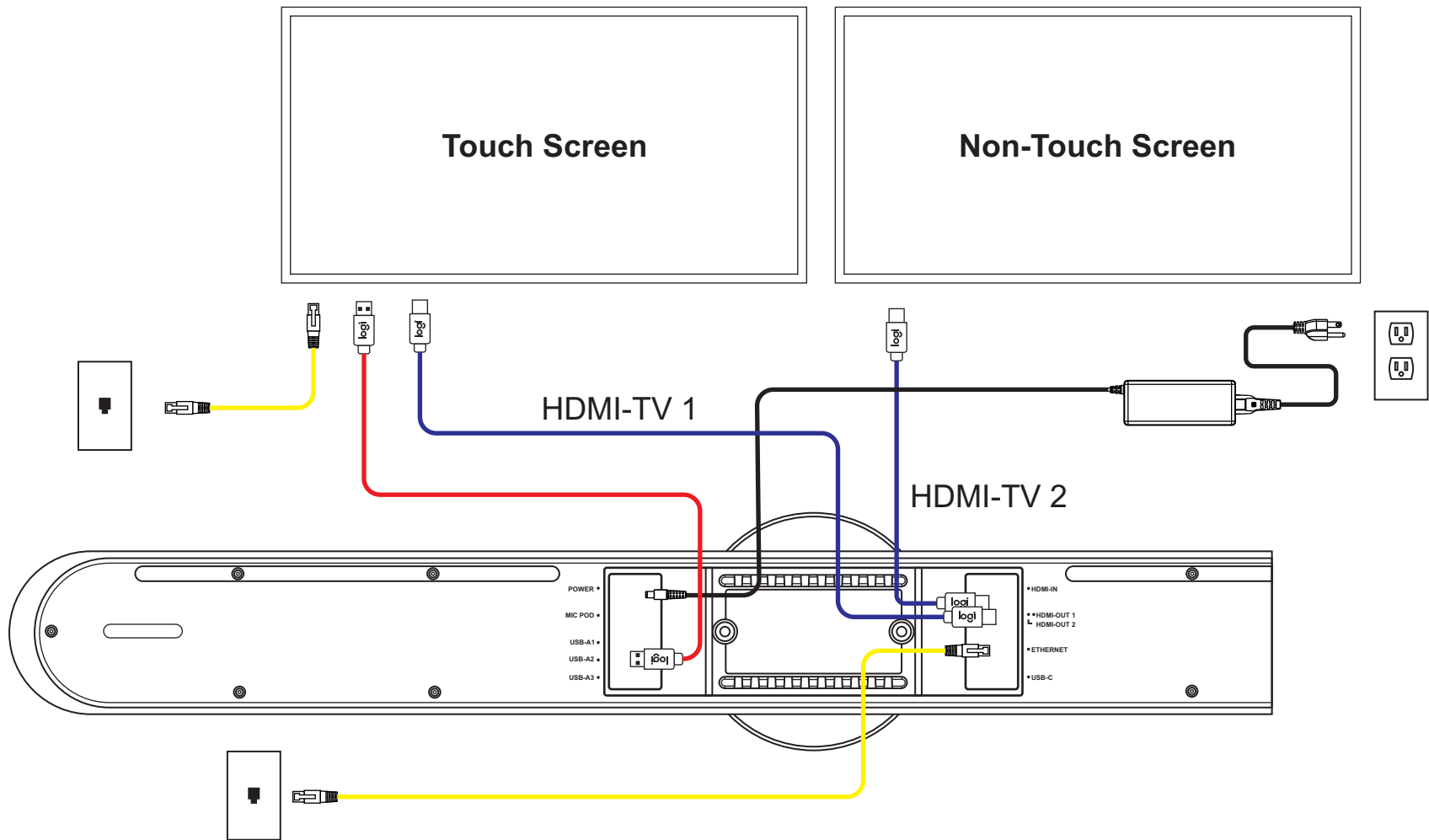
[Table of Contents](#)



CAT ■
 USB ■
 HDMI ■



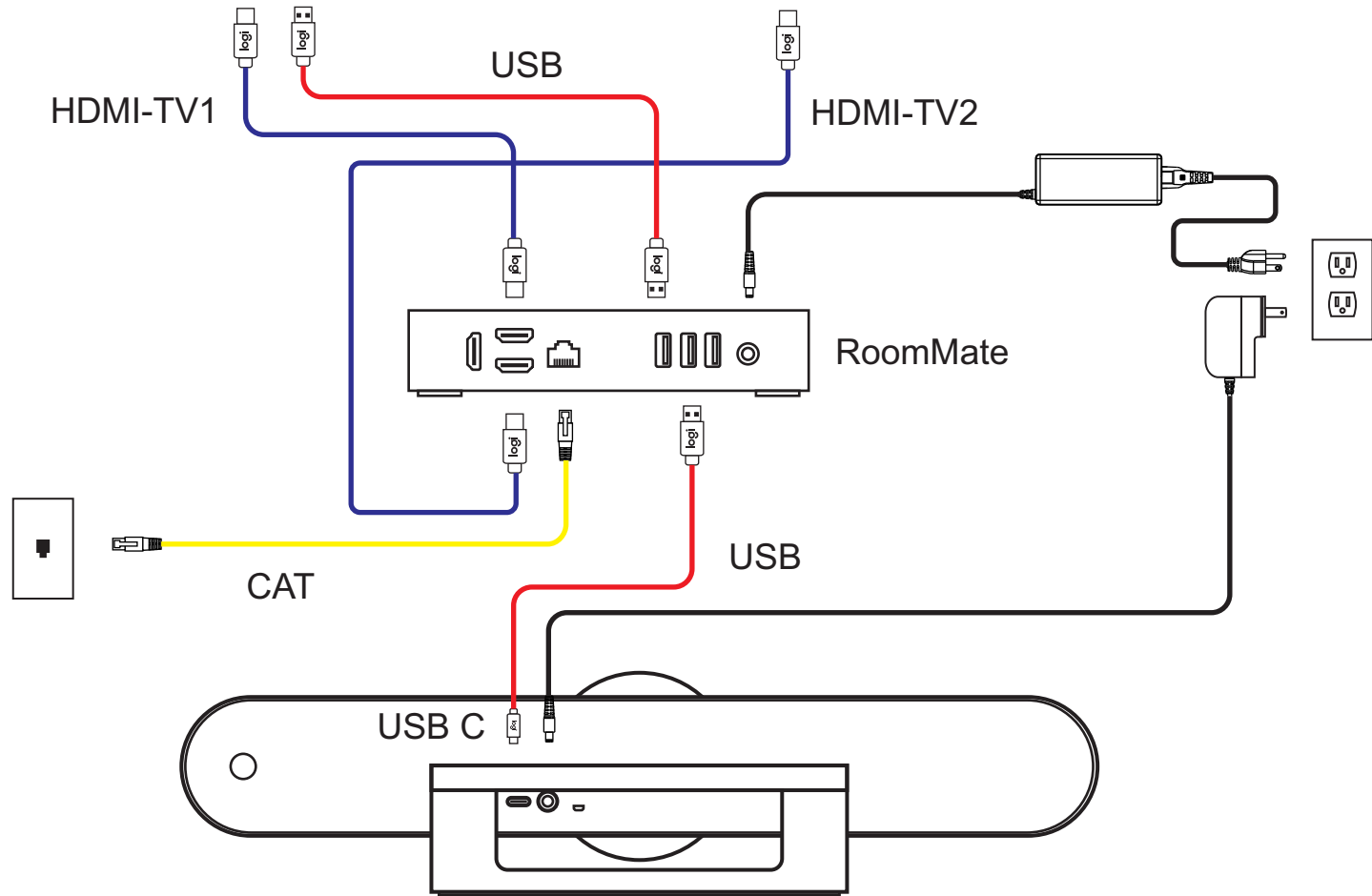
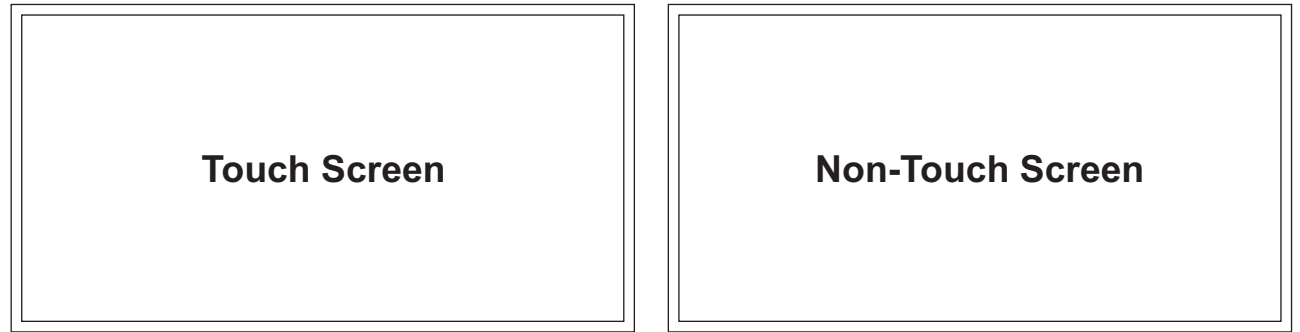
Rally Bar / Rally Bar Mini
USB Mode: Touch panel with built-in computer
 Tap USB not supported in touch screen environments



CAT ■
 USB ■
 HDMI ■



Rally Bar / Rally Bar Mini
Appliance Mode: Touch screen
 Tap USB not supported in touch screen environments
 Second screen not supported in Teams



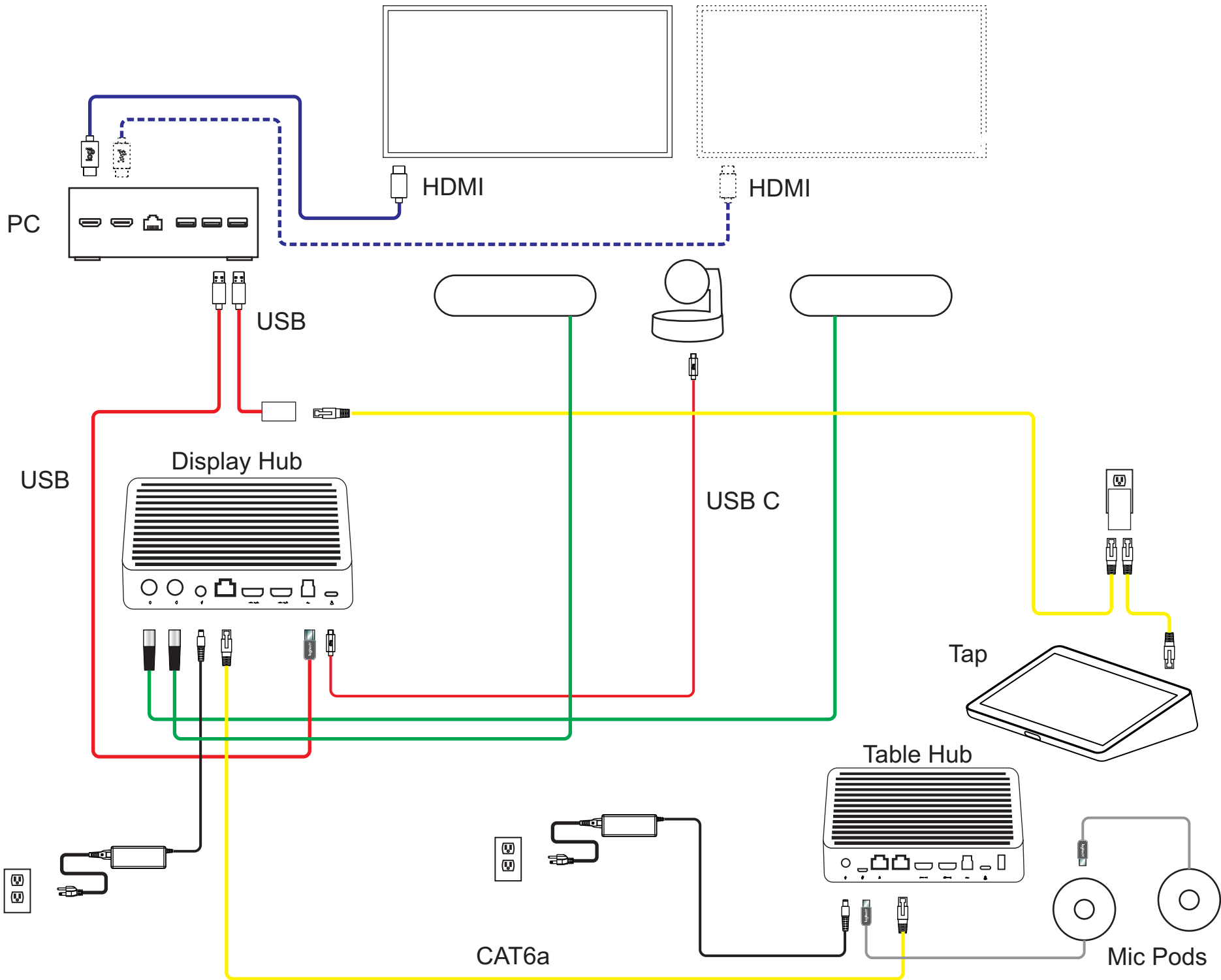
CAT ■
 USB ■
 HDMI ■



**RoomMate and MeetUp
 Appliance Mode: Touch screen
 Tap USB not supported in touch screen environments
 Second screen not supported in Teams**

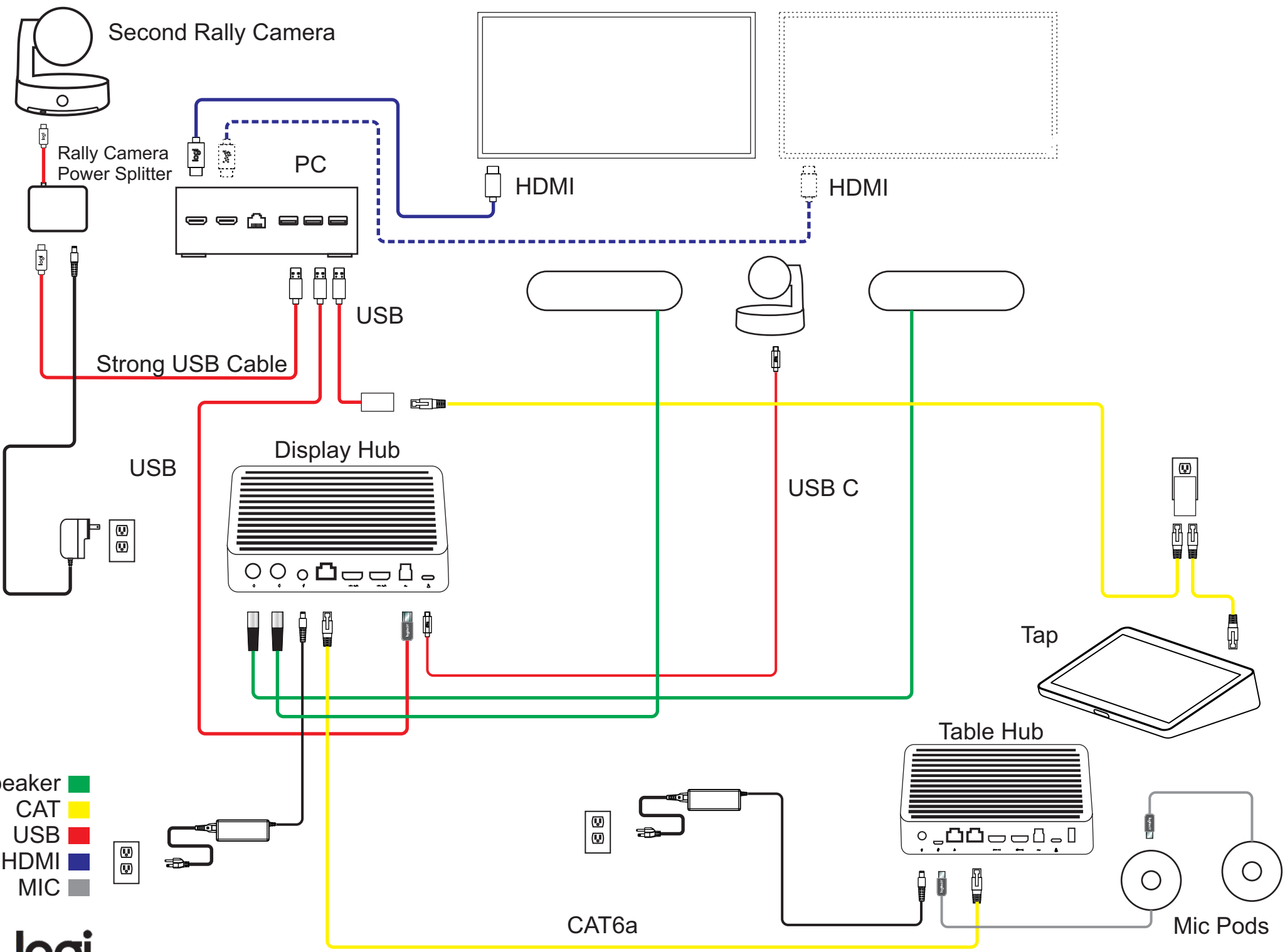
RALLY & RALLY PLUS

[Table of Contents](#)



- Speaker ■
- CAT ■
- USB ■
- HDMI ■
- MIC ■





Second Rally Camera

Rally Camera Power Splitter

PC

HDMI

HDMI

USB

Strong USB Cable

USB

Display Hub

USB C

Tap

Table Hub

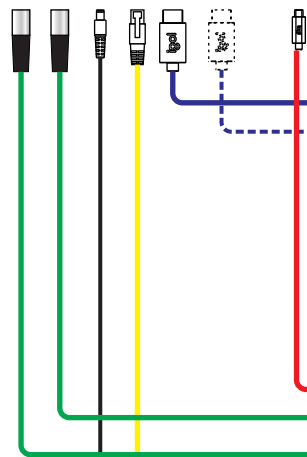
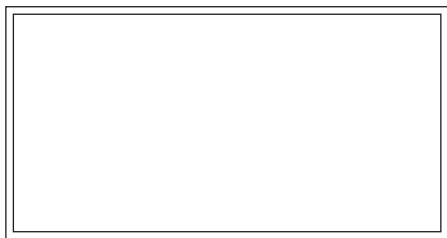
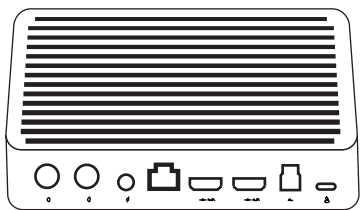
CAT6a

Mic Pods

- Speaker ■
- CAT ■
- USB ■
- HDMI ■
- MIC ■

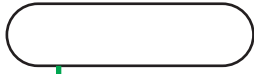
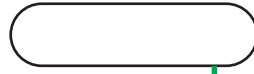


Display Hub

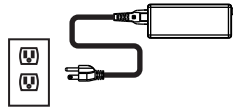


HDMI

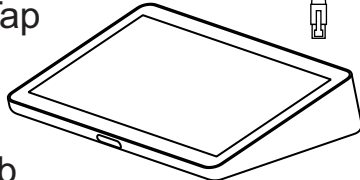
HDMI



USB C



Tap

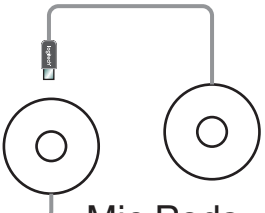
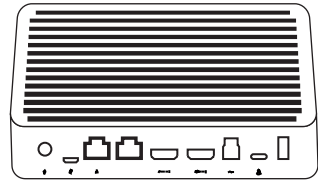


USB

PC



Table Hub



Mic Pods

HDMI

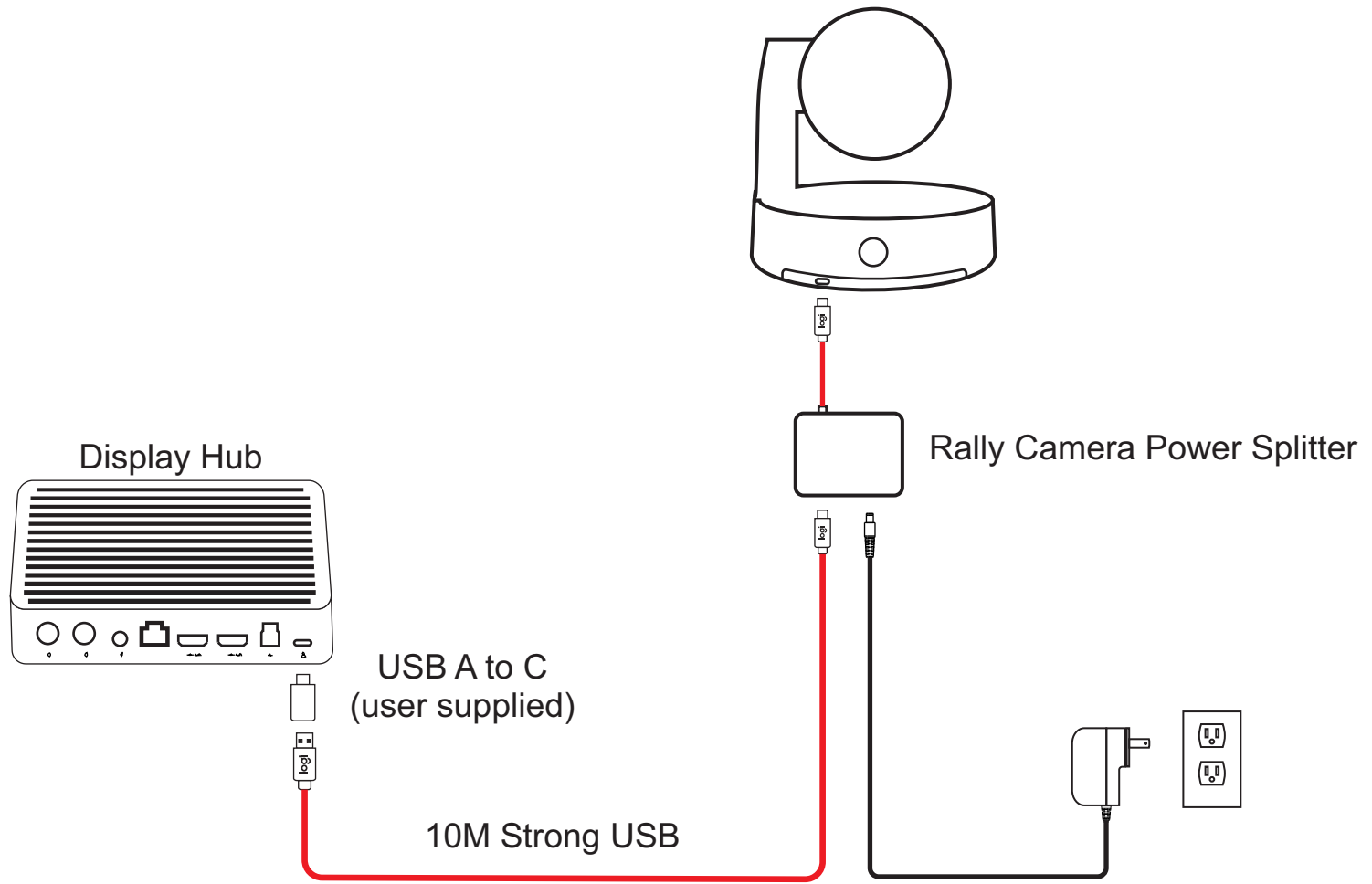
HDMI

USB

CAT6a

- Speaker ■
- CAT ■
- USB ■
- HDMI ■
- MIC ■





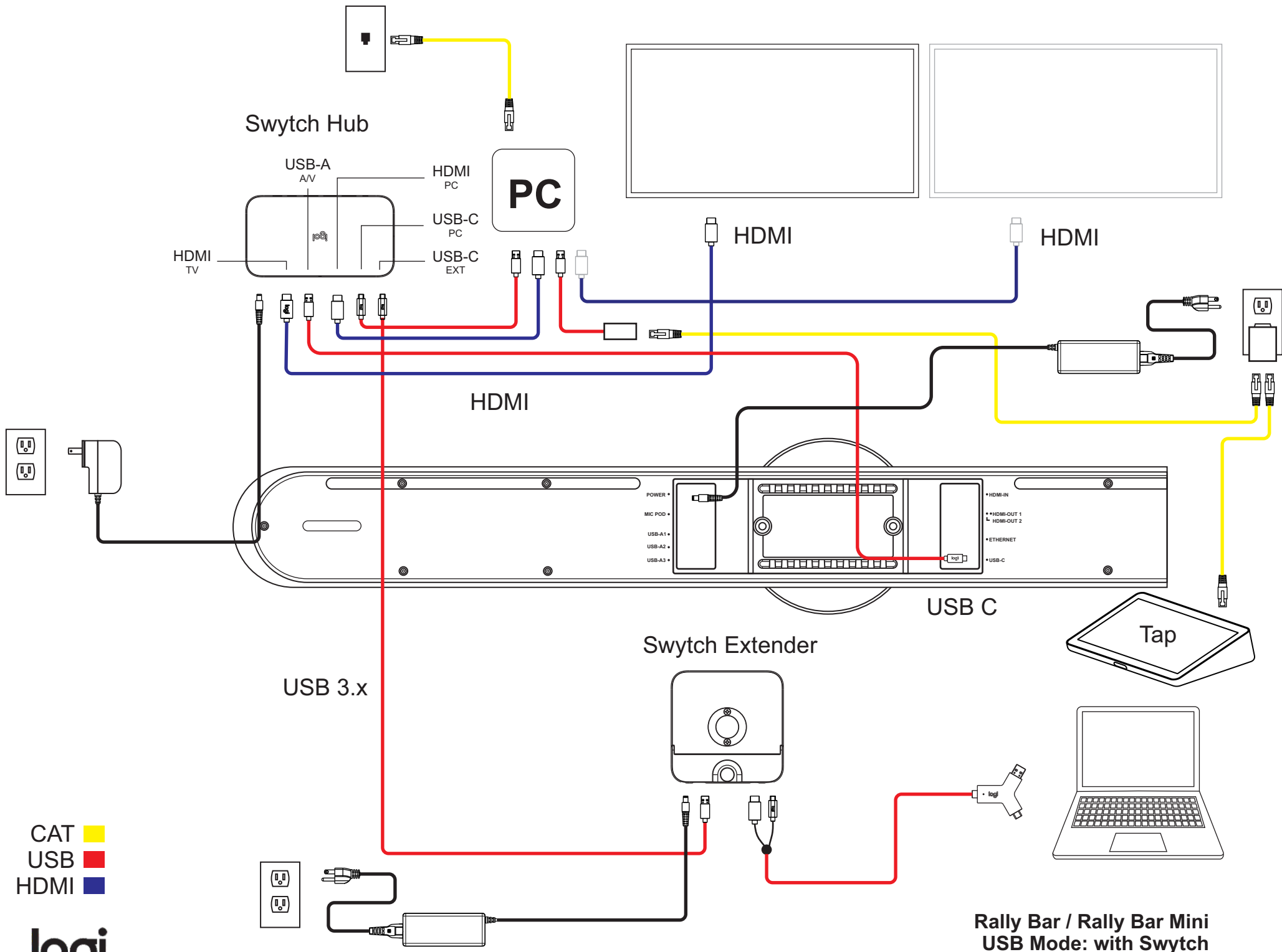
USB ■



Rally Plus: Extending the USB cable between the camera and Display Hub
Please note: this configuration does not work with Swytch

SWYTCH

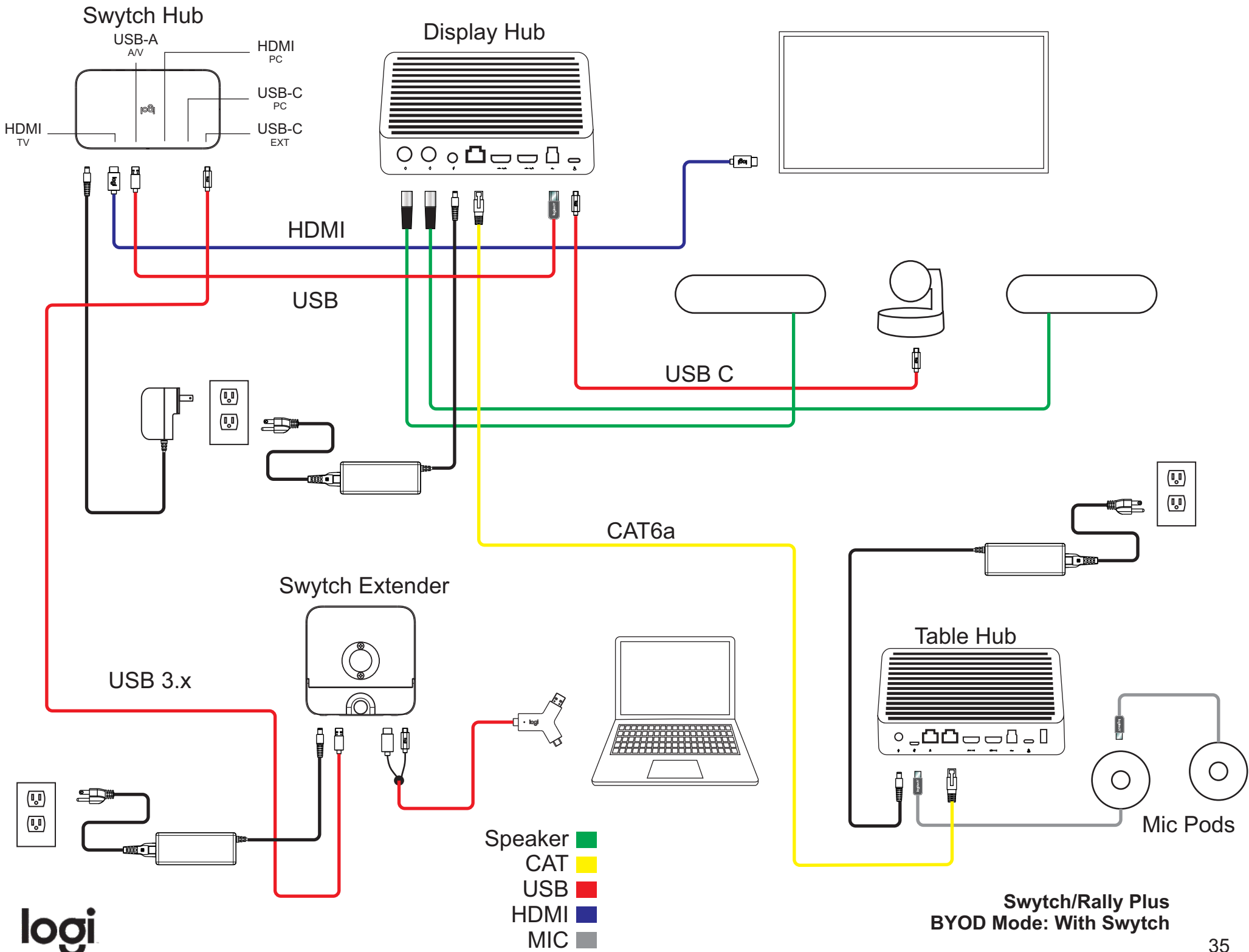
[Table of Contents](#)

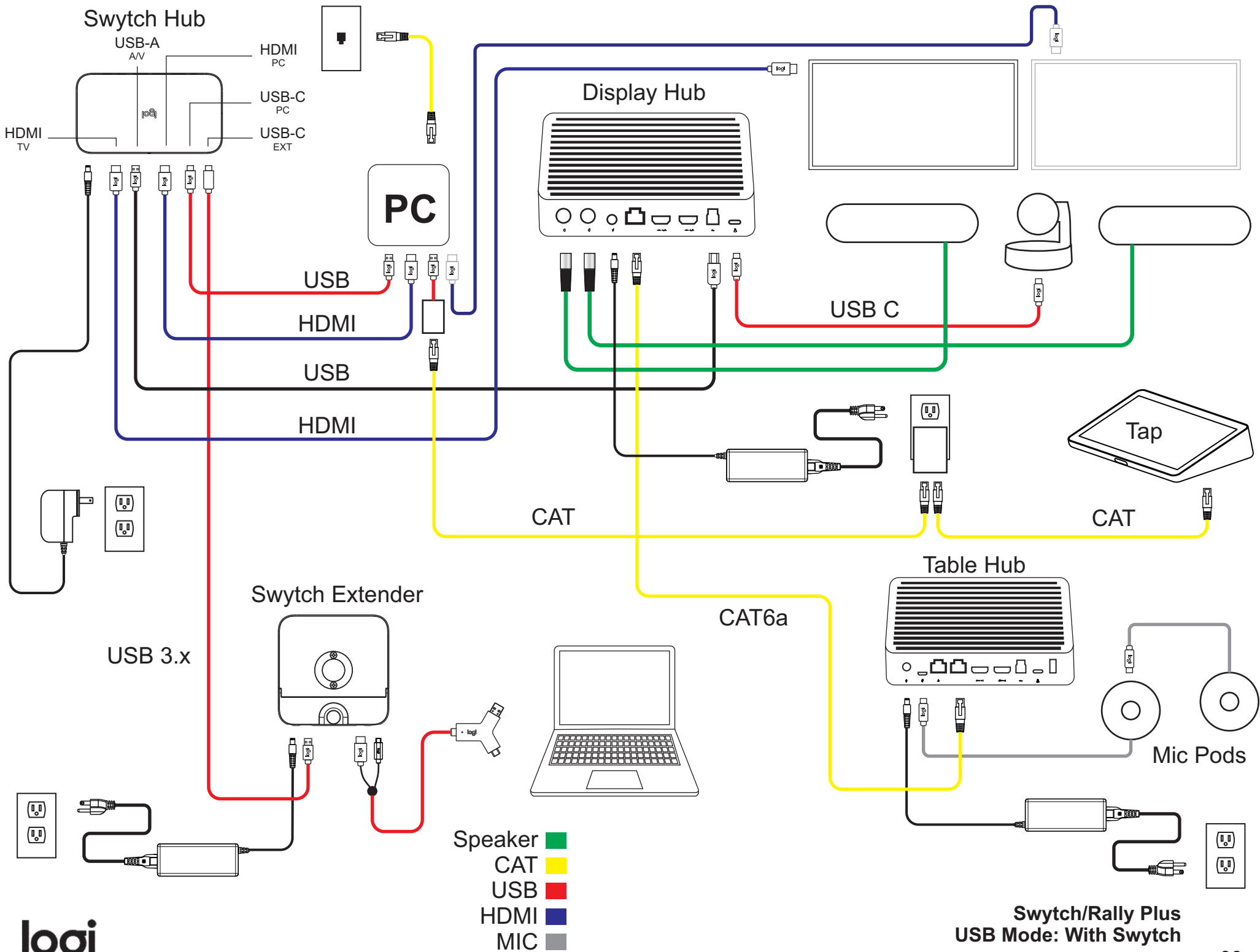


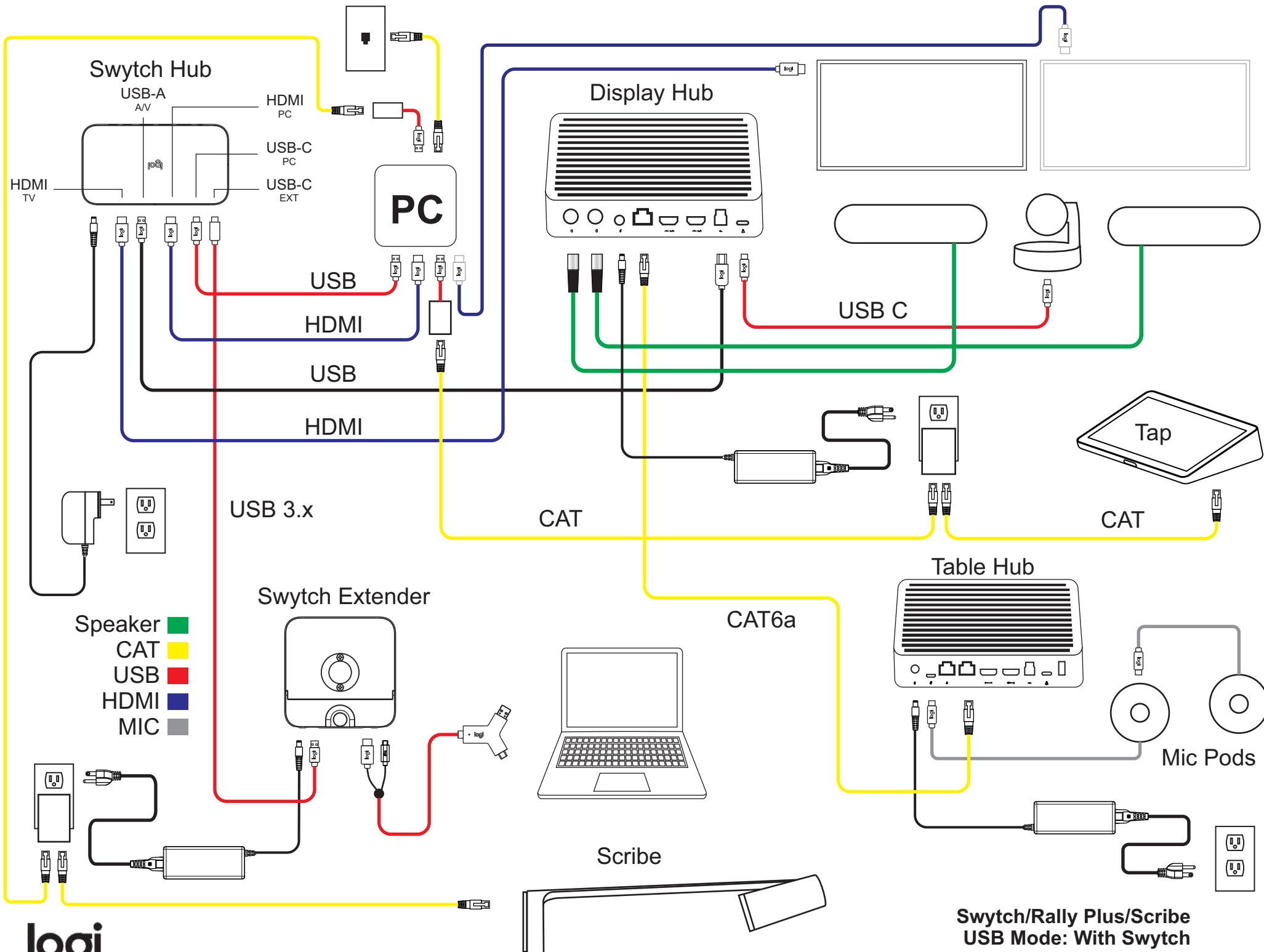
CAT
USB
HDMI

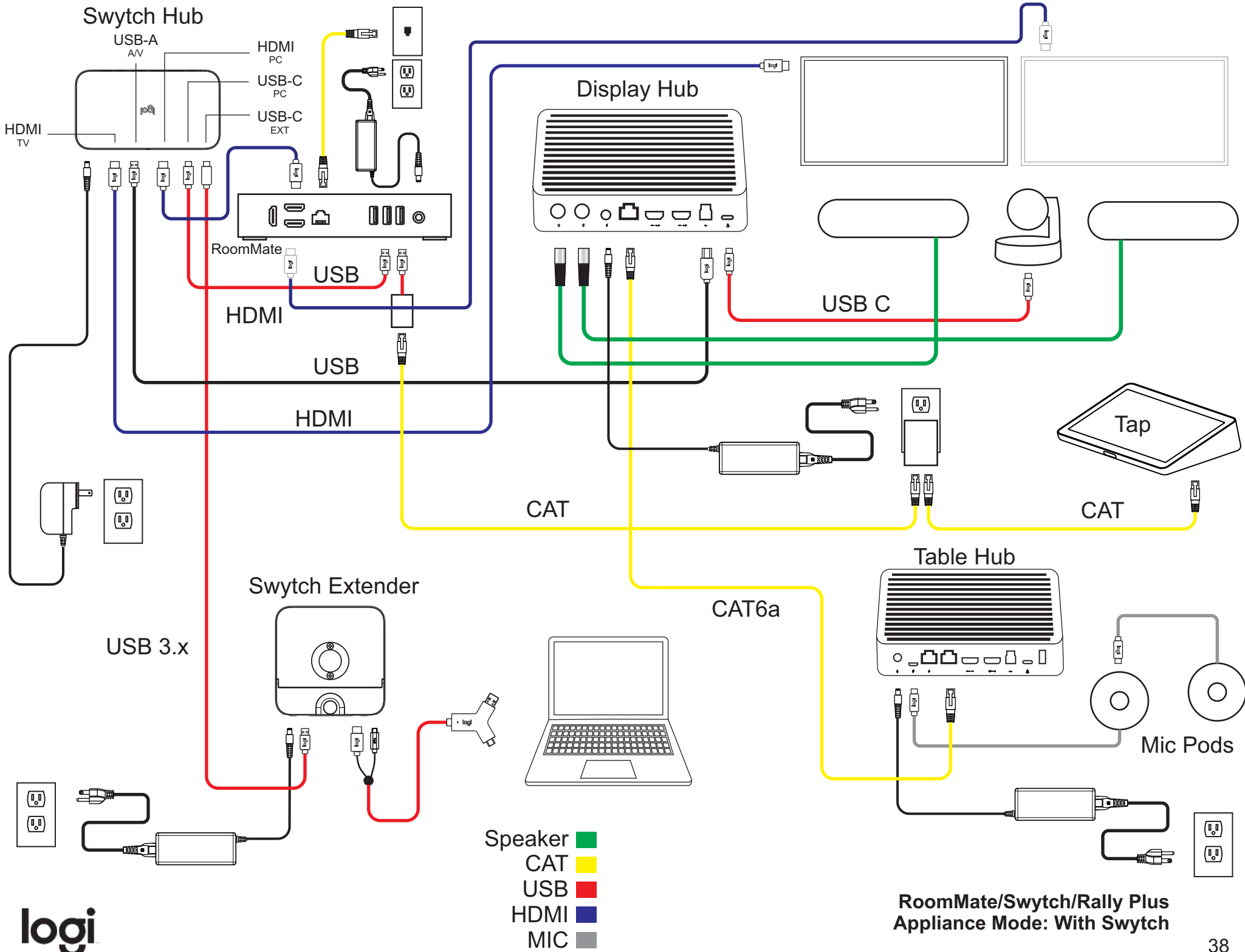
logi

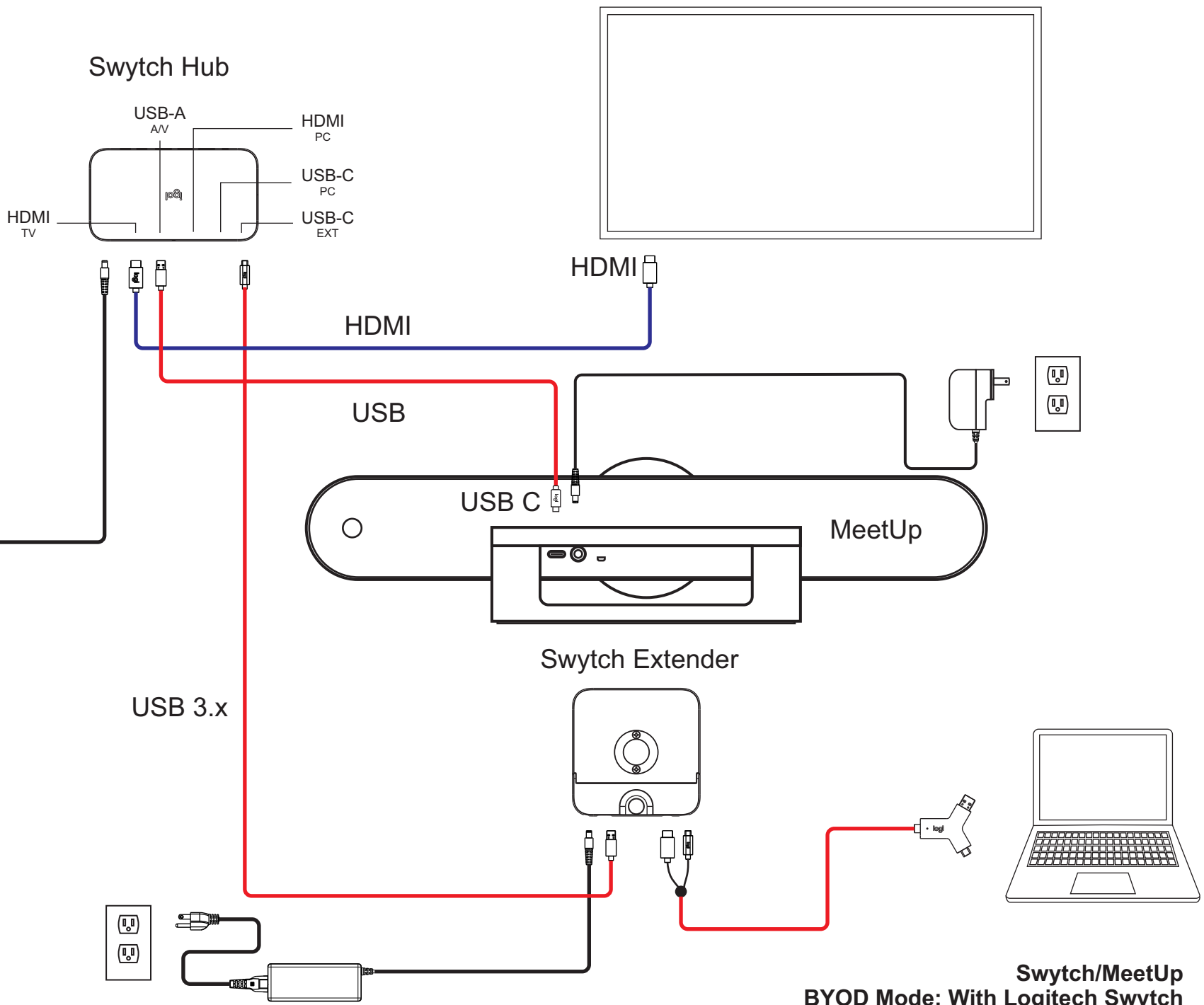
Rally Bar / Rally Bar Mini
USB Mode: with Switch







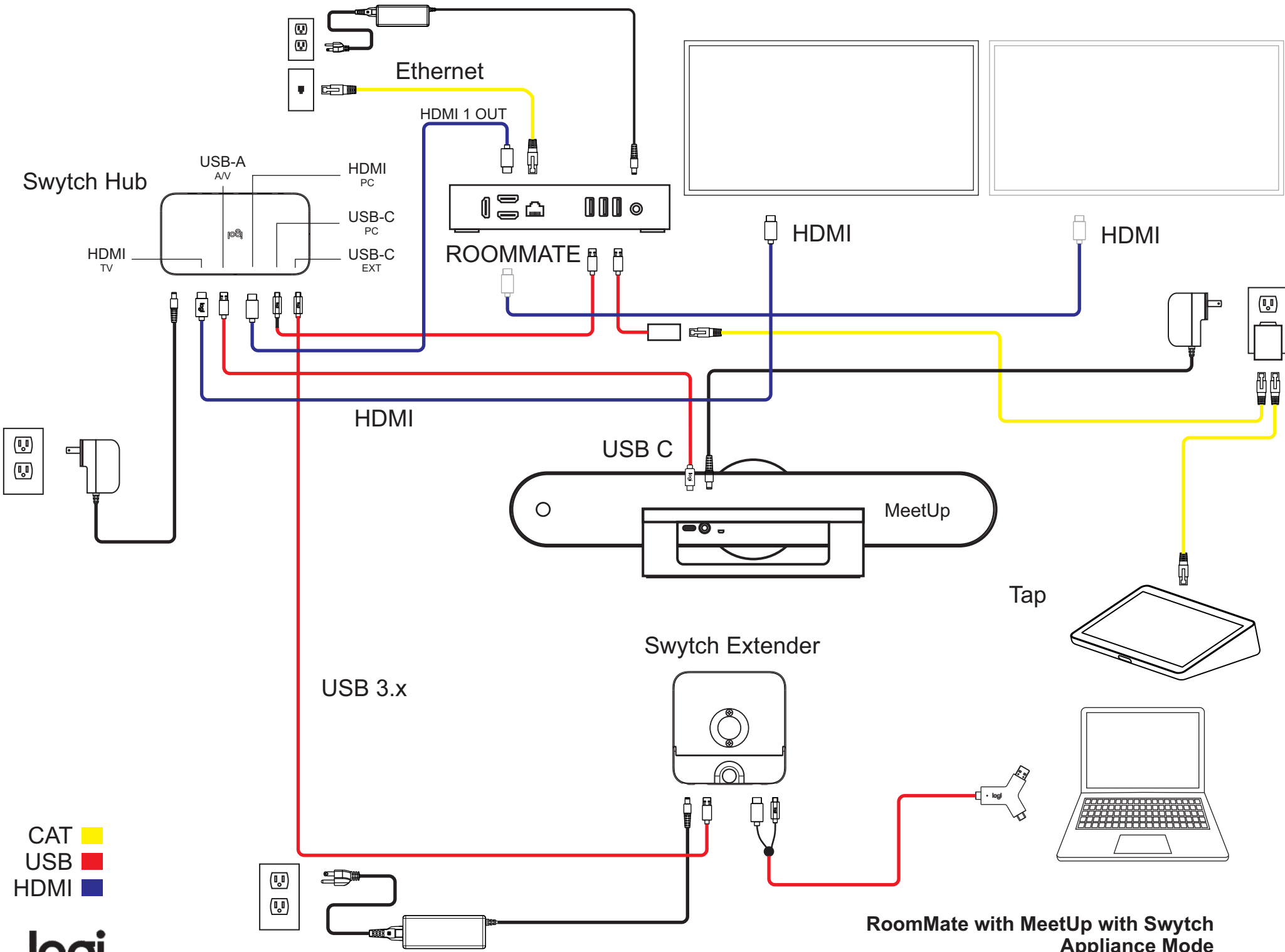




CAT ■
 USB ■
 HDMI ■



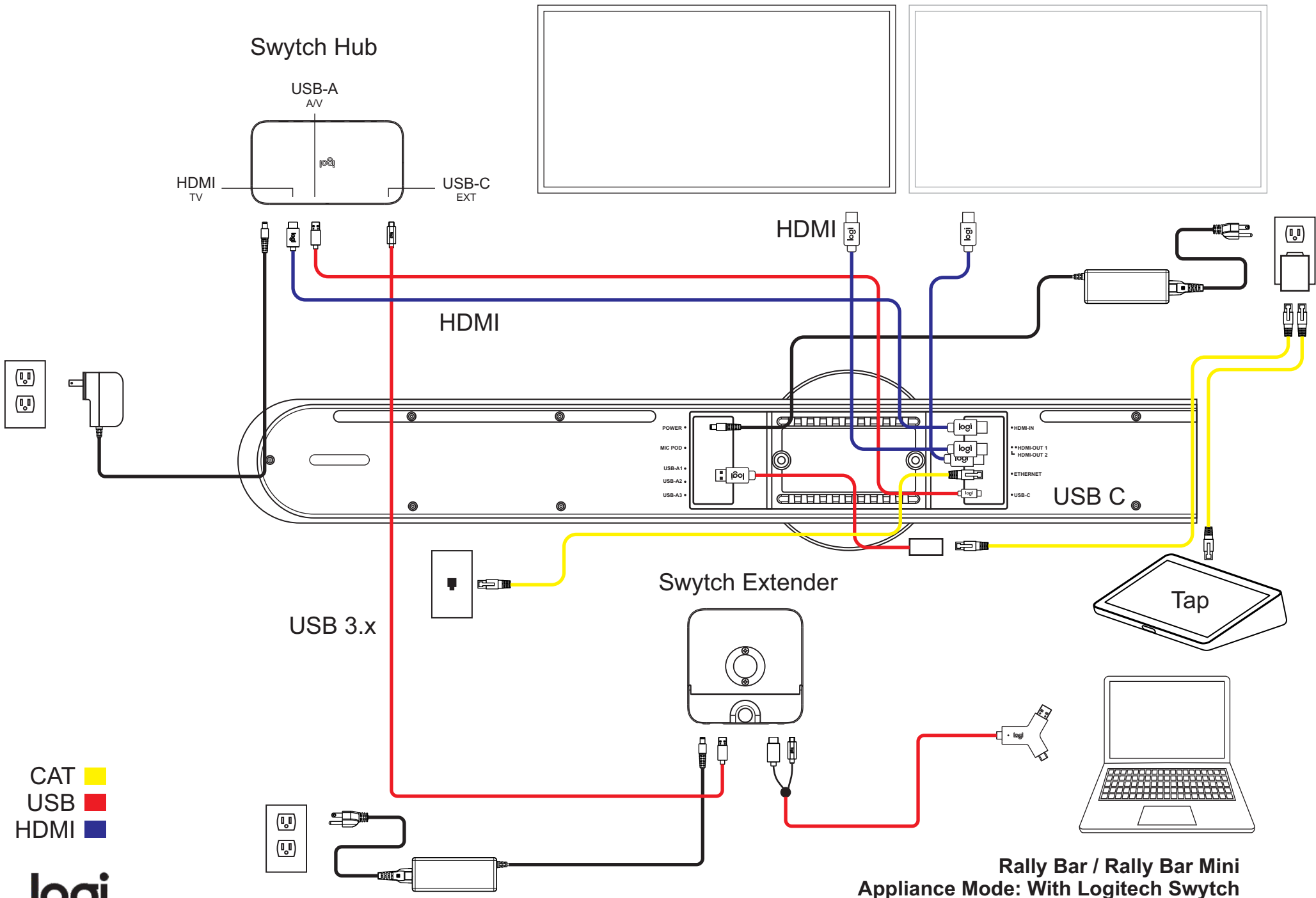
**Swytch/MeetUp
 BYOD Mode: With Logitech Swytch**



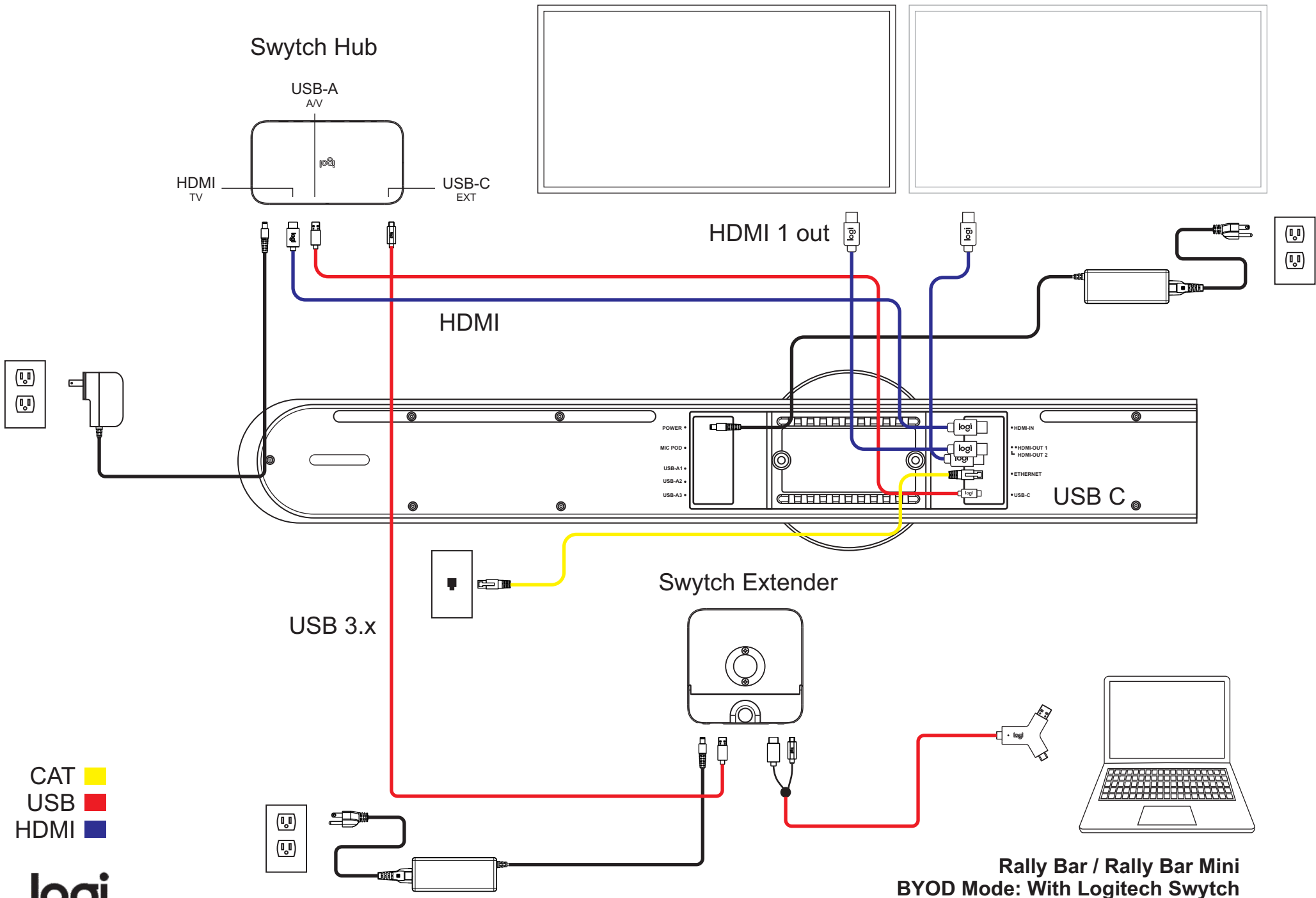
CAT ■
 USB ■
 HDMI ■



RoomMate with MeetUp with Swytch Appliance Mode

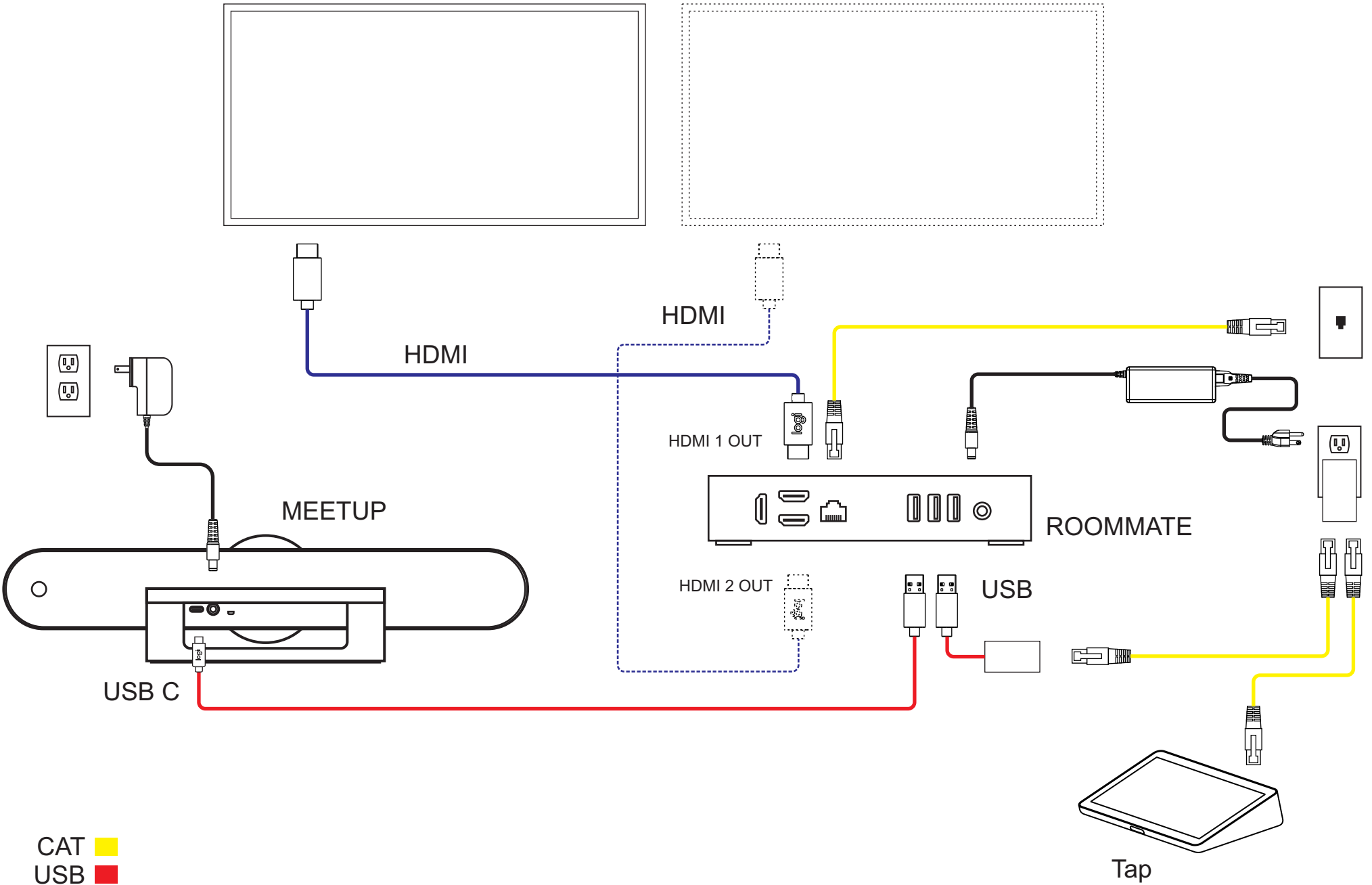


Rally Bar / Rally Bar Mini
Appliance Mode: With Logitech Swytch



ROOMMATE

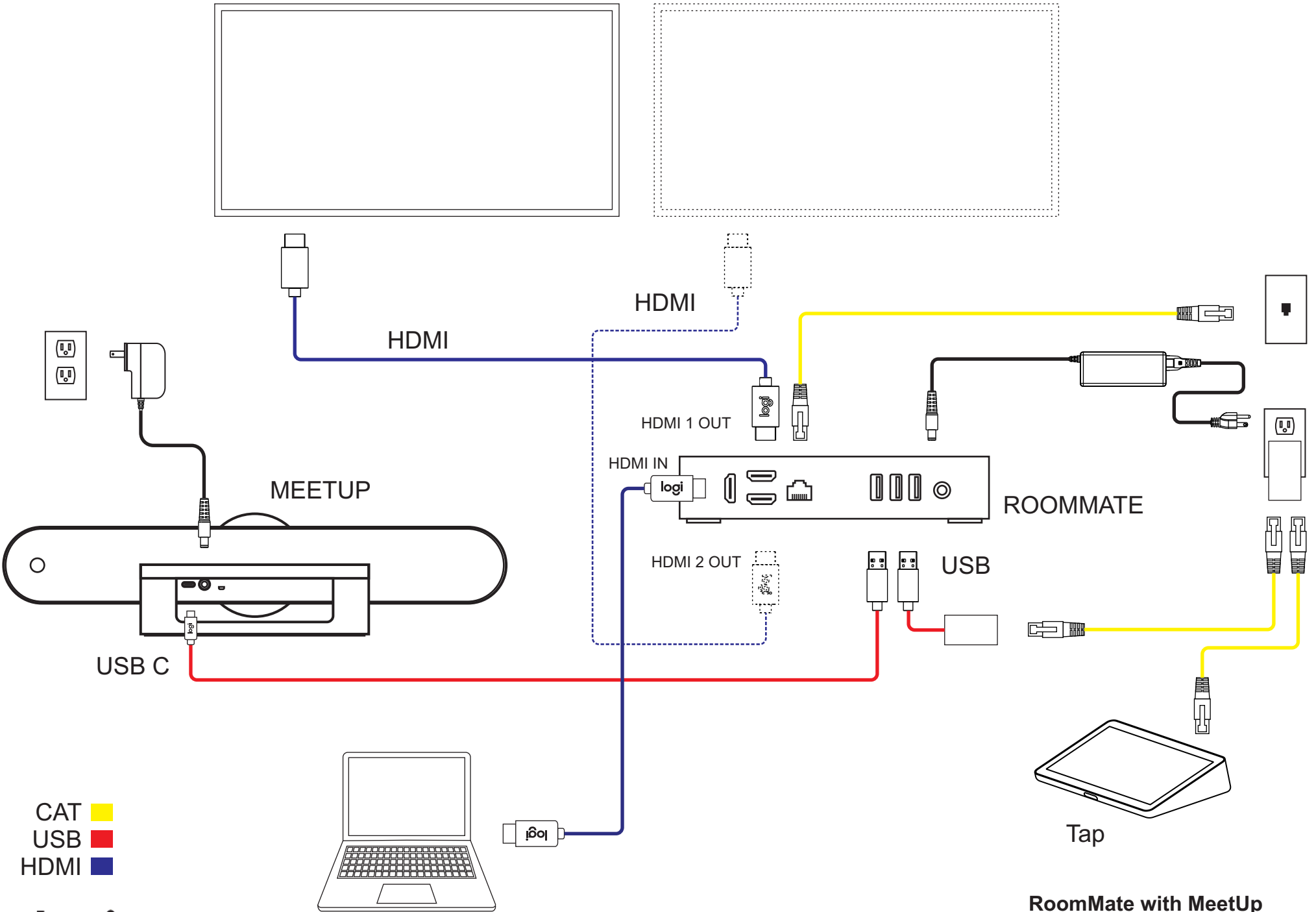
Table of Contents



- CAT ■
- USB ■
- HDMI ■



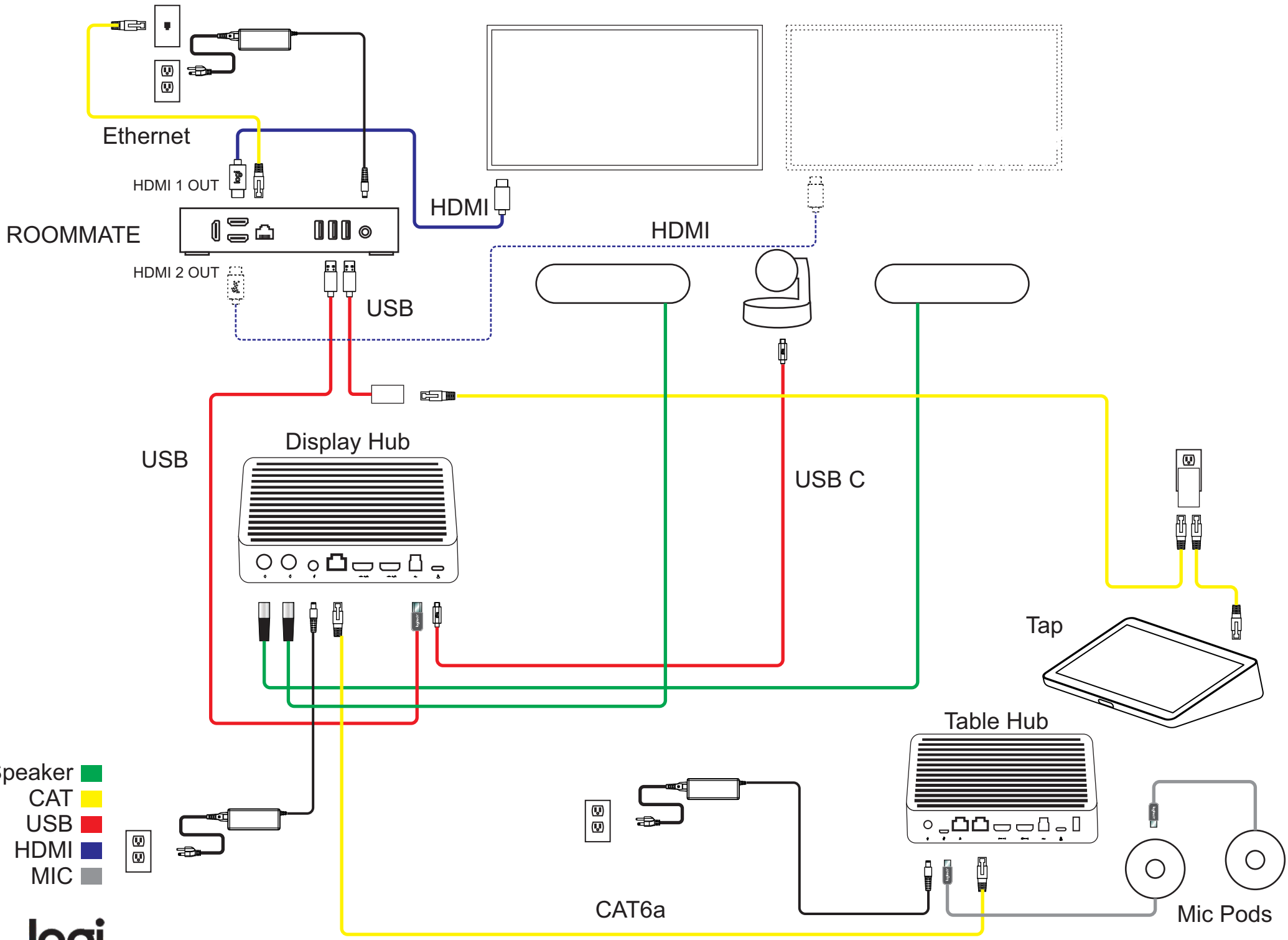
**RoomMate with MeetUp
Appliance Mode**



CAT ■
 USB ■
 HDMI ■

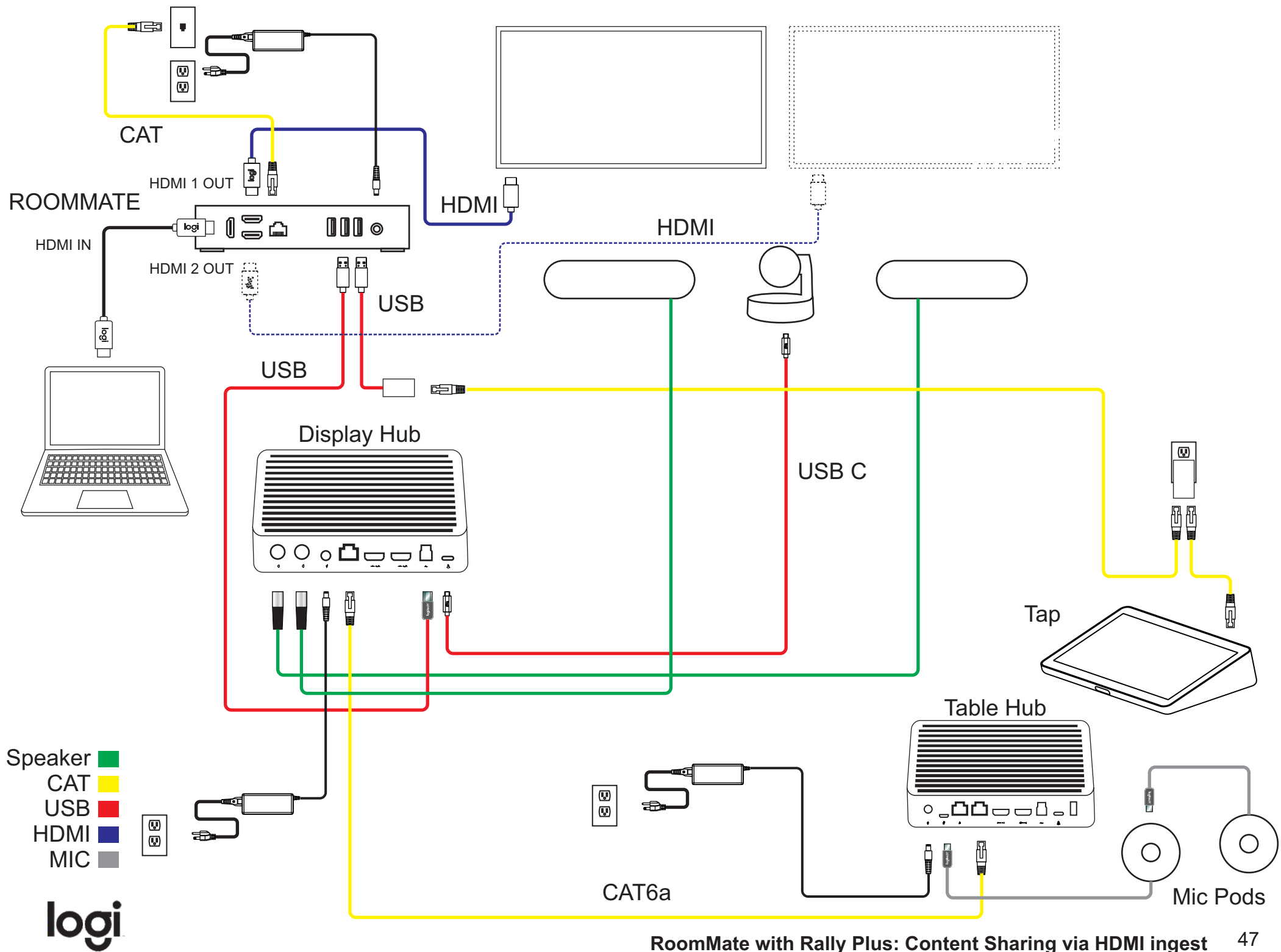


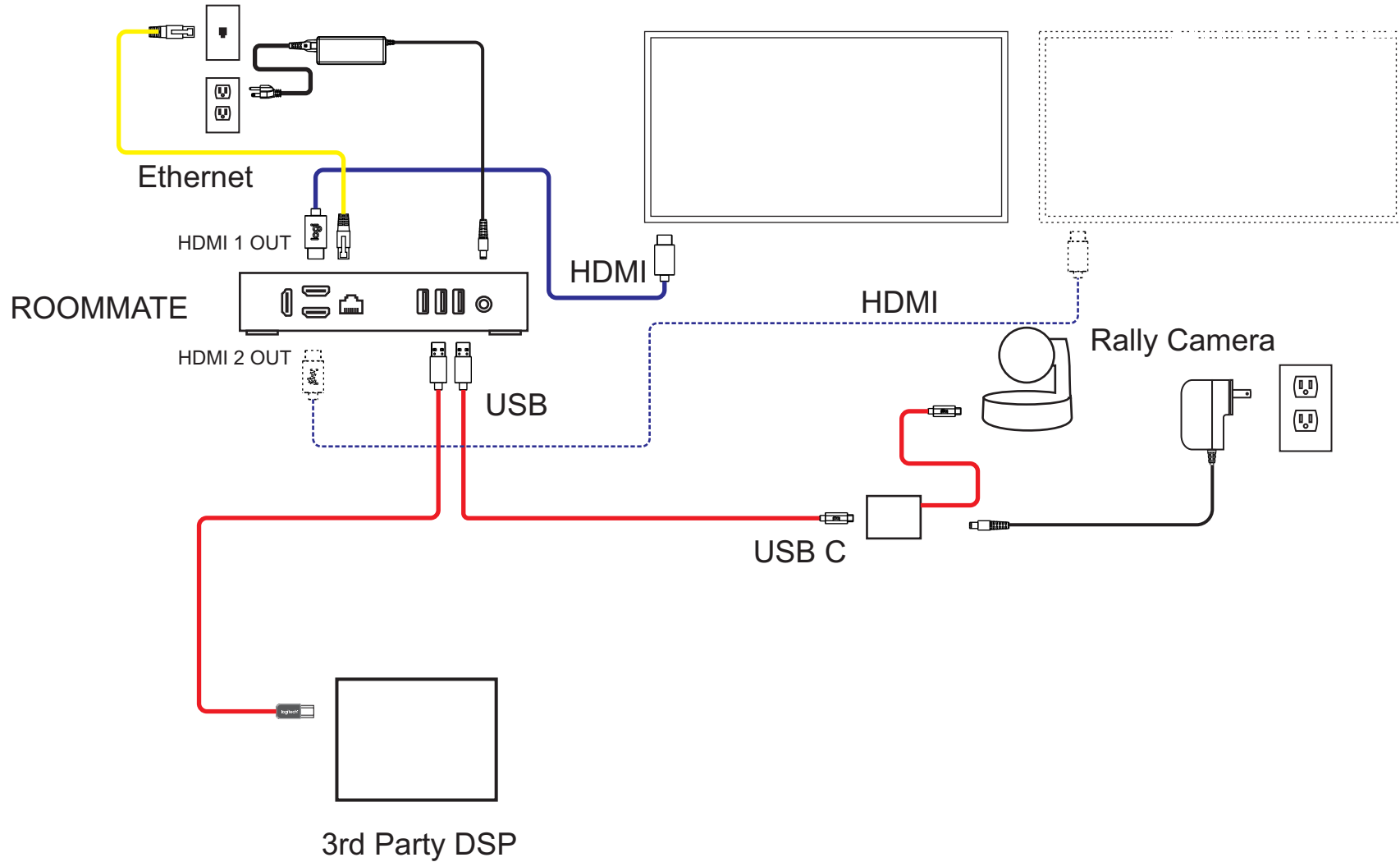
**RoomMate with MeetUp
 Appliance Mode
 Content Sharing via HDMI ingest**



- Speaker ■
- CAT ■
- USB ■
- HDMI ■
- MIC ■

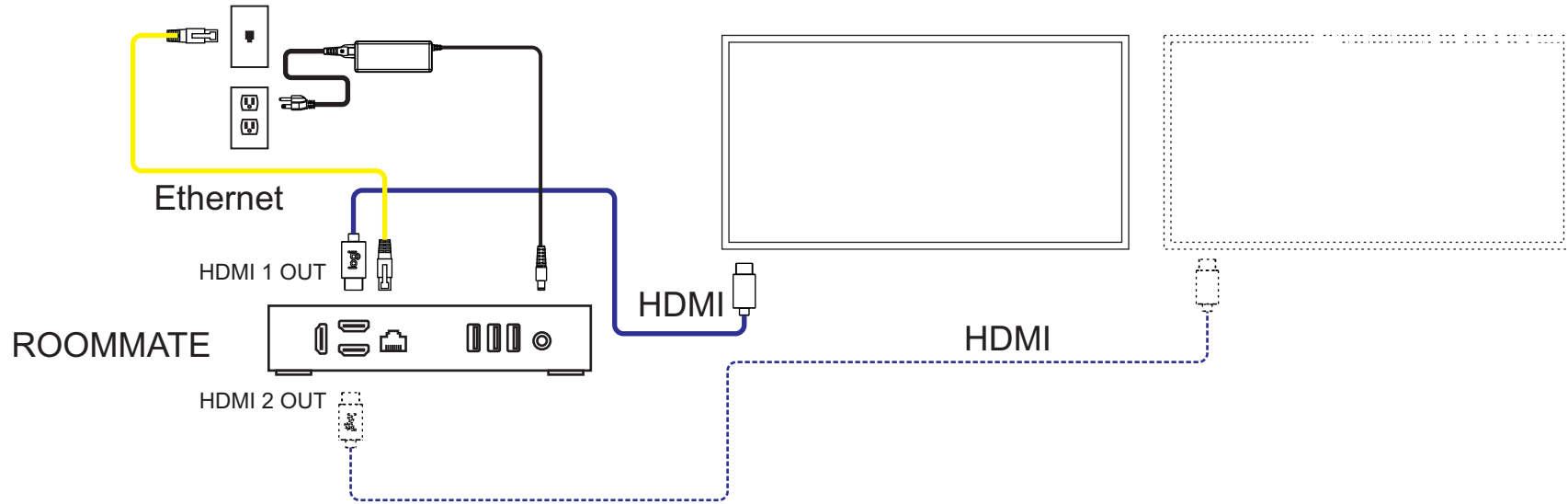






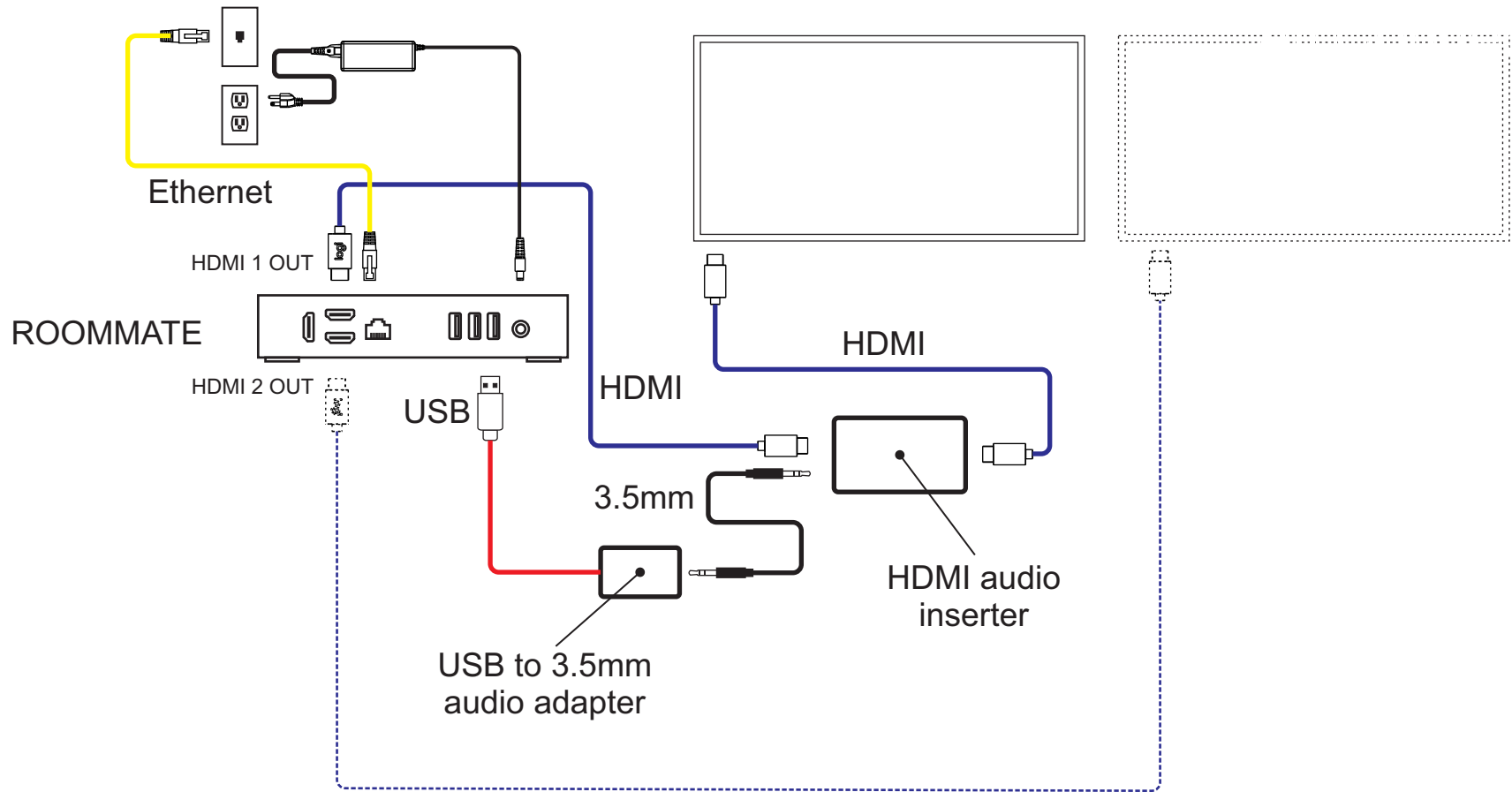
CAT ■
 USB ■
 HDMI ■





- CAT ■
- USB ■
- HDMI ■



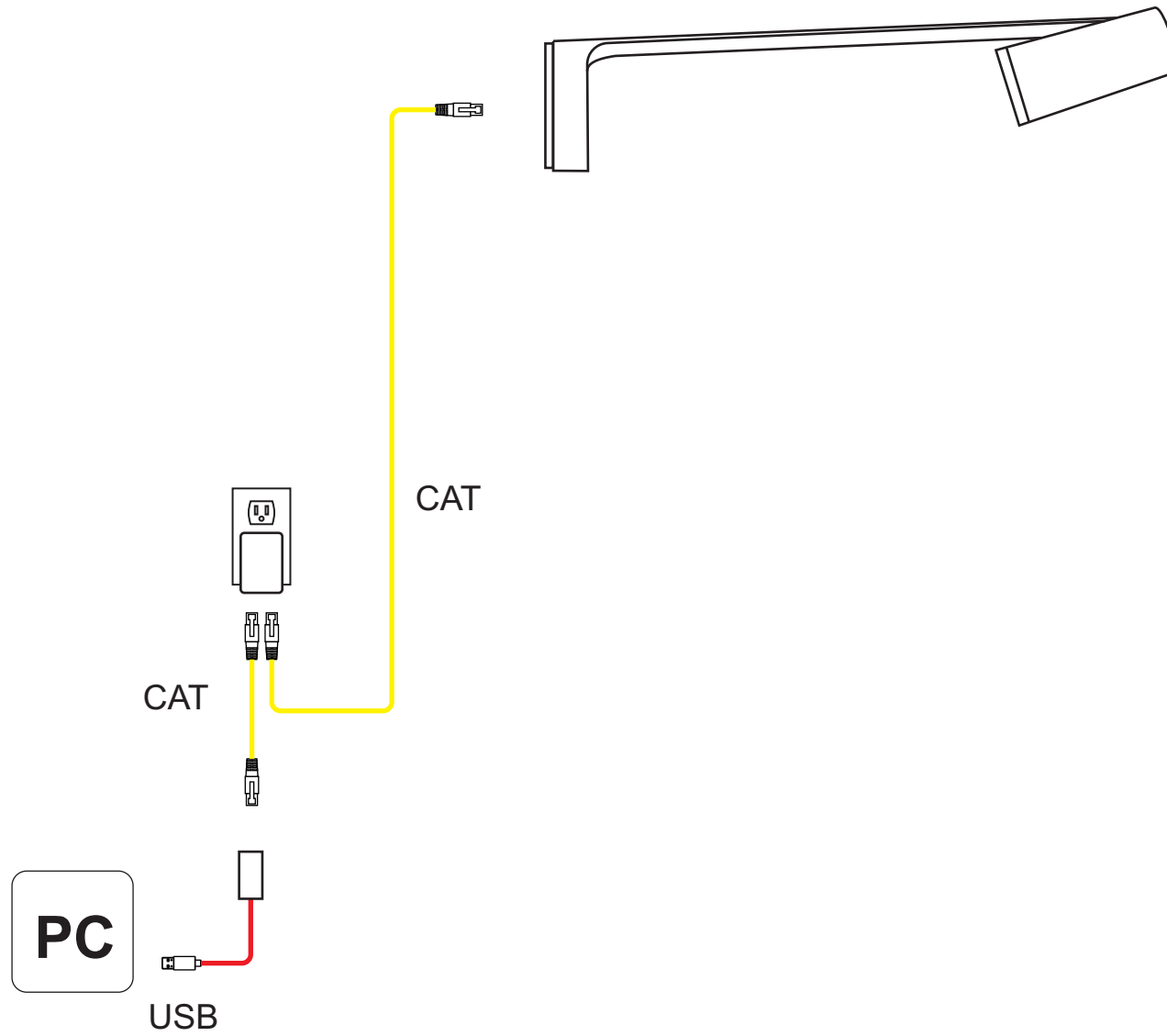


CAT ■
 USB ■
 HDMI ■

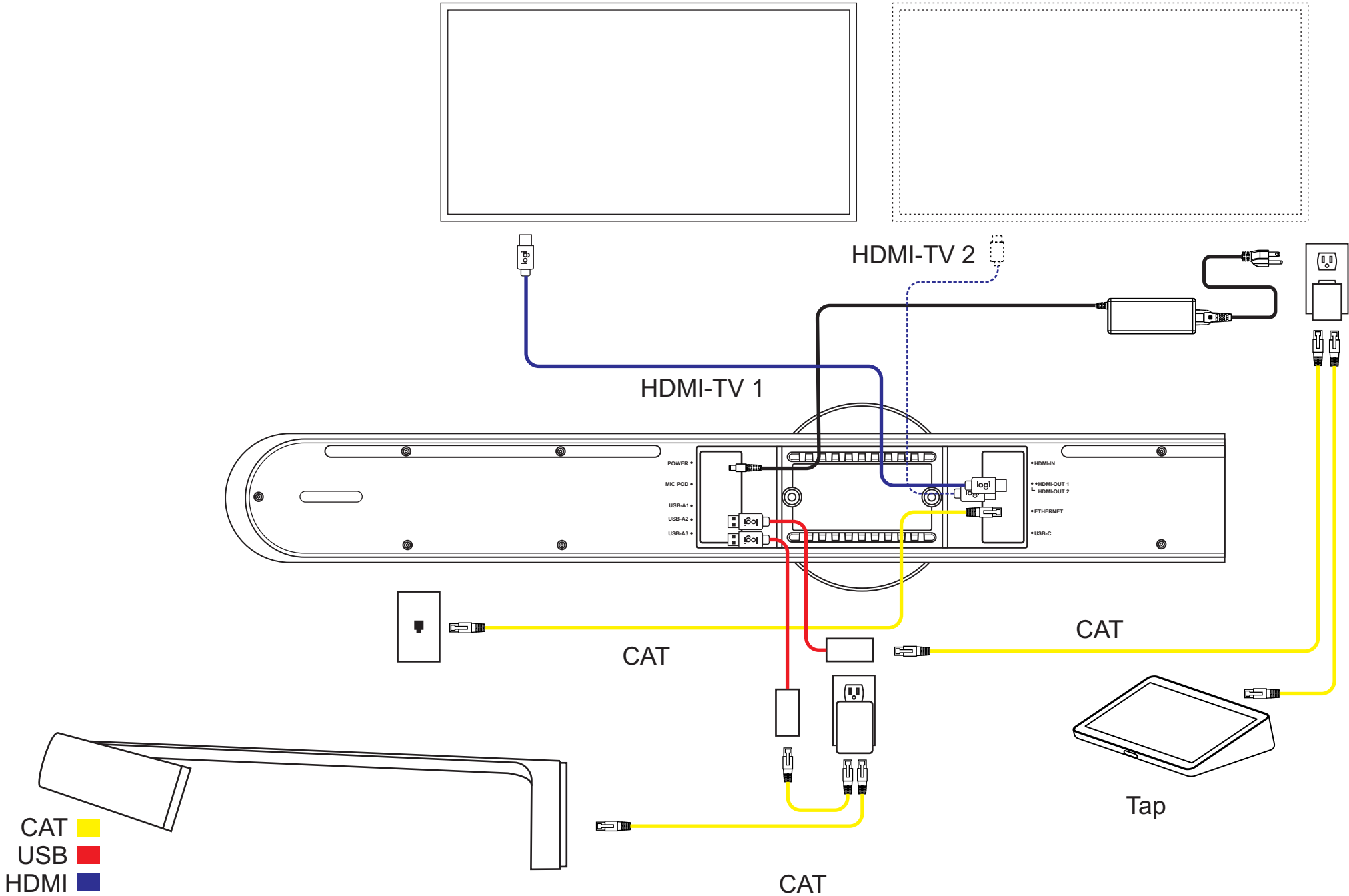


SCRIBE

[Table of Contents](#)



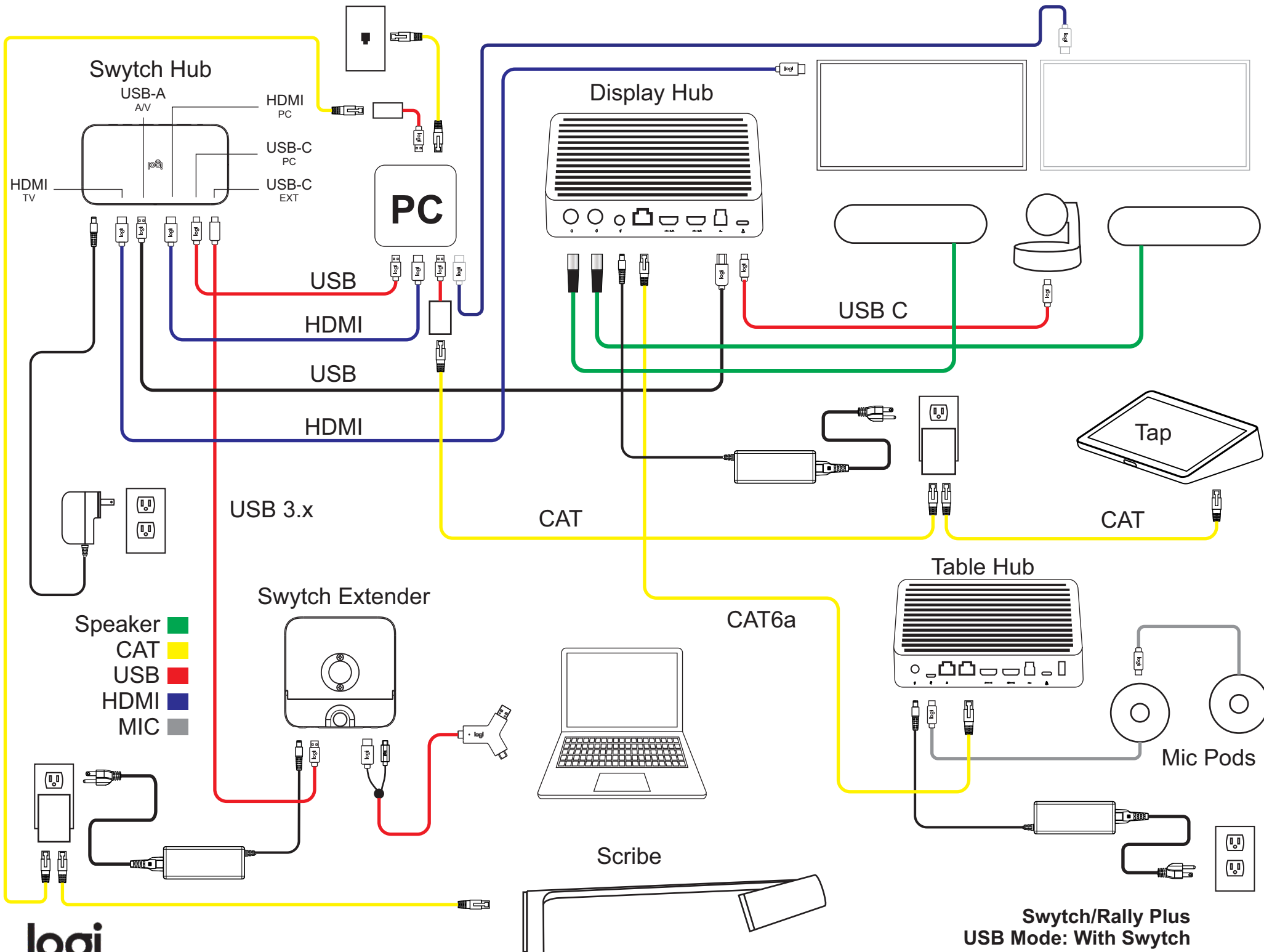
CAT 
USB 



- CAT ■
- USB ■
- HDMI ■



Scribe: Appliance mode connection (VC application dependent)



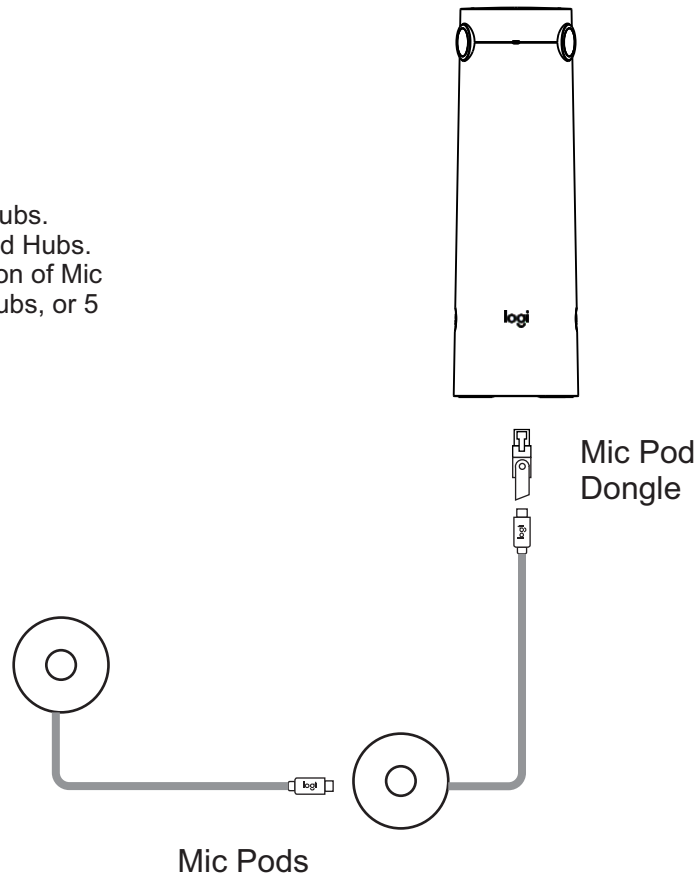
SIGHT

[Table of Contents](#)

Sight requires POE+ power (802.3at Type 2). This can be supplied by connecting to a POE+ network switch or an **active** POE+ power injector.

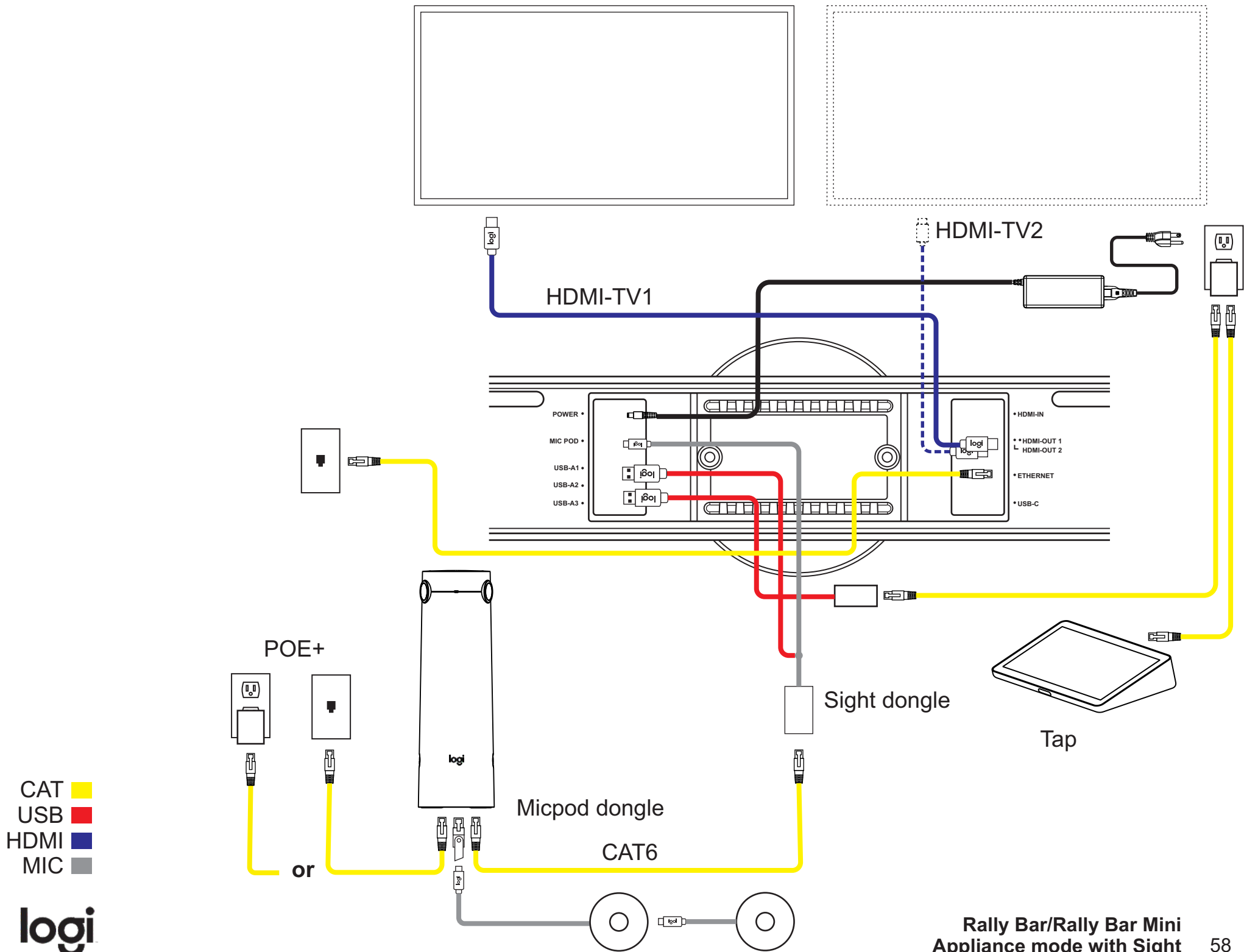
When using Sight

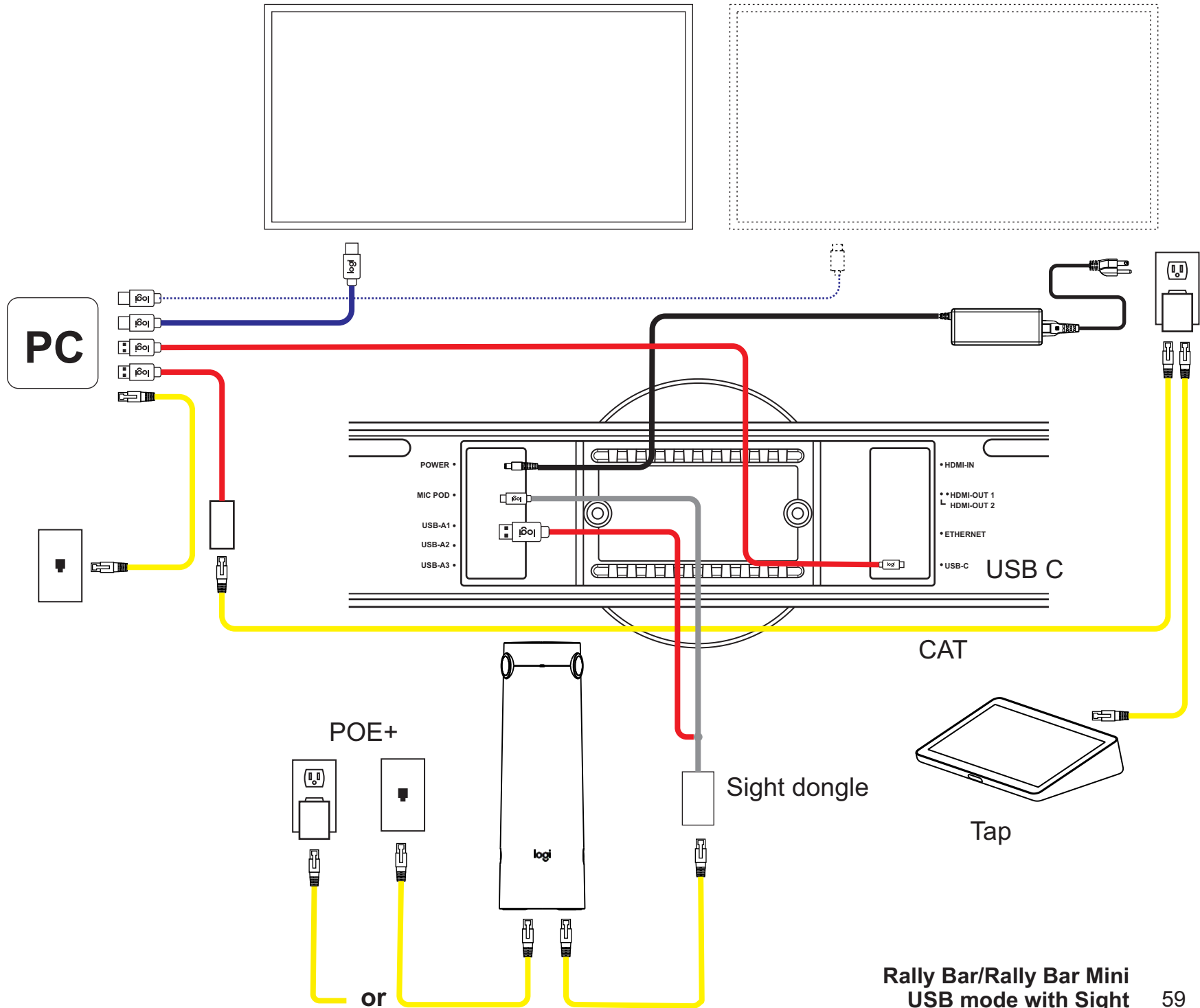
- Rally Bar supports up to 3 Mic Pods and 2 Mic Pod Hubs.
- Rally Bar Mini supports up to 2 Mic Pods and 2 Mic Pod Hubs.
- Rally and Rally Plus support up to 6 of any combination of Mic Pods or Mic Pod Hubs (ie. 4 Mic Pods + 2 Mic Pod Hubs, or 5 Mic Pods and 1 Mic Pod Hub).



MIC ■



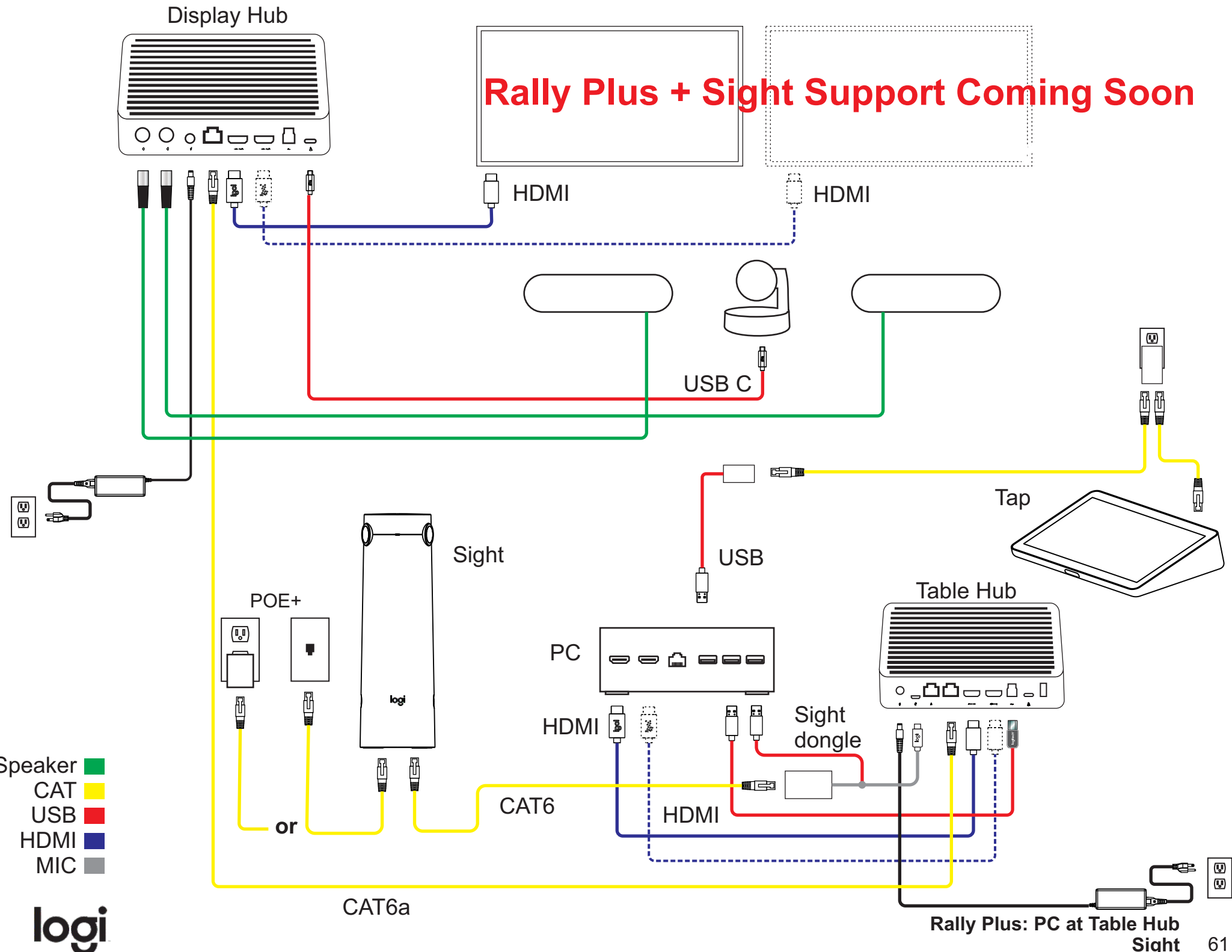




- CAT ■
- USB ■
- HDMI ■
- MIC ■



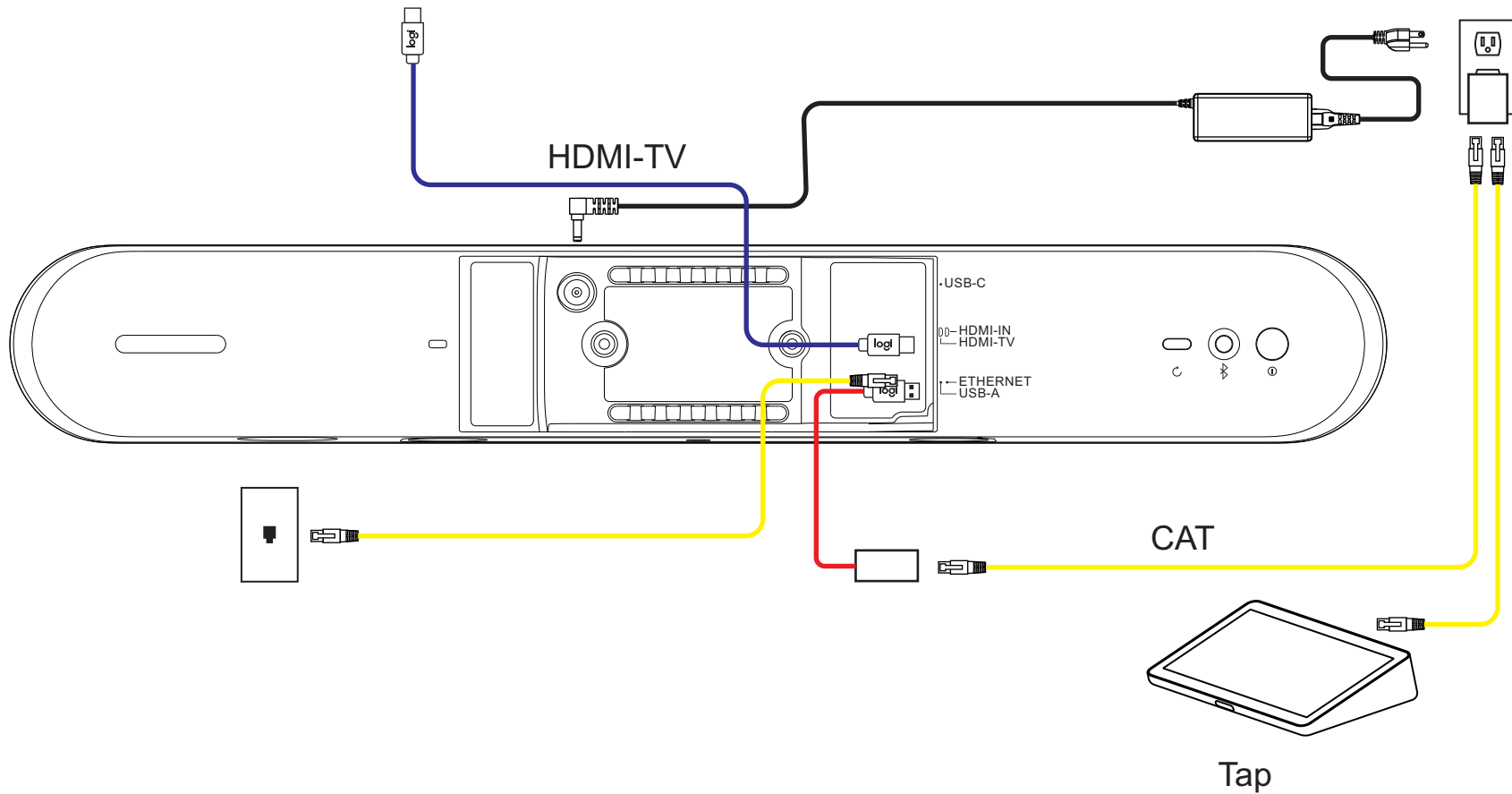
Rally Plus + Sight Support Coming Soon



RALLY BAR HUDDLE IN APPLIANCE MODE

[Table of Contents](#)

TAP SUPPORT COMING SOON TAP IP SUPPORTED NOW

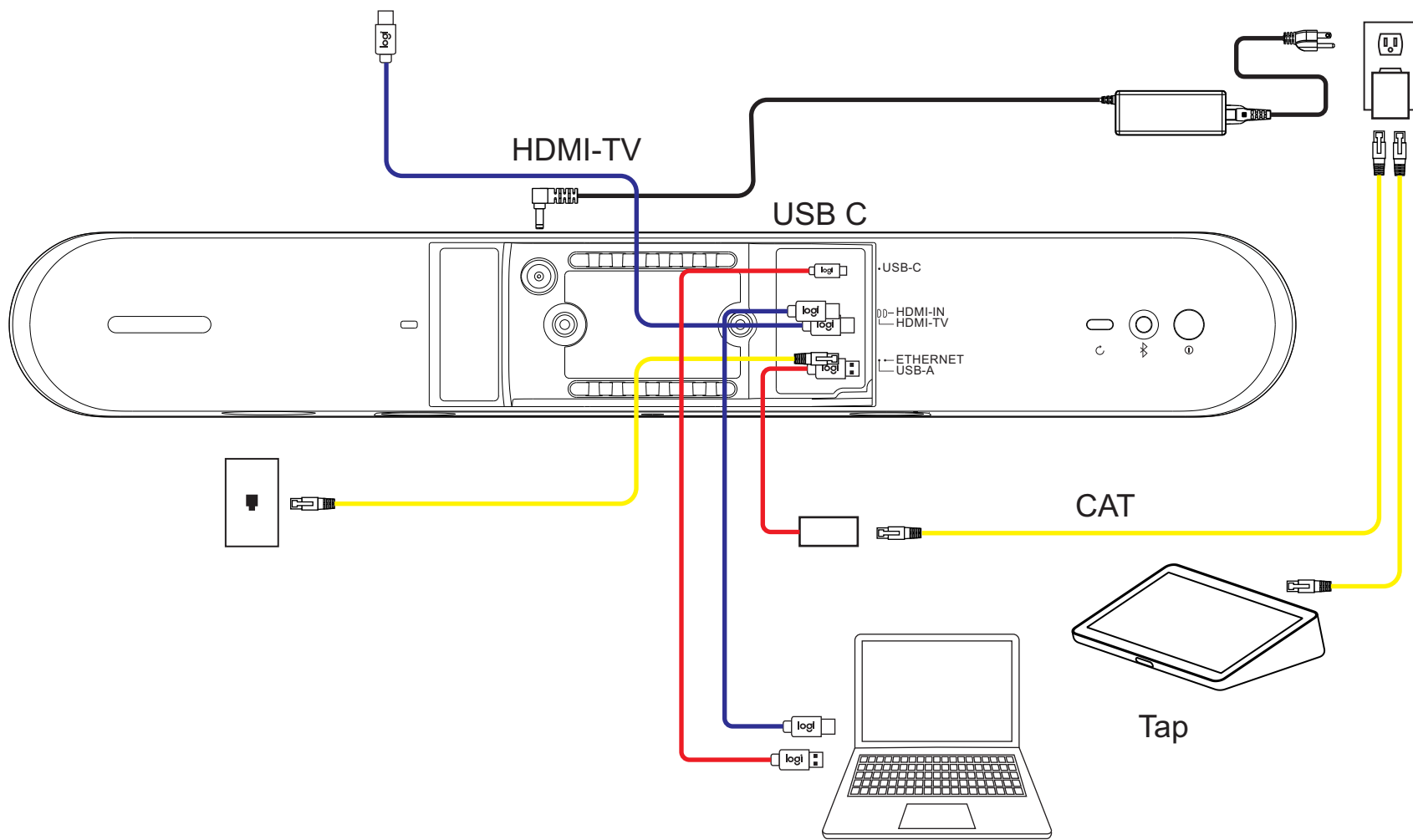


- CAT ■
- USB ■
- HDMI ■



Rally Bar Huddle
Appliance Mode: Default configuration

TAP SUPPORT COMING SOON TAP IP SUPPORTED NOW



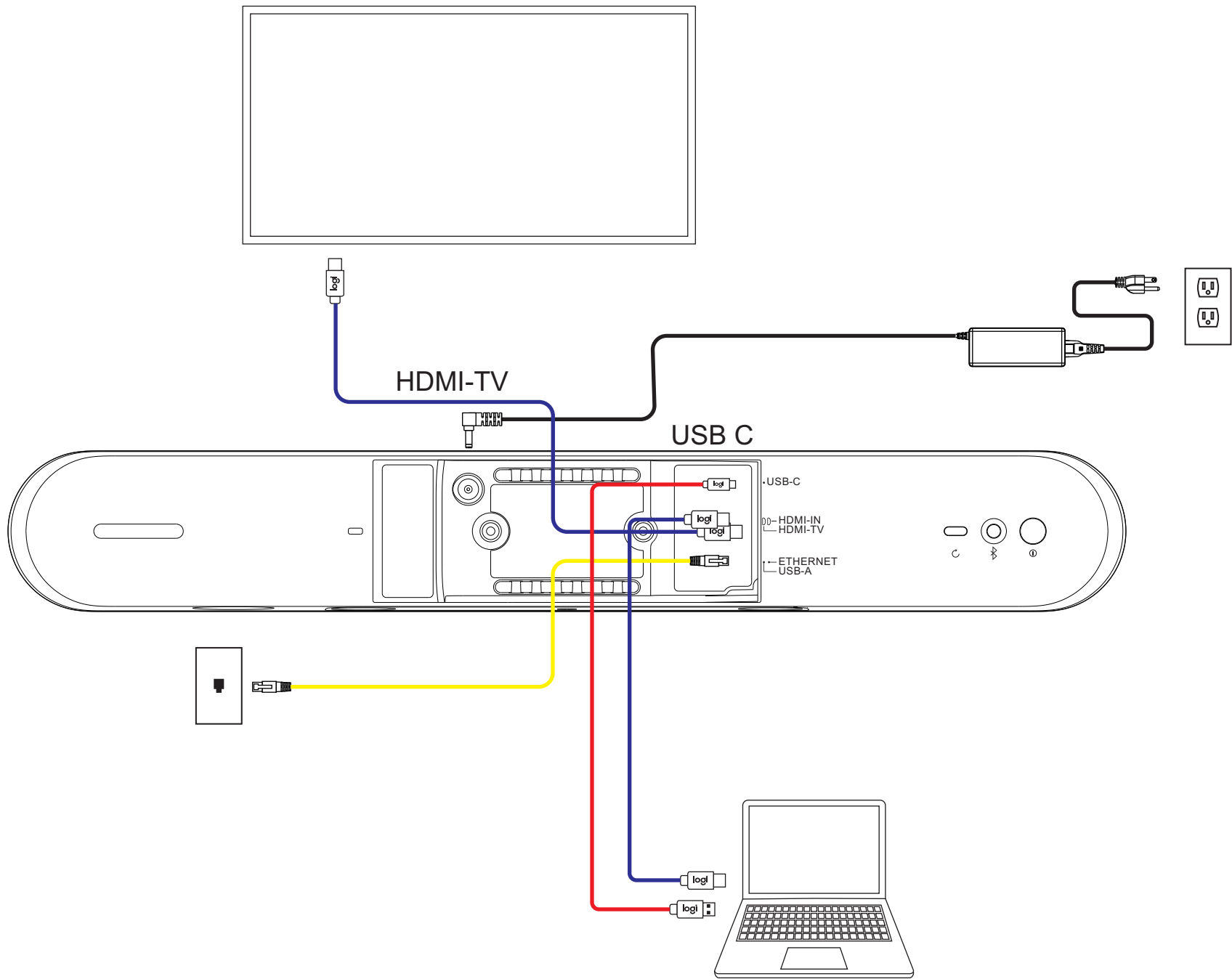
- CAT ■
- USB ■
- HDMI ■



Rally Bar Huddle
Appliance Mode: Temporary switch to USB mode

RALLY BAR HUDDLE IN BYOD MODE

[Table of Contents](#)



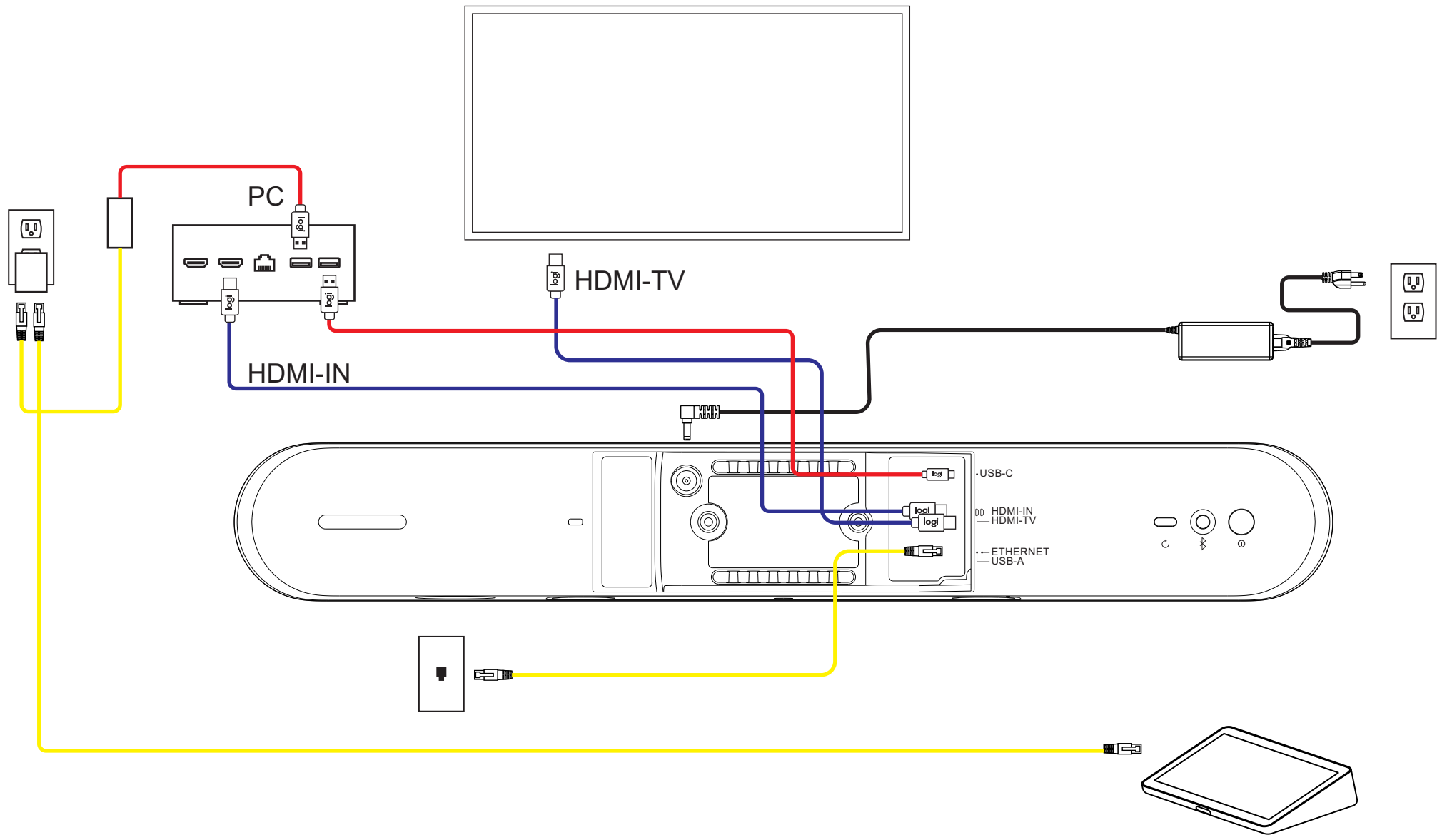
CAT ■
 USB ■
 HDMI ■



Rally Bar Huddle
BYOD Mode: Default configuration

RALLY BAR HUDDLE IN USB MODE

[Table of Contents](#)



CAT ■
 USB ■
 HDMI ■



Tap

Rally Bar Huddle
USB Mode: Default configuration

Please see prosupport.logi.com for more information