

Lenovo 100e/300e/500e Chromebook Gen 3 Hardware Maintenance Manual



Lenovo

Note: Before using this information and the product it supports, be sure to read the general information under Appendix B “Notices” on page 65.

Second Edition (April 2022)

© Copyright Lenovo 2022.

LIMITED AND RESTRICTED RIGHTS NOTICE: If data or software is delivered pursuant a General Services Administration “GSA” contract, use, reproduction, or disclosure is subject to restrictions set forth in Contract No. GS-35F-05925.

Contents

About this manualiii	1020 Base cover assembly	39
Chapter 1. Safety information.	1	1030 Built-in battery	40
General safety	1	1040 Wireless LAN card (for selected models)	41
Electrical safety	1	1050 Wireless WAN card (for selected models)	42
Safety inspection guide	3	1060 Speaker assembly	43
Handling devices that are sensitive to electrostatic discharge	3	1070 Daughter board bracket	45
Grounding requirements	4	1080 Daughter board	45
Safety notices (multilingual translations)	4	1090 USB-C bracket	46
Chapter 2. General checkout	21	1100 System board	47
What to do first	21	1110 Heatsink	48
Power system checkout	22	1120 Nano-SIM card cable and board (for selected models)	49
Checking the ac power adapter	22	1130 World-Facing camera (for selected models of Lenovo 300e/500e Chromebook Gen 3)	50
Checking the built-in battery and operational charging	22	1140 Electronic pen board and cable	51
Chapter 3. Create and use a USB repair shim	25	1150 Keyboard assembly	51
What is a USB repair shim?	25	Disassemble the LCD module (for Lenovo 100e Chromebook Gen 3)	53
Create a USB repair shim	25	2010 LCD bezel	53
Use the USB repair shim	26	2020 LCD panel	53
Chapter 4. Identifying FRUs (CRUs)	27	2030 Camera board and webcam privacy shutter	54
Locating FRUs and CRUs	27	2040 LCD hinges	55
Major FRUs and CRUs	28	2050 Camera and LCD cable	55
LCD FRUs	32	Disassemble the LCD module (for Lenovo 300e/500e Chromebook Gen 3)	56
Miscellaneous parts	35	2010 Strip cover and rubber caps	56
Looking up FRU information	35	2020 LCD panel	57
Chapter 5. Removing or replacing a FRU.	37	2030 Camera board	58
General guidelines	37	2040 LCD cable	58
Disabling the built-in battery	38	2050 Sensor board	59
Removing the nano-SIM card and the nano-SIM-card tray	38	2060 LCD hinges	60
1010 Electronic pen / Pen dummy (for selected models of Lenovo 300e/500e Chromebook Gen 3)	38	Appendix A. Controls, connectors, and indicators	63
		Appendix B. Notices.	65

About this manual

This manual contains service and reference information for the following Lenovo products:

Lenovo 100e Chromebook Gen 3	Machine types (MT) 82UY, 82V0, 82J7, and 82J8
Lenovo 300e Chromebook Gen 3	Machine types (MT) 82J9 and 82JA
Lenovo 500e Chromebook Gen 3	Machine types (MT) 82JB and 82JC

Use this manual along with the advanced diagnostic tests to troubleshoot problems.

Important:

- This manual is intended only for trained service technicians who are familiar with Lenovo products. Use this manual along with the advanced diagnostic tests to troubleshoot problems effectively.
- Depending on the model, some hardware configuration and software programs might not be available on the Chromebook. Some statements in this manual might not be applicable to the Chromebook.
- Before servicing a Lenovo product, be sure to read all the information under Chapter 1 “Safety information” on page 1.

Chapter 1. Safety information

This chapter presents the following safety information that you need to be familiar with before you service a Chromebook.

- “General safety” on page 1
- “Electrical safety” on page 1
- “Safety inspection guide” on page 3
- “Handling devices that are sensitive to electrostatic discharge” on page 3
- “Grounding requirements” on page 4
- “Safety notices (multilingual translations)” on page 4

General safety

Follow these rules to ensure general safety:

- Observe good housekeeping in the area of the machines during and after maintenance.
- When lifting any heavy object:
 1. Ensure that you can stand safely without slipping.
 2. Distribute the weight of the object equally between your feet.
 3. Use a slow lifting force. Never move suddenly or twist when you attempt to lift.
 4. Lift by standing or by pushing up with your leg muscles; this action removes the strain from the muscles in your back. Do not attempt to lift any object that weighs more than 16 kg (35 lb) or that you think is too heavy for you.
- Do not perform any action that causes hazards to the customer, or that makes the equipment unsafe.
- Before you start the machine, ensure that other service technicians and the customer’s personnel are not in a hazardous position.
- Place removed covers and other parts in a safe place, away from all personnel, while you are servicing the machine.
- Keep your toolbox away from walk areas so that other people will not trip over it.
- Do not wear loose clothing that can be trapped in the moving parts of a machine. Ensure that your sleeves are fastened or rolled up above your elbows. If your hair is long, fasten it.
- Insert the ends of your necktie or scarf inside clothing or fasten it with a nonconductive clip, about 8 centimeters (3 inches) from the end.
- Do not wear jewelry, chains, metal-frame eyeglasses, or metal fasteners for your clothing, because metal objects are good electrical conductors.
- Wear safety glasses when you are hammering, drilling, soldering, cutting wire, attaching springs, using solvents, or working in any other conditions that might be hazardous to your eyes.
- After service, reinstall all safety shields, guards, labels, and ground wires. Replace any safety device that is worn or defective.
- Reinstall all covers correctly before returning the machine to the customer.
- Fan louvers on the machine help to prevent overheating of internal components. Do not obstruct fan louvers or cover them with labels or stickers.

Electrical safety

Observe the following rules when working on electrical equipment.

Important:

- Use only approved tools and test equipment. Some hand tools have handles covered with a soft material that does not insulate you when working with live electrical currents.
- Many customers have, near their equipment, rubber floor mats that contain small conductive fibers to decrease electrostatic discharges (ESD). Do not use this type of mat to protect yourself from electrical shock.
- Find the room emergency power-off (EPO) switch, disconnecting switch, or electrical outlet. If an electrical accident occurs, you can then operate the switch or unplug the power cord quickly.
- Do not work alone under hazardous conditions or near equipment that has hazardous voltages.
- Disconnect all power before:
 - Performing a mechanical inspection
 - Working near power supplies
 - Removing or installing main units
- Before you start to work on the machine, unplug the power cord. If you cannot unplug it, ask the customer to power off the wall box that supplies power to the machine, and to lock the wall box in the off position.
- If you need to work on a machine that has exposed electrical circuits, observe the following precautions:
 - Ensure that another person, familiar with the power-off controls, is near you. That person must be there to switch off the power, if necessary.
 - Use only one hand when working with powered-on electrical equipment; keep the other hand in your pocket or behind your back.

CAUTION:

An electrical shock can occur only when there is a complete circuit. By observing the above rule, you may prevent a current from passing through your body.

- When using testers, set the controls correctly and use the approved probe leads and accessories for that tester.
- Stand on suitable rubber mats (obtained locally, if necessary) to insulate you from grounds such as metal floor strips and machine frames.

Observe the special safety precautions when you work with very high voltages. Instructions for these precautions are in the safety sections of maintenance information. Use extreme care when measuring high voltages.

- Regularly inspect and maintain your electrical hand tools for safe operational condition.
- Do not use worn or broken tools and testers.
- Never assume that power has been disconnected from a circuit. First, check that it has been powered off.
- Always look carefully for possible hazards in your work area. Examples of these hazards are moist floors, nongrounded power extension cables, power surges, and missing safety grounds.
- Do not touch live electrical circuits with the reflective surface of a plastic dental mirror. The surface is conductive; such touching can cause personal injury and machine damage.
- Do not service the following parts with the power on:
 - Power supply units
 - Pumps
 - Blowers and fans
 - Motor generators
 - Units similar to those listed above

This practice ensures correct grounding of the units.

- If an electrical accident occurs:
 - Use caution; do not become a victim yourself.
 - Switch off power.
 - Send another person to get medical aid.

Safety inspection guide

The purpose of this inspection guide is to assist you in identifying potentially unsafe conditions. As each machine was designed and built, required safety items were installed to protect users and service technicians from injury. This guide addresses only those items. You should use good judgment to identify potential safety hazards due to attachment of non-Lenovo features or options not covered by this inspection guide.

If any unsafe conditions are present, you must determine how serious the apparent hazard could be and whether you can continue without first correcting the problem.

Consider these conditions and the safety hazards they present:

- Electrical hazards, especially primary power (primary voltage on the frame can cause serious or fatal electrical shock)
- Explosive hazards, such as a damaged CRT face or a bulging capacitor
- Mechanical hazards, such as loose or missing hardware

To determine whether there are any potentially unsafe conditions, use the following checklist at the beginning of every service task. Begin the checks with the power off, and the power cord disconnected.

Checklist:

1. Check exterior covers for damage (loose, broken, or sharp edges).
2. Turn off the computer. Disconnect the power cord.
3. Check the power cord for:
 - a. A third-wire ground connector in good condition. Use a meter to measure third-wire ground continuity for 0.1 ohm or less between the external ground pin and the frame ground.
 - b. The power cord should be the authorized type specified for your computer. Go to: <https://support.lenovo.com/partslookup>.
 - c. Insulation must not be frayed or worn.
4. Check for cracked or bulging batteries.
5. Remove the cover.
6. Check for any obvious non-Lenovo alterations. Use good judgment as to the safety of any non-Lenovo alterations.
7. Check inside the unit for any obvious unsafe conditions, such as metal filings, contamination, water or other liquids, or signs of fire or smoke damage.
8. Check for worn, frayed, or pinched cables.
9. Check that the power-supply cover fasteners (screws or rivets) have not been removed or tampered with.

Handling devices that are sensitive to electrostatic discharge

Any computer part containing transistors or integrated circuits (ICs) should be considered sensitive to electrostatic discharge (ESD). ESD damage can occur when there is a difference in charge between objects. Protect against ESD damage by equalizing the charge so that the machine, the part, the work mat, and the person handling the part are all at the same charge.

Notes:

1. Use product-specific ESD procedures when they exceed the requirements noted here.

2. Ensure that the ESD protective devices you use have been certified (ISO 9000) as fully effective.

When handling ESD-sensitive parts:

- Keep the parts in protective packages until they are inserted into the product.
- Avoid contact with other people.
- Wear a grounded wrist strap against your skin to eliminate static on your body.
- Prevent the part from touching your clothing. Most clothing is insulative and retains a charge even when you are wearing a wrist strap.
- Use a grounded work mat to provide a static-free work surface. The mat is especially useful when handling ESD-sensitive devices.
- Select a grounding system, such as those listed below, to provide protection that meets the specific service requirement.

Note: The use of a grounding system to guard against ESD damage is desirable but not necessary.

- Attach the ESD ground clip to any frame ground, ground braid, or green-wire ground.
- When working on a double-insulated or battery-operated system, use an ESD common ground or reference point. You can use coax or connector-outside shells on these systems.
- Use the round ground prong of the ac plug on ac-operated computers.

Grounding requirements

Electrical grounding of the computer is required for operator safety and correct system function. Proper grounding of the electrical outlet can be verified by a certified electrician.

Safety notices (multilingual translations)

The safety notices in this section are provided in the following languages:

- English
- Arabic
- Brazilian Portuguese
- French
- German
- Hebrew
- Japanese
- Korean
- Spanish
- Traditional Chinese



DANGER

Before the computer is powered on after FRU replacement, make sure that all screws, springs, and other small parts are in place and are not left loose inside the computer. Verify this by shaking the computer and listening for rattling sounds. Metallic parts or metal flakes can cause electrical short circuits.



DANGER

Some standby batteries contain a small amount of nickel and cadmium. Do not disassemble a standby battery, recharge it, throw it into fire or water, or short-circuit it. Dispose of the battery as required by local ordinances or regulations. Use only the battery in the appropriate parts listing. Use of an incorrect battery can result in ignition or explosion of the battery.



DANGER

The battery pack contains small amounts of nickel. Do not disassemble it, throw it into fire or water, or short-circuit it. Dispose of the battery pack as required by local ordinances or regulations. Use only the battery in the appropriate parts listing when replacing the battery pack. Use of an incorrect battery can result in ignition or explosion of the battery.



DANGER

The lithium battery can cause a fire, an explosion, or a severe burn. Do not recharge it, remove its polarized connector, disassemble it, heat it above 100°C (212°F), incinerate it, or expose its cell contents to water. Dispose of the battery as required by local ordinances or regulations. Use only the battery in the appropriate parts listing. Use of an incorrect battery can result in ignition or explosion of the battery.



DANGER

If the LCD breaks and the fluid from inside the LCD gets into your eyes or on your hands, immediately wash the affected areas with water for at least 15 minutes. Seek medical care if any symptoms from the fluid are present after washing.



DANGER

To avoid shock, do not remove the plastic cover that protects the lower part of the inverter card.



DANGER

Though the main batteries have low voltage, a short-circuited or grounded battery can produce enough current to burn personnel or combustible materials.



DANGER

Unless hot swap is allowed for the FRU being replaced, do as follows before removing it: power off the computer, unplug all power cords from electrical outlets, remove the battery pack, and disconnect any interconnecting cables.



قبل اعادة تشغيل الحاسب بعد الانتهاء من استبدال FRU، تأكد من أنه قد تم اعادة كل من المسامير و السوست وكل الأجزاء الصغيرة الأخرى في أماكنهم ولم يتم فقدهم داخل الحاسب. ويمكن التحقق من ذلك عن طريق هز الحاسب والاستماع لأي صوت صاخب يصدر منه. قد تؤدي الأجزاء أو الرقائق المعدنية الى حدوث دائرة قصر.



تحتوي بعض البطاريات الاحتياطية على كمية صغيرة من مادتي النيكل والكاديوم. لا تقم بفك أو اعادة شحن البطارية الاحتياطية ولا تقم أيضا بالقائها في النار أو الماء ولا تتسبب في احدث دائرة قصر بها. قم بالتخلص من البطارية كما هو موضح في القوانين المحلية. استخدم نوع البطارية المحدد والذي يوصى باستخدامه. حيث أنه قد يؤدي استخدام نوع بطارية غير صحيح الى اشتعالها أو انفجارها.



تحتوي حزمة البطارية على كمية صغيرة من مادة النيكل. لا تقم بفكها أو القاءها في النار أو الماء ولا تتسبب في احدث دائرة قصر بها. تخلص من حزمة البطارية وفقا لما هو موضح في القوانين المحلية. قم، عند استبدال حزمة البطارية، باستخدام الأنواع المحددة فقط والتي يوصى باستخدامها. حيث أنه قد يؤدي استخدام نوع بطارية غير صحيح الى اشتعالها أو انفجارها.



قد تتسبب بطارية الليثيوم في حدوث حريق أو انفجار أو حدوث حروق شديدة. لا تقم بإعادة شحن البطارية أو إزالة موصل الاستقطاب الخاص بها ولا تحاول أيضا فكها أو تسخينها لأكثر من ١٠٠ درجة مئوية (٢١٢١ فهرنهايت) أو حرقها أو تعريض محتويات الخانة الخاصة بها للماء. قم بالتخلص من البطارية وفقا لما هو موضح في القوانين المحلية. استخدم نوع البطارية المحدد والذي يوصى باستخدامه. حيث أنه قد يؤدي استخدام نوع بطارية غير صحيح الى اشتعالها أو انفجارها.



خطر

إذا ما انكسرت شاشة LCD ولامس السائل الداخلي عينيك أو يديك، قم في الحال بغسلهما بالماء لمدة لا تقل عن ١٥ دقيقة. إذا ما وجدت أي أعراض بعد الغسل اطلب عندئذ المساعدة الطبية.



خطر

لتجنب التعرض لأي صدمات، لا تقم بإزالة الغطاء البلاستيكي الذي يحمي الجزء الأسفل من بطاقة العاكس.



خطر

على الرغم من أن البطاريات الرئيسية يكون لها جهد منخفض، إلا أنه قد تقوم البطاريات التي حدث قصور بها أو التي تم توصيلها أرضيا بإصدار تيار يكفي لحدوث حروق للأفراد أو تعرض المواد القابلة للاشتعال للحريق.



خطر

ما لم يتم السماح بالتبديل الفوري لأي FRU الجاري استبداله بدون ضرورة اغلاق النظام، قم بتنفيذ ما يلي قبل ازالته. قم بإيقاف تشغيل الحاسب ونزع كل أسلاك الطاقة من المخارج الكهربائية وقم أيضا بإزالة حزمة البطارية ثم قم بفصل أي كابلات متصلة.



PERIGO

Antes de ligar o computador após a substituição da FRU, certifique-se de que todos os parafusos, molas e outras peças pequenas estejam no lugar e não estejam soltos dentro do computador. Verifique isso sacudindo o computador e procurando ouvir sons de peças soltas. Peças metálicas ou lascas de metal podem causar curto-circuito.



PERIGO

Algumas baterias reserva contêm uma pequena quantidade de níquel e cádmio. Não desmonte uma bateria reserva, recarregue-a, jogue-a no fogo ou na água, ou deixe-a entrar em curto-circuito. Descarte a bateria conforme requerido pelas leis ou regulamentos locais. Use somente a bateria nas partes listadas apropriadas. O uso de uma bateria incorreta pode resultar em combustão ou explosão da bateria.



PERIGO

O pacote da bateria contém uma pequena quantidade de níquel. Não o desmonte, jogue-o no fogo ou na água, ou deixe-o entrar em curto-circuito. Descarte o pacote da bateria conforme requerido pelas leis ou regulamentos locais. Use somente a bateria nas partes listadas apropriadas ao substituir o pacote da bateria. O uso de uma bateria incorreta pode resultar em combustão ou explosão da bateria.



PERIGO

A bateria de lítio pode causar incêndio, explosão ou graves queimaduras. Não a recarregue, remova seu conector polarizado, desmonte-a, aqueça-a acima de 100°C (212°F), incinere-a, ou exponha o conteúdo de sua célula à água. Descarte a bateria conforme requerido pelas leis ou regulamentos locais. Use somente a bateria nas partes listadas apropriadas. O uso de uma bateria incorreta pode resultar em combustão ou explosão da bateria.



PERIGO

Se o LCD quebrar e o fluido de dentro dele entrar em contato com seus olhos ou com suas mãos, lave as áreas afetadas imediatamente com água durante pelo menos 15 minutos. Procure cuidados médicos se algum sintoma causado pelo fluido surgir após a lavagem.



PERIGO

Para evitar choque elétrico, não remova a capa plástica que protege a parte inferior da placa inversora.



PERIGO

Embora as principais baterias possuam baixa voltagem, uma bateria em curto-circuito ou aterrada pode produzir corrente o bastante para queimar materiais de pessoal ou inflamáveis.



PERIGO

A menos que uma hot swap seja permitida para a FRU que está sendo substituída, faça o seguinte antes de removê-la: desligue o computador, desconecte todos os cabos de energia das tomadas, remova o pacote de baterias e desconecte quaisquer cabos de interconexão.



DANGER

Avant de remettre l'ordinateur sous tension après remplacement d'une unité en clientèle, vérifiez que tous les ressorts, vis et autres pièces sont bien en place et bien fixées. Pour ce faire, secouez l'unité et assurez-vous qu'aucun bruit suspect ne se produit. Des pièces métalliques ou des copeaux de métal pourraient causer un court-circuit.



DANGER

Certaines batteries de secours contiennent du nickel et du cadmium. Ne les démontez pas, ne les rechargez pas, ne les exposez ni au feu ni à l'eau. Ne les mettez pas en court-circuit. Pour les mettre au rebut, conformez-vous à la réglementation en vigueur. Lorsque vous remplacez la pile de sauvegarde ou celle de l'horloge temps réel, veillez à n'utiliser que les modèles cités dans la liste de pièces détachées adéquate. Une batterie ou une pile inappropriée risque de prendre feu ou d'exploser.



DANGER

La batterie contient du nickel. Ne la démontez pas, ne l'exposez ni au feu ni à l'eau. Ne la mettez pas en court-circuit. Pour la mettre au rebut, conformez-vous à la réglementation en vigueur. Lorsque vous remplacez la batterie, veillez à n'utiliser que les modèles cités dans la liste de pièces détachées adéquate. En effet, une batterie inappropriée risque de prendre feu ou d'exploser.



DANGER

La pile de sauvegarde contient du lithium. Elle présente des risques d'incendie, d'explosion ou de brûlures graves. Ne la rechargez pas, ne retirez pas son connecteur polarisé et ne la démontez pas. Ne l'exposez pas à une température supérieure à 100°C, ne la faites pas brûler et n'en exposez pas le contenu à l'eau. Mettez la pile au rebut conformément à la réglementation en vigueur. Une pile inappropriée risque de prendre feu ou d'exploser.



DANGER

Si le panneau d'affichage à cristaux liquides se brise et que vous recevez dans les yeux ou sur les mains une partie du fluide, rincez-les abondamment pendant au moins quinze minutes. Consultez un médecin si des symptômes persistent après le lavage.



DANGER

Afin d'éviter tout risque de choc électrique, ne retirez pas le cache en plastique protégeant la partie inférieure de la carte d'alimentation.



DANGER

Bien que le voltage des batteries principales soit peu élevé, le court-circuit ou la mise à la masse d'une batterie peut produire suffisamment de courant pour brûler des matériaux combustibles ou causer des brûlures corporelles graves.



DANGER

Si le remplacement à chaud n'est pas autorisé pour l'unité remplaçable sur site que vous remplacez, procédez comme suit avant de retirer l'unité : mettez l'ordinateur hors tension, débranchez tous les cordons d'alimentation des prises de courant, retirez le bloc de batterie et déconnectez tous les câbles d'interconnexion.



VORSICHT

Bevor nach einem FRU-Austausch der Computer wieder angeschlossen wird, muß sichergestellt werden, daß keine Schrauben, Federn oder andere Kleinteile fehlen oder im Gehäuse vergessen wurden. Der Computer muß geschüttelt und auf Klappergeräusche geprüft werden. Metallteile oder-splitter können Kurzschlüsse erzeugen.



VORSICHT

Die Bereitschaftsbatterie, die sich unter dem Diskettenlaufwerk befindet, kann geringe Mengen Nickel und Cadmium enthalten. Sie darf nur durch die Verkaufsstelle oder den IBM Kundendienst ausgetauscht werden. Sie darf nicht zerlegt, wiederaufgeladen, kurzgeschlossen, oder Feuer oder Wasser ausgesetzt werden. Die Batterie kann schwere Verbrennungen oder Verätzungen verursachen. Bei der Entsorgung die örtlichen Bestimmungen für Sondermüll beachten. Beim Ersetzen der Bereitschafts- oder Systembatterie nur Batterien des Typs verwenden, der in der Ersatzteilliste aufgeführt ist. Der Einsatz falscher Batterien kann zu Entzündung oder Explosion führen.



VORSICHT

Akkus enthalten geringe Mengen von Nickel. Sie dürfen nicht zerlegt, wiederaufgeladen, kurzgeschlossen, oder Feuer oder Wasser ausgesetzt werden. Bei der Entsorgung die örtlichen Bestimmungen für Sondermüll beachten. Beim Ersetzen der Batterie nur Batterien des Typs verwenden, der in der Ersatzteilliste aufgeführt ist. Der Einsatz falscher Batterien kann zu Entzündung oder Explosion führen.



VORSICHT

Die Systembatterie ist eine Lithiumbatterie. Sie kann sich entzünden, explodieren oder schwere Verbrennungen hervorrufen. Batterien dieses Typs dürfen nicht aufgeladen, zerlegt, über 100°C erhitzt oder verbrannt werden. Auch darf ihr Inhalt nicht mit Wasser in Verbindung gebracht oder der zur richtigen Polung angebrachte Verbindungsstecker entfernt werden. Bei der Entsorgung die örtlichen Bestimmungen für Sondermüll beachten. Beim Ersetzen der Batterie nur Batterien des Typs verwenden, der in der Ersatzteilliste aufgeführt ist. Der Einsatz falscher Batterien kann zu Entzündung oder Explosion führen.



VORSICHT

Die Leuchtstoffröhre im LCD-Bildschirm enthält Quecksilber. Bei der Entsorgung die örtlichen Bestimmungen für Sondermüll beachten. Der LCD-Bildschirm besteht aus Glas und kann zerbrechen, wenn er unsachgemäß behandelt wird oder der Computer auf den Boden fällt. Wenn der Bildschirm beschädigt ist und die darin befindliche Flüssigkeit in Kontakt mit Haut und Augen gerät, sollten die betroffenen Stellen mindestens 15 Minuten mit Wasser abgespült und bei Beschwerden anschließend ein Arzt aufgesucht werden.



VORSICHT

Aus Sicherheitsgründen die Kunststoffabdeckung, die den unteren Teil der Spannungswandlerplatine umgibt, nicht entfernen.



VORSICHT

Obwohl Hauptbatterien eine niedrige Spannung haben, können sie doch bei Kurzschluß oder Erdung genug Strom abgeben, um brennbare Materialien zu entzünden oder Verletzungen bei Personen hervorzurufen.



VORSICHT

Wenn ein Austausch der FRU bei laufendem Betrieb nicht erlaubt ist, gehen Sie beim Austausch der FRU wie folgt vor: Schalten Sie den Computer aus, ziehen Sie alle Netzkabel von den Netzsteckdosen ab, entfernen Sie den Akku und ziehen Sie alle miteinander verbundenen Kabel ab.



סכנה

לפני הפעלת המחשב לאחר החלפת FRU יש לוודא שכל הברגים, הקפיצים, וחלקים קטנים אחרים נמצאים במקומם ואינם חופשיים לזוז בתוך המחשב. כדי לוודא זאת, יש לטלטל את המחשב ולחקשיב לגילוי קולות שקשוק. חלקי או שבבי מתכת עלולים לגרום לקצרים חשמליים.



סכנה

סוללות המתנה מסוימות מכילות כמות קטנה של ניקל וקדמיום. אין לפרק סוללת המתנה, לטעון אותה מחדש, להשליך אותה לאש או למים או לקצר אותה. יש לסלק את הסוללה בנדרש על ידי התקנות והחוקים המקומיים. יש להשתמש רק בסוללה המופיעה ברשימת החלקים המתאימה. שימוש בסוללה לא מתאימה עלול לגרום להצתה או התפוצצות של הסוללה.



סכנה

מארז הסוללה מכיל כמות קטנה של ניקל וקדמיום. אין לפרק את מארז הסוללה, להשליך אותו לאש או למים או לקצר אותו. יש לסלק את מארז הסוללה כנדרש על ידי התקנות והחוקים המקומיים. יש להשתמש רק בסוללה המופיעה ברשימת החלקים המתאימה בזמן החלפת מארז הסוללה. שימוש בסוללה לא מתאימה עלול לגרום להצתה או התפוצצות של הסוללה.



סכנה

סוללת הליתיום עלולה לגרום לשריפה, להתפוצצות או לכוויות קשות. אין לטעון אותה מחדש, לסלק את המחבר המקוטב שלה, לפרק אותה או לחמם אותה לטמפרטורה העולה על 100 מעלות צלזיוס. אין לשרוף את הסוללה ואין לחשוף את תוכן התא למים. יש לסלק את הסוללה בנדרש בתקנות ובחוקים המקומיים. יש להשתמש רק בסוללה המופיעה ברשימת החלקים המתאימים. שימוש בסוללה אחרת עלול לגרום לסכנת שריפה או התפוצצות.



סכנה

אם מסך הנביש הנוזלי (LCD) נשבר והנוזל מתוך המסך בא במגע עם עיניכם או ידיכם, שטפו את האזורים הנגועים מיד במים במשך 15 דקות לפחות. פנו לקבלת עזרה רפואית אם תסמינים הנובעים מחמצנו עם הנוזל נמשכים לאחר השטיפה.



סכנה

כדי למנוע התחשמלות, אין לחסיר את מכסה הפלסטיק המגן על חלקו התחתון של הכרטיס ההפוך.



סכנה

אף שהסוללות הראשיות הן בעלות מתח נמוך, סוללה מקוצרת או מוארכת עלולה להפיק זרם מספיק לגרימת כוויות או להצתת חומרים דליקים.

LCD が破損し、LCD 中の液体が目に入ったり、手に触れたりした場合は、液体が触れた部分を少なくとも 15 分間洗い流してください。洗い流した後に、液体によって何らかの症状が現れた場合は、医師の治療を受けてください。



危険

感電を防ぐため、インバーター・カードの下部を保護しているプラスチック・カバーを外さないでください。



危険

メイン・バッテリーの電圧は低くても、ショートしたり、接地したバッテリーが、作業者にやけどを負わせたり、可燃物を燃やすだけの電流を発生させる場合があります。



危険

交換しようとしている FRU がホット・スワップに対応していない場合、それを取り外す前に、コンピューターの電源をオフにし、すべての電源コードをコンセントから抜き、バッテリー・パックを取り外して、相互接続しているケーブルをすべて切り離してください。



위험

FRU를 교체하고 나서 컴퓨터 전원을 켜기 전에 모든 나사, 스프링 및 기타 작은 부품들이 올바른 위치에 있는지, 컴퓨터 내부에 단단하게 연결되어 있는지 확인하십시오. 컴퓨터를 흔들어 달걀거리는 소리가 나지 않는지 확인하십시오. 금속 부품 또는 금속 조각은 누전을 일으킬 수 있습니다.



위험

일부 보조 배터리에는 소량의 니켈 및 카드뮴이 포함되어 있습니다. 보조 배터리를 분해하거나, 다시 충전하거나, 불 또는 물에 던지거나, 단락시키지 마십시오. 배터리 팩을 폐기할 때에는 해당 지역의 법률 규정을 따르십시오. 배터리 팩을 교체할 때에는 올바른 배터리만 사용하십시오. 올바르지 않은 배터리를 사용하면 배터리가 발화되거나 폭발할 수 있습니다.



위험

배터리 팩에는 소량의 니켈이 포함되어 있습니다. 배터리 팩을 분해하거나, 불 또는 물에 던지거나, 단락시키지 마십시오. 배터리 팩을 폐기할 때에는 해당 지역의 법률 규정을 따르십시오. 배터리 팩을 교체할 때에는 올바른 배터리만 사용하십시오. 올바르게 않은 배터리를 사용하면 배터리가 발화되거나 폭발할 수 있습니다.



위험

리튬 배터리는 화재, 폭발 또는 심각한 화상을 일으킬 수 있습니다. 리튬 배터리를 다시 충전하거나, 극성 커넥터를 제거하거나, 분해하거나, 100C(212F) 이상으로 가열하거나, 소각하거나, 전지 내용물을 물에 노출시키지 마십시오. 배터리를 폐기할 때에는 해당 지역을 법률 규정을 따르십시오. 올바른 배터리만 사용하십시오. 올바르게 않은 배터리를 사용하면 배터리가 발화되거나 폭발할 수 있습니다.



위험

LCD가 파손되어 LCD 내부의 액체가 눈에 들어가거나 손에 묻으면 즉시 깨끗한 물로 15분 이상 닦아 내십시오. 씻은 후에 조금이라도 이상을 느끼면 즉시 병원에 가서 의사의 진찰을 받아야 합니다.



위험

전기적 위험을 방지하려면 인버터 카드의 아래 부분을 보호하는 플라스틱 덮개를 제거하지 마십시오.



위험

기본 배터리의 전압은 낮지만, 단락되거나 접지된 배터리는 화상을 입히기에 충분한 전류와 가연성 물질을 발생시킬 수 있습니다.



위험

FRU 교체 시 Hot Swap이 지원되지 않는 경우, FRU를 제거하기 전에 컴퓨터의 전원을 끄고, 전기 콘센트에서 전원 코드를 분리하고, 배터리를 제거한 후, 연결된 모든 케이블을 분리하십시오.



PELIGRO

Antes de encender el sistema despues de sustituir una FRU, compruebe que todos los tornillos, muelles y demás piezas pequeñas se encuentran en su sitio y no se encuentran sueltas dentro del sistema. Compruébelo agitando el sistema y escuchando los posibles ruidos que provocarían. Las piezas metálicas pueden causar cortocircuitos eléctricos.



PELIGRO

Algunas baterías de reserva contienen una pequeña cantidad de níquel y cadmio. No las desmonte, ni recargue, ni las eche al fuego o al agua ni las cortocircuite. Deséchelas tal como dispone la normativa local. Utilice sólo baterías que se encuentren en la lista de piezas. La utilización de una batería no apropiada puede provocar la ignición o explosión de la misma.



PELIGRO

Las baterías contienen pequeñas cantidades de níquel. No las desmonte, ni recargue, ni las eche al fuego o al agua ni las cortocircuite. Deséchelas tal como dispone la normativa local. Utilice sólo baterías que se encuentren en la lista de piezas al sustituir la batería. La utilización de una batería no apropiada puede provocar la ignición o explosión de la misma.



PELIGRO

La batería de repuesto es una batería de litio y puede provocar incendios, explosiones o quemaduras graves. No la recargue, ni quite el conector polarizado, ni la desmonte, ni caliente por encima de los 100°C (212°F), ni la incinere ni exponga el contenido de sus celdas al agua. Deséchela tal como dispone la normativa local.



PELIGRO

Si la LCD se rompe y el fluido de su interior entra en contacto con sus ojos o sus manos, lave inmediatamente las áreas afectadas con agua durante 15 minutos como mínimo. Obtenga atención medica si se presenta algún síntoma del fluido despues de lavarse.



PELIGRO

Para evitar descargas, no quite la cubierta de plástico que rodea la parte baja de la tarjeta invertida.



PELIGRO

Aunque las baterías principales tienen un voltaje bajo, una batería cortocircuitada o con contacto a tierra puede producir la corriente suficiente como para quemar material combustible o provocar quemaduras en el personal.



PELIGRO

Salvo que se permita el intercambio en caliente para la unidad sustituible localmente, realice lo siguiente antes de extraerla: apague el sistema, desconecte todos los cables de alimentación de las tomas de alimentación eléctrica, extraiga la batería y desconecte los cables de interconexión.



危險

完成 FRU 更換之後，在開啟電腦的電源之前，請確定所有螺絲、彈簧及其他小零件都已歸位，沒有遺留在電腦內部。
若要確認這一點，請搖晃電腦，聽聽看是否有卡嗒的聲響。
金屬零件或儀錶的火花會造成電線短路。



危險

部分備用電池含有微量的鎳和鎘。請勿拆開備用電池、再充電、丟入火或水中，或使其形成短路。請按照當地法令或規定來棄置電池。
僅限使用零件清單中的電池。使用不適當的電池會導致電池起火或爆炸。



危險

電池套件含有微量的鎳。請勿拆開電池套件、丟入火或水中，或使其形成短路。
請按照當地法令或規定來棄置電池套件。
更換電池套件時，僅限使用零件清單中的電池。使用不適當的電池會導致電池起火或爆炸。



危險

鋰電池會導致起火、爆炸或嚴重燒傷。請勿再充電、拔除其電極接頭、拆開、加熱超過 100°C (212°F)、焚燒，或讓電池組成物浸到水。請按照當地法令或規定來棄置電池。
僅限使用零件清單中的電池。使用不適當的電池會導致電池起火或爆炸。



危險

如果 LCD 破裂導致 LCD 流出的液體沾到您的眼睛或手，請立即以清水沖洗沾染部位至少 15 分鐘。如果在清洗後出現該液體所造成的任何症狀，請就醫治療。



危險

為避免電擊，請勿拆下轉換卡下面的塑膠護蓋。



危險

雖然主電池的電壓很低，但短路或接地電池所產生的電流，仍足以使人燒傷或使可燃物質起火。



危險

除非 FRU 允許以熱抽換來替換，否則請依下列方式將其移除：將電腦關機，拔除插座上所有電源線，移除電池包，並拔開任何交互連接的線材。

Chapter 2. General checkout

This chapter presents the following information:

- “What to do first” on page 21
- “Power system checkout” on page 22

Some descriptions in this chapter might not apply to your particular computer.

Before you go to the checkout guide, be sure to read the following important notes.

Important notes:

- **Only certified trained personnel should service the computer.**
- **Before replacing any FRU, read the entire page on removing and replacing FRUs.**
- **When you replace FRUs, it is recommended to use new nylon-coated screws.**
- **Be extremely careful during such write operations as copying, saving, or formatting.** Drives in the computer that you are servicing sequence might have been altered. If you select an incorrect drive, data or programs might be overwritten.
- **Replace a FRU only with another FRU of the correct model.** When you replace a FRU, ensure that the model of the machine and the FRU part number are correct.
- **A FRU should not be replaced because of a single, unreproducible failure.** Single failures can occur for a variety of reasons that have nothing to do with a hardware defect, such as cosmic radiation, ESD, or software errors. Consider replacing a FRU only when a problem recurs. If you suspect that a FRU is defective, clear the error log and run the test again. If the error does not recur, do not replace the FRU.
- **Be careful not to replace a nondefective FRU.**

What to do first

When you return a FRU, you must include the following information in the parts exchange form or parts return form that you attach to it:

1. Name and phone number of service technician
2. Date of service
3. Date on which the machine failed
4. Date of purchase
5. Failure symptoms, error codes appearing on the display, and beep symptoms
6. Procedure index and page number in which the failing FRU was detected
7. Failing FRU name and part number
8. Machine type, model number, and serial number
9. Customer’s name and address

Note: During the warranty period, the customer may be responsible for repair costs if the computer damage was caused by misuse, accident, modification, unsuitable physical or operating environment, or improper maintenance by the customer. Following is a list of some common items that are not covered under warranty and some symptoms that might indicate that the system was subject to stress beyond normal use.

Before checking problems with the computer, determine whether the damage is covered under the warranty by referring to the following list:

The following are not covered under warranty:

- LCD panel cracked from the application of excessive force or from being dropped
- Scratched (cosmetic) parts
- Distortion, deformation, or discoloration of the cosmetic parts

- Plastic parts, latches, pins, or connectors that have been cracked or broken by excessive force
- Damage caused by liquid spilled into the system
- Damage caused by the improper insertion of a PC Card or the installation of an incompatible card
- Diskette drive damage caused by pressure on the diskette drive cover, foreign material in the drive, or the insertion of a diskette with multiple labels
- Damaged or bent diskette eject button
- Fuses blown by attachment of a nonsupported device
- Forgotten computer password (making the computer unusable)
- Sticky keys caused by spilling a liquid onto the keyboard
- Use of an incorrect ac power adapter on laptop products

The following symptoms might indicate damage caused by nonwarranted activities:

- Missing parts might be a symptom of unauthorized service or modification.
- Check for obvious damage to a hard disk drive. If the spindle of a hard disk drive becomes noisy, the hard disk drive might have been dropped or subject to excessive force.

Power system checkout

If you suspect a power problem, see the appropriate one of the following power supply checkouts:

- “Checking the ac power adapter” on page 22
- “Checking the built-in battery and operational charging” on page 22

Checking the ac power adapter

You are here because the computer fails only when the ac power adapter is used.

- If the system status indicator is not on when an ac power source is connected, check the power cord of the ac power adapter for correct continuity and installation.
- If the computer does not charge during operation, go to “Checking the built-in battery and operational charging” on page 22.

To check the ac power adapter, measure the output voltage across the plug of the ac power adapter cable to see if the voltage is correct.

Notes:

- Noise from the ac power adapter does not always indicate a defect.
- Ensure that you use the ac power adapter that is shipped with the computer to provide enough power to the computer. Otherwise, a message might be displayed, prompting you that the computer will not be charged or will be charged slowly.

Checking the built-in battery and operational charging

This computer supports only batteries specially designed for this specific system and manufactured by Lenovo or an authorized builder. The system does not support unauthorized batteries or batteries designed for other systems. If an unauthorized battery or a battery designed for another systems is installed, the system will not charge.

Attention: Lenovo has no responsibility for the performance or safety of unauthorized batteries, and provides no warranties for failures or damage arising out of their use.

To check whether the battery charges properly during operation, do the following:

1. Discharge the battery until the remained battery power is less than 50%.
2. Connect the computer to ac power to charge the battery. If the battery status icon indicates that the battery is not charging, remove the battery and let it return to room temperature.
3. Reinstall the battery. If the battery is still not charging, replace the battery.

4. Check the battery status icon again. If the same error still exists, replace the system board.

Chapter 3. Create and use a USB repair shim

This chapter contains the following topics:

- “What is a USB repair shim?” on page 25
- “Create a USB repair shim” on page 25
- “Use the USB repair shim” on page 26

What is a USB repair shim?

You can create a USB repair shim by writing a repair shim image to a USB storage drive. With the USB repair shim, you can:

- Refresh the Chromebook system with the latest firmware.
- Diagnose problems and restore the system to factory settings.

Note: Before replacing any FRUs, use the USB repair shim to diagnose and identify problems.

When you use the USB repair shim to diagnose problems, the Chromebook enters the factory-test-image environment and runs through the following factory test items.

Table 1. Factory test items

Test item	Description
Final Functional Test (FFT)	The FFT is designed to test the function of individual component, such as the display, audio, camera, and keyboard. Some test items might require an HDMI™ monitor or SD card. If the devices are not available, the tests can be bypassed. As a result, the overall test is marked as failed.
RunIn and FAT	The RunIn and FAT are designed to test how the system functions under stress by running the maximum workload. It takes about 10 minutes to finish.
Google Required Tests (GRT)	The GRT is designed to check the system status and help reset the system back to factory settings. If any test fails, the GRT has to be forced to end.

Create a USB repair shim

Step 1. Prepare a USB storage drive with at least 8 GB of storage capacity.

Attention: The creation process deletes anything stored on the USB storage drive. To avoid data loss, backup all the data that you want to keep.

Step 2. Download the image file of the repair shim from <https://support.lenovo.com>. A Lenovo service credential is required to download the image file.

Note: Make sure to download the latest version of the image file. A shim created with an earlier version of the image file might cause the repair process to fail.

Step 3. Use a disk imaging tool to write the downloaded image to the USB storage drive. An open-source tool Win32 Disk Imager is available at <http://sourceforge.net/projects/win32diskimager>.

Use the USB repair shim

- Step 1. Press the power button together with **esc** and **C**. The Chrome operating system recovery screen is displayed. Follow the on-screen instructions to enter the developer mode.
- Step 2. Remove the base cover assembly, disconnect the built-in battery from the system board, and then attach the ac power adapter to the Chromebook.
- Step 3. Connect the prepared USB storage drive to the Chromebook and after the operating system verification screen is displayed, Press **Ctrl + U**.
- Step 4. Type **I** in the window prompted to install the shim image. The Chromebook will enter the factory-test-image environment after the process is completed.
- Step 5. Detach the ac power adapter, reconnect the built-in battery to the system board, and then reattach the ac power adapter to the Chromebook.
- Step 6. Remove the USB repair shim from the Chromebook and store it in a safe place.
- Step 7. Follow the on-screen instructions to start the FFT.

Note: If the FFT detects a defective component, turn off the Chromebook, detach the ac power adapter, and then replace the defective component.

- Step 8. Start the RunIn and FAT (This is an optional operation.)
- Step 9. Follow the on-screen instructions to start the GRT. If the tests finish successfully, all data stored on the Chromebook is deleted and the Chromebook is turned off. If the GRT fails, it might result from hardware identity (HWID) mismatch and write-protect malfunction. Use the following information to identify problems.

Problem	Description
HWID mismatch	<p>A set of valid hardware identities (HWIDs) is provided by Google. Google logs the exact hardware combination into a Chromebook and creates an HWID. The HWID is used for the following purposes:</p> <ul style="list-style-type: none">• Auto-update new patches and software for the lifetime of the Chromebook• Reset the Chromebook to factory settings <p>HWID mismatch can be caused by using unauthorized or missing parts. If the write-protect function is not turned off before recovering the Chromebook with the USB repair shim, it can also cause HWID mismatch.</p>
Write-protect malfunction	<p>The Chromebook system cannot be finalized until the write-protect function is turned on.</p>

Note: You can terminate the GRT when the tests have to be bypassed because they cannot be performed. To end the process, press **f**.

Chapter 4. Identifying FRUs (CRUs)

Locating FRUs and CRUs

This topic introduces the following service parts:

“Major FRUs and CRUs” on page 28

“LCD FRUs” on page 32

“Miscellaneous parts” on page 35

Notes:

- Each FRU is available for all types or models, unless otherwise specified.
- **CRU statement for customers:**

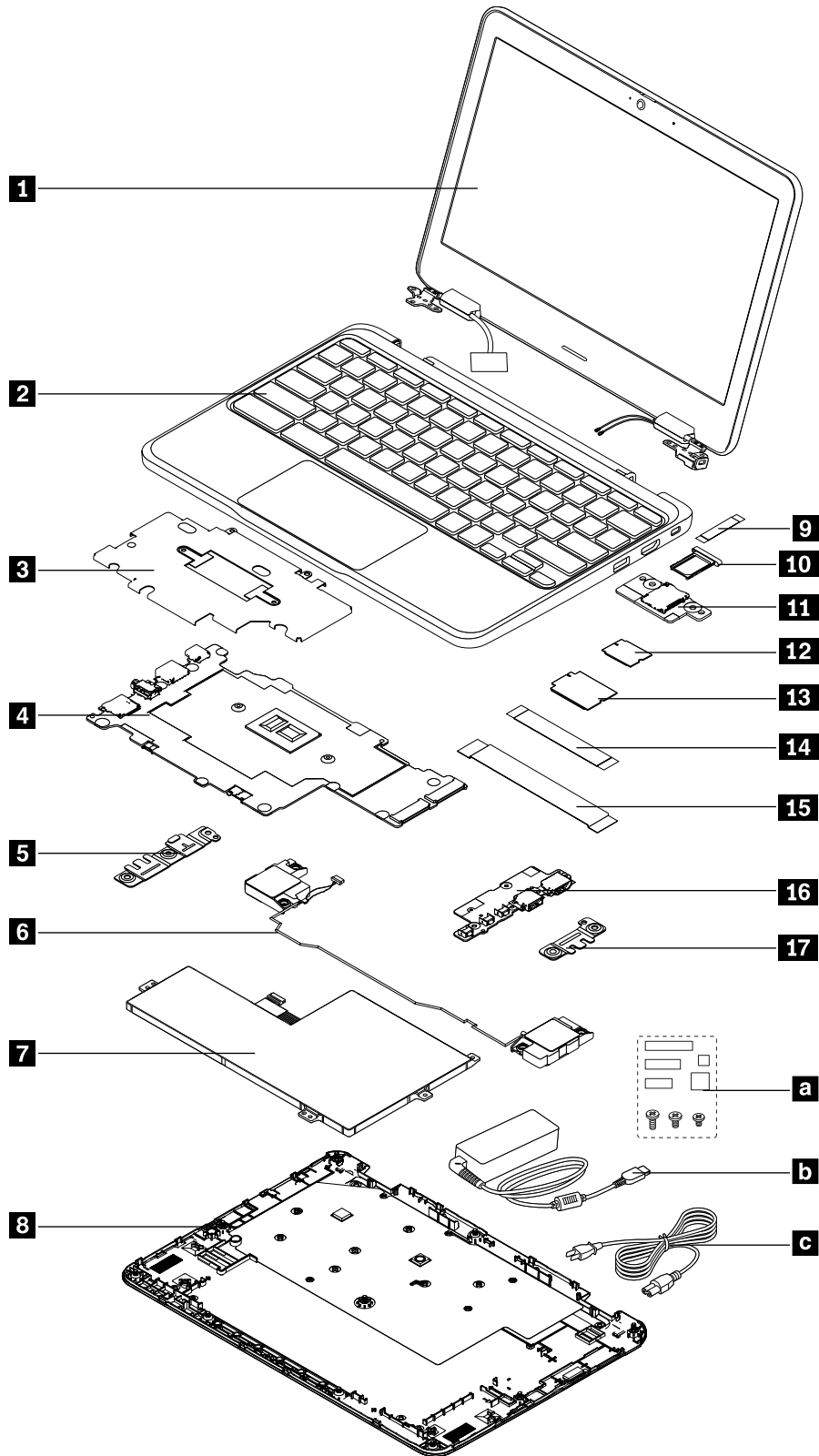
You can resolve some problems with your product with a replacement part you can install yourself, called a “Customer Replaceable Unit” or “CRU.” Some CRUs are designated as self-service CRUs and others are designated as optional-service CRUs. *Installation of self-service CRUs is your responsibility. For optional-service CRUs, you can either install the CRU yourself or you can request that a Service Provider install the CRU according to the warranty service for your product.* If you intend on installing the CRU, Lenovo will ship the CRU to you. CRU information and replacement instructions are shipped with your product and are available from Lenovo at any time upon request. You can find a list of CRUs for your product in this *Hardware Maintenance Manual*. An electronic version of this manual can be found at <https://support.lenovo.com>. Click **Documentation** and then follow the on-screen instructions to find the manual for your product. You might be required to return the defective CRU. When return is required: (1) return instructions, a prepaid shipping label, and a container will be included with the replacement CRU; and (2) you might be charged for the replacement CRU if Lenovo does not receive the defective CRU within thirty (30) days of your receipt of the replacement CRU. See your Lenovo Limited Warranty documentation for full details.

Chromebook contains the following types of CRUs and FRUs:

- **Self-service CRUs:** Refer to parts that can be installed or replaced easily by customer themselves or by trained service technicians at an additional cost.
- **Optional-service CRUs:** Refer to parts that can be installed or replaced by customers with a greater skill level. Trained service technicians can also provide service to install or replace the parts under the type of warranty designated for the customer’s machine.
- **FRUs:** Refer to parts that must be installed or replaced only by trained service technicians. If customers choose to replace the FRUs by themselves, the product warranty might be affected.

Major FRUs and CRUs

Lenovo 100e Chromebook Gen 3



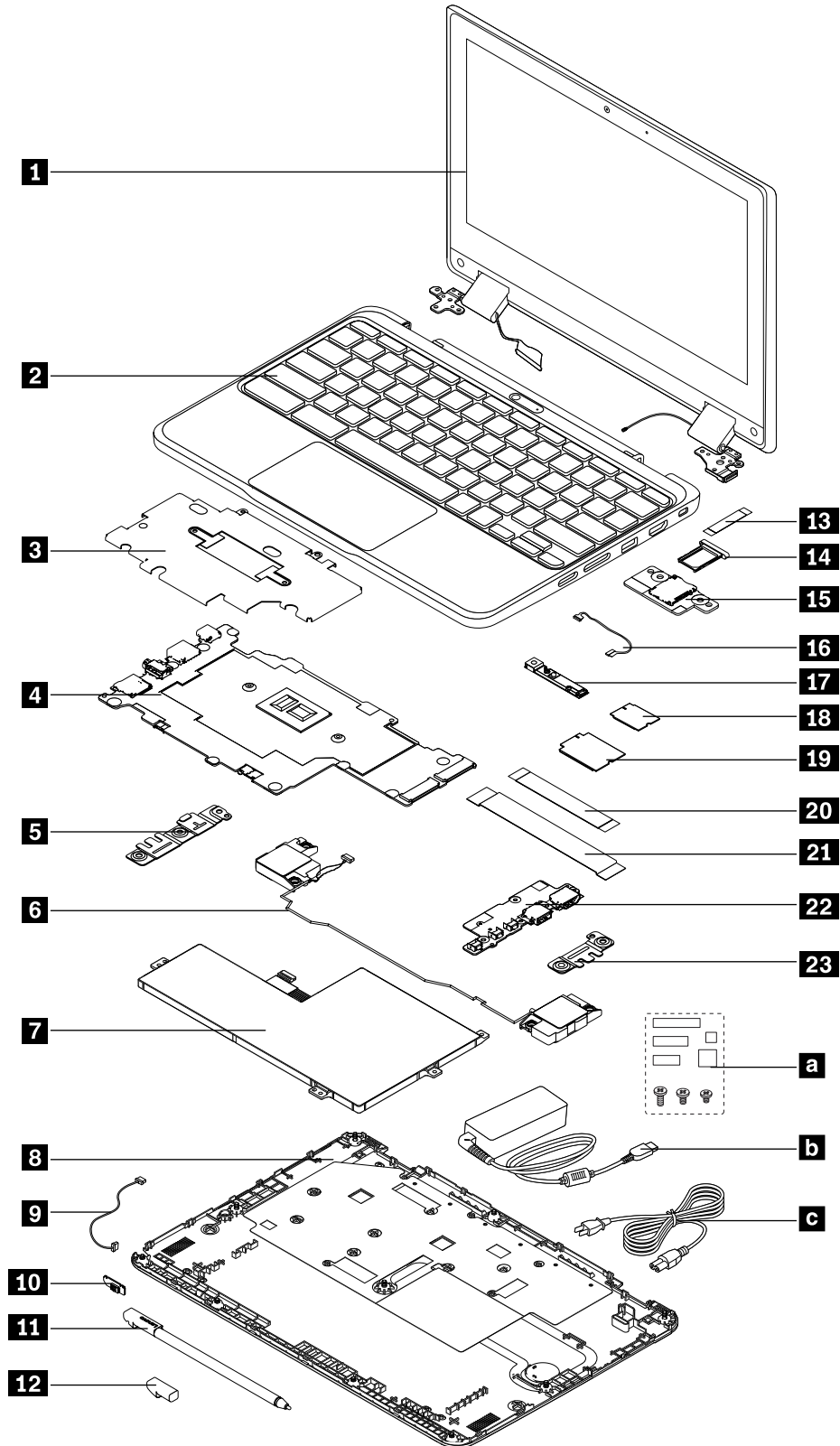
Note: Depending on the Chromebook model, your Chromebook might look different from the illustration above.

Table 2. Major FRUs and CRUs

No.	FRU description	Self-service CRU	Optional-service CRU
1	LCD unit	No	No
2	Keyboard assembly	No	No
3	Heatsink	No	No
4	System board	No	No
5	USB-C Bracket	No	No
6	Speaker assembly	No	No
7	Built-in battery	No	No
8	Base cover assembly	No	Yes
9	Nano-SIM-card cable*	No	No
10	Nano-SIM-card tray*	Yes	No
11	Nano-SIM-card board*	No	No
12	Wireless LAN card	No	No
13	Wireless WAN card*	No	No
14	Daughter board cable 22 pin FFC	No	No
15	Daughter board cable 36 pin FFC	No	No
16	Daughter board	No	No
17	Daughter board bracket	No	No
a	Miscellaneous parts kits (see “Miscellaneous parts” on page 35)	No	No
b	ac power adapter	Yes	No
c	Power cord	Yes	No

* for selected models

Lenovo 300e/500e Chromebook Gen 3



Note: Depending on the Chromebook model, your Chromebook might look different from the illustration above.

Table 3. Major FRUs and CRUs

No.	FRU description	Self-service CRU	Optional-service CRU
1	LCD unit	No	No
2	Keyboard assembly	No	No
3	Heatsink	No	No
4	System board	No	No
5	USB-C Bracket	No	No
6	Speaker assembly	No	No
7	Built-in battery	No	No
8	Base cover assembly	No	Yes
9	Electronic pen cable	No	No
10	Electronic pen board	No	No
11	Electronic pen*	Yes	No
12	Pen dummy*	Yes	No
13	Nano-SIM-card cable*	No	No
14	Nano-SIM-card tray*	Yes	No
15	Nano-SIM-card board*	No	No
16	World-Facing camera cable*	No	No
17	World-Facing camera board*	No	No
18	Wireless LAN card*	No	No
19	Wireless WAN card*	No	No
20	Daughter board cable 22 pin FFC	No	No
21	Daughter board cable 36 pin FFC (for Lenovo 300e Chromebook Gen 3) Daughter board cable 30 pin FFC (for Lenovo 500e Chromebook Gen 3)	No	No
22	Daughter board	No	No
23	Daughter board bracket	No	No
a	Miscellaneous parts kits ("Miscellaneous parts" on page 35)	No	No
b	ac power adapter	Yes	No
c	Power cord	Yes	No

* for selected models

LCD FRUs

Lenovo 100e Chromebook Gen 3

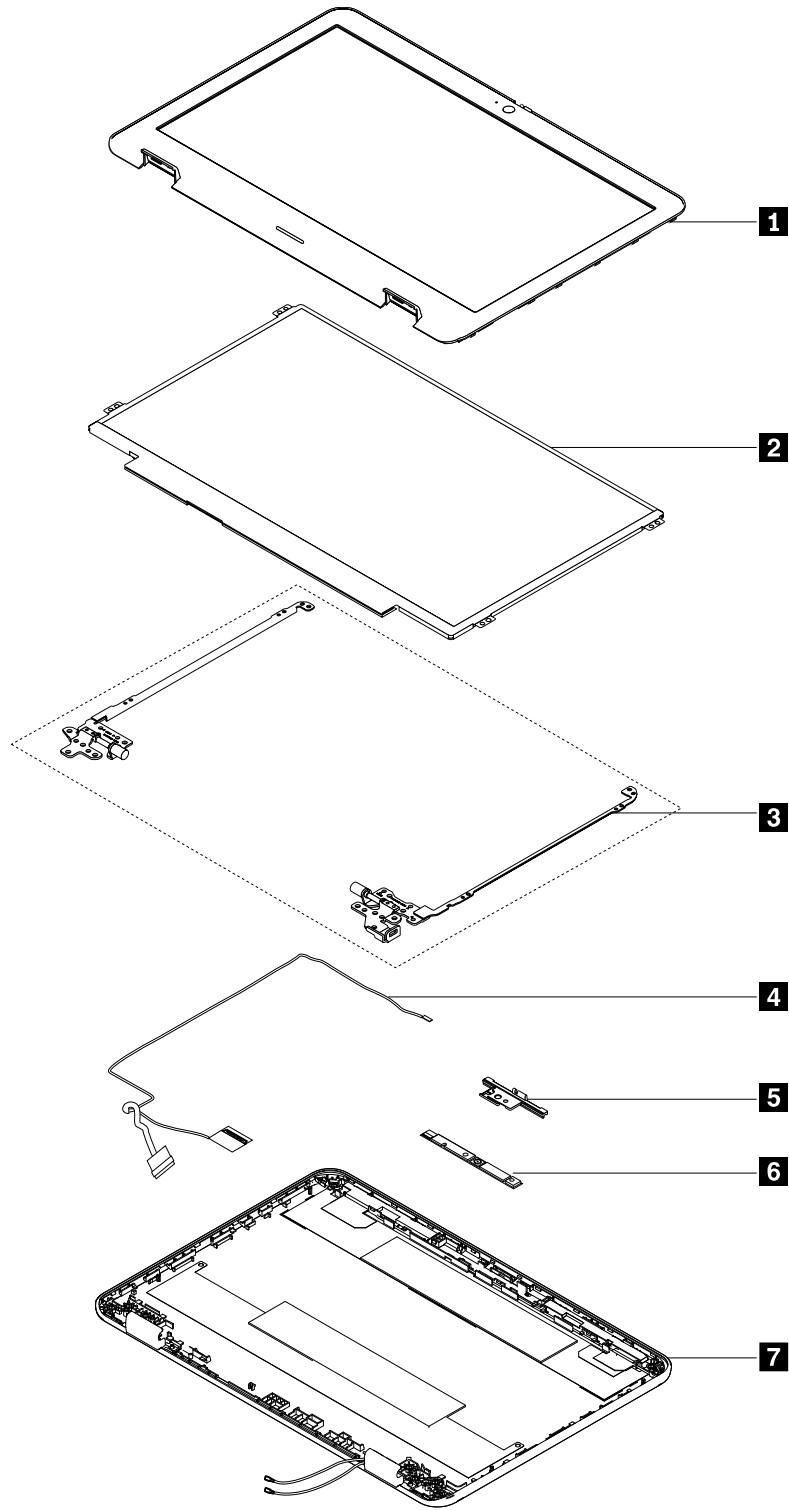


Table 4. LCD FRUs

No.	FRU description	Self-service CRU	Optional-service CRU
1	LCD bezel	No	No
2	LCD panel	No	No
3	LCD hinges	No	No
4	Camera/LCD cable	No	No
5	Webcam privacy shutter	No	No
6	Camera board	No	No
7	LCD base cover assembly	No	No

Lenovo 300e/500e Chromebook Gen 3

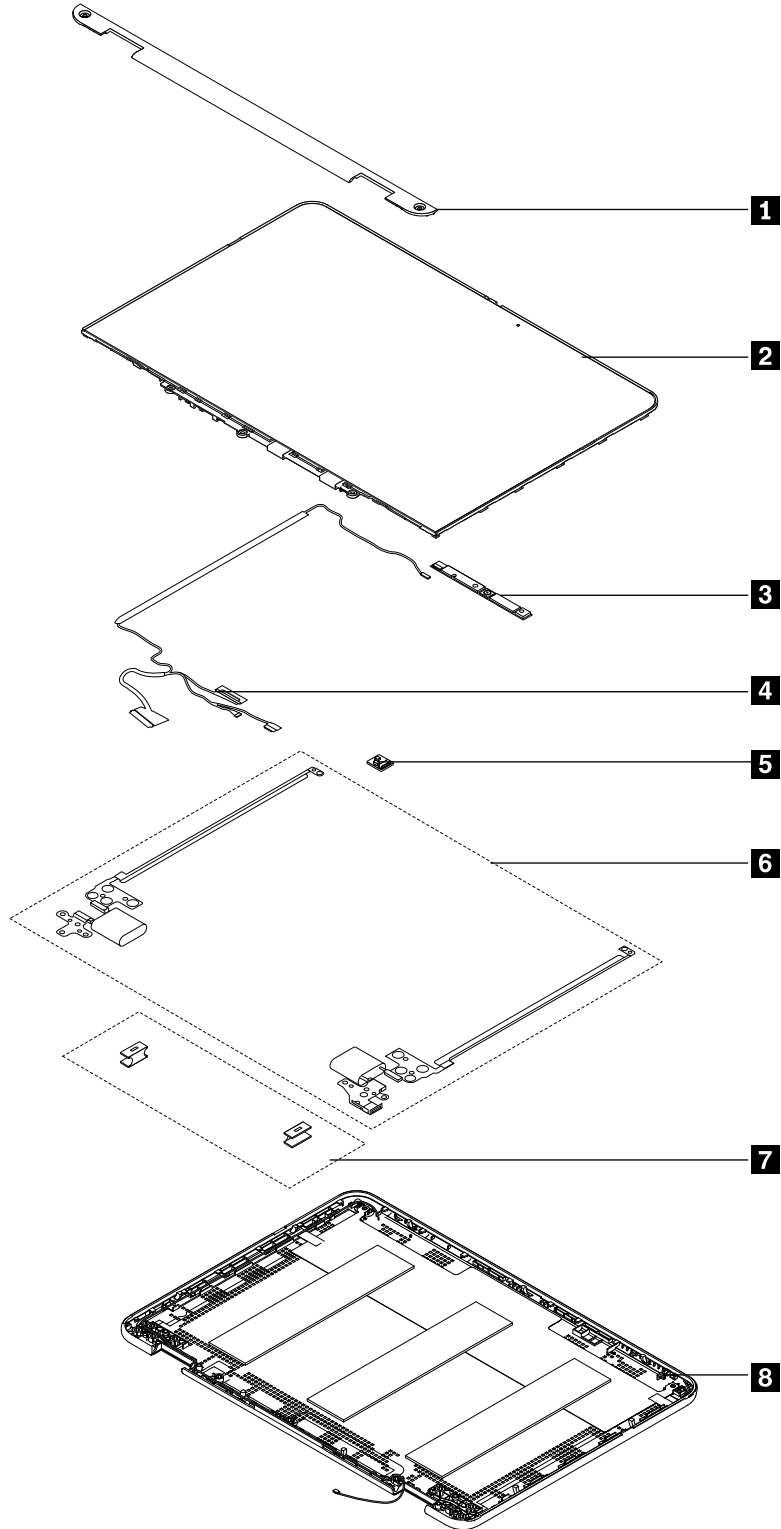


Table 5. LCD FRUs and CRUs

No.	FRU description	Self-service CRU	Optional-service CRU
1	LCD strip cover	No	No

Table 5. LCD FRUs and CRUs (continued)

2	LCD panel	No	No
3	Camera board	No	No
4	Camera/LCD cable	No	No
5	Sensor board	No	No
6	LCD hinges	No	No
7	Hinge rubbers	No	No
8	LCD base cover assembly	No	No

Miscellaneous parts

Table 6. Miscellaneous parts

FRU descriptions	Self-service CRU	Optional-service CRU
Screw kit (Lenovo 100e Chromebook Gen 3): <ul style="list-style-type: none"> • Screw M2 x L3, black (8) • Screw M2 x L3, silver (8) • Screw M2 x L4, black (18) • Screw M2.5 x L5, silver (6) • Spec Screw kit (Lenovo 300e/500e Chromebook Gen 3): <ul style="list-style-type: none"> • Screw M2 x L3, black (11) • Screw M2 x L2.5, black (6) • Screw M2 x L4, black (18) • Screw M2.5 x L5, silver (6) • Spec 	No	No

Looking up FRU information

For detailed FRU information, including part numbers, descriptions, and substitution part numbers, go to:

<https://support.lenovo.com/partslookup>

Chapter 5. Removing or replacing a FRU

This chapter provides instructions on how to remove or replace a FRU.

CRU statement for customers:

You can resolve some problems with your product with a replacement part you can install yourself, called a “Customer Replaceable Unit” or “CRU.” Some CRUs are designated as self-service CRUs and others are designated as optional-service CRUs. *Installation of self-service CRUs is your responsibility. For optional-service CRUs, you can either install the CRU yourself or you can request that a Service Provider install the CRU according to the warranty service for your product.* If you intend on installing the CRU, Lenovo will ship the CRU to you. CRU information and replacement instructions are shipped with your product and are available from Lenovo at any time upon request. You can find a list of CRUs for your product in this *Hardware Maintenance Manual*. An electronic version of this manual can be found at <https://support.lenovo.com>. Click **Documentation** and then follow the on-screen instructions to find the manual for your product. You might be required to return the defective CRU. When return is required: (1) return instructions, a prepaid shipping label, and a container will be included with the replacement CRU; and (2) you might be charged for the replacement CRU if Lenovo does not receive the defective CRU within thirty (30) days of your receipt of the replacement CRU. See your Lenovo Limited Warranty documentation for full details.

General guidelines

When removing or replacing a FRU, ensure that you observe the following general guidelines:

1. Do not try to service any computer unless you have been trained and certified. An untrained person runs the risk of damaging parts.
2. Begin by removing any FRUs that have to be removed before replacing the failing FRU. Any such FRUs are listed at the beginning of each FRU replacement procedure. Remove them in the order in which they are listed.
3. Follow the correct sequence in the steps for removing a FRU, as shown in the illustrations by the numbers in square callouts.
4. When removing a FRU, move it in the direction as shown by the arrow in the illustration.
5. To install a new FRU in place, perform the removal procedure in reverse and follow any notes that pertain to replacement.
6. If screws are missing, look up details in “Miscellaneous parts” on page 35 for replacement screws and order them through the Lenovo CRM system.
7. When replacing the base cover, reapply all labels that come with the replacement base cover. If some original labels are not included with the replacement base cover, peel them off from the original base cover and paste them on the replacement base cover.



Before removing any FRU or CRU, shut down the computer and unplug all power cords from electrical outlets.

Attention:

- After replacing a FRU, do not turn on the computer until you have ensured that all screws, springs, and other small parts are in place and none are loose inside the computer. Verify this by shaking the computer gently and listening for rattling sounds. Metallic parts or metal flakes can cause electrical short circuits.

- The system board is sensitive to and can be damaged by ESD. Before touching it, establish personal grounding by touching a ground point with one hand or by using an ESD strap (P/N 6405959).

Disabling the built-in battery

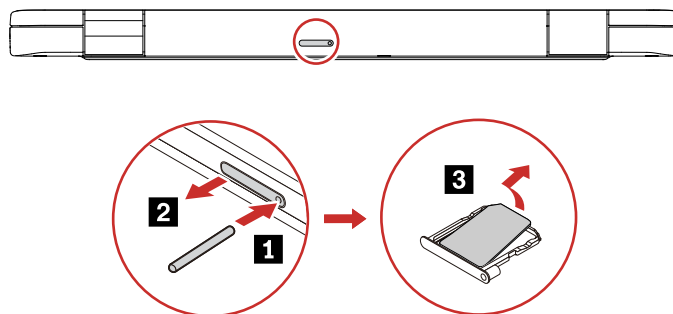
Before replacing any FRU, ensure that you disable the built-in battery.

To disable the built-in battery, press **C** together with the power button for about five seconds, and at the same time detach the ac power adapter from the Chromebook.

Note: Power supply from the built-in battery will resume after you reconnect the Chromebook to the ac power adapter.

Removing the nano-SIM card and the nano-SIM-card tray

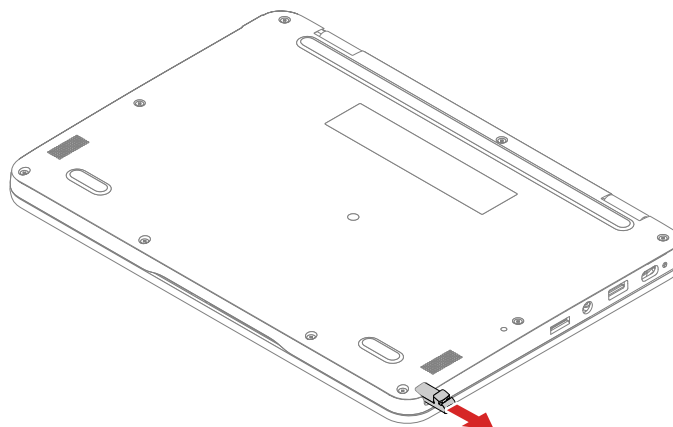
Some models you are servicing might have a nano-SIM card installed. If the Chromebook you are servicing has a nano-SIM card installed, remove the nano-SIM card and the nano-SIM-card tray before you start the servicing.



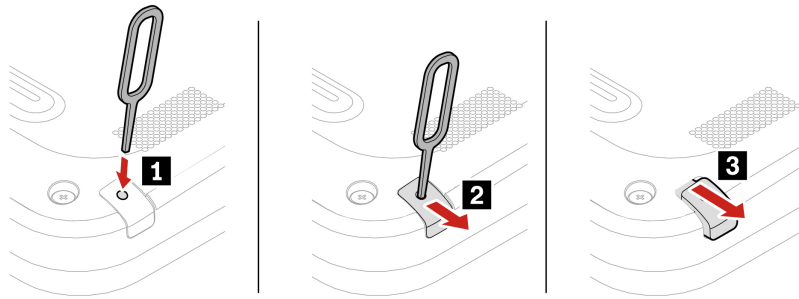
After you finish the servicing, ensure that you install the card and the tray back into the slot firmly.

1010 Electronic pen / Pen dummy (for selected models of Lenovo 300e/500e Chromebook Gen 3)

Removal step of the electronic pen

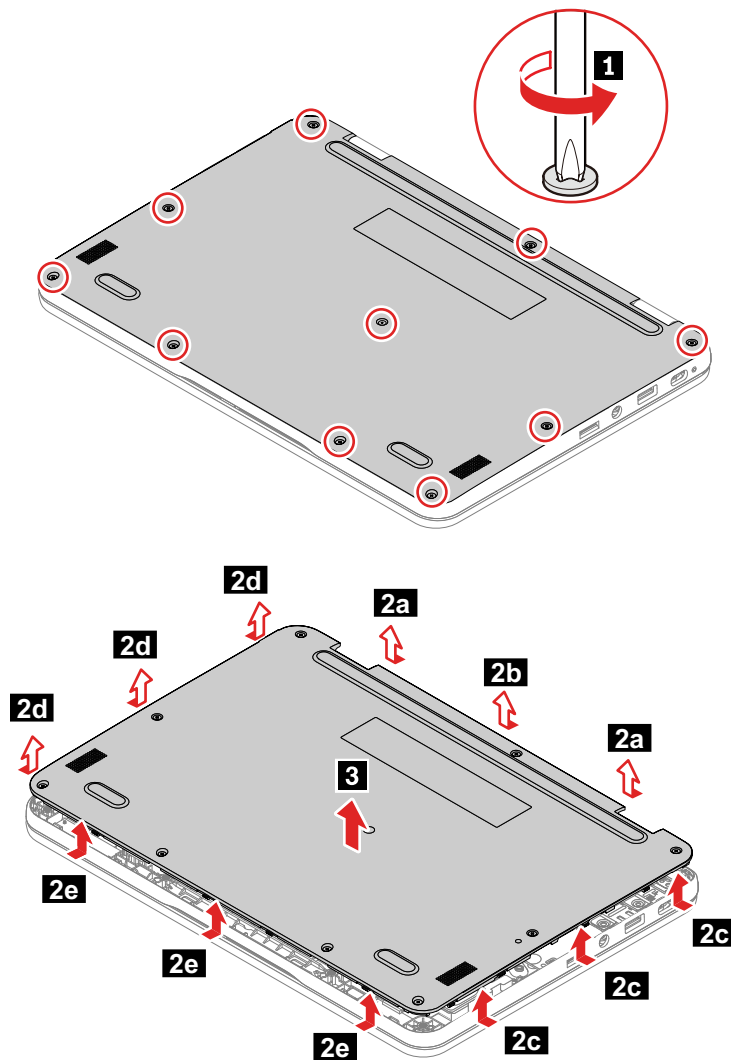


Removal step of the pen dummy



1020 Base cover assembly

Removal steps of the base cover assembly



Applying labels to the base cover assembly

Note: Depending on the country or region of delivery, the labels might be slightly different from the ones in the following illustration.

The new base cover assembly FRU is shipped with a kit containing labels of several kinds. Apply those labels when you replace the base cover assembly. For the labels that are not shipped with the new base cover assembly, peel them from the old base cover assembly, and adhere them to the new one.

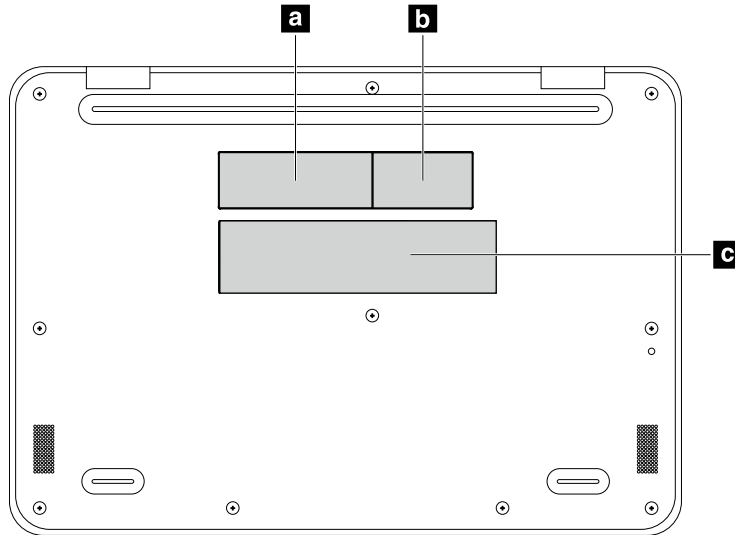


Table 7. All base cover labels

Label	Label description
a	Rating label
b	Rating print label
c	GEO label

1030 Built-in battery

Important notice for replacing a battery

Attention: Lenovo has no responsibility for the performance or safety of unauthorized batteries, and provides no warranties for failures or damage arising out of their use.

For access, remove these FRUs in order:

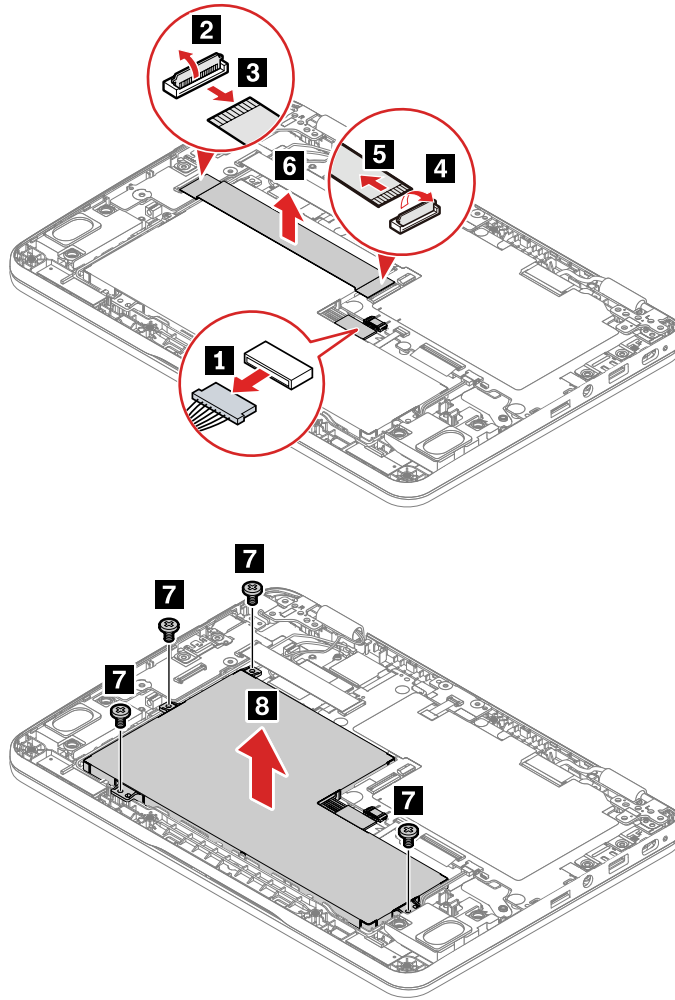
- “1010 Electronic pen / Pen dummy (for selected models of Lenovo 300e/500e Chromebook Gen 3)” on page 38
- “1020 Base cover assembly” on page 39

Removal steps of the built-in battery



DANGER

Use only the authorized battery specified for your computer. Any other battery could ignite or explode.



Step	Screw (quantity)	Color
7	M2 × 4 mm, flat-head, nylon-coated (4)	Black

When installing:

- Ensure that the connectors are attached firmly.
- Ensure that the base cover assembly is attached firmly; otherwise, battery connection might fail.

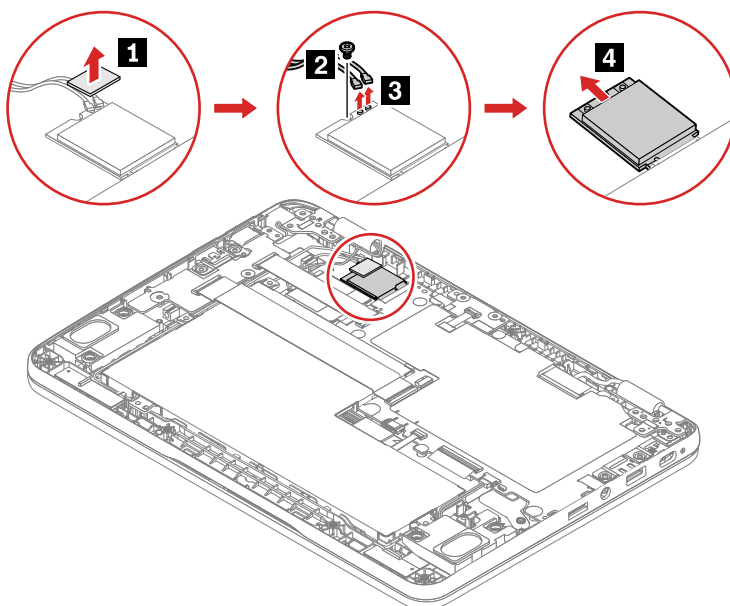
1040 Wireless LAN card (for selected models)

For access, remove these FRUs in order:

- “1010 Electronic pen / Pen dummy (for selected models of Lenovo 300e/500e Chromebook Gen 3)” on page 38
- “1020 Base cover assembly” on page 39

Removal steps of the wireless LAN card

Unplug the connectors by using the antenna RF connector removal tool or pick the connectors with your fingers and gently unplug them as shown.



Step	Screw (quantity)	Color
2	M2 × 3 mm, flat-head, nylon-coated (1)	Black

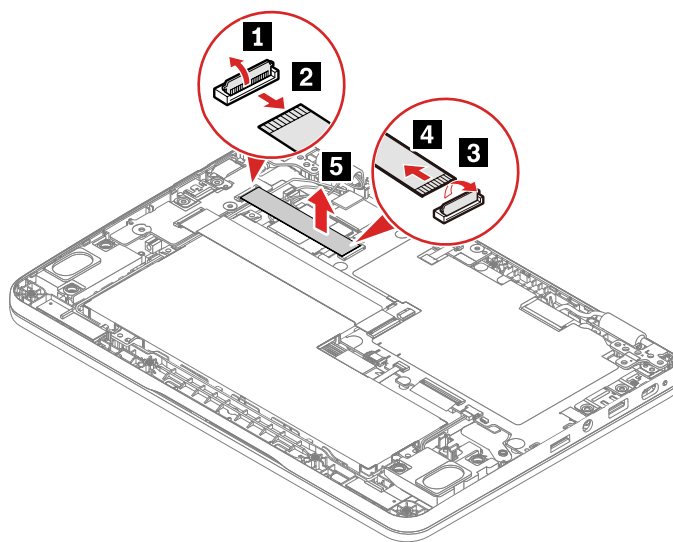
When installing: Plug the black cable into the main connector, and the white cable into the auxiliary connector on the card.

1050 Wireless WAN card (for selected models)

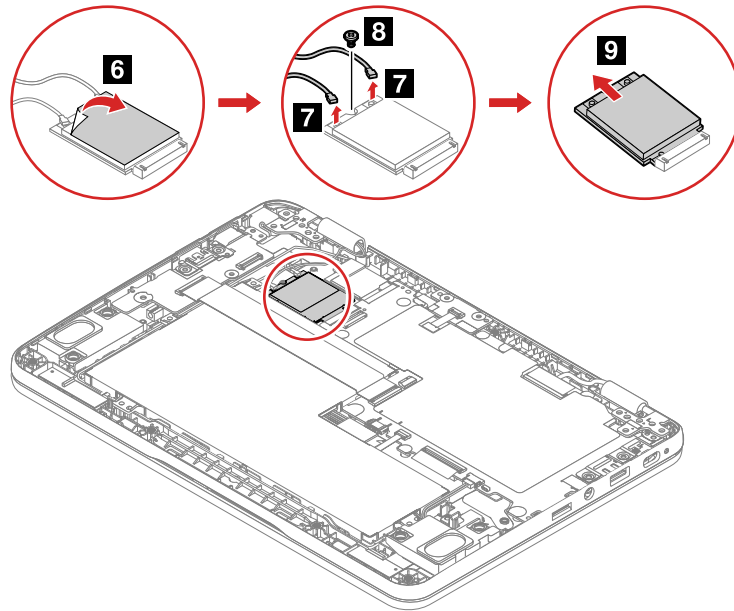
For access, remove these FRUs in order:

- “1010 Electronic pen / Pen dummy (for selected models of Lenovo 300e/500e Chromebook Gen 3)” on page 38
- “1020 Base cover assembly” on page 39

Removal steps of the wireless WAN card



Unplug the connectors by using the antenna RF connector removal tool or pick the connectors with your fingers and gently unplug them as shown.



Step	Screw (quantity)	Color
8	M2 × 3 mm, flat-head, nylon-coated (1)	Black

When installing:

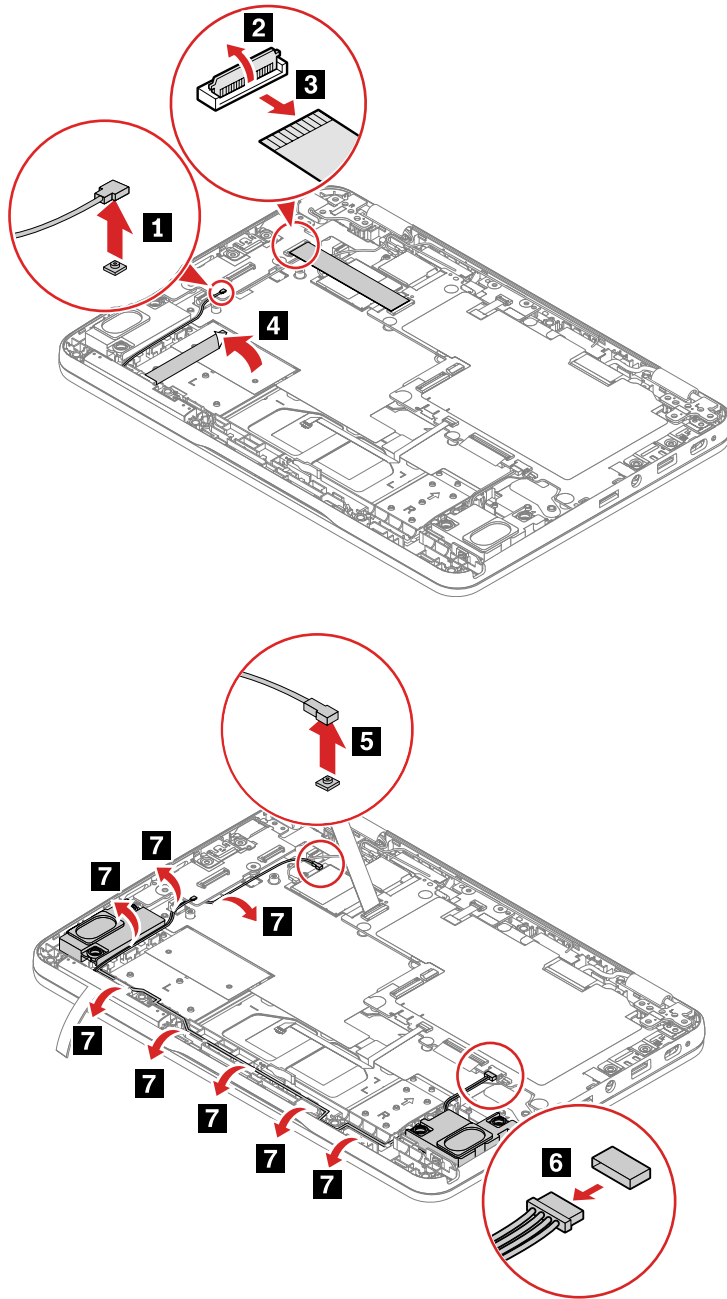
- Plug the orange cable into the main connector, and the blue cable into the auxiliary connector on the card.
- Ensure that the connectors are attached firmly.

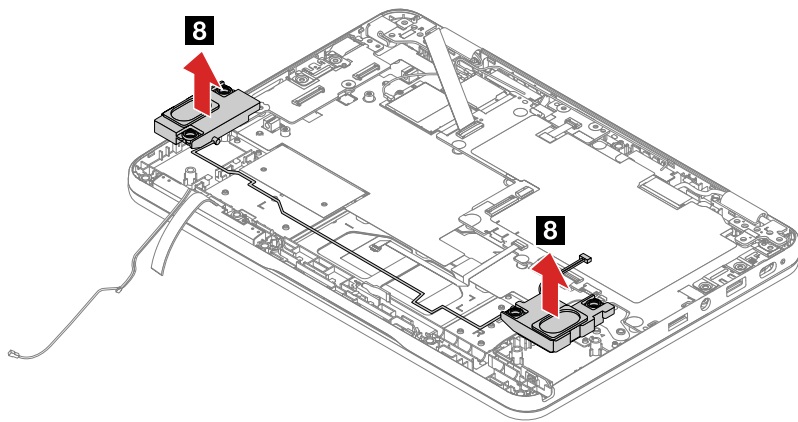
1060 Speaker assembly

For access, remove these FRUs in order:

- “1010 Electronic pen / Pen dummy (for selected models of Lenovo 300e/500e Chromebook Gen 3)” on page 38
- “1020 Base cover assembly” on page 39
- “1030 Built-in battery” on page 40

Removal steps of the speaker assembly





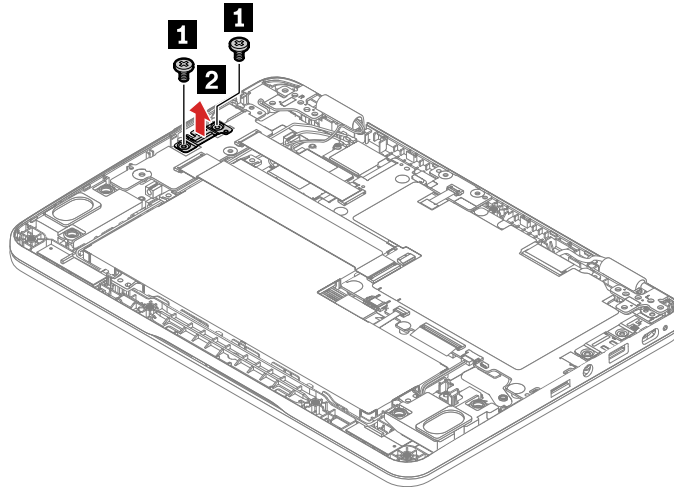
When installing: Ensure that the connectors are attached firmly.

1070 Daughter board bracket

For access, remove these FRUs in order:

- “1010 Electronic pen / Pen dummy (for selected models of Lenovo 300e/500e Chromebook Gen 3)” on page 38
- “1020 Base cover assembly” on page 39
- “1030 Built-in battery” on page 40

Removal steps of the daughter board bracket



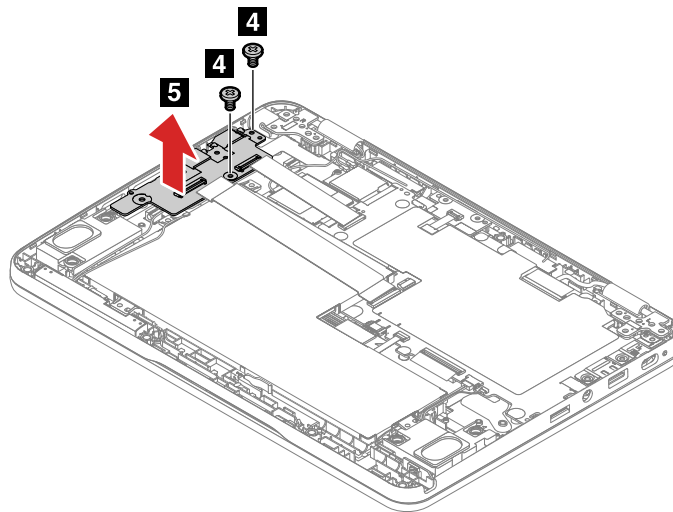
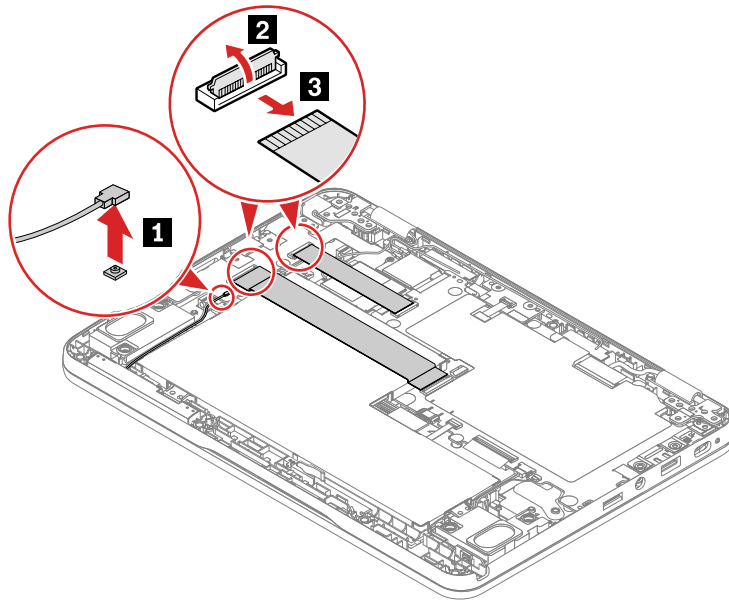
Step	Screw (quantity)	Color
1	M2 × 4 mm, flat-head, nylon-coated (2)	Black

1080 Daughter board

For access, remove these FRUs in order:

- “1010 Electronic pen / Pen dummy (for selected models of Lenovo 300e/500e Chromebook Gen 3)” on page 38
- “1020 Base cover assembly” on page 39
- “1030 Built-in battery” on page 40
- “1070 Daughter board bracket” on page 45

Removal steps of the daughter board



Step	Screw (quantity)	Color
4	M2 × 4 mm, flat-head, nylon-coated (2)	Black

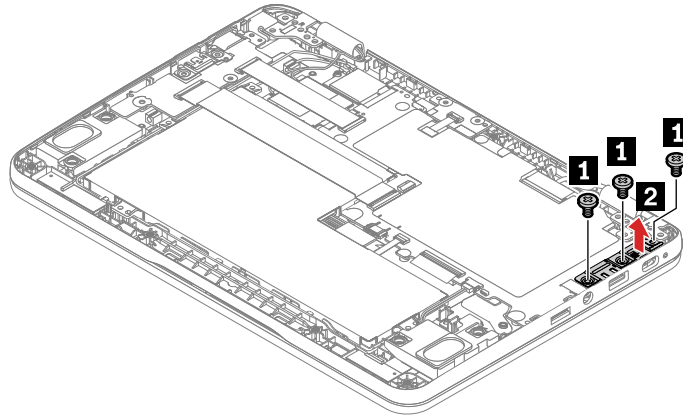
When installing: Ensure that the connectors are attached firmly.

1090 USB-C bracket

For access, remove these FRUs in order:

- “1010 Electronic pen / Pen dummy (for selected models of Lenovo 300e/500e Chromebook Gen 3)” on page 38
- “1020 Base cover assembly” on page 39

Removal steps of the USB-C bracket



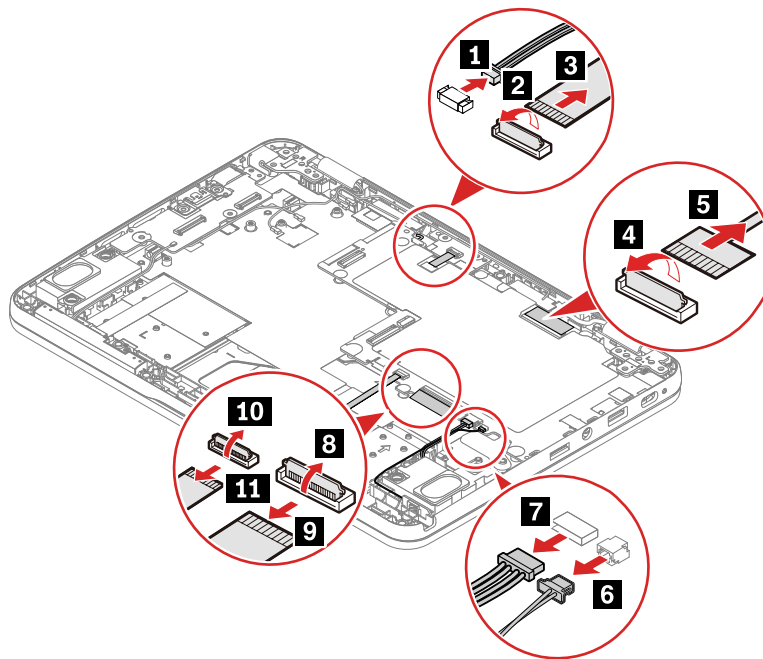
Step	Screw (quantity)	Color
1	M2 × 4 mm, flat-head, nylon-coated (3)	Black

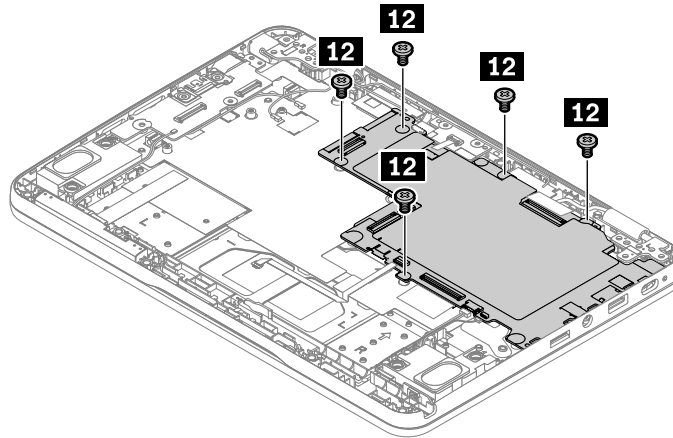
1100 System board

For access, remove these FRUs in order:

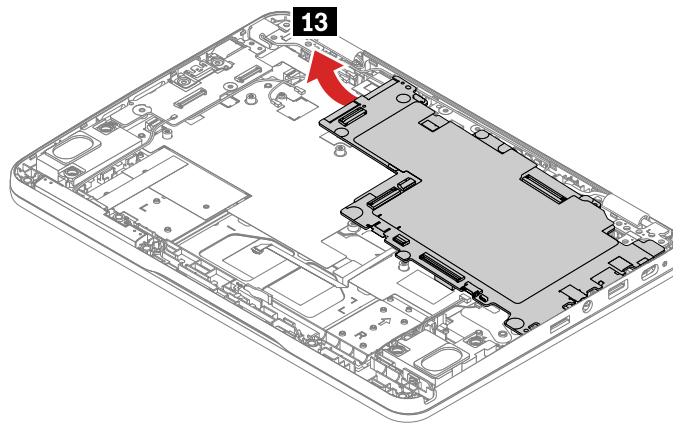
- “1010 Electronic pen / Pen dummy (for selected models of Lenovo 300e/500e Chromebook Gen 3)” on page 38
- “1020 Base cover assembly” on page 39
- “1030 Built-in battery” on page 40
- “1040 Wireless LAN card (for selected models)” on page 41
- “1050 Wireless WAN card (for selected models)” on page 42
- “1090 USB-C bracket” on page 46

Removal steps of the system board





Step	Screw (quantity)	Color
12	M2 × 4 mm, flat-head, nylon-coated (5)	Black



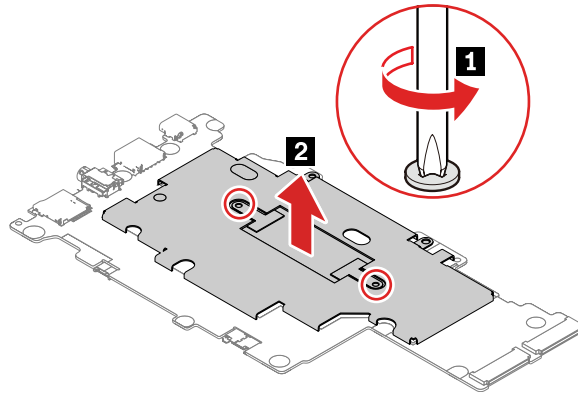
When installing: Ensure that the connectors are attached firmly.

1110 Heatsink

For access, remove these FRUs in order:

- “1010 Electronic pen / Pen dummy (for selected models of Lenovo 300e/500e Chromebook Gen 3)” on page 38
- “1020 Base cover assembly” on page 39
- “1030 Built-in battery” on page 40
- “1040 Wireless LAN card (for selected models)” on page 41
- “1050 Wireless WAN card (for selected models)” on page 42
- “1090 USB-C bracket” on page 46
- “1100 System board” on page 47

Removal steps of the heatsink

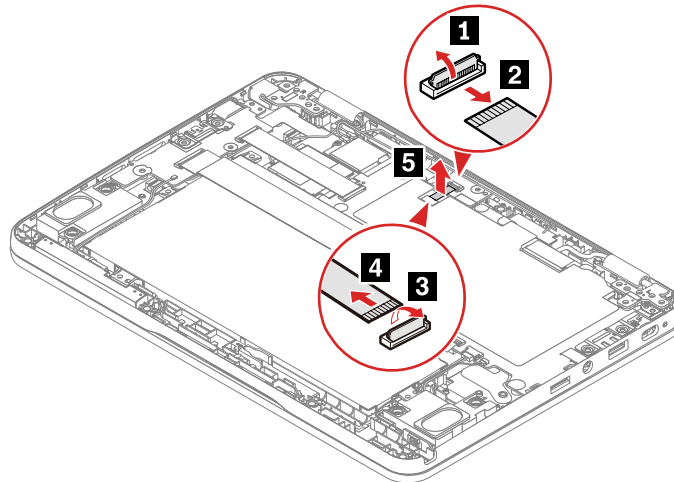


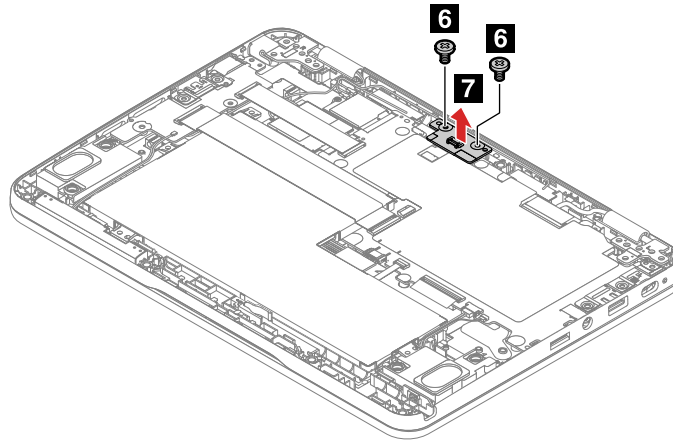
1120 Nano-SIM card cable and board (for selected models)

For access, remove these FRUs in order:

- “1010 Electronic pen / Pen dummy (for selected models of Lenovo 300e/500e Chromebook Gen 3)” on page 38
- “1020 Base cover assembly” on page 39
- “1040 Wireless LAN card (for selected models)” on page 41
- “1050 Wireless WAN card (for selected models)” on page 42
- “1090 USB-C bracket” on page 46
- “1100 System board” on page 47
- “1110 Heatsink” on page 48

Removal step of the nano-SIM card cable and board





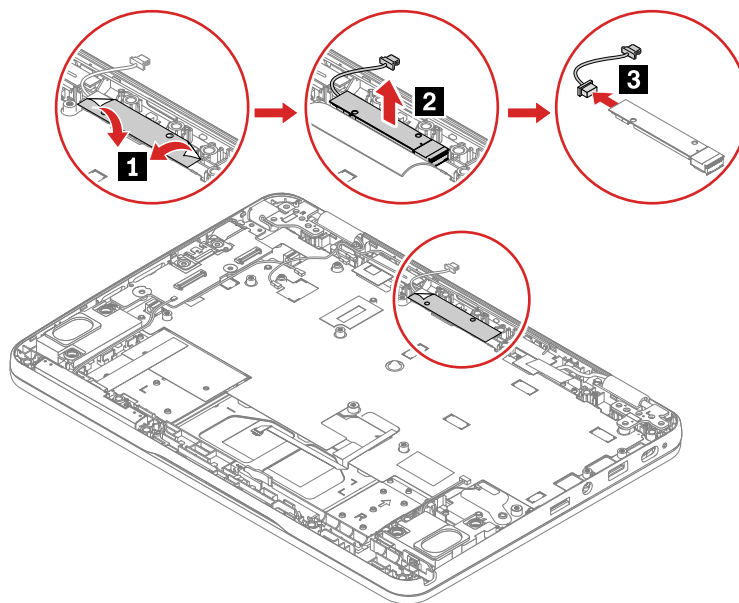
Step	Screw (quantity)	Color
6	M2 × 4 mm, flat-head, nylon-coated (2)	Black

1130 World-Facing camera (for selected models of Lenovo 300e/500e Chromebook Gen 3)

For access, remove these FRUs in order:

- “1010 Electronic pen / Pen dummy (for selected models of Lenovo 300e/500e Chromebook Gen 3)” on page 38
- “1020 Base cover assembly” on page 39
- “1040 Wireless LAN card (for selected models)” on page 41
- “1050 Wireless WAN card (for selected models)” on page 42
- “1090 USB-C bracket” on page 46
- “1100 System board” on page 47
- “1110 Heatsink” on page 48
- “1120 Nano-SIM card cable and board (for selected models)” on page 49

Removal steps of the World-Facing camera

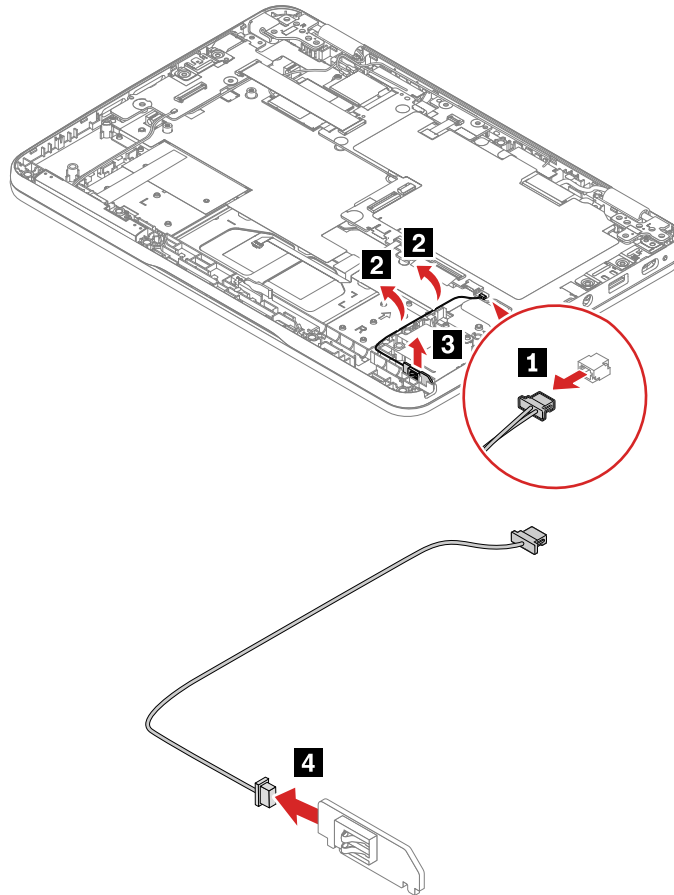


When installing: Ensure that the connector is attached firmly.

1140 Electronic pen board and cable

- “1010 Electronic pen / Pen dummy (for selected models of Lenovo 300e/500e Chromebook Gen 3)” on page 38
- “1020 Base cover assembly” on page 39
- “1030 Built-in battery” on page 40
- “1060 Speaker assembly” on page 43

Removal step of the electronic pen board and cable



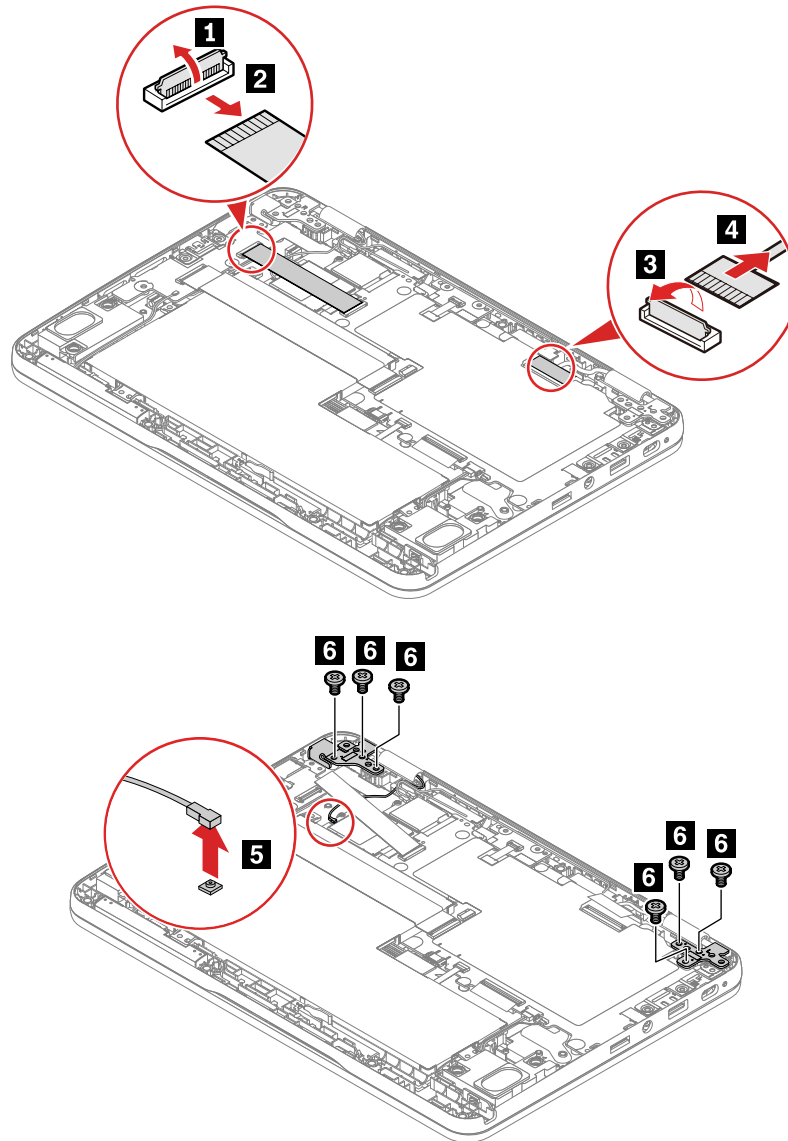
1150 Keyboard assembly

For access, remove these FRUs in order:

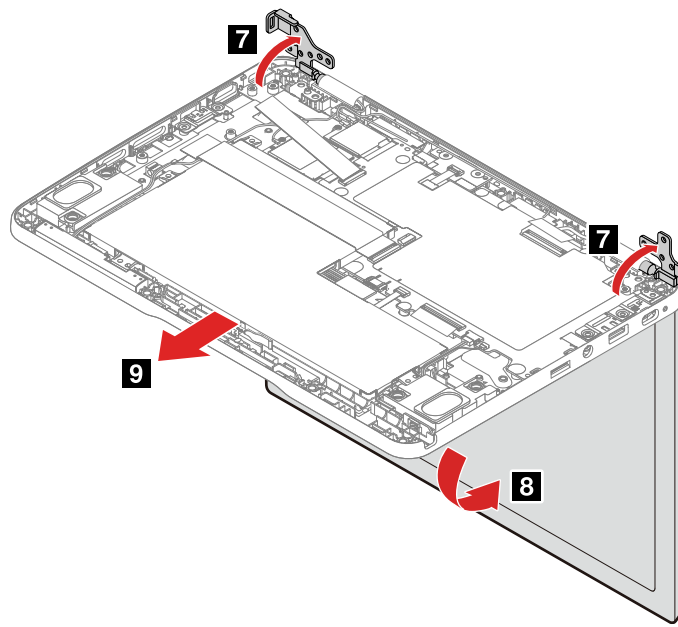
- “1010 Electronic pen / Pen dummy (for selected models of Lenovo 300e/500e Chromebook Gen 3)” on page 38
- “1020 Base cover assembly” on page 39
- “1030 Built-in battery” on page 40
- “1040 Wireless LAN card (for selected models)” on page 41
- “1050 Wireless WAN card (for selected models)” on page 42
- “1060 Speaker assembly” on page 43
- “1070 Daughter board bracket” on page 45
- “1080 Daughter board” on page 45
- “1090 USB-C bracket” on page 46
- “1100 System board” on page 47

- “1110 Heatsink” on page 48
- “1120 Nano-SIM card cable and board (for selected models)” on page 49
- “1130 World-Facing camera (for selected models of Lenovo 300e/500e Chromebook Gen 3)” on page 50
- “1140 Electronic pen board and cable” on page 51

Removal steps of the keyboard assembly



Step	Screw (quantity)	Color
6	M2.5 × 5 mm, big-head, nylon-coated (6)	Silver

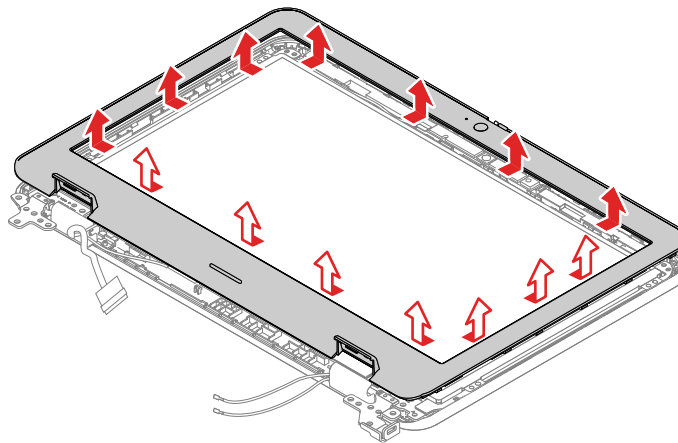


Disassemble the LCD module (for Lenovo 100e Chromebook Gen 3)

The LCD module as a whole is not a FRU. Instead, it contains FRUs as its components. Before disassembling the LCD module, make sure it has been detached from the keyboard assembly. Refer to “1150 Keyboard assembly” on page 51 for instructions.

2010 LCD bezel

Removal step of the LCD bezel



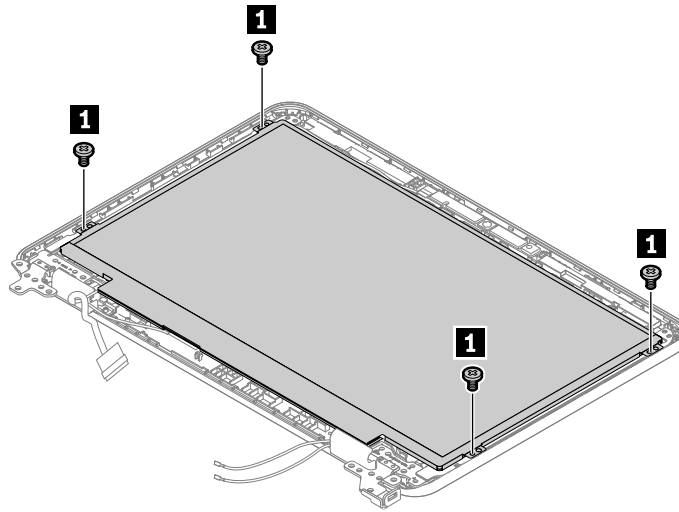
When installing: Ensure that all the latches are attached firmly.

2020 LCD panel

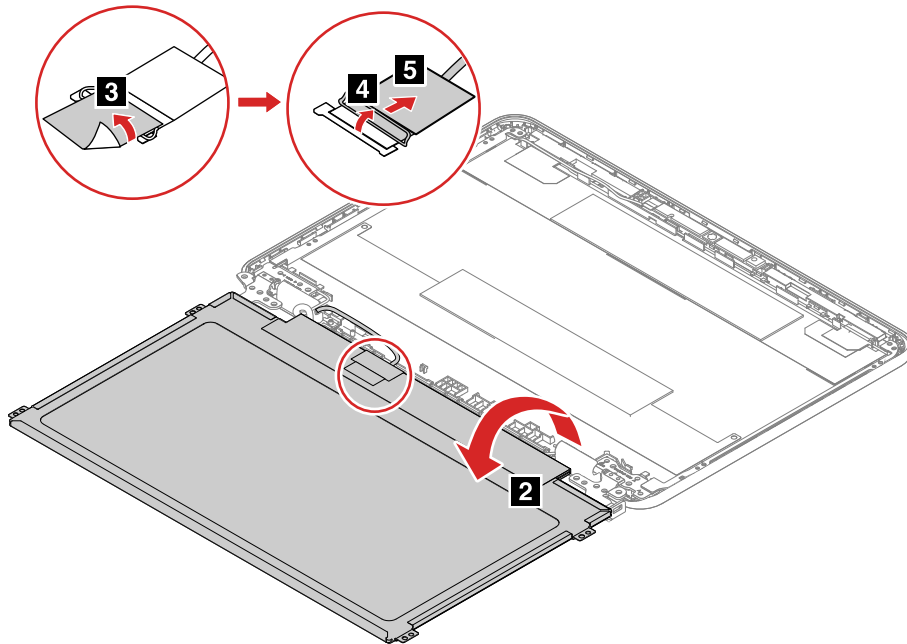
For access, remove this FRU:

- “2010 LCD bezel” on page 53

Removal steps of the LCD panel



Step	Screw (quantity)	Color
1	M2 × 3 mm, flat-head, nylon-coated (4)	Black



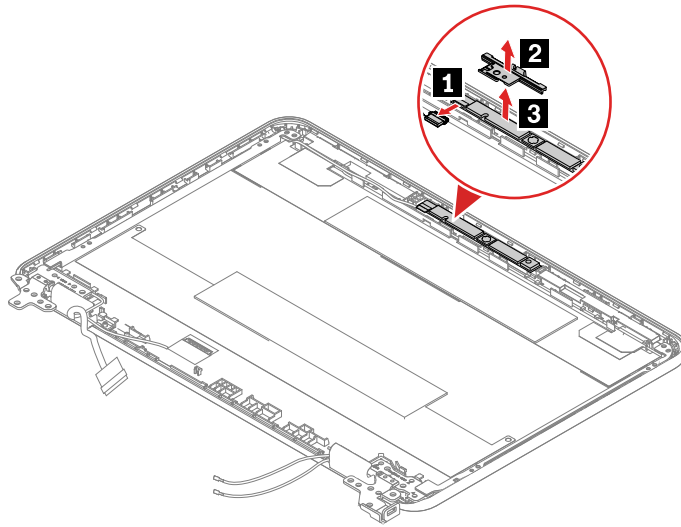
When installing: Ensure that the LCD connectors are attached firmly.

2030 Camera board and webcam privacy shutter

For access, remove these FRUs in order:

- “2010 LCD bezel” on page 53
- “2020 LCD panel” on page 53

Removal steps of the camera board and webcam privacy shutter



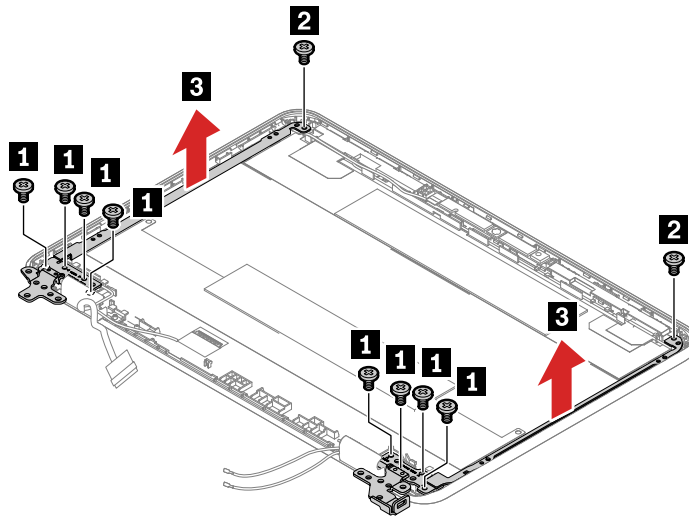
When installing: Ensure that the connector is attached firmly.

2040 LCD hinges

For access, remove these FRUs in order:

- “2010 LCD bezel” on page 53
- “2020 LCD panel” on page 53

Removal steps of the LCD hinges



Step	Screw (quantity)	Color
1	M2 × 3 mm, flat-head, nylon-coated (8)	Silver
2	M2 × 3 mm, flat-head, nylon-coated (2)	Black

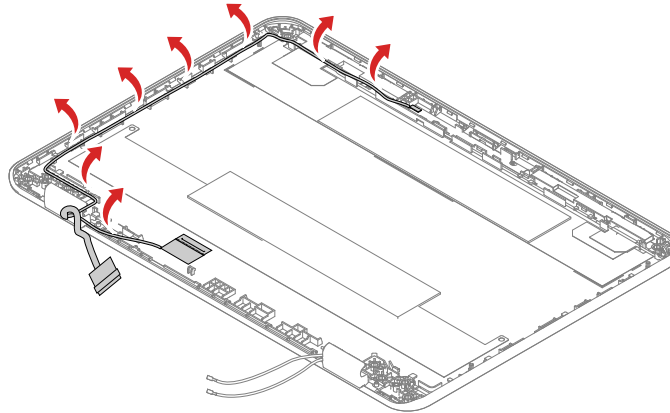
2050 Camera and LCD cable

For access, remove these FRUs in order:

- “2010 LCD bezel” on page 53

- “2020 LCD panel” on page 53
- “2030 Camera board and webcam privacy shutter” on page 54
- “2040 LCD hinges” on page 55

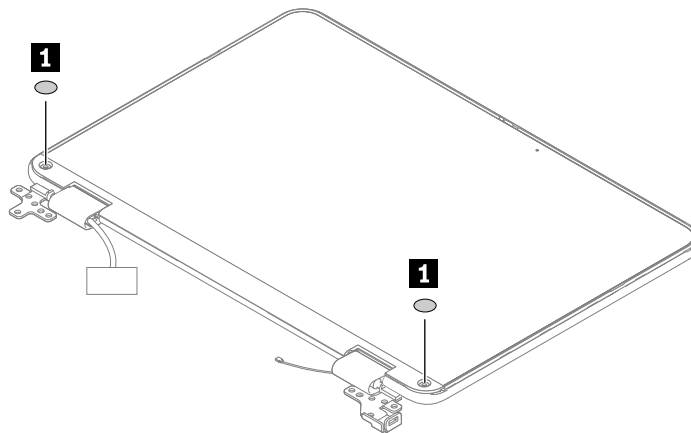
Removal steps of the camera and LCD cable

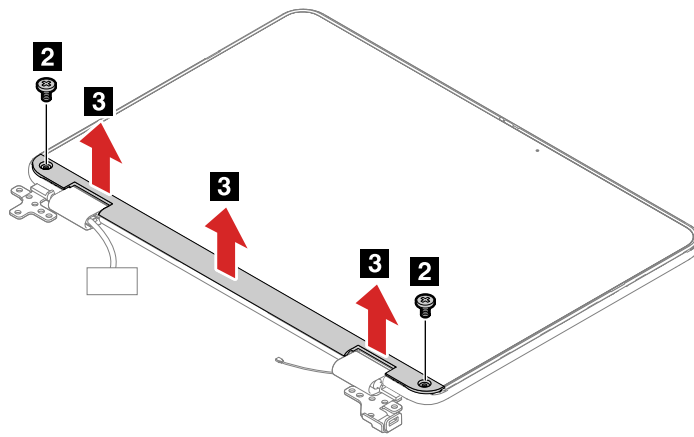


Disassemble the LCD module (for Lenovo 300e/500e Chromebook Gen 3)

The LCD module as a whole is not a FRU. Instead, it contains FRUs as its components. Before disassembling the LCD module, make sure it has been detached from the keyboard assembly. Refer to “1150 Keyboard assembly” on page 51 for instructions.

2010 Strip cover and rubber caps



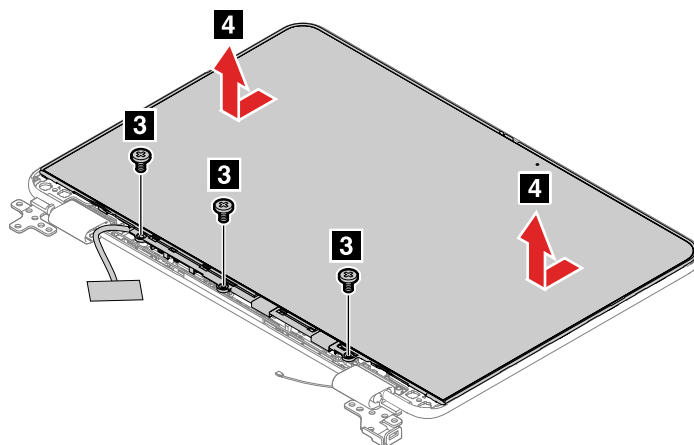
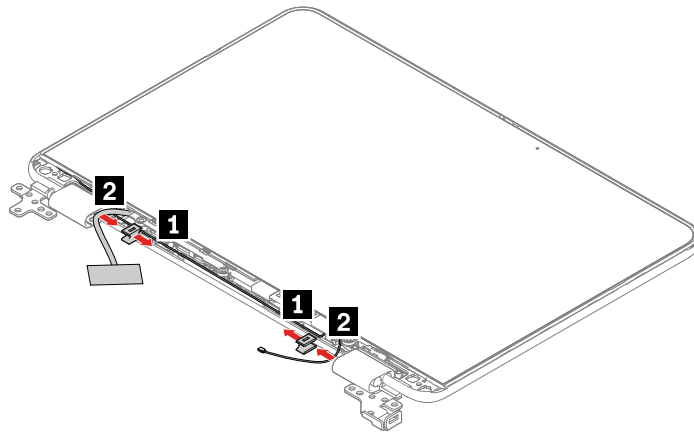


Step	Screw (quantity)	Color
2	M2 x 3 mm, flat-head, nylon-coated (2)	Black

2020 LCD panel

For access, remove this FRU:

- “2010 Strip cover and rubber caps” on page 56



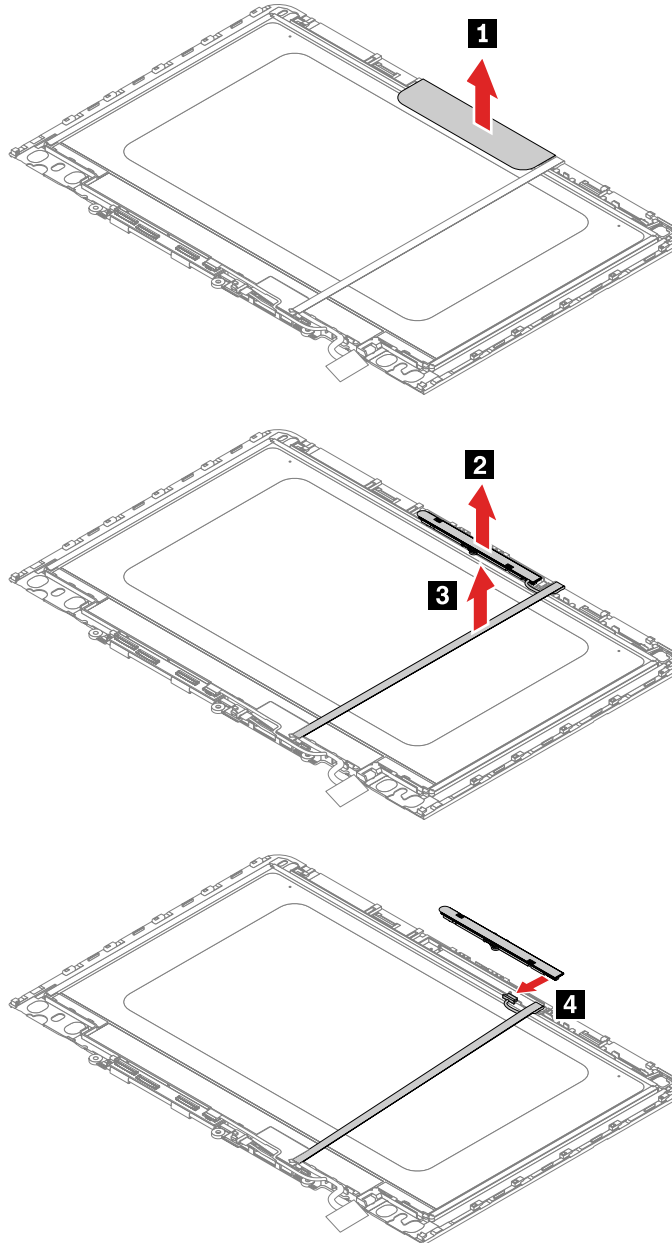
Step	Screw (quantity)	Color
3	M2 × 3 mm, flat-head, nylon-coated (3)	Black

2030 Camera board

For access, remove these FRUs in order:

- “2010 Strip cover and rubber caps” on page 56
- “2020 LCD panel” on page 57

Removal steps of the camera board

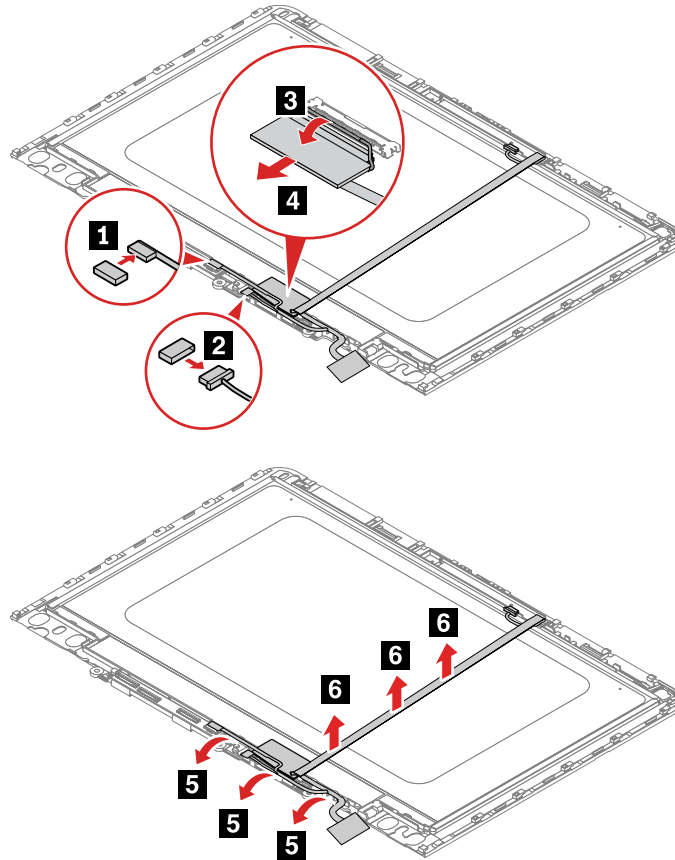


2040 LCD cable

For access, remove these FRUs in order:

- “2010 Strip cover and rubber caps” on page 56
- “2020 LCD panel” on page 57
- “2030 Camera board” on page 58

Removal steps of the LCD cable



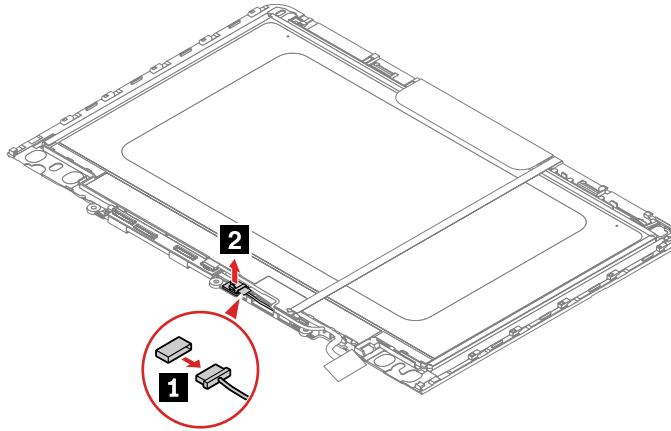
When installing: Ensure that the connectors are attached firmly.

2050 Sensor board

For access, remove these FRUs in order:

- “2010 Strip cover and rubber caps” on page 56
- “2020 LCD panel” on page 57
- “2030 Camera board” on page 58
- “2040 LCD cable” on page 58

Removal steps of the sensor board

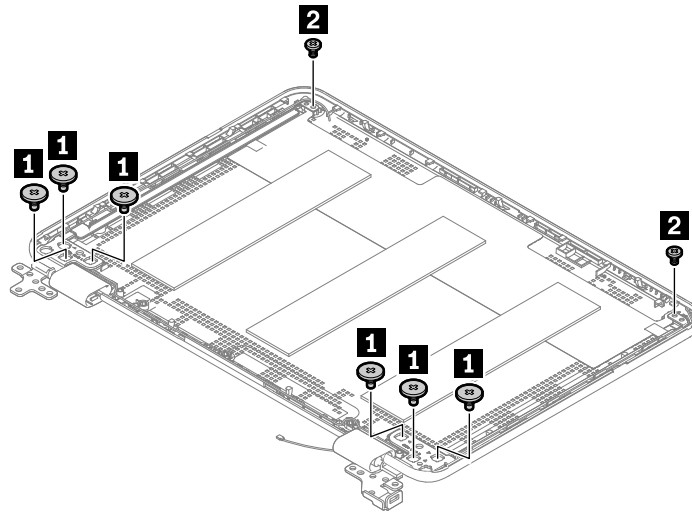


2060 LCD hinges

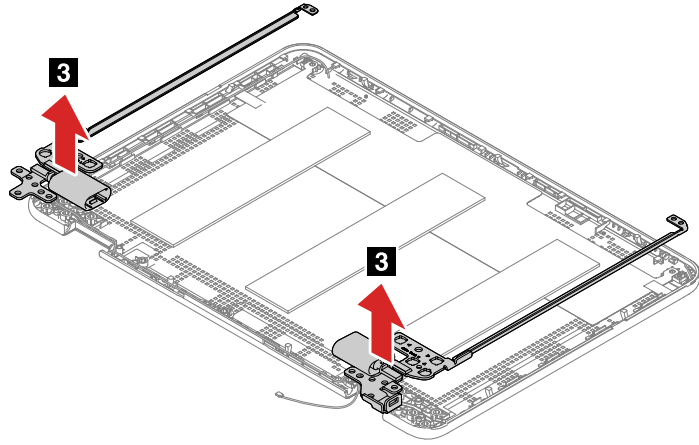
For access, remove these FRUs:

- “2010 Strip cover and rubber caps” on page 56
- “2020 LCD panel” on page 57
- “2030 Camera board” on page 58
- “2040 LCD cable” on page 58

Removal steps of the LCD hinges



Step	Screw (quantity)	Color
1	M2 × 2.5 mm, flat-head, nylon-coated (6)	Black
2	M2 × 3 mm, flat-head, nylon-coated (2)	Black



Appendix A. Controls, connectors, and indicators

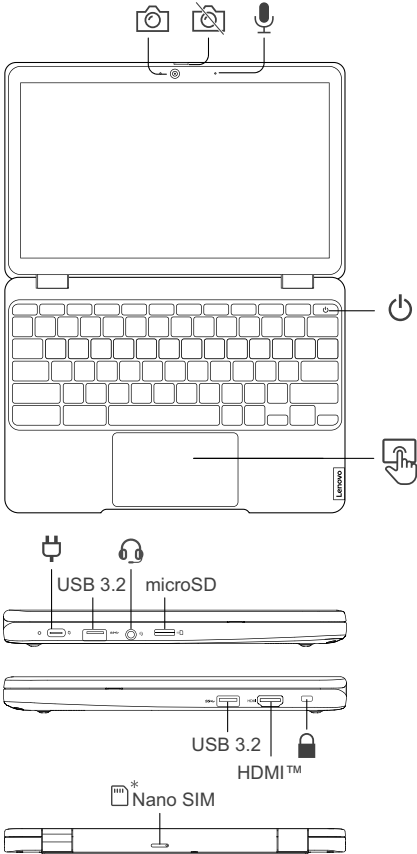


Figure 1. Lenovo 100e Chromebook Gen 3

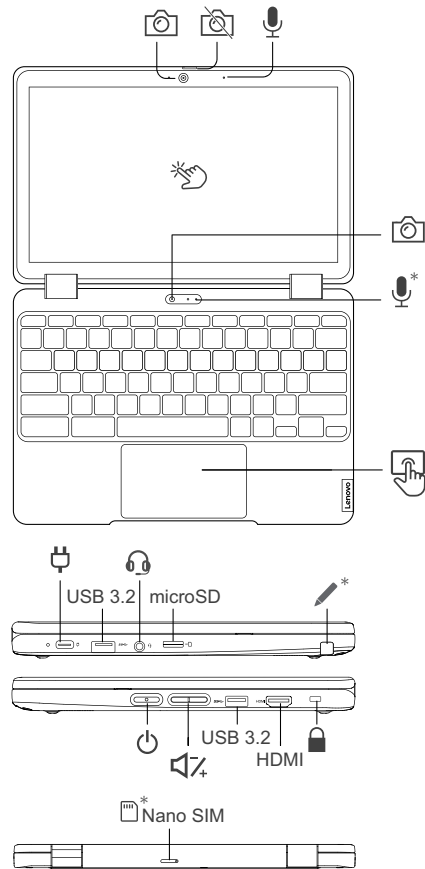














Figure 2. Lenovo 300e/500e Chromebook Gen 3

	Camera*		Webcam privacy shutter
	Microphone*		Power button
	Touch screen		Touchpad
	USB-C® (3.2 Gen 1) power connector		Audio connector
	Electronic pen*		Security-lock slot
	Volume buttons		Nano-SIM-card tray*

* for selected models

Appendix B. Notices

Lenovo may not offer the products, services, or features discussed in this document in all countries. Consult your local Lenovo representative for information on the products and services currently available in your area. Any reference to a Lenovo product, program, or service is not intended to state or imply that only that Lenovo product, program, or service may be used. Any functionally equivalent product, program, or service that does not infringe any Lenovo intellectual property right may be used instead. However, it is the user's responsibility to evaluate and verify the operation of any other product, program, or service.

Lenovo may have patents or pending patent applications covering subject matter described in this document. The furnishing of this document does not give you any license to these patents. You can send license inquiries, in writing, to:

*Lenovo (United States), Inc.
8001 Development Drive
Morrisville, NC 27560
U.S.A.
Attention: Lenovo Director of Licensing*

LENOVO PROVIDES THIS PUBLICATION "AS IS" WITHOUT WARRANTY OF ANY KIND, EITHER EXPRESS OR IMPLIED, INCLUDING, BUT NOT LIMITED TO, THE IMPLIED WARRANTIES OF NON-INFRINGEMENT, MERCHANTABILITY OR FITNESS FOR A PARTICULAR PURPOSE. Some jurisdictions do not allow disclaimer of express or implied warranties in certain transactions, therefore, this statement may not apply to you.

This information could include technical inaccuracies or typographical errors. Changes are periodically made to the information herein; these changes will be incorporated in new editions of the publication. Lenovo may make improvements and/or changes in the product(s) and/or the program(s) described in this publication at any time without notice.

The products described in this document are not intended for use in implantation or other life support applications where malfunction may result in injury or death to persons. The information contained in this document does not affect or change Lenovo product specifications or warranties. Nothing in this document shall operate as an express or implied license or indemnity under the intellectual property rights of Lenovo or third parties. All information contained in this document was obtained in specific environments and is presented as an illustration. The result obtained in other operating environments may vary.

Lenovo may use or distribute any of the information you supply in any way it believes appropriate without incurring any obligation to you.

Any references in this publication to non-Lenovo Web sites are provided for convenience only and do not in any manner serve as an endorsement of those Web sites. The materials at those Web sites are not part of the materials for this Lenovo product, and use of those Web sites is at your own risk.

Any performance data contained herein was determined in a controlled environment. Therefore, the result obtained in other operating environments may vary significantly. Some measurements may have been made on development-level systems and there is no guarantee that these measurements will be the same on generally available systems. Furthermore, some measurements may have been estimated through extrapolation. Actual results may vary. Users of this document should verify the applicable data for their specific environment.

Trademarks

LENOVO and the LENOVO logo are trademarks of Lenovo. The terms HDMI is the trademark of HDMI Licensing LLC in the United States and other countries. USB-C is a trademark of USB Implementers Forum. All other trademarks are the property of their respective owners. © 2022 Lenovo.

The image shows the Lenovo logo, which consists of the word "Lenovo" in a white, sans-serif font, centered within a solid black rectangular background.

Part Number: SP40W87730

Printed in China

(1P) P/N: SP40W87730

