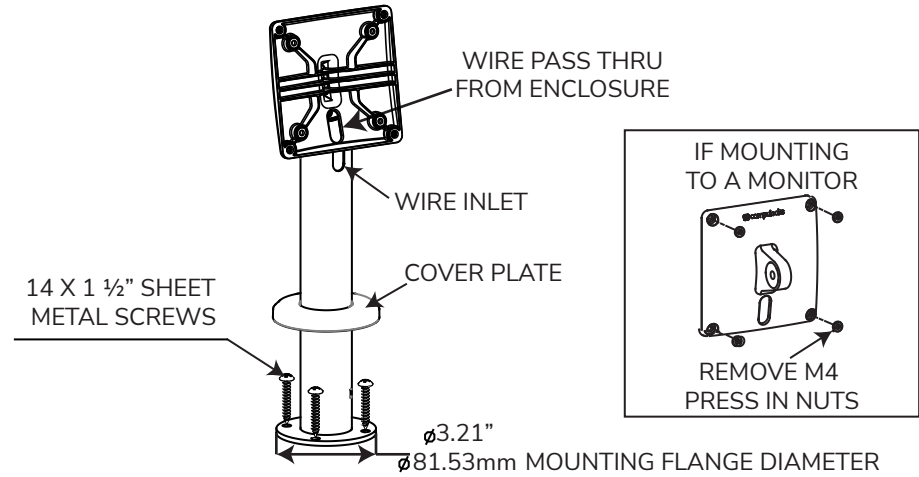
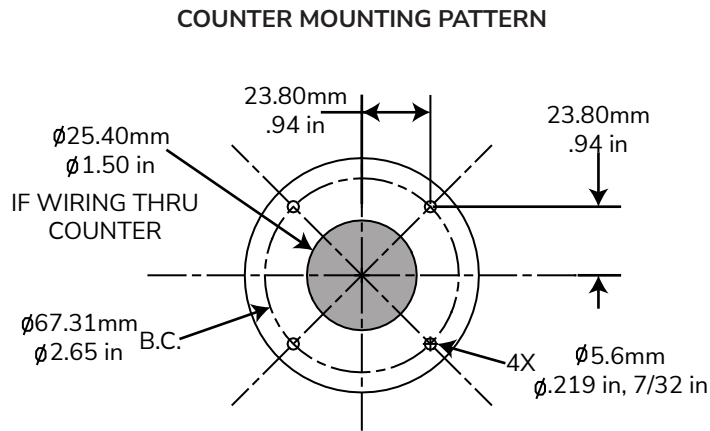


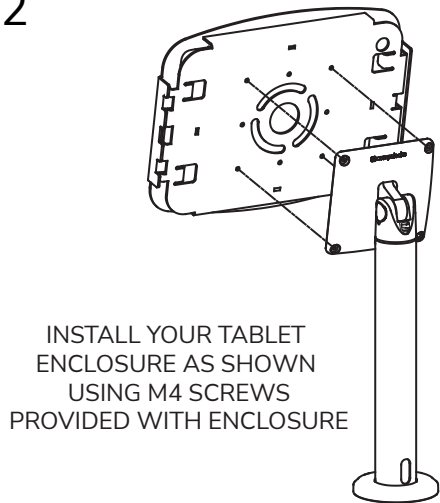
Assembly Instructions

Installation On Counter Top

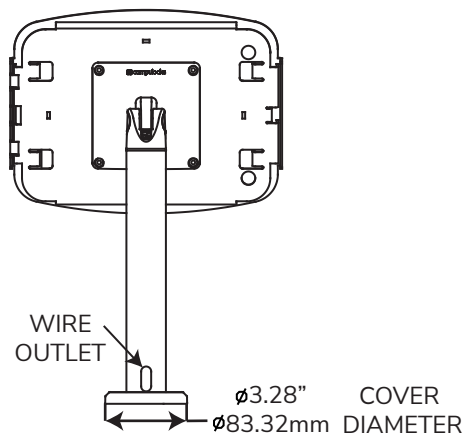
1



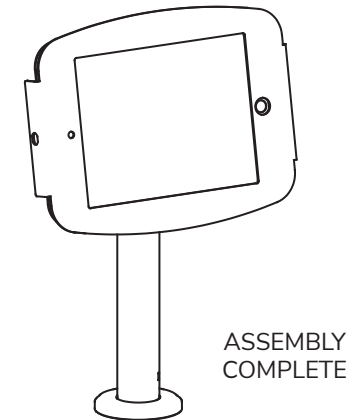
2



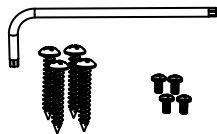
3



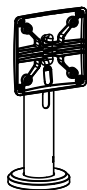
4



IN THE BOX



Hardware Kit



Fixed Pole Stand

ACCESSORIES



Adhesive Base



Single Add On Bracket

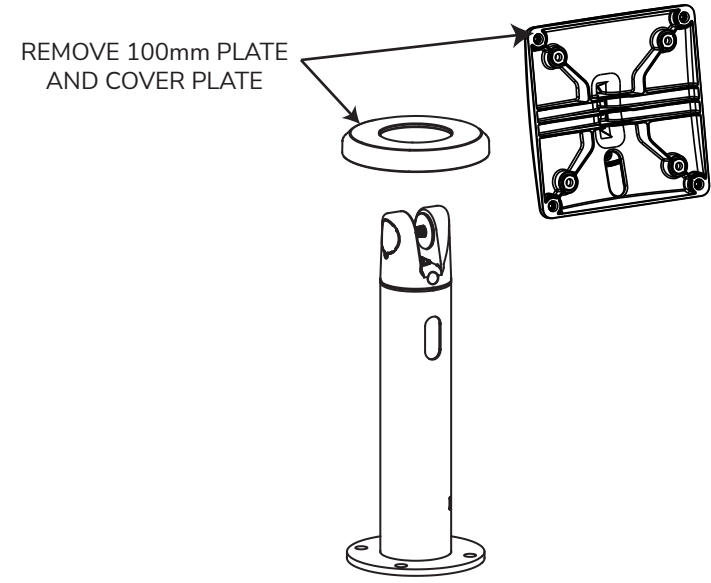
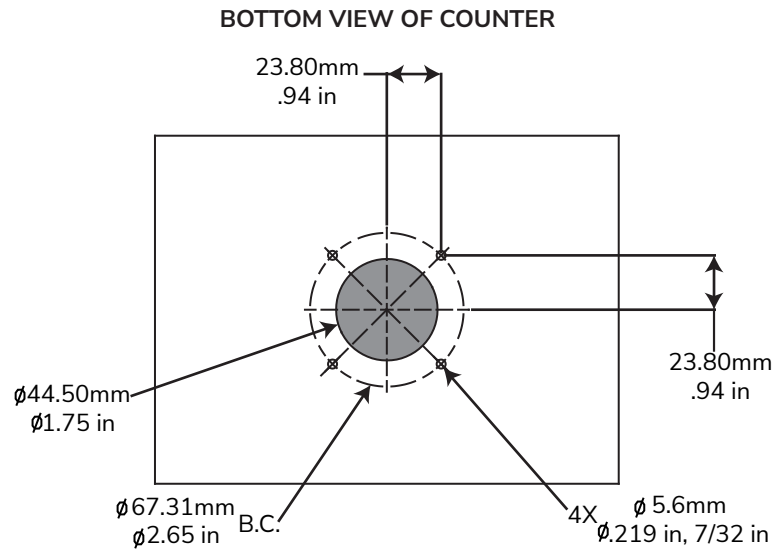


Free Standing Base

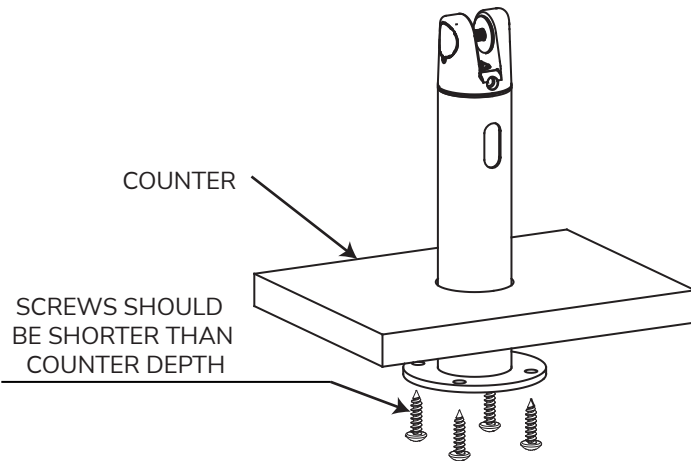
Assembly Instructions

Installation Below Counter

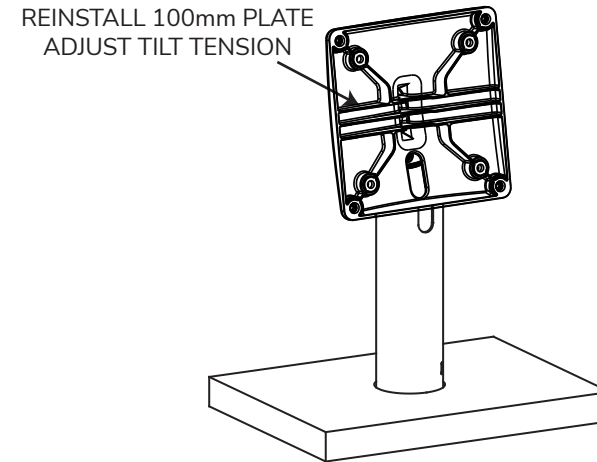
1



2



3



Space

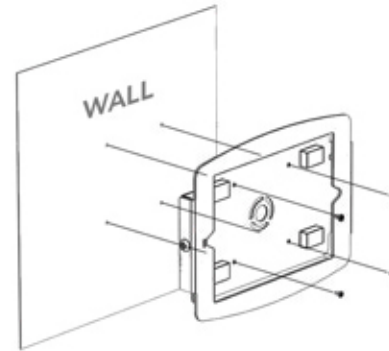
Assembly Instructions

1

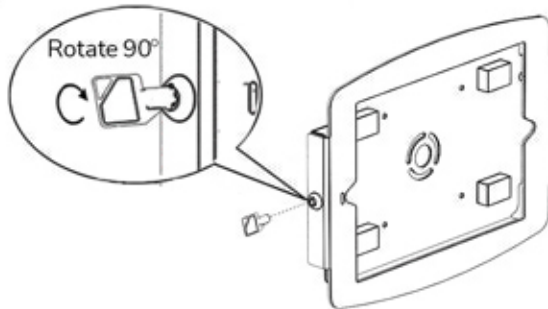


FOLLOW STAND
MOUNTING INSTRUCTIONS

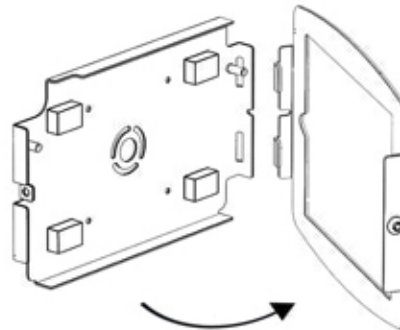
or



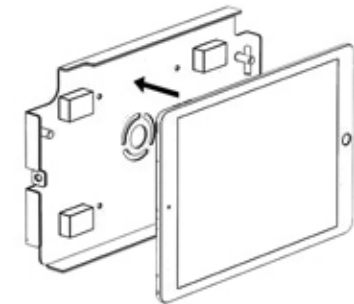
2



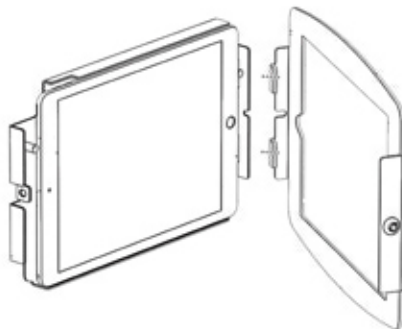
3



4



5



6



7

