

USER'S MANUAL
BATTERY POWERED SMOKE ALARM

FAMILY GARD®

Model FG250A

Conforms to **ULC S531**
Model FG250A

IMPORTANT! PLEASE READ CAREFULLY AND SAVE.
This user's manual contains important information about your Smoke Alarm's operation. If you are installing this Smoke Alarm for use by others, you must leave this manual—or a copy of it—with the end user.

M08-0199-012 A 08/13 Printed in Mexico

INTRODUCTION

Thank you for choosing BRK Brands, Inc. for your Smoke Alarm needs. You have purchased a state-of-the-art Smoke Alarm designed to provide you with early warning of a fire. **Key features include:**

Silence Feature (FG250A Only) - Silences nuisance alarms.
Hinged Cover Design - Allows for fast, easy installation and battery replacement.

Lighted Power and Alarm Indicator - LED reassures that the battery is properly connected and is supplying power. Provides a visual indication of what unit initiated the alarm.
Tamper Resistant Locking Pin - Locks alarm cover to prevent removal of battery. Perfect for apartment, dormitory or hotel applications.
RV Approved - Approved for use in Recreational Vehicles.
Test/Silence Button - One touch button combines both features.
Low Battery Indicator - Beeping signal warns when battery needs replacing.

© 2013 BRK Brands, Inc. All rights reserved. Distributed by BRK Brands, Inc. 3901 Liberty Street Road, Aurora, IL 60504-8122
Consumer Affairs: (800) 323-9005 • www.brkelectronics.com • www.firstalert.ca

All Family Gard® Smoke Alarms conform to regulatory requirements, including ULC S531 and are designed to detect particles of combustion. Smoke particles of varying number and size are produced in all fires.

Ionization technology is generally more sensitive than photoelectric technology at detecting small particles, which tend to be produced in greater amounts by flaming fires, which consume combustible materials rapidly and spread quickly. Sources of these fires may include paper burning in a wastebasket, or a grease fire in the kitchen.

Photoelectric technology is generally more sensitive than ionization technology at detecting large particles, which tend to be produced in greater amounts by smoldering fires, which may smolder for hours before bursting into flame. Sources of these fires may include cigarettes burning in couches or bedding.

For maximum protection, use both types of Smoke Alarms on each level and in every bedroom of your home.

FIRE SAFETY TIPS

Follow safety rules and prevent hazardous situations: 1) Use smoking materials properly. Never smoke in bed. 2) Keep matches or lighters away from children. 3) Store flammable materials in proper containers. 4) Keep electrical appliances in good condition and don't overload electrical circuits. 5) Keep stoves, barbecue grills, fireplaces and chimneys grease- and debris-free. 6) Never leave anything cooking on the stove unattended. 7) Keep portable heaters and open flames, like candles, away from flammable materials. 8) Don't let rubbish accumulate.

Keep alarms clean, and test them weekly. Replace alarms immediately if they are not working properly. Smoke Alarms that do not work cannot alert you to a fire. Keep at least one working fire extinguisher on every floor, and an additional one in the kitchen. Have fire escape ladders or other reliable means of escape from an upper floor in case stairs are blocked.

BEFORE YOU INSTALL THIS SMOKE ALARM

IMPORTANT! Read "Recommended Locations for Smoke Alarms" and "Locations to Avoid for Smoke Alarms" before beginning. This unit monitors the air, and when smoke reaches its sensing chamber, it alarms. It can give you more time to escape before fire spreads. This unit can ONLY give an early warning of developing fires if it is installed, maintained and located where smoke can reach it, and where all residents can hear it, as described in this manual. This unit will not sense gas, heat, or flame. It cannot prevent or extinguish fires.

Understand The Different Type of Smoke Alarms
Battery powered or electrical? Different Smoke Alarms provide different types of protection. See "About Smoke Alarms" for details.

Know Where To Install Your Smoke Alarms
Fire Safety Professionals recommend at least one Smoke Alarm on every level of your home, in every bedroom, and in every bedroom hallway or separate sleeping area. See "Recommended Locations For Smoke Alarms" and "Locations To Avoid For Smoke Alarms" for details.

Know What Smoke Alarms Can and Can't Do
A Smoke Alarm can help alert you to fire, giving you precious time to escape. It can only sound an alarm once smoke reaches the sensor. See "Limitations of Smoke Alarms" for details.

Check Your Local Building Codes
This Smoke Alarm is designed to be used in a typical single-family home. It alone will not meet requirements for boarding houses, apartment buildings, hotels or motels. Smoke alarms should be installed in accordance with National Building Code of Canada (NBCC), the National Fire Code of Canada, CAN/ULC S553 and local requirements.

⚠️ WARNING!

- This unit will not alert hearing impaired residents. It is recommended that you install special units which use devices like flashing strobe lights to alert hearing impaired residents.
- Do not connect this unit to any other alarm or auxiliary device. It is a single-station unit that cannot be linked to other devices. Connecting anything else to this unit may prevent it from working properly.
- Unit will not operate without battery power. The Smoke Alarm cannot work until you install the battery in the correct position (Match "+" to "+" and "-" to "-").
- This Smoke Alarm has a battery guard which prevents it from closing unless a battery is installed. This warns you the unit will not operate without a battery.

⚠️ CAUTION!

- Do not install this unit over an electrical junction box. Air currents around junction boxes can prevent smoke from reaching the sensing chambers and prevent the unit from alarming. Only AC powered units are intended for installation over junction boxes.
- Do not stand too close to the unit when the alarm is sounding. It is loud to wake you in an emergency. Exposure to the horn at close range may harm your hearing.
- Do not paint over the unit. Paint may clog the openings to the sensing chambers and prevent the unit from operating properly.

HOW TO INSTALL THIS SMOKE ALARM

THE PARTS OF THIS SMOKE ALARM

- "OPEN HERE" tab
- Cover hinge
- Test button
- Power/alarm indicator

FOLLOW THESE SIMPLE STEPS!

- Hold base firmly and pull up on cover tab marked "OPEN HERE." This will open the hinged cover. The cover may unsnap from the base if it's opened too far. This will not damage the unit—the cover hinge snaps back into place easily.
- Hold the Smoke Alarm base against the ceiling (or wall) and make a mark at the center of each of the mounting slots with a pencil.
- Put the unit where it won't get covered with dust when you drill the mounting holes.
- Using a 5 mm (3/16") drill bit, drill a hole through each pencil mark.
- Insert the plastic screw anchors (in the plastic bag with screws) into the holes. Tap the screw anchors gently with a hammer, if necessary, until they are flush with the ceiling or wall.
- Tighten the screws (provided) into the screw anchors, then loosen them two turns.
- Fit the Smoke Alarm over the screw heads as shown. Close cover.
- If the Smoke Alarm cover does not line up the way you want it, rotate the base and re-tighten the screws.
- Activate the battery. With the cover open, remove and reinstall the battery so the terminals on the battery match the terminals on the Smoke Alarm. Match "+" to "+" and "-" to "-." Push the battery in until it snaps in securely and cannot be shaken loose.
- If the battery is not snapped in completely, the unit cannot receive battery power. The Smoke Alarm may beep briefly when you install the battery—this is normal.
- Once the battery is installed, the red power indicator light (behind the test button) will flash once a minute to show you the Smoke Alarm is working.
- Close the cover all the way.
- Test the Smoke Alarm. See "Weekly Testing."

COVER OPEN

- "Open Here"
- Test button or Test/Silence button (FG250A only)
- Smoke alarm base
- "No Battery" tab
- Mounting slots
- Install 9V battery here
- Locking pin slot

This unit is designed to be mounted on the ceiling, or on the wall if necessary.

Tools you will need:

- Pencil
- Hammer
- Drill with 5 mm (3/16") drill bit
- Standard flathead screwdriver

LOCKING FEATURE

To lock/unlock the cover to the base:

- Using needle-nose pliers or a utility knife, detach locking pin from back of alarm base.
- Insert locking pin into the slot located on the front of the alarm as shown in the diagram.
- Remove pin to unlock and replace battery.

Insert Locking Pin

WEEKLY TESTING

⚠️ WARNING!

- NEVER use an open flame of any kind to test this unit. You might accidentally damage or set fire to the unit or to your home. The built-in test switch tests the unit's operation as required by ULC Standard S531.**
- If the Alarm ever fails to test properly, replace it immediately. Products under warranty may be returned to the manufacturer for replacement. See "Limited Warranty" for details.

⚠️ CAUTION!

DO NOT stand close to the alarm when the horn is sounding. Exposure at close range may be harmful to your hearing. When testing, step away when horn starts sounding.

It is important to test this unit every week to make sure it is working properly. Using the test button is the recommended way to test this Smoke Alarm. Press and hold the test button on the cover of the unit until the alarm sounds (the unit may continue to alarm for a few seconds after you release the button). If it does not alarm, make sure the unit is receiving power and test it again. If it still does not alarm, replace it immediately. During testing you will hear a loud, 3 beeps, pause, 3 beeps and the Red LED will flash rapidly.

REGULAR MAINTENANCE

This unit has been designed to be as maintenance free as possible, but there are a few simple things you must do to keep it working properly.

⚠️ WARNING!

Use only the replacement batteries listed below. The unit may not operate properly with other batteries. Never use rechargeable batteries since they may not provide a constant charge.

- Test it at least once a week.
- Clean the Smoke Alarm at least once a month; gently vacuum the outside of the Smoke Alarm using your household vacuum's soft brush attachment. Test the Smoke Alarm. Never use water, cleaners or solvents since they may damage the unit.
- If the Smoke Alarm becomes contaminated by excessive dirt, dust and/or grime, and cannot be cleaned to avoid unwanted alarms, replace the unit immediately.
- Relocate the unit if it sounds frequent unwanted alarms. See "Locations to Avoid for Smoke Alarms" for details.
- When the battery becomes weak, the Smoke Alarm unit will "chirp" about once a minute (the low battery warning). This low battery warning should last 7 days, but you should replace the battery immediately to continue your protection. **Note:** If locking pin is engaged see "Locking Feature" section for unlocking instructions.

Choosing a replacement battery:

Your Smoke Alarm requires one standard 9V battery. The following batteries are acceptable as replacements: Duracell #MN1604, (Ultra) #MX1604; Eveready (Energizer) #522. You may also use a Lithium battery like the Ultralife U9VL-J, U9VL-J-P for longer service life between battery changes. **These batteries are available at many local retail stores.**

IMPORTANT!

Actual service life depends on the Smoke Alarm and the environment in which it is installed. All the batteries specified above are acceptable replacement batteries for this unit. Regardless of the manufacturer's suggested battery life, you MUST replace the battery immediately once the unit starts "chirping" (the "low battery warning").

IF THIS SMOKE ALARM SOUNDS

RESPONDING TO AN ALARM

During an alarm, you will hear a loud, 3 beeps, pause, 3 beeps and the Red LED will flash rapidly.

⚠️ WARNING!

- If the unit alarms and you are not testing the unit, it is warning you of a potentially dangerous situation that requires your immediate attention. **NEVER ignore any alarm. Ignoring the alarm may result in injury or death.**
- Never remove the batteries from a battery operated Smoke Alarm to stop an unwanted alarm (caused by cooking smoke, etc.). Removing batteries disables the alarm so it cannot sense smoke, and removes your protection. Instead open a window or fan the smoke away from the unit. The alarm will reset automatically.
- If the unit alarms get everyone out of the house immediately.

WHAT TO DO IN CASE OF FIRE

- Don't panic; stay calm. Follow your family escape plan.
- Get out of the house as quickly as possible. Don't stop to get dressed or collect anything.
- Feel doors with the back of your hand before opening them. If a door is cool, open it slowly. Don't open a hot door. Keep doors and windows closed, unless you must escape through them.
- Cover your nose and mouth with a cloth (preferably damp). Take short, shallow breaths.
- Meet at your planned meeting place outside your home, and do a head count to make sure everybody got out safely.
- Call the Fire Department as soon as possible from outside. Give your address, then your name.
- Never go back inside a burning building for any reason.
- Contact your Fire Department for ideas on making your home safer.

⚠️ WARNING!

Alarms have various limitations. See "Limitations of Smoke Alarms" for details.

IF YOU SUSPECT A PROBLEM

Smoke Alarms may not operate properly because of dead, missing or weak batteries, a build-up of dirt, dust or grease on the Smoke Alarm cover, or installation in an improper location. Clean the Smoke Alarm as described in "Regular Maintenance," and install a fresh battery, then test the Smoke Alarm again. If it fails to test properly when you use the test button, or if the problem persists, replace the Smoke Alarm immediately.

- If you hear a "chirp" once a minute, replace the battery.
- If you experience frequent non-emergency alarms (like those caused by cooking smoke), try relocating the Smoke Alarm.
- If the alarm sounds when no smoke is visible, try cleaning or relocating the Smoke Alarm. The cover may be dirty.
- If the alarm does not sound during testing, try installing a new battery, and make sure it is snapped in securely.

Do not try fixing the alarm yourself- this will void your warranty!

If the Smoke Alarm is still not operating properly, and it is still under warranty, please see "How to Obtain Warranty Service" below.

Please dispose of or recycle used batteries properly, following any local regulations. Consult your local waste management authority or recycling organization to find an electronics recycling facility in your area. **DO NOT DISPOSE OF BATTERIES IN FIRE. BATTERIES MAY EXPLODE OR LEAK**

Keep battery out of reach of children. In the event a battery is swallowed, immediately contact your poison control center, your physician, or the National Battery Ingestion hotline at 1-416-813-5900 as serious injury may occur.

Always use the exact batteries specified by this User's Manual. DO NOT use rechargeable batteries.

For products requiring multiple batteries, replace all batteries of a set at the same time. Do Not Mix Old and New Batteries.

Clean the battery contacts and also those of the device prior to battery installation.

Install batteries correctly with regard to polarity (+ and -).

RECOMMENDED LOCATIONS FOR SMOKE ALARMS

Installing Smoke Alarms in Single-Family Residences

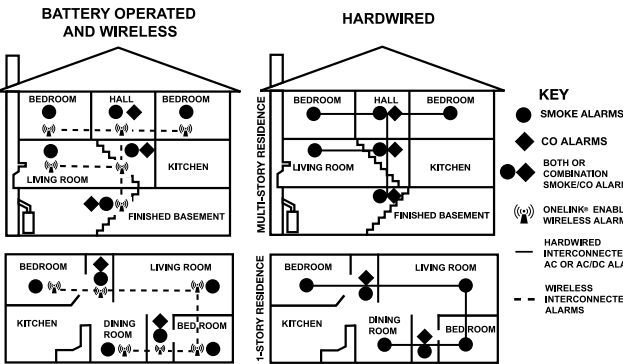
The National Fire Protection Association (NFPA), recommends one Smoke Alarm on every floor, in every sleeping area, and in every bedroom. In new construction, the Smoke Alarms must be AC powered and interconnected. See "Agency Placement Recommendations" for details. For additional coverage, it is recommended that you install a Smoke Alarm in all rooms, halls, storage areas, finished attics, and basements, where temperatures normally remain between 4.4° C (40° F) and 38.0° C (100° F). Make sure no door or other obstruction could keep smoke from reaching the alarms.

More specifically, install Smoke Alarms:

- On every level of your home, including finished attics and basements.
- Inside every bedroom, especially if people sleep with the door partly or completely closed.
- In the hall near every sleeping area. If your home has multiple sleeping areas, install a unit in each. If a hall is more than 12 meters long (40 feet), install a unit at each end.
- At the top of the first-to-second floor stairway, and at bottom of the basement stairway.

IMPORTANT!

Specific requirements for Smoke Alarm installation vary from state to state and from region to region. Check with your local Fire Department for current requirements in your area. **It is recommended AC or AC/DC units be interconnected for added protection.**



INSTALLING SMOKE ALARMS IN MOBILE HOMES & RVs

Test units used in RVs after the vehicle has been in storage, before every trip, and once a week while in use. Failure to test units used in RVs as described may remove your protection.

LOCATIONS TO AVOID FOR SMOKE ALARMS

For best performance, AVOID installing Smoke Alarms in these areas:

- Where combustion particles are produced. Combustion particles form when something burns. Areas to avoid include poorly ventilated kitchens, garages, and furnace rooms. Keep units at least 6 meters (20 feet) from the sources of combustion particles (stove, furnace, water heater, space heater) if possible. In areas where a 6-meter (20-foot) distance is not possible – in modular, mobile, or smaller homes, for example – it is recommended the Smoke Alarm be placed as far from these fuel-burning sources as possible. The placement recommendations are intended to keep these Alarms at a reasonable distance from a fuel-burning source, and thus reduce "unwanted" alarms. Unwanted alarms can occur if a Smoke Alarm is placed directly next to a fuel-burning source. Ventilate these areas as much as possible.
- In air streams near kitchens. Air currents can draw cooking smoke into the sensing chamber of a Smoke Alarm near the kitchen.
- In very damp, humid or steamy areas, or directly near bathrooms with showers. Keep units at least 3 meters (10 feet) away from showers, saunas, dishwashers, etc.
- Where the temperatures are regularly below 4.4° C (40° F) or above 38.0° C (100° F), including unheated buildings, outdoor rooms, porches, or unfinished attics or basements.
- In very dusty, dirty, or greasy areas. Do not install a Smoke Alarm directly over the stove or range. Keep laundry room Smoke Alarms free of dust or lint.
- Near fresh air vents, ceiling fans, or in very drafty areas. Drafts can blow smoke away from the unit, preventing it from reaching the sensing chamber.
- In insect infested areas. Insects can clog openings to the sensing chamber and cause unwanted alarms.
- Less than 305mm (12 inches) away from fluorescent lights. Electrical "noise" can interfere with the sensor.
- In "dead air" spaces. "Dead air" spaces may prevent smoke from reaching the Smoke Alarm.

Avoiding Dead Air Spaces

"Dead air" spaces may prevent smoke from reaching the Smoke Alarm. To avoid dead air spaces, follow the installation recommendations below. On ceilings, install Smoke Alarms as close to the center of the ceiling as possible. If this is not possible, install the Smoke Alarm at least 102 mm (4 inches) from the wall or corner.

For wall mounting (if allowed by building codes), the top edge of Smoke Alarms should be placed between 102 mm (4 inches) and 305 mm (12 inches) from the wall/ceiling line, below typical "dead air" spaces.

On a peaked, gabled, or cathedral ceiling, install the first Smoke Alarm within 0.9 meters (3 feet) of the peak of the ceiling, measured horizontally. Additional Smoke Alarms may be required depending on the length, angle, etc. of the ceiling's slope. Refer to NFPA 72 for details on requirements for sloped or peaked ceilings.

ABOUT SMOKE ALARMS

Battery (DC) operated Smoke Alarms: Provide protection even when electricity fails, provided the batteries are fresh and correctly installed. Units are easy to install, and do not require professional installation. However, they do not provide interconnected functionality.

AC powered Smoke Alarms: Can be interconnected so if one unit senses smoke, all units alarm. They do not operate if electricity fails. **AC with battery (DC) back-up:** will operate if electricity fails, provided the batteries are fresh and correctly installed. AC and AC/DC units must be installed by a qualified electrician.

Wireless Interconnected Alarms: Offer the same interconnected functionality as with hardwired alarms, without wires. Units are easy to install and do not require professional installation. They provide protection even when electricity fails, provided the batteries are fresh and correctly installed.

Smoke Alarms for Solar or Wind Energy users and battery backup power systems: AC powered Smoke Alarms should only be operated with true or pure sine wave inverters. Operating this Smoke Alarm with most battery-powered UPS (uninterruptible power supply) products or square wave or "quasi sine wave" inverters will damage the Alarm. If you are not sure about your inverter or UPS type, please consult with the manufacturer to verify.

Smoke Alarms for the hearing impaired: Special purpose Smoke Alarms should be installed for the hearing impaired. They include a visual alarm and an audible alarm horn, and meet the requirements of the Americans With Disabilities Act. Can be interconnected so if one unit senses smoke, all units alarm.

Smoke alarms are not to be used with detector guards unless the combination has been evaluated and found suitable for that purpose. All these Smoke Alarms are designed to provide early warning of fires if located, installed and cared for as described in the user's manual, and if smoke reaches them. Local building codes may also require specific units in new construction or in different areas of the home.

SPECIAL COMPLIANCE CONSIDERATIONS

⚠️ WARNING!

This Smoke Alarm alone is not a suitable substitute for complete fire detection systems in places housing many people—like apartment buildings, condominiums, hotels, motels, dormitories, hospitals, long-term health care facilities, nursing homes, day care facilities, or group homes of any kind—even if they were once single-family homes. It is not a suitable substitute for complete fire detection systems in warehouses, industrial facilities, commercial buildings, and special-purpose non-residential buildings which require special fire detection and alarm systems. Depending on the building codes in your area, this Smoke Alarm may be used to provide additional protection in these facilities.

In new construction, most building codes require the use of AC or AC/DC powered Smoke Alarms only. In existing construction, AC, AC/DC, or DC powered Smoke Alarms can be used as specified by local building codes.

LIMITATIONS OF SMOKE ALARMS

Smoke Alarms have played a key role in reducing deaths resulting from home fires worldwide. However, like any warning device, Smoke Alarms can only work if they are properly located, installed, and maintained, and if smoke reaches them. They are not foolproof.

Smoke alarms may not waken all individuals. Practice the escape plan at least twice a year, making sure that everyone is involved – from kids to grandparents. Allow children to master fire escape planning and practice how to hold a fire drill at night when they are sleeping. If children or others do not readily wake to the sound of the smoke alarm, or if there are infants or family members with mobility limitations, make sure that someone is assigned to assist them in fire drill and in the event of an emergency. It is recommended that you hold a fire drill while family members are sleeping in order to determine their response to the sound of the smoke alarm while sleeping and to determine whether they may need assistance in the event of an emergency.

Smoke Alarms cannot work without power. Battery operated units cannot work if the batteries are missing, disconnected or dead, if the wrong type of batteries are used, or if the batteries are not installed correctly. AC units cannot work if the AC power is cut off for any reason (open fuse or circuit breaker, failure along a power line or at a power station), electrical fire that burns the electrical wires, etc.). If you are concerned about the limitations of battery or AC power, install both types of units.

Smoke Alarms cannot detect fires if the smoke does not reach the Alarms. Smoke from fires in chimneys or walls, on roofs, or on the other side of closed doors may not reach the sensing chamber and set off the alarm. That is why one unit should be installed inside each bedroom or sleeping area—especially if bedroom or sleeping area doors are closed at night—and in the hallway between them.

Smoke Alarms may not detect fire on another floor or area of the dwelling. For example, a stand-alone unit on the second floor may not detect smoke from a basement fire until the fire spreads. This may not give you enough time to escape safely. That is why recommended minimum protection is at least one unit in every sleeping area, and every bedroom on every level of your dwelling. Even with a unit on every floor, stand-alone units may not provide as much protection as interconnected units, especially if the fire starts in a remote area. Some safety experts recommend installing interconnected AC powered units with battery back-up (see "About Smoke Alarms") or professional fire detection systems, so if one unit senses smoke, all units alarm. Interconnected units may provide earlier warning than stand-alone units since all units alarm when one detects smoke.

Smoke Alarms may not be heard. Though the alarm horn in this unit meets or exceeds current standards, it may not be heard if: 1) the unit is located outside a closed or partially closed door, 2) residents recently consumed alcohol or drugs, 3) the alarm is drowned out by noise from stereo, TV traffic, air conditioner or other appliances, 4) residents are hearing impaired or sound sleepers. Special purpose units, like those with visual and audible alarms, should be installed for hearing impaired residents.

Smoke Alarms may not have time to alarm before the fire itself causes damage, injury, or death, since smoke from some fires may not reach the unit immediately. Examples of this include persons smoking in bed, children playing with matches, or fires caused by violent explosions resulting from escaping gas.

Smoke Alarms are not foolproof. Like any electronic device, Smoke Alarms are made of components that can wear out or fail at any time. You must test the unit weekly to ensure your continued protection. Smoke Alarms cannot prevent or extinguish fires. They are not a substitute for property or life insurance.

Smoke Alarms have a limited life. The unit should be replaced immediately if it is not operating properly. You should always replace a Smoke Alarm after 10 years from date of purchase. Write the purchase date on the space provided on back of unit.

LIMITED WARRANTY

BRK Brands, Inc., ("BRK") the maker of BRK® brand and First Alert® brand products warrants that for a period of ten years from the date of purchase, this product will be free from defects in material and workmanship. BRK, at its option, will repair or replace this product or any component of the product found to be defective during the warranty period. Replacement will be made with a new or remanufactured product or component. If the product is no longer available, replacement may be made with a similar product of equal or greater value. This is your exclusive warranty.

This warranty is valid for the original retail purchaser from the date of initial retail purchase and is not transferable. Keep the original sales receipt. Proof of purchase is required to obtain warranty performance. BRK dealers, service centers, or retail stores selling BRK products do not have the right to alter, modify or any way change the terms and conditions of this warranty.

This warranty does not cover normal wear of parts or damage resulting from any of the following: negligent use or misuse of the product, use on improper voltage or current, use contrary to the operating instructions, disassembly, repair or alteration by anyone other than BRK or an authorized service center. Further, the warranty does not cover Acts of God, such as fire, flood, hurricanes and tornadoes or any batteries that are included with this unit.

BRK shall not be liable for any incidental or consequential damages caused by the breach of any express or implied warranty. Except to the extent prohibited by applicable law, any implied warranty of merchantability or fitness for a particular purpose is limited in duration to the duration of the above warranty. Some states, provinces or jurisdictions do not allow the exclusion or limitation of incidental or consequential damages or limitations on how long an implied warranty lasts, so the above limitations or exclusion may not apply to you. This warranty gives you specific legal rights, and you may also have other rights that vary from state to state or province to province.

How to Obtain Warranty Service

Service: If service is required, do not return the product to your retailer. In order to obtain warranty service, contact the Consumer Affairs Division at 1-800-323-9005, 7:30 AM - 5:00 PM Central Standard Time, Monday through Friday. To assist us in serving you, please have the model number and date of purchase available when calling.

For Warranty Service return to: BRK Brands, Inc., 25 Spur Drive, El Paso, TX 79906 U.S.A.

Battery: BRK Brands, Inc. make no warranty, express or implied, written or oral, including that of merchantability or fitness for any particular purpose with respect to battery.

Family Gard® is a registered trademark of BRK Brands, Inc. BRK® is a registered trademark of BRK Brands, Inc. First Alert® is a registered trademark of the First Alert Trust.

GUIDE DE L'UTILISATEUR

FAMILY GARD®

ALIMENTÉ PAR UNE PILE AVERTISSEUR DE FUMÉE

Modèle FG250A

Conforme à la norme **ULC S531**

Modèle FG250A

IMPORTANT ! VEILLER LIRE ATTENTIVEMENT ET CONSERVER.
 Ce Guide de l'utilisateur contient des informations importantes concernant le fonctionnement de votre avertisseur de fumée. En cas d'installation du présent avertisseur de fumée en vue d'une utilisation par des tiers, il faut confier le guide, ou une copie de ce dernier, à l'utilisateur final.

M08-0199-012 A 08/13 Imprimé au Mexique

INTRODUCTION

Merci d'avoir choisi BRK Brands, Inc. pour vos besoins en produits de avertisseur de fumée. Vous avez acheté un avertisseur de fumée perfectionné conçu pour vous alerter rapidement en cas d'incendie. **Parmi les fonctions clés :**

- Fonction Silence (FG250A seulement)** - Met en sourdine les alarmes intertempesives.
- Conception à couvercle articulé** - Permet le montage et le remplacement rapide et facile de la pile.
- Témoïn d'alimentation et d'alarme éclairé** - Une DEL confirme que la pile est bien connectée et qu'elle alimente le circuit. Fournit une indication visuelle de l'unité qui a déclenché l'alarme.
- Broche de verrouillage inviolable** - Verrouille le couvercle de l'avertisseur et empêche l'enlèvement de la pile. Idéal pour les applications dans les appartements, les dortoirs ou les hôtels.

Approuvé pour les véhicules de plaisance - Approuvé pour une utilisation dans les véhicules de plaisance.

Bouton d'Essai/Silence - Un bouton à une seule touche combine les deux fonctions.

Témoïn de pile déchargée - Un bip signale la nécessité de remplacer la pile. © 2013 BRK Brands, Inc. Tous droits réservés. Distribué par BRK Brands, Inc. 3901 Liberty Street Road, Aurora, IL 60504-8122 Service à la clientèle : (800) 323-9005 • www.brkelectronics.com • www.firstalert.ca

Tous les avertisseurs de fumée Family Gard® sont conformes aux exigences réglementaires, y compris la norme ULC S531, et sont conçus de manière à détecter les particules de combustion. Des particules de fumée en quantités et de formats variables se produisent avec tous les types d'incendies.

La technologie à ionisation est généralement plus sensible que la technologie photoélectrique pour la détection des fines particules ayant tendance à se produire en plus grand nombre avec les feux flamnants qui consomment rapidement les matériaux combustibles et progressent avec vigueur. Les sources de ces incendies peuvent inclure du papier qui brûle dans une corbeille ou un feu de graisse dans la cuisine.

La technologie photoélectrique est généralement plus sensible que la technologie à ionisation dans la détection des grandes particules ayant tendance à se produire en grand nombre avec les feux à progression lente qui peuvent couvrir pendant des heures avant de s'enflammer. Les sources de ces incendies peuvent inclure les cigarettes qui brûlent dans des sofas ou dans la literie.

Pour une protection maximale, utilisez les deux types d'avertisseurs de fumée sur chaque étage et dans chaque chambre à coucher de votre foyer.

CONSEILS DE SÉCURITÉ INCENDIE

Respectez les règles de sécurité et prévenez les situations dangereuses :
 1) Utilisez le matériel conformément. Ne tenez jamais au lit ;
 2) Gardez les allumettes et les briquets hors de la portée des enfants ;
 3) Rangez les matières inflammables dans des contenants appropriés ;
 4) Maintenez les appareils électriques en bon état et ne surchargez pas les circuits électriques ;
 5) Maintenez les cuisinières, les grilles de barbecue, les foyers et les cheminées exempts de graisse et de dépôts ;
 6) Ne faites jamais de cuisson sans surveillance sur une cuisinière ;
 7) Gardez les chaufferettes portatives et les flammeaux allumés, comme les chandelles, loin des matériaux inflammables ;
 8) Ne laissez pas les ordures s'accumuler.

Gardez les avertisseurs propres et les tester sur une base hebdomadaire. Remplacez les avertisseurs sans délai s'ils s'avèrent défectueux. Les avertisseurs de fumée qui ne fonctionnent pas ne peuvent pas vous alerter en cas d'incendie. Gardez au moins un extincteur d'incendie en état de fonctionner sur chaque étage et en conserver un de plus dans la cuisine. Faites en sorte qu'il y ait des échelles d'évacuation ou un autre moyen fiable d'évacuation d'un étage supérieur en cas d'obstruction de l'escalier.

AVANT DE MONTER VOTRE AVERTISSEUR DE FUMÉE
IMPORTANT ! Consultez les sections « Emplacements recommandés pour les avertisseurs de fumée » et « Emplacements à éviter pour les avertisseurs de fumée » avant de commencer. Cet appareil surveille l'air et quand la fumée atteint un certain niveau, il déclenche l'alarme. Il permet d'évacuer les lieux plus rapidement avant la propagation d'un incendie. Cet appareil ne peut déclencher une alarme précoce d'incendie en progression QU'E s'il est monté, entretenu et placé où la fumée peut l'atteindre et où tous les résidents peuvent l'entendre, selon la description du présent manuel. Cet appareil ne détecte pas les gaz, la chaleur ni les flammes. Il ne peut pas éteindre les incendies.

Comprenez les différents types d'avertisseurs de fumée
 Alimentés par piles ou par le courant alternatif ? Des avertisseurs de fumée différents offrent des types de protection différents. Consultez la section « A propos des avertisseurs de fumée » pour de plus amples détails.

Sachez où installer les avertisseurs de fumée
 Les professionnels de la sécurité contre les incendies et de la prévention des incendies recommandent au moins un avertisseur fumée à chaque niveau du foyer, dans chaque chambre à coucher et dans chaque couloir de chambre à coucher ou aire de couchage séparée. Consultez les sections « Emplacements recommandés pour les avertisseurs de fumée » et « Emplacements à éviter pour les avertisseurs de fumée » pour de plus amples détails.

Sachez ce que font les avertisseurs de fumée et ce qu'ils ne font pas
 Un avertisseur de fumée peut signaler un incendie et accorder un temps précieux pour évacuer les lieux. Il ne peut déclencher une alarme sonore qu'une fois que la fumée atteint le capteur. Consultez la section « Limitations des avertisseurs de fumée » pour de plus amples détails.

Vérifiez les codes du bâtiment locaux
 Le présent avertisseur de fumée est conçu pour une utilisation dans un foyer unifamilial normal. Seul, il n'est pas conforme aux exigences réglementaires concernant les pensions de famille, les immeubles d'habitation, les hôtels ou les motels. Avertisseurs de fumée doit être installé conformément au Code du bâtiment national du Canada (NBC), le Code national prévention des incendies, la norme CAN/ULC S553 ainsi qu'aux exigences locales.

AVERTISSEMENT !
 Cet appareil n'alertera pas les personnes malentendantes. Il est recommandé d'installer des appareils spéciaux utilisant des dispositifs tels que des lampes stroboscopiques clignotantes pour alerter les personnes malentendantes.
 Ne connecter cet appareil à aucun autre avertisseur ou dispositif auxiliaire. Il s'agit d'un appareil à poste unique qui ne peut être relié à d'autres dispositifs. Connecter autre chose à cet appareil pourra l'empêcher de fonctionner normalement.
 L'appareil ne fonctionnera pas en l'absence de piles. L'avertisseur de fumée ne fonctionnera que lorsqu'on aura installé la pile dans la bonne position (assortir le « » au « » et le « » au « ».)
 Cet avertisseur de fumée est doté d'un logement de pile qui ne peut être fermé tant que la pile n'est pas montée. C'est un avertissement que l'appareil ne fonctionnera pas sans pile.

ATTENTION !

- Ne montez pas cet appareil au-dessus d'une boîte de jonction électrique. Les courants d'air autour des boîtes de jonction peuvent empêcher la fumée d'atteindre la chambre de détection et empêcher l'appareil de déclencher une alarme. Seuls les appareils alimentés par le CA conviennent pour être montés au-dessus des boîtes de jonction.
- Ne vous tenez pas trop près de l'appareil quand il émet un signal sonore. Son intensité vise à réveiller les personnes en cas d'urgence. L'exposition à une distance rapprochée peut être nuisible pour l'ouïe.
- Ne peignez pas cet appareil. La peinture peut obstruer les ouvertures de la chambre de détection et empêcher l'appareil de fonctionner normalement.

COMMENT MONTER CET AVERTISSEUR DE FUMÉE

SUIVEZ CES SIMPLES INSTRUCTIONS !

LES PIÈCES DE CET AVERTISSEUR DE FUMÉE

COUVERCLE OUVERT

- « Open Here » (Ouvrir ici)
- Bouton d'Essai ou Bouton d'Essai/Silence (FG250A seulement)
- Base de l'avertisseur de fumée
- Onglet "No Battery" (Pas de pile)
- Fentes de fixation
- Monter une pile de 9 V ici
- Fente de broche de verrouillage

Cet appareil est conçu pour être monté sur un plafond, ou sur un mur si nécessaire.

OUTILS NÉCESSAIRES :
 • Crayon • Forer avec une mèche de 5 mm (3/16")
 • Marteau • Tournevis normal à lame plate

FNCTION DE VERROUILLAGE

Introduire la broche de verrouillage

FNCTION DE VERROUILLAGE

Introduire la broche de verrouillage

Pour verrouiller/déverrouiller le couvercle sur la base :

- À l'aide d'une pince à bec pointu ou d'un couteau universel, détacher une broche de verrouillage de l'arrière de la base de l'avertisseur.
- Introduire la broche de verrouillage dans la fente située à l'avant de l'avertisseur de la façon indiquée par le schéma.
- Retirer la broche pour déverrouiller le couvercle et remplacer la pile.

ESSAI HEBDOMADAIRE

AVERTISSEMENT !

- N'utilisez JAMAIS une flamme nue de quelque sorte que ce soit pour essayer cet appareil. Cela pourrait endommager accidentellement l'appareil ou déclencher un incendie dans l'appareil ou dans la demeure. Le contacteur d'essai incorporé contrôle le fonctionnement de l'appareil selon les exigences d'Underwriters' Laboratories of Canada (ULC) la norme S531.
- Si un test ne se déroule pas normalement sur un avertisseur, remplacez immédiatement celui-ci. Les produits sous garantie peuvent être retournés au fabricant en vue d'un remplacement. Consultez« Garantie limitée » pour de plus amples détails.

ATTENTION !

NE vous tenez PAS trop près de l'appareil quand il émet son signal sonore. L'exposition à une distance rapprochée peut être nuisible pour l'ouïe. Lors des essais, éloignez-vous de l'appareil quand l'alarme sonore retentit.

Il est important d'essayer cet appareil à chaque semaine afin de s'assurer qu'il fonctionne normalement. Il est recommandé d'utiliser le bouton d'essai pour contrôler cet avertisseur de fumée. Enfoncez le bouton d'essai sur le couvercle de l'avertisseur et maintenez-le dans cette position jusqu'à ce que l'alarme sonore retentisse (l'alarme de l'appareil peut continuer à retentir pendant quelques secondes après le relâchement du bouton). S'il ne déclenche pas d'alarme, assurez-vous que l'appareil est alimenté et contrôlez-le à nouveau. Si l'appareil ne déclenche toujours pas d'alarme, remplacez-le sans délai. Pendant l'essai, le puissant signal sonore 3 bips, pause, 3 bips et la DEL rouge clignotera rapidement.

ENTRETIEN PÉRIODIQUE

Cet appareil a été conçu de manière à nécessiter le moins d'entretien possible, mais quelques mesures simples s'imposent afin de le maintenir en bon état de fonctionner.

AVERTISSEMENT !

N'utilisez que les piles de rechange figurant sur la liste ci-dessous. Il est possible que l'appareil ne fonctionne pas normalement avec d'autres piles. N'utilisez jamais de piles rechargeables, car elles risquent de ne pas fournir une charge complète.

- Essayez l'appareil au moins une fois par semaine.
- Nettoyez l'avertisseur de fumée au moins une fois par mois ; passez doucement l'aspirateur à l'extérieur de l'avertisseur de fumée en utilisant la brosse d'époussetage de l'aspirateur. N'utilisez jamais d'eau, de produits de nettoyage ou de solvants, qui sont susceptibles d'endommager l'appareil.
- Si l'avertisseur de fumée devient encombré d'un excès de saletés, de poussières et/ou de saletés et qu'il ne peut être nettoyé de manière à empêcher les fausses alarmes, remplacez l'appareil immédiatement.
- Changez l'emplacement de l'appareil si celui-ci émet fréquemment des fausses alarmes. Consultez « Emplacements à éviter pour les avertisseurs de fumée » pour plus de détails.
- Lorsque les piles faiblissent, l'avertisseur de fumée émet un « gazouillis » environ toutes les minutes (l'avertissement d'intensité faible). Ce signal d'épuisement faible dure normalement jusqu'à 7 jours, mais la pile doit être remplacée sans délai afin de maintenir votre protection. **Remarque :** Si la broche de verrouillage est engagée, voir la section "Fonction de verrouillage" en ce qui concerne les instructions de déverrouillage.

Choix d'une pile de rechange :
 Votre détecteur de fumée requiert une pile standard de 9V. Les piles suivantes sont des piles de rechange acceptables : Duracell N° MN1604 ou (Ultra) N° MX1604 ; Eveready (Energiizer) N° 522. On peut également utiliser une pile au lithium comme la Ultralife U9VL-J, U9VL-J-P pour un délai de remplacement plus long. **Ces piles sont généralement disponibles dans les magasins de détail.**

IMPORTANT !

La vie utile réelle des piles dépend de l'avertisseur de fumée et de l'environnement où il est installé. Toutes les piles mentionnées précédemment sont des piles d'essai acceptables pour cet appareil. Quelle que soit la durée de vie de la pile mentionnée par le fabricant, il FAUT remplacer la pile immédiatement si l'appareil commence à émettre un gazouillis (le « signal d'épuisement de la pile »).

SI LE PRÉSENT AVERTISSEUR DE FUMÉE SE DÉCLENCHE RÉAGIR À UNE ALARME

Pendant une alarme, on entendra 3 bips, pause, 3 bips et la DEL rouge clignotera rapidement.

AVERTISSEMENT !

- Si l'appareil déclenche l'alarme et qu'il ne s'agit pas d'un essai de l'appareil, c'est le signal d'une situation potentiellement dangereuse exigeant une attention immédiate. N'ignorez JAMAIS une alarme. Ignorer l'alarme peut entraîner des lésions corporelles, voire la mort.
- Ne retirez jamais les piles d'un avertisseur à piles dans le but de neutraliser une fausse alarme causée par la fumée de cuisson, etc.). Le fait de retirer les piles inactive l'avertisseur et rend impossible la détection de la fumée, annulant votre protection. Ouvrez plutôt une fenêtre ou évacuer la fumée loin de l'appareil. L'avertisseur se réenclenche automatiquement.
- Si l'appareil déclenche une alarme, procédez immédiatement à l'évacuation générale du foyer.

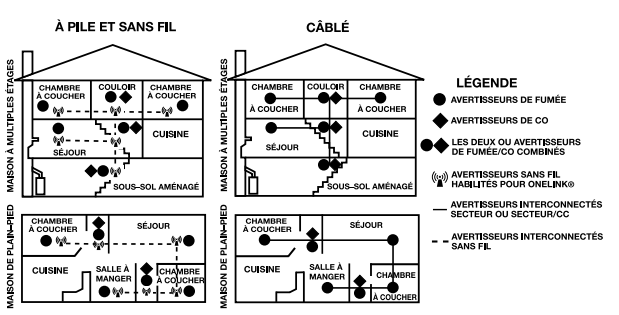
EMPLACEMENTS RECOMMANDÉS POUR LES AVERTISSEURS DE FUMÉE, Suite

Plus précisément, installer des avertisseurs de fumée :

- Dans le couloir près de chaque aire de couchage. Si votre demeure compte plusieurs aires de couchage, installer un appareil dans chacune d'elles. Si le couloir mesure plus de 12 mètres de long (40 pieds), installer un appareil à chaque extrémité.
- Dans le haut de l'escalier menant du premier au deuxième étage et dans le bas de l'escalier du sous-sol.

IMPORTANT !

Les exigences particulières concernant le montage des avertisseurs de fumée varient d'une province à l'autre et d'une région à l'autre. Vérifiez auprès du service des incendies local en ce qui concerne les exigences s'appliquant à la région visée. **Il est recommandé que les appareils alimentés en c.a. ou en c.a./c.c. soient interconnectés pour une protection accrue.**



INSTALLATION DE AVERTISSEURS DE FUMÉE DANS LES MAISONS MOBILES ET LES VÉHICULES DE PLAISANCE

Faire l'essai des appareils utilisés dans les véhicules de plaisance après toute période de remisage, avant chaque voyage et une fois par semaine lorsqu'ils sont en cours d'utilisation. Le fait de ne pas procéder à l'essai des appareils utilisés dans les véhicules de plaisance tel que décrit précédemment peut annuler la protection.

EMPLACEMENTS À ÉVITER POUR LES AVERTISSEURS DE FUMÉE

Pour obtenir de meilleurs résultats, ÉVITEZ de monter des avertisseurs de fumée dans ces lieux :

- Là où des particules de combustion sont produites. Les particules de combustion se forment quand quelque chose brûle. Les lieux à éviter sont notamment : les cuisines mal aérées, les garages et les chaufferies. Maintenez les appareils à 6 mètres (20 pi) au moins des sources de particules de combustion (cuisinière, fournaise, chauffe-eau, appareil de chauffage d'appoint). Dans les lieux où il est impossible de maintenir cette distance de 6 mètres (20 pi) – les maisons modulaires ou mobiles et les maisons de petite taille, par exemple - il est recommandé de placer l'avertisseur de fumée aussi loin que possible de ces sources à combustible. Les recommandations de placement ont pour but de maintenir ces avertisseurs à une distance raisonnable de toute source à combustible, et de réduire de ce fait les alarmes « intempesives ».
- Les alarmes intempesives se produisent quand un avertisseur de fumée est placé directement à côté d'une source à combustible. Aérez ces lieux le mieux possible.
- Dans les courants d'air près des cuisines. Les courants d'air peuvent entraîner la fumée de cuisson dans la chambre de détection d'un avertisseur de fumée se trouvant près de la cuisine.
- Dans les lieux très humides ou à proximité directe des salles de bains avec douche. Installez les appareils à 3 mètres (10 pi) au moins des douches, saunas, lave-vaisselle, etc.
- Dans les endroits où la température se situe généralement entre 4,4° C (40° F) et 38,0° C (100° F), y compris les bâtiments non chauffés, les pièces extérieures, les vérandas ou les greniers et les sous-sols non finis.
- Dans les endroits très poussiéreux, sales ou grasseux : N'installez pas un avertisseur de fumée directement au-dessus d'une cuisinière ou d'un four. Gardez l'avertisseur de fumée de la salle de lavage exempt de poussière ou de peluches.
- À proximité de bouches d'air, de ventilateurs de plafond ou dans les lieux où l'air est très turbulent. Les courants d'air peuvent éloigner la fumée de l'appareil et l'empêcher d'atteindre la chambre de détection.
- Dans les lieux infestés d'insectes. Les insectes peuvent obstruer les ouvertures de la chambre de détection et provoquer des alarmes intempesives.
- À moins de 305 mm (12 pouces) de lampes fluorescentes. Des parasites d'origine électrique peuvent faire obstacle au capteur.
- Dans les vides d'air non ventilés. Les vides d'air peuvent empêcher la fumée d'atteindre l'avertisseur de fumée.

ÉVITEZ LES VIDES D'AIR

Les vides d'air peuvent empêcher la fumée d'atteindre l'avertisseur de fumée. Pour éviter les vides d'air, conformez-vous aux recommandations d'installation ci-dessous.

Sur les plafonds, installez les avertisseurs de fumée aussi près que possible du centre du plafond. Si c'est impossible, installez l'avertisseur de fumée à au moins 102 mm (4 pouces) du mur ou du coin.

Pour le montage mural (si les codes du bâtiment le permettent), le bord supérieur des avertisseurs de fumée doit être placé entre 102 mm (4 pouces) et 305 mm (12 pouces) de la ligne du mur et du plafond, au-dessous des vides d'air caractéristiques.

Sur un plafond pointu ou à pignon ou sur un plafond cathédrale, montez le premier avertisseur de fumée à l'intérieur d'une limite de 0,9 mètres (3 pieds) du faite de plafond ou mur horizontallement. D'autres avertisseurs de fumée peuvent être nécessaires selon la longueur, l'angle, etc. de la pente du plafond. Consulter l'article 712 de la NFPA pour obtenir les détails relatifs aux exigences en ce qui a trait aux plafonds en pente ou aux plafonds pointus.

À PROPOS DES AVERTISSEURS DE FUMÉE

Avertisseurs de fumée alimentés par piles (CC) : Assurent une protection même en cas de panne de courant, dans la mesure où les piles fonctionnent et qu'elles sont correctement installées. Les appareils sont faciles à installer et n'exigent pas l'intervention d'un professionnel. Assurant une protection même en cas de panne de courant, dans la mesure où les piles fonctionnent et sont correctement installées.

Avertisseurs alimentés par le courant alternatif : Ils peuvent être interconnectés de telle sorte que tous les avertisseurs déclenchent l'alarme si l'un d'eux détecte de la fumée. Ils ne fonctionnent pas en cas de panne de courant. **Avertisseurs alimentés par le courant alternatif avec piles (CC) de secours** : ils fonctionnent en cas de panne de courant, à condition que les piles soient en bon état et correctement montées. Les appareils alimentés par un circuit c.a. et par un circuit c.a./c.c. doivent être montés par un électricien qualifié.

Avertisseurs à interconnexion sans fil : Offrent, sans fils, la même possibilité d'interconnexion que les avertisseurs câblés. Les appareils sont faciles à installer et n'exigent pas l'intervention d'un professionnel. Assurant une protection même en cas de panne de courant, dans la mesure où les piles fonctionnent et sont correctement installées.

Avertisseurs de fumée pour les utilisateurs d'énergie solaire ou éolienne et les systèmes d'alimentation par piles de secours. Les avertisseurs de fumée alimentés par le courant alternatif ne doivent fonctionner qu'avec des inverseurs d'onde sinusoïdale réelle. Faire fonctionner cet avertisseur de fumée à partir de la plupart des blocs d'alimentation de type à système d'alimentation sans coupure à batterie ou d'inverseurs à onde carrées, ou quasi-sinusoïdale, endommagera l'avertisseur. Si vous n'êtes pas certain du type d'inverseur ou de système d'alimentation sans coupure utilisé, consultez le fabricant afin de vérifier.

Avertisseurs de fumée pour les personnes malentendantes : Des avertisseurs de fumée spéciaux doivent être installés pour les personnes malentendantes. Ils comprennent une alarme visuelle et une alarme sonore et sont conformes aux exigences de l'Americans With Disabilities Act. Ils peuvent être interconnectés de telle sorte que tous les avertisseurs déclenchent l'alarme si l'un d'eux détecte de la fumée.

Les avertisseurs de fumée ne doivent pas être utilisés avec des grilles de protection à moins que la combinaison n'ait été évaluée et déclarée conforme à l'utilisation.

Tous ces avertisseurs de fumée sont conçus de manière à déclencher rapidement une alarme d'incendie lorsqu'ils sont correctement installés et entretenus selon les indications du Guide de l'utilisateur et dans la mesure où la fumée les atteint. Les codes de votre localité peuvent également exiger certains appareils en particulier dans une nouvelle construction ou dans différentes parties de votre foyer.

CONSIDÉRATIONS SPÉCIALES DE CONFORMITÉ

AVERTISSEMENT !

Ce seul appareil ne convient pas pour remplacer les systèmes complets de détection des incendies pour les endroits logeant un grand nombre de personnes, comme les immeubles résidentiels, les condominiums, les hôtels, les motels, les résidences d'étudiants, les hôpitaux, les centres hospitaliers de soins de longue durée, les foyers pour personnes âgées, les services de garde ou n'importe quel foyer de groupe, même si ceux-ci ont déjà été des maisons unifamiliales. Cet appareil n'est pas un remplacement convenable pour les systèmes complets de détection des incendies dans les entrepôts, les installations industrielles, les édifices commerciaux et les édifices non résidentiels à vocation particulière, pour lesquels des systèmes spéciaux de détection des incendies et d'alarme sont nécessaires. Selon les codes du bâtiment de votre région, cet appareil peut convenir pour fournir une protection supplémentaire dans ces établissements.

Dans les nouvelles constructions, la plupart des codes du bâtiment exigent l'utilisation d'avertisseurs de fumée alimentés par c.a. ou par c.a./c.c. exclusivement. Les avertisseurs de fumée alimentés par CA, CA/CC ou CC peuvent être utilisés dans les constructions existantes selon les spécifications des codes du bâtiment locaux.

LIMITATIONS DES AVERTISSEURS DE FUMÉE

Les avertisseurs de fumée ont joué dans le monde entier un rôle majeur dans la diminution des décès attribuables à des incendies de résidence. Toutefois, comme tout dispositif d'alarme, les avertisseurs de fumée ne peuvent fonctionner que s'ils sont adéquatement situés, installés et entretenus, et si la fumée les atteint. Ils ne sont pas infaillibles.

Les avertisseurs de fumée ne réveillent pas nécessairement toutes les personnes. Réveillez la fumée d'évacuation au moment de se lever en veillant à ce que tout le monde y participe - des enfants aux grands-parents. Attendez que les enfants aient maîtrisé la planification et la répétition du plan d'évacuation avant de déclencher un exercice pendant qu'ils dorment la nuit. Si les enfants et d'autres personnes ne se réveillent pas d'eux-mêmes quand l'alarme de l'avertisseur de fumée se déclenche, ou s'il y a des enfants en bas âge ou des personnes présentant des limitations de mobilité, veillez à désigner quelqu'un pour les aider lors de l'exercice d'évacuation nocturne ou en cas d'urgence. Il est d'urgence de faire un exercice d'incendie tandis que les membres de la famille sont assoupis afin de déterminer leurs réactions au bruit de l'avertisseur de fumée pendant leur sommeil et de déterminer s'ils auront besoin d'assistance en cas d'urgence.

Les avertisseurs de fumée ne peuvent pas fonctionner sans alimentation. Les appareils à piles ne peuvent pas fonctionner si les piles sont manquantes, déconnectées ou épuisées ou si les piles ne conviennent pas ou encore si les piles ne sont pas correctement montées. Les appareils alimentés par CA ne peuvent pas fonctionner si le courant est coupé pour une raison quelconque (fusible ou disjoncteur ouverts, panne de courant sur le réseau ou à la centrale, incendie électrique ayant consommé les fils électriques, etc.). Si les limitations de l'alimentation par piles ou par le courant alternatif vous préoccupent, installez les deux types d'appareils.

Les avertisseurs de fumée ne peuvent pas détecter les incendies si la fumée ne les atteint pas. Les feux d'incendies se produisant dans les cheminées, dans les murs, sur le toit ou de l'autre côté d'un mur ne peuvent pas atteindre la chambre de détection et déclencher l'alarme. C'est pourquoi il convient d'installer un appareil dans chaque chambre à coucher ou aire de couchage - surtout si les portes des chambres ou aires de couchage sont fermées la nuit - ainsi que dans le couloir les séparant.

Les avertisseurs de fumée pourront ne pas détecter un incendie à un autre étage ou dans un autre endroit du foyer. Par exemple, un appareil autonome au second étage pourra ne pas détecter la fumée d'un incendie au sous-sol jusqu'à ce que l'incendie se soit propagé. Il est possible que cela ne donne pas suffisamment de temps pour évacuer les lieux en toute sécurité. C'est la raison pour laquelle la protection minimum recommandée est d'au moins un appareil dans chaque aire de couchage et dans chaque chambre à coucher à chaque niveau du foyer. Même avec un appareil à chaque étage, les appareils autonomes pourront ne pas fournir une aussi bonne protection que les appareils interconnectés, surtout si l'incendie se produit dans un endroit éloigné. Certains spécialistes de la sécurité recommandent d'installer des appareils sur le secteur interconnectés dotés d'un dispositif de secours à piles (voir « A propos des avertisseurs de fumée ») ou des systèmes de détection d'incendie professionnels, de sorte que si un appareil détecte de la fumée, tous les appareils déclenchent l'alarme. Les appareils interconnectés pourront déclencher l'alarme de façon plus précoce que les appareils autonomes, car tous les appareils déclenchent l'alarme quand l'un d'entre eux détecte de la fumée.

Il est possible qu'on n'entende pas les avertisseurs de fumée. Bien que l'avertisseur sonore de cet appareil soit conforme aux normes actuelles, ou les dépasse, il est possible qu'on ne l'entende pas si : 1) l'appareil est situé derrière une porte entièrement ou partiellement fermée, 2) les résidents ont récemment consommé de l'alcool ou de la drogue, 3) l'alarme est noyée par le bruit d'une chaîne stéréo, d'un téléviseur, de la circulation, d'un climatiseur, ou d'autres appareils ménagers, 4) les résidents sont malentendants ou ont un sommeil profond. Des appareils spécialisés, comme ceux à alarmes visuelles et sonores, doivent être installés à l'intention des résidents malentendants.

Les avertisseurs de fumée pourront ne pas déclencher une alarme avant que l'incendie ne cause des dommages, des blessures corporelles voire même la mort parce que la fumée de certains incendies peut ne pas atteindre l'appareil immédiatement. Des exemples de ces feux comprennent les personnes fumant au lit, les enfants qui s'amusent avec des feux de camp ou les incendies causés par de violentes explosions résultant de fuites de gaz.

Les avertisseurs de fumée ne sont pas infaillibles. Comme tous les dispositifs électroniques, les avertisseurs de fumée sont fabriqués avec des composants susceptibles de s'user ou de tomber en panne avec le temps. Vous devez faire l'essai de cet appareil toutes les semaines pour assurer le maintien en vigueur de la protection. Les avertisseurs de fumée ne peuvent pas empêcher ou éteindre les incendies. Ils ne remplacent pas une assurance des biens ou de la vie.

Les avertisseurs de fumée ont une durée de vie limitée. Cet appareil doit être remplacé immédiatement s'il s'avère qu'il ne fonctionne plus normalement. Il faut toujours remplacer un avertisseur de fumée après 10 ans à compter de la date d'achat. Notez la date d'achat dans l'espace réservé à cette fin au dos de l'appareil.

GARANTIE LIMITÉE

BRK Brands, Inc. ("BRK") le fabricant des produits des marques BRK® brand et First Alert® garantit pendant une période de dix ans à compter de la date d'achat, ce produit contre les défauts de pièces et de fabrication. BRK se réserve le choix de réparer ou de remplacer ce produit ou tout composant de ce produit qui se sera avéré défectueux pendant la période de garantie. Cette sera remplacé gratuitement par un produit ou composé neuf ou remis à neuf. Si le produit n'est plus disponible, il sera remplacé par un produit semblable d'une valeur égale ou supérieure. Ceci est votre garantie exclusive.

Cette garantie est valide pour l'acheteur au détail initial à compter de la date d'achat au détail initiale et elle n'est pas transférable. Conservez le reçu de caisse original. Une preuve d'achat est nécessaire pour obtenir l'exécution de la garantie. Les concessionnaires, centres de service à la clientèle BRK ou les magasins détaillant des produits BRK ne sont pas autorisés à changer ou à modifier en aucune façon les conditions et modalités de la présente garantie. La présente garantie ne couvre pas l'usure normale des pièces ni leur endommagement découlant des circonstances suivantes : utilisation négligente ou message du produit, utilisation d'une tension ou d'un courant inadéquat, utilisation contraire au mode d'emploi, démontage, réparation ou modification par toute entité autre que BRK ou un centre de service à la clientèle agréé. En outre, la présente garantie ne couvre pas les cas de force majeure, tels les incendies, inondations, ouragans et tornades ou les piles fournies avec cet appareil.

BRK rejette la responsabilité de tous dommages indirects ou consécutifs causés par une intervention d'entretien-dépannage de garantie expressé ou implicite. Sauf dans la mesure interdite par la loi applicable, toute garantie implicite de valeur marchande ou d'adaptation à une fin particulière est limitée dans le temps à la durée de la garantie ci-dessus. Certains états, provinces ou juridictions n'autorisent pas l'exclusion ou la limitation des dommages indirects ou consécutifs ou les limitations quant à la période de garantie implicite, il est donc possible que les limitations ou exclusions ci-dessus ne s'appliquent pas à vous. Le présent document confère des droits légaux spécifiques aux utilisateurs et il se peut que d'autres droits s'appliquent selon l'état ou la province.