

The ASRock logo is positioned at the top left of the page. It features the brand name 'ASRock' in a bold, green, sans-serif font, with a registered trademark symbol (®) to the upper right of the 'k'.

**ASRock®**

— Industrial —

A decorative geometric pattern of overlapping triangles in various shades of green, teal, and blue is located on the left side of the page. The pattern is composed of many small triangles that form larger, irregular shapes. The background of the page is split diagonally from the top right to the bottom left, with a white area on the left and a dark blue area on the right.

**NUC BOX-1165G7**

**NUC BOX-1135G7**

**NUC BOX-1115G4**

**NUC BOX-6305E**

User Manual

Version 1.0

Published March 2021

Copyright©2024 ASRock Inc. All rights reserved.

## Copyright Notice:

No part of this documentation may be reproduced, transcribed, transmitted, or translated in any language, in any form or by any means, except duplication of documentation by the purchaser for backup purpose, without written consent of ASRock Inc.

Products and corporate names appearing in this documentation may or may not be registered trademarks or copyrights of their respective companies, and are used only for identification or explanation and to the owners' benefit, without intent to infringe.

## Disclaimer:

Specifications and information contained in this documentation are furnished for informational use only and subject to change without notice, and should not be constructed as a commitment by ASRock. ASRock assumes no responsibility for any errors or omissions that may appear in this documentation.

With respect to the contents of this documentation, ASRock does not provide warranty of any kind, either expressed or implied, including but not limited to the implied warranties or conditions of merchantability or fitness for a particular purpose.

In no event shall ASRock, its directors, officers, employees, or agents be liable for any indirect, special, incidental, or consequential damages (including damages for loss of profits, loss of business, loss of data, interruption of business and the like), even if ASRock has been advised of the possibility of such damages arising from any defect or error in the documentation or product.



This device complies with Part 15 of the FCC Rules. Operation is subject to the following two conditions:

- (1) this device may not cause harmful interference, and
- (2) this device must accept any interference received, including interference that may cause undesired operation.

## CALIFORNIA, USA ONLY

The Lithium battery adopted on this motherboard contains Perchlorate, a toxic substance controlled in Perchlorate Best Management Practices (BMP) regulations passed by the California Legislature. When you discard the Lithium battery in California, USA, please follow the related regulations in advance.

“Perchlorate Material-special handling may apply, see [www.dtsc.ca.gov/hazardouswaste/perchlorate](http://www.dtsc.ca.gov/hazardouswaste/perchlorate)”

**ASRock's Website: [www.ASRock.com](http://www.ASRock.com)**

## Replaceable batteries

### CAUTION

**RISK OF EXPLOSION IF BATTERY IS REPLACED BY AN INCORRECT TYPE.  
DISPOSE OF USED BATTERIES ACCORDING TO THE INSTRUCTIONS**

## Contact Information

If you need to contact ASRock or want to know more about ASRock, you're welcome to visit ASRock's website at [www.ASRock.com](http://www.ASRock.com); or you may contact your dealer for further information.

### **ASRock Incorporation**

6F., No.37, Sec. 2, Jhongyang S. Rd., Beitou District,

Taipei City 112, Taiwan (R.O.C.)

The terms HDMI® and HDMI High-Definition Multimedia Interface, and the HDMI logo are trademarks or registered trademarks of HDMI Licensing LLC in the United States and other countries.



## Button Battery Safety Notice

### **WARNING**

- **INGESTION HAZARD:** This product contains a button cell or coin battery.
- **DEATH** or serious injury can occur if ingested.
- A swallowed button cell or coin battery can cause **Internal Chemical Burns** in as little as **2 hours**.
- **KEEP** new and used batteries **OUT OF REACH of CHILDREN**
- **Seek immediate medical attention** if a battery is suspected to be swallowed or inserted inside any part of the body.



- Remove and immediately recycle or dispose of used batteries according to local regulations and keep away from children. Do NOT dispose of batteries in household trash or incinerate.
- Even used batteries may cause severe injury or death.
- Call a local poison control center for treatment information.
- Battery type: CR2032
- Battery voltage: 3.3V
- Non-rechargeable batteries are not to be recharged.
- Do not force discharge, recharge, disassemble, heat above (manufacturer's specified temperature rating) or incinerate. Doing so may result in injury due to venting, leakage or explosion resulting in chemical burns.
- This product contains an irreplaceable battery.
- This icon indicates that a swallowed button battery can cause serious injury or death. Please keep batteries out of sight or reach of children.

## Contents

<b>Chapter 1 Introduction</b>	<b>1</b>
1.1 Package Contents	1
1.2 Product Specifications	2
<b>Chapter 2 Product Overview</b>	<b>4</b>
2.1 Front View	4
2.2 Rear View	5
2.3 Inside View	7
<b>Chapter 3 Hardware Installation</b>	<b>8</b>
3.1 How to Remove the Bottom Case	8
3.2 How to Install the WiFi Module	9
3.3 How to Remove the M.2 SSD and the Bracket	10
3.4 How to Install the M.2 SSD	11
3.5 How to Install the 2.5-inch Hard Drive	12
3.6 How to Install the Memory Modules (DDR4)	15
<b>Chapter 4 Motherboard</b>	<b>16</b>
4.1 Motherboard Layout	16
4.2 Jumpers Setup	17
4.3 Onboard Headers and Connectors	18
4.4 Expansion Slots (M.2 Slots)	20
<b>Chapter 5 UEFI Setup Utility</b>	<b>21</b>
5.1 Introduction	21
5.1.1 UEFI Menu Bar	21

5.1.2	Navigation Keys	22
5.2	Main Screen	22
5.3	Advanced Screen	23
5.3.1	CPU Configuration	24
5.3.2	Chipset Configuration	26
5.3.3	Storage Configuration	27
5.3.4	Super IO Configuration	28
5.3.5	ACPI Configuration	29
5.3.6	USB Configuration	30
5.3.7	Trusted Computing	31
5.4	Hardware Health Event Monitoring Screen	32
5.5	Security Screen	33
5.6	Boot Screen	34
5.7	Exit Screen	35
	<b>Chapter 6 Software Support</b>	<b>36</b>
6.1	Install Operating System	36

# Chapter 1 Introduction



*Because the hardware specifications might be updated, the content of this documentation will be subject to change without notice.*

## 1.1 Package Contents

- 1 x NUC 1100 BOX Series
- 1 x 19V/90W Power Adapter
- 1 x VESA Mount Bracket
- 1 x Quick Installation Guide



*If any items are missing or appear damaged, contact your authorized dealer.*

## 1.2 Product Specifications

NUC 1100 BOX Series	Barebone						
<b>CPU</b>	NUC BOX-1165G7 (I7-1165G7, QC, Max Speed up to 4.7GHz) NUC BOX-1135G7 (I5-1135G7, QC, Max Speed up to 4.2GHz) NUC BOX-1115G4 (I3-1115G4, DC, Max Speed up to 4.1GHz) NUC BOX-6305E (Celeron 6305E, DC, 1.8GHz)						
<b>OS</b>	N/A						
<b>Chipset</b>	MCP						
<b>Memory</b>	Supports Dual Channel DDR4 3200 MHz, 2 x 260-pin SO-DIMM, Max. 64GB (32 GB per DIMM)						
<b>HDD</b>	<table border="0"> <tr> <td><b>M.2 slot</b></td> <td>Optional</td> </tr> <tr> <td colspan="2">-----</td> </tr> <tr> <td><b>2.5" HDD</b></td> <td>Supports 1 x 2.5" SATA HDD*/SSD</td> </tr> </table>	<b>M.2 slot</b>	Optional	-----		<b>2.5" HDD</b>	Supports 1 x 2.5" SATA HDD*/SSD
<b>M.2 slot</b>	Optional						
-----							
<b>2.5" HDD</b>	Supports 1 x 2.5" SATA HDD*/SSD						
<b>LAN</b>	LAN1: Intel® I219V with 10/100/1000 Mbps LAN2: Intel® I225LM/I225V with 10/100/1000/2500 Mbps						
<b>WiFi</b>	1 x Intel® Wi-Fi 6 AX200 module						
<b>Audio</b>	Realtek ALC233/ALC256, High Definition Audio						
<b>Front I/O</b>	1 x USB 3.2 Gen2 (Type-A), 2 x USB 3.2 Gen2 (Type-C, Supports DP1.4 display output), 1 x Audio-out with MIC-In						
<b>Rear I/O</b>	2 x USB 3.2 Gen2 (Type-A), 1 x HDMI, 1 x DP, 2 x LAN (1 x 1 Gigabit LAN, 1 x 2.5 Gigabit LAN), DC-IN, 1 x Kensington lock						
<b>Power Unit</b>	19V/90W Adapter						

**Dimension  
(L x W x H)**

117.5 x 110.0 x 47.85mm(4.63" x 4.33" x 1.88")

**VESA**

Bracket included , supports 75 x 75 and 100 x 100 mm

**Volume  
(Liters)**

0.6L

**Operating  
Temperature**

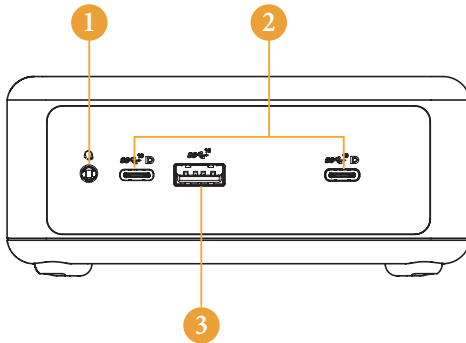
0°C~40°C

*\* For NUC 1100 BOX Series, it is not recommended to install 2.5" HDD. If you install the 2.5" HDD, please keep the NUC 1100 BOX Series in a vertical position to ensure better cooling performance.*

# Chapter 2 Product Overview

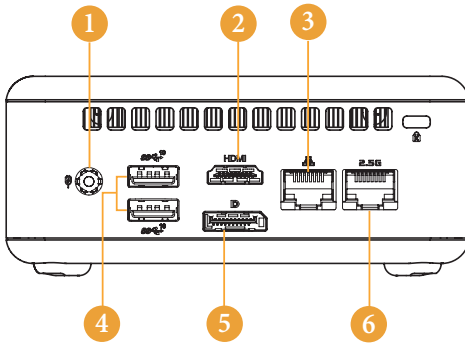
This chapter provides diagrams showing the location of important components of the NUC 1100 BOX Series.

## 2.1 Front View



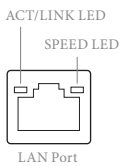
No.	Description
1	Audio(Mic-in, Line-out)
2	2 x USB 3.2 Gen2 Ports (Type-C, supports DP1.2a display output)
3	USB 3.2 Gen2 (Type-A)

## 2.2 Rear View



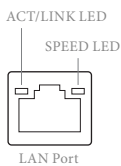
No.	Description
1	DC-IN
2	HDMI
3	RJ-45 (1G)*
4	2 x USB 3.2 Gen2 Ports
5	DisplayPort
6	RJ-45 (2.5G)**

\* There are two LEDs on the LAN port. Please refer to the table below for the LAN port LED indications.



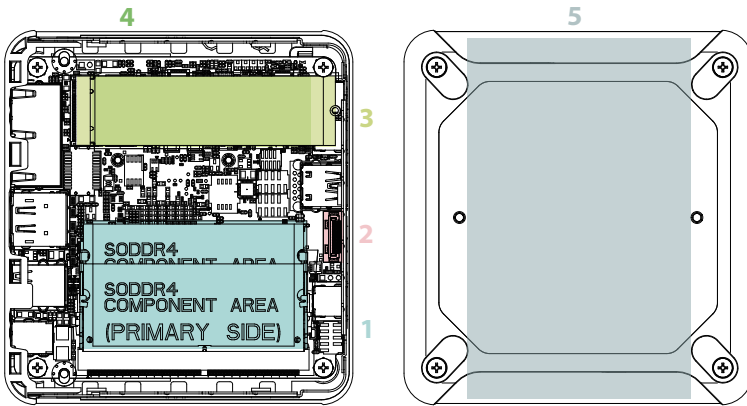
Activity / Link LED		Speed LED	
Status	Description	Status	Description
Off	No Link	Off	10Mbps connection
Blinking	Data Activity	Orange	100Mbps connection
On	Link	Green	1Gbps connection

\* There are two LEDs on the LAN port. Please refer to the table below for the LAN port LED indications.



Activity / Link LED		Speed LED	
Status	Description	Status	Description
Off	No Link	Off	10Mbps connection
Blinking	Data Activity	Orange	100Mbps/1Gbps connection
On	Link	Green	2.5Gbps connection

## 2.3 Inside View



No.	Description
1	SO-DIMM Slot
2	SATA 3.0 Connector
3	Mini PCIe Slot
4	M.2 Slot
5	Hard disk drive tray (compatible with 2.5" SATA HDD/SSD)



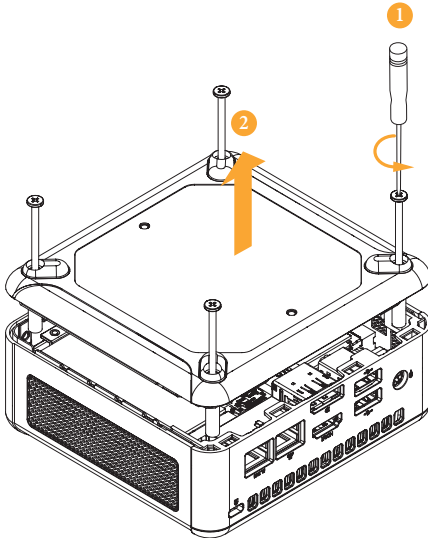
*SO-DIMM memory, hard drive and mSATA SSD are not included with this system.*

# Chapter 3 Hardware Installation

This chapter helps you install or remove important components.

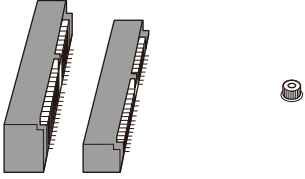
## 3.1 How to Remove the Bottom Case

1. Remove the four screws on the bottom case.
2. Then lift up and remove the bottom panel..

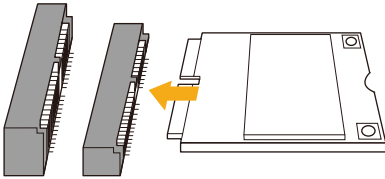


## 3.2 How to Install the WiFi Module

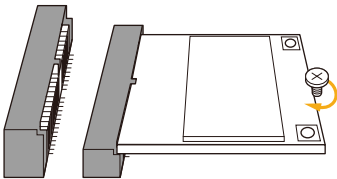
1. Locate the WiFi Module slot on the motherboard.



2. Carefully insert the WiFi Module into the slot.

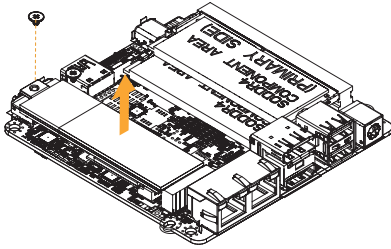


3. Tighten the screw to secure the WiFi Module to the motherboard.

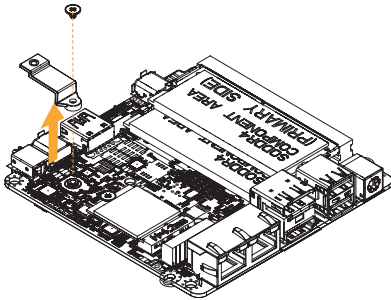


### 3.3 How to Remove the M.2 SSD and the Bracket

1. Release the screw and carefully remove the M.2 SSD.

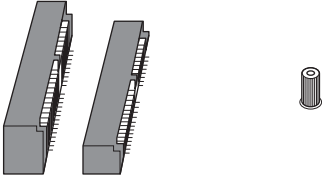


2. Release the screw and remove the bracket from the motherboard.

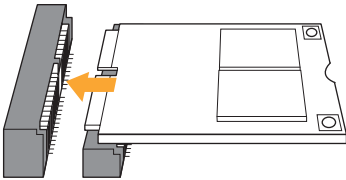


## 3.4 How to Install the M.2 SSD

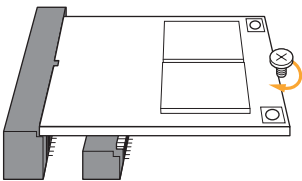
1. Locate the M.2 slot on the motherboard.



2. Carefully insert the M.2 SSD into the slot.

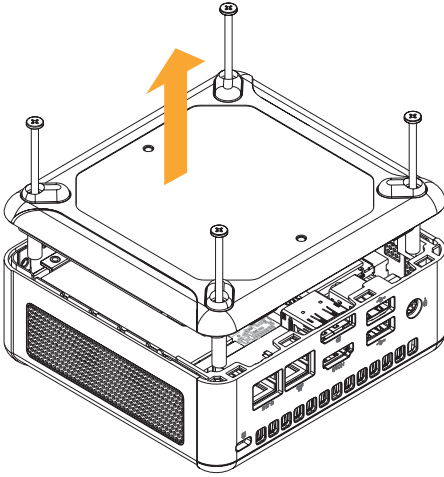


3. Tighten the screw to secure the M.2 SSD to the motherboard.

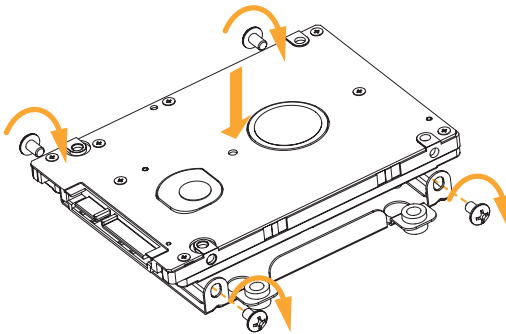


### 3.5 How to Install the 2.5-inch Hard Drive

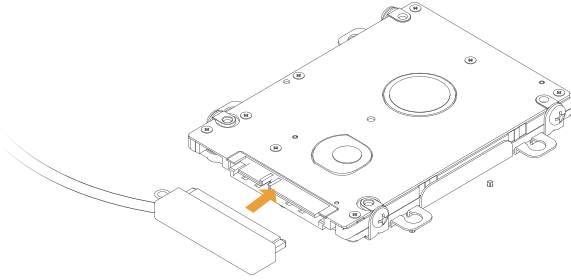
1. Remove the four screws on the bottom case. Then lift up and remove the bottom panel.



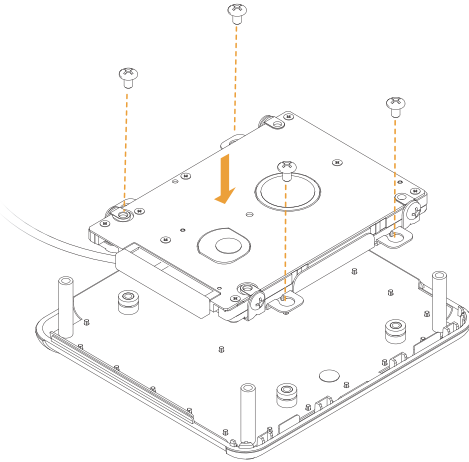
2. Attach the HDD to the hard drive mounting bracket and secure it using the four screws.



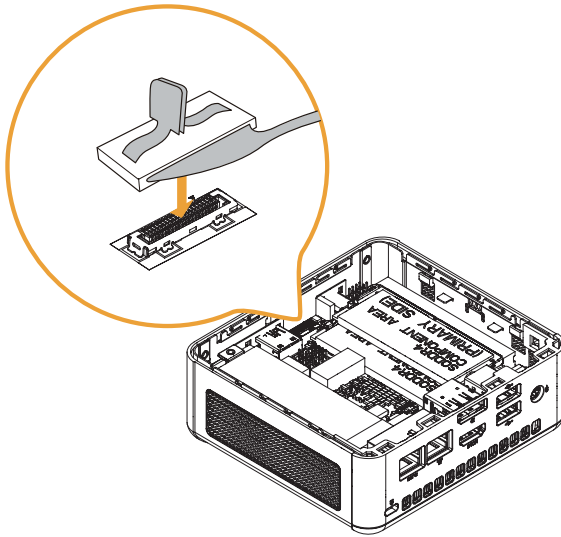
3. Connect the SATA Data and Power Cable to the HDD.



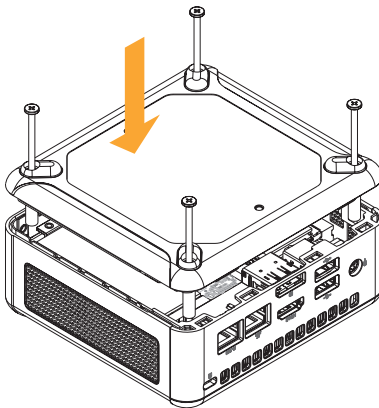
4. Connect the SATA Data and Power Cable to the HDD.



5. Connect the SATA Cable to the connector.



6. Then reinstall the bottom panel.



### 3.6 How to Install the Memory Modules (DDR4)

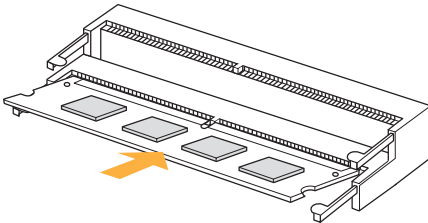


1. The NUC 1100 BOX Series requires DDR4 SO-DIMM.
2. For dual channel configuration, you always need to install identical (the same brand, speed, size and chip-type) DDR4 SO-DIMM pairs.

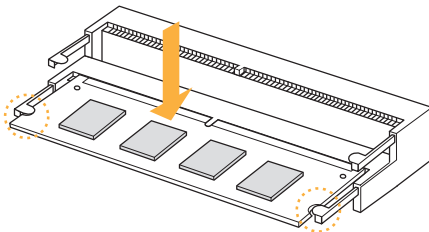


*The SO-DIMM only fits in one correct orientation. It will cause permanent damage to the motherboard and the DIMM if you force the DIMM into the slot at incorrect orientation.*

1. Carefully insert the SO-DIMM memory modules into the slot at a 30-degree angle.

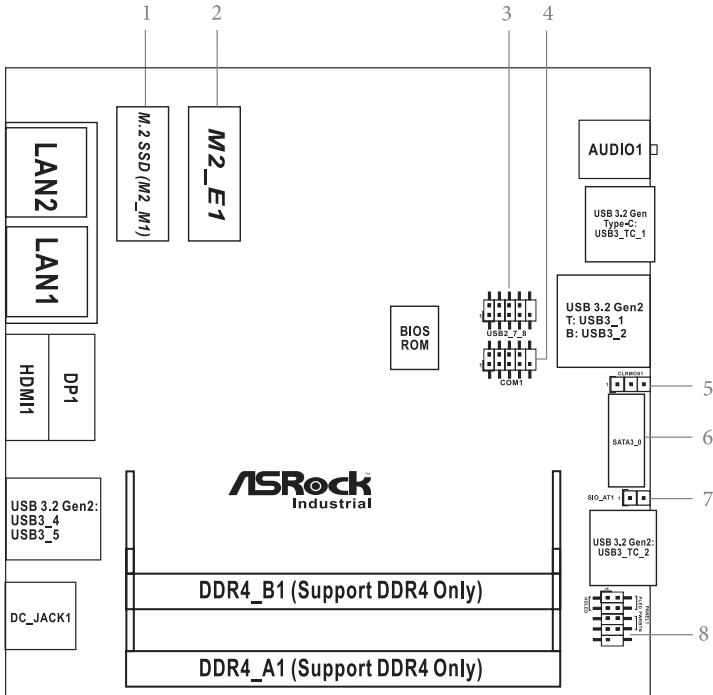


2. Push down until the modules snap into place.



# Chapter 4 Motherboard

## 4.1 Motherboard Layout



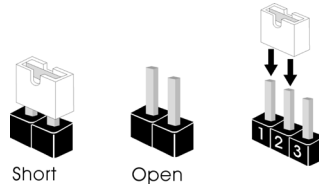
- 1 : M.2 Key-M Socket (M2\_M1)
- 2 : M.2 Key-E Socket (M2\_E1)
- 3 : USB2.0 Connector (USB2\_7\_8)
- 4 : COM Port Header (RS232)
- 5 : Clear CMOS Header (CLRCMOS1)
- 6 : SATA3 Port (SATA3\_0)
- 7 : SIO\_AT1
- 8 : System Panel Header (PANEL1)

### Back Side :

- Power Button (PWR\_BTN1)
- Fan Connector (FAN1)
- Battery Connector (BAT1)
- ESPI Connector (ESPI)

## 4.2 Jumpers Setup

The illustration shows how jumpers are setup. When the jumper cap is placed on pins, the jumper is “Short”. If no jumper cap is placed on pins, the jumper is “Open”. The illustration shows a 3-pin jumper whose pin1 and pin2 are “Short” when jumper cap is placed on these 2 pins.



### Clear CMOS Jumper

(3-pin CLR CMOS1)

(see p. 16, No. 5)



1-2: Auto Clear CMOS (Default)

2-3: Clear CMOS

**Note:** CLRCMOS1 allows you to clear the data in CMOS. To clear and reset the system parameters to default setup, please turn off the computer and unplug the power cord from the power supply. After waiting for 15 seconds, use a jumper cap to short pin2 and pin3 on CLRCMOS1 for 5 seconds. However, please do not clear the CMOS right after you update the BIOS. If you need to clear the CMOS when you just finish updating the BIOS, you must boot up the system first, and then shut it down before you do the clear-CMOS action. Please be noted that the password, date, time, user default profile and MAC address will be cleared only if the CMOS battery is removed.

CLRCMOS1 allows you to clear the data in CMOS automatically when AC power on. The data in CMOS includes system setup information such as system password, date, time, and system setup parameters. To clear and reset the system parameters to default setup, please turn off the computer and unplug the power cord, then use a jumper cap to short the pins on CLRCMOS1.

### SIO\_AT1

(2-pin SIO\_AT1)

(see p.16, No. 7)



Open: ATX Mode (Default)

Short: AT Mode

## 4.3 Onboard Headers and Connectors



Onboard headers and connectors are NOT jumpers. Do NOT place jumper caps over these headers and connectors. Placing jumper caps over the headers and connectors will cause permanent damage of the motherboard!

### SATA3 Connector

(SATA3\_0: see p.16, No. 6)

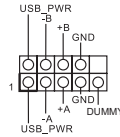


This Serial ATA3 (SATA3) connector supports SATA data cables for internal storage devices. The current SATA3 interface allows up to 6.0 Gb/s data transfer rate.

### USB 2.0 Connector

(9-pin USB2\_7\_8)

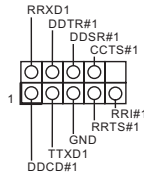
(see p.16, No. 3)



There is one USB 2.0 connector on this motherboard.

### COM Port Header (RS232)

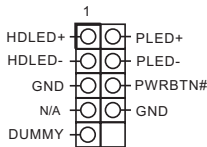
(9-pin COM1: see p.16, No. 4)



### System Panel Header

(9-pin PANEL1)

(see p.16, No. 8)



This header accommodates several system front panel functions.



Connect the power switch, reset switch and system status indicator on the chassis to this header according to the pin assignments below. Note the positive and negative pins before connecting the cables.

#### **PWRBTN (Power Switch):**

Connect to the power switch on the chassis front panel. You may configure the way to turn off your system using the power switch.

**PLED (System Power LED):**

Connect to the power status indicator on the chassis front panel. The LED is on when the system is operating. The LED keeps blinking when the system is in S1 sleep state. The LED is off when the system is in S4 sleep state or powered off (S5).

**HDLED (Hard Drive Activity LED):**

Connect to the hard drive activity LED on the chassis front panel. The LED is on when the hard drive is reading or writing data.

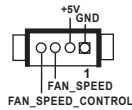
The front panel design may differ by chassis. A front panel module mainly consists of power switch, reset switch, power LED, hard drive activity LED, speaker and etc. When connecting your chassis front panel module to this header, make sure the wire assignments and the pin assignments are matched correctly.

**Back Side:**

Power Button Header  
(PWR\_BTN1)



Fan Connector  
(FAN1)



Battery Connector  
(BAT1)

ESPI Connector  
(ESPI1)

## 4.4 Expansion Slots (M.2 Slots)

There are 2 M.2 slots on this motherboard.

**M.2 for SSD:** 1 x M.2 (KEY M, 2242/2260/2280) with PCIe Gen4 x4 and SATA3 for SSD.

\* M.2 Key M 2280(Supported by bracket)

**M.2 for Wi-Fi:** 1 x M.2 (Key E, 2230) with PCIe x1, USB 2.0 and CNVi for Wireless.

**M.2 Key-M Socket (M2\_M1)**

Pin	Signal Name	Signal Name	Pin
1	GND	+3.3V	2
3	GND	+3.3V	4
5	PERn3	NC	6
7	PERp3	NC	8
9	GND	SATA_LED	10
11	PETn3	+3.3V	12
13	PETp3	+3.3V	14
15	GND	+3.3V	16
17	PERn2	+3.3V	18
19	PERp2	NA	20
21	GND	NA	22
23	PETn2	NA	24
25	PETp2	NA	26
27	GND	NA	28
29	PERn1	NA	30
31	PERp1	NA	32
33	GND	NA	34
35	PETn1	NA	36
37	PETp1	NA	38
39	GND	NA	40
41	PERn0/SATA-B+	NA	42
43	PERp0/SATA-B-	NA	44
45	GND	NA	46
47	PETn0/SATA-A-	NA	48
49	PETp0/SATA-A+	PERST#	50
51	GND	CLKREQ#	52
53	PEFCLKn	WAKE#	54
55	PEFCLKp	NA	56
57	GND	NA	58
59			60
61			62
63			64
65			66
67	NA	NA	68
69	PEDET	+3.3V	70
71	GND	+3.3V	72
73	GND	+3.3V	74
75	GND		

**M.2 Key-E Socket (M2\_E1)**

Pin	Signal Name	Signal Name	Pin
1	GND	+3.3V	2
3	USB_D+	+3.3V	4
5	USB_D-	NA	6
7	GND	NA	8
9	CNV_WGR_D1-	CNV_RF_RESET	10
11	CNV_WGR_D1+	NA	12
13	GND	MODEM_CLKREQ	14
15	CNV_WGR_D0-	NA	16
17	CNV_WGR_D0+	GND	18
19	GND	NA	20
21	CNV_WGR_CLK-	CNV_BRI_RSP	22
23	CNV_WGR_CLK+		
		CNV_BGL_DT	32
33	GND	CNV_RGI_RSP	34
35	PETp	CNV_BRI_DT	36
37	PETn	NA	38
39	GND	NA	40
41	PERp	NA	42
43	PERn	NA	44
45	GND	NA	46
47	PEFCLKp	NA	48
49	PEFCLKn	SUSCLK	50
51	GND	PERST0#	52
53	CLKREQ#	W_DISABLE1#	54
55	WAKE#	W_DISABLE2#	56
57	GND	NA	58
59	CNV_WT_D1-	NA	60
61	CNV_WT_D1+	NA	62
63	GND		64
65	CNV_WT_D0-	NA	66
67	CNV_WT_D0+	NA	68
69	GND	NA	70
71	CNV_WT_CLK-	+3.3V	72
73	CNV_WT_CLK+	+3.3V	74
75	GND		

# Chapter 5 UEFI Setup Utility

## 5.1 Introduction

This section explains how to use the UEFI SETUP UTILITY to configure your system. The UEFI chip on the motherboard stores the UEFI SETUP UTILITY. You may run the UEFI SETUP UTILITY when you start up the computer. Please press <F2> or <Del> during the Power-On-Self-Test (POST) to enter the UEFI SETUP UTILITY, otherwise, POST will continue with its test routines.

If you wish to enter the UEFI SETUP UTILITY after POST, restart the system by pressing <Ctl> + <Alt> + <Delete>, or by pressing the reset button on the system chassis. You may also restart by turning the system off and then back on.



Because the UEFI software is constantly being updated, the following UEFI setup screens and descriptions are for reference purpose only, and they may not exactly match what you see on your screen.

### 5.1.1 UEFI Menu Bar

The top of the screen has a menu bar with the following selections:

- Main**                To set up the system time/date information
- Advanced**        To set up the advanced UEFI features
- H/W Monitor**    To display current hardware status
- Security**         To set up the security features
- Boot**             To set up the default system device to locate and load the Operating System
- Exit**             To exit the current screen or the UEFI SETUP UTILITY

Use <←> key or <→> key to choose among the selections on the menu bar, and then press <Enter> to get into the sub screen. You can also use the mouse to click your required item.

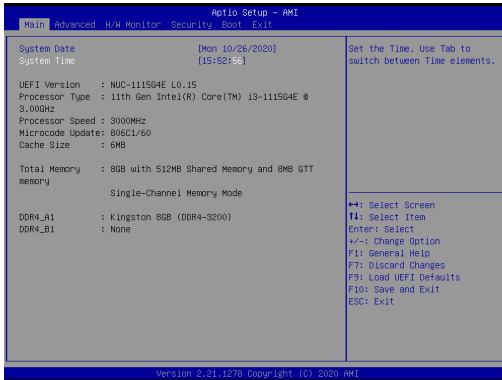
## 5.1.2 Navigation Keys

Please check the following table for the function description of each navigation key.

Navigation Key(s)	Function Description
← / →	Moves cursor left or right to select Screens
↑ / ↓	Moves cursor up or down to select items
+ / -	To change option for the selected items
<Enter>	To bring up the selected screen
<F1>	To display the General Help Screen
<F7>	Discard changes
<F9>	To load optimal default values for all the settings
<F10>	To save changes and exit the UEFI SETUP UTILITY
<F12>	Print screen
<ESC>	To jump to the Exit Screen or exit the current screen

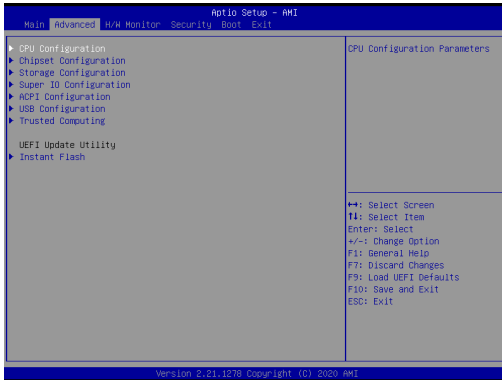
## 5.2 Main Screen

When you enter the UEFI SETUP UTILITY, the Main screen will appear and display the system overview.



## 5.3 Advanced Screen

In this section, you may set the configurations for the following items: CPU Configuration, Chipset Configuration, Storage Configuration, Super IO Configuration, ACPI Configuration, USB Configuration and Trusted Computing.

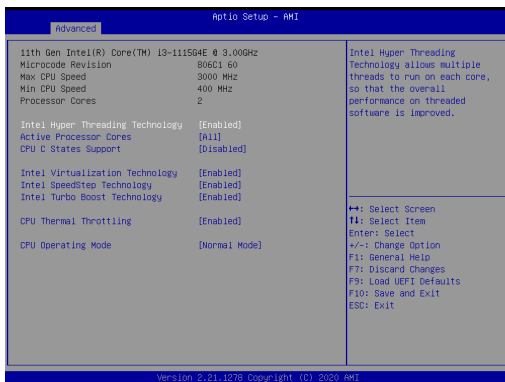


Setting wrong values in this section may cause the system to malfunction.

### Instant Flash

Instant Flash is a UEFI flash utility embedded in Flash ROM. This convenient UEFI update tool allows you to update system UEFI without entering operating systems first like MS-DOS or Windows®. Just launch this tool and save the new UEFI file to your USB flash drive, floppy disk or hard drive, then you can update your UEFI only in a few clicks without preparing an additional floppy diskette or other complicated flash utility. Please be noted that the USB flash drive or hard drive must use FAT32/16/12 file system. If you execute Instant Flash utility, the utility will show the UEFI files and their respective information. Select the proper UEFI file to update your UEFI, and reboot your system after UEFI update process completes.

## 5.3.1 CPU Configuration



### Intel Hyper-Threading Technology

To enable this feature, a computer system with an Intel processor that supports Hyper-Threading technology and an operating system that includes optimization for this technology, such as Microsoft® Windows® 10 64-bit / 8.1 64-bit / 7 32-bit / 7 64-bit is required. Set to [Enabled] if using Microsoft® Windows® 10 64-bit / 8.1 64-bit / 7 32-bit / 7 64-bit or Linux kernel version 2.4.18 or higher. This option will be hidden if the installed CPU does not support Hyper-Threading technology.

### Active Processor Cores

Select the number of cores to enable in each processor package.

### CPU C States Support

Enable CPU C States Support for power saving. It is recommended to keep C3, C6 and C7 all enabled for better power saving.

### Intel Virtualization Technology

When this option is set to [Enabled], a VMM (Virtual Machine Architecture) can utilize the additional hardware capabilities provided by Vanderpool Technology. This option will be hidden if the installed CPU does not support Intel Virtualization Technology.

### Intel SpeedStep Technology

Intel SpeedStep technology is Intel's new power saving technology. Processors can switch between multiple frequencies and voltage points to enable power saving. The default value is [Enabled]. Configuration options: [Enabled] and [Disabled]. If you install Windows® 10 64-bit / 8.1 64-bit / 7 32-bit / 7 64-bit and want to enable this function, please set this item to [Enabled]. This item will be hidden if the current CPU does not support Intel SpeedStep technology.



Please note that enabling this function may reduce CPU voltage and lead to system stability or compatibility issues with some power supplies. Please set this item to [Disabled] if above issues occur.

### **Intel Turbo Boost Technology**

Use this item to enable or disable Intel Turbo Boost Mode Technology. Turbo Boost Mode allows processor cores to run faster than marked frequency in specific conditions. The default value is [Enabled].

### **CPU Thermal Throttling**

You may select [Enabled] to enable CPU internal thermal control mechanism to keep the CPU from overheating.

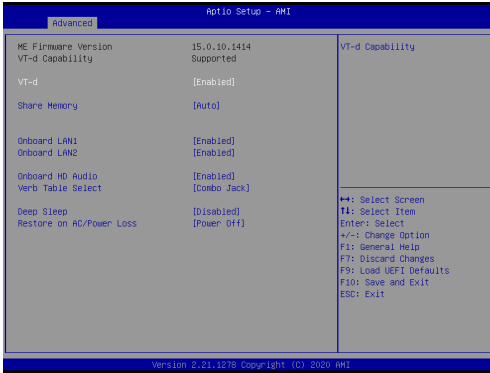
### **CPU Operation Mode**

Use this item to select CPU Operating Mode, [Normal Mode] or [Performance Mode]. The default mode is [Normal Mode].

If working at [Normal Mode], M/B works with default Smart Fan setting and can provide you better cooler experience.

If [Performance Mode] is selected, CPU can provide optimal performance, but the CPU fan speed will work at full speed.

## 5.3.2 Chipset Configuration



### VT-d

Use this to enable or disable Intel® VT-d technology (Intel® Virtualization Technology for Directed I/O). The default value of this feature is [Disabled].

### Share Memory

Configure the size of memory that is allocated to the integrated graphics processor when the system boots up.

### Onboard LAN1

This allows you to enable or disable the Onboard LAN1 feature.

### Onboard LAN2

This allows you to enable or disable the Onboard LAN2 feature.

### Onboard HD Audio

Enable/disable onboard HD audio. Set to Auto to enable onboard HD audio and automatically disable it when a sound card is installed.

### Verb Table Select

The default value is [Combo Jack].

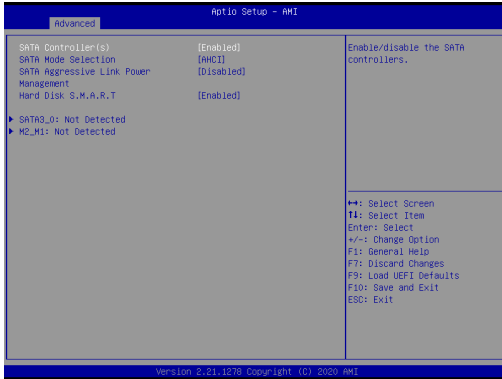
### Deep Sleep

Mobile platforms support Deep S4/S5 in DC only and desktop platforms support Deep S4/S5 in AC only. The default value is [Disabled].

### Restore on AC/Power Loss

Select the power state after a power failure. If [Power Off] is selected, the power will remain off when the power recovers. If [Power On] is selected, the system will start to boot up when the power recovers.

### 5.3.3 Storage Configuration



#### SATA Controller(s)

Use this item to enable or disable the SATA Controller feature.

#### SATA Mode Selection

Use this to select SATA mode. The default value is [AHCI Mode].



AHCI (Advanced Host Controller Interface) supports NCQ and other new features that will improve SATA disk performance but IDE mode does not have these advantages.

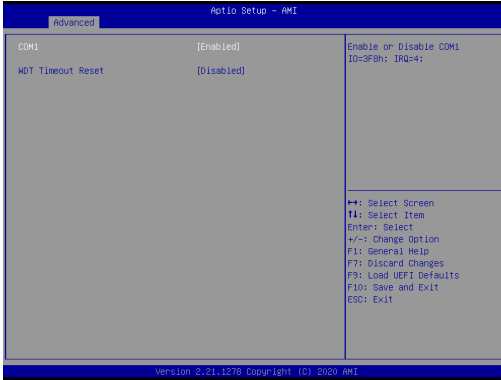
#### SATA Aggressive Link Power Management

Use this item to configure SATA Aggressive Link Power Management.

#### Hard Disk S.M.A.R.T.

Use this item to enable or disable the S.M.A.R.T. (Self-Monitoring, Analysis, and Reporting Technology) feature. Configuration options: [Disabled] and [Enabled].

## 5.3.4 Super IO Configuration



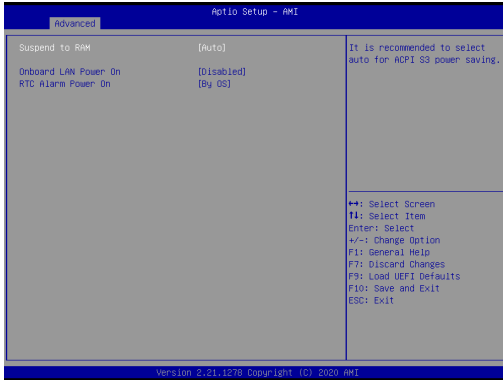
### COM1 Configuration

Use this to set parameters of COM1.

### WDT Timeout Reset

Use this to set the Watch Dog Timer.

### 5.3.5 ACPI Configuration



#### Suspend to RAM

Use this item to select whether to auto-detect or disable the Suspend-to-RAM feature. Select [Auto] will enable this feature if the OS supports it.

#### Onboard LAN Power On

Use this item to enable or disable onboard LAN to turn on the system from the power-soft-off mode.

#### RTC Alarm Power On

Use this item to enable or disable RTC (Real Time Clock) to power on the system.

## 5.3.6 USB Configuration



### Legacy USB Support

Enable or disable Legacy OS Support for USB 2.0 devices. If you encounter USB compatibility issues it is recommended to disable legacy USB support. Select UEFI Setup Only to support USB devices under the UEFI setup and Windows/Linux operating systems only.

### USB Power Control

Use this item to control USB power.

### 5.3.7 Trusted Computing

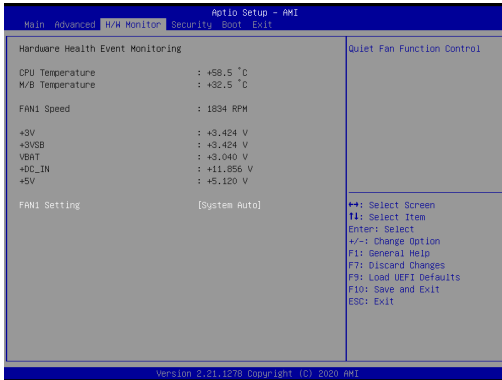


#### Security Device Support

Enable or disable BIOS support for security device.

## 5.4 Hardware Health Event Monitoring Screen

In this section, it allows you to monitor the status of the hardware on your system, including the parameters of the CPU temperature, motherboard temperature, CPU fan speed, chassis fan speed, and the critical voltage.

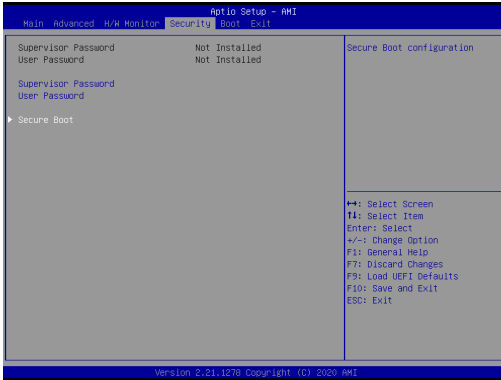


### FAN1 Setting

This allows you to set FAN1's speed. Configuration options: [Full On] and [Automatic Mode]. The default value is [Full On].

## 5.5 Security Screen

In this section, you may set, change or clear the supervisor/user password for the system.



### Supervisor Password

Set or change the password for the administrator account. Only the administrator has authority to change the settings in the UEFI Setup Utility. Leave it blank and press enter to remove the password.

### User Password

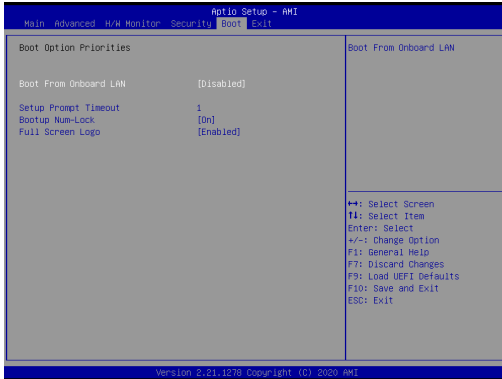
Set or change the password for the user account. Users are unable to change the settings in the UEFI Setup Utility. Leave it blank and press enter to remove the password.

### Secure Boot

Enable to support Windows 8.1 / 8 Secure Boot.

## 5.6 Boot Screen

In this section, it will display the available devices on your system for you to configure the boot settings and the boot priority.



### Boot From Onboard LAN

Use this item to enable or disable the Boot From Onboard LAN feature.

### Setup Prompt Timeout

This shows the number of seconds to wait for setup activation key. 65535(0XFFFF) means indefinite waiting.

### Bootup Num-Lock

If this item is set to [On], it will automatically activate the Numeric Lock function after boot-up.

### Full Screen Logo

Use this item to enable or disable OEM Logo. The default value is [Enabled].

## 5.7 Exit Screen



### Save Changes and Exit

When you select this option, it will pop-out the following message, “Save configuration changes and exit setup?” Select [OK] to save the changes and exit the UEFI SETUP UTILITY.

### Discard Changes and Exit

When you select this option, it will pop-out the following message, “Discard changes and exit setup?” Select [OK] to exit the UEFI SETUP UTILITY without saving any changes.

### Discard Changes

When you select this option, it will pop-out the following message, “Discard changes?” Select [OK] to discard all changes.

### Load UEFI Defaults

Load UEFI default values for all the setup questions. F9 key can be used for this operation.

### Launch EFI Shell from filesystem device

Attempts to Launch EFI Shell application (Shell64.efi) from one of the available filesystem devices.

---

# Chapter 6 Software Support

## 6.1 Install Operating System

This motherboard supports various Microsoft® Windows® operating systems:

10 64-bit. Because motherboard settings and hardware options vary, use the setup procedures in this chapter for general reference only. Refer your OS documentation for more information.