

# P330 Hardware Maintenance Manual

**ThinkStation**



**Lenovo**

**Machine Types (2nd Gen): 30D1, 30D2, and 30D4**

**Note:** Before using this information and the product it supports, be sure to read and understand the Chapter 1 “Read this first: Important safety information” on page 1 and Appendix G “Notices” on page 179.

**Third Edition (March 2020)**

**© Copyright Lenovo 2018, 2020.**

LIMITED AND RESTRICTED RIGHTS NOTICE: If data or software is delivered pursuant to a General Services Administration “GSA” contract, use, reproduction, or disclosure is subject to restrictions set forth in Contract No. GS-35F-05925.

---

# Contents

## About this manual . . . . . v

## Chapter 1. Read this first: Important safety information . . . . . 1

Power cords and power adapters . . . . .	1
General safety . . . . .	1
Electrical safety . . . . .	2
Safety inspection guide . . . . .	3
Handling electrostatic discharge-sensitive devices . . . . .	4
Grounding requirements . . . . .	5
Safety notices (multi-lingual translations) . . . . .	5

## Chapter 2. Product overview . . . . . 29

Hardware locations . . . . .	29
Front view . . . . .	29
Rear view . . . . .	30
Computer components . . . . .	33
Major FRUs and CRUs . . . . .	34
Parts on the system board . . . . .	37
Internal storage drives . . . . .	38
Machine type and model label . . . . .	39
Computer features . . . . .	40
Computer specifications . . . . .	43
Programs . . . . .	43
Accessing a program on your computer . . . . .	43
An introduction to Lenovo programs . . . . .	44

## Chapter 3. Using your computer . . . . . 45

Registering your computer . . . . .	45
Setting the computer volume . . . . .	45
Using a disc . . . . .	45
Guidelines about using the optical drive . . . . .	45
Handling and storing a disc . . . . .	45
Playing and removing a disc . . . . .	46
Recording a disc . . . . .	46
Connecting to a network . . . . .	47

## Chapter 4. You and your computer . . . . . 49

Arranging your workspace . . . . .	49
Glare and lighting . . . . .	49
Air circulation . . . . .	49
Electrical outlet locations and cable lengths . . . . .	49
Comfort . . . . .	49
Accessibility information . . . . .	50
Cleaning your computer . . . . .	53
Maintenance . . . . .	53

Basic maintenance tips . . . . .	53
Good maintenance practices . . . . .	53
Keeping your computer current . . . . .	54
Moving your computer . . . . .	54

## Chapter 5. Security . . . . . 55

Locking your computer . . . . .	55
Enabling or disabling the E-lock . . . . .	55
Locking the computer cover . . . . .	55
Attaching a Kensington-style cable lock . . . . .	57
Attaching a cable lock . . . . .	57
Viewing and changing security settings in the Setup Utility program . . . . .	58
Using passwords and Windows accounts . . . . .	58
Using the cover presence switch . . . . .	59
Using firewalls . . . . .	59
Protecting data against viruses . . . . .	59
Using the Smart USB Protection function . . . . .	60
Computrace Agent software embedded in firmware (for selected models) . . . . .	60
Trusted Platform Module (TPM) . . . . .	60

## Chapter 6. Advanced configuration . . . . . 61

Using the Setup Utility program . . . . .	61
Starting the Setup Utility program . . . . .	61
Changing the display language of the Setup Utility program . . . . .	61
Enabling or disabling a device . . . . .	61
Enabling or disabling the automatic power-on of your computer . . . . .	62
Enabling or disabling the ErP LPS compliance mode . . . . .	62
Switching between better acoustic and better thermal performance . . . . .	62
Enabling or disabling the system to record thermal alert logs . . . . .	63
Enabling or disabling the configuration change detection . . . . .	63
Changing the BIOS settings before installing a new operating system . . . . .	63
Using BIOS passwords . . . . .	64
Selecting a startup device . . . . .	65
Exiting the Setup Utility program . . . . .	66
BIOS level . . . . .	66
Updating and recovering the BIOS . . . . .	67
Configuring RAID . . . . .	68
An Introduction to RAID . . . . .	68
RAID Level . . . . .	68

Configuring the system BIOS to enable SATA RAID functionality . . . . .	68	Power supply assembly . . . . .	111
Configuring RAID in UEFI mode . . . . .	69	Storage drive in the storage drive bay . . . . .	113
Configuring RAID in legacy mode . . . . .	70	Storage drive cage . . . . .	122
<b>Chapter 7. Troubleshooting, diagnostics, and recovery . . . . .</b>	<b>71</b>	E-lock . . . . .	126
Basic procedure for resolving computer problems . . . . .	71	Power button . . . . .	127
Troubleshooting . . . . .	71	Card reader . . . . .	129
Startup problems . . . . .	71	Front audio and USB assembly . . . . .	133
Audio problems . . . . .	72	ThinkStation LED . . . . .	134
CD or DVD problems . . . . .	73	Thermal sensor . . . . .	137
Intermittent problems . . . . .	74	Internal speaker . . . . .	139
Storage drive problems . . . . .	74	Wi-Fi units . . . . .	141
Ethernet LAN problems . . . . .	74	Heat-sink-and-fan assembly . . . . .	149
Wireless LAN problem . . . . .	75	Microprocessor . . . . .	150
Bluetooth problems . . . . .	76	System board . . . . .	152
Performance problems . . . . .	76	Completing the parts replacement . . . . .	155
Serial connector problem . . . . .	77	<b>Chapter 10. Getting information, help, and service . . . . .</b>	<b>.159</b>
USB device problems . . . . .	78	Information resources . . . . .	159
Software and driver problems . . . . .	78	Accessing the user guide in various languages . . . . .	159
Diagnosing problems . . . . .	78	Windows help system . . . . .	159
UEFI diagnostic program . . . . .	79	Safety and warranty . . . . .	159
Recovery information . . . . .	80	Lenovo Web site . . . . .	159
<b>Chapter 8. Service checkout and symptom-to-FRU index . . . . .</b>	<b>83</b>	Lenovo Support Web site . . . . .	159
Service checkout . . . . .	83	Help and service . . . . .	160
Problem determination tips . . . . .	83	Calling for service . . . . .	160
Symptom-to-FRU index . . . . .	84	Using other services . . . . .	160
Hard disk drive boot error . . . . .	84	Purchasing additional services . . . . .	161
Power supply problems . . . . .	85	<b>Appendix A. System memory speed . . . . .</b>	<b>.163</b>
Beep symptoms . . . . .	85	<b>Appendix B. Supplemental information about the Ubuntu operating system . . . . .</b>	<b>.165</b>
POST error codes . . . . .	86	<b>Appendix C. Regulatory information of countries and regions . . . . .</b>	<b>.167</b>
Miscellaneous error conditions . . . . .	87	<b>Appendix D. WEEE and recycling information of countries and regions . . . . .</b>	<b>.171</b>
Undetermined problems . . . . .	89	<b>Appendix E. Restriction of Hazardous Substances (RoHS) Directive of countries and regions . . . . .</b>	<b>.175</b>
<b>Chapter 9. Hardware removal and installation . . . . .</b>	<b>91</b>	<b>Appendix F. ENERGY STAR model information . . . . .</b>	<b>.177</b>
Customer Replaceable Units . . . . .	91	<b>Appendix G. Notices . . . . .</b>	<b>.179</b>
Handling static-sensitive devices . . . . .	92		
Preparing your computer . . . . .	92		
Removing and installing hardware . . . . .	94		
External options . . . . .	94		
PCIe card . . . . .	94		
M.2 solid-state drive . . . . .	96		
Memory module . . . . .	103		
Slim optical drive . . . . .	105		
Coin-cell battery . . . . .	108		
Cover presence switch . . . . .	109		





**Appendix H. Trademarks . . . . .181**



---

## About this manual

This manual provides service and reference information for ThinkStation® computers listed on the front cover.

Use this manual along with the advanced diagnostic tests to troubleshoot problems.

**Important:** This manual is intended only for trained service technicians who are familiar with ThinkStation computers. Use this manual along with the advanced diagnostic tests to troubleshoot problems effectively. Before servicing a ThinkStation computer, be sure to read and understand Chapter 1 “Read this first: Important safety information” on page 1.



---

## Chapter 1. Read this first: Important safety information

This chapter contains the safety information that you must be familiar with.

---

### Power cords and power adapters

Use only the power cords and power adapters supplied by the product manufacturer. Do not use the ac power cord for other devices.

The power cords shall be safety approved. For Germany, it shall be H05VV-F, 3G, 0.75 mm<sup>2</sup>, or better. For other countries, the suitable types shall be used accordingly.

Never wrap a power cord around a power adapter or other object. Doing so can stress the cord in ways that can cause the cord to fray, crack, or crimp. This can present a safety hazard.

Always route power cords so that they will not be walked on, tripped over, or pinched by objects.

Protect power cord and power adapters from liquids. For instance, do not leave your power cord or power adapter near sinks, tubs, toilets, or on floors that are cleaned with liquid cleansers. Liquids can cause a short circuit, particularly if the power cord or power adapter has been stressed by misuse. Liquids also can cause gradual corrosion of power cord terminals and/or the connector terminals on a power adapter, which can eventually result in overheating.

Ensure that all power cord connectors are securely and completely plugged into receptacles.

Do not use any power adapter that shows corrosion at the ac input pins or shows signs of overheating (such as deformed plastic) at the ac input or anywhere on the power adapter.

Do not use any power cords where the electrical contacts on either end show signs of corrosion or overheating or where the power cord appears to have been damaged in any way.

---

### General safety

Follow these rules to ensure general safety:

- Observe good housekeeping in the area of the machines during and after maintenance.
- When lifting any heavy object:
  1. Ensure you can stand safely without slipping.
  2. Distribute the weight of the object equally between your feet.
  3. Use a slow lifting force. Never move suddenly or twist when you attempt to lift.
  4. Lift by standing or by pushing up with your leg muscles; this action removes the strain from the muscles in your back.

**Attention:** Do not attempt to lift any objects that weigh more than 16 kg (35 lb) or objects that you think are too heavy for you.

- Do not perform any action that causes hazards to the customer, or that makes the equipment unsafe.
- Before you start the machine, ensure that other service representatives and the customer's personnel are not in a hazardous position.
- Place removed covers and other parts in a safe place, away from all personnel, while you are servicing the machine.

- Keep your tool case away from walk areas so that other people will not trip over it.
- Do not wear loose clothing that can be trapped in the moving parts of a machine. Ensure that your sleeves are fastened or rolled up above your elbows. If your hair is long, fasten it.
- Insert the ends of your necktie or scarf inside clothing or fasten it with a nonconductive clip, approximately 8 centimeters (3 inches) from the end.
- Do not wear jewelry, chains, metal-frame eyeglasses, or metal fasteners for your clothing.  
**Remember:** Metal objects are good electrical conductors.
- Wear safety glasses when you are: hammering, drilling, soldering, cutting wire, attaching springs, using solvents, or working in any other conditions that might be hazardous to your eyes.
- After service, reinstall all safety shields, guards, labels, and ground wires. Replace any safety device that is worn or defective.
- Reinstall all covers correctly before returning the machine to the customer.

**CAUTION:**



**Keep fingers and other parts of your body away from hazardous, moving parts. If you suffer an injury, seek medical care immediately.**

**CAUTION:**



**Avoid contact with hot components inside the computer. During operation, some components become hot enough to burn the skin. Before you open the computer cover, turn off the computer, disconnect power, and wait approximately 10 minutes for the components to cool.**

## Electrical safety



**CAUTION:**

**Electrical current from power, telephone, and communication cables can be hazardous. To avoid personal injury or equipment damage, disconnect the attached power cords, telecommunication systems, networks, and modems before you open the computer covers, unless instructed otherwise in the installation and configuration procedures.**

Observe the following rules when working on electrical equipment.

**Important:** Use only approved tools and test equipment. Some hand tools have handles covered with a soft material that does not insulate you when working with live electrical currents. Many customers have, near their equipment, rubber floor mats that contain small conductive fibers to decrease electrostatic discharges. Do not use this type of mat to protect yourself from electrical shock.

- Find the room emergency power-off (EPO) switch, disconnecting switch, or electrical outlet. If an electrical accident occurs, you can then operate the switch or unplug the power cord quickly.
- Do not work alone under hazardous conditions or near equipment that has hazardous voltages.
- Disconnect all power before:
  - Performing a mechanical inspection
  - Working near power supplies
  - Removing or installing Field Replaceable Units (FRUs)

- Before you start to work on the machine, unplug the power cord. If you cannot unplug it, ask the customer to power-off the wall box that supplies power to the machine and to lock the wall box in the off position.
- If you need to work on a machine that has exposed electrical circuits, observe the following precautions:
  - Ensure that another person, familiar with the power-off controls, is near you.  
**Remember:** Another person must be there to switch off the power, if necessary.
  - Use only one hand when working with powered-on electrical equipment; keep the other hand in your pocket or behind your back.  
**Remember:** There must be a complete circuit to cause electrical shock. By observing the above rule, you may prevent a current from passing through your body.
  - When using a tester, set the controls correctly and use the approved probe leads and accessories for that tester.
  - Stand on suitable rubber mats (obtained locally, if necessary) to insulate you from grounds such as metal floor strips and machine frames.

Observe the special safety precautions when you work with very high voltages; these instructions are in the safety sections of maintenance information. Use extreme care when measuring high voltages.

- Regularly inspect and maintain your electrical hand tools for safe operational condition.
- Do not use worn or broken tools and testers.
- *Never assume* that power has been disconnected from a circuit. First, *check* that it has been powered-off.
- Always look carefully for possible hazards in your work area. Examples of these hazards are moist floors, nongrounded power extension cables, power surges, and missing safety grounds.
- Do not touch live electrical circuits with the reflective surface of a plastic dental mirror. The surface is conductive; such touching can cause personal injury and machine damage.
- Do not service the following parts with the power on when they are removed from their normal operating places in a machine:
  - Power supply units
  - Pumps
  - Blowers and fans
  - Motor generators
 and similar units. (This practice ensures correct grounding of the units.)
- If an electrical accident occurs:
  - Use caution; do not become a victim yourself.
  - Switch off power.
  - Send another person to get medical aid.

---

## Safety inspection guide

The intent of this inspection guide is to assist you in identifying potentially unsafe conditions on these products. Each machine, as it was designed and built, had required safety items installed to protect users and service personnel from injury. This guide addresses only those items. However, good judgment should be used to identify potential safety hazards due to attachment of features or options not covered by this inspection guide.

If any unsafe conditions are present, you must determine how serious the apparent hazard could be and whether you can continue without first correcting the problem.

Consider these conditions and the safety hazards they present:



- Electrical hazards, especially primary power (primary voltage on the frame can cause serious or fatal electrical shock).
- Explosive hazards, such as a damaged CRT face or bulging capacitor
- Mechanical hazards, such as loose or missing hardware

The guide consists of a series of steps presented in a checklist. Begin the checks with the power off, and the power cord disconnected.

Checklist:

1. Check exterior covers for damage (loose, broken, or sharp edges).
2. Power-off the computer. Disconnect the power cord.
3. Check the power cord for:
  - a. A third-wire ground connector in good condition. Use a meter to measure third-wire ground continuity for 0.1 ohm or less between the external ground pin and frame ground.
  - b. The power cord should be the appropriate type as specified in the parts listings.
  - c. Insulation must not be frayed or worn.
4. Remove the cover.
5. Check for any obvious alterations. Use good judgment as to the safety of any alterations.
6. Check inside the unit for any obvious unsafe conditions, such as metal filings, contamination, water or other liquids, or signs of fire or smoke damage.
7. Check for worn, frayed, or pinched cables.
8. Check that the power-supply cover fasteners (screws or rivets) have not been removed or tampered with.

---

## Handling electrostatic discharge-sensitive devices

Any computer part containing transistors or integrated circuits (ICs) should be considered sensitive to electrostatic discharge (ESD). ESD damage can occur when there is a difference in charge between objects. Protect against ESD damage by equalizing the charge so that the machine, the part, the work mat, and the person handling the part are all at the same charge.

### Notes:

1. Use product-specific ESD procedures when they exceed the requirements noted here.
2. Make sure that the ESD protective devices you use have been certified (ISO 9000) as fully effective.

When handling ESD-sensitive parts:

- Keep the parts in protective packages until they are inserted into the product.
- Avoid contact with other people while handling the part.
- Wear a grounded wrist strap against your skin to eliminate static on your body.
- Prevent the part from touching your clothing. Most clothing is insulative and retains a charge even when you are wearing a wrist strap.
- Use the black side of a grounded work mat to provide a static-free work surface. The mat is especially useful when handling ESD-sensitive devices.
- Select a grounding system, such as those listed below, to provide protection that meets the specific service requirement.

**Note:** The use of a grounding system is desirable but not required to protect against ESD damage.

- Attach the ESD ground clip to any frame ground, ground braid, or green-wire ground.
- Use an ESD common ground or reference point when working on a double-insulated or battery-operated system. You can use coax or connector-outside shells on these systems.
- Use the round ground-prong of the ac plug on ac-operated computers.

---

## Grounding requirements

Electrical grounding of the computer is required for operator safety and correct system function. Proper grounding of the electrical outlet can be verified by a certified electrician.

---

## Safety notices (multi-lingual translations)

The caution and danger safety notices in this section are provided in the following languages:

- English
- Arabic
- Brazilian/Portuguese
- Chinese (simplified)
- Chinese (traditional)
- French
- German
- Hebrew
- Italian
- Korean
- Spanish



### DANGER

Electrical current from power, telephone and communication cables is hazardous.

#### To avoid a shock hazard:

- **Do not connect or disconnect any cables or perform installation, maintenance, or reconfiguration of this product during an electrical storm.**
- **Connect all power cords to a properly wired and grounded electrical outlet.**
- **Connect to properly wired outlets any equipment that will be attached to this product.**
- **When possible, use one hand only to connect or disconnect signal cables.**
- **Never turn on any equipment when there is evidence of fire, water, or structural damage.**
- **Disconnect the attached power cords, telecommunications systems, networks, and modems before you open the device covers, unless instructed otherwise in the installation and configuration procedures.**
- **Connect and disconnect cables as described in the following tables when installing, moving, or opening covers on this product or attached devices.**

To Connect	To Disconnect
<ol style="list-style-type: none"> <li>1. Turn everything OFF.</li> <li>2. First, attach all cables to devices.</li> <li>3. Attach signal cables to connectors.</li> <li>4. Attach power cords to outlet.</li> <li>5. Turn device ON.</li> </ol>	<ol style="list-style-type: none"> <li>1. Turn everything OFF.</li> <li>2. First, remove power cords from outlet.</li> <li>3. Remove signal cables from connectors.</li> <li>4. Remove all cables from devices.</li> </ol>



**CAUTION:**

When replacing the lithium battery, use only Part Number 45C1566 or an equivalent type battery recommended by the manufacturer. If your system has a module containing a lithium battery, replace it only with the same module type made by the same manufacturer. The battery contains lithium and can explode if not properly used, handled, or disposed of. *Do not:*

- Throw or immerse into water
- Heat to more than 100°C (212°F)
- Repair or disassemble

Dispose of the battery as required by local ordinances or regulations.



**CAUTION:**

When laser products (such as CD-ROMs, DVD-ROM drives, fiber optic devices, or transmitters) are installed, note the following:

- Do not remove the covers. Removing the covers of the laser product could result in exposure to hazardous laser radiation. There are no serviceable parts inside the device.
- Use of controls or adjustments or performance of procedures other than those specified herein might result in hazardous radiation exposure.



**DANGER**

Some laser products contain an embedded Class 3A or Class 3B laser diode. Note the following: Laser radiation when open. Do not stare into the beam, do not view directly with optical instruments, and avoid direct exposure to the beam.





≥18 kg (37 lb)



≥32 kg (70.5 lb)

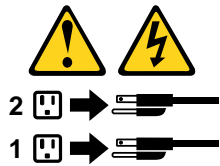


≥55 kg (121.2 lb)

**CAUTION:**  
Use safe practices when lifting.



**CAUTION:**  
The power control button on the device and the power switch on the power supply do not turn off the electrical current supplied to the device. The device also might have more than one power cord. To remove all electrical current from the device, ensure that all power cords are disconnected from the power source.



التيار الكهربائي الموجود بمصدر الطاقة أو أجهزة التليفون أو أسلاك الاتصالات يشكل خطورة.

لتفادي مخاطر الصدمات الكهربائية:

لا تحاول توصيل أو فصل أي أسلاك أو القيام بعمليات تركيب أو صيانة أو إعادة توصيف لهذا المنتج أثناء وجود عاصفة كهربائية.

يجب توصيل كل أسلاك الكهرباء في مخارج كهرباء ذات توصيلات أسلاك وتوصيلات أرضية صحيحة  
يجب توصيل أي جهاز سيتم الحاقه بهذا المنتج في مخارج كهرباء ذات توصيلات أسلاك صحيحة.

وإن أمكن يجب استخدام يد واحدة فقط في توصيل أو فصل أسلاك الإشارة.

لا تحاول تشغيل أي جهاز إذا كان هناك أثر لحرق أو مياه أو تلف بالمكونات

يجب فصل أسلاك الكهرباء وأنظمة الاتصالات وشبكات الاتصال وأجهزة المودم الملحقة قبل فتح أغطية الجهاز، ما لم يتم طلب خلاف ذلك في التعليمات الخاصة بالتركيب والتوصيف.  
قم بتوصيل وفصل الأسلاك كما هو موضح في الجدول التالي وذلك عند القيام بعمليات التركيب أو النقل أو فتح أغطية هذا المنتج أو الأجهزة الملحقة.

#### للفصل:

- قم بإيقاف كل شيء.
- أولاً، قم بفصل كل أسلاك الكهرباء من المخرج.
- قم بفصل أسلاك الإشارة من الموصلات.
- قم بفصل كل الأسلاك من الأجهزة.

#### للتوصيل:

- قم بإيقاف كل شيء.
- أولاً، قم بتوصيل كل الأسلاك بالأجهزة.
- قم بتوصيل أسلاك الإشارة في الموصلات.
- قم بتوصيل أسلاك الكهرباء في المخرج.
- قم بتشغيل الجهاز.



#### تنبيه :

عند استبدال البطارية الليثيوم، استخدم فقط رقم الجزء الخاص **Part Number 45C1566** أو نوع آخر يكون على نفس مستوى الكفاءة يحدده لك المصنع.

إذا كان النظام الخاص يستخدم معه بطارية ليثيوم قم باستبدالها بنفس النوع الذي تم صناعته من خلال نفس المصنع. تحتوي البطارية على مادة الليثيوم ويمكن أن تنفجر في حالة عدم استخدامها أو التعامل معها بطريقة صحيحة أو عند التخلص منها بطريقة خطأ.

لا تقم بـ:

- القاء البطارية أو غمرها في الماء
- تسخينها أعلى من ١٠٠ درجة مئوية (٢١٢ ° فهرنهايت)
- بتصليحها أو فكها

تخلص من البطارية طبقاً للقانون أو النظام المحلي .



تنبيه :  
أثناء تركيب منتجات ليزر (مثل CD-ROMs أو وحدة تشغيل DVD أو أجهزة Fiber Optic أو وحدات الإرسال) يجب مراعاة الآتي:

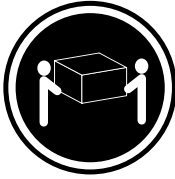
لا تنزع الأغطية. قد ينتج عن نزع أغطية منتج الليزر انفجار أشعة الليزر شديدة الخطورة.  
لا يوجد أجزاء يمكن تغييرها داخل الجهاز. قد ينتج عن استخدام تحكيمات أو تعديلات أو عمل أي تصرفات أخرى تخالف ما هو محدد هنا إلى انفجار أشعة شديدة الخطورة.



خطر

تحتوي بعض منتجات الليزر على الفئة دايود ليزر مدمج من الفئة Class 3A أو Class 3B. يجب مراعاة الآتي .

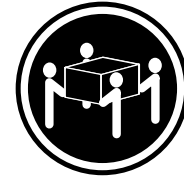
أشعة الليزر عند الفتح. لا تحديق إلى الإشعاع و لا تنظر اليه مباشرة بواسطة أي أجهزة مرئية وتجنب التعرض المباشر للإشعاع .



≥18 kg (37 lb)



≥32 kg (70.5 lb)



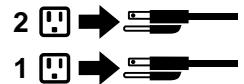
≥55 kg (121.2 lb)

تنبيه :  
يجب استخدام ممارسات أمانة عند الرفع



تنبيه :

لا يقيم زر التحكم في التشغيل الموجود على الجهاز والمفتاح الكهربائي الموجود على لوحة التحكم بإيقاف التيار الكهربائي المار بالجهاز. قد يكون للجهاز أكثر من سلك كهربائي واحد. لإيقاف التيار الكهربائي المار بالجهاز، تأكد من فصل جميع أسلاك الكهرباء من مصدر الكهرباء .



## PERIGO

A corrente elétrica proveniente de cabos de alimentação, de telefone e de comunicações é perigosa.

Para evitar risco de choque elétrico:

- Não conecte nem desconecte nenhum cabo ou execute instalação, manutenção ou reconfiguração deste produto durante uma tempestade com raios.
- Conecte todos os cabos de alimentação a tomadas elétricas corretamente instaladas e aterradas.
- Todo equipamento que for conectado a este produto deve ser conectado a tomadas corretamente instaladas.
- Quando possível, utilize apenas uma das mãos para conectar ou desconectar cabos de sinal.
- Nunca ligue nenhum equipamento quando houver evidência de fogo, água ou danos estruturais.
- Antes de abrir tampas de dispositivos, desconecte cabos de alimentação, sistemas de telecomunicação, redes e modems conectados, a menos que especificado de maneira diferente nos procedimentos de instalação e configuração.
- Conecte e desconecte os cabos conforme descrito na tabela apresentada a seguir ao instalar, mover ou abrir tampas deste produto ou de dispositivos conectados.

Para Conectar:	Para Desconectar:
<ol style="list-style-type: none"><li>1. DESLIGUE Tudo.</li><li>2. Primeiramente, conecte todos os cabos aos dispositivos.</li><li>3. Conecte os cabos de sinal aos conectores.</li><li>4. Conecte os cabos de alimentação às tomadas.</li><li>5. LIGUE os dispositivos.</li></ol>	<ol style="list-style-type: none"><li>1. DESLIGUE Tudo.</li><li>2. Primeiramente, remova os cabos de alimentação das tomadas.</li><li>3. Remova os cabos de sinal dos conectores.</li><li>4. Remova todos os cabos dos dispositivos.</li></ol>



### CUIDADO:

**Ao substituir a bateria de lítio, utilize apenas uma bateria com Número de Peça 45C1566 ou um tipo de bateria equivalente recomendado pelo Se o seu sistema possui um módulo com uma bateria de lítio, substitua-o apenas por um módulo do mesmo tipo e do mesmo fabricante. A bateria contém lítio e pode explodir se não for utilizada, manuseada ou descartada de maneira correta.**

Não:

- Jogue ou coloque na água
- Aqueça a mais de 100°C (212°F)
- Conserte nem desmonte

Descarte a bateria conforme requerido pelas leis ou regulamentos locais.



### PRECAUCIÓN:



Quando produtos a laser (como unidades de CD-ROMs, unidades de DVD-ROM, dispositivos de fibra ótica ou transmissores) estiverem instalados, observe o seguinte:

- Não remova as tampas. A remoção das tampas de um produto a laser pode resultar em exposição prejudicial à radiação de laser. Não existem peças que podem ser consertadas no interior do dispositivo.
- A utilização de controles ou ajustes ou a execução de procedimentos diferentes dos especificados aqui pode resultar em exposição prejudicial à radiação.

## PERIGO

Alguns produtos a laser contêm diodo de laser integrado da Classe 3A ou da Classe 3B. Observe o seguinte:

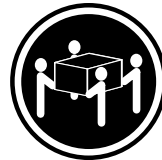
Radiação a laser quando aberto. Não olhe diretamente para o feixe a olho nu ou com instrumentos ópticos e evite exposição direta ao feixe.



≥18 kg (37 lb)



≥32 kg (70.5 lb)



≥55 kg (121.2 lb)

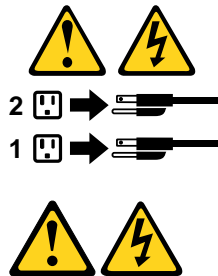
## CUIDADO:

Utilize procedimentos de segurança para levantar equipamentos.



## CUIDADO:

O botão de controle de alimentação do dispositivo e o botão para ligar/desligar da fonte de alimentação não desligam a corrente elétrica fornecida ao dispositivo. O dispositivo também pode ter mais de um cabo de alimentação. Para remover toda a corrente elétrica do dispositivo, assegure que todos os cabos de alimentação estejam desconectados da fonte de alimentação.



危险

电源、电话和通信电缆中的电流是危险的。

为避免电击危险：

- 请勿在雷电期间连接或断开任何电缆的连接，或者对本产品进行安装、维护或重新配置。
- 将所有电源线连接到正确连线和妥善接地的电源插座。
- 将所有要连接到该产品的设备连接到正确连线的插座。
- 如果可能，请仅使用一只手来连接或断开信号电缆的连接。
- 切勿在有火、水、结构损坏迹象的情况下开启任何设备。
- 在打开设备外盖之前请断开已连接的电源线、远程通信系统、网络和调制解调器，除非在安装和配置过程中另有说明。
- 当安装、移动或打开该产品或连接设备的外盖时，请按照下表所述来连接或断开电缆的连接。

要连接	要断开连接
<ol style="list-style-type: none"> <li>1. 切断所有电源。</li> <li>2. 首先将所有电缆连接到设备。</li> <li>3. 将信号电缆连接到接口。</li> <li>4. 将电源线连接到插座。</li> <li>5. 开启设备。</li> </ol>	<ol style="list-style-type: none"> <li>1. 切断所有电源。</li> <li>2. 首先从插座上拔出电源线。</li> <li>3. 从接口上拔出信号电缆。</li> <li>4. 从设备上拔出所有电缆。</li> </ol>



警告：

更换锂电池时，请仅使用部件号为 45C1566 的电池或制造商推荐的同类电池。如果您的系统有包含锂电池的模块，请仅使用同一制造商生产的相同模块类型来替换该模块。该电池中含有锂，如果使用、操作或处理不当，可能会发生爆炸。

切勿：

- 投入或浸入水中
- 加热到 100 °C (212 °F) 以上
- 维修或拆卸

请按照当地法令或条例的要求处理电池。



警告：

安装激光产品（例如 CD-ROM、DVD-ROM 驱动器、光纤设备或发射设备）时，请注意以下声明：

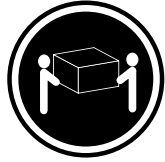
- 请勿卸下外盖。卸下激光产品的外盖可能导致遭受激光辐射的危险。该设备内没有可维修的部件。
- 如果不按照此处指定的过程进行控制、调整或操作，则有可能导致遭受辐射的危险。



危险

某些激光产品包含嵌入式 3A 类或 3B 类激光二极管。请注意以下声明：

打开后有激光辐射。请勿注视光束，请勿直接用光学仪器查看，并请避免直接暴露在光束中。

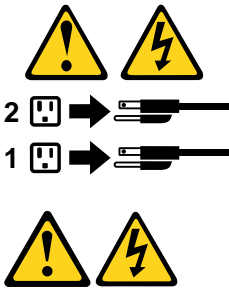


≥18 千克 (37 磅)    ≥32 千克 (70.5 磅)    ≥55 千克 (121.2 磅)

警告：  
抬起时请采取安全措施。



警告：  
设备上的电源控制按钮和电源上的电源开关不会切断供给该设备的电流。该设备还可能有多条电源线。要切断该设备的所有电流，请确保所有电源线都与电源断开连接。



## 危險

電源、電話及通訊纜線上的電流都具有危險性。

若要避免觸電危險：

- 請勿在雷雨期間，連接或拔除纜線、執行安裝、維護或重新配置本產品。
- 將所有電源線連接到正確配線及接地的電源插座。
- 任何與本產品連接的設備都必須連接到配線妥當的電源插座。
- 請盡可能用單手連接或拔除信號線。
- 發生火災、水災或結構損害時，絕對不要開啟任何設備。
- 除非在安裝及配置程序中另有指示，否則在開啟裝置機蓋之前，請拔掉連接的電源線、電信系統、網路及數據機。
- 安裝、移動或開啟本產品或附屬裝置的機蓋時，請遵循下列說明連接及拔掉纜線。

連線	切斷連線
<ol style="list-style-type: none"><li>1. 關閉所有開關。</li><li>2. 首先，連接所有接線到裝置。</li><li>3. 連接信號線到接頭。</li><li>4. 連接電源線到插座。</li><li>5. 開啟裝置。</li></ol>	<ol style="list-style-type: none"><li>1. 關閉所有開關。</li><li>2. 首先，拔掉插座上的電源線。</li><li>3. 拔掉接頭上的信號線。</li><li>4. 拔掉裝置上所有接線。</li></ol>



### 警告：

更換鋰電池時，請僅使用產品編號 **45C1566** 或製造商所建議的同類型電池。  
如果您的系統中含有鋰電池模組，請僅使用同一家製造商所生產的相同模組進行更換。  
如果未以正確方式使用、處理或棄置含鋰的電池，會有爆炸的危險。

請勿：

- 沾溼或浸入水中
  - 置於 **100°C (212°F)** 以上的高溫環境
  - 修理或拆開
- 請按照各地區有關廢棄電池的法令和規定處理舊電池。



### 警告：

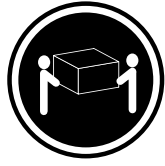
- 請勿移除機蓋。移除雷射產品的機蓋，可能會導致暴露在危險的雷射輻射中。裝置內部並無可自行維修的零件。
- 利用或執行非本文中所指定的控制、調整及執行程序，可能會導致危險的輻射外洩。



## 危險

部分雷射產品含有內嵌式 **Class 3A** 或 **Class 3B** 雷射二極體。請注意下列事項：  
在開啟光碟機時，會發生雷射輻射。請勿直視光束或用光學儀器直接檢視，並避免直接暴露在光束中。





≥ 18 公斤 (37 磅)



≥ 32 公斤 (70.5 磅)

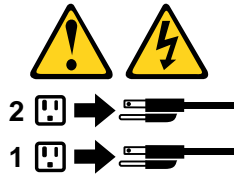


≥ 55 公斤 (121.2 磅)

警告：  
搬運時請注意安全。



警告：  
裝置上的電源控制按鈕及電源供應器上的電源開關，無法關閉裝置所產生的電流。  
該裝置可能有多條電源線。若要除去裝置流出的所有電流，請確認已切斷所有電源線的電源。



## DANGER

Le courant électrique provenant de l'alimentation, du téléphone et des câbles de transmission peut présenter un danger.

Pour éviter tout risque de choc électrique :

- Ne manipulez aucun câble et n'effectuez aucune opération d'installation, d'entretien ou de reconfiguration de ce produit au cours d'un orage.
- Branchez tous les cordons d'alimentation sur un socle de prise de courant correctement câblé et mis à la terre.
- Branchez sur des socles de prise de courant correctement câblés tout équipement connecté à ce produit.
- Lorsque cela est possible, n'utilisez qu'une seule main pour connecter ou déconnecter les câbles d'interface.
- Ne mettez jamais un équipement sous tension en cas d'incendie ou d'inondation, ou en présence de dommages matériels.
- Avant de retirer les carters de l'unité, mettez celle-ci hors tension et déconnectez ses cordons d'alimentation, ainsi que les câbles qui la relient aux réseaux, aux systèmes de télécommunication et aux modems (sauf instruction contraire mentionnée dans les procédures d'installation et de configuration).
- Lorsque vous installez, que vous déplacez, ou que vous manipulez le présent produit ou des périphériques qui lui sont raccordés, reportez-vous aux instructions ci-dessous pour connecter et déconnecter les différents cordons.

Connexion	Déconnexion
<ol style="list-style-type: none"> <li>1. Mettez les unités HORS TENSION.</li> <li>2. Commencez par brancher tous les cordons sur les unités.</li> <li>3. Branchez les câbles d'interface sur des connecteurs.</li> <li>4. Branchez les cordons d'alimentation sur des prises.</li> <li>5. Mettez les unités SOUS TENSION.</li> </ol>	<ol style="list-style-type: none"> <li>1. Mettez les unités HORS TENSION.</li> <li>2. Débranchez les cordons d'alimentation des prises.</li> <li>3. Débranchez les câbles d'interface des connecteurs.</li> <li>4. Débranchez tous les câbles des unités.</li> </ol>



**ATTENTION:**

Remplacer la pile au lithium usagée par une pile de référence identique exclusivement, (référence 45C1566), ou suivre les instructions du fabricant qui en définit les équivalences. Si votre système est doté d'un module contenant une pile au lithium, vous devez le remplacer uniquement par un module identique, produit par le même fabricant. La pile contient du lithium et peut exploser en cas de mauvaise utilisation, de mauvaise manipulation ou de mise au rebut inappropriée.

Ne pas :

- la jeter à l'eau,
- l'exposer à des températures supérieures à 100°C,
- chercher à la réparer ou à la démonter.

Ne pas mettre la pile à la poubelle. Pour la mise au rebut, se reporter à la réglementation en vigueur.



**ATTENTION:**

Si des produits à laser (tels que des unités de CD-ROM, de DVD-ROM, des unités à fibres optiques, ou des émetteurs) sont installés, prenez connaissance des informations suivantes :

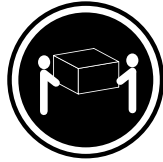
- Ne retirez pas le carter. En ouvrant l'unité de CD-ROM ou de DVD-ROM, vous vous exposez au rayonnement dangereux du laser. Aucune pièce de l'unité n'est réparable.
- Pour éviter tout risque d'exposition au rayon laser, respectez les consignes de réglage et d'utilisation des commandes, ainsi que les procédures décrites dans le présent manuel.



**DANGER**

Certains produits à laser contiennent une diode à laser intégrée de classe 3A ou 3B. Prenez connaissance des informations suivantes:

Rayonnement laser lorsque le carter est ouvert. Evitez toute exposition directe au rayon laser. Evitez de regarder fixement le faisceau ou de l'observer à l'aide d'instruments optiques.



≥18 kg (37 lb)



≥32 kg (70.5 lb)



≥55 kg (121.2 lb)

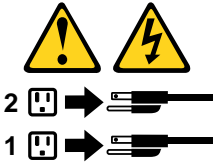
#### ATTENTION:

Soulevez la machine avec précaution.



#### ATTENTION:

L'interrupteur de contrôle d'alimentation de l'unité et l'interrupteur dubloc d'alimentation ne coupent pas le courant électrique alimentant l'unité. En outre, le système peut être équipé de plusieurs cordons d'alimentation. Pour mettre l'unité hors tension, vous devez déconnecter tous les cordons de la source d'alimentation.



#### VORSICHT

An Netz-, Telefon- und Datenleitungen können gefährliche Spannungen anliegen.

#### Aus Sicherheitsgründen:

- Bei Gewitter an diesem Gerät keine Kabel anschließen oder lösen. Ferner keine Installations-, Wartungs- oder Rekonfigurationsarbeiten durchführen.
- Gerät nur an eine Schutzkontaktsteckdose mit ordnungsgemäß geerdetem Schutzkontakt anschließen.
- Alle angeschlossenen Geräte ebenfalls an Schutzkontaktsteckdosen mit ordnungsgemäß geerdetem Schutzkontakt anschließen.
- Die Signalkabel nach Möglichkeit einhändig anschließen oder lösen, um einen Stromschlag durch Berühren von Oberflächen mit unterschiedlichem elektrischem Potenzial zu vermeiden.
- Geräte niemals einschalten, wenn Hinweise auf Feuer, Wasser oder Gebäudeschäden vorliegen.



- Die Verbindung zu den angeschlossenen Netzkabeln, Telekommunikationssystemen, Netzwerken und Modems ist vor dem Öffnen des Gehäuses zu unterbrechen, sofern in den Installations- und Konfigurationsprozeduren keine anders lautenden Anweisungen enthalten sind.
- Zum Installieren, Transportieren und Öffnen der Abdeckungen des Computers oder der angeschlossenen Einheiten die Kabel gemäß der folgenden Tabelle anschließen und abziehen.

Zum Anschließen der Kabel gehen Sie wie folgt vor	Zum Abziehen der Kabel gehen Sie wie folgt vor
<ol style="list-style-type: none"> <li>1. Schalten Sie alle Einheiten AUS.</li> <li>2. Schließen Sie erst alle Kabel an die Einheiten an.</li> <li>3. Schließen Sie die Signalkabel an die Buchsen an.</li> <li>4. Schließen Sie die Netzkabel an die Steckdose an.</li> <li>5. Schalten Sie die Einheit EIN.</li> </ol>	<ol style="list-style-type: none"> <li>1. Schalten Sie alle Einheiten AUS.</li> <li>2. Ziehen Sie zuerst alle Netzkabel aus den Netzsteckdosen.</li> <li>3. Ziehen Sie die Signalkabel aus den Buchsen.</li> <li>4. Ziehen Sie alle Kabel von den Einheiten ab.</li> </ol>



**CAUTION:**

Eine verbrauchte Lithiumbatterie nur durch eine Batterie mit der Teilenummer 45C1566 oder eine gleichwertige, vom Hersteller empfohlene Batterie ersetzen. Enthält das System ein Modul mit einer Lithiumbatterie, dieses nur durch ein Modul desselben Typs und von demselben Hersteller ersetzen. Die Batterie enthält Lithium und kann bei unsachgemäßer Verwendung, Handhabung oder Entsorgung explodieren.

Die Batterie nicht:

- mit Wasser in Berührung bringen.
- über 100 C erhitzen.
- reparieren oder zerlegen.

Die örtlichen Bestimmungen für die Entsorgung von Sondermüll beachten.



**ACHTUNG:**

**Bei der Installation von Lasergeräten (wie CD-ROM-Laufwerken, DVD- aufwerken, Einheiten mit Lichtwellenleitertechnik oder Sendern) Folgendes beachten:**

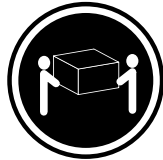
- Die Abdeckungen nicht entfernen. Durch Entfernen der Abdeckungen des Lasergeräts können gefährliche Laserstrahlungen freigesetzt werden. Das Gerät enthält keine zu wartenden Teile.
- Werden Steuerelemente, Einstellungen oder Durchführungen von Prozeduren anders als hier angegeben verwendet, kann gefährliche Laserstrahlung auftreten.



**VORSICHT**

**Einige Lasergeräte enthalten eine Laserdiode der Klasse 3A oder 3B. Beachten Sie Folgendes:**

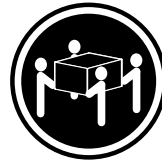
**Laserstrahlung bei geöffneter Verkleidung. Nicht in den Strahl blicken. Keine Lupen oder Spiegel verwenden. Strahlungsbereich meiden.**



≥18 kg



≥32 kg



≥55 kg

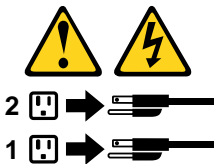
**ACHTUNG:**

**Arbeitsschutzrichtlinien beim Anheben der Maschine beachten.**



**ACHTUNG:**

**Mit dem Netzschalter an der Einheit und am Netzteil wird die Stromversorgung für die Einheit nicht unterbrochen. Die Einheit kann auch mit mehreren Netzkabeln ausgestattet sein. Um die Stromversorgung für die Einheit vollständig zu unterbrechen, müssen alle zum Gerät führenden Netzkabel vom Netz getrennt werden.**



## סכנה

זרם חשמלי המועבר בכבלי חשמל, טלפון ותקשורת הוא מסוכן.

כדי להימנע מסכנת התחשמלות:

- אל תחברו או תנתקו כבלים, ואל תבצעו פעולת התקנה, תחזוקה או שינוי תצורה במוצר זה במהלך סופת ברקים.
- חברו את כל כבלי החשמל לשקע חשמל מחווט ומוארק כהלכה.
- חברו כל ציוד שיחובר למוצר זה לשקעי חשמל מחוטים כהלכה.
- במידת האפשר, השתמשו ביד אחת בלבד לחיבור או לניתוק של כבלי אותות.
- לעולם אל תפעילו ציוד כלשהו כאשר יש עדות לנזק מבני או לנזק כתוצאה מאש או ממים.
- נתקו את כבלי החשמל, מערכות התקשורת, התקני הרשת והמודמים המחוברים לפני פתיחת כיסויי ההתקן, אלא אם הליכי ההתקנה וקביעת התצורה מורים אחרת.
- בעת התקנה, העברה או פתיחת כיסויים במוצר זה או בהתקנים המחוברים, חברו ונתקו את הכבלים כמתואר בטבלה שלהלן.

כדי לחבר	כדי לנתק
1. כבו הכל.	1. כבו הכל.
2. ראשית, חברו את כל הכבלים להתקנים.	2. ראשית, נתקו את כבלי החשמל מהשקעים.
3. חברו את כבלי האותות למחברים.	3. נתקו את כבלי האותות מהמחברים.
4. חברו את כבלי החשמל לשקעים.	4. הסירו את כל הכבלים מההתקנים.
5. הפעילו את ההתקן.	



זהירות:

בעת החלפת סוללת ליתיום, השתמשו רק בסוללה בעלת מק"ט 45C1566 או בסוג תואם שהומלץ על ידי היצרן. אם המערכת כוללת מודול המכיל סוללת ליתיום, החליפו אותו רק במודול מאותו סוג ומתוצרת אותו יצרן. הסוללה מכילה ליתיום, ועלולה להתפוצץ אם לא משתמשים ומטפלים בה או משליכים אותה כראוי.

לעולם:

- אל תטבלו במים
  - אל תחממו לטמפרטורה הגבוהה מ-100°C (212°F)
  - אל תתקנו או תפרקו
- השליכו את הסוללה כנדרש לפי התקנות והחוקים המקומיים.



זהירות:

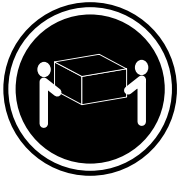
בעת התקנת מוצרי לייזר (כגון כונני תקליטורים ו-DVD, התקני סיב אופטי או משדרים), שימו לב לאזהרות הבאות:

- אל תסירו את הכיסויים. הסרת הכיסויים של מוצר הלייזר עלולה לגרום לחשיפה לקרינת לייזר מסוכנת. אין חלקים ברי טיפול בתוך ההתקן.
- שינויים, שימוש בבקורות או ביצוע הליכים אחרים מאלה המתוארים כאן, עלולים לגרום לחשיפה לקרינה מסוכנת.



סכנה

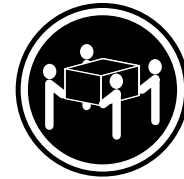
מוצרי ליזר מסוימים מכילים דיודת ליזר מסוג Class 3A או Class 3B. שימו לב לאזהרה הבאה:  
כאשר הוא פתוח, המוצר פולט קרינת ליזר. אל תביטו ישירות בקרן, אל תביטו ישירות בעזרת ציוד אופטי,  
והימענו מחשיפה לקרן.



≤ 18 ק"ג (37 ליב')



≤ 32 ק"ג (70.5 ליב')



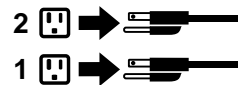
≤ 55 ק"ג (121.2 ליב')

זהירות:  
השתמשו בהליכים  
הנאותים בעת  
הרמת הציוד.



זהירות:

לחצן ההפעלה של ההתקן ומתג ההפעלה של ספק החשמל אינם מפסיקים את זרם החשמל המסופק להתקן.  
בנוסף, ההתקן עשוי לכלול יותר מכבל חשמל אחד. כדי לסלק את כל הזרם החשמלי מההתקן,  
ודאו שכל כבלי החשמל מנותקים ממקור החשמל.



## PERICOLO

La corrente elettrica proveniente dai cavi di alimentazione, del telefono e di comunicazione può essere pericolosa.

**Per evitare il rischio di scosse elettriche:**

- Non collegare o scollegare qualsiasi cavo oppure effettuare l'installazione, la manutenzione o la riconfigurazione del prodotto durante un temporale.
- Collegare tutti i fili elettrici a una presa di alimentazione correttamente cablata e dotata di messa a terra.
- Collegare alle prese elettriche appropriate tutte le apparecchiature che verranno utilizzate per questo prodotto.
- Se possibile, utilizzare solo una mano per collegare o scollegare i cavi di segnale.
- Non accendere assolutamente apparecchiature in presenza di incendi, perdite d'acqua o danno strutturale.
- Scollegare i cavi di alimentazione, i sistemi di telecomunicazione, le reti e il modem prima di aprire i coperchi del dispositivo, salvo istruzioni contrarie relative alle procedure di installazione e configurazione.
- Collegare e scollegare i cavi come descritto nella seguente tabella quando vengono effettuate operazioni di installazione, spostamento o apertura dei coperchi di questo prodotto o delle unità collegate.

Per collegarsi	Per scollegarsi
<ol style="list-style-type: none"> <li>1. SPEGNERE le apparecchiature.</li> <li>2. Innanzitutto, collegare tutti i cavi alle unità.</li> <li>3. Collegare i cavi di segnale ai connettori.</li> <li>4. Collegare i cavi di alimentazione alla presa.</li> <li>5. Accendere l'unità.</li> </ol>	<ol style="list-style-type: none"> <li>1. SPEGNERE le apparecchiature.</li> <li>2. Innanzitutto, rimuovere i cavi di alimentazione dalla presa.</li> <li>3. Rimuovere i cavi di segnale dai connettori.</li> <li>4. Rimuovere tutti i cavi dalle unità.</li> </ol>



#### ATTENZIONE:

Quando si sostituisce la batteria al litio, utilizzare solo il Numero parte 45C1566 o un tipo di batteria equivalente consigliato dal produttore. Se sul sistema è presente un modulo che contiene una batteria al litio, sostituirlo solo con un tipo di modulo dello stesso tipo della stessa casa di produzione. La batteria contiene litio e può esplodere se usata, maneggiata o smaltita in modo non corretto.

*Non:*

- Gettare o immergere la batteria nell'acqua
- Riscaldarla ad una temperatura superiore ai 100 gradi C (212 gradi F)
- Smontarla, ricaricarla o tentare di ripararla

Le batterie usate vanno smaltite in accordo alla normativa in vigore (DPR 915/82 e successive disposizioni e disposizioni locali).



#### ATTENZIONE:

Quando vengono installati prodotti laser (quali CD-ROM, unità DVD-ROM, unità a fibre ottiche o trasmettenti), tener presente quanto segue:

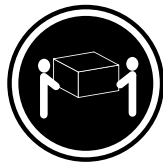
- Non rimuovere gli sportelli. L'apertura di un'unità laser può determinare l'esposizione a radiazioni laser pericolose. All'interno dell'unità non vi sono parti su cui effettuare l'assistenza tecnica.
- L'utilizzo di controlli, regolazioni o l'esecuzione di procedure non descritti nel presente manuale possono provocare l'esposizione a radiazioni pericolose.



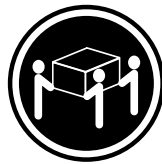
## PERICOLO

Alcune unità laser contengono un diodo laser di Classe 3A o Classe 3B. Tener presente quanto segue:

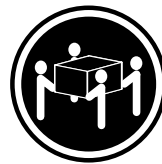
Aperto l'unità vengono emesse radiazioni laser. Non fissare il fascio, non guardarlo direttamente con strumenti ottici ed evitare l'esposizione al fascio.



≥18 kg



≥32 kg



≥55 kg

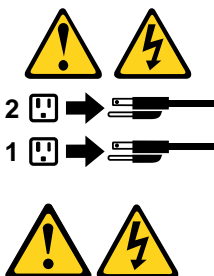
## ATTENZIONE:

Prestare attenzione nel sollevare l'apparecchiatura.



## ATTENZIONE:

Il pulsante di controllo dell'alimentazione presente sull'unità e l'interruttore dell'alimentatore non disattivano l'alimentazione corrente fornita all'unità. E' possibile che l'unità disponga di più cavi di alimentazione. Per disattivare l'alimentazione dall'unità, accertarsi che tutti i cavi di alimentazione siano scollegati dalla fonte di alimentazione.



**위험**

전원, 전화, 통신 케이블의 전류는 위험합니다.

감전의 위험을 피하려면 다음과 같이 하십시오.

- 번개가 치는 날에는 케이블을 연결 또는 분리하거나 본 제품을 설치, 보수, 재구성하지 마십시오.
- 모든 전원 코드는 올바르게 접지된 전기 콘센트에 연결하십시오.
- 본 제품에 연결될 장치는 올바르게 배선된 콘센트에 연결하십시오.
- 신호 케이블을 연결 또는 분리할 때 가능하면 한 손만을 사용하십시오.
- 불 또는 물로 인한 손상이나 구조적인 손상이 있을 경우 장치의 전원을 절대 켜지 마십시오.
- 설치 및 구성 과정에 별도의 지시 사항이 없는 경우, 장치의 덮개를 열기 전에 연결된 전원 코드, 원격 통신 시스템, 네트워크, 모뎀을 분리하십시오.
- 본 제품이나 연결된 장치를 설치, 이동하거나 덮개를 열 때 다음 표와 같은 순서로 케이블을 연결하거나 분리하십시오.

연결할 때:	분리할 때:
<ol style="list-style-type: none"> <li>1. 모든 장치의 전원을 끄십시오.</li> <li>2. 먼저 모든 케이블을 장치에 연결하십시오.</li> <li>3. 커넥터에 신호 케이블을 연결하십시오.</li> <li>4. 콘센트에 전원 코드를 연결하십시오.</li> <li>5. 장치의 전원을 켜십시오.</li> </ol>	<ol style="list-style-type: none"> <li>1. 모든 장치의 전원을 끄십시오.</li> <li>2. 먼저 콘센트에서 전원 코드를 분리하십시오.</li> <li>3. 커넥터에서 신호 케이블을 분리하십시오.</li> <li>4. 장치에서 모든 케이블을 분리하십시오.</li> </ol>



**주의:**

배터리를 교환할 때는 Part Number 45C1566 또는 제조업체에서 지정한 동일한 종류의 제품을 사용하십시오. 사용자의 시스템이 리튬 배터리를 포함하는 모듈일 경우, 동일한 제조업체에서 동일한 모듈 유형으로 생산된 제품으로 교체하십시오. 배터리에는 리튬이 함유되어 있어 잘못 사용, 취급 또는 폐기할 경우 폭발의 위험이 있습니다.

사고를 방지하려면 다음 사항을 준수하십시오.

- 배터리를 물 속에 던지거나 침수시키지 마십시오.
- 100°C (212°F) 이상 가열하지 마십시오.
- 수리하거나 분해하지 마십시오.

배터리를 폐기할 때는 법령 또는 회사의 안전 수칙에 따라 폐기하십시오.



**주의:**

CD-ROM, DVD-ROM 장치, 광섬유 장치 또는 송신 장치와 같은 레이저 제품을 설치할 때, 다음과 같은 취급 주의사항을 참고하십시오.

- 덮개를 열지 마십시오. 덮개를 열면 레이저 복사 에너지에 노출될 위험이 있습니다. 장치 내부에는 사용자가 조정하거나 수리할 수 있는 부품이 없습니다.
- 규정된 것 이외의 절차 수행, 제어 조정 등의 행위로 인해 해로운 레이저 복사에 노출될 수 있습니다.

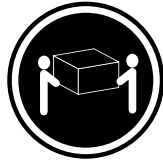




## 위험

일부 장비에는 임베디드 클래스 3A 또는 클래스 3B 레이저 다이오드가 있습니다. 다음 주의사항에 유의하십시오.

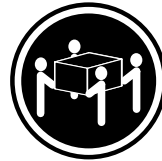
드라이브가 열리면 레이저 복사 에너지가 방출됩니다. 광선이 눈에 직접 쏘이지 않도록 하십시오. 나안 또는 광학 기구를 착용한 상태에서 광선을 직접 바라보지 않도록 하십시오.



≥ 18 kg (37 lbs)



≥ 32 kg (70.5 lbs)

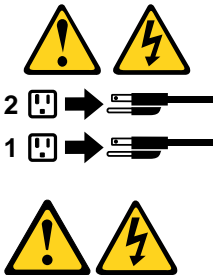


≥ 55 kg (121.2 lbs)

주의:  
제품을 들어 올릴 때  
안전 규제를 따르십시오.



주의:  
장치의 전원 제어 버튼 및 전원 공급 장치의 전원 스위치를 사용하여 장치에 공급되는 전기를 차단하지 마십시오.  
장치는 둘 이상의 코드를 가지고 있을 수 있습니다. 장치에서 모든 전원을 차단하려면 콘센트에서 코드가 모두  
분리되어 있는지 확인하십시오.



## PELIGRO

La corriente eléctrica procedente de cables de alimentación, teléfonos y cables de comunicación puede ser peligrosa.

**Para evitar el riesgo de descarga eléctrica:**

- **No conecte ni desconecte los cables ni realice ninguna tarea de instalación, mantenimiento o reconfiguración de este producto durante una tormenta eléctrica.**
- **Conecte todos los cables de alimentación a tomas de corriente debidamente cableadas y conectadas a tierra.**
- **Cualquier equipo que se conecte a este producto también debe conectarse a tomas de corriente debidamente cableadas.**
- **Siempre que sea posible, utilice una sola mano para conectar o desconectar los cables de señal.**

- No encienda nunca un equipo cuando hay señales de fuego, agua o daños estructurales.
- Desconecte los cables de alimentación, los sistemas de telecomunicaciones, las redes y los módems conectados antes de abrir las cubiertas de los dispositivos, a menos que se indique lo contrario en los procedimientos de instalación y configuración.
- Conecte y desconecte los cables, como se describe en la tabla siguiente, cuando instale, mueva o abra las cubiertas de este producto o de los dispositivos conectados.

Para conectar	Para desconectar
<ol style="list-style-type: none"> <li>1. APÁGUELO todo.</li> <li>2. En primer lugar, conecte todos los cables a los dispositivos.</li> <li>3. Conecte los cables de señal a los conectores.</li> <li>4. Enchufe los cables de alimentación a las tomas de corriente.</li> <li>5. Encienda el dispositivo.</li> </ol>	<ol style="list-style-type: none"> <li>1. APÁGUELO todo.</li> <li>2. En primer lugar, desenchufe los cables de alimentación de las tomas de corriente.</li> <li>3. Desconecte los cables de señal de los conectores.</li> <li>4. Desconecte todos los cables de los dispositivos.</li> </ol>



#### PRECAUCIÓN:

Quando sustituya una batería de litio, utilice solamente una batería número de pieza 45C1566 u otra de tipo equivalente recomendada por el fabricante. Si su sistema dispone de un módulo que contiene una batería de litio, reemplácelo sólo con el mismo tipo de módulo, del mismo fabricante. La batería contiene litio y puede explotar si no se utiliza, manipula o desecha correctamente.

*No debe:*

- Arrojarla al agua o sumergirla en ella
- Exponerla a temperaturas superiores a 100°C (212°F)
- Repararla o desmontarla

Deshágase de la batería según especifiquen las leyes o normas locales.



#### PRECAUCIÓN:

Quando haya productos láser (como unidades de CD-ROM, unidades de DVD, dispositivos de fibra óptica o transmisores) instalados, tenga en cuenta lo siguiente:

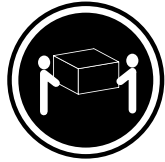
- No quite las cubiertas. Si quita las cubiertas del producto láser, podría quedar expuesto a radiación láser peligrosa. Dentro del dispositivo no existe ninguna pieza que requiera servicio técnico.
- Si usa controles o ajustes o realiza procedimientos que no sean los especificados aquí, podría exponerse a radiaciones peligrosas.



#### PELIGRO

Algunos productos láser tienen incorporado un diodo láser de clase 3A o clase 3B. Tenga en cuenta lo siguiente:

Cuando se abre, queda expuesto a radiación láser. No mire directamente al rayo láser, ni siquiera con instrumentos ópticos, y evite exponerse directamente al rayo láser.



≥18 kg



≥32 kg



≥55 kg

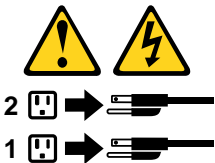
**PRECAUCIÓN:**

Adopte procedimientos seguros al levantar el equipo.



**PRECAUCIÓN:**

El botón de control de alimentación del dispositivo y el interruptor de alimentación de la fuente de alimentación no desconectan la corriente eléctrica suministrada al dispositivo. Además, el dispositivo podría tener más de un cable de alimentación. Para suprimir toda la corriente eléctrica del dispositivo, asegúrese de que todos los cables de alimentación estén desconectados de la toma de corriente.





---

## Chapter 2. Product overview

This chapter provides basic information to help you get familiar with your computer.

---

### Hardware locations

This section provides information about the locations of your computer hardware.

#### Front view

**Note:** The computer hardware might look slightly different from the illustration.

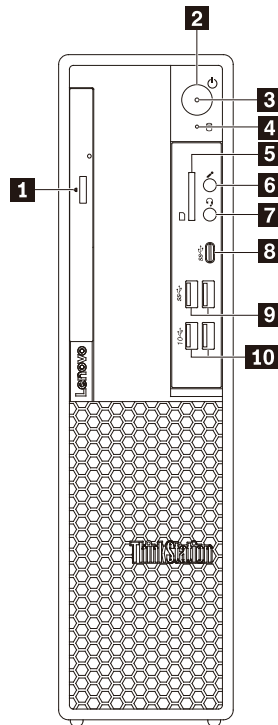


Figure 1. Front connectors, controls, and indicators

<b>1</b> Slim-optical-drive eject button (available on some models)	<b>2</b> Power button
<b>3</b> Power indicator	<b>4</b> Storage drive activity indicator
<b>5</b> SD card slot (available on some models)	<b>6</b> Microphone connector
<b>7</b> Headset connector	<b>8</b> USB-C™ connector
<b>9</b> USB 3.1 connectors Gen 1 (2)	<b>10</b> USB 3.1 connectors Gen 2 (2)

#### **1** Slim-optical-drive eject button (available on some models)

Press the button to eject the tray of the slim optical drive. To close the tray, push the tray inward until you hear a click.

## **2 Power button**

Press the power button to turn on your computer. If your computer is unresponsive, you can turn off the computer by pressing and holding the power button for four or more seconds.

## **3 Power indicator**

When the power indicator is on, the computer is turned on.

## **4 Storage drive activity indicator**

This indicator shows the status of the internal storage drives (such as hard disk drives or solid-state drives).

**On:** The storage drives are active and data is being transferred.

**Off** (when the computer is on): The storage drives are not in use or no data is being transferred.

## **5 SD card slot (available on some models)**

Insert a secure digital (SD) card into the slot to access the data on the card.

## **6 Microphone connector**

Use this connector to attach a microphone to your computer when you want to record sound or if you use speech-recognition software.

## **7 Headset connector**

Use this connector to attach a headset to your computer.

## **8 USB-C connector**

The USB-C connector on your computer supports the USB Type-C™ standard. With an appropriate USB-C cable connected, you can use the connector to transfer data or charge your device.

## **9 USB 3.1 connectors Gen 1 (2)**

The USB 3.1 connector Gen 1 is used for connecting USB-compatible devices, such as a USB mouse, USB storage drive, USB printer, or digital camera.

## **10 USB 3.1 connectors Gen 2 (2)**

With greater data transfer rate, the USB 3.1 connector Gen 2 is used for connecting USB-compatible devices, such as a USB mouse, USB storage drive, USB printer, or digital camera.

## **Rear view**

Some connectors on the rear of your computer are color-coded to help you determine where to connect the cables on your computer.

**Note:** The computer hardware might look slightly different from the illustration.

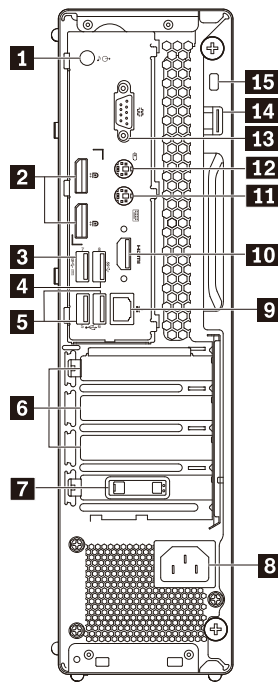


Figure 2. Rear connectors

<b>1</b> Audio line-out connector	<b>2</b> DisplayPort® connectors (2)
<b>3</b> USB 3.1 connector Gen 1 (supports smart power on)	<b>4</b> USB 3.1 connector Gen 1
<b>5</b> USB 2.0 connectors (2)	<b>6</b> PCIe card area*
<b>7</b> Cable-lock slots (available on some models)	<b>8</b> Power-cord connector
<b>9</b> Ethernet connector	<b>10</b> DisplayPort connector or HDMI™ connector (available on some models)
<b>11</b> PS/2 keyboard connector (available on some models)	<b>12</b> PS/2 mouse connector (available on some models)
<b>13</b> Serial connector	<b>14</b> Padlock loop
<b>15</b> Security-lock slot	

**Notes:** \* A discrete graphics card or a network adapter can be installed in the appropriate Peripheral Component Interconnect Express (PCIe) card slot. If such a card is installed, use the connectors on the card instead of the corresponding connectors on the computer to optimize the performance. Depending on your computer model, the preinstalled cards might vary. One or more graphics cards might be installed to provide the following connectors:

- Digital Visual Interface (DVI) connector
- DisplayPort® connector
- Mini DisplayPort® connector

### DVI monitor connector

Use this connector to attach a DVI monitor or other compatible devices.

### DisplayPort connector

Use this connector to attach a high-performance monitor, a direct-drive monitor, or other compatible devices.

### **Mini DisplayPort connector**

Use this connector to attach a high-performance monitor, a direct-drive monitor, or other compatible devices. The Mini DisplayPort connector is a miniaturized version of a DisplayPort connector.

### **1 Audio line-out connector**

The audio line-out connector is used to send audio signals from the computer to external devices, such as headphones.

### **2 DisplayPort connectors (2)**

Use this connector to attach a high-performance monitor, a direct-drive monitor, or other compatible devices.

### **3 USB 3.1 connector Gen 1**

Use this connector to attach a USB-compatible device, such as a USB keyboard, mouse, storage drive, or printer.

This USB 3.1 connector Gen 1 supports the smart power on feature. When you connect a supported keyboard to this connector, you can turn on the computer or wake it up from hibernation mode by pressing Alt+P on the keyboard. You can enable or disable the smart power on feature from the Setup Utility program.

### **4 USB 3.1 connector Gen 1**

Use this connector to attach a USB-compatible device, such as a USB keyboard, mouse, storage drive, or printer.

### **5 USB 2.0 connectors (2)**

Use this connector to attach a USB-compatible device, such as a USB keyboard, mouse, storage drive, or printer.

### **6 PCIe card area**

To further improve the computer performance, you can install PCIe cards into this area. Depending on your computer model, the preinstalled cards might vary.

### **7 Cable-lock slots (available on some models)**

Used to secure a cable lock. For more information, see “Attaching a cable lock” on page 57.

### **8 Power-cord connector**

Connect the power cord to your computer for power supply.

### **9 Ethernet connectors (2)**

Connect an Ethernet cable for a local area network (LAN).

**Note:** To operate the computer within Federal Communications Commission (FCC) Class B limits, use a Category 5 Ethernet cable.



#### **10 DisplayPort connector or HDMI connector (available on some models)**

Depending on the computer model, the connector might be DisplayPort connector or HDMI connector.

- **DisplayPort connector**

Use this connector to attach a high-performance monitor, a direct-drive monitor, or other compatible devices.

- **HDMI connector**

The High-Definition Multimedia Interface (HDMI) connector is a digital audio and video interface. It enables you to connect your computer to a compatible digital audio device or video monitor, such as an high-definition digital television (HDTV).

#### **11 PS/2 keyboard connector (available on some models)**

Use this connector to attach a Personal System/2 (PS/2) keyboard.

#### **12 PS/2 mouse connector (available on some models)**

Use this connector to attach a PS/2 mouse, a trackball, or other pointing devices.

#### **13 Serial connector**

Use this connector to attach an external modem, a serial printer, or other devices that use a 9-pin serial connector.

#### **14 Padlock loop**

Connect a padlock to secure your computer. For more information, see “Locking the computer cover” on page 55.

#### **15 Security-lock slot**

Attach a Kensington-style cable lock to the security-lock slot to secure your computer. For more information, see “Attaching a Kensington-style cable lock” on page 57.

## **Computer components**

### **Notes:**

- Depending on the model, your computer might look slightly different from the illustration.
- To prepare your computer, see “Preparing your computer” on page 92.

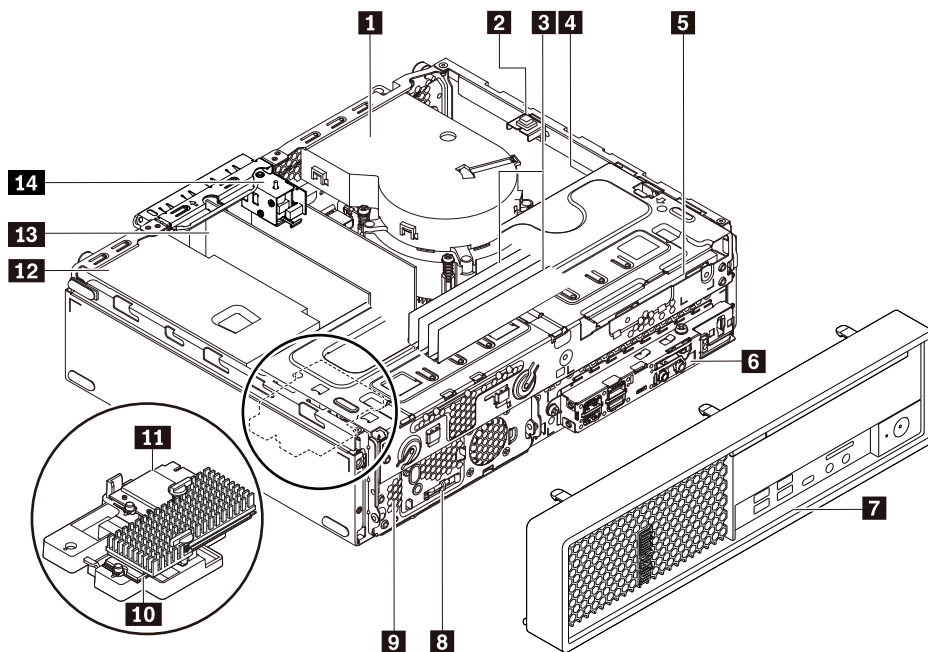


Figure 3. Component locations

<b>1</b> Heat-sink-and-fan assembly*	<b>2</b> Cover presence switch (also called intrusion switch)
<b>3</b> Memory modules*	<b>4</b> Storage drive*
<b>5</b> Slim optical drive*	<b>6</b> SD card slot*
<b>7</b> Front bezel	<b>8</b> Thermal sensor
<b>9</b> Internal speaker	<b>10</b> M.2 solid-state drive*
<b>11</b> Wi-Fi card*	<b>12</b> Power supply assembly
<b>13</b> PCIe card*	<b>14</b> E-lock*

\* Configuration varies by computer models.

## Major FRUs and CRUs

The following illustration shows the locations of the major FRUs and CRUs in the computer. To remove the computer cover, see “Preparing your computer” on page 92.

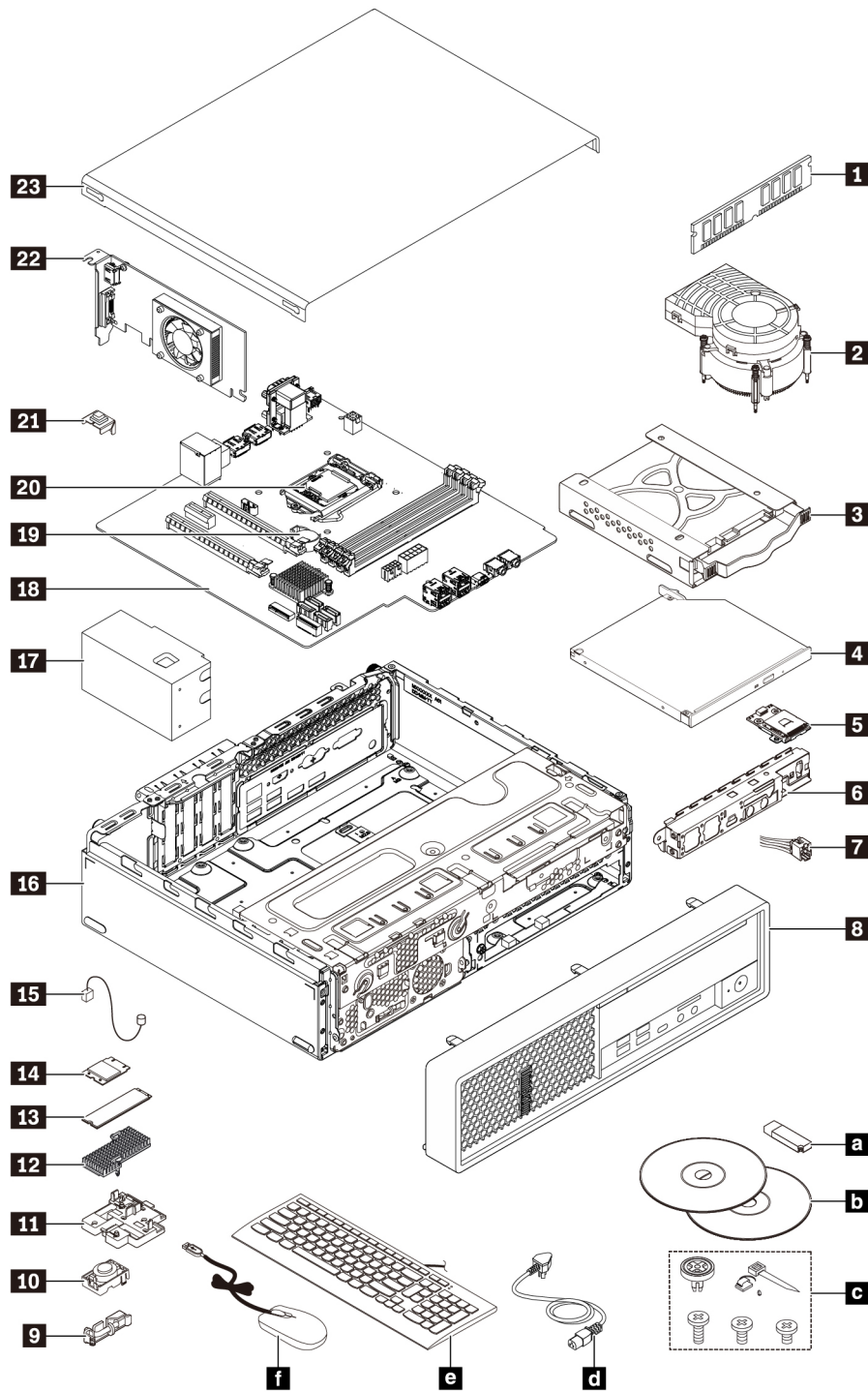


Figure 4. Major FRUs and CRUs

The following table lists the major FRUs and CRUs shown in Figure 4 “Major FRUs and CRUs” on page 35 and identifies which CRUs are self-service CRUs or optional-service CRUs.

**Notes:**

- Self-service CRUs: Refer to parts that can be installed or replaced easily by customer themselves or by trained service technicians at an additional cost.

- Optional-service CRUs: Refer to parts that can be installed or replaced by customers with a greater skill level. Trained service technicians can also provide service to install or replace the parts under the type of warranty designated for the customer's machine.
- FRUs: Refer to parts that must be installed or replaced only by trained service technicians. If customers choose to replace the FRUs by themselves, the product warranty might be affected.

Number	Description	Self-service CRU	Optional-service CRU
<b>1</b>	Memory module	Yes	No
<b>2</b>	Heat-sink-and-fan assembly	No	No
<b>3</b>	Storage drive	Yes	No
<b>4</b>	Slim optical drive (available on some models)	Yes	No
<b>5</b>	Card reader (available on some models)	No	No
<b>6</b>	Front audio and USB assembly	No	No
<b>7</b>	Power button	No	No
<b>8</b>	Front bezel	Yes	No
<b>9</b>	Thermal sensor	No	No
<b>10</b>	Internal speaker (available on some models)	No	No
<b>11</b>	Plastic holder (available on some models)	No	No
<b>12</b>	M.2 solid-state drive heat sink (available on some models)	Yes	No
<b>13</b>	M.2 solid-state drive (available on some models)	Yes	No
<b>14</b>	Wi-Fi card (available on some models)	No	No
<b>15</b>	ThinkStation LED	No	No
<b>16</b>	Chassis	No	No
<b>17</b>	Power supply assembly	No	Yes
<b>18</b>	System board	No	No
<b>19</b>	Coin-cell battery	No	Yes
<b>20</b>	Microprocessor	No	No
<b>21</b>	Cover presence switch (intrusion switch)	Yes	No
<b>22</b>	PCIe card (available on some models)	Yes	No
<b>23</b>	Computer cover	Yes	No
<b>a</b>	Lenovo factory recovery USB key (available on some models)	No	No
<b>b</b>	Lenovo recovery disc set (available on some models)	No	No
<b>c</b>	Miscellaneous parts kits	No	No
<b>d</b>	Power cord	Yes	No
<b>e</b>	Keyboard (available on some models)	Yes	No
<b>f</b>	Mouse (available on some models)	Yes	No

For detailed FRU and CRU information, such as the FRU part numbers and supported computer models, go to:

<http://www.lenovo.com/serviceparts-lookup>

## Parts on the system board

**Note:** The system board might look slightly different from the illustration.

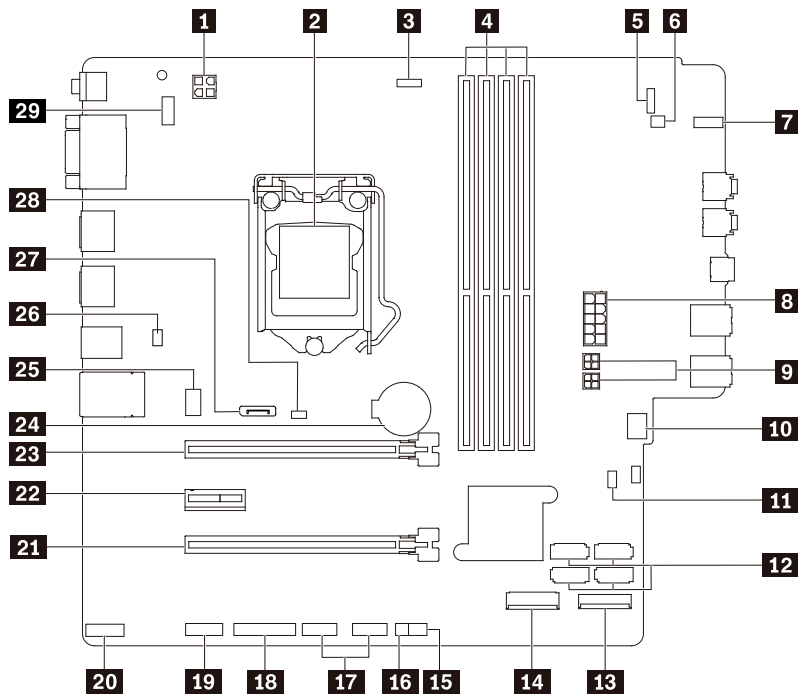


Figure 5. System board part locations

<b>1</b> 4-pin power connector	<b>2</b> Microprocessor
<b>3</b> Microprocessor fan connector	<b>4</b> Memory slots (DIMM)
<b>5</b> Front-bezel connector	<b>6</b> Internal-speaker connector
<b>7</b> Storage-drive activity indicator	<b>8</b> 10-pin power connector
<b>9</b> SATA power connectors	<b>10</b> Front-fan connector
<b>11</b> Clear CMOS/Recovery jumper	<b>12</b> SATA connectors
<b>13</b> M.2 solid-state drive slot	<b>14</b> Wi-Fi card slot
<b>15</b> Thermal-sensor connector	<b>16</b> ThinkStation® LED connector
<b>17</b> USB 2.0 connectors	<b>18</b> Parallel connector
<b>19</b> Serial port (COM) connector	<b>20</b> Thunderbolt™ control connector
<b>21</b> PCIe x16 card slot (negotiable link width x4)	<b>22</b> PCIe x1 card slot
<b>23</b> PCIe x16 card slot	<b>24</b> Coin-cell battery
<b>25</b> Rear-fan connector	<b>26</b> E-lock connector

---

**27** DisplayPort connector

**28** Cover presence switch connector (Intrusion switch connector)

---

**29** PS/2 keyboard and mouse connector

---

## Internal storage drives

Internal storage drives are devices that your computer uses to read and store data. You can add drives to your computer to increase storage capacity and enable your computer to read other types of media. Internal storage drives are installed in bays.

When you remove or install an internal storage drive, note the type and size of the drive that each bay supports and correctly connect the required cables. Refer to the appropriate section in Chapter 9 “Hardware removal and installation” on page 91 for instructions on how to remove or install internal storage drives for your computer.

The following illustration shows the locations of the storage drive bays.

**Note:** The computer hardware might look slightly different from the illustration.

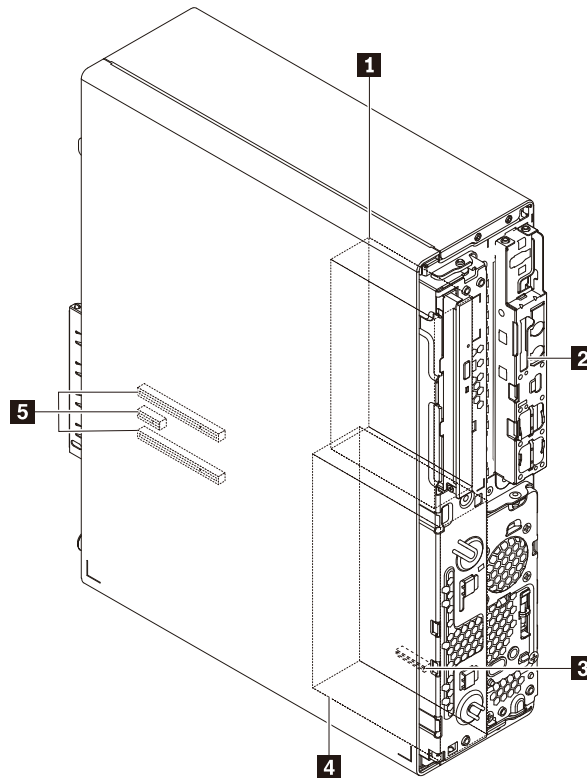


Figure 6. Storage drive bay locations

---

**1** Storage drive cage (available on some models)

**2** SD card slot (available on some models)

**3** M.2 solid-state drive slot

**4** Storage drive bay

**5** PCIe card slots (3)

---

**1** Storage drive cage (available on some models)

You can install hard disk drives or solid-state drives in the storage drive cage.

#### **2 SD card slot (available on some models)**

An SD card is installed in some models.

#### **3 M.2 solid-state drive slot**

An M.2 solid-state drive is installed in some models.

#### **4 Storage drive bay**

You can install hard disk drives or solid-state drives in the storage drive bay.

#### **5 PCIe card slots (3)**

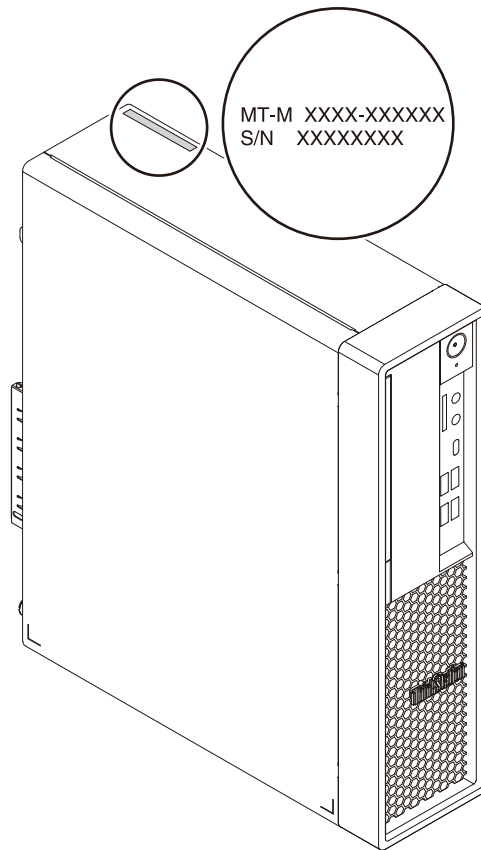
You can install compatible PCIe cards and PCIe solid-state drives in the PCIe card slots.

## **Machine type and model label**

The machine type and model label identifies your computer. When you contact Lenovo for help, the machine type and model information helps support technicians to identify your computer and provide faster service.

The machine type and model label is attached on the top of your computer as shown.

**Note:** The computer hardware might look slightly different from the illustration.



*Figure 7. Machine type and model label*

---

## Computer features

For your specific computer model, some features might vary or not apply.

### Information about your computer

- To view basic information (such as microprocessor and memory information) about your computer, do the following:
  1. Click the Start button to open the Start menu.
  2. Click **Settings** → **System** → **About**.
- To view detailed information about the devices (such as the optical drive and network adapters) on your computer, do the following:
  1. Right-click the Start button to open the Start context menu.
  2. Click **Device Manager**.
  3. Locate and double-click your device in **Device Manager** to view device properties. Type the administrator password or provide confirmation if prompted.

### Memory

Up to four double data rate 4 (DDR4) error correction code (ECC) unbuffered dual inline memory modules (UDIMMs) or non-ECC UDIMMs

### Storage drives

Your computer supports the following storage drives:

- Hard disk drive
- M.2 solid-state drive with the Intel® Optane™ technology (available on some models)
- M.2 solid-state drive without the Intel Optane technology (available on some models)
- Slim optical drive (available on some models)
- SD card (available on some models)
- Solid-state drive (available on some models)

To view the amount of storage drive space, do the following:

1. Right-click the Start button to open the Start context menu.
2. Click **Disk Management** and follow the instructions on the screen.

### Video features

- PCIe x16 graphics card slots on the system board for discrete graphics cards
- Video connectors on a discrete graphics card:
  - DVI connector (available on some models)
  - DisplayPort connector (available on some models)
  - Mini DisplayPort connector (available on some models)

### Audio features

The integrated audio controller supports the following connectors and devices on your computer:

- Audio line-out connector
- Headset connector



- Internal speaker
- Microphone connector

### **Input/Output (I/O) features**

- 100/1000 Mbps Ethernet connector
- 9-pin serial connector
- Audio connectors: audio line-out connector, microphone connector, and headset connector
- Display connectors (vary by graphics card): DisplayPort connector, DVI connector, and Mini DisplayPort connector
- PS/2 keyboard connector (available on some models)
- PS/2 mouse connector (available on some models)
- USB connectors
- USB-C connector

### **Expansion**

- Memory slots
- M.2 solid-state drive slot
- Storage drive bay
- Storage drive cage (available on some models)
- SD card slot (available on some models)
- PCIe x1 card slot
- PCIe x16 card slot (negotiable link width x4)
- PCIe x16 graphics card slot

### **Power supply**

Your computer comes with one of the following power supplies:

- 210-watt automatic voltage-sensing power supply
- 260-watt automatic voltage-sensing power supply

### **Wireless features**

Depending on your computer model, the following wireless features are supported:

- Wireless LAN
- Bluetooth

### **System management features**

- Ability to store power-on self-test (POST) hardware test results
- Desktop Management Interface (DMI)

Desktop Management Interface provides a common path for users to access information about all aspects of a computer. The information includes the processor type, installation date, attached printers and other peripherals, power sources, and maintenance history.

- ErP LPS compliance mode

The energy-related products directive (ErP) lowest power state (LPS) compliance mode reduces the consumption of electricity when your computer is in sleep or off mode. For more information, see “Enabling or disabling the ErP LPS compliance mode” on page 62.

- Intel® Intelligent Cooling Engine (ICE)  
The Intelligent Cooling Engine is a system thermal management solution that enables your computer to run with better thermal and acoustic performance. The ICE function also monitors the thermal performance of your computer to identify thermal problems.
- Intel® Standard Manageability (ISM)  
Intel Standard Manageability builds certain functionalities into computer hardware and firmware. Therefore, computers are less expensive for businesses and easier to monitor, maintain, update, upgrade, and repair.
- Intel Active Management Technology (Intel AMT)  
With specific Intel platform capabilities and third-party management and security applications, Intel Active Management Technology enables IT administrators or managed service providers to easily and remotely discover, repair, and protect their networked computing assets.
- Preboot Execution Environment (PXE)  
Preboot Execution Environment enables you to start computers using a network interface. This manner is independent of starting computers from data storage devices (such as the hard disk drive) or installed operating systems.
- System Management (SM) basic input/output system (BIOS) and SM software  
The SM BIOS specification defines data structures and access methods in a BIOS. Therefore, a user or an application can store and retrieve information specific about the computer in question.
- Wake on LAN (WOL)  
Wake on LAN is an Ethernet computer networking standard that allows a computer to be turned on or woken up by a network message. The message is usually sent by a program running on another computer on the same local area network.
- Windows Management Instrumentation (WMI)  
Windows Management Instrumentation is a set of extensions to the Windows Driver Model. It provides an operating system interface through which instrumented components provide information and notification.

### **Security features**

- Ability to enable and disable a device
- Ability to enable and disable USB connectors individually
- Antivirus program
- BIOS passwords and Microsoft® Windows® accounts to deter unauthorized use of your computer
- Cable lock
- Computrace Agent software embedded in firmware (for selected models)
- Cover presence switch (also called intrusion switch)
- Firewalls
- Smart USB Protection function
- Startup sequence control
- Startup without a keyboard or mouse
- Support for a Kensington-style cable lock
- Support for a padlock
- Trusted Platform Module (TPM)

## Preinstalled operating system

Your computer is preinstalled with the Windows 10 operating system. Additional operating systems might be identified by Lenovo as compatible with your computer. To determine if an operating system has been certified or tested for compatibility, check the Web site of the operating system provider.

---

## Computer specifications

This section lists the physical specifications for your computer.

### Dimensions

- Width: 92.5 mm (3.6 inches)
- Height: 343.5 mm (13.5 inches)
- Depth: 305.6 mm (12 inches)

### Weight

Maximum configuration as shipped: 6.0 kg (13.2 lb)

### Environment

- Air temperature:
  - Operating: From 10 °C (50°F) to 35°C (95°F)
  - Storage in original shipping package: From -40°C (-40°F) to 60°C (140°F)
  - Storage without package: From -10°C (14°F) to 65°C (149°F)
- Humidity:
  - Operating: 30%–90% (non-condensing)
  - Storage: 20%–90% (non-condensing)
- Altitude:
  - Operating: From -15.2 m (-50 ft) to 3048 m (10 000 ft)
  - Storage: From -15.2 m (-50 ft) to 10 668 m (35 000 ft)

### Electrical input

- Input voltage: From 100 V ac to 240 V ac
  - Input frequency: 50/60 Hz
- 

## Programs

This section provides information about the programs on your computer.

### Accessing a program on your computer

To access a program on your computer, do one of the following:

- From Windows Search:
  1. Type the program name into the search box next to the Start button.
  2. In the search results, click the name of the desired program to launch the program.
- From the Start menu or Control Panel:
  1. Click the Start button to open the Start menu. Then, click the name of the desired program to launch the program.

2. If the program name is not displayed on the Start menu, access the program from Control Panel.
  - a. Click the Start button to open the Start menu.
  - b. Click **Windows System → Control Panel**.
  - c. View Control Panel by Large icons or Small icons, and then click the name of the desired program to launch the program.

## An introduction to Lenovo programs

This section provides information about the major Lenovo programs available on your operating system.

**Note:** Depending on your computer model, some of the following programs might not be available.

- **Lenovo Vantage**

Your computer's best features and capabilities should be easy to access and understand. With Lenovo Vantage, they are.

Use Lenovo Vantage to do the following:

- Know the device status easily and customize device settings.
- Download and install UEFI BIOS, firmware, and driver updates to keep your computer up-to-date.
- Monitor your computer health, and secure your computer against outside threats.
- Look up warranty status (online).
- Access *User Guide* and helpful articles.

**Notes:**

- The available features vary depending on the computer model.
- Lenovo Vantage makes periodic updates of the features to keep improving your experience with your computer. The description of features might be different from that on your actual user interface.

---

## Chapter 3. Using your computer

This chapter provides information to help you use the various features provided by your computer.

---

### Registering your computer

When you register your computer with Lenovo, you enter required information into a Lenovo database. The information enables Lenovo to contact you when there is a recall or other severe problem and provide quicker service when you call Lenovo for help. In addition, some locations offer extended privileges and services to registered users.

To register your computer with Lenovo, go to <https://support.lenovo.com/productregistration> and follow the instructions on the screen.

---

### Setting the computer volume

To set the computer volume, do the following:

1. Click the volume icon in the Windows notification area on the taskbar.

**Note:** If the volume icon is not displayed in the Windows notification area, add the icon to the notification area. See the Windows help system.

2. Follow the instructions on the screen and the hover text to adjust the volume, mute the speaker, or unmute the speaker.

---

### Using a disc

This section provides instructions on how to use a disc and the optical drive.

#### Guidelines about using the optical drive

When using the optical drive, follow these guidelines:

- Do not place the computer in a location where the drive is exposed to any of the following conditions:
  - High temperature
  - High humidity
  - Excessive dust
  - Excessive vibration or sudden shock
  - An inclined surface
  - Direct sunlight
- Do not insert any object other than a disc into the drive.
- Do not insert damaged discs into the drive. Warped, scratched, or dirty discs can damage the drive.
- Before moving the computer, remove the disc from the drive.

#### Handling and storing a disc

When handling and storing a disc, follow these guidelines:

- Hold the disc by its edges. Do not touch the surface of the side that is not labeled.

- To remove dust or fingerprints, wipe the disc with a clean, soft cloth from the center to the outside. Wiping the disc in a circular direction might cause loss of data.
- Do not write or stick paper on the disc.
- Do not scratch or mark the disc.
- Do not place or store the disc in direct sunlight.
- Do not use benzene, thinners, or other cleaners to clean the disc.
- Do not drop or bend the disc.

## Playing and removing a disc

To play a disc, do the following:

1. With the computer on, press the eject/close button on the front of the optical drive. The tray slides out of the drive.
2. Insert a disc into the tray. Some optical drive has a snap hub in the center of the tray. If your drive has a snap hub, support the tray with one hand and then push the center of the disc until it snaps into place.
3. Press the eject/close button again or gently push the tray forward to close the tray. The disc player program starts automatically. For more information, refer to the help system of the disc player program.

To remove a disc from the optical drive, do the following:

1. With the computer on, press the eject/close button on the front of the optical drive. The tray slides out of the drive.
2. Carefully remove the disc from the tray.
3. Press the eject/close button again or gently push the tray forward to close the tray.

**Note:** If the tray does not slide out of the drive when you press the eject/close button, turn off your computer. Then, insert a straightened paper clip into the emergency-eject hole adjacent to the eject/close button. Use the emergency eject only in an emergency.

## Recording a disc

If your optical drive supports recording, you can record a disc.

### Recording a disc using Windows tools

To record a disc using Windows tools, do one of the following:

- Burn a disc using the AutoPlay window.
  1. Ensure that the disc is played automatically.
    - a. Click the Start button to open the Start menu.
    - b. Click **Settings** → **Devices** → **AutoPlay**.
    - c. Select or turn on **Use AutoPlay for all media and devices**.
  2. Insert a recordable disc into the optical drive that supports recording. The AutoPlay window opens.
  3. Follow the instructions on the screen.
- Burn a disc using Windows Media® Player.
  1. Insert a recordable disc into the optical drive that supports recording.
  2. Open Windows Media Player. See “Accessing a program on your computer” on page 43.
  3. Follow the instructions on the screen.
- Burn a disc from an ISO file.

1. Insert a recordable disc into the optical drive that supports recording.
2. Double-click the ISO file.
3. Follow the instructions on the screen.

### Recording a disc using preinstalled programs

To record a disc using preinstalled programs, do the following:

1. Insert a recordable disc into the optical drive that supports recording.
2. Open the PowerDVD Create, PowerProducer, or Power2Go program (depending on the computer model). See “Accessing a program on your computer” on page 43.
3. Follow the instructions on the screen.

---

## Connecting to a network

This section provides instructions on how to connect to a network.

### Connecting to an Ethernet LAN

You can connect your computer to an Ethernet LAN by connecting an Ethernet cable to the Ethernet connector.



**To avoid the risk of electrical shock, do not connect the telephone cable to the Ethernet connector.**

### Connecting to a wireless LAN

You can connect your computer to a wireless LAN without the use of an Ethernet cable but by means of radio waves only.

**Note:** The wireless LAN feature is available only on some models.

To establish a wireless-LAN connection, do the following:

1. Ensure that a wireless LAN is available and the wireless LAN feature on your computer is working.
2. Click the wireless-network-connection-status icon in the Windows notification area to display available wireless networks.

**Note:** If the wireless-network-connection-status icon is not displayed in the Windows notification area, add the icon to the notification area. See the Windows help system.

3. Click a wireless LAN, and then click **Connect** to connect your computer to it. Provide required information if needed.

### Connecting to a Bluetooth-enabled device

Bluetooth is a short-range wireless communications technology. Use Bluetooth to establish a wireless connection between your computer and another Bluetooth-enabled device within a distance of about 10 m (32.8 ft).

**Note:** The Bluetooth feature is available only on some models.

To connect to a Bluetooth-enabled device, do the following:

1. Turn on the Bluetooth feature of your computer. Ensure that the Bluetooth-enabled device is located within a distance of about 10 m (32.8 ft) from your computer.

2. Click the Bluetooth icon in the Windows notification area on the taskbar. Then, click **Add a Device** and follow the instructions on the screen.

**Note:** If the Bluetooth icon is not displayed in the Windows notification area, add the icon to the notification area. See the Windows help system.



---

## Chapter 4. You and your computer

This chapter provides information about accessibility, ergonomic, and cleaning and maintenance.

---

### Arranging your workspace

Arrange your workspace to suit your needs and the kind of work you do. This section provides information about the factors that affect the way you arrange your workspace.

### Glare and lighting

Position the monitor to minimize glare and reflections from overhead lights, windows, and other light sources. Reflected light from shiny surfaces can cause annoying reflections on your screen. When possible, place the monitor at right angles to windows and other light sources. If necessary, reduce overhead lighting by turning off lights or using lower wattage bulbs. If you install the monitor near a window, use curtains or blinds to block the sunlight. You can adjust the brightness and contrast controls on the monitor as the room lighting changes throughout the day.

Where it is impossible to avoid reflections or to adjust the lighting, an antiglare filter placed over the screen might be helpful. However, these filters might affect the clarity of the image on the screen; try them only after you have exhausted other methods of reducing glare.

### Air circulation

Your computer produces heat. The computer has a fan that pulls in fresh air and forces out hot air through the air vents. Blocking the air vents can cause overheating, which might result in a malfunction or damage. Position the computer so that nothing blocks the air vents; usually, 51 mm (2 inches) of air space is sufficient. Ensure that the vented air is not blowing on people.

### Electrical outlet locations and cable lengths

The following factors might determine the final placement of your computer:

- Locations of electrical outlets
- Length of power cords or power adapters
- Length of the cables that are connected to other devices

For more information about power cords or power adapters, see “Power cords and power adapters” on page 1.

### Comfort

Although no single working position is ideal for everyone, here are a few guidelines to help you find a position that suits you best. The following figure sets an example for your reference.



- Screen position: Keep the screen at a comfortable viewing distance, usually 51–61 cm (20–24 inches). Then, adjust the screen so that the top of the screen is at or slightly below eye level and you can view it without twisting your body.
- Chair position: Use a chair that gives you good back support and seat height adjustment. Use chair adjustments to best suit your desired posture.
- Head position: Keep your head and neck in a comfortable and neutral (vertical or upright) position.
- Arm and hand positions: Keep your forearms, wrists, and hands in a relaxed and neutral (horizontal) position. Type with a soft touch without pounding the keys.
- Leg position: Keep your thighs parallel to the floor and your feet flat on the floor or on a footrest.

Make minor modifications in your working posture to deter the onset of discomfort caused by long periods of working in the same position. Frequent short breaks from your work also help to prevent minor discomfort associated with your working posture.

---

## Accessibility information

Lenovo is committed to providing users who have hearing, vision, and mobility limitations with greater access to information and technology. This section provides information about the ways these users can get the most out of their computer experience. You also can get the most up-to-date accessibility information from the following Web site:

<https://www.lenovo.com/accessibility>

### Keyboard shortcuts

The following list contains keyboard shortcuts that can help make your computer easier to use.

**Note:** Depending on your keyboard, some of the following keyboard shortcuts might not be available.

- **Windows logo key + U:** Open Ease of Access Center
- **Right Shift for eight seconds:** Turn on or turn off Filter Keys
- **Shift five times:** Turn on or turn off Sticky Keys
- **Num Lock for five seconds:** Turn on or turn off Toggle Keys
- **Left Alt+Left Shift+Num Lock:** Turn on or turn off Mouse Keys
- **Left Alt+Left Shift+PrtScn (or PrtSc):** Turn on or turn off High Contrast

For more information, go to <https://windows.microsoft.com/>, and then search using any of the following keywords: keyboard shortcuts, key combinations, shortcut keys.

### Ease of Access Center

Ease of Access Center on the Windows operating system enables you to configure your computer to suit your physical and cognitive needs.

To use Ease of Access Center, do the following:

1. Click the Start button to open the Start menu.
2. Click **Settings → Ease of Access**.
3. Choose the appropriate tool by following the instructions on the screen.

Ease of Access Center mainly includes the following tools:

- **Magnifier**  
Magnifier is a useful utility that enlarges the entire screen or part of the screen so that you can see the items better.
- **Narrator**  
Narrator is a screen reader that reads aloud what is displayed on the screen and describes events such as error messages.
- **On-Screen Keyboard**  
To input data into your computer using a mouse, joystick, or other pointing devices instead of a physical keyboard, you can use On-Screen Keyboard.
- **High Contrast**  
High Contrast is a feature that heightens the color contrast of some text and images on your screen. As a result, those items are more distinct and easier to identify.
- **Personalized keyboard**  
Adjust keyboard settings to make your keyboard easier to use. For example, you can use your keyboard to control the pointer and type certain key combinations easier.
- **Personalized mouse**  
Adjust mouse settings to make your mouse easier to use. For example, you can change the pointer appearance and make it easier to manage windows with the mouse.

## **Speech Recognition**

Speech Recognition enables you to control your computer by voice.

Using only your voice, you can start programs, open menus, click objects on the screen, dictate text into documents, and write and send e-mails. Everything you do with the keyboard and mouse can be done with only your voice.

To use Speech Recognition, do the following:

1. Click the Start button to open the Start menu.
2. Click **Windows System → Control Panel**.
3. View Control Panel by Large icons or Small icons, and then click **Speech Recognition**.
4. Follow the instructions on the screen.

## **Screen-reader technologies**

Screen-reader technologies are primarily focused on software program interfaces, help information systems, and various online documents. For additional information about screen readers, see the following:

- Using PDFs with screen readers:  
<https://www.adobe.com/accessibility.html?promoid=DJGVE>
- Using the JAWS screen reader:  
<https://www.freedomscientific.com/Products/Blindness/JAWS>
- Using the NVDA screen reader:

<https://www.nvaccess.org/>

### Screen resolution

You can make the text and images on your screen easier to read by adjusting the screen resolution of your computer.

To adjust the screen resolution, do the following:

1. Right-click a blank area on the desktop.
2. Click **Display settings → Display**.
3. Follow the instructions on the screen.

**Note:** Setting the resolution too low might prevent some items from fitting on the screen.

### Customizable item size

You can make the items on your screen easier to read by changing the item size.

- To change the item size temporarily, use the Magnifier tool in Ease of Access Center.
- To change the item size permanently, do the following:
  - Change the size of all the items on your screen. Do the following:
    1. Right-click a blank area on the desktop.
    2. Click **Display settings → Display**.
    3. Follow the on-screen instructions to change the item size. For some applications, your configuration might not take effect until you sign out and then sign in again.
  - Change the size of the items on a Web page.

Press and hold Ctrl, and then press the plus-sign key (+) to enlarge or the minus-sign key (-) to reduce the text size.
  - Change the size of the items on the desktop or a window.

**Note:** This function might not work on some windows.

If your mouse has a wheel, press and hold Ctrl, and then scroll the wheel to change the item size.

### Industry-standard connectors

Your computer provides industry-standard connectors that enable you to connect assistive devices.

For more information about the location and function of each connector, see “Hardware locations” on page 29.

### TTY/TDD conversion modem

Your computer supports the use of a text telephone (TTY) or the telecommunications device for the deaf (TDD) conversion modem. The modem must be connected between your computer and a TTY/TDD telephone. Then, you can type a message on your computer and send it to the telephone.

### Documentation in accessible formats

Lenovo provides electronic documentation in accessible formats, such as properly tagged PDF files or HyperText Markup Language (HTML) files. Lenovo electronic documentation is developed to ensure that visually impaired users can read the documentation through a screen reader. Each image in the documentation also includes adequate alternative text so that visually impaired users can understand the image when they use a screen reader.

---

## Cleaning your computer

**Attention:** Do not open your computer or attempt any repair before reading and understanding the Chapter 1 “Read this first: Important safety information” on page 1. Properly remove or install your computer cover. See Chapter 9 “Hardware removal and installation” on page 91.

**CAUTION:**

**Remove any media from the drives and turn off all connected devices and the computer. Then, disconnect all power cords from electrical outlets and disconnect all cables that are connected to the computer.**

It is a good practice to clean your computer periodically to protect the surfaces and ensure trouble-free operation. Use only mild cleaning solutions and a damp cloth to clean the painted surfaces of the computer.

Dust buildup compounds problems associated with glare, so remember to clean the screen periodically. Wipe the screen surface gently with a soft, dry cloth, or blow on the screen to remove grit and other loose particles. Depending on the type of the screen, moisten a soft, lint-free cloth with an LCD cleaner or liquid glass cleaner and then wipe the screen surface.

---

## Maintenance

With appropriate care and maintenance, your computer will serve you reliably. This section provides instructions on how to maintain your computer so that it can keep working in better condition.

### Basic maintenance tips

Here are some basic points about keeping your computer functioning properly:

- Keep your computer in a clean, dry environment. Ensure that the computer rests on a flat, steady surface.
- Do not cover any of air vents. These air vents provide airflow to keep your computer from overheating.
- Keep food and drinks away from all parts of your computer. Food particles and spills might make the keyboard and mouse stick and unusable.
- Do not get the power switches or other controls wet. Moisture can damage these parts and cause an electrical hazard.
- Always disconnect a power cord by grasping the plug instead of the cord.

### Good maintenance practices

By performing a few good maintenance practices, you can maintain good computer performance, protect your data, and be prepared in case of a computer failure.

- Empty your recycle bin on a regular basis.
- Use the disk defragmentation or disk optimization feature of your operating system occasionally to prevent performance problems caused by an excessive number of fragmented files.
- Clean out your Inbox, Sent Items, and Deleted Items folders in your e-mail application on a regular basis.
- Back up critical data regularly on removable media memory, such as discs and USB storage devices, and store the removable media in a safe location. The frequency of making backup copies depends on how critical the data is to you or your business.
- Back up your data on the storage drive regularly. See “Recovery information” on page 80.
- Keep your computer software, device drivers, and operating system up-to-date. See “Keeping your computer current” on page 54.

- Keep a log book. Entries might include major software or hardware changes, device-driver updates, intermittent problems and what you did to resolve them, and other issues you might have experienced. The cause of a problem might be change in hardware, change in software, or any other actions that might have taken place. A log book can help you or a Lenovo technician determine the cause of a problem.
- Create Product Recovery discs. See “Recovery information” on page 80 for more information about using Product Recovery discs to restore the hard disk drive to the factory-default settings.

## Keeping your computer current

In most cases, it is a good practice to have the most up-to-date operating system update patches, software programs, and device drivers. This section provides instructions on how to get the latest updates for your computer.

### Getting the latest system updates

To get the latest system updates for your computer, ensure that your computer is connected to the Internet and do one of the following:

- Open Lenovo Vantage to check the available update packages. If the latest update package is available, follow the on-screen instructions to download and install the package.

To open the Lenovo Vantage program, see “Accessing a program on your computer” on page 43.

- Use Windows Update to get the system updates, such as security fixes, new versions of Windows components, and device driver updates.
  1. Click the Start button to open the Start menu.
  2. Click **Settings → Update & Security → Windows Update**.
  3. Follow the instructions on the screen.

**Note:** The device drivers provided by Windows Update might not be tested by Lenovo. It is recommended that you get device drivers by using Lenovo programs or from the Lenovo Web site at <https://support.lenovo.com>.

---

## Moving your computer

Before moving your computer, take the following precautions:

1. Back up your data on the storage drive. See “Good maintenance practices” on page 53.
2. Remove any media from the drives and turn off all connected devices and the computer. Then, disconnect all power cords from electrical outlets and disconnect all cables that are connected to the computer.
3. If you saved the original shipping cartons and packing materials, use them to pack the units. If you are using different cartons, cushion the units to avoid damage.

### Moving your computer to another country or region

When you move your computer to another country or region, you must take local electrical standards into consideration. If the local electrical outlet style is different from the type you are using, use either an electrical plug adapter or a new power cord. To purchase such items, contact the Lenovo Customer Support Center. For a list of Lenovo Support phone numbers, go to <https://pcsupport.lenovo.com/supportphonenumberlist>. If you cannot find the support telephone number for your country or region, contact your Lenovo reseller.

---

## Chapter 5. Security

This chapter provides information about how to protect your computer from unauthorized use.

---

### Locking your computer

This section provides instructions on how to lock your computer with the locking devices to keep your computer safe.

### Enabling or disabling the E-lock

Your computer may have a security lock solution installed to protect the computer from unauthorized tampering of the internal components. Using the E-Lock, you can mechanically lock or unlock the computer cover.

To enable or disable the E-Lock, do the following:

1. Turn on or restart the computer.
2. Before Windows starts up, repeatedly press and release the F1 or Fn+F1 key until the Setup Utility program opens.
3. Click **Security** → **Electronic Lock** to enable or disable the E-lock.
4. Press F10 or Fn+F10 to save the changes and reboot the computer.

**Note:** Changes do not take effect until the setting is saved and the system is rebooted.

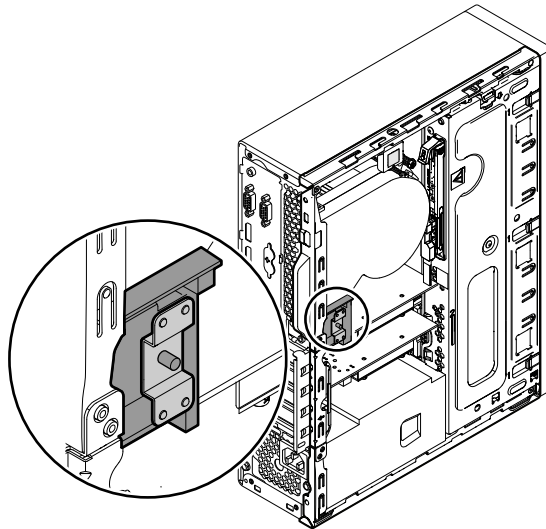


Figure 8. Enabling or disabling the E-lock

### Locking the computer cover

Locking the computer cover helps prevent unauthorized people from gaining access to the inside of your computer. Your computer comes with a padlock loop.

**Note:** The computer hardware might look slightly different from the illustration.

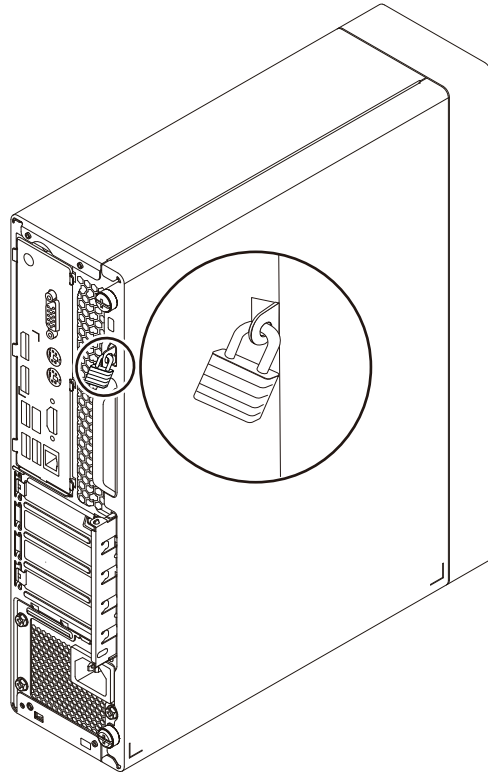


Figure 9. Padlock



## Attaching a Kensington-style cable lock

You can use a Kensington-style cable lock to secure your computer to a desk, table, or other non-permanent fixture. The cable lock attaches to the security-lock slot at the rear of your computer. Depending on the type selected, the cable lock can be operated with a key or combination. You can order such a cable lock directly from Lenovo by searching for *Kensington* at:

<https://support.lenovo.com>

**Note:** The computer hardware might look slightly different from the illustration.

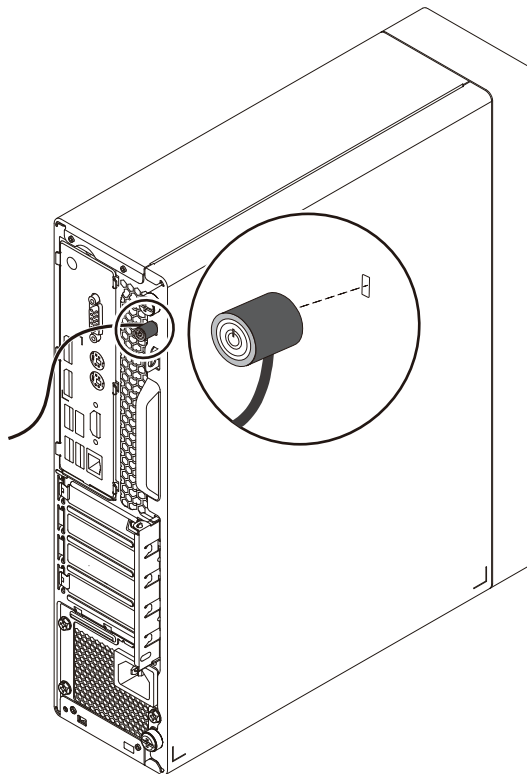


Figure 10. Kensington-style cable lock

## Attaching a cable lock

A cable lock can be used to secure devices, such as the keyboard and the mouse, by locking the device cables to your computer. The cable lock attaches to the cable-lock slots on the rear of your computer.

**Note:** The computer hardware might look slightly different from the illustration.

To attach a cable lock, do the following:

1. Insert the clip **3** into the cable-lock slot **2**.
2. Pull the cables you want to lock through the dents in the cable lock.
3. Press the clip **4** into the cable-lock slot **1** until it snaps into position.

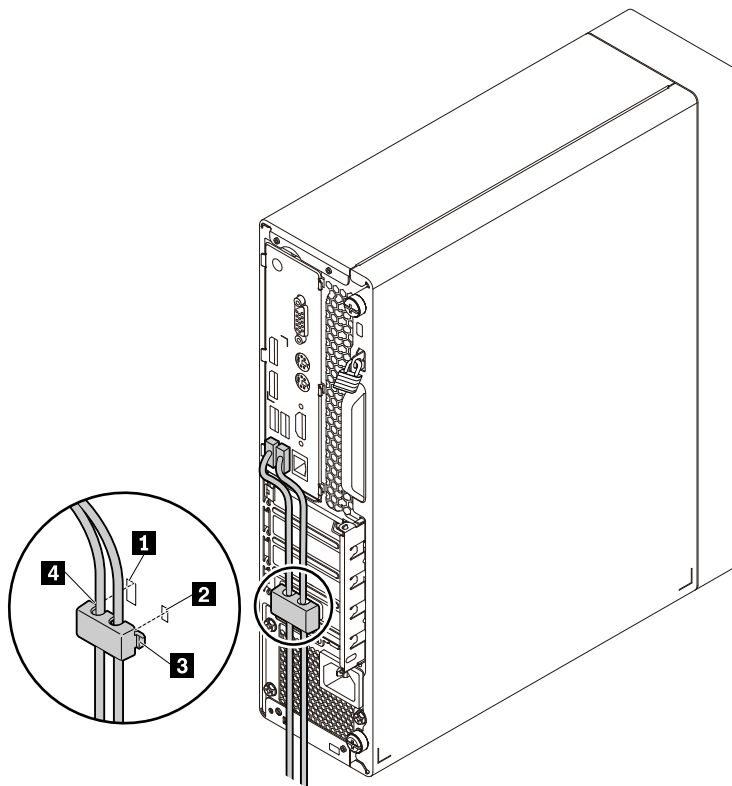


Figure 11. Installing a cable lock

---

## Viewing and changing security settings in the Setup Utility program

To view and change security settings in the Setup Utility program, do the following:

1. Start the Setup Utility program. See “Starting the Setup Utility program” on page 61.
2. Select **Security**.
3. Follow the instructions on the right side of the screen to view and change security settings. You can refer to “Using the Setup Utility program” on page 61 to get basic information about some major security settings.
4. To save settings and exit the Setup Utility program, press F10 or Fn+F10 (depending on the keyboard settings). Then, select **Yes** in the window displayed, and press Enter.

---

## Using passwords and Windows accounts

You can use BIOS passwords and Windows accounts to prevent unauthorized access to your computer and data. To use the BIOS passwords or the Windows accounts, do the following:

- To use BIOS passwords, see “Using BIOS passwords” on page 64.
- To use Windows accounts, do the following:

1. Click the Start button to open the Start menu.
2. Click **Settings → Accounts**.
3. Follow the instructions on the screen.

---

## Using the cover presence switch

The cover presence switch prevents your computer from logging in to the operating system when the computer cover is not properly installed or closed.

To use the cover presence switch, enable the cover-presence-switch connector on the system board first. To achieve this, do the following:

1. Start the Setup Utility program. See “Starting the Setup Utility program” on page 61.
2. Select **Security → Chassis Intrusion Detection** and press Enter.
3. Select **Enabled** and press Enter.
4. To save settings and exit the Setup Utility program, press F10 or Fn+F10 (depending on the keyboard settings), select **Yes** in the window displayed, and press Enter. The cover-presence-switch connector on the system board is enabled.

The cover presence switch starts functioning. If the switch detects that the computer cover is not correctly installed or closed, an error message is displayed when you turn on the computer. To fix the error and log in to the operating system, do the following:

1. Properly remove or install your computer cover. See Chapter 9 “Hardware removal and installation” on page 91.
2. Start and then exit the Setup Utility program. See “Starting the Setup Utility program” on page 61 and “Exiting the Setup Utility program” on page 66.

---

## Using firewalls

A firewall can be hardware, software, or a combination of both depending on the level of security required. Firewalls work on a set of rules to determine which inbound and outbound connections are authorized. If your computer is preinstalled with a firewall program, it helps protect against computer Internet security threats, unauthorized access, intrusions, and Internet attacks. It also protects your privacy. For more information about how to use the firewall program, refer to the help system of your firewall program.

To use Windows Firewall, do the following:

1. Click the Start button to open the Start menu.
2. Click **Windows System → Control Panel**.
3. View Control Panel by Large icons or Small icons, and then click **Windows Defender Firewall**.
4. Follow the instructions on the screen.

---

## Protecting data against viruses

Your computer is preinstalled with an antivirus program to help you guard against, detect, and eliminate viruses.

Lenovo provides a full version of antivirus software on your computer with a free 30-day subscription. After 30 days, you must renew the license to continue receiving the antivirus software updates.

**Note:** Virus definition files must be kept up-to-date to guard against new viruses.

For more information about how to use your antivirus software, refer to the help system of your antivirus software.

---

## Using the Smart USB Protection function

The Smart USB Protection function is a security function that helps prevent data from being copied from the computer to USB storage devices connected to the computer. You can set the Smart USB Protection function to one of the following modes:

- **Disabled** (default setting): You can use the USB storage devices without limitation.
- **Read Only**: You cannot copy data from the computer to the USB storage devices. However, you can access or modify data on the USB storage devices.
- **No Access**: You cannot access the USB storage devices from the computer.

To configure the Smart USB Protection function, do the following:

1. Start the Setup Utility program. See “Starting the Setup Utility program” on page 61.
2. Select **Security** → **Smart USB Protection** and press Enter.
3. Select the desired setting and press Enter.
4. To save settings and exit the Setup Utility program, press F10 or Fn+F10 (depending on the keyboard settings). Then, select **Yes** in the window displayed, and press Enter.

---

## Computrace Agent software embedded in firmware (for selected models)

The Computrace Agent software is an IT asset management and computer theft recovery solution. The software detects if changes have been made on the computer, such as hardware, software, or the computer call-in location. You might have to purchase a subscription to activate the Computrace Agent software.

---

## Trusted Platform Module (TPM)

TPM is a secure cryptoprocessor that stores cryptographic keys, which in turn protects information stored in your computer.

---

## Chapter 6. Advanced configuration

This chapter provides information to help you further configure the computer.

---

### Using the Setup Utility program

The Setup Utility program is used to view and change the configuration settings of your computer. This section provides information about only the major configuration settings available in the program.

**Note:** The operating system settings might override any similar settings in the Setup Utility program.

### Starting the Setup Utility program

To start the Setup Utility program, do the following:

1. Turn on or restart your computer.
2. Before the operating system starts up, repeatedly press and release F1 or Fn+F1 (depending on the keyboard settings). Based on the Setup Utility display mode setting, one of the following situations occurs:
  - Text mode: The Setup Utility program opens.
  - Graphic mode (available on some models): The start screen is displayed. Then, select **Setup** and press Enter to open the Setup Utility program.

**Note:** If a BIOS password has been set, the Setup Utility program will not open until you enter the correct password. For more information, see “Using BIOS passwords” on page 64.

To view and change the configuration settings, follow the instructions on the screen.

### Changing the display language of the Setup Utility program

The Setup Utility program supports three display languages: English, French, and simplified Chinese.

To change the display language of the Setup Utility program, do the following:

1. Start the Setup Utility program. See “Starting the Setup Utility program” on page 61.
2. From the main interface, locate **System Language** and press Enter.
3. Select the display language according to your needs.

### Enabling or disabling a device

This section provides information about how to enable or disable user access to hardware devices (such as USB connectors or storage drives).

To enable or disable a device, do the following:

1. Start the Setup Utility program. See “Starting the Setup Utility program” on page 61.
2. Select **Devices**.
3. Select the device you want to enable or disable and press Enter.
4. Select the desired setting and press Enter.
5. To save settings and exit the Setup Utility program, press F10 or Fn+F10 (depending on the keyboard settings). Then, select **Yes** in the window displayed, and press Enter.

## Enabling or disabling the automatic power-on of your computer

The Automatic Power On item in the Setup Utility program provides various options for you to make your computer start up automatically.

To enable or disable the Automatic Power On features, do the following:

1. Start the Setup Utility program. See “Starting the Setup Utility program” on page 61.
2. Select **Power → Automatic Power On** and press Enter.
3. Select the feature you want to enable or disable and press Enter.
4. Select the desired setting and press Enter.
5. To save settings and exit the Setup Utility program, press F10 or Fn+F10 (depending on the keyboard settings). Then, select **Yes** in the window displayed, and press Enter.

## Enabling or disabling the ErP LPS compliance mode

Lenovo computers meet the eco-design requirements of the ErP Lot 3 regulation. For more information, go to:

<https://www.lenovo.com/ecodeclaration>

You can enable the ErP LPS compliance mode in the Setup Utility program to reduce the consumption of electricity when your computer is off or in sleep mode.

To enable or disable the ErP LPS compliance mode, do the following:

1. Start the Setup Utility program. See “Starting the Setup Utility program” on page 61.
2. Select **Power → Enhanced Power Saving Mode** and press Enter.
3. Select **Enabled** or **Disabled** depending on your needs, and then press Enter. If you select **Enabled**, you also need to disable the Wake on LAN feature. See “Enabling or disabling the automatic power-on of your computer” on page 62.
4. To save settings and exit the Setup Utility program, press F10 or Fn+F10 (depending on the keyboard settings). Then, select **Yes** in the window displayed, and press Enter.

When the ErP LPS compliance mode is enabled, you can wake up your computer by doing one of the following:

- Press the power button.
- Enable the Wake Up on Alarm feature to make your computer wake up at a set time. See “Enabling or disabling the automatic power-on of your computer” on page 62.
- Enable the After Power Loss feature to make your computer wake up when the power supply resumes after a sudden loss of electricity.

To enable the After Power Loss feature, do the following:

1. Start the Setup Utility program. See “Starting the Setup Utility program” on page 61.
2. Select **Power → After Power Loss** and press Enter.
3. Select **Power On** and press Enter.
4. To save settings and exit the Setup Utility program, press F10 or Fn+F10 (depending on the keyboard settings). Then, select **Yes** in the window displayed, and press Enter.

## Switching between better acoustic and better thermal performance

You can adjust the acoustic and thermal performance of your computer through the **ICE Performance Mode** menu. Two choices are available:

- **Better Acoustic Performance** (default setting): This computer works with less noise at a normal thermal level.
- **Better Thermal Performance**: The computer works at a better thermal level with normal acoustic performance.

To switch between better acoustic performance and better thermal performance, do the following:

1. Start the Setup Utility program. See “Starting the Setup Utility program” on page 61.
2. Select **Power → Intelligent Cooling Engine (ICE)** and press Enter.
3. Select **ICE Performance Mode** and press Enter.
4. Select **Better Acoustic Performance** or **Better Thermal Performance** as desired and press Enter.
5. To save settings and exit the Setup Utility program, press F10 or Fn+F10 (depending on the keyboard settings). Then, select **Yes** in the window displayed, and press Enter.

## Enabling or disabling the system to record thermal alert logs

When the ICE thermal alert feature is enabled, if a critical thermal situation occurs, an alert log is written into the Windows system log. The alert log can help you identify thermal problems, such as malfunctioning fans, abnormally high temperature, or poor cooling performances.

To enable or disable the system to record thermal alert logs, do the following:

1. Start the Setup Utility program. See “Starting the Setup Utility program” on page 61.
2. Select **Power → Intelligent Cooling Engine (ICE)** and press Enter.
3. Select **ICE Thermal Alert** and press Enter.
4. Select the desired setting and press Enter.
5. To save settings and exit the Setup Utility program, press F10 or Fn+F10 (depending on the keyboard settings). Then, select **Yes** in the window displayed, and press Enter.

## Enabling or disabling the configuration change detection

With the configuration-change detection enabled, if the POST detects configuration changes of some hardware devices (such as storage drives or memory modules), an error message is displayed.

To enable or disable the configuration change detection, do the following:

1. Start the Setup Utility program. See “Starting the Setup Utility program” on page 61.
2. Select **Security → Configuration Change Detection** and press Enter.
3. Select the desired setting and press Enter.
4. To save settings and exit the Setup Utility program, press F10 or Fn+F10 (depending on the keyboard settings). Then, select **Yes** in the window displayed, and press Enter.

To bypass the error message and log in to the operating system, do one of the following:

- Press F2 or Fn+F2 (depending on the keyboard settings).
- Start and then exit the Setup Utility program. See “Starting the Setup Utility program” on page 61 and “Exiting the Setup Utility program” on page 66.

## Changing the BIOS settings before installing a new operating system

BIOS settings vary by operating system. Change the BIOS settings before installing a new operating system.

To change the BIOS settings, do the following:

1. Start the Setup Utility program. See “Starting the Setup Utility program” on page 61.
2. From the main interface, select **Exit → OS Optimized Defaults** and press Enter.
3. Depending on the operating system to be installed, do one of the following:
  - To install the Windows 10 (64-bit) operating system, select **Enabled** and press Enter.
  - To install an operating system other than Windows 10 (64-bit), select **Disabled** and press Enter.
4. Select **Yes** in the window displayed and press Enter to confirm your selection.
5. To save settings and exit the Setup Utility program, press F10 or Fn+F10 (depending on the keyboard settings). Then, select **Yes** in the window displayed, and press Enter.

## Using BIOS passwords

By using the Setup Utility program, you can set passwords to prevent unauthorized access to your computer and data.

You do not have to set any passwords to use your computer. However, using passwords improves computer security. If you decide to set any passwords, read the following topics.

### Password types

The following types of passwords are available in the Setup Utility program:

- Power-on password

When a power-on password is set, you are prompted to enter a valid password each time the computer is turned on. The computer cannot be used until the valid password is entered.

- Administrator password

Setting an administrator password deters unauthorized users from changing configuration settings. If you are responsible for maintaining the configuration settings of several computers, you might want to set an administrator password.

When an administrator password is set, you are prompted to enter a valid password each time you try to access the Setup Utility program. The Setup Utility program cannot be accessed until a valid password is entered.

If both the power-on password and administrator password are set, you can enter either password. However, you must use your administrator password to change any configuration settings.

- Hard disk password

Setting a hard disk password prevents unauthorized access to the data on the internal storage drive (such as a hard disk drive). When a hard disk password is set, you are prompted to enter a valid password each time you try to access the storage drive.

#### Notes:

- Even if the storage drive is removed from one computer and installed in another, the hard-disk password is still valid.
- If the hard disk password is forgotten, there is no way to reset the password or recover data from the storage drive.

### Password considerations

A password can be any combination of up to 64 alphabetic and numeric characters. For security reasons, it is recommended to use a strong password that cannot be easily compromised.

**Note:** The Setup Utility program passwords are case-sensitive.

To set a strong password, consider the following guidelines:



- Have at least eight characters in length
- Contain at least one alphabetic character and one numeric character
- Not be your name or your user name
- Not be a common word or a common name
- Be significantly different from your previous passwords

### Setting, changing, or deleting a password

To set, change, or delete a password, do the following:

1. Start the Setup Utility program. See “Starting the Setup Utility program” on page 61.
2. Select **Security**.
3. Depending on the password type, select **Set Power-On Password**, **Set Administrator Password**, or **Hard Disk Password** and press Enter.
4. Follow the instructions on the right side of the screen to set, change, or delete a password.

**Note:** A password can be any combination of up to 64 alphabetic and numeric characters. For more information, see “Password considerations” on page 64.

5. To save settings and exit the Setup Utility program, press F10 or Fn+F10 (depending on the keyboard settings). Then, select **Yes** in the window displayed, and press Enter.

### Erasing lost or forgotten passwords (clearing CMOS)

This section provides instructions on how to erase lost or forgotten passwords, such as a user password.

**Note:** The instructions in this section do not apply to the hard disk password.

To erase a lost or forgotten password, do the following:

1. Remove any media from the drives and turn off all connected devices and the computer. Then, disconnect all power cords from electrical outlets and disconnect all cables that are connected to the computer.
2. Remove the computer cover. See Chapter 9 “Hardware removal and installation” on page 91.
3. Locate the Clear Complementary Metal Oxide Semiconductor (CMOS) /Recovery jumper on the system board. See “Hardware locations” on page 29.
4. Move the jumper from the standard position (pin 1 and pin 2) to the maintenance position (pin 2 and pin 3).
5. Reinstall the computer cover and connect the power cord. See Chapter 9 “Hardware removal and installation” on page 91.
6. Turn on the computer and leave it on for approximately 10 seconds. Then, turn off the computer by holding the power button for approximately five seconds.
7. Repeat step 1 and step 2.
8. Move the Clear CMOS /Recovery jumper back to the standard position (pin 1 and pin 2).
9. Reinstall the computer cover and connect the power cord.
10. Turn on the computer and the monitor. When the logo screen is displayed, press F1 or Fn+F1.
11. To prevent data loss, ensure that BIOS settings are restored to an earlier point.

### Selecting a startup device

If your computer does not start up from the expected device, you can either change the startup device sequence or select a temporary startup device.

## Changing the startup device sequence permanently

To change the startup device sequence permanently, do the following:

1. Depending on the type of the storage device, do one of the following:
  - If the storage device is internal, go to step 2.
  - If the storage device is a disc, ensure that your computer is turned on. Then, insert the disc into the optical drive.
  - If the storage device is an external device other than a disc, connect the storage device to the computer.
2. Start the Setup Utility program. See “Starting the Setup Utility program” on page 61.
3. Select **Startup**.
4. Follow the instructions on the right side of the screen to change the startup device sequence.
5. To save settings and exit the Setup Utility program, press F10 or Fn+F10 (depending on the keyboard settings). Then, select **Yes** in the window displayed, and press Enter.

## Selecting a temporary startup device

**Note:** Not all discs and storage drives are bootable.

To select a temporary startup device, do the following:

1. Depending on the type of the storage device, do one of the following:
  - If the storage device is internal, go to step 2.
  - If the storage device is a disc, ensure that your computer is turned on. Then, insert the disc into the optical drive.
  - If the storage device is an external device other than a disc, connect the storage device to the computer.
2. Turn on or restart the computer. Before Windows starts up, repeatedly press and release F12 or Fn+F12 (depending on the keyboard settings) until Startup Device Menu is displayed.
3. Select the desired storage device and press Enter. The computer then starts up from the device you select.

If you want to select a permanent startup device, select **Enter Setup** on Startup Device Menu and press Enter to start the Setup Utility program. For more information about how to select a permanent startup device, see “Changing the startup device sequence permanently” on page 66.

## Exiting the Setup Utility program

To exit the Setup Utility program, do one of the following:

- If you want to save the new settings, press F10 or Fn+F10 (depending on the keyboard settings). Then, select **Yes** in the window displayed and press Enter.
- If you do not want to save the new settings, select **Exit → Discard Changes and Exit** and press Enter. Then, select **Yes** in the window displayed and press Enter.

---

## BIOS level

An incorrect BIOS level can cause false errors and unnecessary FRU replacement. Use the following information to determine the currently installed BIOS level, the latest BIOS level available, and where to obtain the latest BIOS level.

- To determine the currently installed BIOS level, start the Setup Utility program and view the **BIOS Revision Level** on the Main page.

- Sources for obtaining the latest BIOS level available
  - Lenovo support Web site: <http://www.lenovo.com/support>
  - Lenovo Customer Support Center
  - Levels 1 and 2 Support

To update the BIOS, see “Updating and recovering the BIOS” on page 67.

**Note:** BIOS settings vary by operating system. Change the BIOS settings before installing a new operating system. See “Changing the BIOS settings before installing a new operating system” on page 63.

---

## Updating and recovering the BIOS

The BIOS is the first program that the computer runs when you turn on the computer. The BIOS initializes the hardware components and loads the operating system and other programs.

### Updating the BIOS

When you install a new program, hardware device, or device driver, you might be informed to update the BIOS. You can update the BIOS from your operating system or a flash update disc (available only on some models).

To update the BIOS, do the following:

1. Go to <https://support.lenovo.com>.
2. To update the BIOS from your operating system, download the flash BIOS update driver according to your operating system version. To update the BIOS from a flash update disc, download the ISO image version (used to create a flash update disc). Then, download the installation instructions for the flash BIOS update driver.
3. Print the installation instructions you download and follow the instructions to update the BIOS.

**Note:** If you want to update the BIOS from a flash update disc, the installation instructions might not provide the instructions on how to record the update disc. See “Recording a disc” on page 46.

### Recovering from a BIOS update failure

To recover from a BIOS update failure, do the following:

1. Remove any media from the drives and turn off all connected devices and the computer. Then, disconnect all power cords from electrical outlets and disconnect all cables that are connected to the computer.
2. Remove the computer cover. See Chapter 9 “Hardware removal and installation” on page 91.
3. Locate the Clear CMOS /Recovery jumper on the system board. See “Hardware locations” on page 29.
4. Remove any parts and cables that impede your access to the Clear CMOS /Recovery jumper.
5. Move the jumper from the standard position (pin 5 and pin 6) to the maintenance position (pin 2 and pin 4).
6. Reinstall the parts and cables that were removed.
7. Reinstall the computer cover and reconnect any cables that were disconnected. See Chapter 9 “Hardware removal and installation” on page 91.
8. Turn on the computer and insert the BIOS update disc into the optical drive. Wait a few minutes. The recovery process begins. After the recovery process is completed, your computer will shut down automatically.

**Note:** If the computer does not start up from the disc, select the disc as the startup device. See “Selecting a temporary startup device” on page 66.

9. Repeat steps 1–4.
10. Move the Clear CMOS /Recovery jumper back to the standard position (pin 5 and pin 6).
11. Repeat step 6 and step 7.
12. Turn on the computer and the monitor. When the logo screen is displayed, press F1 or Fn+F1.
13. To prevent data loss, ensure that BIOS settings are restored to an earlier point.

---

## Configuring RAID

This chapter provides information about how to configure Redundant Array of Independent Disks (RAID) for your computer.

### An Introduction to RAID

RAID is a technology that provides increased storage functions and reliability through redundancy.

When a group of independent physical storage drives is set up to use RAID technology, they are in a RAID array. This array distributes data across multiple storage drives, but the array appears to the host computer as one single storage unit. Creating and using RAID arrays provides high performance, such as the expedited I/O performance, because several drives can be accessed simultaneously.

RAID drive groups configured according to certain RAID levels also improve data storage reliability and fault tolerance compared with single-drive storage systems. Data loss resulting from a drive failure can be prevented by reconstructing missing data from the remaining drives.

**Note:** For RAID 0, the missing data resulting from a drive failure cannot be reconstructed.

### RAID Level

Your computer must have the minimum number of SATA storage drives installed for the supported level of RAID below:

- RAID 0: striped disk array
  - Consists of at least two SATA storage drives
  - Supported strip size: 4 KB, 8 KB, 16 KB, 32 KB, 64 KB, or 128 KB
  - Better performance without fault tolerance
- RAID 1: mirrored disk array
  - Consists of two SATA storage drives
  - Improved reading performance and 100% redundancy

To install an additional storage drive, refer to “Storage drive cage” on page 122.

### Configuring the system BIOS to enable SATA RAID functionality

This section describes how to configure the system BIOS to enable SATA RAID functionality.

**Note:** Use the arrow keys on the keyboard to make selections.

To enable SATA RAID functionality, do the following:

1. Start the Setup Utility program. See “Starting the Setup Utility program” on page 61.
2. Select **Devices → ATA Drive Setup** and press Enter.
3. Select **Configure SATA as** and press Enter.

4. Select **RAID** and press Enter.
5. Press F10 or Fn+F10 (depending on the keyboard) to save the new settings and exit the Setup Utility program.

## Configuring RAID in UEFI mode

This section provides instructions on how to configure RAID in UEFI mode.

### Creating RAID volumes in UEFI mode

**Attention:** All the existing data stored on the selected drives will be erased while the RAID volume is being created.

To create RAID volumes, do the following:

1. Start the Setup Utility program. See “Starting the Setup Utility program” on page 61.
2. Select **Devices → ATA Drive Setup** and press Enter.
3. Select **Intel (R) Rapid Storage Technology** and press Enter.
4. Select **Create RAID Volume** and press Enter.
5. Select **Name** and press Enter. When prompted, type a proper RAID Volume name in the field.
6. Select **RAID Level** and press Enter. When prompted, select a RAID level in the field.
7. Use the arrow keys and the space key to mark individual physical storage drives to be added in the RAID volume.
8. Select **Strip Size** and press Enter. When prompted, select a strip size in the field.
9. Select **Capacity** and type a volume size in the field.
10. Select **Create Volume** and press Enter to initiate volume creation.

### Deleting RAID volumes in UEFI mode

**Attention:** All the existing data stored on the selected drives will be erased after you delete RAID volumes.

To delete RAID volumes, do the following:

1. Start the Setup Utility program. See “Starting the Setup Utility program” on page 61.
2. Select **Devices → ATA Drive Setup** and press Enter.
3. Select **Intel (R) Rapid Storage Technology** and press Enter.
4. Select the RAID volume to be deleted and press Enter.
5. Select **Delete** and press Enter.
6. Select **Yes** to confirm the deletion of the selected RAID volume. Deleting a RAID volume will reset the storage drives to non-RAID.

### Resetting storage drives to non-RAID in UEFI mode

To reset your storage drives to non-RAID, do the following:

1. Start the Setup Utility program. See “Starting the Setup Utility program” on page 61.
2. Select **Devices → ATA Drive Setup** and press Enter.
3. Select **Intel (R) Rapid Storage Technology** and press Enter.
4. Select the RAID volumes and press Enter to view the detailed information. Select the storage drives you want to reset to non-RAID and then press Enter.
5. Select **Reset to Non-RAID** and press Enter.
6. Select **Yes** to reset the storage drives to non-RAID.

## Configuring RAID in legacy mode

This section provides instructions on how to configure RAID in legacy mode.

### Creating RAID volumes in legacy mode

To create RAID volumes, do the following:

1. Press Ctrl+I when prompted to enter the Intel (R) Rapid Storage Technology configuration utility during the computer startup.
2. Use the up and down arrow keys to select **Create RAID Volume** and press Enter.
3. Type a proper RAID Volume name in the **Name** field and press Tab.
4. Use the arrow keys to select a RAID level in the **RAID Level** field and press Tab.
5. If appropriate, use the arrow keys to select a Stripe Size in the **Stripe Size** field and press Tab.
6. Type a volume size in the **Capacity** field and press Tab.
7. Press Enter to initiate volume creation.
8. When prompted, press Y to accept the warning message and create the volume.
9. Return to step 2 to create additional RAID volumes, or select **Exit** and press Enter.
10. Press Y when prompted to confirm the exit.

### Deleting RAID volumes in legacy mode

To delete RAID volumes, do the following:

1. Press Ctrl+I when prompted to enter the Intel (R) Rapid Storage Technology configuration utility during the computer startup.
2. Use the up and down arrow keys to select **Delete RAID Volume** and press Enter.
3. Use the arrow keys to select the RAID volume to be deleted and press Delete.
4. When prompted, press Y to confirm the deletion of the selected RAID volume. Deleting a RAID volume will reset the storage drives to non-RAID.

### Resetting storage drives to non-RAID in legacy mode

To reset your storage drives to non-RAID, do the following:

1. Press Ctrl+I when prompted to enter the Intel (R) Rapid Storage Technology configuration utility during the computer startup.
2. Use the up and down arrow keys to select **Reset Disks to Non-RAID** and press Enter.
3. Use the arrow keys and the space key to mark individual physical storage drives to be reset, and then press Enter to complete the selection.
4. When prompted, press Y to confirm the reset action.

---

## Chapter 7. Troubleshooting, diagnostics, and recovery

This chapter provides solutions to resolve your computer problems. Follow the steps in the basic procedure for resolving computer problems, which helps you make good use of the troubleshooting, diagnostics, and recovery information.

---

### Basic procedure for resolving computer problems

It is recommended that you use the following procedure to resolve computer problems you are experiencing:

1. Ensure that:
  - a. The cables for all connected devices are connected correctly and securely.
  - b. All connected devices that require ac power are connected to properly grounded, functioning electrical outlets.
  - c. All connected devices are enabled in the BIOS settings of your computer. See “Enabling or disabling a device” on page 61.

If these actions do not resolve your problem, continue with the next step.

2. Use an antivirus program to see if your computer has been infected by a virus. If the program detects a virus, remove the virus. If the antivirus program does not resolve your problem, continue with the next step.
3. Go to “Troubleshooting” on page 71 and follow the instructions for the type of problem you are experiencing. If these troubleshooting instructions do not resolve your problem, continue with the next step.
4. Recover your operating system. See “Recovery information” on page 80.
5. If none of these actions solve your problem, contact the Lenovo Customer Support Center. For a list of Lenovo Support phone numbers, go to <https://pcsupport.lenovo.com/supportphonenumber>. For more information about help, service, and technical assistance, see Chapter 10 “Getting information, help, and service” on page 159.

---

### Troubleshooting

**Attention:** Do not open your computer or attempt any repair before reading and understanding the Chapter 1 “Read this first: Important safety information” on page 1.

Use the troubleshooting information to find solutions to problems that have definite symptoms.

### Startup problems

**The computer does not start up when you press the power button.**

Solutions:

Ensure that:

- The power cord is correctly connected to the rear of the computer and to a working electrical outlet.
- If your computer has a secondary power switch on the rear of the computer, ensure that it is switched on.
- The power indicator on the front of the computer is on.
- The computer voltage matches the voltage available at the electrical outlet for your country or region.

### **The operating system fails to start up.**

Solution:

Ensure that the startup device sequence set in the Setup Utility program includes the device where the operating system resides. Usually, the operating system is on the internal storage drive. For more information, see “Changing the startup device sequence permanently” on page 66.

### **The computer beeps multiple times before the operating system starts up.**

Solution:

Ensure that no keys are stuck.

## **Audio problems**

### **The audio cannot be heard on the Windows operating system.**

Solutions:

- If you are using powered external speakers that have an On/Off control, ensure that:
  - The On/Off control is set to the **On** position.
  - The speaker power cable is connected to a properly grounded, functional ac electrical outlet.
- If your external speakers have a volume control, ensure that the volume is not set too low.
- Click the volume icon in the Windows notification area on the taskbar. Ensure that the mute speakers settings are not selected and none of the volume settings is set too low.

**Note:** If the volume icon is not displayed in the Windows notification area, add the icon to the notification area. See the Windows help system.

- For some computers that have a front audio panel, ensure that the volume is not set too low.
- Ensure that your external speakers (and headphones, if used) are connected to the correct audio connectors on the computer. Most speaker cables are color-coded to match the connectors.

**Note:** When external-speaker or headphone cables are connected to the audio connectors, the internal speaker, if present, is disabled. In most cases, if an audio adapter is installed in one of the expansion slots, the audio function built into the system board is disabled. Therefore, you must use the audio connectors on the audio adapter.

- Ensure that the program you are running is designed for use on the Windows operating system. If the program is designed to run in DOS, the program does not use the Windows sound feature. The program must be configured to use Sound Blaster Pro or Sound Blaster emulation.
- Ensure that the audio device drivers are correctly installed.

### **The sound comes from one of the external speakers.**

Solutions:

- Ensure that the speaker cable is inserted completely into the connector on the computer.
- Right-click the volume icon in the Windows notification area on the taskbar. Then, click **Open Volume Mixer** and select the desired speaker. Click the **Levels** tab and ensure that the Balance settings are set correctly.

**Note:** If the volume icon is not displayed in the Windows notification area, add the icon to the notification area. See the Windows help system.



## CD or DVD problems

### **A CD or DVD does not work.**

Solutions:

- Ensure that the power cable and signal cable are securely connected to the drive.
- Ensure that the disc is inserted correctly, with its label up.
- Ensure that the disc you are using is clean. To remove dust or fingerprints, wipe the disc clean with a soft cloth from the center to the outside. Wiping a disc in a circular motion might cause loss of data.
- Ensure that the disc you are using is not scratched or damaged. Try inserting another disc that you know is good. If you cannot read from a known-good disc, you might have a problem with your optical drive or the cabling to your optical drive.
- If you have multiple CD or DVD drives installed (or a combination of CD and DVD drives), try inserting the disc into the other drive. In some cases, only one of the drives is connected to the audio subsystem.

### **A bootable recovery medium, such as the Product Recovery CD, cannot be used to start your computer.**

Solution:

Ensure that the CD or DVD drive is set as the top priority of the Boot Priority Order in the Setup Utility program. Refer to “Selecting a temporary startup device” on page 66 for information about viewing and changing the startup sequence.

**Note:** On some computer models, the startup sequence is permanently set and cannot be changed.

### **A black screen is displayed instead of the DVD video.**

Solutions:

- Restart the DVD player program.
- Try a lower screen resolution or color depth.
- Close any open files, and then restart the computer.

### **A DVD movie does not play.**

Solutions:

- Ensure that the disc surface is clean and not scratched.
- Check the disc or package for regional coding. You might need to purchase a disc with coding for the region where you are using your computer.

### **No audio or only an intermittent audio comes out while a DVD movie is playing.**

Solutions:

- Check the volume control settings on your computer and on your speakers.
- Ensure that the disc surface is clean and not scratched.
- Check all cable connections to and from the speakers.
- Use the DVD menu for the video to select a different audio track.

### **The playback is slow or choppy.**

Solutions:

- Disable any background programs, such as AntiVirus or Desktop Themes.

- Ensure that video resolution is lower than 1152 x 864 pixels.

**A message indicating invalid disc or no disc found is displayed.**

Solutions:

- Ensure that the disc is in the drive with the shiny side of the disc facing down.
- Ensure that video resolution is lower than 1152 x 864 pixels.
- Ensure that the DVD or CD is inserted into an appropriate optical drive. For example, do not insert a DVD into a CD-only drive.

## Intermittent problems

Intermittent problems refer to the problems occur only occasionally and are difficult to repeat.

Solutions:

- Ensure that all cables and cords are securely connected to the computer and attached devices.
- Ensure that when the computer is on, the fan grill is not blocked (there is air flow around the grill), and the fans are working. If airflow is blocked or the fans are not working, the computer might overheat.
- If Small Computer System Interface (SCSI) devices are installed, ensure that the last external device in each SCSI chain is terminated correctly. For more information, see your SCSI documentation.

## Storage drive problems

**Some or all storage drives are missing from the Setup Utility program.**

Solutions:

- Ensure that the signal cables and power cables for all the storage drives are connected correctly.
- If the computer is installed with SAS storage drives, ensure that the AVAGO MegaRAID adapter is correctly connected.

**The computer cannot start up from the correct storage drive or the message “No Operating System Found” is displayed.**

Solutions:

- Ensure that the signal cables and power cables for all the storage drives are connected correctly.
- Ensure that the computer starts up from the correct storage drive. Set the storage drive, on which the operating system resides, as the first startup device in the Setup Utility program. Refer to “Changing the startup device sequence permanently” on page 66.

**Note:** In rare cases, the storage drive with the operating system might get corrupted or damaged. If this problem occurs, replace the storage drive. Refer to Chapter 9 “Hardware removal and installation” on page 91.

## Ethernet LAN problems

**The computer cannot connect to an Ethernet LAN.**

Solutions:

- Connect the cable from the Ethernet connector to the RJ45 connector of the hub.
- Enable the Ethernet LAN feature in the Setup Utility program.
- Enable the Ethernet LAN adapter.

1. Click the Start button to open the Start menu.
  2. Click **Windows System → Control Panel**.
  3. View Control Panel by Large icons or Small icons, and then click **Network and Sharing Center → Change adapter settings**.
  4. Right-click the Ethernet LAN adapter icon and click **Enable**.
- Update or reinstall the Ethernet LAN driver. See “Keeping your computer current” on page 54.
  - Install all networking software that is necessary for your network environment. Check with your LAN administrator for the necessary networking software.
  - Set the same duplex for the switch port and the adapter. If you configured the adapter for full duplex, ensure that the switch port is also configured for full duplex. Setting the wrong duplex mode might degrade performance, cause data loss, or result in lost connections.

**When a Gigabit Ethernet model computer is used at a speed of 1000 Mbps, the Ethernet LAN connection fails or errors occur.**

Solution:

Connect the network cable to the Ethernet connector using Category 5 wiring and a 100 BASE-T hub/switch (not 100 BASE-X).

**A Gigabit Ethernet model computer should connect to the network at a speed of 1000 Mbps but at only a speed of 100 Mbps.**

Solutions:

- Try another cable.
- Set the link partner to auto-negotiate.
- Set the switch to be 802.3ab-compliant (gigabit over copper).

**The Wake On LAN feature does not work.**

Solution:

Enable the Wake On LAN feature in the Setup Utility program.

## Wireless LAN problem

**Note:** The wireless LAN feature is available only on some models.

**The wireless LAN feature does not work.**

Solutions:

- Enable the wireless LAN feature in the Setup Utility program.
- For Windows 10, enable the wireless LAN feature in Windows Settings. Click the Start button to open the Start menu, and then click **Settings → Network & Internet → Wi-Fi**. Turn on the Wi-Fi feature.
- Enable the wireless LAN adapter.
  1. Click the Start button to open the Start menu.
  2. Click **Windows System → Control Panel**.
  3. View Control Panel by Large icons or Small icons, and then click **Network and Sharing Center → Change adapter settings**.
  4. Right-click the wireless LAN adapter icon and click **Enable**.
- Update or reinstall the wireless LAN driver. See “Keeping your computer current” on page 54.

## Bluetooth problems

**Note:** The Bluetooth feature is available only on some models.

### The Bluetooth feature does not work.

Solutions:

- Enable the Bluetooth feature in the Setup Utility program.
- Enable the Bluetooth devices. Do the following:
  1. Right-click the Start button to open the Start context menu.
  2. Click **Device Manager**. Type the administrator password or provide confirmation if prompted.
  3. Expand **Bluetooth** to display the Bluetooth devices. Then, right-click each Bluetooth device and then Click **Enable device**.
  4. Expand **Network adapters**. Then, right-click each Bluetooth device and then Click **Enable device**.
- Turn on the Bluetooth radio on Windows 10. Do the following:
  1. Click the Start button to open the Start menu.
  2. Click **Settings → Devices → Bluetooth & other devices**.
  3. Turn on the **Bluetooth** switch to enable the Bluetooth feature.
- Update or reinstall the Bluetooth driver. See “Keeping your computer current” on page 54.

### No sound comes from the Bluetooth headset or headphones.

Solution:

Set the Bluetooth headset or headphones as the default device.

1. Exit the application that uses the sound device (for example, Windows Media Player).
2. Right-click the volume icon in the Windows notification area on the taskbar.

**Note:** If the volume icon is not displayed in the Windows notification area, add the icon to the notification area. See the Windows help system.

3. Click **Playback devices**.
4. If you are using the Headset profile, select **Bluetooth Hands-free Audio**, and then click **Set Default**. If you are using the AV profile, select **Stereo Audio**, and then click **Set Default**.
5. Click **OK**.

## Performance problems

### Excessive fragmented files exist on the storage drives.

Solution:

Use the Windows disk defragmentation or disk optimization feature to clean up the files.

**Note:** Depending on the volume of the storage drives and amount of data stored on the storage drives, the disk-defragmentation process might take up to several hours.

1. Close any open programs and windows.
2. Click the Start button to open the Start menu.
3. Click **Windows System → File Explorer → This PC**.
4. Right-click your C drive and then click **Properties**.

5. Click the **Tools** tab.
6. Click **Optimize**. Select the desired drive and then click **Optimize**.
7. Follow the instructions on the screen.

### **The free storage drive space is insufficient.**

Solutions:

Free up the storage drive space.

- Clean out your Inbox, Sent Items, and Deleted Items folders from your e-mail application.
- Clean up your C drive.
  1. Click the Start button to open the Start menu.
  2. Click **Windows System → File Explorer → This PC**.
  3. Right-click your C drive and then click **Properties**.
  4. Check the amount of free space, and then click **Disk Cleanup**.
  5. A list of unnecessary file categories is displayed. Select each file category you want to delete, and then click **OK**.
- Turn some Windows features off or remove some unnecessary programs.
  1. Click the Start button to open the Start menu.
  2. Click **Windows System → Control Panel**.
  3. View Control Panel by Large icons or Small icons, and then click **Programs and Features**.
  4. Do one of the following:
    - To turn some Windows features off, click **Turn Windows features on or off**. Follow the instructions on the screen.
    - To remove some unnecessary programs, select the program you want to remove, and then click **Uninstall/Change or Uninstall**.

### **The free memory space is insufficient.**

Solutions:

- Right-click a blank area on the taskbar and open Task Manager. Then, end some tasks you are not performing.
- Install additional memory modules. See Chapter 9 “Hardware removal and installation” on page 91. To purchase memory modules, go to:  
<https://www.lenovo.com>

## **Serial connector problem**

### **The serial connector cannot be accessed.**

Solutions:

- Connect the serial cable from the serial connector on the computer to the serial device. If the serial device has its own power cord, connect the power cord to a grounded electrical outlet.
- Turn on the serial device and keep the device online.
- Install any programs supplied with the serial device. Refer to the documentation that comes with the serial device for more information.
- If you added one serial-connector adapter, ensure that the adapter is installed correctly.

## USB device problems

### **A USB device cannot be accessed.**

Solutions:

- Connect the USB cable from the USB connector to the USB device. If the USB device has its own power cord, connect the power cord to a grounded electrical outlet.
- Turn on the USB device and keep the device online.
- Install any device drivers or programs supplied with the USB device. Refer to the documentation that comes with the USB device for more information.
- Disconnect and reconnect the USB connector to reset the USB device.
- Ensure that the Smart USB Protection function is disabled. To configure the Smart USB Protection function, see “Using the Smart USB Protection function” on page 60.

## Software and driver problems

### **For some programs, dates cannot be sorted in correct order.**

Solution:

Some programs developed before the year 2000 use only the last two digits of a year to sort dates, assuming the first two digits are 19. Consequently, dates cannot be sorted in correct order nowadays. Check with your software manufacturer to see if any updates are available. Many software manufacturers make updates available from the World Wide Web.

### **Some programs do not work as expected.**

Solutions:

1. Check whether the problem is caused by a program.
  - a. Ensure that the software is compatible with your computer. Refer to the information supplied with the software for more information.
  - b. Verify that other software works properly on your computer.
  - c. Verify that the software you are using works on another computer.
2. If the problem is caused by a program:
  - Refer to the printed documentation that comes with the program or the help system of the program for troubleshooting information.
  - Update the program. See “Keeping your computer current” on page 54.
  - Uninstall the program and then reinstall it. To download a program that is preinstalled on your computer, go to <https://support.lenovo.com> and follow the instructions on the screen.

### **A device does not work properly due to device driver problems.**

Solution:

Update the device driver. See “Keeping your computer current” on page 54.

---

## Diagnosing problems

Many computer problems can be solved without outside assistance. If you experience a problem with your computer, the first place to start is the troubleshooting information in your computer documentation. If you suspect a software problem, see the documentation, including readme files and help information systems,

that come with the operating system or program. ThinkStation computers come with a set of diagnostic programs that you can use to help you identify hardware problems.

### **Diagnosing problems with Lenovo Vantage**

Lenovo Vantage is preinstalled on your computer and is ready to run.

**Note:** If you are unable to isolate and repair the problem yourself after running Lenovo Vantage, save and print the log files created by the program. You need the log files when you speak to a Lenovo technical support representative.

Lenovo Vantage supports the hardware scan function. It combines diagnostic tests, system information collection, security status, and support information, along with hints and tips for optimal system performance.

The troubleshooting information or the diagnostic programs might tell you that you need additional or updated device drivers or other software. You can get the latest technical information and download device drivers and updates from the Lenovo Support Web site at:

<https://support.lenovo.com>

### **Diagnosing problems with ThinkStation Diagnostics**

ThinkStation Diagnostics is preinstalled on your computer and also is available for download at:

<https://www.lenovo.com/diags>

ThinkStation Diagnostics enables you to troubleshoot and resolve computer problems. The program notifies you of any issues detected by the real-time hardware diagnostic monitoring function. The program also provides the details of the issue, analyzes possible causes, and provides solutions.

---

## **UEFI diagnostic program**

A UEFI diagnostic program is preinstalled on the computer. It enables you to test memory modules and internal storage devices, view system information, and check and recover bad sectors on internal storage devices.

To run the UEFI diagnostic program, do the following:

1. Turn on the computer. If the computer cannot be turned on, go to “Troubleshooting” on page 71. If an error code is displayed, go to “Symptom-to-FRU index” on page 84 for error code descriptions and troubleshooting hints.
2. Repeatedly press and release the F10 key when turning on the computer. The main screen of the UEFI diagnostic program is displayed.
3. Follow the instructions on the screen to use the diagnostic program.

The options on the main screen are as follows:

Table 1. Items on the main screen of the UEFI diagnostic program

DIAGNOSTICS	TOOLS
<ul style="list-style-type: none"> <li>• LCD test</li> <li>• Memory - Quick test</li> <li>• Memory - Extended test</li> <li>• Motherboard test</li> <li>• PCI-e test</li> <li>• Storage - Quick test</li> </ul>	<ul style="list-style-type: none"> <li>• System information</li> <li>• Recover bad sectors tool</li> <li>• Generate configuration file</li> <li>• Execute from configuration file</li> <li>• Exit application</li> </ul>

## Recovery information

This section provides instructions on how to recover your operating system.

**Note:** If a device does not work correctly after recovering the operating system, update the device driver. See “Keeping your computer current” on page 54.

To recover your Windows 10 operating system, use the following solutions:

- Use Windows recovery solutions.
  - Use recovery solutions in Windows Settings.
    1. Click the Start button to open the Start menu.
    2. Click **Settings → Update & Security → Recovery**.
    3. Follow the instructions on the screen to choose the appropriate recovery solution.
  - Use System Restore to restore system files and settings to an earlier point.
    1. Click the Start button to open the Start menu.
    2. Click **Windows System → Control Panel**.
    3. View Control Panel by Large icons or Small icons, and then click **Recovery → Open System Restore**.
    4. Follow the instructions on the screen.
  - Use the File History tool to restore your files from a backup.

**Note:** If you use the File History tool to restore your files from a backup, ensure that you backed up your data earlier with the tool.

1. Click the Start button to open the Start menu.
  2. Click **Windows System → Control Panel**.
  3. View Control Panel by Large icons or Small icons, and then click **File History → Restore personal files**.
  4. Follow the instructions on the screen.
- Use the Windows recovery environment by doing one of the following:
    - After several consecutive failed boot attempts, the Windows recovery environment might start automatically. Follow the instructions on the screen to choose the appropriate recovery solution.
    - Select the recovery medium you created earlier with the Windows tool as the startup device. See “Selecting a temporary startup device” on page 66. Then, follow the instructions on the screen to choose the appropriate recovery solution.
  - Use the recovery USB key provided by Lenovo to restore the entire storage drive to the factory-default settings.



- If your computer comes with the recovery USB key, follow the instructions shipped with the USB key.
- If your computer does not come with the recovery USB key, contact the Lenovo Customer Support Center to order a recovery USB key. See “Calling for service” on page 160.



---

## Chapter 8. Service checkout and symptom-to-FRU index

This chapter provides information about general service checkout and symptom-to-FRU index.

---

### Service checkout

**Attention:** The drives in the computer you are servicing might have been rearranged or the drive startup sequence changed. Be extremely careful during write operations such as copying, saving, or formatting. Data or programs can be overwritten if you select an incorrect drive.

General error messages appear if a problem or conflict is found by a program, the operating system, or both. For an explanation of these messages, refer to the information supplied with that software package.

Before replacing any FRUs, ensure that the latest level of BIOS is installed on the system. A down-level BIOS might cause false errors and unnecessary replacement of the system board. For more information about how to determine and obtain the latest level BIOS, see “BIOS level” on page 66.

Use the following procedure to help determine the cause of the problem:

1. Turn off the computer and all external devices.
2. Check all cables and power cords.
3. Set all display controls to the middle position.
4. Turn on all external devices.
5. Turn on the computer.
  - Look for displayed error codes.
  - Listen for beep codes.
  - Look for readable instructions or a main menu on the display.

If you *did not* receive the correct response, proceed to step 6 on page 83.

If you *do* receive the correct response, proceed to step 7 on page 83.

6. Look at the following conditions and follow the instructions:
  - If you hear beep codes during POST, go to “Beep symptoms” on page 85.
  - If the computer displays a POST error, go to “POST error codes” on page 86.
  - If the computer hangs and no error is displayed, continue at step 7 on page 83.
7. Run the Diagnostic programs. See “Diagnosing problems” on page 78.
  - If you receive an error, replace the part that the diagnostic program calls out.
  - If the test stops and you cannot continue, replace the last device tested.

### Problem determination tips

Due to the variety of hardware and software combinations that can be encountered, use the following information to assist you in problem determination. If possible, have this information available when requesting assistance from Service Support and Engineering functions.

- Machine type and model
- Processor or hard disk drive upgrades
- Failure symptom
  - Do diagnostics indicate a failure?

- What, when, where, single, or multiple systems?
- Is the failure repeatable?
- Has this configuration ever worked?
- If it has been working, what changes were made prior to its failing?
- Is this the original reported failure?
- Diagnostics version
  - Type and version level
- Hardware configuration
  - Print (print screen) configuration currently in use
  - BIOS level
- Operating system software
  - Type and version level

**Notes:** To eliminate confusion, identical systems are considered identical only if they:

1. Are the exact machine type and models
2. Have the same BIOS level
3. Have the same adapters/attachments in the same locations
4. Have the same address jumpers/terminators/cabling
5. Have the same software versions and levels
6. Have the same Diagnostic Diskettes (version)
7. Have the same configuration options set in the system
8. Have the same setup for the operating system control files

Comparing the configuration and software set-up between “working and non-working” systems will often lead to problem resolution.

## Symptom-to-FRU index

The Symptom-to-FRU index lists error symptoms and possible causes. The most likely cause is listed first. Always begin with “Service checkout” on page 83. This index can also be used to help you decide which FRUs to have available when servicing a computer. If you are unable to correct the problem using this index, go to “Undetermined problems” on page 89.

**Notes:**

- The Symptom-to-FRU index is not specific to any machine type and are applicable to all ThinkStation computers.
- If you have both an error message and an incorrect audio response, diagnose the error message first.
- If you cannot run the diagnostic tests or you get a diagnostic error code when running a test, but did receive a POST error message, diagnose the POST error message first.
- If you did not receive any error message, look for a description of your error symptoms in the first part of this index.

## Hard disk drive boot error

A hard disk drive boot error can have the following causes.

Error	FRU/Action
The start-up drive is not in the boot sequence in configuration.	Check the configuration and ensure that the start-up drive is in the boot sequence.
No operating system installed on the boot drive.	Install an operating system on the boot drive.
The boot sector on the startup drive is corrupted.	The drive must be formatted. Do the following: <ol style="list-style-type: none"> <li>1. Attempt to back up the data on the failing hard disk drive.</li> <li>2. Using the operating system programs, format the hard disk drive.</li> </ol>
The drive is defective.	Replace the hard disk drive.

## Power supply problems

If you suspect a power problem, use the following procedures.

Check/Verify	FRU/Action
Check the following for proper installation. <ul style="list-style-type: none"> <li>• Power cord</li> <li>• On/Off switch connector</li> <li>• On/Off switch power supply connector</li> <li>• System board power supply connectors</li> <li>• Microprocessor connection</li> </ul>	Reseat connectors
Check the power cord for continuity.	Power cord
Check the power-on switch for continuity.	Power-on switch

## Beep symptoms

Beep symptoms are tones or a series of tones separated by pauses (intervals without sound) during POST.

The following table describes the beep symptoms.

Beep symptom	FRU/Action
<b>2 short beeps:</b> common POST error	Common POST error code. See the detailed failure information in "POST error codes" on page 86.
<b>3 short and 1 long beeps:</b> DRAM memory error	Perform the following actions in order: <ol style="list-style-type: none"> <li>1. Make sure that the memory modules are properly seated in the memory slots.</li> <li>2. Replace the memory modules.</li> <li>3. Replace the system board (for trained service personnel only).</li> </ol>

Beep symptom	FRU/Action
<b>4 long beeps:</b> insufficient shadow RAM resources for option ROM (error code: 8998) or PCIe/PCI MMIO (memory mapped input/output) resources (error code: 8999)	See the detailed failure information in “POST error codes” on page 86.
<b>2 long and 3 short beeps:</b> graphics card error	Perform the following actions in order: <ol style="list-style-type: none"> <li>1. Make sure that the graphics cards are properly seated in the slots.</li> <li>2. Replace the graphics cards.</li> <li>3. Replace the system board (for trained service personnel only).</li> </ol>

## POST error codes

Each time you turn on the system, it performs a series of tests that check the operation of the system and some options. This series of tests are called the *Power-On Self-Test*, or *POST*. POST checks the following operations:

- Some basic system-board operations
- Memory operation
- Video operation
- Whether the boot drive is working

If the POST detects a problem, an error message appears on the screen. A single problem might cause several error messages to appear. When you correct the cause of the first error message, the other error messages probably will not appear on the screen the next time.

Error code	POST error message	Description/Action
0135	CPU fan failure System fan failure Power fan failure Front fan failure Rear fan failure Auxiliary fan failure ODD fan failure	This error message is displayed when a fan fails and the system might be overheating.  Press F10 to exit.
0211	Keyboard not found	This error message is displayed when no keyboard is detected.
0164	Memory size decreased	This error message is displayed when the memory size is decreased.  Press F10 to exit.
1762	SATA device configuration change has occurred	This error message is displayed when a hard disk drive change or an optical drive change has been made.  Press F10 to exit.

Error code	POST error message	Description/Action
1820	More than one external fingerprint reader is attached. Turn off and remove all but the reader that you set up within your main operating system.	This error message is displayed when more than one external fingerprint reader is connected to the computer.  Turn off and remove all but the reader that you set up within your main operating system.
1962	No operating system found. Boot sequence will automatically repeat.	This error occurs only after the POST is completed.  Press any key to repeat boot sequence.
8998	Not enough shadow RAM resources for OPTION ROM, not all devices initialized. Suggest to remove some add-on cards, or change to UEFI mode in BIOS setup.	This error message is displayed when the shadow RAM resources for option ROM are insufficient.  If the legacy option ROM is insufficient, remove some add-in cards.  For the system that supports UEFI, set UEFI as the first priority or disable CSM in BIOS setup.
8999	Not enough PCIe/PCI MMIO resources. Currently only one video card is enabled. Remove some PCIe cards, or enter BIOS Setup and enable "Above 4GB Decode"	This error message is displayed when the PCIe/PCI MMIO (memory mapped input/output) resources are insufficient.  For the 32-bit operating system, remove some add-in cards.  For the 64-bit operating system, enable <b>Above 4 GB Decode</b> in BIOS setup.

## Miscellaneous error conditions

Message/Symptom	FRU/Action
Changing display colors	<b>Display/Monitor</b>
Computer will <i>not</i> power-off. See "Hard disk drive boot error" on page 84.	<ol style="list-style-type: none"> <li>1. Power Switch</li> <li>2. System Board</li> <li>3. Riser card, if installed.</li> </ol>
Computer will <i>not</i> RPL from server	<ol style="list-style-type: none"> <li>1. Ensure that the network is in startup sequence as the first device or the first device after diskette.</li> <li>2. Ensure that the network adapter is enabled for RPL.</li> <li>3. Network adapter (Advise network administrator of new MAC address)</li> </ol>

Message/Symptom	FRU/Action
Computer will <i>not</i> perform a Wake On LAN® (if applicable)	<ol style="list-style-type: none"> <li>1. Check the power supply and signal cable connections to the network adapter.</li> <li>2. Ensure that the operating system settings are set to enable Wake on LAN.</li> <li>3. Ensure that the Wake On LAN feature is enabled in Setup/Configuration (see "Starting the Setup Utility program" on page 61)</li> <li>4. Ensure that the network administrator is using the correct MAC address.</li> <li>5. Ensure no interrupt or I/O address conflicts.</li> <li>6. Network adapter (advise network administrator of new MAC address)</li> </ol>
Dead computer. See "Hard disk drive boot error" on page 84.	<ol style="list-style-type: none"> <li>1. Power Supply</li> <li>2. System Board</li> </ol>
Diskette drive in-use light remains on or does not light when drive is active.	<ol style="list-style-type: none"> <li>1. Diskette Drive</li> <li>2. System Board</li> <li>3. Diskette Drive Cable</li> </ol>
Blank screen except for flashing cursor.	<ol style="list-style-type: none"> <li>1. System Board</li> <li>2. Primary Hard Disk Drive</li> <li>3. Hard Disk Drive Cable</li> </ol>
Incorrect memory size during POST	<ol style="list-style-type: none"> <li>1. Run the Memory tests.</li> <li>2. Memory Module</li> <li>3. System Board</li> </ol>
"Insert a Diskette" icon appears with a known-good diagnostics diskette in the first 3.5-inch diskette drive.	<ol style="list-style-type: none"> <li>1. System Board</li> <li>2. Diskette Drive Cable</li> <li>3. Network Adapter</li> </ol>
Intensity or color varies from left to right of characters and color bars	<ol style="list-style-type: none"> <li>1. Display</li> <li>2. Video adapter (if present)</li> <li>3. System Board</li> </ol>
No power or fan not running	<ol style="list-style-type: none"> <li>1. See "Hard disk drive boot error" on page 84.</li> </ol>
Non-system disk or disk error-type message with a known-good diagnostic diskette.	<ol style="list-style-type: none"> <li>1. Diskette Drive</li> <li>2. System Board</li> <li>3. Diskette Drive Cable</li> </ol>
Other display symptoms not listed above (including blank or illegible display)	<ol style="list-style-type: none"> <li>1. Display</li> <li>2. System Board</li> </ol>
Power-on indicator or hard disk drive in-use light not on, but computer works correctly	<ol style="list-style-type: none"> <li>1. Power switch/LED assembly</li> <li>2. System Board</li> </ol>
Printer problems	<ol style="list-style-type: none"> <li>1. Printer</li> <li>2. System Board</li> </ol>



Message/Symptom	FRU/Action
Program loads from the hard disk with a known-good diagnostics diskette in the first 3.5-inch diskette drive	<ol style="list-style-type: none"> <li>1. Run the Setup Utility program and check the Startup sequence.</li> <li>2. Diskette Drive</li> <li>3. Diskette Drive Cable</li> <li>4. System Board</li> <li>5. Power Supply</li> </ol>
RPL computer cannot access programs from its own hard disk.	<ol style="list-style-type: none"> <li>1. If the network administrator is using LCCM Hybrid RPL, check the startup sequence: <ol style="list-style-type: none"> <li>a. <b>First device - network</b></li> <li>b. <b>Second device - hard disk</b></li> </ol> </li> <li>2. Hard disk drive</li> </ol>
RPL computer does not RPL from server	<ol style="list-style-type: none"> <li>1. Check the startup sequence.</li> <li>2. Check the network adapter LED status.</li> </ol>
Serial or parallel connector device failure (system board connector)	<ol style="list-style-type: none"> <li>1. External Device Self-Test OK?</li> <li>2. External Device</li> <li>3. Cable</li> <li>4. System Board</li> </ol>
Serial or parallel connector device failure (adapter connector)	<ol style="list-style-type: none"> <li>1. External Device Self-Test OK?</li> <li>2. External Device</li> <li>3. Cable</li> <li>4. Alternate Adapter</li> <li>5. System Board</li> </ol>
Some or all keys on the keyboard do not work	<ol style="list-style-type: none"> <li>1. Keyboard</li> <li>2. Keyboard Cable</li> <li>3. System Board</li> </ol>

## Undetermined problems

This section provides instructions on how to find out the failing devices or adapters.

1. Turn off the computer.
2. Remove or disconnect the following components (if installed) one at a time.
  - a. External devices (modem, printer, or mouse)
  - b. Any adapters
  - c. Memory modules
  - d. Extended video memory
  - e. External Cache
  - f. External Cache RAM
  - g. Hard disk drive
  - h. Diskette drive
3. Turn on the computer to retest the system.

4. Repeat steps 1 through 3 until you find the failing device or adapter.

If all devices and adapters have been removed, and the problem continues, replace the system board. See “Parts on the system board” on page 37.

---

## Chapter 9. Hardware removal and installation

This chapter provides instructions on how to remove and install hardware for your computer.

---

### Customer Replaceable Units

Customer Replaceable Units (CRUs) are parts that can be upgraded or replaced by the customer. ThinkStation computers contain the following types of CRUs:

- **Self-service CRUs:** Refer to parts that can be installed or replaced easily by customer themselves or by trained service technicians at an additional cost.
- **Optional-service CRUs:** Refer to parts that can be installed or replaced by customers with a greater skill level. Trained service technicians can also provide service to install or replace the parts under the type of warranty designated for the customer's machine.

If you intend on installing the CRU, Lenovo will ship the CRU to you. CRU information and replacement instructions are shipped with your product and are available from Lenovo at any time upon request. You might be required to return the defective part that is replaced by the CRU. When return is required: (1) return instructions, a prepaid shipping label, and a container will be included with the replacement CRU; and (2) you might be charged for the replacement CRU if Lenovo does not receive the defective CRU within thirty (30) days of your receipt of the replacement CRU. See your Lenovo Limited Warranty documentation at [https://www.lenovo.com/warranty/llw\\_02](https://www.lenovo.com/warranty/llw_02) for full details.

For the CRU information of your computer, refer to the following list.

#### Self-service CRUs

- Computer cover
- Coin-cell battery
- Cover presence switch
- Front bezel
- Heat sink for the M.2 solid-state drive (available on some models)
- Keyboard (available on some models)
- Memory module (vary by computer model)
- Mouse (available on some models)
- M.2 solid-state drive (available on some models)
- PCIe card (vary by computer model)
- Plastic holder (available on some models)
- Power cord
- Slim optical drive (available on some models)
- Storage drives (vary by computer model)
- Storage drive cage (available on some models)

#### Optional-service CRUs

- E-lock
- Power supply assembly

---

## Handling static-sensitive devices

Do not open the static-protective package containing the new part until the defective part has been removed and you are ready to install the new part. Static electricity, although harmless to you, can seriously damage computer components and options.

When you handle options and other computer components, take these precautions to avoid static-electricity damage:

- Limit your movement. Movement can cause static electricity to build up around you.
- Always handle options and other computer components carefully. Handle PCI/PCIe cards, memory modules, system boards, and microprocessors by the edges. Never touch any exposed circuitry.
- Prevent others from touching the options and other computer components.
- Touch the static-protective package containing the part to a metal expansion-slot cover or other unpainted metal surface on the computer for at least two seconds. This reduces static electricity from the package and your body before you install or replace a new part.
- When possible, remove the new part from the static-protective package, and install it directly in the computer without setting the part down. When this is not possible, place the static-protective package on a smooth, level surface and place the part on the package.
- Do not place the part on the computer cover or other metal surface.

---

## Preparing your computer

**Attention:** Do not open your computer or attempt any repair before reading and understanding the Chapter 1 “Read this first: Important safety information” on page 1.

**CAUTION:**

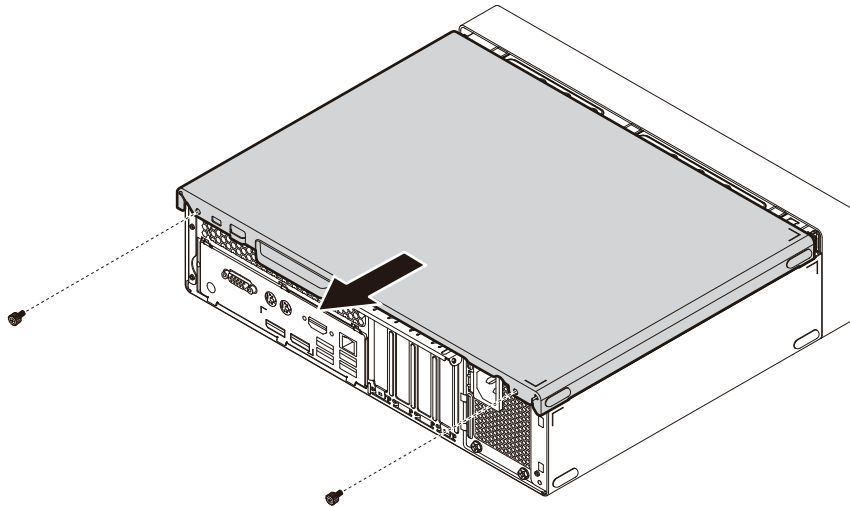


**Avoid contact with hot components inside the computer. During operation, some components become hot enough to burn the skin. Before you open the computer cover, turn off the computer, disconnect power, and wait approximately 10 minutes for the components to cool.**

Before installing or removing any hardware component in your computer, do the following to prepare your computer:

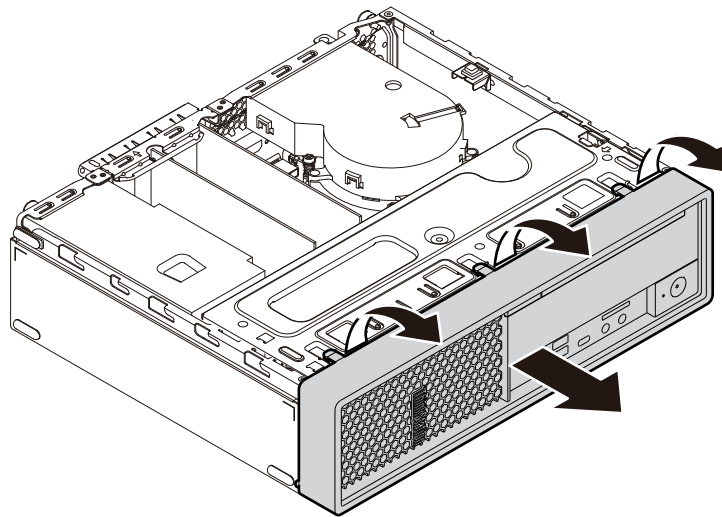
1. Remove any media from the drives and turn off all attached devices and the computer. Then, disconnect all power cords from electrical outlets and disconnect all cables that are connected to the computer.
2. Unlock any locking device that secures the computer cover. See “Locking your computer” on page 55.
3. Lay the computer on its side for easier access to the system board.

4. Remove the two screws that secure the computer cover. Then slide the cover to the rear of the computer to remove the cover.



*Figure 12. Removing the computer cover*

5. Release the three plastic tabs of the front bezel and pivot the front bezel outward to remove it from the computer.



*Figure 13. Removing the front bezel*

6. Press the release tab **a** as shown and pivot the drive bay assembly upward to open the drive bay assembly.

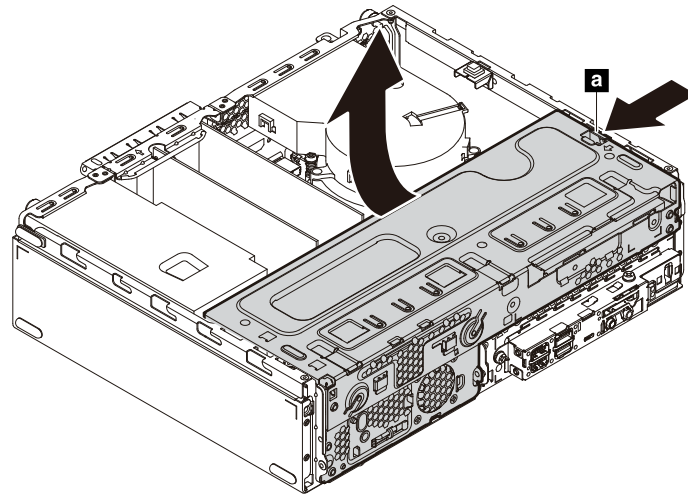


Figure 14. Opening the drive bay assembly

#### Notes:

- Depending on your computer model, some of the hardware parts in the removal and installation section might not be available.
- Use computer parts provided only by Lenovo.
- When removing or installing an option, use the appropriate instructions in this section along with the instructions that come with the option.
- In most areas of the world, Lenovo requires the return of the defective CRU. Information about this will come with the CRU or will come a few days after the CRU arrives.

---

## Removing and installing hardware

This section provides instructions on how to remove and install hardware for your computer. You can expand the capabilities of your computer and maintain your computer by removing or installing hardware.

**Attention:** Do not open your computer or attempt any repair before reading and understanding the Chapter 1 “Read this first: Important safety information” on page 1.

### External options

You can connect external options to your computer, such as external speakers, a printer, or a scanner. For some external options, you must install additional software in addition to making the physical connection. When installing an external option, see “Hardware locations” on page 29 to identify the required connector. Then, use the instructions that come with the option to help you make the connection and install any required software or device drivers.

### PCIe card

**Attention:** Do not open your computer or attempt any repair before reading and understanding the Chapter 1 “Read this first: Important safety information” on page 1.

Your computer has one PCIe x1 card slot, one PCIe x16 card slot (negotiable link width x4), and one PCIe x16 graphics card slot (graphics card available on some models).

To remove or install a PCIe card, do the following:

1. Prepare your computer. See “Preparing your computer” on page 92.
2. Locate the PCIe card slot. See “Parts on the system board” on page 37.
3. If the PCIe card is installed in a PCIe x16 card slot, pivot the retaining latch **a** as shown to the open position.

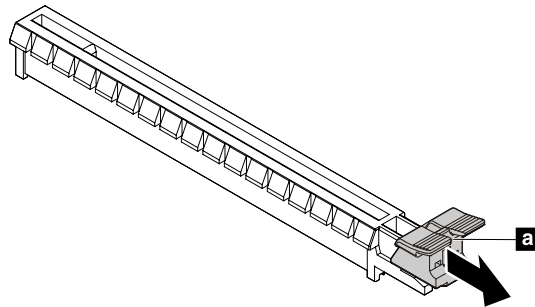


Figure 15. Disengaging the card retaining latch

4. Rotate the PCIe card retainer to the open position. Then grasp the card and gently pull it out of the slot.

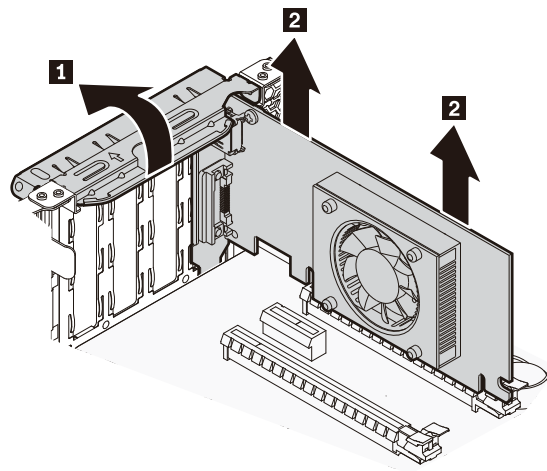


Figure 16. Removing a PCIe card

**Notes:**

- If the card is connected to other device, disconnect the cables from the card.
  - The card fits tightly into the slot. If necessary, alternately move each side of the card a small amount until the card is removed from the slot.
5. To install a PCIe card, do the following:
    - a. Remove the new PCIe card from its static-protective package.
    - b. If necessary, remove the appropriate metal slot cover on the rear of the chassis and pivot the card retaining clip to the open position.

- c. Install the new card into the card slot on the system board until it is securely seated. See “Parts on the system board” on page 37. Then rotate the PCIe card retainer to the closed position.

**Note:** If you are installing a PCIe x16 graphics card, ensure that the card retaining clip is in the closed position before you rotate the PCIe card retainer to the closed position.

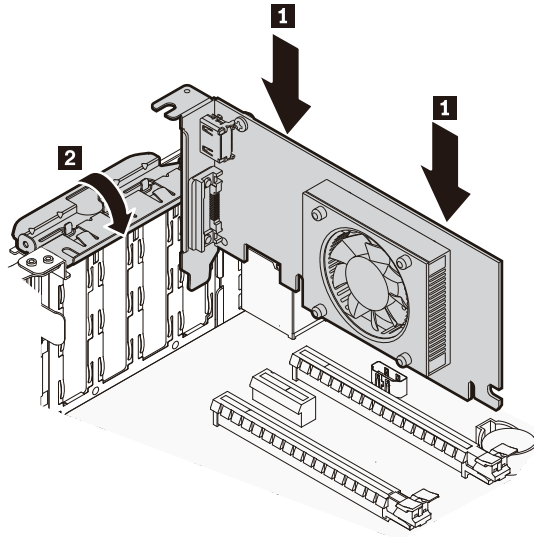


Figure 17. Installing a PCIe card

#### What to do next:

- To work with another piece of hardware, go to the appropriate section.
- To complete the installation or replacement, go to “Completing the parts replacement” on page 155.

## M.2 solid-state drive

**Attention:** Do not open your computer or attempt any repair before reading and understanding the Chapter 1 “Read this first: Important safety information” on page 1.

The instructions on how to install or replace a M.2 solid-state drive also apply to the Intel Optane memory. Before replacing the Intel Optane memory, ensure that you disable the Intel Optane memory from the Intel Rapid Storage Technology (Intel RST) Console. Otherwise, all data on the storage drive will be lost. For more information, see instructions on <https://www.intel.com/content/www/us/en/support/articles/000023989/memory-and-storage/intel-optane-memory.html>.

An M.2 solid-state drive can be installed on the system board or an M.2 solid-state drive PCIe adapter.

### M.2 solid-state drive on the system board

To remove or install an M.2 solid-state drive on the system board, do the following:

1. Prepare your computer. See “Preparing your computer” on page 92.
2. Locate the M.2 solid-state drive slot. See “Parts on the system board” on page 37.
3. Untie the cables that prevent your access to the M.2 solid-state drive slot from the cable clip.
4. To remove an M.2 solid-state drive, do the following:



- a. Turn the two mounting studs 90-degree counterclockwise to release the heat sink. Then, lift the heat sink off the plastic holder.

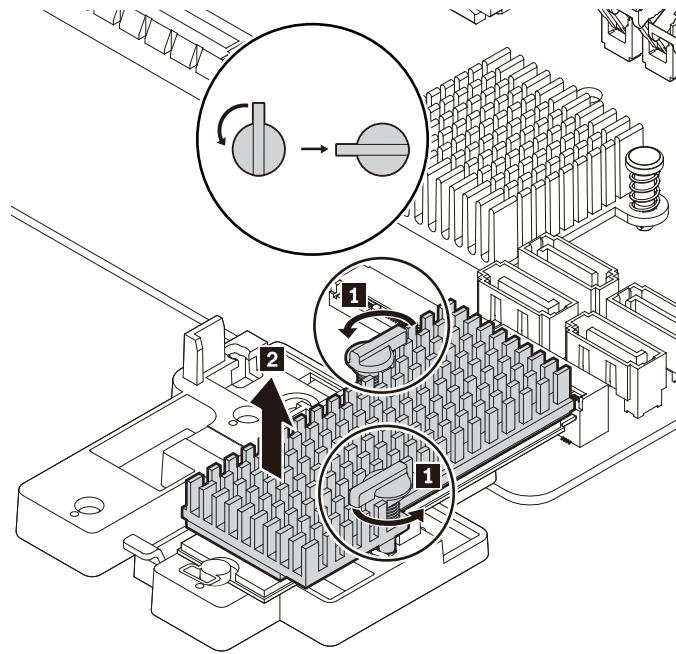


Figure 18. Removing the heat sink from the plastic holder

- b. Pull the handle of the retaining latch outward to the open position. The M.2 solid-state drive is released from the secured position and pivots upward. Remove the M.2 solid-state drive out of the slot.

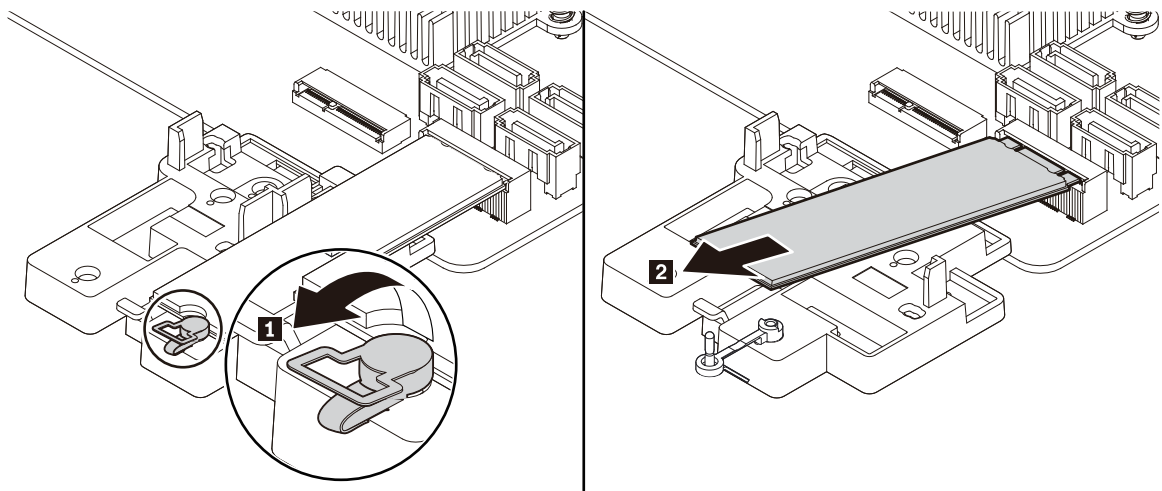


Figure 19. Opening the retaining latch and removing the M.2 solid-state drive

5. To install a new M.2 solid-state drive, do the following:

- a. If necessary, align the four tabs on the rear of the plastic holder with the corresponding holes in the chassis. Then slide the plastic holder toward the system board until it snaps into position.

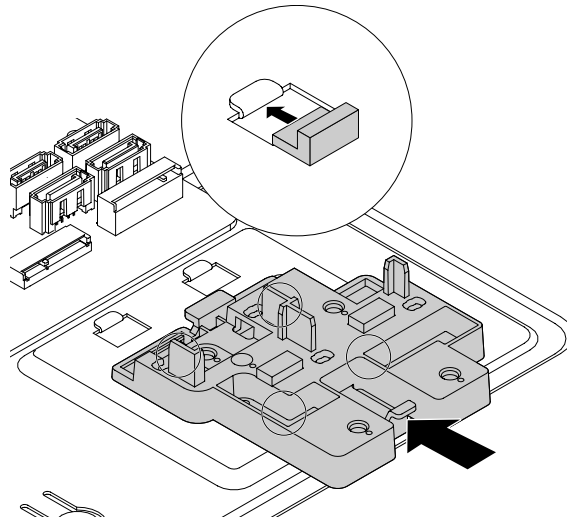


Figure 20. Installing the plastic holder

- b. Locate the hole in the plastic holder to install the retaining latch. Align the pin **a** with the corresponding hole **b** in the plastic holder. Then press the retaining latch downward into the hole until it snaps into position.

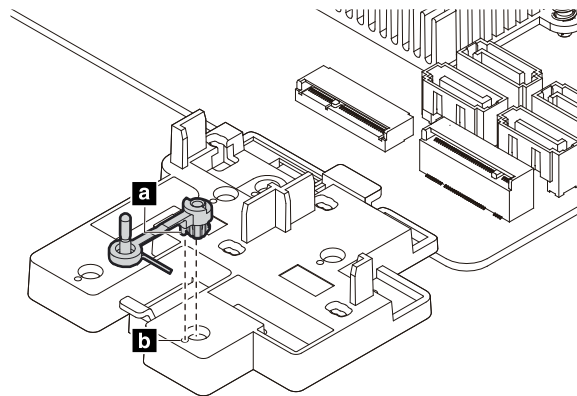


Figure 21. Installing the retaining latch

- c. Hold the new M.2 solid-state drive by its edges and ensure that the circuit board side is facing upward. Align the contact edge of the new drive with the key in the corresponding slot. Then carefully insert the new drive into the slot at an angle of about 20 degrees and pivot the new drive downward. Insert the plug of the retaining latch into the hole to secure the new drive.

**Note:** Do not touch the circuit board or the contact edge of the M.2 solid-state drive.

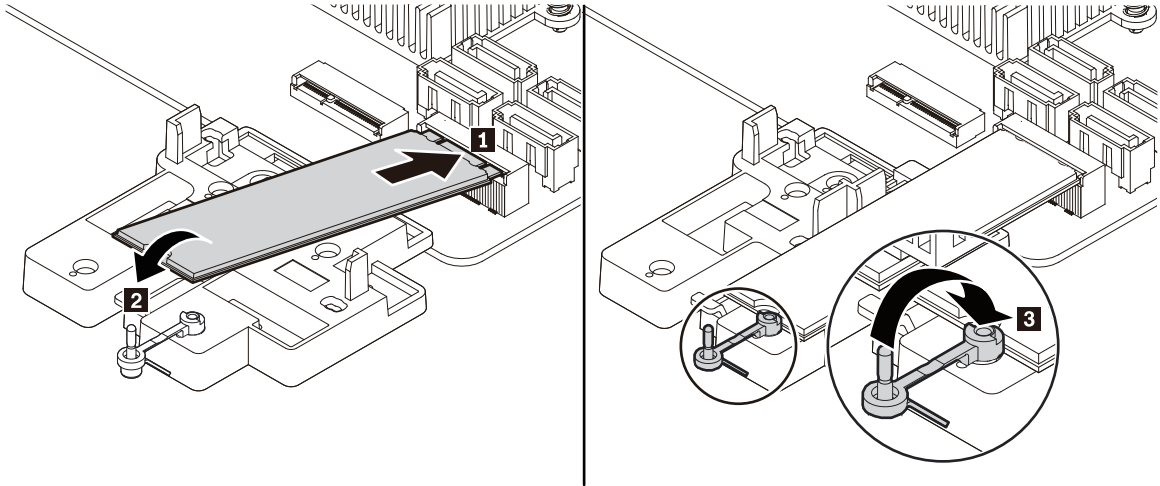


Figure 22. Installing the M.2 solid-state drive

6. If necessary, remove the film that covers the thermal pad at the bottom of the heat sink. Place the heat sink on the M.2 solid-state drive. Ensure that the two mounting studs on the heat sink are in the open position and press the studs on the heat sink into the corresponding holes in the plastic holder as shown. Then, turn the mounting studs 90-degree clockwise to secure the heat sink to the plastic holder.

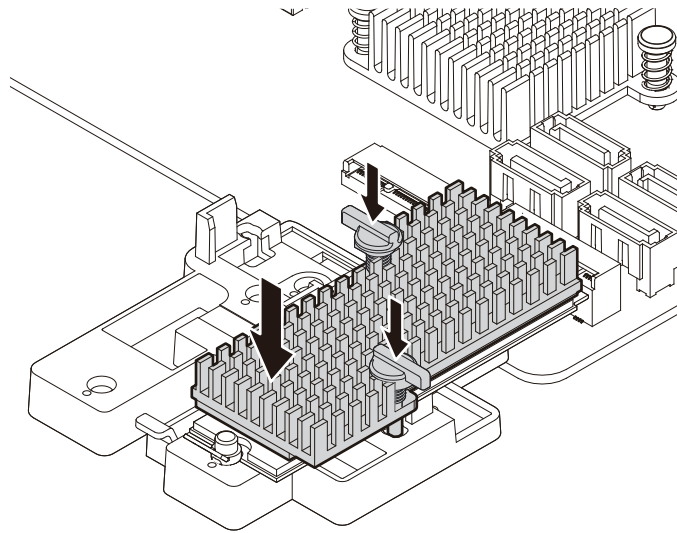


Figure 23. Installing the heat sink onto the plastic holder

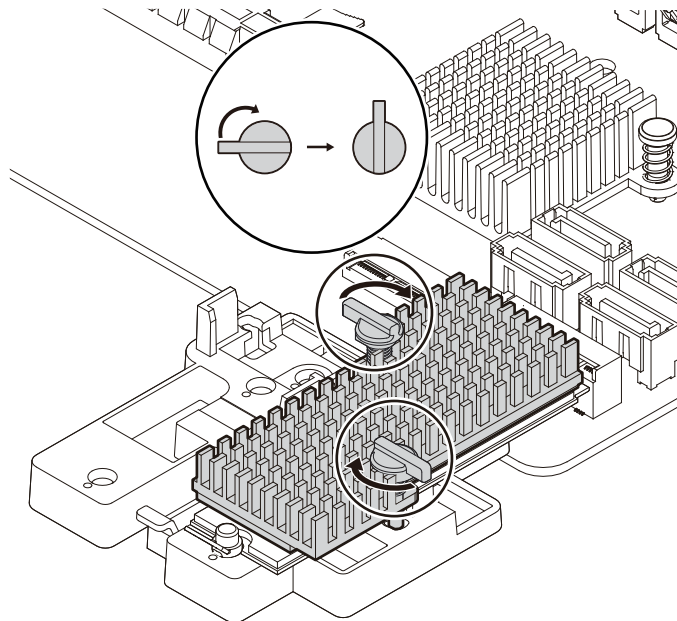


Figure 24. Securing the heat sink to the plastic holder

7. Retie the cables that you have untied with the cable clip.

**What to do next:**

- To work with another piece of hardware, go to the appropriate section.
- To complete the installation or replacement, go to “Completing the parts replacement” on page 155.

## M.2 solid-state drive in an M.2 solid-state drive PCIe adapter

To remove or install the M.2 solid-state drive in the M.2 solid-state drive PCIe adapter, do the following:

1. Prepare your computer. See “Preparing your computer” on page 92.
2. To remove the M.2 solid-state drive in the M.2 solid-state drive PCIe adapter, do the following:
  - a. Locate and remove the M.2 solid-state drive adapter from the PCIe card slot. See “PCIe card” on page 94.
  - b. The heat sink is secured by two mounting studs. Pinch the clips of the studs inward **1** and push the studs upward **2** to release the heat sink. Then, lift the heat sink off the M.2 solid-state drive adapter **3**.

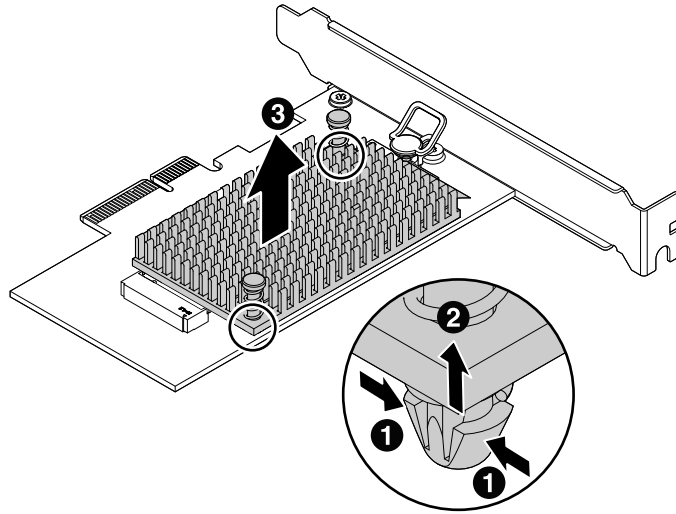


Figure 25. Removing the heat sink from the M.2 solid-state drive adapter

- c. The M.2 solid-state drive is secured by a retaining latch. Pull the handle of the retaining latch outward to release the M.2 solid-state drive. Then, gently pull the M.2 solid-state drive out of the M.2 slot.

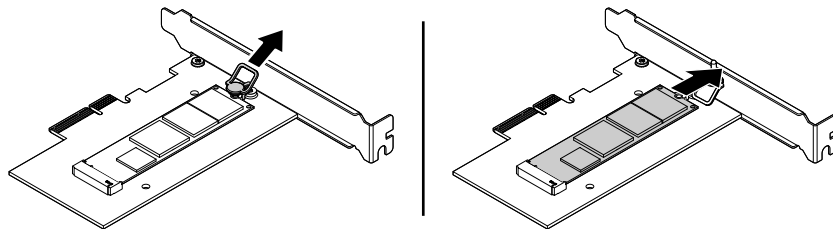
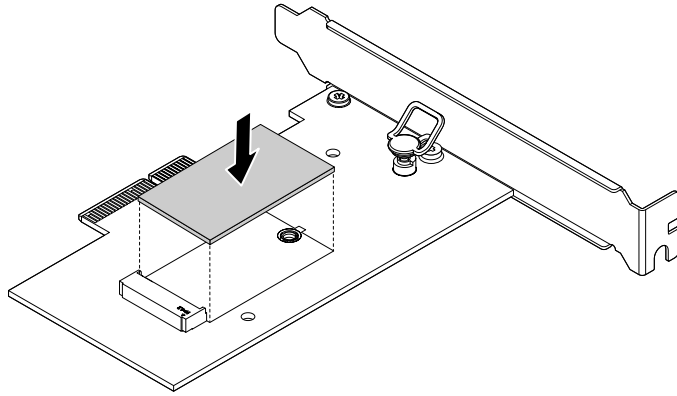


Figure 26. Removing the M.2 solid-state drive

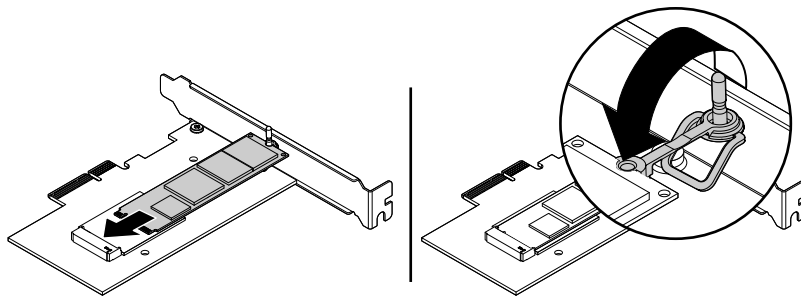
3. To install the M.2 solid-state drive, do the following:

- a. Ensure that a thermal pad is placed in position on the M.2 solid-state drive adapter.



*Figure 27. Installing the thermal pad*

- b. Pull outward the handle of the retaining latch in the M.2 solid-state drive adapter.
- c. Insert the new M.2 solid-state drive into the M.2 slot. Then, insert the plug of the retaining latch into the hole to secure the new drive.



*Figure 28. Installing the M.2 solid-state drive*

- d. Position the heat sink on the M.2 solid-state drive adapter. Ensure that the two mounting studs in the heat sink are aligned with the holes in the M.2 solid-state drive adapter. Then, push the mounting studs downward to secure the heat sink to the adapter.

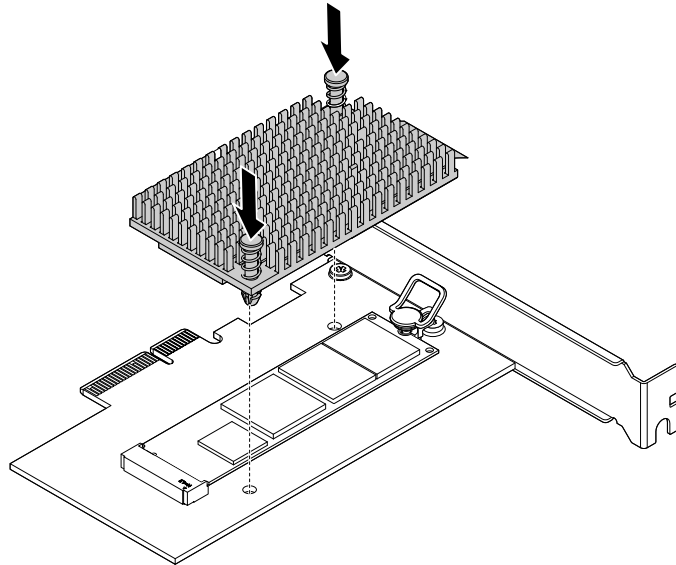


Figure 29. Installing the heat sink

- e. Install the M.2 solid-state drive adapter into the appropriate PCIe card slot on the system board. See “PCIe card” on page 94.

**Note:** It is recommended that you install the M.2 solid-state drive adapter into the PCIe x16 card slot. See “Parts on the system board” on page 37.

#### What to do next:

- To work with another piece of hardware, go to the appropriate section.
- To complete the installation or replacement, go to “Completing the parts replacement” on page 155.

## Memory module

**Attention:** Do not open your computer or attempt any repair before reading and understanding the Chapter 1 “Read this first: Important safety information” on page 1.

Your computer has four memory slots for installing or replacing DDR4 UDIMMs. When installing or replacing a memory module, use the following guidelines:

- Use any of DDR4 ECC UDIMMs or DDR4 non-ECC UDIMMs for your computer. Do not install the ECC or non-ECC UDIMMs into the same computer.
- The ECC memory modules are not supported on the computer models with Intel Core i5 or i7 microprocessors.
- Use 4 GB, 8 GB, 16 GB, or 32 GB non-ECC UDIMMs in any combination up to a maximum of 128 GB system memory.
- Use 8 GB or 16 GB ECC UDIMMs in any combination up to a maximum of 64 GB system memory.

- Install memory modules in the alphabetic order as shown.

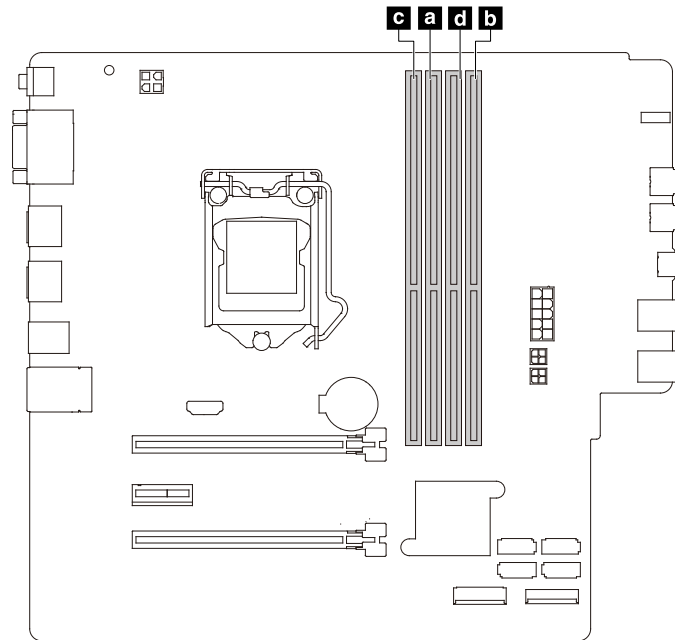


Figure 30. Memory module installation sequence

To remove or install a memory module, do the following:

1. Prepare your computer. See “Preparing your computer” on page 92.
2. Locate the memory slots. See “Parts on the system board” on page 37.
3. Remove any parts that might prevent your access to the memory slots. Depending on your computer model, you might need to remove the PCIe x16 graphics card for easier access to the memory slots. See “PCIe card” on page 94.
4. To remove a memory module, open the retaining clips and gently pull the memory module out of the memory slot.

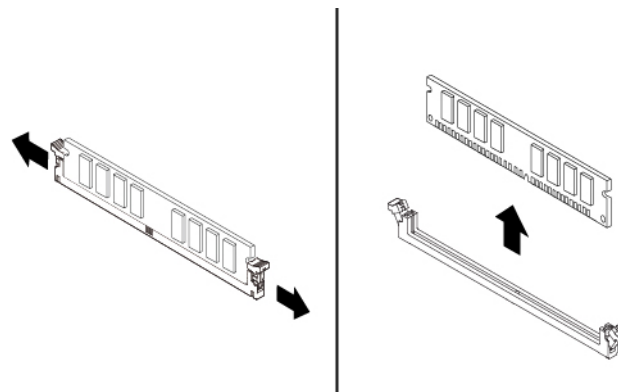


Figure 31. Removing a memory module

5. To install a memory module, do the following:



- a. Open the retaining clips of the memory slot.

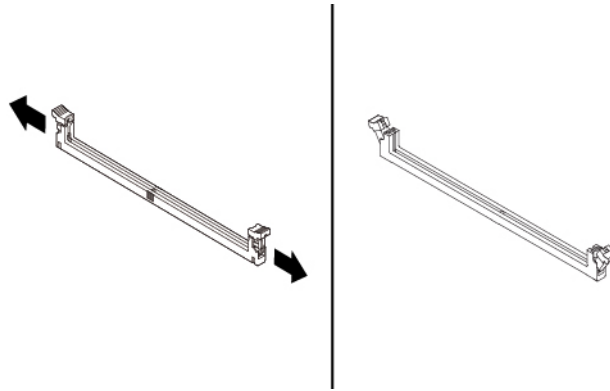


Figure 32. Opening the retaining clips

- b. Position the new memory module over the memory slot. Ensure that the notch **1** on the memory module is aligned with the key **2** in the slot. Push the memory module straight down into the slot until the retaining clips completely close.

**Note:** Do not touch the circuit board or the contact edge of the memory module.

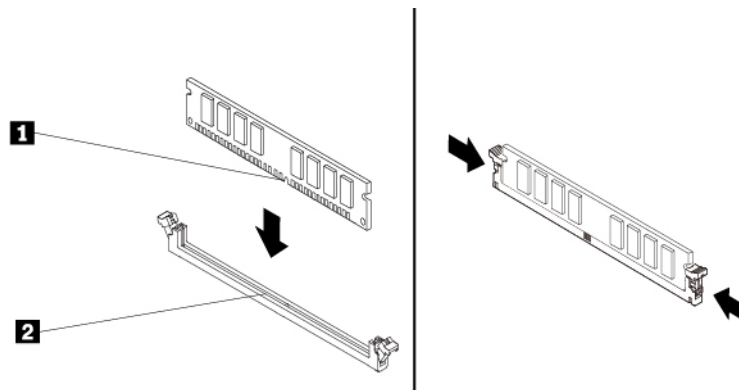


Figure 33. Installing a memory module

6. Reinstall the PCIe x16 graphics card if you have removed it.

**What to do next:**

- To work with another piece of hardware, go to the appropriate section.
- To complete the installation or replacement, go to “Completing the parts replacement” on page 155.

## Slim optical drive

**Attention:** Do not open your computer or attempt any repair before reading and understanding the Chapter 1 “Read this first: Important safety information” on page 1.

To remove or install a slim optical drive, do the following:

1. Remove the computer cover and the front bezel for access to the slim optical drive. See “Preparing your computer” on page 92.
2. To remove a slim optical drive, do the following:

- a. Disconnect cables from the rear of the slim optical drive, press the release button **a**, and then slide the slim optical drive from the front of the chassis.

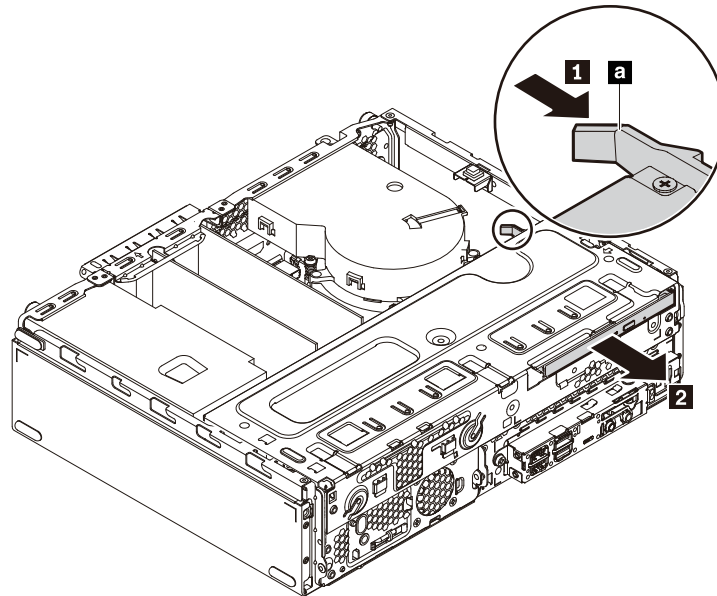


Figure 34. Removing the slim optical drive

- b. Detach the bracket as shown to remove it from the slim optical drive.

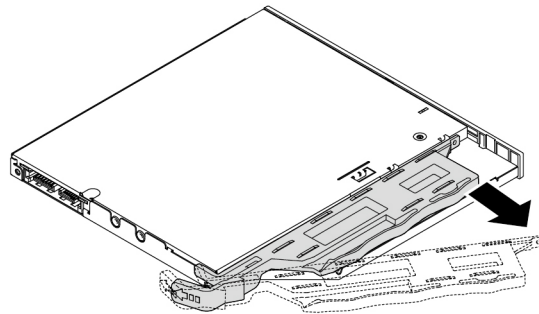


Figure 35. Removing the bracket from the slim optical drive

3. To install a new slim optical drive, do the following:

- a. If a plastic shield is installed in the front bezel, remove the plastic shield as shown.

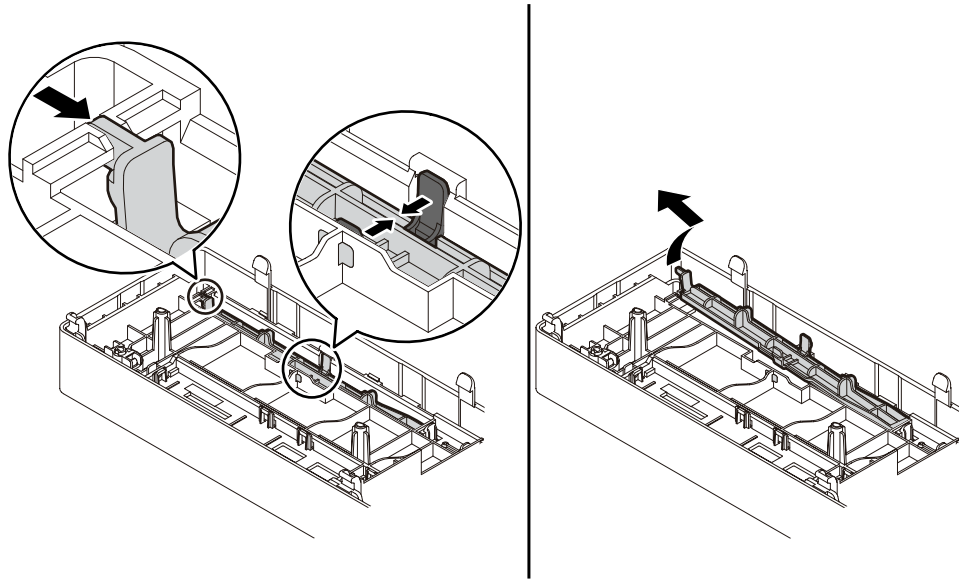


Figure 36. Removing the plastic shield

- b. If a metal shield is installed in the slim optical drive bay, remove the metal shield as shown.

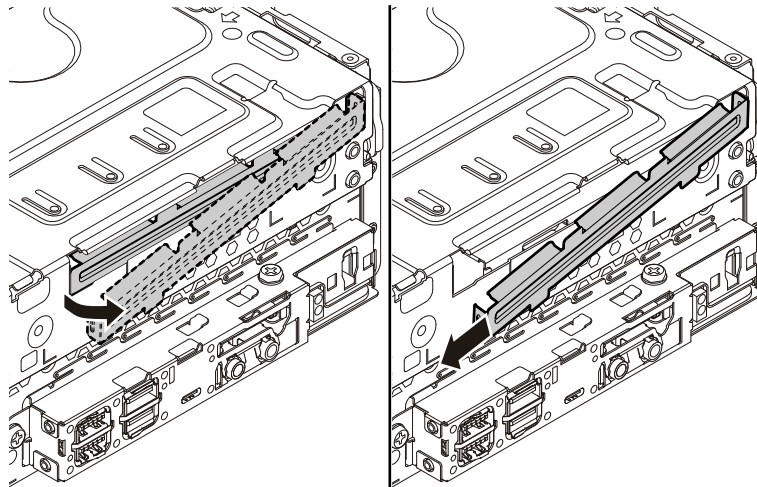


Figure 37. Removing the metal shield

- c. Align the three tabs on the bracket with the corresponding holes in the new slim optical drive. Then, install the bracket to the new slim optical drive.

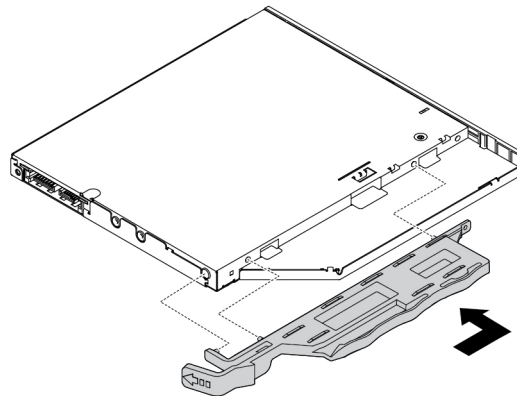


Figure 38. Installing the bracket to the new slim optical drive

- d. Insert the new slim optical drive into the chassis until you hear a click. The slim optical drive is secured in place.

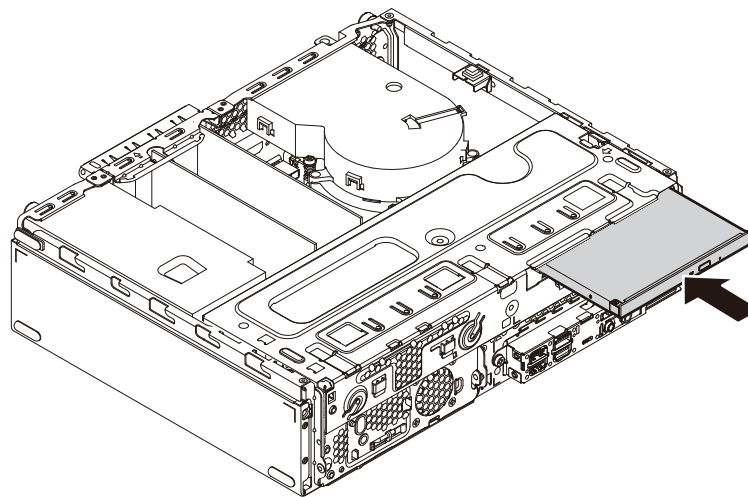


Figure 39. Installing the slim optical drive

**What to do next:**

- To work with another piece of hardware, go to the appropriate section.
- To complete the installation or replacement, go to “Completing the parts replacement” on page 155.

## Coin-cell battery

**Attention:** Do not open your computer or attempt any repair before reading and understanding the Chapter 1 “Read this first: Important safety information” on page 1.

Your computer has a special type of memory that maintains the date, time, and settings for built-in features, such as parallel-connector assignments (configuration). A coin-cell battery keeps this information active when you turn off the computer.

The coin-cell battery normally requires no charging or maintenance throughout its life; however, no battery lasts forever. If the coin-cell battery fails, the date and time information is lost.

Refer to the “Lithium coin-cell battery notice” in the *Safety and Warranty Guide* for information about disposing of the coin-cell battery.

To remove and install the coin-cell battery, do the following:

1. Prepare your computer. See “Preparing your computer” on page 92.
2. Locate the coin-cell battery. See “Parts on the system board” on page 37.
3. Remove any PCIe cards that might prevent your access to the coin-cell battery. See “PCIe card” on page 94.
4. Remove the old coin-cell battery as shown.

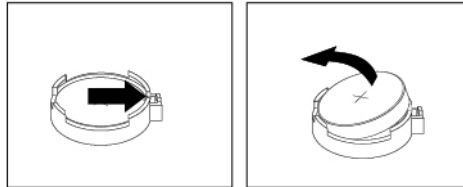


Figure 40. Removing the coin-cell battery

5. Install the new coin-cell battery as shown.

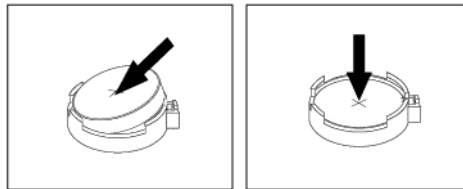


Figure 41. Installing the coin-cell battery

6. Reinstall the PCIe cards if you have removed them. See “PCIe card” on page 94.
7. Close the drive bay assembly and reinstall the front bezel. Then, reinstall the computer cover and reconnect the cables. See “Completing the parts replacement” on page 155.

**Note:** When the computer is turned on for the first time after the coin-cell battery is replaced, an error message might be displayed. This is normal after the coin-cell battery is replaced.

8. Turn on the computer and all attached devices.
9. Use the Setup Utility program to set the date and time. See “Using the Setup Utility program” on page 61.

#### What to do next:

- To work with another piece of hardware, go to the appropriate section.
- To complete the installation or replacement, go to “Completing the parts replacement” on page 155.

## Cover presence switch

**Attention:** Do not open your computer or attempt any repair before reading and understanding the Chapter 1 “Read this first: Important safety information” on page 1.

To remove or install the cover presence switch, do the following:

1. Remove the computer cover. See “Preparing your computer” on page 92.

2. Locate the cover presence switch. See “Computer components” on page 33.
3. To remove the cover presence switch, do the following:
  - a. Disconnect the cover presence switch cable from the cover presence switch connector on the system board. See “Parts on the system board” on page 37.
  - b. Remove the screw that secures the cover presence switch and remove the cover presence switch from the chassis.

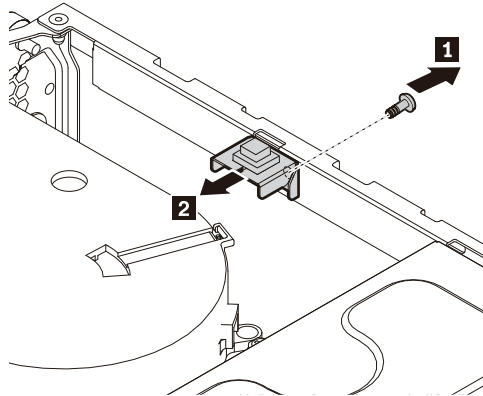


Figure 42. Removing the cover presence switch

4. To install the cover presence switch, do the following:
  - a. Align the screw hole in the cover presence switch with the corresponding hole in the chassis. Then install the screw to secure the cover presence switch to the chassis.

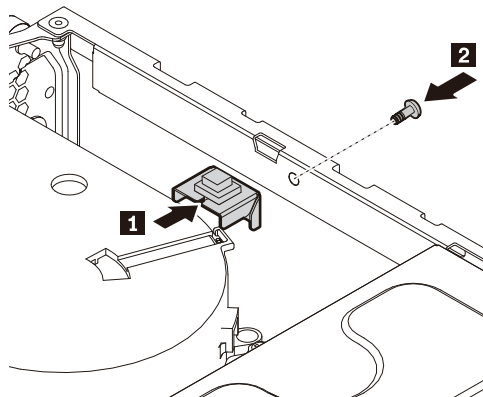


Figure 43. Installing the cover presence switch

- b. Connect the cover presence switch cable to the cover presence switch connector on the system board. See “Parts on the system board” on page 37.

**What to do next:**

- To work with another piece of hardware, go to the appropriate section.
- To complete the installation or replacement, go to “Completing the parts replacement” on page 155.

## Power supply assembly

**Attention:** Do not open your computer or attempt any repair before reading and understanding the Chapter 1 “Read this first: Important safety information” on page 1.

Although there are no moving parts in your computer after the power cord has been disconnected, the following warnings are required for your safety and proper Underwriters Laboratories (UL) certification.

**CAUTION:**



**Keep fingers and other parts of your body away from hazardous, moving parts. If you suffer an injury, seek medical care immediately.**



**DANGER**



**Disconnect all power cords from electrical outlets before removing the computer cover or any part that has the above label attached.**

To remove and install the power supply assembly, do the following:

1. Prepare your computer. See “Preparing your computer” on page 92.
2. To remove the power supply assembly, do the following:
  - a. Disconnect the power supply assembly cables from the system board and all drives. See “Parts on the system board” on page 37.
  - b. Release the power supply assembly cables from the cable clips and ties.

- c. Remove the three screws at the rear of the chassis that secure the power supply assembly. Press the power supply clip **a** downward to release the power supply assembly. Then slide the power supply assembly to the front of the computer and lift it out of the chassis.

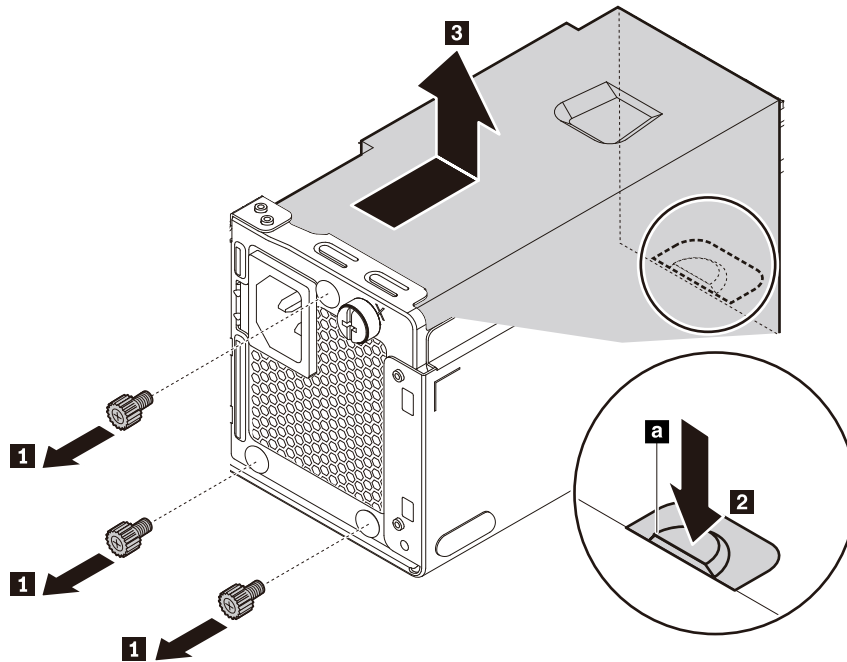


Figure 44. Removing the power supply assembly

3. To install the power supply assembly, do the following:
  - a. Ensure that the new power supply assembly is the correct replacement.



- b. Install the new power supply assembly into the chassis so that the screw holes in the power supply assembly align with those in the chassis. Install and tighten the three screws to secure the power supply assembly.

**Note:** Use only screws provided by Lenovo.

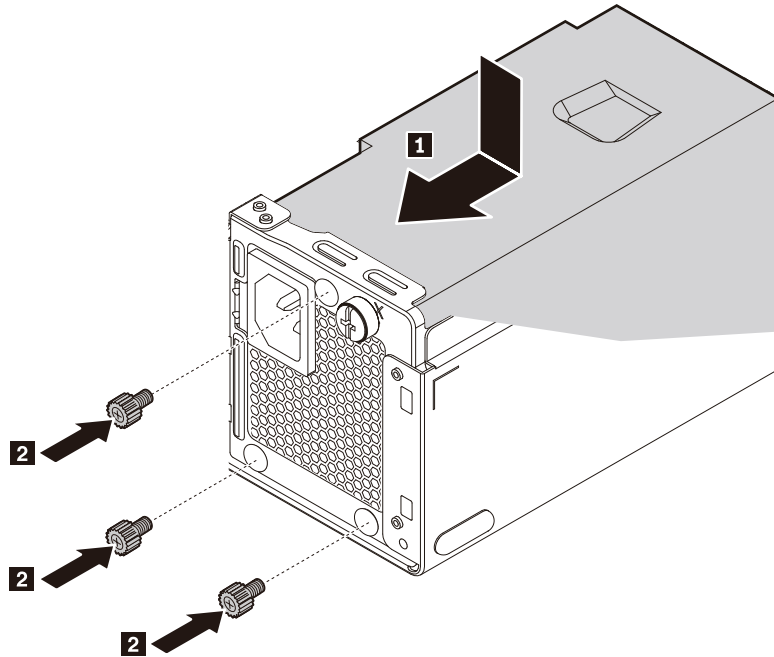


Figure 45. Installing the power supply assembly

- c. Connect the power supply assembly cables to the system board and each of the drives.
- d. Secure the power supply assembly cables with the cable clips and ties in the chassis.

**What to do next:**

- To work with another piece of hardware, go to the appropriate section.
- To complete the installation or replacement, go to “Completing the parts replacement” on page 155.

## Storage drive in the storage drive bay

**Attention:** Do not open your computer or attempt any repair before reading and understanding the Chapter 1 “Read this first: Important safety information” on page 1.

Depending on your computer model, one of the following devices might be installed in the storage drive bay:

- 3.5-inch storage drive
- 2.5-inch storage drive

### 3.5-inch storage drive

To remove or install the 3.5-inch storage drive in the bay, do the following:

1. Prepare your computer. See “Preparing your computer” on page 92.
2. Locate the storage drive bay. See “Internal storage drives” on page 38.
3. To remove the 3.5-inch storage drive, do the following:
  - a. Disconnect the signal cable and the power cable from the storage drive.

- b. Push the tab inward and then press the tab downward as shown to release the storage drive from the storage drive bay.

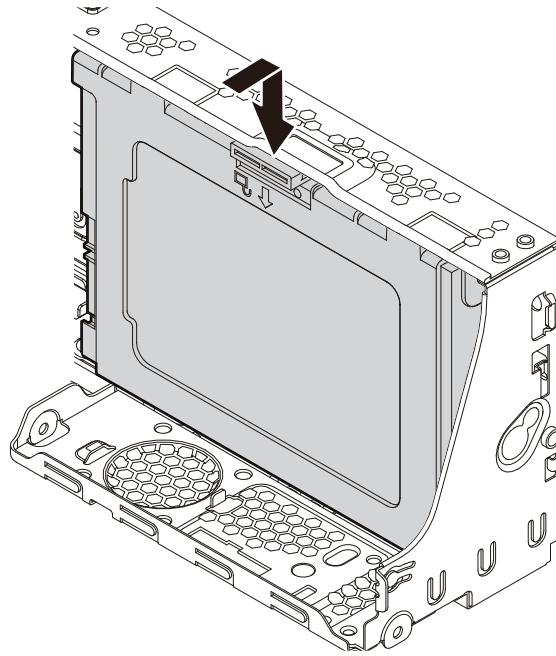


Figure 46. Releasing the 3.5-inch storage drive

- c. Pull the tab outward to remove the storage drive with the bracket from the bay.

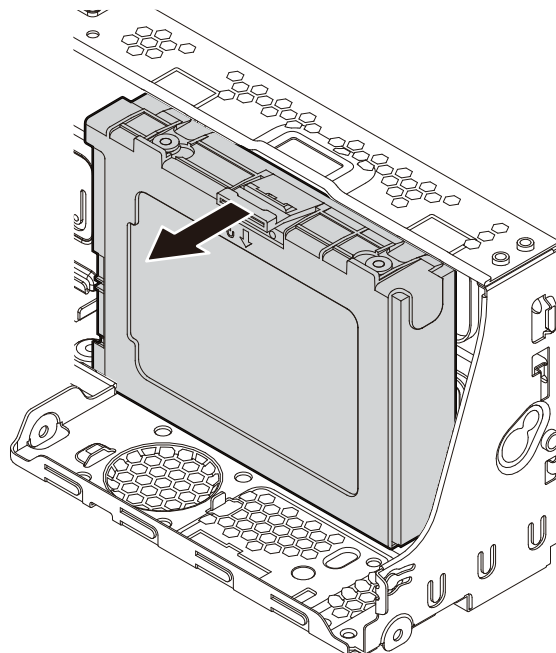
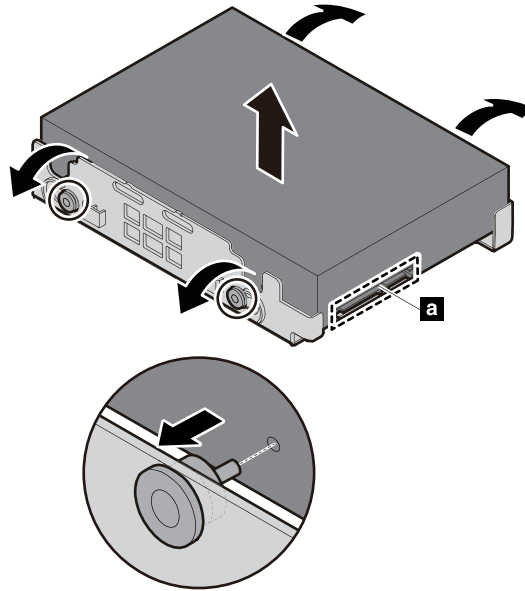


Figure 47. Removing the 3.5-inch storage drive with the bracket

- d. Flex both sides of the bracket to remove the 3.5-inch storage drive from the bracket.

**Note:** Do not touch the contact edge **a** on the storage drive.



*Figure 48. Removing the 3.5-inch storage drive from the bracket*

4. To install a new 3.5-inch storage drive, do the following:

- a. Flex both sides of the bracket and align the four pins on the bracket with the corresponding holes in the new storage drive.

**Note:** Do not touch the contact edge **a** on the storage drive.

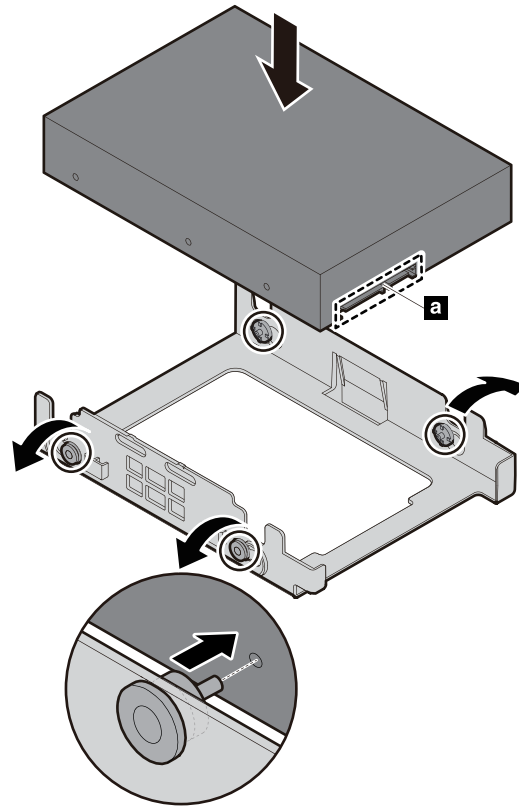
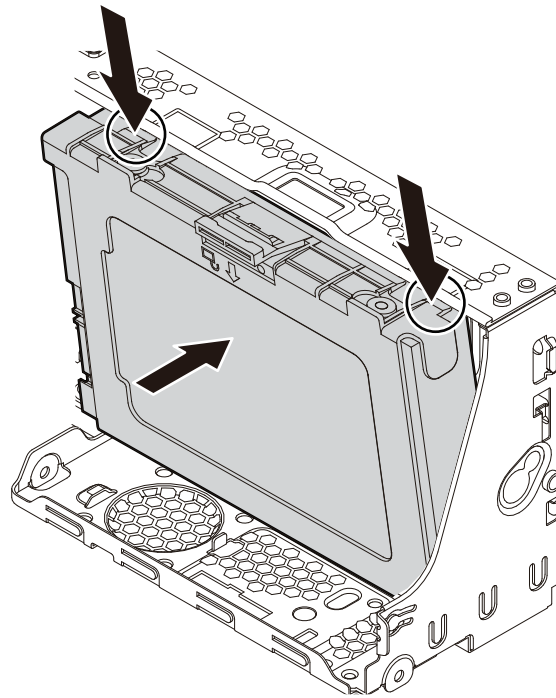


Figure 49. Installing the 3.5-inch storage drive into the bracket

- b. Place the new storage drive with the bracket into the storage drive bay as shown. Press the two tabs on the bracket downward and then push the storage drive inward until it snaps into position.



*Figure 50. Installing the 3.5-inch storage drive*

- c. Connect the signal cable and power cable to the new storage drive.

### **2.5-inch storage drive**

To remove or install a 2.5-inch storage drive in the storage drive bay, do the following:

1. Prepare your computer. See “Preparing your computer” on page 92.
2. Locate the storage drive bay. See “Internal storage drives” on page 38.
3. To remove a 2.5-inch storage drive in the storage drive bay, do the following:
  - a. Disconnect the signal cable and the power cable from the storage drive.

- b. Push the tab inward and then press the tab downward as shown to release the storage drive from the storage drive bay.

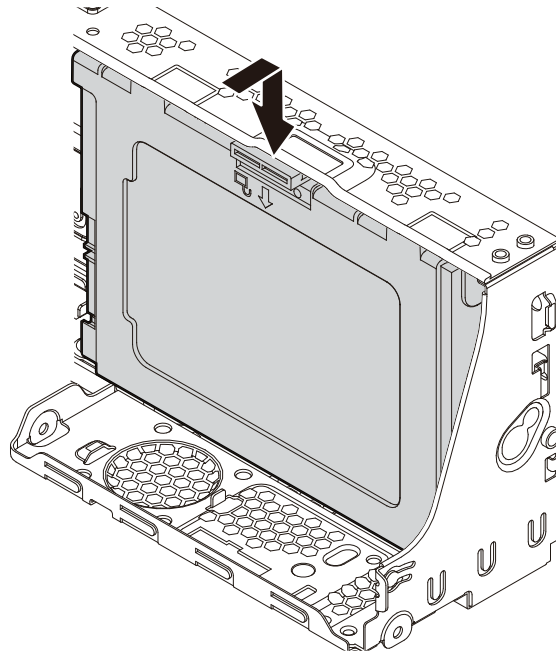


Figure 51. Releasing the storage drive

- c. Pull the tab outward to remove the storage drive with the bracket from the bay.

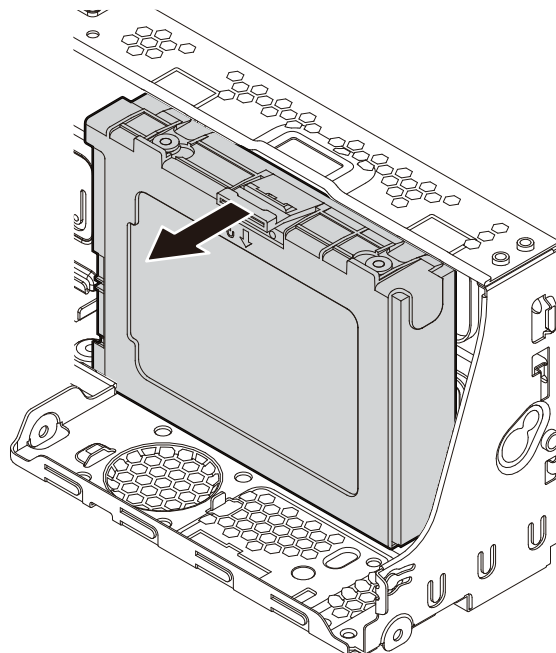


Figure 52. Removing the storage drive with the bracket

- d. Flex both sides of the bracket to remove the storage drive with converter from the bracket.

**Note:** Do not touch the contact edge **a** on the storage drive.

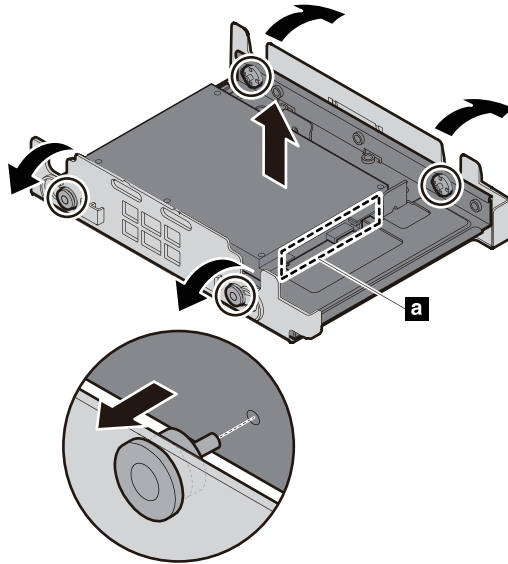


Figure 53. Removing the storage drive with converter from the bracket

- e. Remove the four screws that secure the 2.5-inch storage drive. Then lift the storage drive out of the storage-drive converter.

**Note:** Do not touch the contact edge **a** on the storage drive.

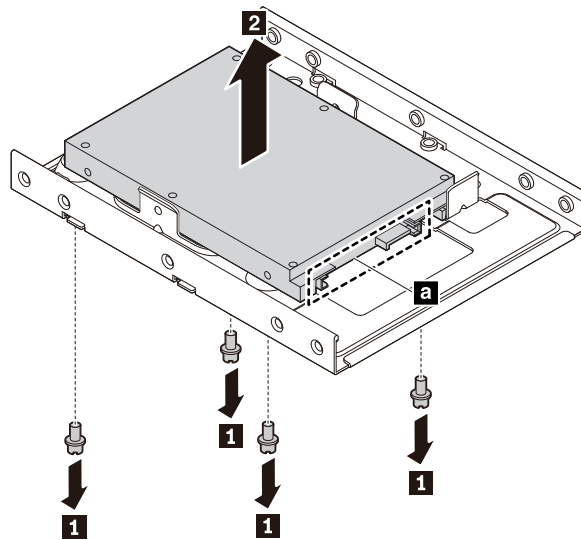


Figure 54. Removing the storage drive from the converter

- 4. To install a new 2.5-inch storage drive, do the following:

- a. Install a new 2.5-inch storage drive into the converter. Then install the four screws to secure the new storage drive to the converter.

**Note:** Do not touch the contact edge **a** on the storage drive.

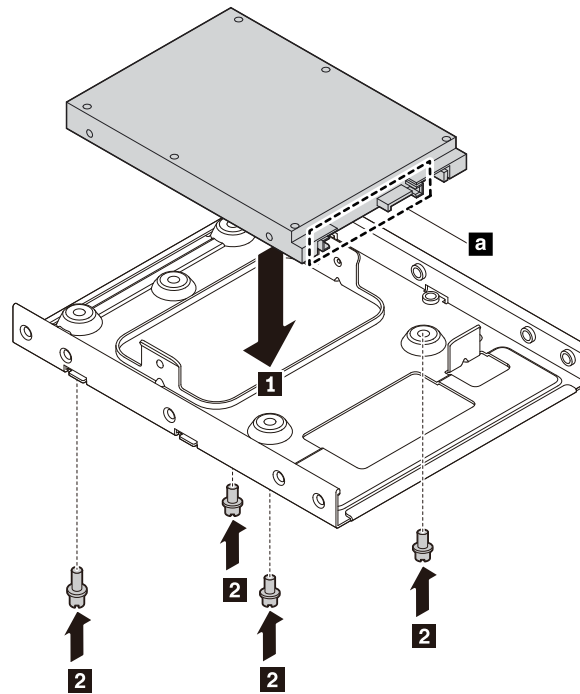


Figure 55. Installing the storage drive into the converter



- b. Flex both sides of the bracket and align the four pins on the bracket with the corresponding holes in the new storage-drive converter.

**Note:** Do not touch the contact edge **a** on the storage drive.

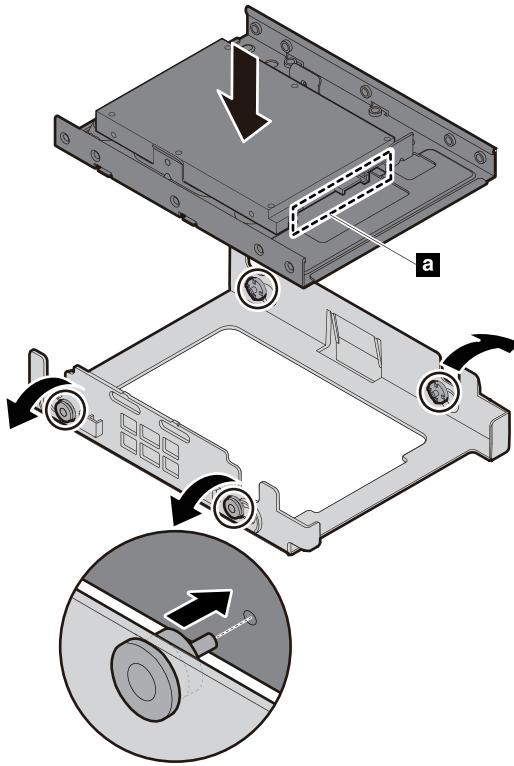


Figure 56. Installing the storage drive with converter into the bracket

- c. Place the new storage drive with the bracket into the storage drive bay as shown. Press the two tabs on the bracket downward and then push the storage drive inward until it snaps into position.

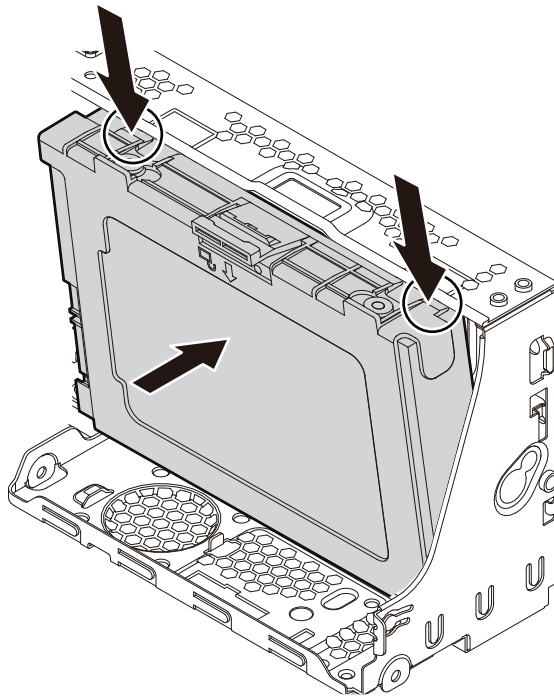


Figure 57. Installing the storage drive

- d. Connect the signal cable and power cable to the new storage drive.

**What to do next:**

- To work with another piece of hardware, go to the appropriate section.
- To complete the installation or replacement, go to “Completing the parts replacement” on page 155.

## Storage drive cage

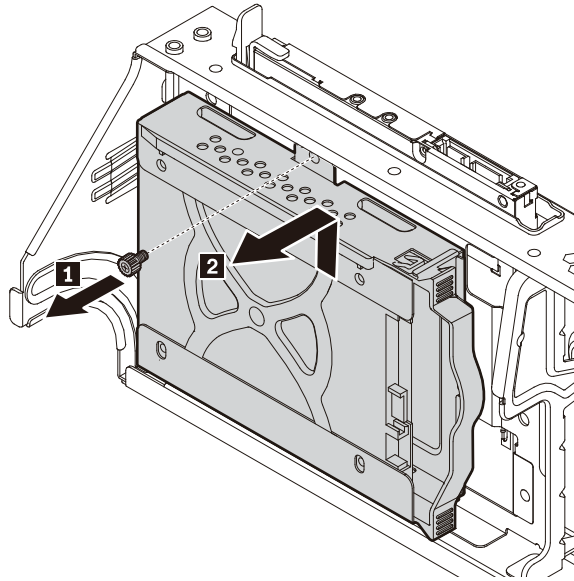
**Attention:** Do not open your computer or attempt any repair before reading and understanding the Chapter 1 “Read this first: Important safety information” on page 1.

Some computers come with a storage drive cage for installing or replacing a 2.5-inch storage drive.

To remove or install a 2.5-inch storage drive in the storage drive cage, do the following:

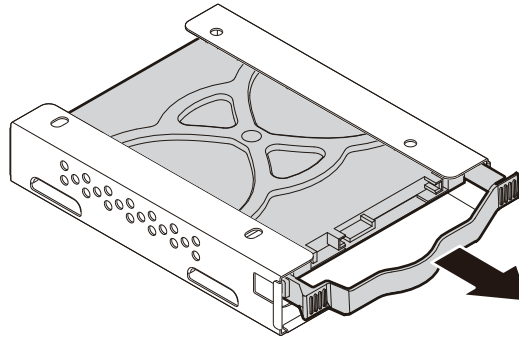
1. Prepare your computer. See “Preparing your computer” on page 92.
2. Locate the storage drive cage. See “Internal storage drives” on page 38.
3. To remove the storage drive in storage drive cage, do the following:
  - a. Disconnect the signal cable and the power cable from the storage drive.

- b. Remove the screw and slide the storage drive cage upward to release it from the chassis.



*Figure 58. Removing the storage drive cage*

- c. Pull the handle of the bracket to remove the 2.5-inch storage drive from the cage.



*Figure 59. Removing the 2.5-inch storage drive with the bracket*

- d. Flex the sides of the bracket to remove the 2.5-inch storage drive from the bracket.

**Note:** Do not touch the contact edge **a** on the storage drive.

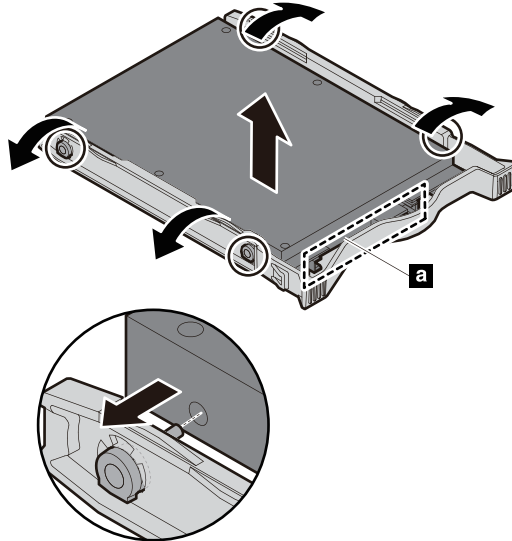


Figure 60. Removing the 2.5-inch storage drive from the bracket

- 4. To install the storage drive in the storage drive cage, do the following:
  - a. To install a new 2.5-inch storage drive into the bracket, flex the bracket and align the four pins on the bracket with the corresponding holes in the storage drive.

**Note:** Do not touch the contact edge **a** on the storage drive.

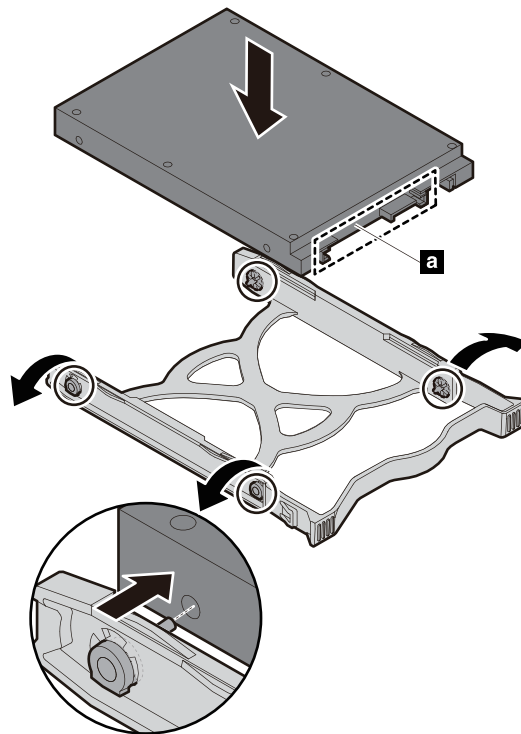


Figure 61. Installing the 2.5-inch storage drive into the bracket

- b. Slide the new storage drive into the storage drive cage until it snaps into position.

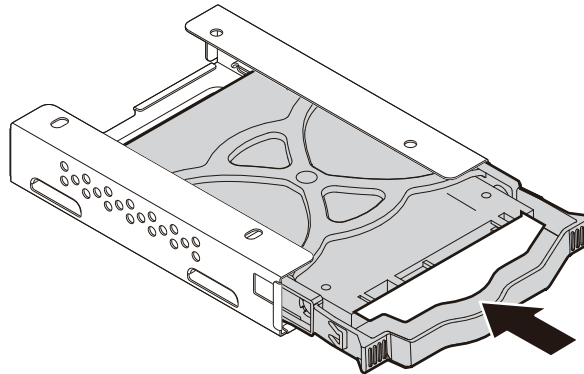


Figure 62. Installing the 2.5-inch storage drive into the storage drive cage

- c. Align the four holes on the rear of the storage drive cage with the corresponding hooks in the drive bay assembly. Then slide the storage drive cage downward until it snaps into position. Install the screw to secure the storage drive cage.

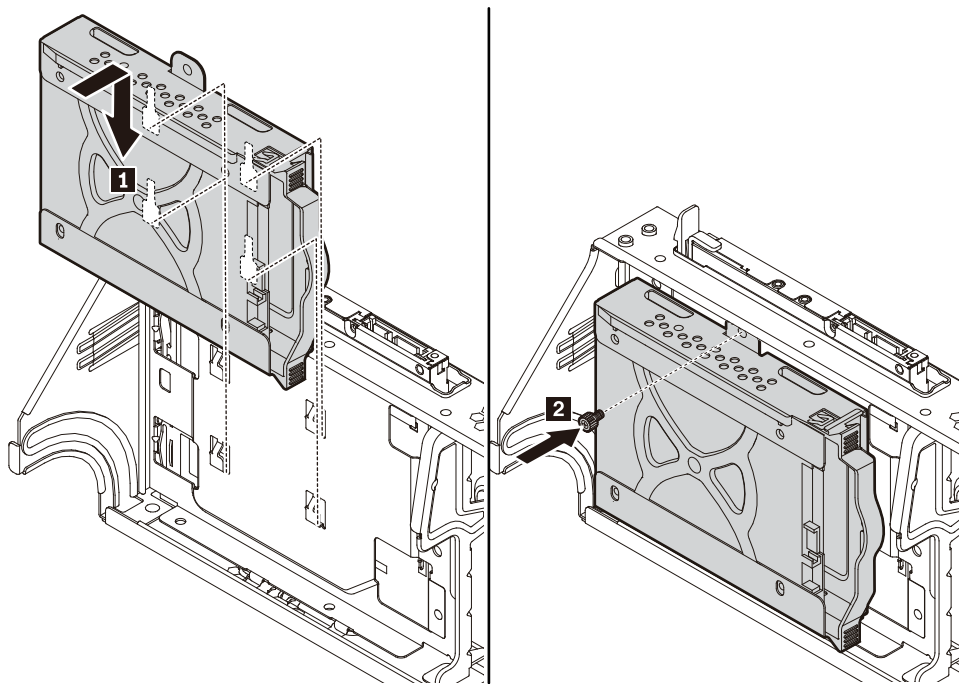


Figure 63. Installing the storage drive cage

- d. Connect the signal cable and the power cable to the new storage drive.

**What to do next:**

- To work with another piece of hardware, go to the appropriate section.
- To complete the installation or replacement, go to “Completing the parts replacement” on page 155.

## E-lock

**Attention:** Do not open your computer or attempt any repair before reading and understanding the Chapter 1 “Read this first: Important safety information” on page 1.

**Note:** To remove the screws, you need a special tool (T15 star wrench).

To remove or install the E-lock, do the following:

1. Remove the computer cover. See “Preparing your computer” on page 92.
2. Locate the E-lock. See “Computer components” on page 33.
3. To remove the E-lock, do the following:
  - a. Disconnect the E-lock cable from the E-lock connector on the system board. See “Parts on the system board” on page 37.
  - b. Remove the screw that secures the E-lock and remove the E-lock from the chassis.

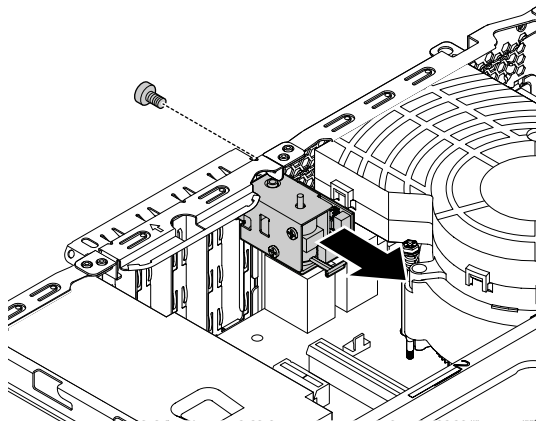


Figure 64. Removing the E-lock

4. To install the E-lock, do the following:
  - a. Align the screw hole in the E-lock with the corresponding hole in the chassis. Then, install the screw to secure the E-lock to the chassis.

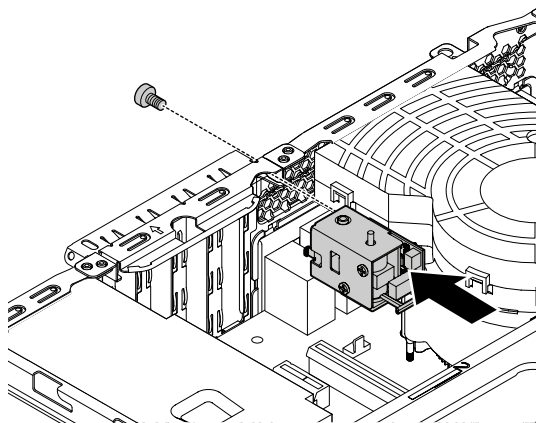


Figure 65. Installing the E-lock

- b. Connect the E-lock cable to the E-lock connector on the system board. See “Parts on the system board” on page 37.

**What to do next:**

- To work with another piece of hardware, go to the appropriate section.
- To complete the installation or replacement, go to “Completing the parts replacement” on page 155.

## Power button

**Attention:** Do not open your computer or attempt any repair before reading and understanding the Chapter 1 “Read this first: Important safety information” on page 1.

To remove or install the power button, do the following:

1. Prepare your computer. See “Preparing your computer” on page 92.
2. Locate the power button. See “Major FRUs and CRUs” on page 34.
3. To remove the power button, do the following:
  - a. Disconnect the power button cable from the front-bezel connector on the system board. If your computer is installed with a card reader, disconnect the card reader cable from the USB 2.0 connector on the system board. See “Parts on the system board” on page 37.
  - b. Pivot the drive bay assembly inward until it snaps into position. See “Completing the parts replacement” on page 155.
  - c. Remove the screw that secures the front audio and USB assembly, and then remove the assembly from the chassis as shown.

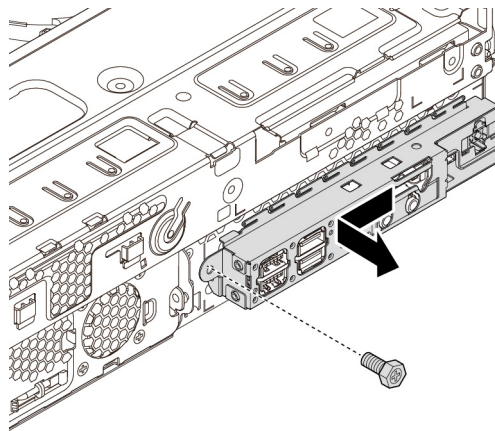


Figure 66. Removing the front audio and USB assembly

- d. Pinch the retaining clip **1** on the power button. Push the power button inward through the hole to disengage it from the front audio and USB assembly.

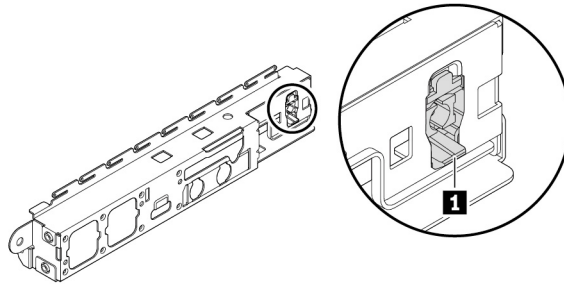


Figure 67. Removing the power button

4. To install the new power button, do the following:
  - a. From the inner side of the front audio and USB assembly, insert the tab **1** on the new power button into the hole in the chassis as shown. Then, push the power button outward until the retaining clip on the other side snaps into position.

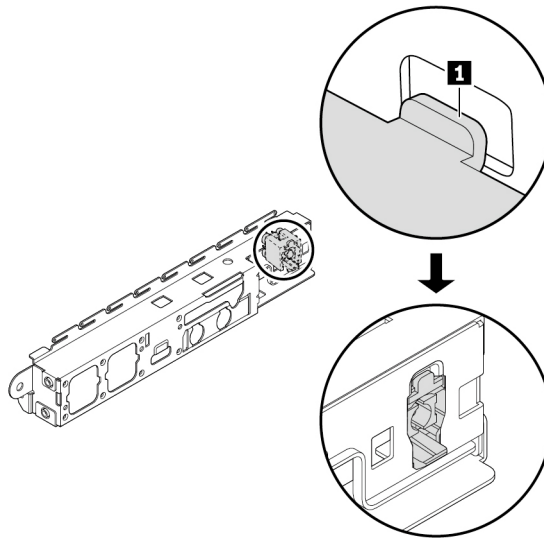


Figure 68. Installing the power button



- b. Insert the tab **1** on the front audio and USB assembly into the hole in the chassis as shown.

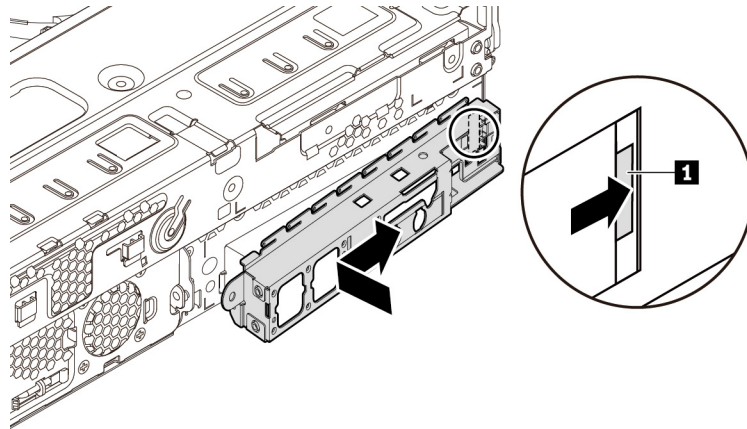


Figure 69. Installing the front audio and USB assembly

- c. Align the screw hole in the front audio and USB assembly with the corresponding hole in the chassis. Then, install the screw to secure the front audio and USB assembly to the chassis.

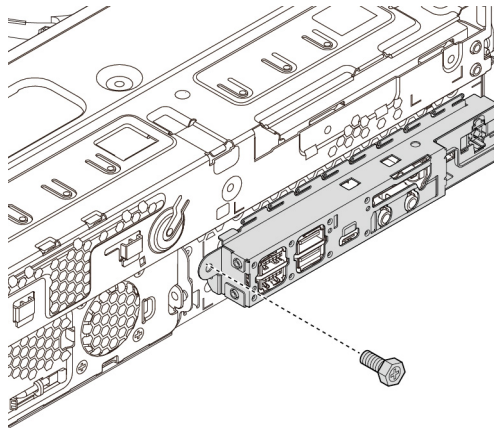


Figure 70. Installing the screw

- d. Press the release tab and pivot the drive bay assembly outward to open it. See “Preparing your computer” on page 92.
- e. Connect the power button cable to the front-bezel connector on the system board. If the card reader cable has been disconnected, reconnect it to a USB 2.0 connector on the system board. See “Parts on the system board” on page 37.

#### What to do next:

- To work with another piece of hardware, go to the appropriate section.
- To complete the installation or replacement, go to “Completing the parts replacement” on page 155.

## Card reader

**Attention:** Do not open your computer or attempt any repair before reading and understanding the Chapter 1 “Read this first: Important safety information” on page 1.

**Note:** The card reader is only available on some models.

To remove or install the card reader, do the following:

1. Prepare your computer. See “Preparing your computer” on page 92.
2. Locate the card reader. See “Major FRUs and CRUs” on page 34.
3. To remove the card reader, do the following:
  - a. Disconnect the card reader cable and the power button cable from the USB 2.0 connector and the front-bezel connector on the system board. See “Parts on the system board” on page 37.
  - b. Pivot the drive bay assembly inward until it snaps into position. See “Completing the parts replacement” on page 155.
  - c. Remove the screw that secures the front audio and USB assembly, and then remove the assembly from the chassis as shown.

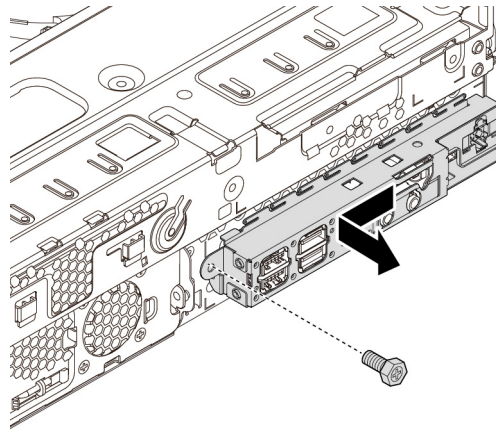


Figure 71. Removing the front audio and USB assembly

- d. Remove the screw that secures the card reader bracket. Then, remove the card reader bracket from the rear of the front audio and USB assembly as shown.

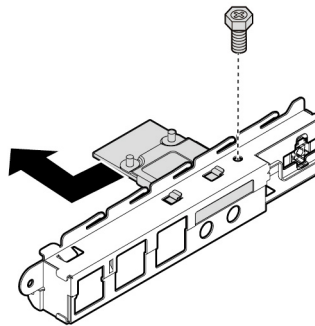
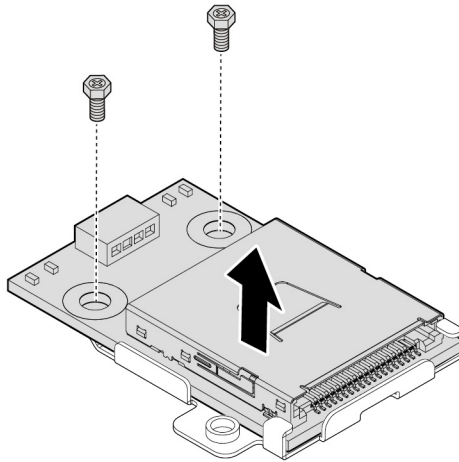


Figure 72. Removing the card reader bracket

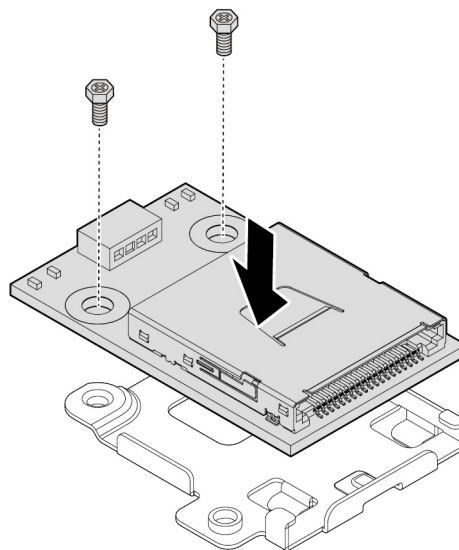
- e. Remove the two screws that secure the card reader. Then, carefully lift the card reader off the card reader bracket.



*Figure 73. Removing the card reader*

4. To install the new card reader, do the following:
  - a. Align the two screw holes in the new card reader with the two screw holes in the card reader bracket. Then, install the two screws to secure the card reader.

**Note:** Carefully handle the card reader by its edges.



*Figure 74. Installing the new card reader*

- b. Reinstall the card reader bracket from the rear of the front audio and USB assembly. Then, install the screw to secure the card reader bracket to the front audio and USB assembly.

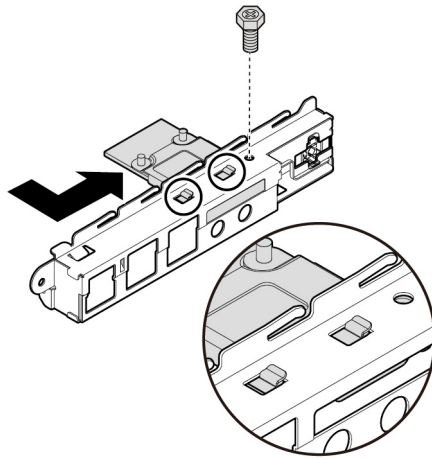


Figure 75. Installing the card reader bracket

- c. Insert the tab **1** on the front audio and USB assembly into the hole in the chassis as shown.

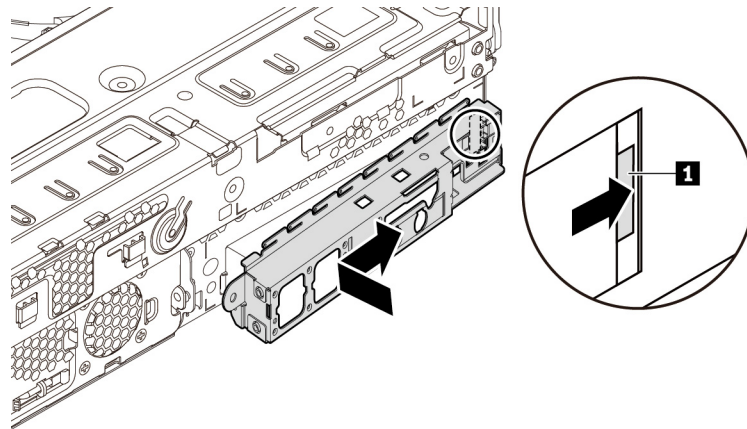


Figure 76. Installing the front audio and USB assembly

- d. Align the screw hole in the front audio and USB assembly with the corresponding hole in the chassis. Then, install the screw to secure the front audio and USB assembly to the chassis.

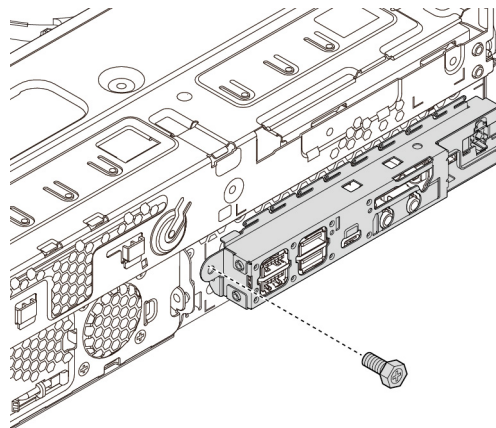


Figure 77. Installing the screw

- e. Press the release tab and pivot the drive bay assembly outward to open it. See “Preparing your computer” on page 92.
- f. Connect the card reader cable and the power button cable to a USB 2.0 connector and the front-bezel connector on the system board. See “Parts on the system board” on page 37.

**What to do next:**

- To work with another piece of hardware, go to the appropriate section.
- To complete the installation or replacement, go to “Completing the parts replacement” on page 155.

## Front audio and USB assembly

**Attention:** Do not open your computer or attempt any repair before reading and understanding the Chapter 1 “Read this first: Important safety information” on page 1.

To remove or install the front audio and USB assembly, do the following:

1. Prepare your computer. See “Preparing your computer” on page 92.
2. Locate the front audio and USB assembly. See “Major FRUs and CRUs” on page 34.
3. To remove the front audio and USB assembly, do the following:
  - a. Disconnect the power button cable from the front-bezel connector on the system board. If your computer is installed with a card reader, disconnect the card reader cable from the USB 2.0 connector on the system board. See “Parts on the system board” on page 37.
  - b. Pivot the drive bay assembly inward until it snaps into position. See “Completing the parts replacement” on page 155.
  - c. Remove the screw that secures the front audio and USB assembly, and then remove the assembly from the chassis as shown.

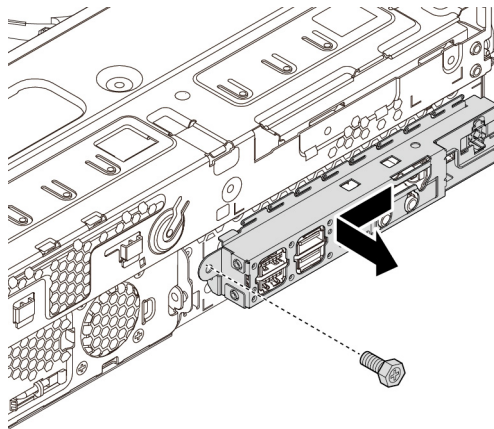


Figure 78. Removing the front audio and USB assembly

- d. Remove the power button. See “Power button” on page 127.
- e. Remove the card reader. See “Card reader” on page 129.
4. To install the new front audio and USB assembly, do the following:
  - a. Install the card reader. See “Card reader” on page 129.
  - b. Install the power button. See “Power button” on page 127.

- c. Insert the tab **1** on the new front audio and USB assembly into the hole in the chassis as shown.

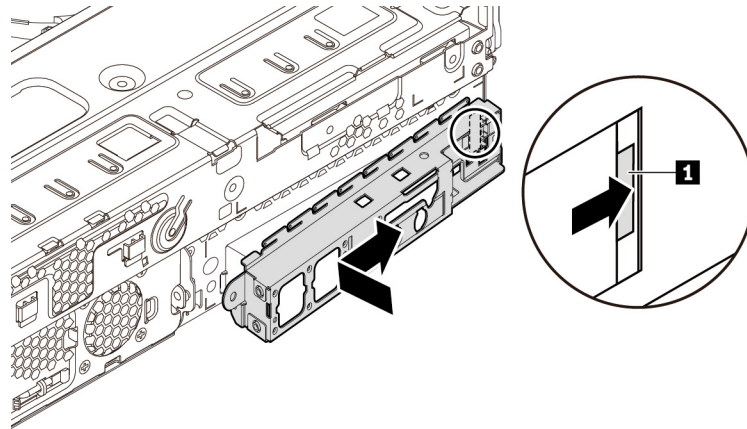


Figure 79. Installing the front audio and USB assembly

- d. Align the screw hole in the front audio and USB assembly with the corresponding hole in the chassis. Then, install the screw to secure the front audio and USB assembly to the chassis.

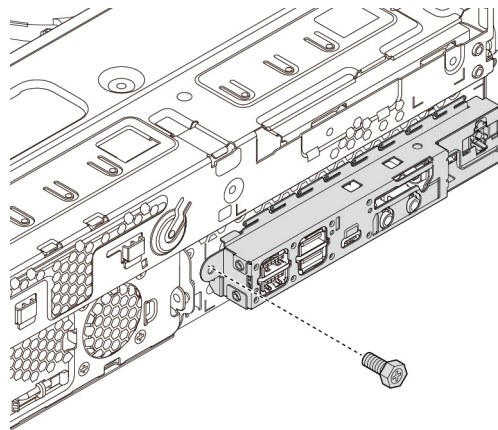


Figure 80. Installing the screw

- e. Press the release tab and pivot the drive bay assembly outward to open it. See “Preparing your computer” on page 92.
- f. Connect the power button cable to the front-bezel connector on the system board. If the card reader cable has been disconnected, reconnect it to a USB 2.0 connector on the system board. See “Parts on the system board” on page 37.

#### What to do next:

- To work with another piece of hardware, go to the appropriate section.
- To complete the installation or replacement, go to “Completing the parts replacement” on page 155.

## ThinkStation LED

**Attention:** Do not open your computer or attempt any repair before reading and understanding the Chapter 1 “Read this first: Important safety information” on page 1.

To remove or install the ThinkStation LED, do the following:



1. Prepare your computer. See “Preparing your computer” on page 92.
2. Locate the ThinkStation LED. See “Major FRUs and CRUs” on page 34.
3. To remove the ThinkStation LED, do the following:
  - a. Disconnect the ThinkStation LED cable from the ThinkStation LED connector on the system board. See “Parts on the system board” on page 37.
  - b. Pull the ThinkStation LED cover to remove it from the ThinkStation LED.

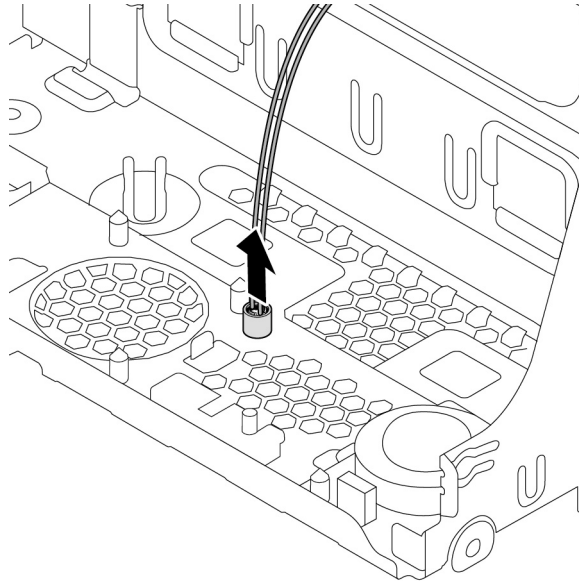


Figure 81. Removing the ThinkStation LED cover

- 
- 
- 
- c. Release the two retaining clips **1** that secure the ThinkStation LED in the plastic holder. Then, pull the ThinkStation LED out of the plastic holder.

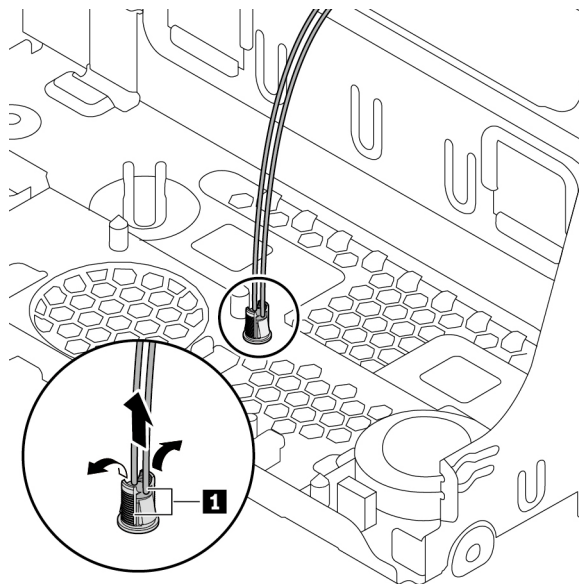
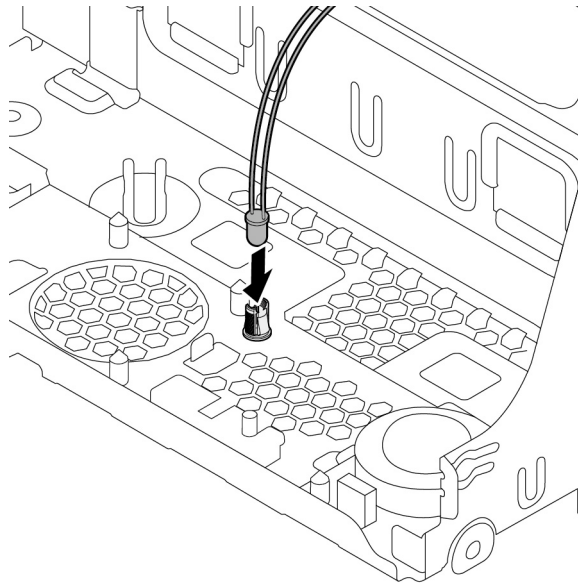


Figure 82. Removing the ThinkStation LED

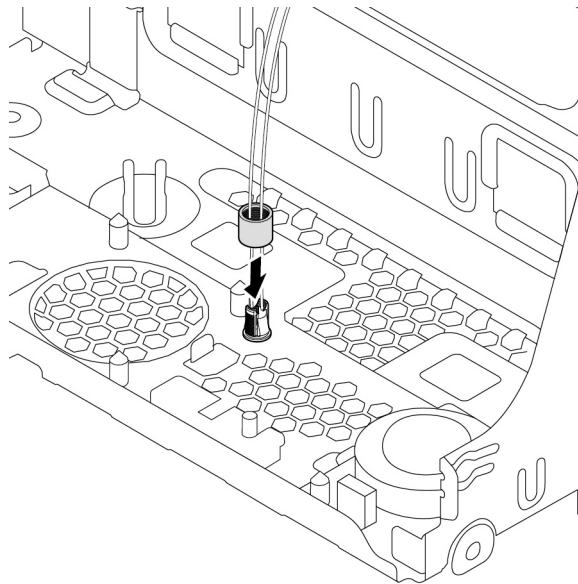
- 
- 
- 
- 
4. To install the new ThinkStation LED, do the following:

- a. Insert the new ThinkStation LED into the plastic holder until it snaps into position.



*Figure 83. Installing the ThinkStation LED*

- b. Install the ThinkStation LED cover as shown to secure the ThinkStation LED.



*Figure 84. Installing the ThinkStation LED cover*

- c. Connect the ThinkStation LED cable to the ThinkStation LED connector on the system board. See “Parts on the system board” on page 37.

**What to do next:**

- To work with another piece of hardware, go to the appropriate section.
- To complete the installation or replacement, go to “Completing the parts replacement” on page 155.



## Thermal sensor

**Attention:** Do not open your computer or attempt any repair before reading and understanding the Chapter 1 “Read this first: Important safety information” on page 1.

To remove or install the thermal sensor, do the following:

1. Prepare your computer. See “Preparing your computer” on page 92.
2. Locate the thermal sensor. See “Major FRUs and CRUs” on page 34.
3. To remove the thermal sensor, do the following:
  - a. Disconnect the thermal-sensor cable from the thermal-sensor connector on the system board. See “Parts on the system board” on page 37.
  - b. Pivot the drive bay assembly inward until it snaps into position. See “Completing the parts replacement” on page 155.
  - c. Pivot the retaining clip **1** that secures the plastic holder of the thermal sensor. Then, push the clip inward to release it and then disengage the plastic holder from the chassis.

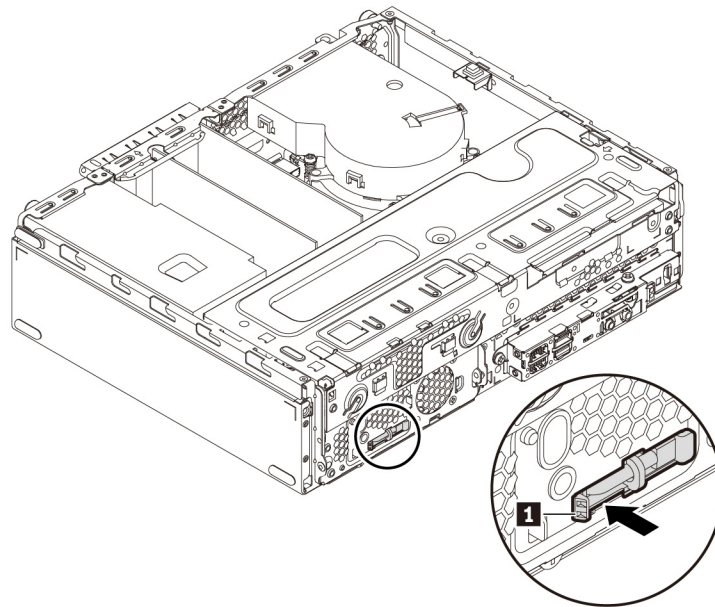


Figure 85. Pivoting the retaining clip and disengaging the plastic holder

- d. Press the release tab and pivot the drive bay assembly outward to open it. See “Preparing your computer” on page 92.

- e. Remove the entire thermal sensor from the chassis.

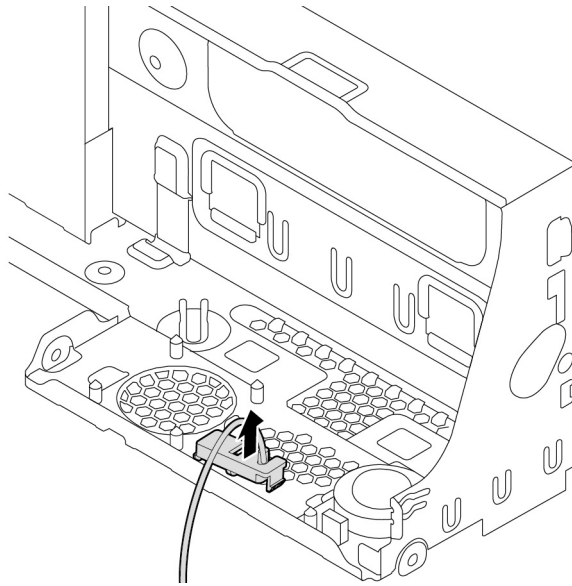


Figure 86. Removing the thermal sensor

4. To install the new thermal sensor, do the following:
  - a. From the inner side of the chassis, insert the tab **1** of the new thermal sensor into the hole in the chassis as shown. Then, push the thermal sensor outward until the retaining clip on the other side snaps into position.

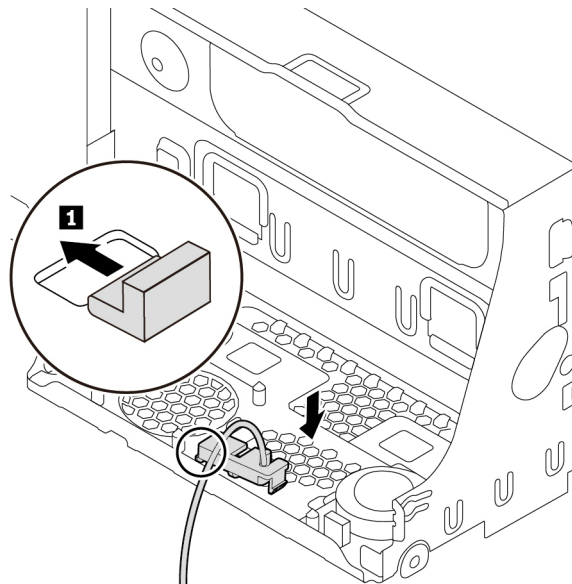


Figure 87. Installing the thermal sensor

- b. Connect the thermal-sensor cable to the thermal-sensor connector on the system board. See “Parts on the system board” on page 37.

**What to do next:**

- To work with another piece of hardware, go to the appropriate section.

- To complete the installation or replacement, go to “Completing the parts replacement” on page 155.

## Internal speaker

**Attention:** Do not open your computer or attempt any repair before reading and understanding the Chapter 1 “Read this first: Important safety information” on page 1.

**Note:** The internal speaker is only available on some models.

To remove or install the internal speaker, do the following:

1. Prepare your computer. See “Preparing your computer” on page 92.
2. Locate the internal speaker. See “Major FRUs and CRUs” on page 34.
3. To remove the internal speaker, do the following:
  - a. Disconnect the internal-speaker cable from the internal-speaker connector on the system board. See “Parts on the system board” on page 37.
  - b. Pivot the drive bay assembly inward until it snaps into position. See “Completing the parts replacement” on page 155.
  - c. Remove the two screws that secure the internal speaker to the chassis.

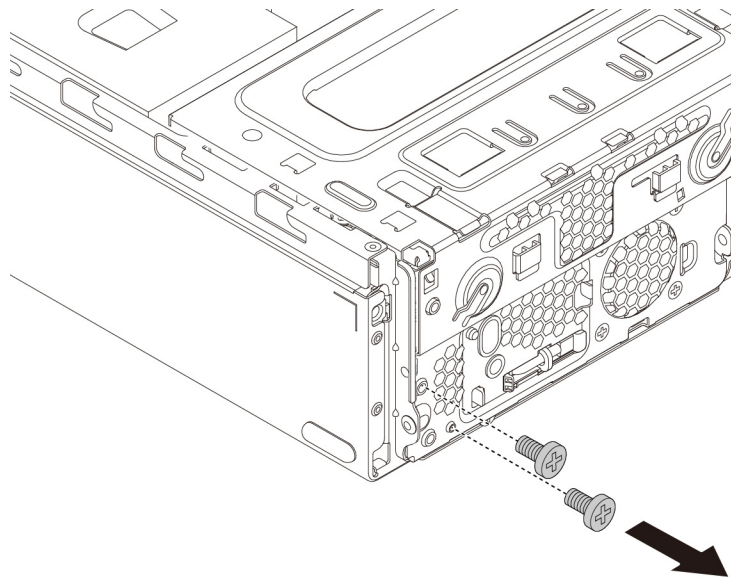
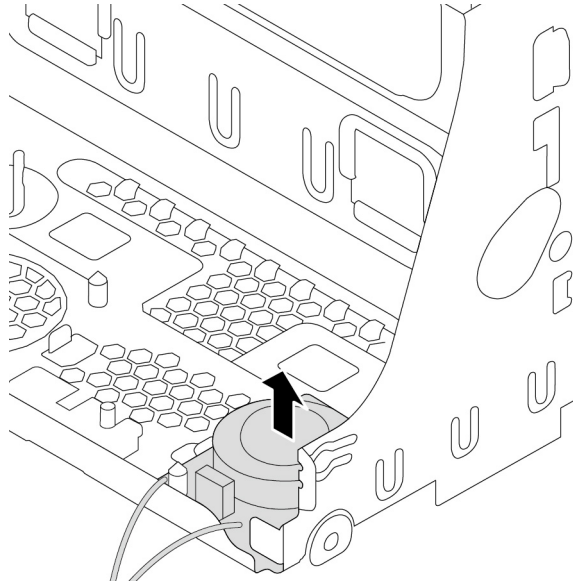


Figure 88. Removing the screws

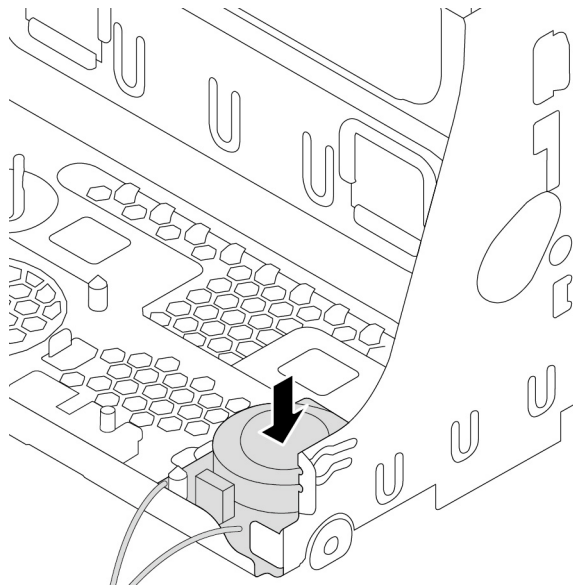
- d. Press the release tab and pivot the drive bay assembly outward to open it. See “Preparing your computer” on page 92.

- e. Lift the internal speaker out of the chassis.



*Figure 89. Removing the internal speaker*

- 4. To install the new internal speaker, do the following:
  - a. Align the two screw holes in the new internal speaker with the screw holes in the chassis.



*Figure 90. Installing the internal speaker*

- b. Pivot the drive bay assembly inward until it snaps into position while holding the internal speaker in position. See “Completing the parts replacement” on page 155.

- c. Install the two screws to secure the internal speaker to the chassis.

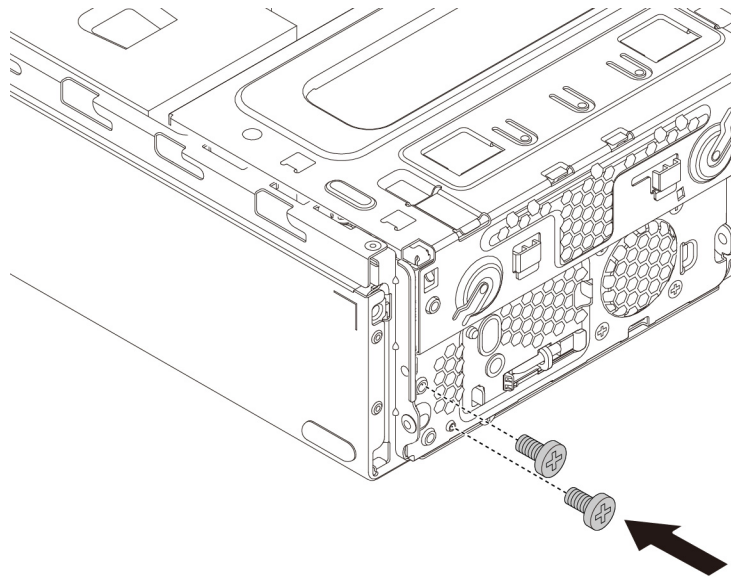


Figure 91. Installing the screws

- d. Press the release tab and pivot the drive bay assembly outward to open it. See “Preparing your computer” on page 92.
- e. Connect the internal-speaker cable to the internal-speaker connector on the system board. See “Parts on the system board” on page 37.

#### What to do next:

- To work with another piece of hardware, go to the appropriate section.
- To complete the installation or replacement, go to “Completing the parts replacement” on page 155.

## Wi-Fi units

**Attention:** Before you replace any FRU, be sure to read and understand Chapter 1 “Read this first: Important safety information” on page 1.

The Wi-Fi units include a Wi-Fi card, a front Wi-Fi antenna, and a rear Wi-Fi antenna.

#### Notes:

- The Wi-Fi units are only available on some models.
- Depending on the model, the Wi-Fi units might look slightly different from the illustrations.

#### Wi-Fi card

To remove or install the Wi-Fi card, do the following:

1. Prepare your computer. See “Preparing your computer” on page 92.
2. Locate the Wi-Fi card slot. See “Parts on the system board” on page 37.
3. Untie the cables that prevent your access to the Wi-Fi card from the cable clip.
4. To remove the Wi-Fi card, do the following:

- a. Pull the handle of the retaining latch outward to the open position. Then, slide the Wi-Fi card shield as shown to remove it from the Wi-Fi card.

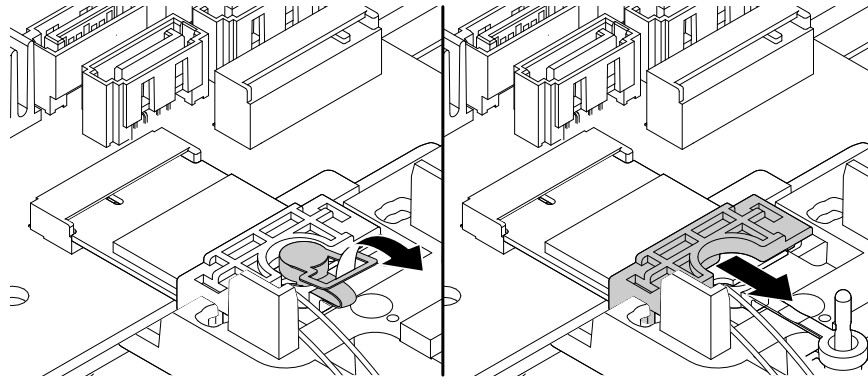


Figure 92. Opening the retaining latch and removing the Wi-Fi card shield

- b. Disconnect the Wi-Fi antenna cables from the Wi-Fi card.

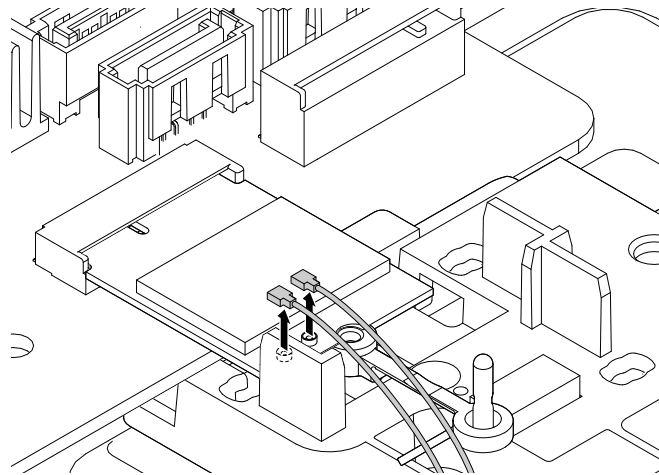


Figure 93. Disconnecting the front and rear Wi-Fi antenna cables

- c. Remove the Wi-Fi card out of the slot.

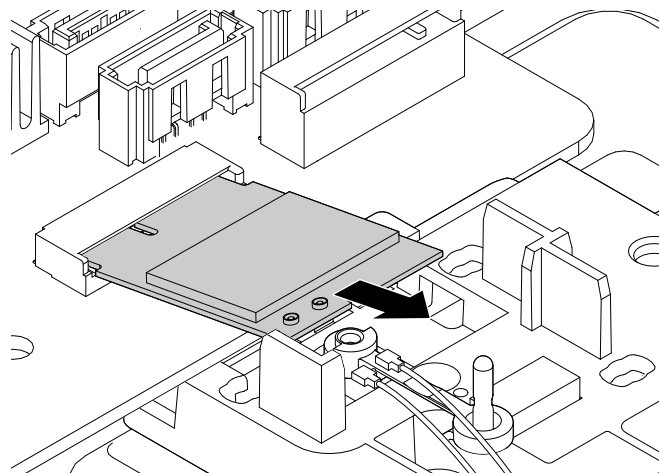


Figure 94. Removing the Wi-Fi card

5. To install the new Wi-Fi card, do the following:

- a. If necessary, install the plastic holder first. Align the four tabs on the rear of the plastic holder with the corresponding holes in the chassis. Then, slide the plastic holder toward the system board until it snaps into position.

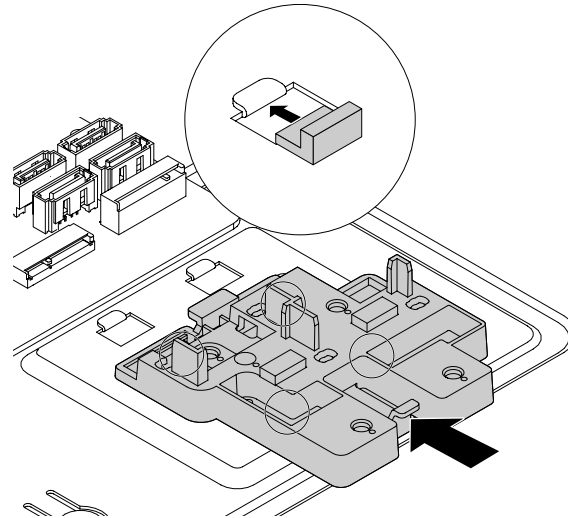


Figure 95. Installing the plastic holder

- b. If necessary, locate the appropriate hole in the plastic holder to install the retaining latch. Align the pin **a** with the hole **b** in the plastic holder. Then, press the retaining latch downward until it snaps into position.

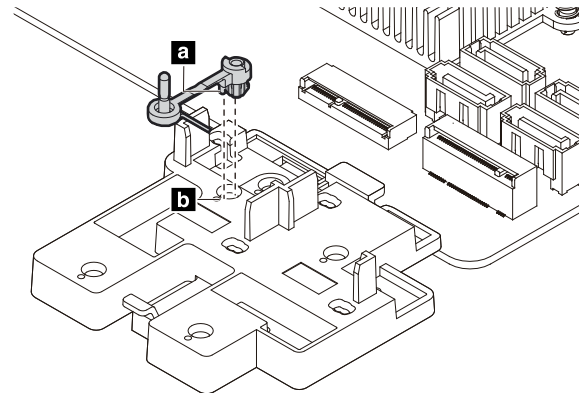
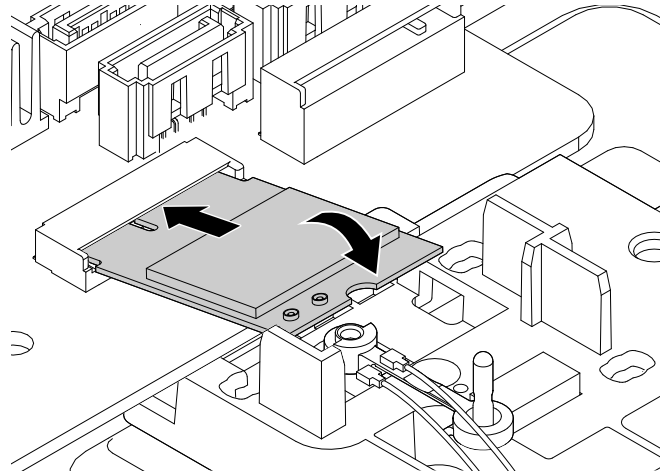


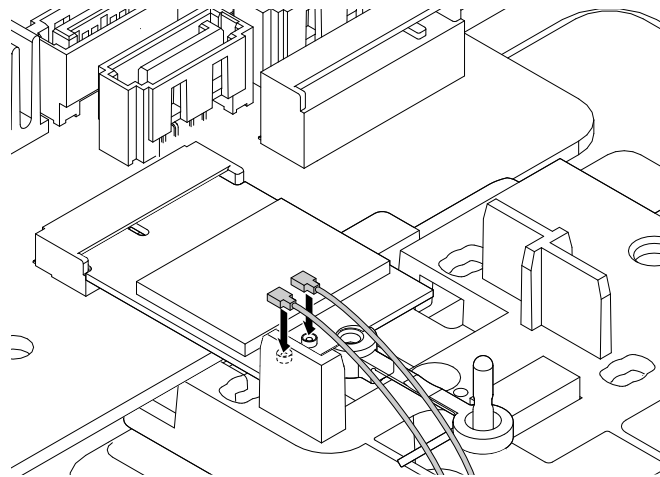
Figure 96. Installing the plastic holder

- c. Insert the new Wi-Fi card into the Wi-Fi card slot. Then, pivot the Wi-Fi card downward.



*Figure 97. Inserting the Wi-Fi card and pivoting it downward*

- d. Connect the Wi-Fi antenna cables to the Wi-Fi card.



*Figure 98. Connecting the Wi-Fi antenna cables*



- e. Slide the Wi-Fi card shield as shown to install it to the Wi-Fi card. Align the pin on the retaining latch with the corresponding hole in the plastic holder. Then, press the retaining latch downward into the hole until it snaps into position.

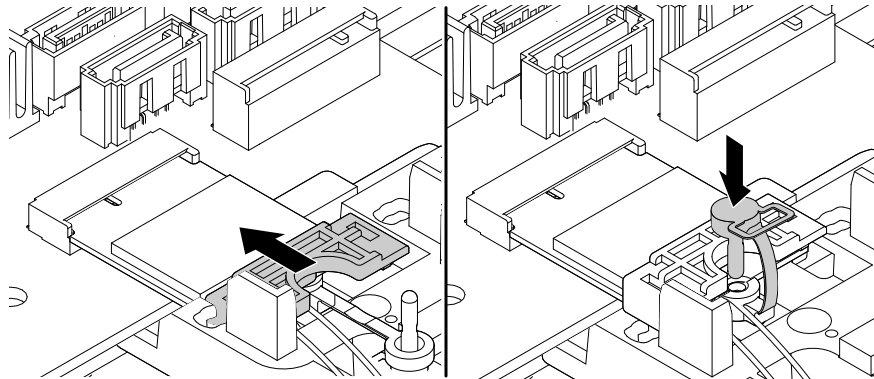


Figure 99. Installing the Wi-Fi card shield and installing the retaining latch

**What to do next:**

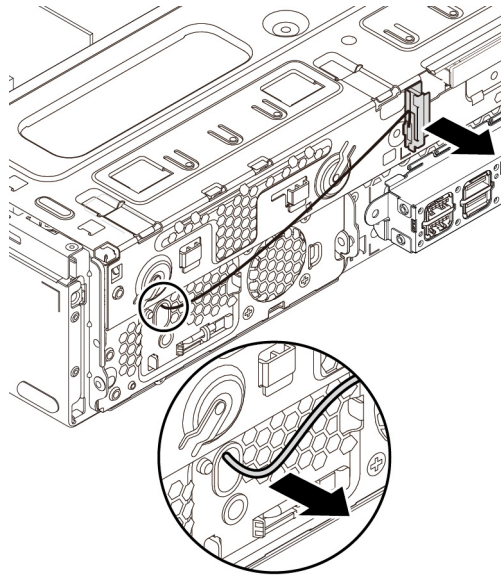
- To work with another piece of hardware, go to the appropriate section.
- To complete the installation or replacement, go to “Completing the parts replacement” on page 155.

**Front Wi-Fi antenna**

To remove or install the front Wi-Fi antenna, do the following:

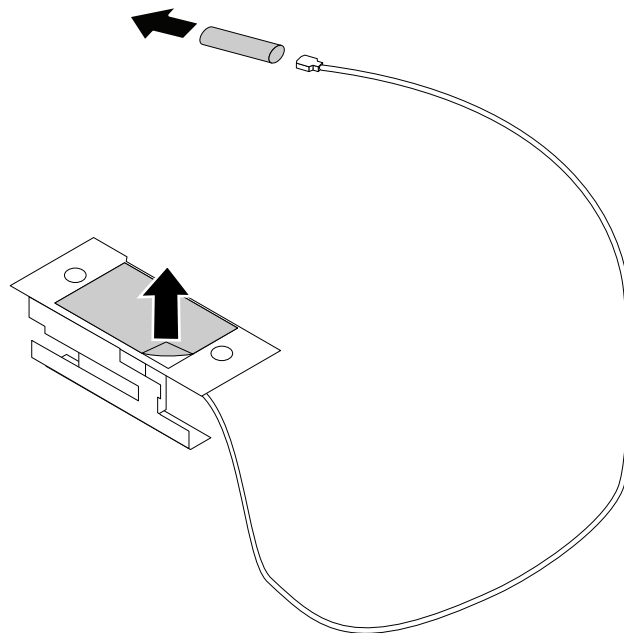
1. Prepare your computer. See “Preparing your computer” on page 92.
2. Locate the front Wi-Fi antenna. See “Major FRUs and CRUs” on page 34.
3. Remove the Wi-Fi card shield and disconnect the front-antenna cable from the Wi-Fi card. See Wi-Fi card.
4. Pivot the drive bay assembly inward until it snaps into position. See “Completing the parts replacement” on page 155.

5. Remove the front antenna and cable from the chassis.



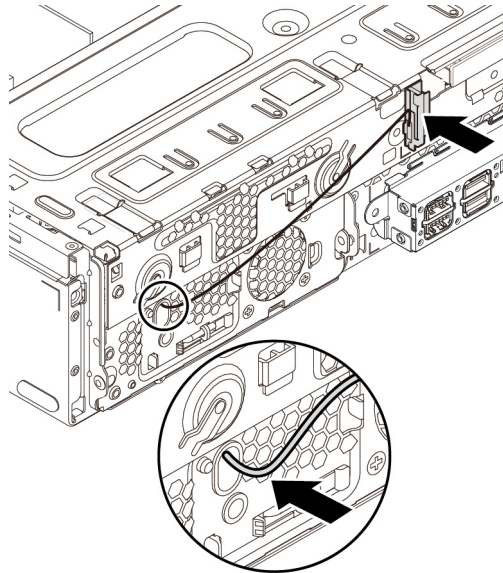
*Figure 100. Removing the front Wi-Fi antenna*

6. To install the new front Wi-Fi antenna, do the following:
  - a. Peel off the paper that protects the sticker on the new front antenna. Remove the plastic cover from the front-antenna cable connector.



*Figure 101. Peeling off the paper that protects the sticker and removing the plastic cover*

- b. Stick the front antenna to the front panel as shown. Then, insert the front-antenna cable into the hole in the front panel.



*Figure 102. Installing the front Wi-Fi antenna*

- c. Press the release tab and pivot the drive bay assembly to open it. See “Preparing your computer” on page 92.
- d. Connect the front-antenna cable to the Wi-Fi card and install the Wi-Fi card shield. See Wi-Fi card.

**What to do next:**

- To work with another piece of hardware, go to the appropriate section.
- To complete the installation or replacement, go to “Completing the parts replacement” on page 155.

**Rear Wi-Fi antenna**

To remove or install the rear Wi-Fi antenna, do the following:

1. Prepare your computer. See “Preparing your computer” on page 92.
2. To remove the rear Wi-Fi antenna, do the following:
  - a. Locate the rear Wi-Fi antenna. See “Major FRUs and CRUs” on page 34.
  - b. Straighten the rear Wi-Fi antenna so that it can be more easily twisted.

- c. Hold the thicker end of the rear Wi-Fi antenna and unscrew the Wi-Fi antenna from the rear of the computer.

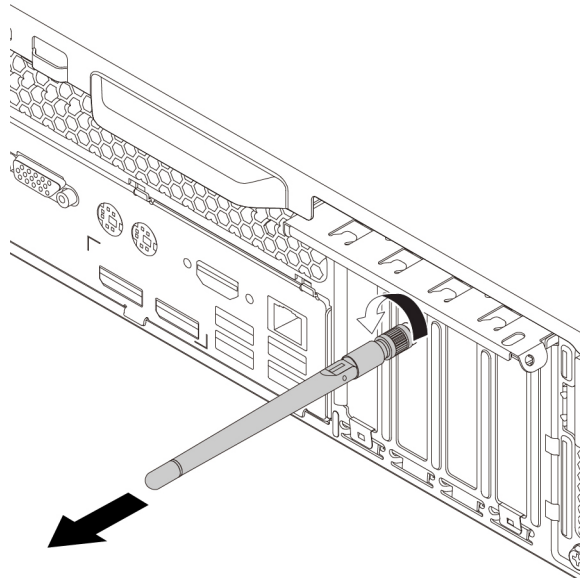


Figure 103. Removing the rear Wi-Fi antenna

3. To install the rear Wi-Fi antenna, do the following:
  - a. Install the new rear Wi-Fi antenna to the rear-antenna cable connector attached on the rear of the computer.
  - b. Adjust the angle of the rear Wi-Fi antenna to avoid the risk of breaking the antenna by accident.

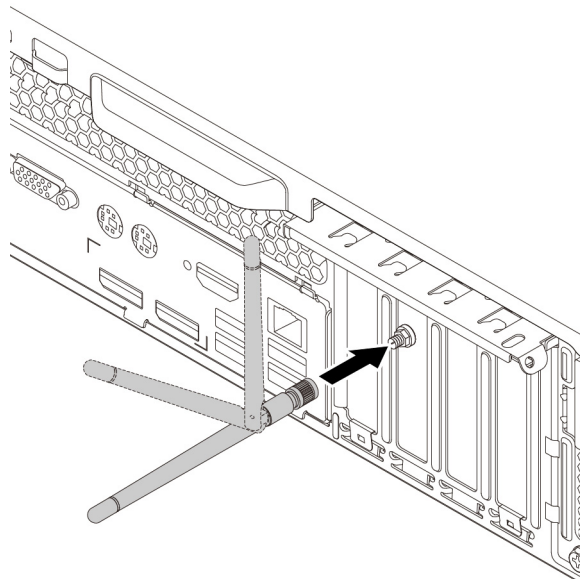


Figure 104. Installing the rear Wi-Fi antenna

**What to do next:**

- To work with another piece of hardware, go to the appropriate section.
- To complete the installation or replacement, go to “Completing the parts replacement” on page 155.

## Heat-sink-and-fan assembly

**Attention:** Do not open your computer or attempt any repair before reading and understanding the Chapter 1 “Read this first: Important safety information” on page 1.

**CAUTION:**



**Avoid contact with hot components inside the computer. During operation, some components become hot enough to burn the skin. Before you open the computer cover, turn off the computer, disconnect power, and wait approximately 10 minutes for the components to cool.**

To remove or install the heat-sink-and-fan assembly, do the following:

1. Prepare your computer. See “Preparing your computer” on page 92.
2. Locate the heat-sink-and-fan assembly. See “Major FRUs and CRUs” on page 34.
3. To remove the heat-sink-and-fan assembly, do the following:
  - a. Disconnect the heat-sink-and-fan assembly cable from the microprocessor fan connector on the system board. See “Parts on the system board” on page 37.
  - b. Follow the following sequence to loosen the four screws that secure the heat-sink-and-fan assembly to the system board:
    - Partially loosen screw **1**, fully remove screw **2**, and then fully loosen screw **1**.
    - Partially loosen screw **3**, fully remove screw **4**, and then fully loosen screw **3**.

**Note:** Carefully loosen the four screws to avoid any possible damage to the system board. The four screws cannot be removed from the heat-sink-and-fan assembly.

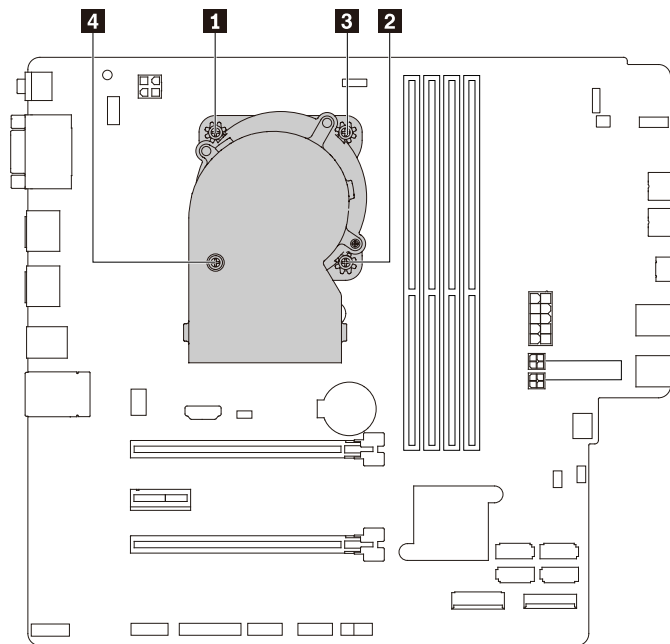


Figure 105. Removing the heat-sink-and-fan assembly

- c. Lift the failing heat-sink-and-fan assembly off the system board.

**Notes:**

- You might have to gently twist the heat-sink-and-fan assembly to free it from the microprocessor.

- Do not touch the thermal grease while handling the heat-sink-and-fan assembly.
4. To install the new heat-sink-and-fan assembly, do the following:
    - a. Apply appropriate amount of thermal grease to the new heat-sink-and-fan assembly.
    - b. Position the heat-sink-and-fan assembly on the system board. Ensure that the four screws are aligned with the holes in the system board.

**Note:** Ensure that the heat-sink-and-fan assembly cable is toward the microprocessor fan connector on the system board.

- c. Follow the following sequence to tighten the four screws to secure the new heat-sink-and-fan assembly. Do not over-tighten the screws.
  - Partially tighten screw **1**, fully tighten screw **2**, and then fully tighten screw **1**.
  - Partially tighten screw **3**, fully tighten screw **4**, and then fully tighten screw **3**.
- d. Connect the heat-sink-and-fan assembly cable to the microprocessor fan connector on the system board. See “Parts on the system board” on page 37.

#### What to do next:

- To work with another piece of hardware, go to the appropriate section.
- To complete the installation or replacement, go to “Completing the parts replacement” on page 155.

## Microprocessor

**Attention:** Do not open your computer or attempt any repair before reading and understanding the Chapter 1 “Read this first: Important safety information” on page 1.

#### CAUTION:



**The heat-sink-and-fan assembly and microprocessor might be very hot. Before you open the computer cover, turn off the computer and wait several minutes until the computer is cool.**

To remove or install the microprocessor, do the following:

1. Prepare your computer. See “Preparing your computer” on page 92.
2. Locate the microprocessor. See “Parts on the system board” on page 37.
3. Remove the heat sink and fan assembly. See “Heat-sink-and-fan assembly” on page 149.

**Note:** Place the heat-sink-and-fan assembly on its side so that the thermal grease on the bottom does not contact with anything.

4. Lift the small handle **1** and open the retainer **2** to access the microprocessor **3**.

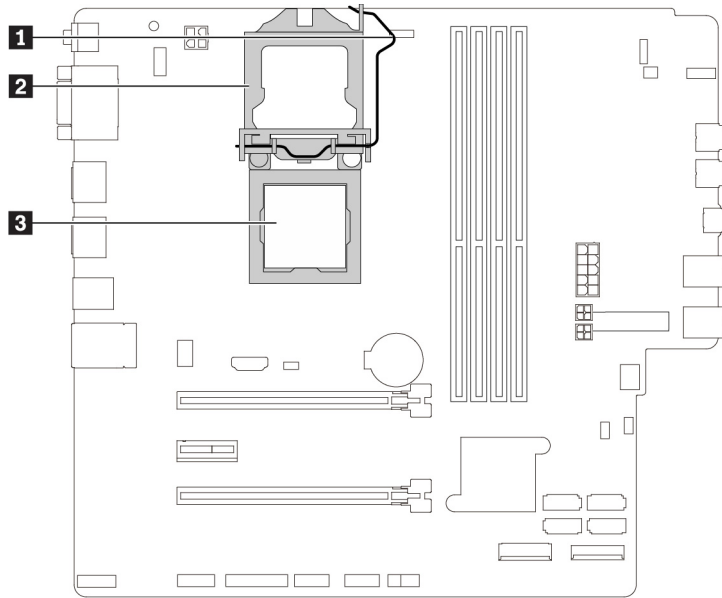


Figure 106. Accessing the microprocessor

5. Lift the microprocessor straight up and out of the microprocessor socket.

**Notes:**

- Your microprocessor and socket might look different from the one illustrated.
- Touch only the edges of the microprocessor. Do not touch the gold contacts on the bottom.
- Do not drop anything onto the microprocessor socket while it is exposed. The socket pins must be kept as clean as possible.

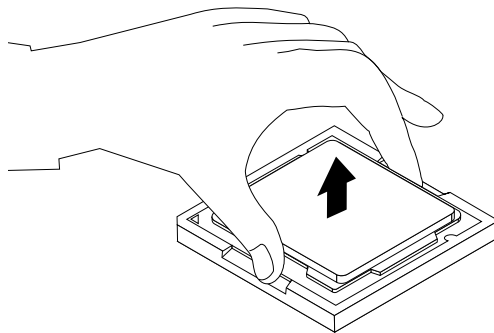


Figure 107. Removing the microprocessor

6. Ensure that the small handle is in the raised position and the microprocessor retainer is fully open.
7. Remove the protective cover that protects the gold contacts of the new microprocessor.

- Note the orientation of the new microprocessor. Hold the new microprocessor by its edges and align the notches **1** on it with the tabs **2** in the microprocessor socket. Then, carefully lower the new microprocessor straight down into the microprocessor socket.

**Note:** The small triangle **3** on one corner of the new microprocessor is the microprocessor orientation indicator. The new microprocessor is in the correct orientation when this indicator points to the beveled corner **4** of the microprocessor socket.

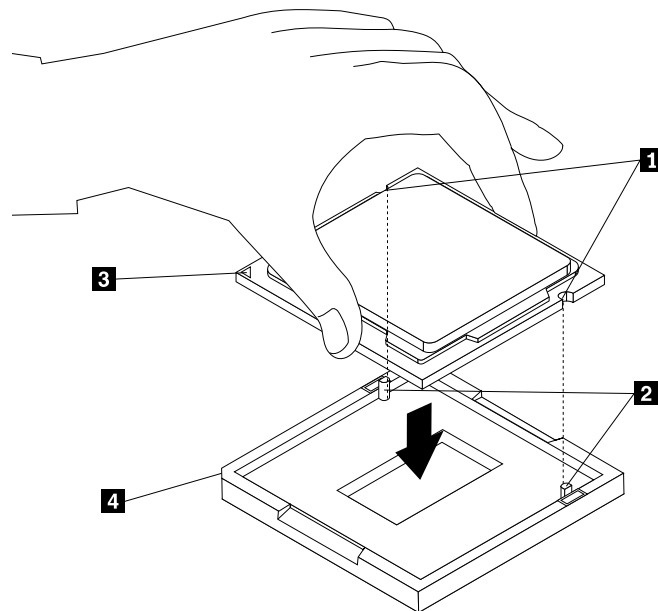


Figure 108. Installing the microprocessor

- Close the microprocessor retainer and lock it into position with the small handle. Ensure that the new microprocessor is securely seated in the socket.
- Reinstall the heat-sink-and-fan assembly. See “Heat-sink-and-fan assembly” on page 149.
- Reconnect any cables that were disconnected from the system board.

#### What to do next:

- To work with another piece of hardware, go to the appropriate section.
- To complete the installation or replacement, go to “Completing the parts replacement” on page 155.

## System board

**Attention:** Do not open your computer or attempt any repair before reading and understanding the Chapter 1 “Read this first: Important safety information” on page 1.

#### CAUTION:



**The heat-sink-and-fan assembly and microprocessor might be very hot. Before you open the computer cover, turn off the computer and wait several minutes until the computer is cool.**

To replace the system board, do the following:

- Prepare your computer. See “Preparing your computer” on page 92.
- To get access to the system board, remove the following parts if any:



- a. “PCIe card” on page 94.
  - b. “Memory module” on page 103.
  - c. “M.2 solid-state drive” on page 96.
  - d. “Wi-Fi card” on page 141.
  - e. “Front audio and USB assembly” on page 133.
  - f. “Heat-sink-and-fan assembly” on page 149.
3. Record the cable routing and cable connections, and then disconnect all cables from the system board. See “Parts on the system board” on page 37.
  4. Remove the nine screws that secure the system board in the sequence as shown in the following illustration.

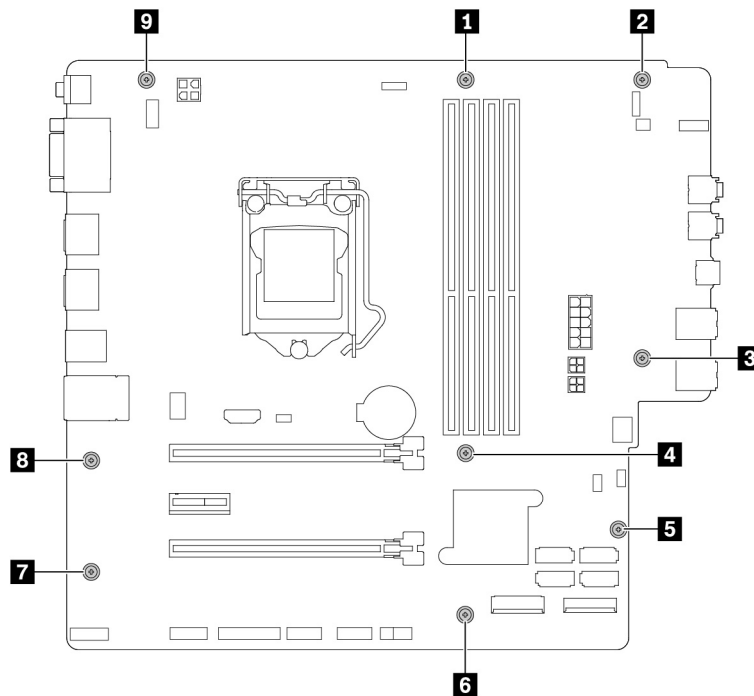


Figure 109. Removing the nine screws that secure the system board

5. Slide the system board to the front of the computer, and then carefully lift the system board out of the chassis.

**Note:** Carefully handle the system board by its edges.

6. Remove the microprocessor from the failing system board, and then install it onto the new system board. See “Microprocessor” on page 150.
7. Install the new system board into the chassis by aligning the nine screw holes in the new system board with the corresponding mounting studs on the chassis. Then, install the nine screws in the sequence as shown to secure the new system board.

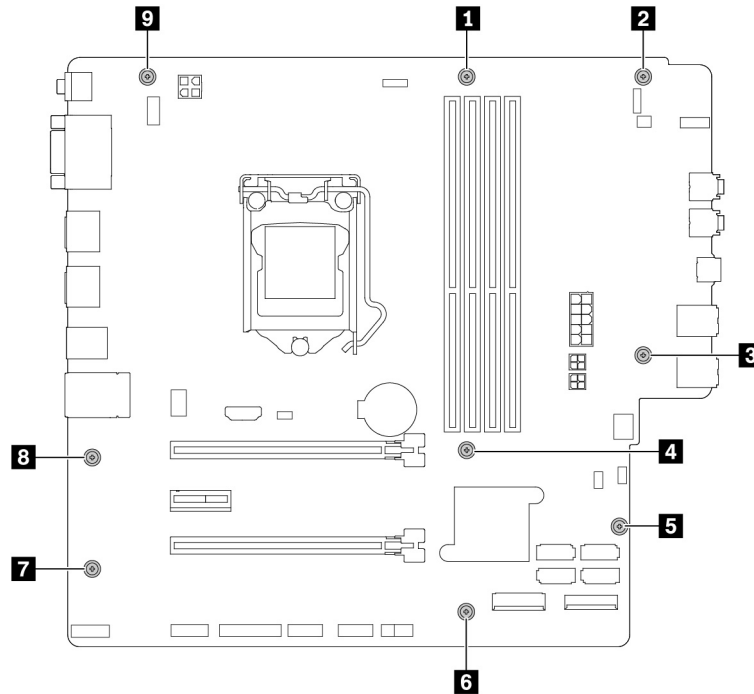


Figure 110. Installing the nine screws to secure the system board

8. Reinstall all parts that you have removed one by one in the reversed sequence as you remove them. Refer to the information that you have noted down and the related topics in Chapter 9 “Hardware removal and installation” on page 91.
9. Connect all cables to the new system board. See “Parts on the system board” on page 37.
10. Connect the external cables and the power cord to the computer.

The failing system board must be returned with a microprocessor socket cover to protect the pins during shipping and handling. Install the microprocessor socket cover removed from the new system board on the failing system board.

To install the microprocessor socket cover, do the following:

1. After you have removed the microprocessor from the failing system board, close the microprocessor retainer. Then, put the lever to the locked position to secure the retainer in place.
2. Note the orientation of the socket cover, and install one side of the socket cover into the microprocessor socket. Carefully press the other side of the socket cover downward until the socket cover snaps into position.

**Note:** Your microprocessor socket and cover might look slightly different from the illustration.

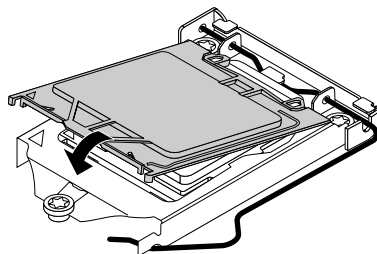


Figure 111. Installing the microprocessor socket cover

3. Carefully check the four corners of the socket cover to ensure that the cover is seated securely.
4. Follow any additional instructions that are included with the replacement part you received.

---

## Completing the parts replacement

### CAUTION:

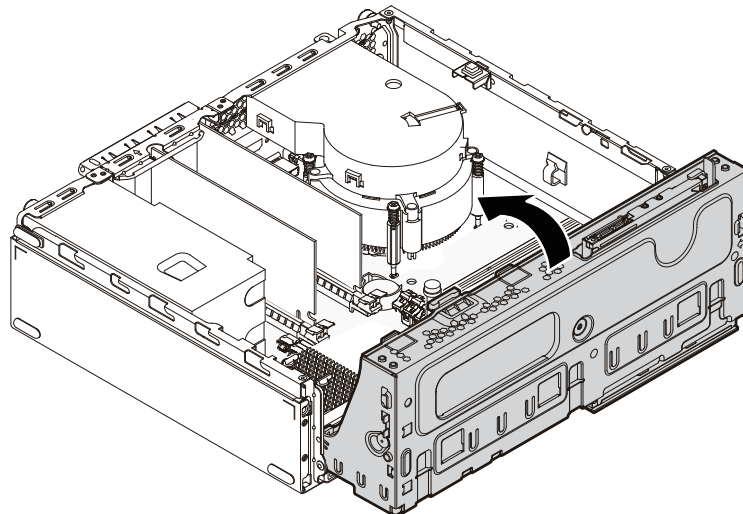


**After replacing a CRU, reinstall all protective covers, including the computer cover, before connecting power and operating the computer. This action is important to help prevent unexpected electrical shock and help ensure the containment of an unexpected fire that could happen under extremely rare conditions.**

After completing the installation or replacement for all parts, reinstall the computer cover and reconnect cables. Depending on the parts you installed or replaced, you might need to confirm the updated information in the Setup Utility program. Refer to “Using the Setup Utility program” on page 61.

To reinstall the computer cover and reconnect cables to your computer, do the following:

1. Ensure that all components have been reassembled correctly and that no tools or loose screws are left inside your computer. See “Computer components” on page 33 for the locations of various components in your computer.
2. Ensure that the cables are routed correctly. Keep cables clear of the hinges and sides of the computer chassis to avoid interference with the following installation.
3. Pivot the drive bay assembly inward until it snaps into position.



*Figure 112. Pivoting the drive bay assembly inward*

4. Align the three plastic tabs on the front bezel with the corresponding holes in the chassis. Then pivot the front bezel inward until it snaps into position on the top.

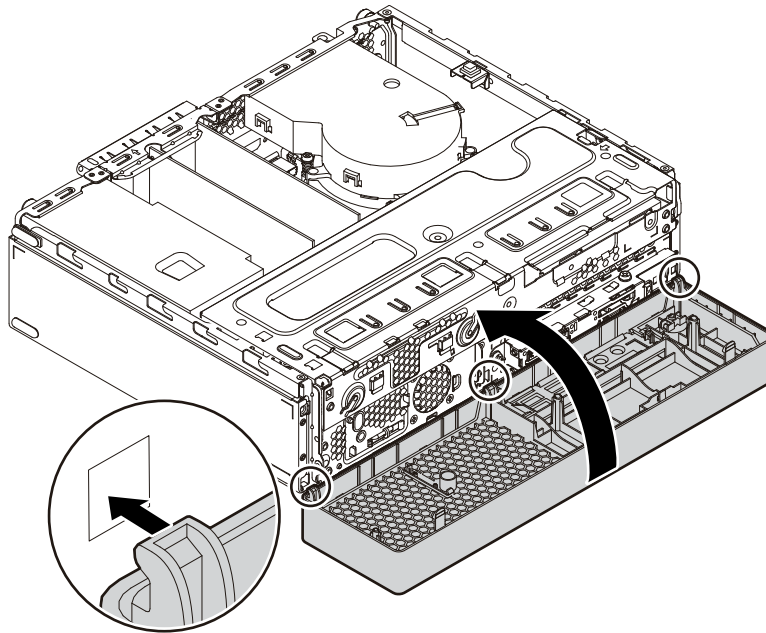


Figure 113. Reinstalling the front bezel

5. Position the computer cover on the chassis so that the rail guides on the bottom of the computer cover engage the rails on the chassis. Then, push the cover to the front of the computer until it snaps into position. Install the screws to secure the computer cover.

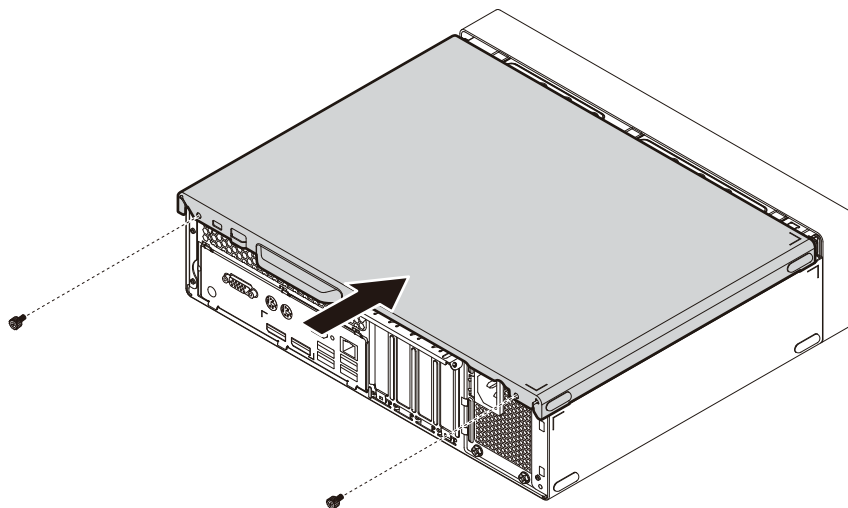


Figure 114. Reinstalling the computer cover

6. Place the computer in an upright position.
7. If a locking device is available, lock the computer cover. See “Locking your computer” on page 55.
8. Reconnect the external cables and power cords to the corresponding connectors on the computer. See “Hardware locations” on page 29.
9. Update the configuration of your computer. See “Using the Setup Utility program” on page 61.

10. If a newly installed hardware component does not work correctly, update the device driver. See “Keeping your computer current” on page 54.



---

## Chapter 10. Getting information, help, and service

This chapter provides information about getting help and support from Lenovo.

---

### Information resources

You can use the information in this section to access useful resources relating to your computing needs.

### Accessing the user guide in various languages

To access the user guide in various languages, go to:

<https://support.lenovo.com>

### Windows help system

The Windows help system provides you with detailed information about using the Windows operating system.

**Note:** Using the help for Windows 10 requires an active Internet connection.

To access the Windows help system, do the following:

1. Click the Start button to open the Start menu.
2. Click **Get Help**.

### Safety and warranty

The *Safety, Warranty, and Setup Guide* provided with your computer contains important safety information, product warranty terms, initial setup procedure, and legal notices. Ensure that you read and understand all safety information in the *Safety, Warranty, and Setup Guide* before using your computer.

In addition, read and understand Chapter 1 “Read this first: Important safety information” on page 1 before using your computer. This preface provides additional safety information that applies to topics and tasks described in this *User Guide*.

### Lenovo Web site

The Lenovo Web site (<https://www.lenovo.com>) provides up-to-date information and services to help you buy, upgrade, and maintain your computer. You also can do the following:

- Shop for desktop and notebook computers, monitors, projectors, upgrades, and accessories for your computer, and special offers.
- Purchase additional services, such as support for hardware, operating systems, programs, network setup and configuration, and custom installations.
- Purchase upgrades and extended hardware repair services.
- Access troubleshooting and support information for your computer model and other supported products.
- Find a Service Provider located near you.

### Lenovo Support Web site

Technical support information is available on the Lenovo Support Web site at:

<https://support.lenovo.com>

This Web site is updated with the latest support information such as the following:

- Drivers and software
- Diagnostic solutions
- Product and service warranty
- Product and parts details
- User guides and manuals
- Knowledge base and frequently asked questions
- Lenovo Support phone numbers

---

## Help and service

This section provides information about obtaining help and service.

### Calling for service

During the warranty period, you can get help and information by telephone through the Customer Support Center. For the warranty period of your computer, go to <https://www.lenovo.com/warranty-status>. For a list of Lenovo Support phone numbers, go to <https://pcsupport.lenovo.com/supportphonenumberlist>.

**Note:** Phone numbers are subject to change without notice. If the number for your country or region is not provided, contact your Lenovo reseller or Lenovo marketing representative.

The following services are available during the warranty period:

- **Problem determination** - Trained service personnel are available to assist you with determining a hardware problem and deciding what action is necessary to fix the problem.
- **Hardware repair** - If the problem is caused by hardware under warranty, trained service personnel are available to provide the applicable level of service.
- **Engineering Change management** - There might be changes that are required after a product has been sold. Lenovo or your reseller will make selected Engineering Changes (ECs) that apply to your hardware available.

These items are not covered by the warranty:

- Replacement or use of parts not manufactured for or by Lenovo or non-warranted Lenovo parts
- Identification of software problem sources
- Configuration of BIOS as part of an installation or upgrade
- Changes, modifications, or upgrades to device drivers
- Installation and maintenance of network operating systems (NOS)
- Installation and maintenance of programs

If possible, be at your computer when you call. Have the following information available:

- Machine type and model
- Serial numbers of your hardware products
- Description of the problem
- Exact wording of any error messages
- Hardware and software configuration information

### Using other services

You might travel with your computer or relocate it to a country or region where the machine type for your desktop or notebook computer is sold. In such a situation, your computer might be eligible for International



Warranty Service, which automatically entitles you to obtain warranty service throughout the warranty period. Service will be performed by service providers authorized to perform warranty service.

Service methods and procedures vary by country, and some services might not be available in all countries. International Warranty Service is delivered through the method of service (such as depot, carry-in, or on-site service) that is provided in the servicing country. Service centers in certain countries might not be able to service all models of a particular machine type. In some countries, fees and restrictions might apply at the time of service.

To determine whether your computer is eligible for International Warranty Service and to view a list of the countries or regions where service is available, go to <https://support.lenovo.com>.

For technical assistance with the installation of or questions related to Service Packs for your preinstalled Microsoft Windows product, go to <https://support.microsoft.com>. You also can contact the Lenovo Customer Support Center for help. Some fees might apply.

## **Purchasing additional services**

During and after the warranty period, you can purchase additional services. Examples of these additional services include:

- Support for hardware, operating systems, and programs
- Network setup and configuration services
- Upgraded or extended hardware repair services
- Custom installation services

Service availability and service name might vary by country or region. For more information about these services, go to the Lenovo Web site at:  
<https://www.lenovo.com>



---

## Appendix A. System memory speed

The Intel Xeon® microprocessor families compatible with this ThinkStation computer feature an integrated memory controller. The memory controller provides the microprocessor with direct access to the system memory. Therefore, the system memory speed will be determined by the memory module type, frequency, size (capacity), the number of memory modules installed, and the microprocessor model.

### Notes:

- The actual system memory speed of the memory modules varies depending on the microprocessor model. For example, your computer comes with 2666 MT/s memory modules, but the microprocessor only supports up to 2400 MT/s memory modules. Then the system memory speed will be no faster than 2400 MT/s.
- The microprocessor models supported in your computer might vary. For a list of supported microprocessor models, contact the Lenovo Customer Support Center.
- The ECC memory modules are not supported on the computer models with Intel Core i5 or i7 microprocessors.

Refer to the following information about the system memory speed:

- **Memory module types:**
  - DDR4 ECC UDIMMs
  - DDR4 non-ECC UDIMMs
- **Memory module operating voltage:** 1.2 V
- **Memory module frequency:** 2666 MT/s
- **Microprocessor models:**
  - Intel Xeon: E-2176G, E-2174G, E-2146G, E-2144G, E-2136, E-2134, E-2126G, E-2124G, E-2124, and E-2104G
  - Intel Core: i7-8700, i5-8600, i5-8500, i5-8400, i3-8300, and i3-8100
  - Intel Pentium: G5400



---

## Appendix B. Supplemental information about the Ubuntu operating system

In limited countries or regions, Lenovo offers customers an option to order computers with the preinstalled Ubuntu® operating system.

If the Ubuntu operating system is available on your computer, read the following information before you use the computer. Ignore any information related to Windows-based programs, utilities, and Lenovo preinstalled applications in this documentation.

### Accessing the Lenovo Limited Warranty

This product is covered by the terms of the Lenovo Limited Warranty (LLW), version L505-0010-02 08/2011. You can view the LLW in a number of languages from the following Web site. Read the Lenovo Limited Warranty at:

[https://www.lenovo.com/warranty/llw\\_02](https://www.lenovo.com/warranty/llw_02)

The LLW also is preinstalled on the computer. To access the LLW, go to the following directory:

```
/usr/share/doc/lenovo-doc
```

If you cannot view the LLW either from the Web site or from your computer, contact your local Lenovo office or reseller to obtain a printed version of the LLW.

### Accessing the Ubuntu help system

The Ubuntu help system provides information about how to use the Ubuntu operating system. To access the help system from the Unity, move your pointer to the Launch bar, and then click the **Help** icon. If you cannot find the **Help** icon from the Launch bar, click the **Search** icon, and type Help to search it.

To learn more about the Ubuntu operating system, go to:

<https://www.ubuntu.com>

### Getting support information

If you need help, service, technical assistance, or more information about the Ubuntu operating system or other applications, contact the provider of the Ubuntu operating system or the provider of the application. If you need the service and support for hardware components shipped with your computer, contact Lenovo. For more information about how to contact Lenovo, refer to the *User Guide and Safety, Warranty, and Setup Guide*.

To access the latest *User Guide and Safety, Warranty, and Setup Guide*, go to:

<https://support.lenovo.com>

**Note:** For information about configuring RAID in the Linux® environment, contact your Linux software provider.



---

## Appendix C. Regulatory information of countries and regions

The latest compliance information is available at:  
<https://www.lenovo.com/compliance>

---

### Export classification notice

This product is subject to the United States Export Administration Regulations (EAR) and has an Export Classification Control Number (ECCN) of 5A992.c. It can be re-exported except to any of the embargoed countries in the EAR E1 country list.

---

### Electronic emissions notices

#### Federal Communications Commission Declaration of Conformity

The following information refers to Lenovo personal computer machine types 30D1, 30D2, and 30D4.

This equipment has been tested and found to comply with the limits for a Class B digital device, pursuant to Part 15 of the FCC Rules. These limits are designed to provide reasonable protection against harmful interference in a residential installation. This equipment generates, uses, and can radiate radio frequency energy and, if not installed and used in accordance with the instructions, may cause harmful interference to radio communications. However, there is no guarantee that interference will not occur in a particular installation. If this equipment does cause harmful interference to radio or television reception, which can be determined by turning the equipment off and on, the user is encouraged to try to correct the interference by one or more of the following measures:

- Reorient or relocate the receiving antenna.
- Increase the separation between the equipment and receiver.
- Connect the equipment into an outlet on a circuit different from that to which the receiver is connected.
- Consult an authorized dealer or service representative for help.

Lenovo is not responsible for any radio or television interference caused by using other than recommended cables and connectors or by unauthorized changes or modifications to this equipment. Unauthorized changes or modifications could void the user's authority to operate the equipment.

This device complies with Part 15 of the FCC Rules. Operation is subject to the following two conditions: (1) this device may not cause harmful interference, and (2) this device must accept any interference received, including interference that may cause undesired operation.

Responsible Party:  
Lenovo (United States) Incorporated  
7001 Development Drive  
Morrisville, NC 27560  
Email: [FCC@lenovo.com](mailto:FCC@lenovo.com)



#### Industry Canada compliance statement

CAN ICES-3(B)/NMB-3(B)

## European Union conformity

EU Contact: Lenovo (Slovakia), Landererova 12, 811 09 Bratislava, Slovakia



**EMC Directive Statement:** This product is in conformity with the protection requirements of EU Council Directive 2014/30/EU on the approximation of the laws of the Member States relating to electromagnetic compatibility.

This product has been tested and found to comply with the limits for Class B equipment according to European Standards harmonized in the Directives in compliance. The Class B requirements for equipment are intended to offer adequate protection to broadcast services within residential environments.

**Radio Equipment Directive Statement:** This product is in conformity with all the requirements and essential norms that apply to EU Council Radio Equipment Directive 2014/53/EU on the approximation of the laws of the Member States relating to radio equipment. The full text of the system EU declaration of conformity and the EU wireless module declarations are available at the following Internet addresses: <https://www.lenovo.com/eu-doc-workstations>

Lenovo cannot accept responsibility for any failure to satisfy the protection requirements resulting from a non-recommended modification of the product, including the installation of option cards from other manufacturers.

## German Class B compliance statement

*Hinweis zur Einhaltung der Klasse B zur elektromagnetischen Verträglichkeit*

Dieses Produkt entspricht den Schutzanforderungen der EU-Richtlinie zur elektromagnetischen Verträglichkeit Angleichung der Rechtsvorschriften über die elektromagnetische Verträglichkeit in den EU-Mitgliedsstaaten und hält die Grenzwerte der Klasse B der Norm gemäß Richtlinie.

Um dieses sicherzustellen, sind die Geräte wie in den Handbüchern beschrieben zu installieren und zu betreiben. Des Weiteren dürfen auch nur von der Lenovo empfohlene Kabel angeschlossen werden. Lenovo übernimmt keine Verantwortung für die Einhaltung der Schutzanforderungen, wenn das Produkt ohne Zustimmung der Lenovo verändert bzw. wenn Erweiterungskomponenten von Fremdherstellern ohne Empfehlung der Lenovo gesteckt/eingebaut werden.

Zulassungsbescheinigung laut dem Deutschen Gesetz über die elektromagnetische Verträglichkeit von Betriebsmitteln, EMVG vom 20. Juli 2007 (früher Gesetz über die elektromagnetische Verträglichkeit von Geräten), bzw. der EU Richtlinie 2014/30/EU, der EU Richtlinie 2014/53/EU Artikel 3.1b), für Geräte der Klasse B.

Dieses Gerät ist berechtigt, in Übereinstimmung mit dem Deutschen EMVG das EG-Konformitätszeichen - CE - zu führen. Verantwortlich für die Konformitätserklärung nach Paragraf 5 des EMVG ist die Lenovo (Deutschland) GmbH, Meitnerstr. 9, D-70563 Stuttgart.

## Korean wireless-radio compliance information

무선설비 전파 혼신 (사용주파수 2400 ~ 2483.5 , 5725 ~ 5825 무선제품해당)

해당 무선설비가 전파혼신 가능성이 있으므로 인명안전과 관련된 서비스는 할 수 없음



## SAR 정보

본 장치는 전파 노출에 대한 가이드라인을 충족합니다.

본 장치는 무선 송수신기입니다. 본 장치는 국제 가이드라인으로 권장되는 전파 노출에 대한 제한을 초과하지 않도록 설계되었습니다. 장치 액세서리 및 최신 부품을 사용할 경우 SAR 값이 달라질 수 있습니다. SAR 값은 국가 보고 및 테스트 요구 사항과 네트워크 대역에 따라 다를 수 있습니다. 본 장치는 사람의 신체에서 20mm 이상의 거리에서 사용할 수 있습니다.

## Japan VCCI Class B compliance statement

この装置は、クラスB機器です。この装置は、住宅環境で使用することを目的としていますが、この装置がラジオやテレビジョン受信機に近接して使用されると、受信障害を引き起こすことがあります。

取扱説明書に従って正しい取り扱いをして下さい。

VCCI-B

## Japan compliance statement for products which connect to the power mains with rated current less than or equal to 20 A per phase

日本の定格電流が 20A/相 以下の機器に対する高調波電流規制  
高調波電流規格 JIS C 61000-3-2 適合品

## Japan notice for ac power cord

The ac power cord shipped with your product can be used only for this specific product. Do not use the ac power cord for other devices.

本製品およびオプションに電源コード・セットが付属する場合は、それぞれ専用のものでありますので他の電気機器には使用しないでください。

## Lenovo product service information for Taiwan

委製商/進口商名稱: 荷蘭商聯想股份有限公司台灣分公司

進口商地址: 台北市中山區北安路780號7樓

進口商電話: 0800-000-702 (代表號)

## Keyboard and mouse compliance statement for Taiwan

本產品隨貨附已取得經濟部標準檢驗局認可之PS/2或USB的鍵盤與滑鼠一組

---

## Eurasian compliance mark



---

## Brazil audio notice

Ouvir sons com mais de 85 decibéis por longos períodos pode provocar danos ao sistema auditivo.

---

## Mexico wireless-radio compliance information

**Advertencia:** En Mexico la operación de este equipo está sujeta a las siguientes dos condiciones: (1) es posible que este equipo o dispositivo no cause interferencia perjudicial y (2) este equipo o dispositivo debe aceptar cualquier interferencia, incluyendo la que pueda causar su operación no deseada.

---

## **Additional regulatory information**

For additional regulatory information, refer to the *Regulatory Notice* shipped with your computer. Depending on the configuration of your computer and the country or region where the computer was purchased, you might have received additional printed regulatory notices. All regulatory notices are available on the Lenovo Support Web site in electronic format. To access electronic copies of the documentation, go to <https://support.lenovo.com>.

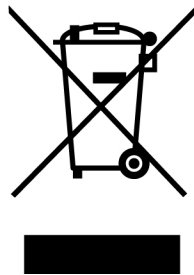
---

## Appendix D. WEEE and recycling information of countries and regions

Lenovo encourages owners of information technology (IT) equipment to responsibly recycle their equipment when it is no longer needed. Lenovo offers various programs and services to assist equipment owners in recycling their IT products. The latest environmental information is available at: <https://www.lenovo.com/ecodeclaration>

---

### Important WEEE information



The WEEE marking on Lenovo products applies to countries with WEEE and e-waste regulations (for example, the European WEEE Directive, India E-Waste Management Rules). Appliances are labeled in accordance with local regulations concerning waste electrical and electronic equipment (WEEE). These regulations determine the framework for the return and recycling of used appliances as applicable within each geography. This label is applied to various products to indicate that the product is not to be thrown away, but rather put in the established collection systems for reclaiming these end of life products.

Users of electrical and electronic equipment (EEE) with the WEEE marking must not dispose of end of life EEE as unsorted municipal waste, but use the collection framework available to them for the return, recycle, and recovery of WEEE and to minimize any potential effects of EEE on the environment and human health due to the presence of hazardous substances. Lenovo electrical and electronic equipment (EEE) may contain parts and components, which at end-of-life might qualify as hazardous waste.

EEE and waste electrical and electronic equipment (WEEE) can be delivered free of charge to the place of sale or any distributor that sells electrical and electronic equipment of the same nature and function as the used EEE or WEEE.

For additional WEEE information, go to: <https://www.lenovo.com/recycling>

#### WEEE information for Hungary

Lenovo, as a producer, bears the cost incurred in connection with the fulfillment of Lenovo's obligations under Hungary Law No. 197/2014 (VIII.1.) subsections (1)-(5) of section 12.

---

### Recycling information for Japan

#### Collecting and recycling a disused Lenovo computer or monitor

If you are a company employee and need to dispose of a Lenovo computer or monitor that is the property of the company, you must do so in accordance with the Law for Promotion of Effective Utilization of Resources. Computers and monitors are categorized as industrial waste and should be properly disposed of by an

industrial waste disposal contractor certified by a local government. In accordance with the Law for Promotion of Effective Utilization of Resources, Lenovo Japan provides, through its PC Collecting and Recycling Services, for the collecting, reuse, and recycling of disused computers and monitors. For details, visit the Lenovo Web site at <https://www.lenovo.com/recycling/japan>. Pursuant to the Law for Promotion of Effective Utilization of Resources, the collecting and recycling of home-used computers and monitors by the manufacturer was begun on October 1, 2003. This service is provided free of charge for home-used computers sold after October 1, 2003. For details, visit the Lenovo Web site at <https://www.lenovo.com/recycling/japan>.

### **Disposing of Lenovo computer components**

Some Lenovo computer products sold in Japan may have components that contain heavy metals or other environmental sensitive substances. To properly dispose of disused components, such as a printed circuit board or drive, use the methods described above for collecting and recycling a disused computer or monitor.

### **Disposing of disused lithium batteries from Lenovo computers**

A button-shaped lithium battery is installed inside your Lenovo computer to provide power to the computer clock while the computer is off or disconnected from the main power source. If you need to replace it with a new one, contact your place of purchase or contact Lenovo for service. If you need to dispose of a disused lithium battery, insulate it with vinyl tape, contact your place of purchase or an industrial-waste-disposal operator, and follow their instructions. Disposal of a lithium battery must comply with local ordinances and regulations.

---

## **Recycling information for Brazil**

*Declarações de Reciclagem no Brasil*

*Descarte de um Produto Lenovo Fora de Uso*

Equipamentos elétricos e eletrônicos não devem ser descartados em lixo comum, mas enviados à pontos de coleta, autorizados pelo fabricante do produto para que sejam encaminhados e processados por empresas especializadas no manuseio de resíduos industriais, devidamente certificadas pelos órgãos ambientais, de acordo com a legislação local.

A Lenovo possui um canal específico para auxiliá-lo no descarte desses produtos. Caso você possua um produto Lenovo em situação de descarte, ligue para o nosso SAC ou encaminhe um e-mail para: [reciclar@lenovo.com](mailto:reciclar@lenovo.com), informando o modelo, número de série e cidade, a fim de enviarmos as instruções para o correto descarte do seu produto Lenovo.

---

## **Battery recycling information for Taiwan**

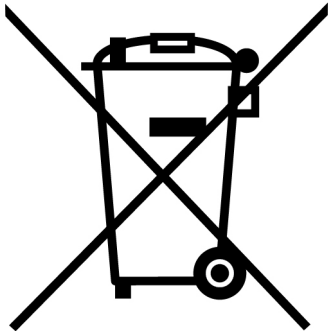


廢電池請回收

---

## Battery recycling information for the European Union

EU



**Notice:** This mark applies only to countries within the European Union (EU).

Batteries or packaging for batteries are labeled in accordance with European Directive 2006/66/EC concerning batteries and accumulators and waste batteries and accumulators. The Directive determines the framework for the return and recycling of used batteries and accumulators as applicable throughout the European Union. This label is applied to various batteries to indicate that the battery is not to be thrown away, but rather reclaimed upon end of life per this Directive.

In accordance with the European Directive 2006/66/EC, batteries and accumulators are labeled to indicate that they are to be collected separately and recycled at end of life. The label on the battery may also include a chemical symbol for the metal concerned in the battery (Pb for lead, Hg for mercury, and Cd for cadmium). Users of batteries and accumulators must not dispose of batteries and accumulators as unsorted municipal waste, but use the collection framework available to customers for the return, recycling, and treatment of batteries and accumulators. Customer participation is important to minimize any potential effects of batteries and accumulators on the environment and human health due to the potential presence of hazardous substances.

Before placing electrical and electronic equipment (EEE) in the waste collection stream or in waste collection facilities, the end user of equipment containing batteries and/or accumulators must remove those batteries and accumulators for separate collection.

### **Disposing of lithium batteries and battery packs from Lenovo products**

A coin-cell type lithium battery might be installed inside your Lenovo product. You can find details about the battery in the product documentation. If the battery needs to be replaced, contact your place of purchase or contact Lenovo for service. If you need to dispose of a lithium battery, insulate it with vinyl tape, contact your place of purchase or a waste-disposal operator, and follow their instructions.

### **Disposing of battery packs from Lenovo products**

Your Lenovo device might contain a lithium-ion battery pack or a nickel metal hydride battery pack. You can find details on the battery pack in the product documentation. If you need to dispose of a battery pack, insulate it with vinyl tape, contact Lenovo sales, service, or your place of purchase, or a waste-disposal operator, and follow their instructions. You also can refer to the instructions provided in the user guide for your product.

For proper collection and treatment, go to:

<https://www.lenovo.com/environment>



## Appendix E. Restriction of Hazardous Substances (RoHS) Directive of countries and regions

The latest environmental information is available at:

<https://www.lenovo.com/ecodeclaration>

### European Union RoHS

This Lenovo product, with included parts (cables, cords, and so on) meets the requirements of Directive 2011/65/EU on the restriction of the use of certain hazardous substances in electrical and electronic equipment (“RoHS recast” or “RoHS 2”).

For more information about Lenovo worldwide compliance on RoHS, go to:

<https://www.lenovo.com/rohs-communication>

### Mainland China RoHS

#### 产品中有害物质的名称及含量

部件名称	有害物质					
	铅(Pb)	汞(Hg)	镉(Cd)	六价铬(Cr(VI))	多溴连苯(PBB)	多溴二苯醚(PBDE)
印刷电路板组件*	X	O	O	O	O	O
硬盘	X	O	O	O	O	O
光驱	X	O	O	O	O	O
内存	X	O	O	O	O	O
电脑I/O 附件	X	O	O	O	O	O
电源	X	O	O	O	O	O
键盘	X	O	O	O	O	O
鼠标	X	O	O	O	O	O
机箱/附件	X	O	O	O	O	O
电池	X	O	O	O	O	O

本表格依据 SJ/T 11364 的规定编制。  
 O：表示该有害物质在该部件所有均质材料中的含量均在 GB/T 26572 规定的限量要求以下。  
 X：表示该有害物质至少在该部件的某一均质材料中的含量超出 GB/T 26572 规定的限量要求。  
 注：表中标记“X”的部件，皆因全球技术发展水平限制而无法实现有害物质的替代。  
 印刷电路板组件\*：包括印刷电路板及其零部件、电容和连接器  
 根据型号的不同，可能不会含有以上的所有部件，请以实际购买机型为准



在中华人民共和国境内销售的电子信息产品必须标识此标志，标志内的数字代表在正常使用状态下的产品的环保使用期限

### Turkish RoHS

The Lenovo product meets the requirements of the Republic of Turkey Directive on the Restriction of the Use of Certain Hazardous Substances in Waste Electrical and Electronic Equipment (WEEE).

## Türkiye AEEE Yönetmeliğine Uygunluk Beyanı

Bu Lenovo ürünü, T.C. Çevre ve Orman Bakanlığı'nın "Atık Elektrik ve Elektronik Eşyalarda Bazı Zararlı Maddelerin Kullanımının Sınırlandırılmasına Dair Yönetmelik (AEEE)" direktiflerine uygundur.

AEEE Yönetmeliğine Uygundur.

## Ukraine RoHS

Цим підтверджуємо, що продукція Леново відповідає вимогам нормативних актів України, які обмежують вміст небезпечних речовин

## India RoHS

RoHS compliant as per E-Waste (Management) Rules.

## Taiwan RoHS

單元	限用物質及其化學符號					
	鉛 (Pb)	汞 (Hg)	鎘 (Cd)	六價鉻 (Cr <sup>6+</sup> )	多溴聯苯 (PBB)	多溴二苯醚 (PBDE)
印刷電路板組件	—	○	○	○	○	○
硬碟	—	○	○	○	○	○
光碟機	—	○	○	○	○	○
記憶體	—	○	○	○	○	○
電腦I/O配件	—	○	○	○	○	○
電源供應器	—	○	○	○	○	○
鍵盤	—	○	○	○	○	○
滑鼠	—	○	○	○	○	○
機殼/配件	—	○	○	○	○	○

備考1. "超出0.1 wt%" 及 "超出0.01 wt%" 係指限用物質之百分比含量超出百分比含量基準值。  
備考2. "○" 係指該項限用物質之百分比含量未超出百分比含量基準值。  
備考3. "—" 係指該項限用物質為排除項目。



---

## Appendix F. ENERGY STAR model information



ENERGY STAR® is a joint program of the U.S. Environmental Protection Agency and the U.S. Department of Energy aimed at saving money and protecting the environment through energy efficient products and practices.

Lenovo is proud to offer our customers products with an ENERGY STAR compliant designation. Some models of the following machine types have been designed and tested to conform to the ENERGY STAR program requirement for computers at the time of manufacture: 30D1, 30D2, and 30D4. For more information about ENERGY STAR ratings for Lenovo computers, go to:

<https://www.lenovo.com>

By using ENERGY STAR compliant products and taking advantage of the power-management features of your computer, you reduce the consumption of electricity. Reduced electrical consumption contributes to potential financial savings, a cleaner environment, and the reduction of greenhouse gas emissions.

For more information about ENERGY STAR, go to:

<https://www.energystar.gov/>

Lenovo encourages you to make efficient use of energy an integral part of your day-to-day operations. To help in this endeavor, set the following power-management features to take effect when your computer has been inactive for a specified duration:

Table 2. ENERGY STAR power-management features

Windows 10 operating system
Power plan: Default <ul style="list-style-type: none"><li>• Turn off the display: After 10 minutes</li><li>• Put the computer to sleep: After 25 minutes</li><li>• Advanced power settings:<ul style="list-style-type: none"><li>– Turn off hard disk drives: After 20 minutes</li><li>– Hibernate: Never</li></ul></li></ul>

To awaken your computer from a Sleep mode, press any key on your keyboard.

To change power settings, do the following:

1. Click the Start button to open the Start menu.
2. Click **Windows System** → **Control Panel**.
3. View Control Panel by Large icons or Small icons, and then click **Power Options**.
4. Follow the instructions on the screen.



---

## Appendix G. Notices

Lenovo may not offer the products, services, or features discussed in this document in all countries. Consult your local Lenovo representative for information on the products and services currently available in your area. Any reference to a Lenovo product, program, or service is not intended to state or imply that only that Lenovo product, program, or service may be used. Any functionally equivalent product, program, or service that does not infringe any Lenovo intellectual property right may be used instead. However, it is the user's responsibility to evaluate and verify the operation of any other product, program, or service.

Lenovo may have patents or pending patent applications covering subject matter described in this document. The furnishing of this document does not give you any license to these patents. You can send license inquiries, in writing, to:

*Lenovo (United States), Inc.  
8001 Development Drive  
Morrisville, NC 27560  
U.S.A.  
Attention: Lenovo Director of Licensing*

LENOVO PROVIDES THIS PUBLICATION "AS IS" WITHOUT WARRANTY OF ANY KIND, EITHER EXPRESS OR IMPLIED, INCLUDING, BUT NOT LIMITED TO, THE IMPLIED WARRANTIES OF NON-INFRINGEMENT, MERCHANTABILITY OR FITNESS FOR A PARTICULAR PURPOSE. Some jurisdictions do not allow disclaimer of express or implied warranties in certain transactions, therefore, this statement may not apply to you.

This information could include technical inaccuracies or typographical errors. Changes are periodically made to the information herein; these changes will be incorporated in new editions of the publication. Lenovo may make improvements and/or changes in the products and/or the programs described in this publication at any time without notice.

The products described in this document are not intended for use in implantation or other life support applications where malfunction may result in injury or death to persons. The information contained in this document does not affect or change Lenovo product specifications or warranties. Nothing in this document shall operate as an express or implied license or indemnity under the intellectual property rights of Lenovo or third parties. All information contained in this document was obtained in specific environments and is presented as an illustration. The result obtained in other operating environments may vary.

Lenovo may use or distribute any of the information you supply in any way it believes appropriate without incurring any obligation to you.

Any references in this publication to non-Lenovo Web sites are provided for convenience only and do not in any manner serve as an endorsement of those Web sites. The materials at those Web sites are not part of the materials for this Lenovo product, and use of those Web sites is at your own risk.

Any performance data contained herein was determined in a controlled environment. Therefore, the result obtained in other operating environments may vary significantly. Some measurements may have been made on development-level systems and there is no guarantee that these measurements will be the same on generally available systems. Furthermore, some measurements may have been estimated through extrapolation. Actual results may vary. Users of this document should verify the applicable data for their specific environment.



---

## Appendix H. Trademarks

The following terms are trademarks of Lenovo in the United States, other countries, or both:

- Lenovo
- The Lenovo logo
- ThinkStation
- The ThinkStation logo

Microsoft, Windows, and Windows Media are trademarks of the Microsoft group of companies.

The terms HDMI and HDMI High-Definition Multimedia Interface are trademarks or registered trademarks of HDMI Licensing LLC in the United States and other countries.

Intel, Thunderbolt, and Xeon are trademarks of Intel Corporation in the U.S. and/or other countries.

Linux is a registered trademark of Linus Torvalds.

DisplayPort and Mini DisplayPort are trademarks of the Video Electronics Standards Association.

Ubuntu is a registered trademark of Canonical Ltd.

USB-C is a trademark of USB Implementers Forum.

Wi-Fi is a registered trademarks of Wi-Fi Alliance.

Other company, product, or service names may be trademarks or service marks of others.





**Lenovo**