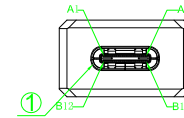
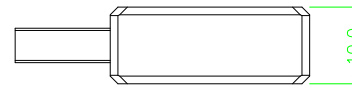
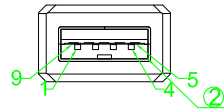
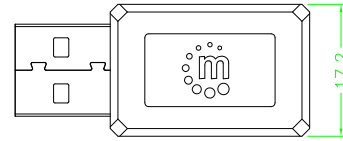
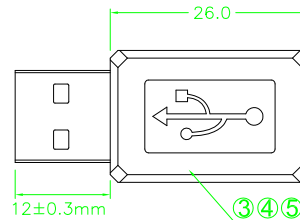


REV.	DESCRIPTION	ENG.	APPROVAL
A	Initial Release		



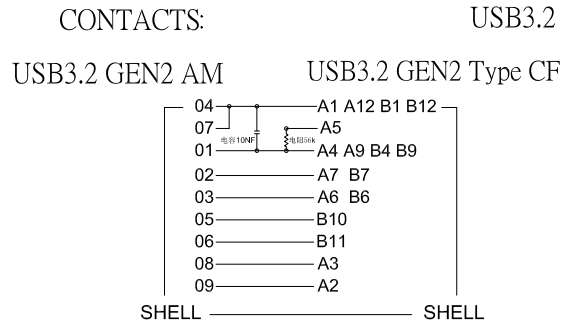
USB3.2 GEN2 Type CF



Black Molding Adapter
TOL:±0.3mm



通用拉鏈袋(0.08*91.5*152.5mm)+
MH條碼5*2CM



OPEN/SHORT TEST: 100% TEST.
INSULATION: 5M.
GEN2,10GB,3A

THESE DRAWINGS AND SPECIFICATIONS ARE THE PROPERTY OF INTRACOM Asia Co.,Ltd. AND SHALL NOT BE REPRODUCED COPIED OR USED IN ANY MANNER WITHOUT THE PRIOR WRITTEN CONSENT OF INTRACOM Asia Co.,Ltd.

UNLESS OTHERWISE SPECIFIED: DIMENSIONS ARE IN MILLIMETERS ANGULAR TOLERANCE: ±1°

		APPD		VID	100480		
		Check					
CUSTOMER:		Drawer		DRL	Date 2017.05.05		
		CUSTOMER P/N:		Unit	mm	Projection	⊕
DWG.NO: 354714		ICT P/N:		Scale	1:1	Size.	A4
		Sheet		1 of	REV.	A	

安達康股份有限公司
INTRACOM Asia Co.,LTD.

No.	Description	Q'ty
⑤	PCB	1PCS
④	PE	2.9g
③	45P PVC Black	1.2g
②	USB3.2 GEN2 AM (Blue Insulator,Nickel Plated) (PIN: Gold)	1PCS
①	USB3.2 GEN2 Type CF.(Black Insulator,Nickel Plated) (PIN: Gold Plated)	1PCS