

USER MANUAL

LPB1308A-R2

10/100/1000 RJ-45 PSE/ POE+ SWITCH

24/7 TECHNICAL SUPPORT AT 1.877.877.2269 OR VISIT BLACKBOX.COM

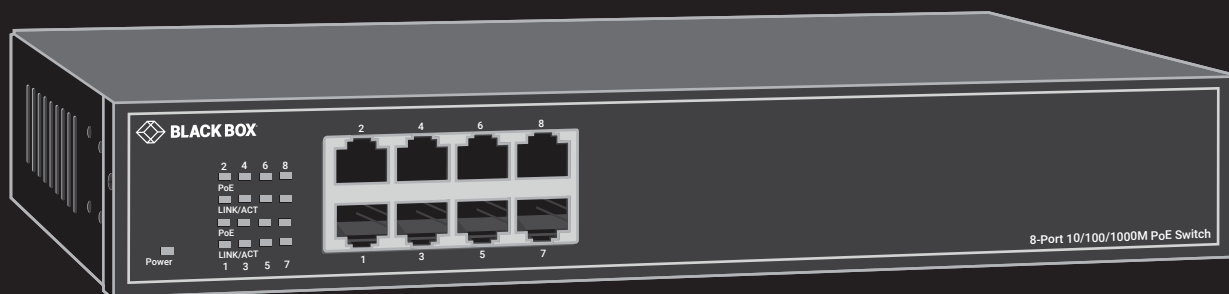


TABLE OF CONTENTS

1. SPECIFICATIONS.....	3
2. OVERVIEW.....	4
2.1 Introduction.....	4
2.2 Features	4
2.3 What's Included.....	4
2.4 Hardware Description	5
3. CONNECTIONS	7
3.1 Connect a Switch/Hub to the LPB1308A-R2 Switch.....	7
3.2 Connect a PC/Other Device to the LPB1308A-R2 Switch	7
APPENDIX A. REGULATORY INFORMATION	8
A.1 FCC Class A Statement	8
A.2 CE Notice.....	8
A.3 NOM Statement	9
APPENDIX B. DISCLAIMER/TRADEMARKS	10
B.1 Disclaimer	10
B.2 Trademarks Used in this Manual.....	10



TABLE 1-1. SPECIFICATIONS

SPECIFICATION	DESCRIPTION
Standards	IEEE 802.3 10BASE-T, IEEE 802.3u 100BASE-TX, IEEE 802.3ab 1000BASE-T, IEEE 802.3z, IEEE 802.3x Flow control, IEEE 802.3at PoE+
Connectors	(8) 10/100/1000BASE-TX RJ-45 PoE
MAC Addresses	8 K
Buffer Memory	4 Mbit
Method	Store and Forward
Filtering/Forwarding Rates	1000 Mbps port – 1,488,000 pps; 100 Mbps port – 148,800 pps; 10 Mbps – 14,880 pps
LED Indicators	Per Port: (1) PoE, (1) LINK/ACT; Per Unit: (1) Power
Power	100 to 240 VAC, 50 to 60 Hz
Power Budget	230 Watts (max.)
Operating Temperature	32 to 113° F (0 to 45° C)
Storage Temperature	-4 to 194° F (-20 to +90° C)
Relative Humidity	10 to 90% (non-condensing)
Dimensions	1.73" H x 6.29" W x 10.47" D (4.4 x 16.0 x 26.6 cm)
Weight	3.9 lb. (1.8 kg)
Certifications	EMC: EN 55032/24; EMI: CISPR 32, FCC Part 15B; Class A, VCCI Class A

CHAPTER 2: OVERVIEW

2.1 INTRODUCTION

The switch provides eight 10/100/1000 Mbps RJ-45 PoE ports. It was designed for easy installation and high performance in an environment where traffic on the network and the number of users increase continuously.

With a Gigabit chipset, the Gigabit Ethernet switch can fully support the highest speed in full duplex mode.

The switch provides power out to other devices. It is a Power Sourcing Equipment (PSE) device. Powered Devices (PDs) can accept power. PD devices connect to this switch and get their power from it. The switch itself always needs to be connected to a power outlet to work.

This switch is specifically designed for medium to large workgroups. It can be installed where space is limited; moreover it provides smooth network migration and easy upgrade to network capacity.

2.2 FEATURES

- Complies with the IEEE 802.3 Ethernet, IEEE 802.3u Fast Ethernet, and IEEE 802.3ab/z Gigabit Ethernet standards. • Provides eight 10/100/1000Mbps Gigabit switching ports.
- Supports maximum power of 30 Watts for each PSE/PoE port, with a total power budget of 230 Watts.
- Non-blocking and non-head-of-line blocking full wire-speed forwarding.
- Store-and-forward operation support.
- Provides 8K MAC address.
- Supports broadcast storm filtering.
- All ports support auto-negotiation and auto-MDI/MDI-X functions.
- Supports flow control: backpressure for half-duplex mode and IEEE 802.3x for full duplex mode.
- Smart plug and play.

2.3 WHAT'S INCLUDED

Your package should include the following items. If anything is missing or damaged, contact Black Box Technical Support at 877-877-2269 or info@blackbox.com

- (1) Ethernet Switch
- (1) AC Power Cord
- (1) package insert directing you to this user manual online



CHAPTER 2: OVERVIEW

2.4 HARDWARE DESCRIPTION

Figure 2-1 shows the front panel of the switch. Figure 2-2 shows its back panel. Table 2-1 describes the switch's components.



FIGURE 2-1. FRONT PANEL OF THE LPB1308A-R2 SWITCH



FIGURE 2-2. BACK PANEL OF THE LPB1308A-R2 SWITCH

CHAPTER 2: OVERVIEW

TABLE 2-1. COMPONENTS ON THE LPB1308A-R2 SWITCH

NUMBER IN FIGURE 2-1 OR 2-2	COMPONENT	DESCRIPTION
1	Power LED	ON: Power is ON; OFF: Power is OFF
2	(8) Link/Act LEDs	ON: Port is connected; OFF: No connection; Flashing: Data is transmitting or receiving
3	(8) PoE LEDs	ON: Port is linked to Powered Device (PD); OFF: No PD is connected
4	(8) RJ-45 PoE connectors	Connect to devices
5	(1) Power ON/OFF button	Turns power ON/OFF
6	(1) 3-prong power connector	Links to 100 to 240 VAC, 50 to 60 Hz power



CHAPTER 3: CONNECTIONS

3.1 CONNECT A SWITCH/HUB TO THE LPB1308A-R2 SWITCH

This switch provides automatic crossover detection functionality for any port. It is simple to uplink to another switch without using a crossover cable.

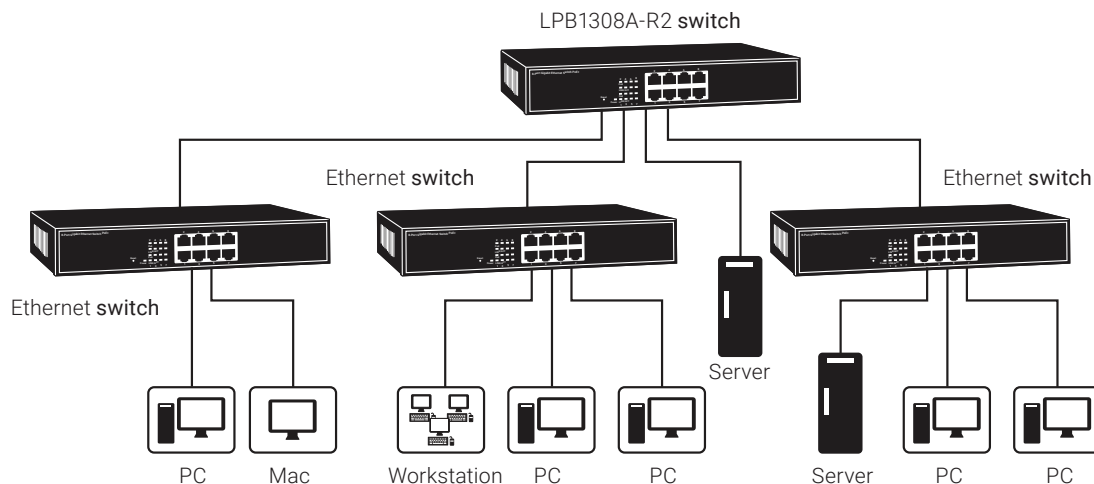


FIGURE 3-1. SWITCH/HUB CONNECTED TO THE LPB1308A-R2 SWITCH

3.2 CONNECT A PC/OTHER DEVICE TO THE LPB1308A-R2 SWITCH

Via a straight-through twisted-pair cable, you can connect the switch to PCs, servers, and other network devices.

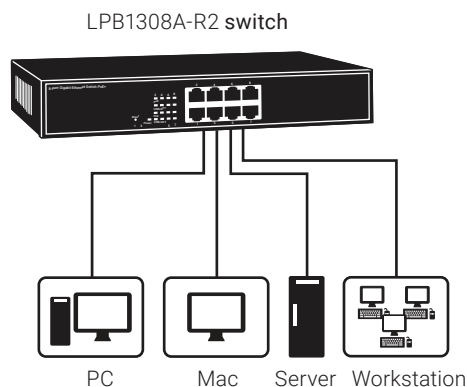


FIGURE 3-2. PC/OTHER DEVICE CONNECTED TO THE LPB1308A-R2 SWITCH

APPENDIX A: REGULATORY INFORMATION

A.1 FCC CLASS A STATEMENT

This equipment generates, uses, and can radiate radio-frequency energy, and if not installed and used properly, that is, in strict accordance with the manufacturer's instructions, may cause interference to radio communication. It has been tested and found to comply with the limits for a Class A computing device in accordance with the specifications in Subpart B of Part 15 of FCC rules, which are designed to provide reasonable protection against such interference when the equipment is operated in a commercial environment. Operation of this equipment in a residential area is likely to cause interference, in which case the user at his own expense will be required to take whatever measures may be necessary to correct the interference.

Changes or modifications not expressly approved by the party responsible for compliance could void the user's authority to operate the equipment.

This digital apparatus does not exceed the Class A limits for radio noise emission from digital apparatus set out in the Radio Interference Regulation of Industry Canada.

Le présent appareil numérique n'émet pas de bruits radioélectriques dépassant les limites applicables aux appareils numériques de la classe A prescrites dans le Règlement sur le brouillage radioélectrique publié par Industrie Canada.

A.2 CE NOTICE

This product complies with CE certifications.



APPENDIX A: REGULATORY INFORMATION

A.3 NOM STATEMENT

1. Todas las instrucciones de seguridad y operación deberán ser leídas antes de que el aparato eléctrico sea operado.
2. Las instrucciones de seguridad y operación deberán ser guardadas para referencia futura.
3. Todas las advertencias en el aparato eléctrico y en sus instrucciones de operación deben ser respetadas.
4. Todas las instrucciones de operación y uso deben ser seguidas.
5. El aparato eléctrico no deberá ser usado cerca del agua—por ejemplo, cerca de la tina de baño, lavabo, sótano mojado o cerca de una alberca, etc.
6. El aparato eléctrico debe ser usado únicamente con carritos o pedestales que sean recomendados por el fabricante.
7. El aparato eléctrico debe ser montado a la pared o al techo sólo como sea recomendado por el fabricante.
8. Servicio—El usuario no debe intentar dar servicio al equipo eléctrico más allá a lo descrito en las instrucciones de operación. Todo otro servicio deberá ser referido a personal de servicio calificado.
9. El aparato eléctrico debe ser situado de tal manera que su posición no interfiera su uso. La colocación del aparato eléctrico sobre una cama, sofá, alfombra o superficie similar puede bloquea la ventilación, no se debe colocar en libreros o gabinetes que impidan el flujo de aire por los orificios de ventilación.
10. El equipo eléctrico deber ser situado fuera del alcance de fuentes de calor como radiadores, registros de calor, estufas u otros aparatos (incluyendo amplificadores) que producen calor.
11. El aparato eléctrico deberá ser conectado a una fuente de poder sólo del tipo descrito en el instructivo de operación, o como se indique en el aparato.
12. Precaución debe ser tomada de tal manera que la tierra física y la polarización del equipo no sea eliminada.
13. Los cables de la fuente de poder deben ser guiados de tal manera que no sean pisados ni pellizcados por objetos colocados sobre o contra ellos, poniendo particular atención a los contactos y receptáculos donde salen del aparato.
14. El equipo eléctrico debe ser limpiado únicamente de acuerdo a las recomendaciones del fabricante.
15. En caso de existir, una antena externa deberá ser localizada lejos de las líneas de energía.
16. El cable de corriente deberá ser desconectado del cuando el equipo no sea usado por un largo periodo de tiempo.
17. Cuidado debe ser tomado de tal manera que objetos líquidos no sean derramados sobre la cubierta u orificios de ventilación.
18. Servicio por personal calificado deberá ser provisto cuando:
 - A: El cable de poder o el contacto ha sido dañado; u
 - B: Objetos han caído o líquido ha sido derramado dentro del aparato; o
 - C: El aparato ha sido expuesto a la lluvia; o
 - D: El aparato parece no operar normalmente o muestra un cambio en su desempeño; o
 - E: El aparato ha sido tirado o su cubierta ha sido dañada.

APPENDIX B: DISCLAIMER/TRADEMARKS

B.1 DISCLAIMER

Black Box Corporation shall not be liable for damages of any kind, including, but not limited to, punitive, consequential or cost of cover damages, resulting from any errors in the product information or specifications set forth in this document and Black Box Corporation may revise this document at any time without notice.

B.2 TRADEMARKS USED IN THIS MANUAL

Black Box and the Black Box logo type and mark are registered trademarks of Black Box Corporation.

Any other trademarks mentioned in this manual are acknowledged to be the property of the trademark owners.



NOTES

NEED HELP?
LEAVE THE TECH TO US

**LIVE 24/7
TECHNICAL
SUPPORT**

1.877.877.2269

Lined area for notes with horizontal dashed lines.



**NEED HELP?
LEAVE THE TECH TO US**

**LIVE 24/7
TECHNICAL
SUPPORT**

1.877.877.2269

