

ZYXEL

XGS1010-12

12-Port Unmanaged Multi-Gigabit Switch with 2-Port 2.5G and 2-Port 10G SFP+



Quick Start Guide


ENGLISH | DEUTSCH | FRANÇAIS | ITALIANO
NORSK | ESPAÑOL | SUOMI | ČEŠTINA | POLSKI

Package Contents

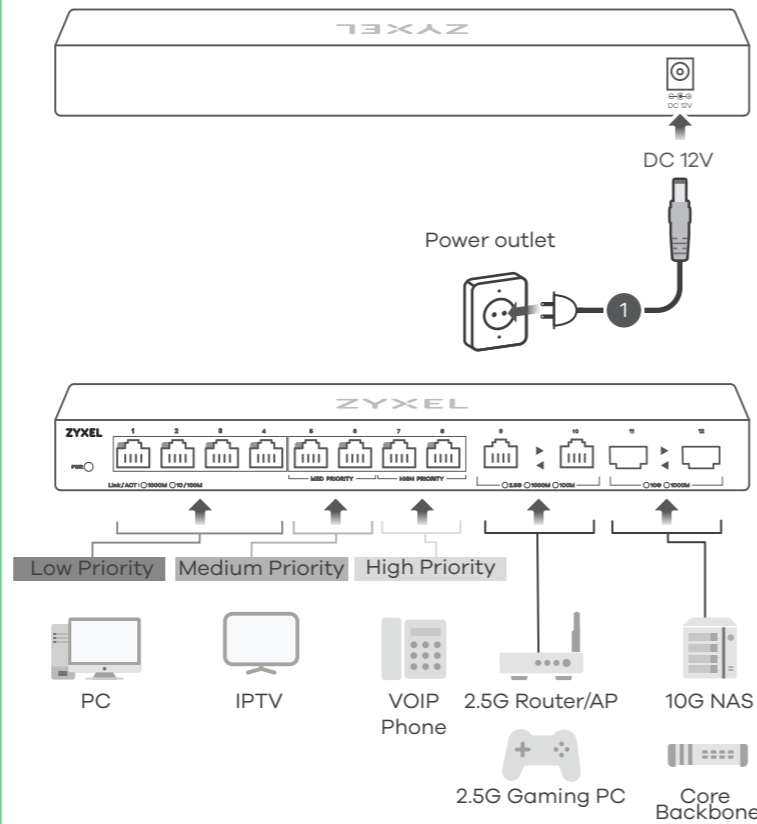
 XGS1010-12

 International Power Adapter









 QSG

 Declaration of Conformity
Safety Warnings

1 Hardware Installation



LEDs

PWR	Green	<ul style="list-style-type: none"> On - Switch Ready  Blinking - Switch Starting Off - Switch Off
Ports 1-8 LINK/ACT	Green	<ul style="list-style-type: none"> On - 1000 Mbps connection ready  Blinking - Data transmitting
	Amber	<ul style="list-style-type: none"> On - 10/100 Mbps connection ready  Blinking - Data transmitting Off - No Connection
Ports 9-10 (Left LED) (Right LED)	Blue	<ul style="list-style-type: none"> On - 2.5 Gbps connection ready  Blinking - Data transmitting
	Green	<ul style="list-style-type: none"> On - 1000 Mbps connection ready  Blinking - Data transmitting
Ports 11-12 (Left LED) (Right LED)	Amber	<ul style="list-style-type: none"> On - 100 Mbps connection ready  Blinking - Data transmitting Off - No Connection
	Blue	<ul style="list-style-type: none"> On - 10 Gbps connection ready  Blinking - Data transmitting
Ports 11-12 (Left LED) (Right LED)	Green	<ul style="list-style-type: none"> On - 1000 Mbps connection ready  Blinking - Data transmitting Off - No Connection

- EN** Connect to an appropriate power source. The PWR light initially blinks. Wait for the PWR light to turn steady on, indicating the Switch is ready for use. Connect to a modem or router that has internet access.
- DE** An eine geeignete Stromquelle anschließen. Warten Sie, bis das PWR-Licht dauerhaft leuchtet. Wenn die PWR-Anzeige nicht blinkt, ist das Gerät betriebsbereit.
- FR** Connectez-vous à une source d'alimentation appropriée. Le voyant PWR se met tout d'abord à clignoter. Attendre que le voyant PWR s'allume en continu, indiquant que le commutateur est prêt à être utilisé.
- IT** Collegare ad una fonte di alimentazione appropriata. La luce di accensione all'inizio lampeggia. Attendi che sia fissa, che significa che lo Switch è pronto all'uso.
- NO** Koble til en hensiktsmessig strømkilde. PWR-lampen blinker til å begynne med. Vent til PWR-lampen lyser kontinuerlig. Det angir at bryteren er klar for bruk.
- SE** Anslut till en lämplig strömkälla. Vänta till PWR-lampan lyser med ett fast sken. När PWR-lampan inte längre blinkar är enheten redo att användas.
- FI** Liitä laite yhteensopivaan virtalähteeseen. Odota kunnes PWR-valo palaa tasaisesti. Kun PWR-valo ei vilku, laite on käyttövalmis.
- CZ** Připojte do odpovídajícího zdroje energie. Počkejte, dokud kontrolka PWR nezačne trvale svítit. Pokud kontrolka PWR neblinká, zařízení je připraveno k provozu.
- PL** Podłącz do odpowiedniego źródła zasilania. Poczekaj, aż lampka PWR zaświeci się stale. Gdy lampka PWR nie miga, urządzenie jest gotowe do użycia.

ZYXEL

Your Networking Ally



Warranty Card

Thank you for purchasing a Zyxel product. Zyxel has a reputation for delivering high quality, high performance products and services to our customers. We recommend that you now visit the Zyxel website and register your product online. This will mean you can receive the latest firmware, drivers and product related information. If you still have further questions or enquiries related to the product, please contact our subsidiaries worldwide. Please note that warranty terms may vary by region. Full detailed information is available on our website, here: http://www.zyxel.com/support/warranty_information.shtml

Purchase Information

Zyxel Product Name:

Hardware Serial Number:

Date of Purchase:

(In certain countries, the warranty will be validated with seller's signature and stamp):

Support Information

USA

+ 1 800 255 4101
support@zyxel.com

EU, Turkey and Russia

<https://support.zyxel.eu>

Thailand

+ 66 2831 5315
support@zyxel.co.th

Taiwan

+ 886 2 2739 9889
retail@zyxel.com.tw

EU Importer

Zyxel Communications A/S
Gladsaxevej 378, 2. th. 2860 Søborg, Denmark
<https://www.zyxel.com/dk/da/>

US Importer

Zyxel Communications, Inc
1130 North Miller Street Anaheim, CA 92806-2001
<https://www.zyxel.com/us/en/>

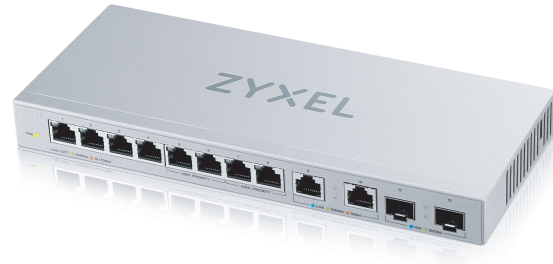
Copyright © 2020 Zyxel Communications Corp. All Rights Reserved.



ZYXEL

XGS1010-12

12-Port Unmanaged Multi-Gigabit Switch with 2-Port 2.5G and 2-Port 10G SFP+



Quick Start Guide

MAGYAR | ROMÂNĂ | SLOVENČINA | SLOVENŠČINA
БЪЛГАРСКИ | TÜRK | РУССКИЙ | ภาษาไทย | 繁體中文

Package Contents

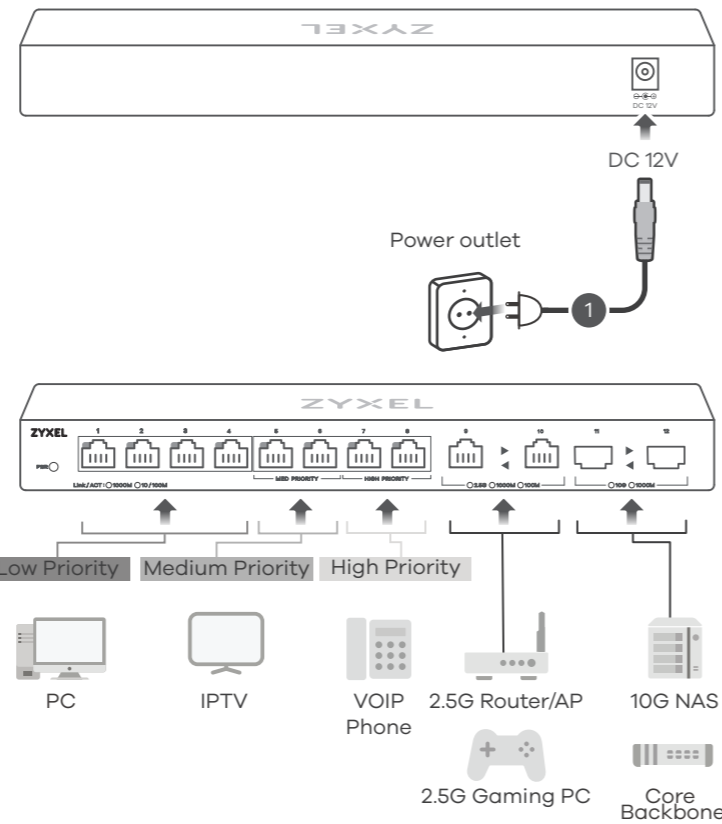
XGS1010-12

International Power Adapter

QSG

Declaration of Conformity
Safety Warnings

1 Hardware Installation



LEDs

PWR	Green	<ul style="list-style-type: none"> On - Switch Ready Blinking - Switch Starting Off - Switch Off
Ports 1-8 LINK/ACT	Green	<ul style="list-style-type: none"> On - 1000 Mbps connection ready Blinking - Data transmitting
	Amber	<ul style="list-style-type: none"> On - 10/100 Mbps connection ready Blinking - Data transmitting Off - No Connection
Ports 9-10 (Left LED) (Right LED)	Blue	<ul style="list-style-type: none"> On - 2.5 Gbps connection ready Blinking - Data transmitting
	Green	<ul style="list-style-type: none"> On - 1000 Mbps connection ready Blinking - Data transmitting
Ports 11-12 (Left LED) (Right LED)	Amber	<ul style="list-style-type: none"> On - 100 Mbps connection ready Blinking - Data transmitting Off - No Connection
	Blue	<ul style="list-style-type: none"> On - 10 Gbps connection ready Blinking - Data transmitting
Ports 11-12 (Left LED) (Right LED)	Green	<ul style="list-style-type: none"> On - 1000 Mbps connection ready Blinking - Data transmitting Off - No Connection
	Amber	<ul style="list-style-type: none"> On - 100 Mbps connection ready Blinking - Data transmitting Off - No Connection

- HU** Csatlakoztasson egy megfelelő áramforrást. Várja meg a PWR fényét, hogy az működésbe bekapcsoljon. Ha a PWR jelzőfény nem villog, a készülék használatra kész.
- RO** Conectați la o sursă de alimentare corespunzătoare. Așteptați până se aprinde indicatorul luminos PWR pentru a porni constant. Atunci când lumina PWR nu clipește, dispozitivul este gata de utilizare.
- SK** Pripojte k vhodnému zdroju napájania. Počkajte na rozsvietenie kontrolky PWR. Ak kontrolka PWR neblíká, zariadenie je pripravené na použitie.
- SL** Priključite v ustrezno električno vtičnico. Lučka PWR v začetku utripa. Počakajte, da lučka PWR zasveti in tako pokaže, da je stikalo pripravljeno za uporabo.
- BG** Свържете към подходящо захранване. Изчакайте PWR светлината да се включи постоянно. Когато PWR светлината не мига, устройството е готово за употреба.
- TR** Uygun bir güç kaynağına başlayın. Sabit şekilde AÇMAK için PWR ışığını bekleyin. PWR ışığı yanıp sönmeye başladığında, cihaz kullanıma hazırdır.
- RU** Подключите кабель питания. Первоначально индикатор PWR моргает, как только он перестанет моргать, коммутатор готов к использованию.
- TH** เชื่อมต่อไปยังแหล่งจ่ายไฟที่เหมาะสม. รอจนไฟสถานะ PWR หยุดกะพริบ อุปกรณ์จะพร้อมทำงานเมื่อไฟสถานะ PWR ติดนิ่งแล้ว.
- 繁中** 連接至適當的電源插座。PWR 燈號會先閃爍，待 PWR 燈號呈現恆亮之後，交換機便可以使用。

ZYXEL

Your Networking Ally



Warranty Card

Thank you for purchasing a Zyxel product. Zyxel has a reputation for delivering high quality, high performance products and services to our customers. We recommend that you now visit the Zyxel website and register your product online. This will mean you can receive the latest firmware, drivers and product related information. If you still have further questions or enquiries related to the product, please contact our subsidiaries worldwide. Please note that warranty terms may vary by region. Full detailed information is available on our website, here: http://www.zyxel.com/support/warranty_information.shtml

Purchase Information

Zyxel Product Name:

Hardware Serial Number:

Date of Purchase:

(In certain countries, the warranty will be validated with seller's signature and stamp):

Support Information

- | | |
|--|---|
| USA | EU, Turkey and Russia |
| + 1 800 255 4101 | https://support.zyxel.eu |
| support@zyxel.com | |
| Thailand | Taiwan |
| + 66 2831 5315 | + 886 2 2739 9889 |
| support@zyxel.co.th | retail@zyxel.com.tw |

EU Importer
Zyxel Communications A/S
Gladsaxevej 378, 2. th. 2860 Søborg, Denmark
<https://www.zyxel.com/dk/da/>

US Importer
Zyxel Communications, Inc
1130 North Miller Street Anaheim, CA 92806-2001
<https://www.zyxel.com/us/en/>

Copyright © 2020 Zyxel Communications Corp. All Rights Reserved.

