

Grandstream Networks, Inc.

GSC3570 – Quick Installation Guide

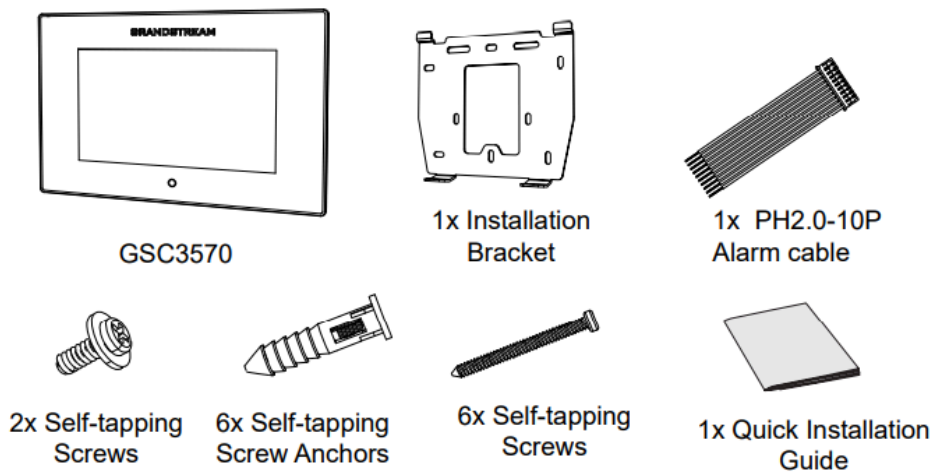


The GSC3570 is a powerful Intercom phone for door control and 2-way intercom. It features a 7" 1024×600 touch screen LCD, integrated dual-band 802.11ac Wi-Fi, 100M network port with PoE, full duplex 2-way HD audio with advanced AEC, and innovative telephony functionalities. The GSC3570 is fully interoperable with nearly all major SIP platforms on the market and can be seamlessly integrated with Grandstream's entire range of UC product lines including SIP based door systems, security cameras, IP PBXs, and video conferencing systems and services. This Intercom phone is the perfect choice for users looking for an integrated video control and two-way voice communication solution for their wall mount.

Precautions:

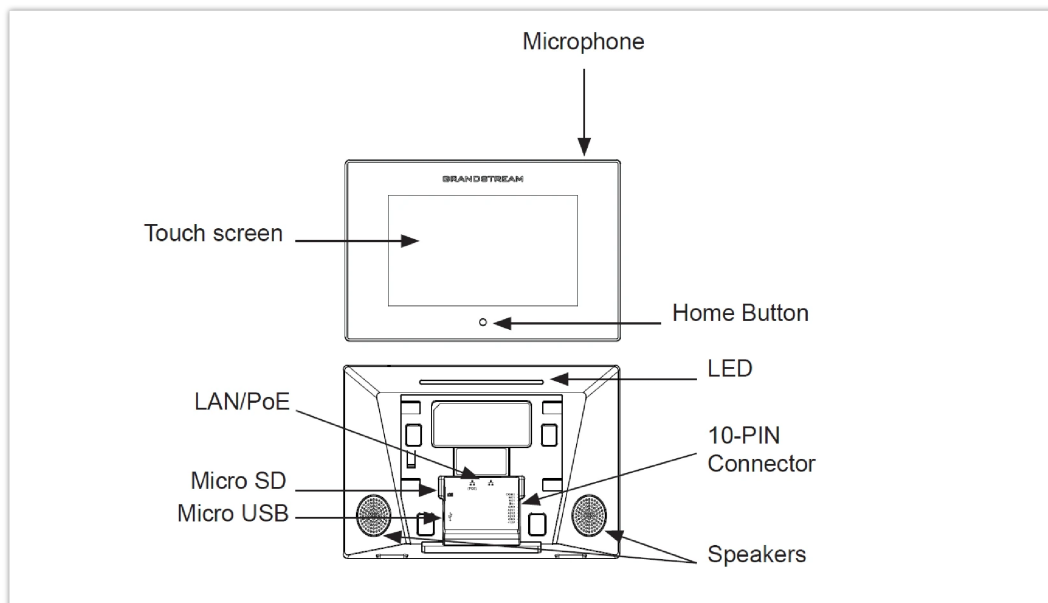
- Do not attempt to open, disassemble, or modify the device.
- Do not expose this device to temperatures outside range of -10 °C to 50 °C in operation and -20 °C to 60 °C in storage.
- Do not expose the GSC3570 to environments outside of the following humidity range: 10-90% RH (non-condensing).
- Do not power cycle your GSC3570 during system boot up or firmware upgrade. You may corrupt firmware images and cause the unit to malfunction

Package Contents



GSC3570 Setup

The following illustration shows the different ports and interfaces of the GSC3570 device.

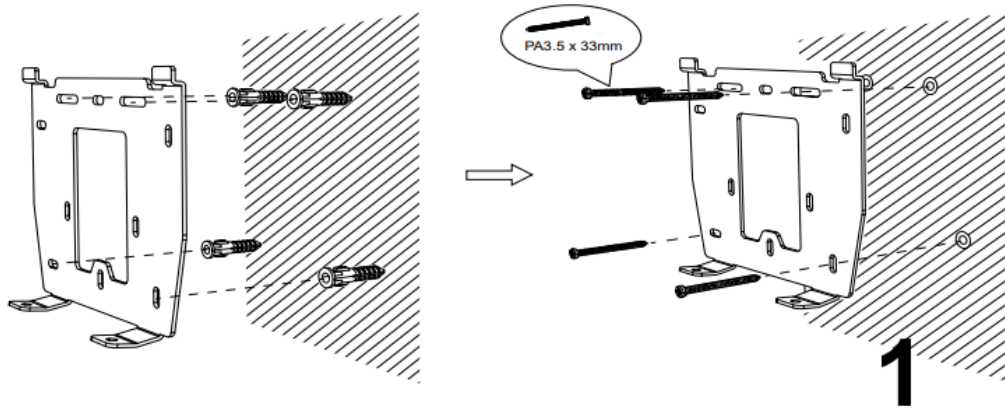


Device Installation

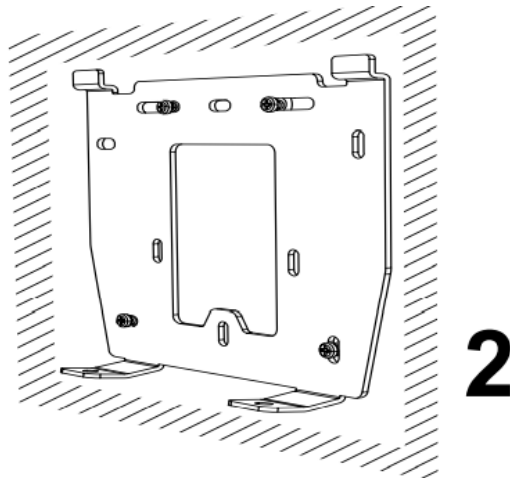
The GSC3570 supports both in-wall and on-wall mounting options to suit various installation environments. Please follow the appropriate steps below for secure and proper installation:

On-Wall Mount

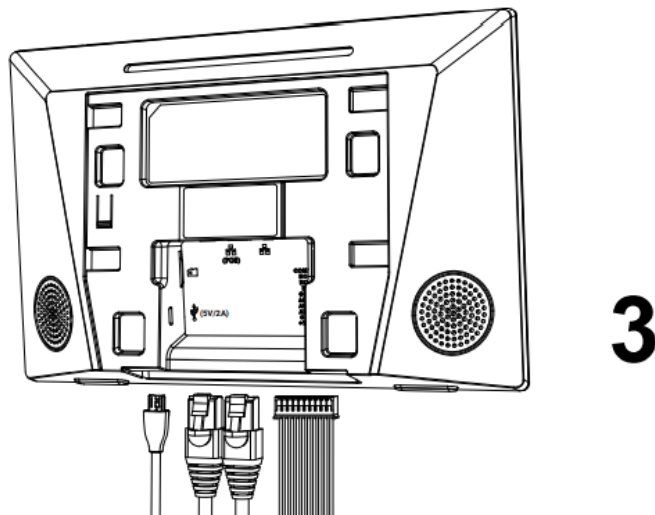
1. Locate the equipment holder on the desired position. Drill four holes on the wall referring to the positions of the ones on the metal bracket. Then, fix a Screw Anchor in each hole.



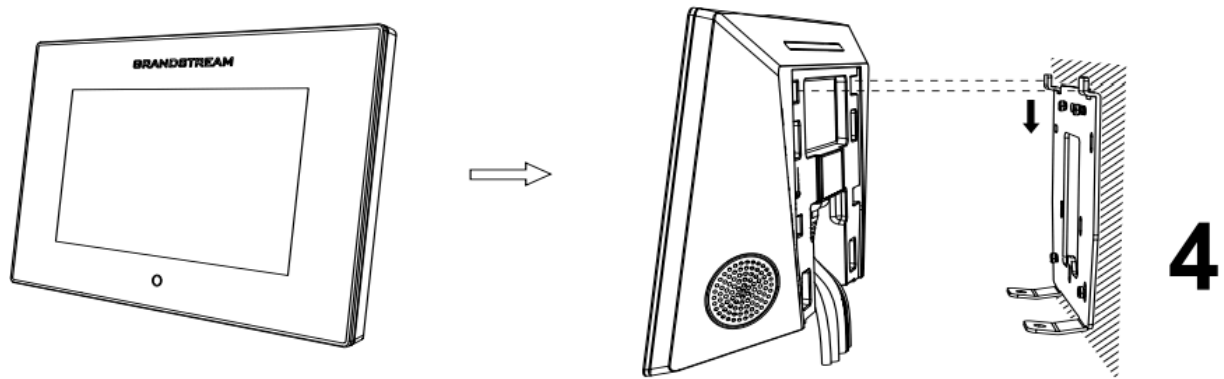
2. Fix the metal bracket on the wall by Self-tapping Screws.



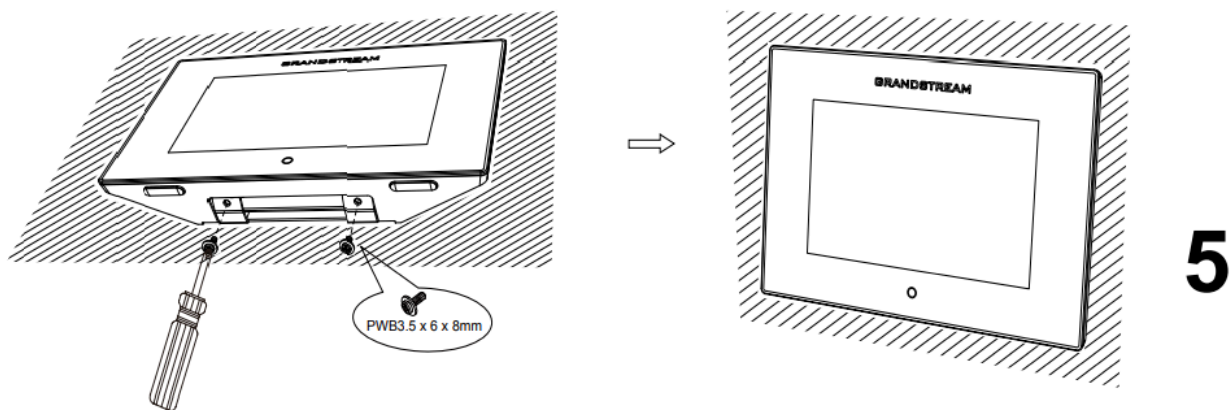
3. Plug in the cables to the proper GSC3570 ports on the back.



4. Align the position slots on device's back with their correct placement on the Metal Bracket, then fix it by pushing Down.



5. Plug in the Self-tapping Screws at bottom to attach the device to the metal bracket.

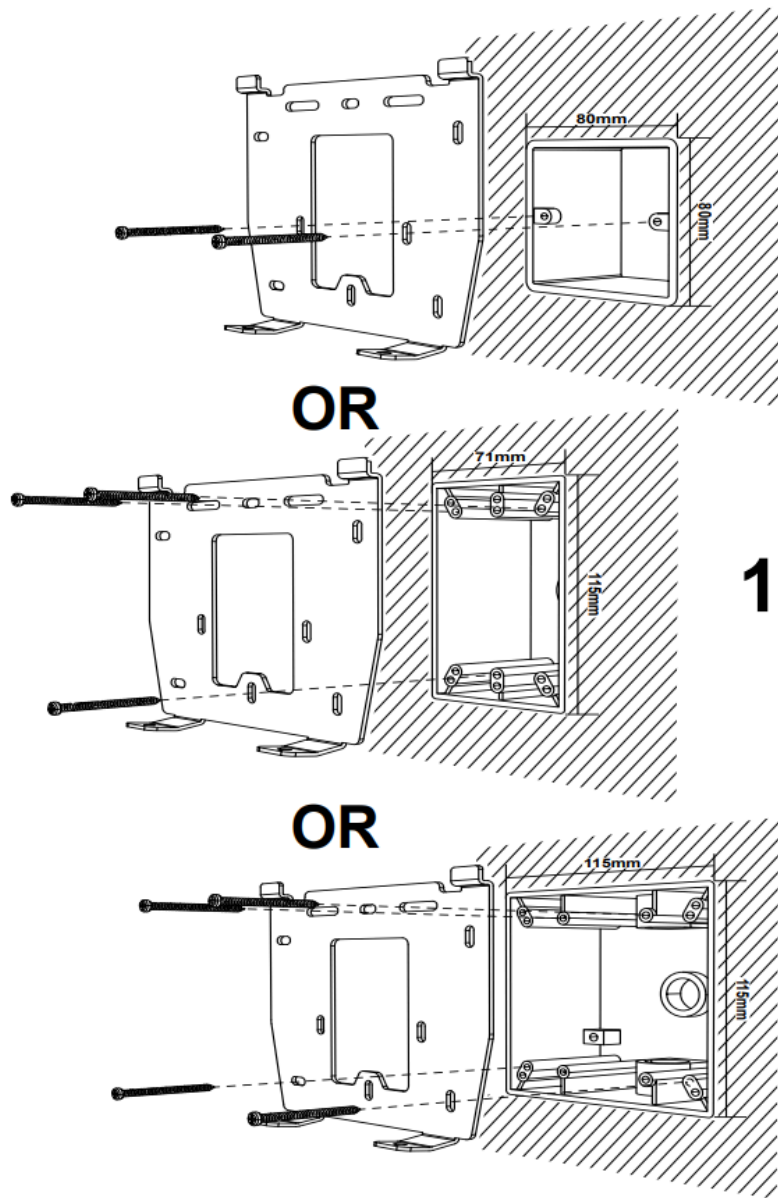


In-Wall Mount

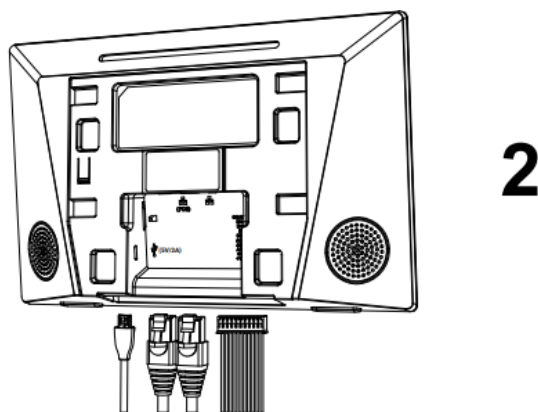
1. Locate the box screw holes and align them with the metal bracket holes. Then, fix a Self-tapping Screw on each hole.

Below is the supported Box dimensions:

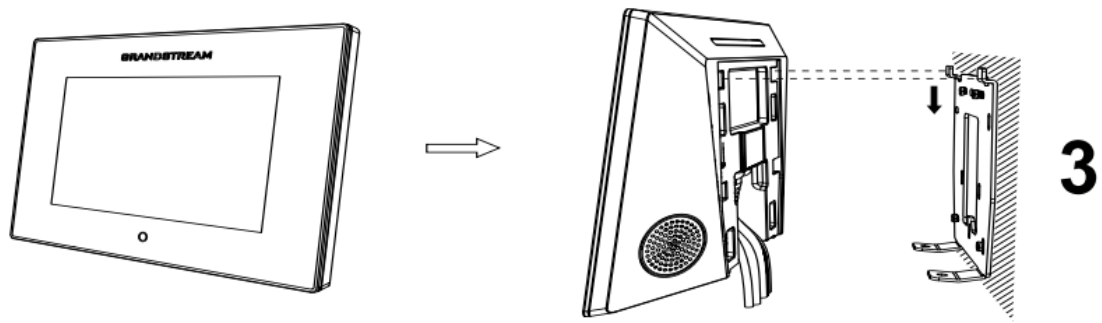
- 80mm x 80mm
- 71mm x 115mm
- 115mm x 115mm



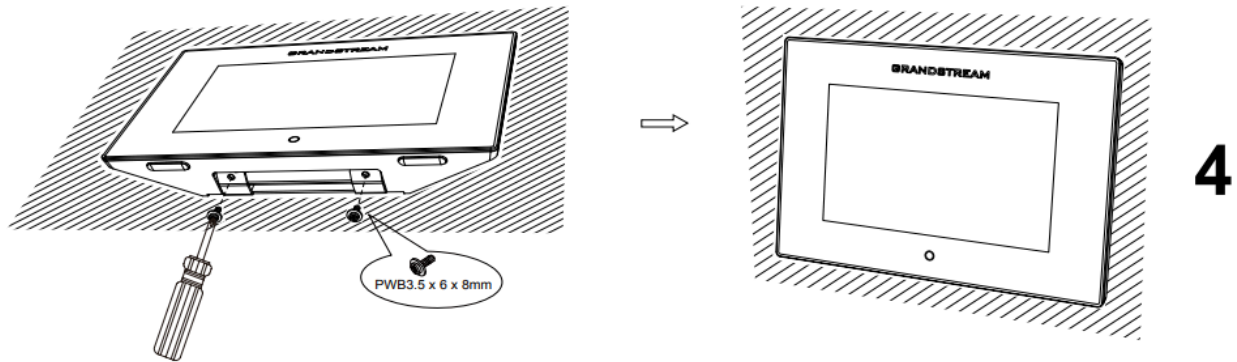
2. Plug in the cables to the proper GSC3570 ports on the back.



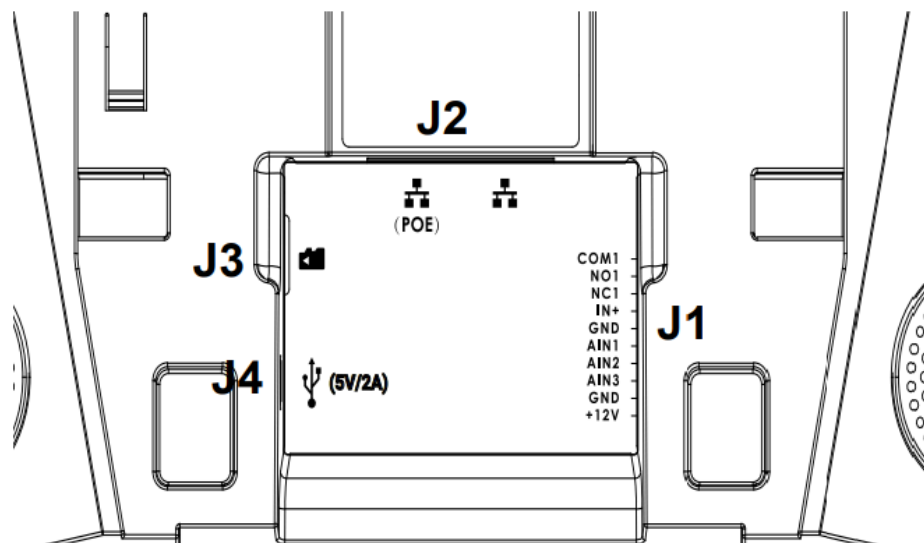
3. Align the position slots on device's back with their correct placement on the Metal Bracket, then fix it by pushing Down.



4. Plug in the Self-tapping Screws at bottom to attach the device to the metal bracket.



GSC3570 Ports



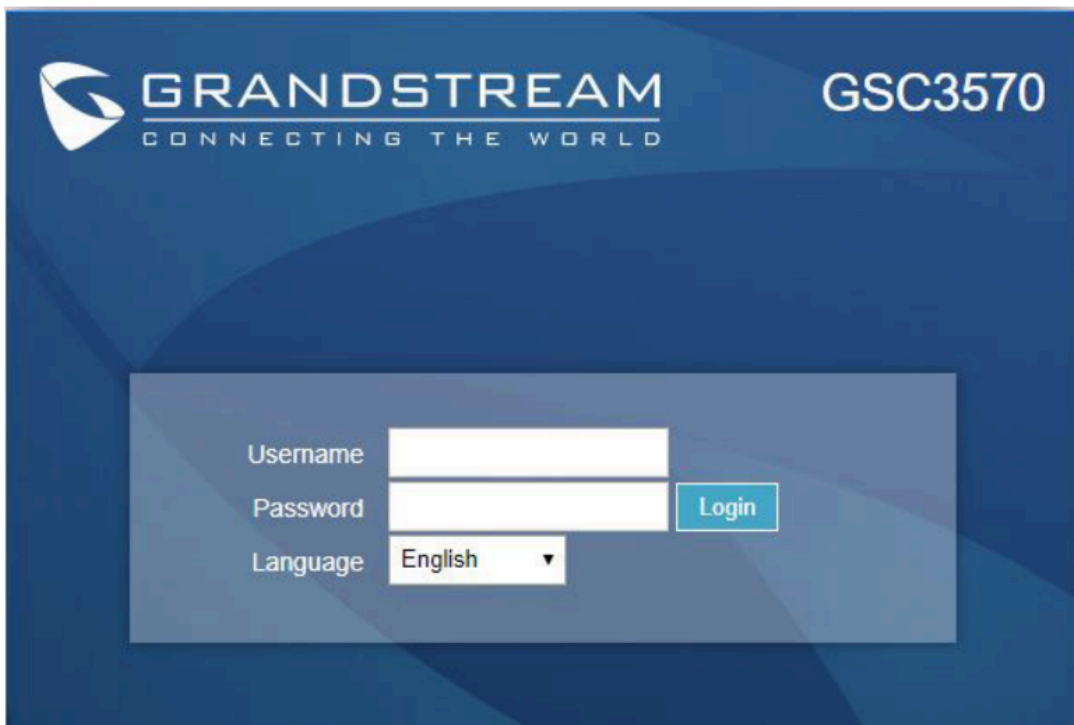
Jack	Port			Function	Remark
	Pin	Signal	Color		
J1	1	COM1	Orange	Alarm OUT	1 Relay output, normal open or close, max 125VAC/0.5A or max DC 30V/2A
	2	NO1	Yellow		
	3	NC1	Green		
	4	IN+	White	Alarm IN (Active)	Alarm isolated input, for voltage signal detection, IN+ connect the

				sensor's signal output, please connect the GND to Alarm device's GND or Negative of power. Active voltage range 9-15V
5	GN D	Black	Alarm GND	Voltage reference for IN+, Switch signal reference for AIN (1/2/3)
6	AIN 1	Blue	Alarm IN (Passive)	Alarm input, for button/door contacts switch signal detection. Please connect the Switch/button to AIN (1/2/3) and GND
7	AIN 2	Brown		
8	AIN 3	Gray		
9	GN D	Black	Power Supply	DC12V recommend, input voltage rang 9-15V Current at least 1A@12V
10	+12 V	Red		
J2	Network Port		<ul style="list-style-type: none"> PoE Supply LAN port 	Dual 10/100 Mbps Network ports: One is POE port with class AF mode. The other one is a LAN port
J3	Micro SD Port		Data storage	Support microSD/SDHC/SDXC, up to 256G
J4	Micro USB Port		Data exchange	Data exchange port, Not recommended to use this port to power supply. If needed, please use 5V/2A adapter.

GSC3570 Configuration

Configure the GSC3570 using a Web Browser

1. Ensure your device is powered up and connected to the Network.
2. Slide to the second home page and press "Setting".
3. Select "Network Status" to check the IP address.
4. Type the unit's IP address in your PC browser. (See figure below).
5. Enter admin's username and password to access the configuration menu.
(The factory default username is "admin" while the default random password can be found on the sticker at the back of the unit).



Configure the GSC3570 from the LCD Menu

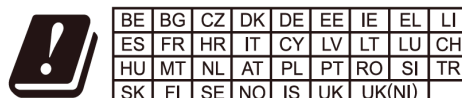
1. Make sure the device is idle.
2. Slide to the second home page and press "Setting". Browse the GSC3570 MENU for Status, Network information, Features and Basic/ Advanced Settings.
3. Press "Home" Button to go back to Idle screen

The GNU GPL license terms are incorporated into the device firmware and can be accessed via the Web user interface of the device at my_device_ip/gpl_license. It can also be accessed here: <https://www.grandstream.com/legal/opensource-software>

To obtain a CD with GPL source code information please submit a written request to info@grandstream.com

The GSC3570 is not pre-configured to support or make emergency calls to any type of hospital, law enforcement agency, medical care unit ("Emergency Service(s)") or any other kind of Emergency Service. You must make additional arrangements to access Emergency Services. It is your responsibility to purchase SIP-compliant Internet telephone service, properly configure the GSC3570 to use that service, and periodically test your configuration to confirm that it works as you expect. It is also your responsibility to purchase traditional wireless or landline telephone services to access Emergency Services.

GRANDSTREAM DOES NOT PROVIDE CONNECTIONS TO EMERGENCY SERVICES VIA THE GSC3570. NEITHER GRANDSTREAM NOR ITS OFFICES, EMPLOYEES OR AFFILIATES MAY BE HELD LIABLE FOR ANY CLAIM, DAMAGE, OR LOSS, AND YOU HEREBY WAIVE ANY AND ALL SUCH CLAIMS OR CAUSES OF ACTION ARISING FROM OR RELATING TO YOUR INABILITY TO USE THE GSC3570 TO CONTACT EMERGENCY SERVICES, AND YOUR FAILURE TO MAKE ADDITIONAL ARRANGEMENTS TO ACCESS EMERGENCY SERVICES IN ACCORDANCE WITH THE IMMEDIATELY PRECEDING PARAGRAPH.



In the UK and EU member states, operation of 5150-5350 MHz is restricted to indoor use only.



For Certification, Warranty and RMA information, please visit www.grandstream.com