

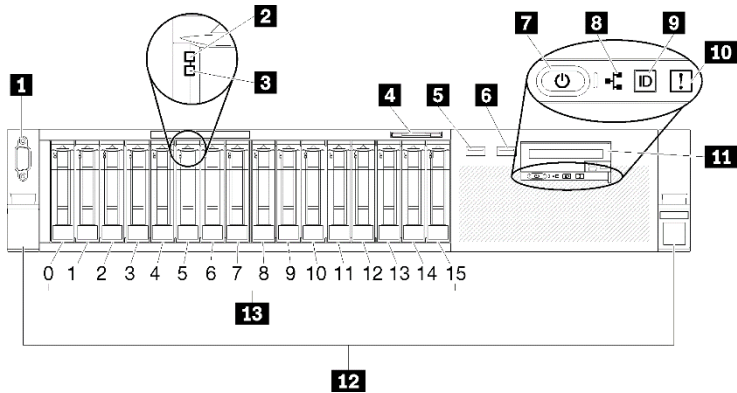
Your shipping box contains the following items:

- SR850
- Material box, including printed documentation

If any item is missing or damaged, contact your place of purchase. Ensure that you retain your proof of purchase and packing material. They might be required to receive warranty service.

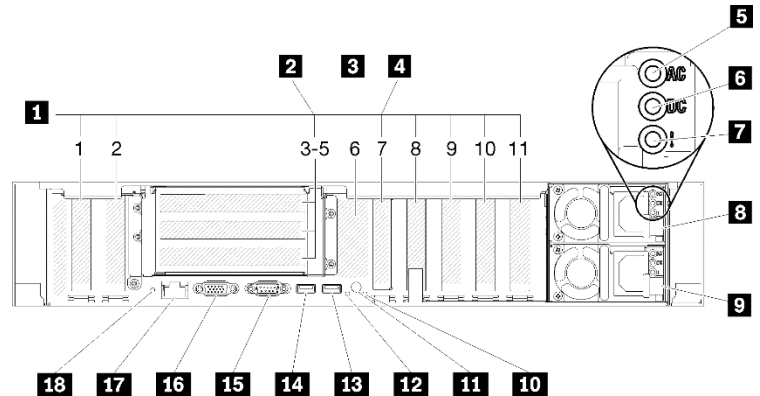
First glance

Server front view:



1 VGA connector (optional)	8 Network activity LED (green)
2 Drive activity LED (green)	9 Identification button/LED (blue)
3 Drive status LED (yellow)	10 System error LED (yellow)
4 Pull-out information tab	Front operator panel with optional pull-out LCD display
5 USB 1 (USB 2.0 with Lenovo XClarity Controller management)	12 Rack release latches
6 USB 2	13 2.5-inch drive bays
7 Power button/LED (green)	

Server rear view:



1 PCIe slots	10 System error LED
2 PCIe riser-card	11 Identification button
3 M.2 (internal)	12 Identification LED
4 LOM adapter	13 USB 4 (USB 3.0)
5 AC power LED (green)	14 USB 3 (USB 3.0)
6 DC power LED (green)	15 Serial connector
7 Power supply error LED (yellow)	16 VGA connector
8 Power supply unit 2	17 XClarity Controller network connector
9 Power supply unit 1	18 NMI button

Setting up the System

1. Install the required solution components.
2. Install the server into the rack.
See the *Rack Installation Guide* that was provided with the rail kit.
3. Connect the cables.
4. Connect the management controller to the network.
5. Power on the server.
6. Configure the system.

For detailed information about installing hardware options and configuring the system, see the following website:
<http://thinksystem.lenovofiles.com/help/topic/7X18/introduction.html>



Technical specifications

Dimensions and weight

- Height: 86.5 mm (3.4 inches)
- Width:
 - With rack handles: 482.0 mm (19.0 inches)
 - Without rack handles: 444.6 mm (17.5 inches)
- Depth: 763.7 mm (30.1 inches)
- Weight (depending upon configuration):
 - Maximum: 27.0 kg (59.6 lb)

Note: The depth is measured with rack handles installed, but without the security bezel installed.

Processor

Your server comes with Intel Xeon Processor Scalable Family, up to four processors from

- Intel Xeon Platinum processor
- Intel Xeon Gold processor

Memory

- Minimum: 16 GB
- Maximum:
 - RDIMM: 1.5 TB
 - LRDIMM: 3 TB
 - 3DS-RDIMM: 6 TB
 - DC Persistent Memory Module: 12 TB (in Memory Mode)
- DIMM types:
 - PC4-21300 (single-rank, dual-rank), 2666 MT/s, error correcting code (ECC), double-data-rate 4 (DDR4) registered DIMM (RDIMM)
 - PC4-21300 (quad-rank), 2666 MT/s, error correcting code (ECC), double-data-rate 4 (DDR4) load reduced DIMM (LRDIMM)
 - PC4-21300 (octa-rank), 2666 MT/s, error correcting code (ECC), double-data-rate 4 (DDR4) three-dimensional stacking registered DIMM (3DS-RDIMM)
 - DC Persistent Memory Module (DCPMM)
- Slots: 24/48 DIMM slots, two-way interleaved

Storage bays (depending on the model):

Two storage drive backplanes support up to sixteen 2.5-inch drives:

- Bay 0-3: SATA/SAS
- Bay 4-7: SATA/SAS/NVMe
- Bay 8-11: SATA/SAS
- Bay 12-15: SATA/SAS/NVMe

Networking:



- Supports one Ethernet connector as dedicated management port
- Supports two or four Ethernet connectors on LOM adapter

Third Edition (May 2019)

© Copyright Lenovo 2019.

LIMITED AND RESTRICTED RIGHTS NOTICE: If data or software is delivered pursuant to a General Services Administration (GSA) contract, use, reproduction, or disclosure is subject to restrictions set forth in Contract No. GS-35F-05925.

Where to go for support

Link	QR Code
 <p>Lenovo Press (Product guides and white papers)</p> <p>https://lenovopress.com/</p>	
 <p>Lenovo Datacenter Systems Forums</p> <p>https://forums.lenovo.com/t5/Datacenter-Systems/ct-p/sv_eg</p>	
 <p>Lenovo Support – SR850 (including drivers and software)</p> <p>http://datacentersupport.lenovo.com/products/servers/thin_ksystem/sr850</p>	
 <p>Lenovo Product Security Advisories</p> <p>http://support.lenovo.com/us/en/product_security/home</p>	
 <p>Lenovo Server Proven (Compatibility information)</p> <p>https://static.lenovo.com/us/en/serverproven/index.shtml</p>	