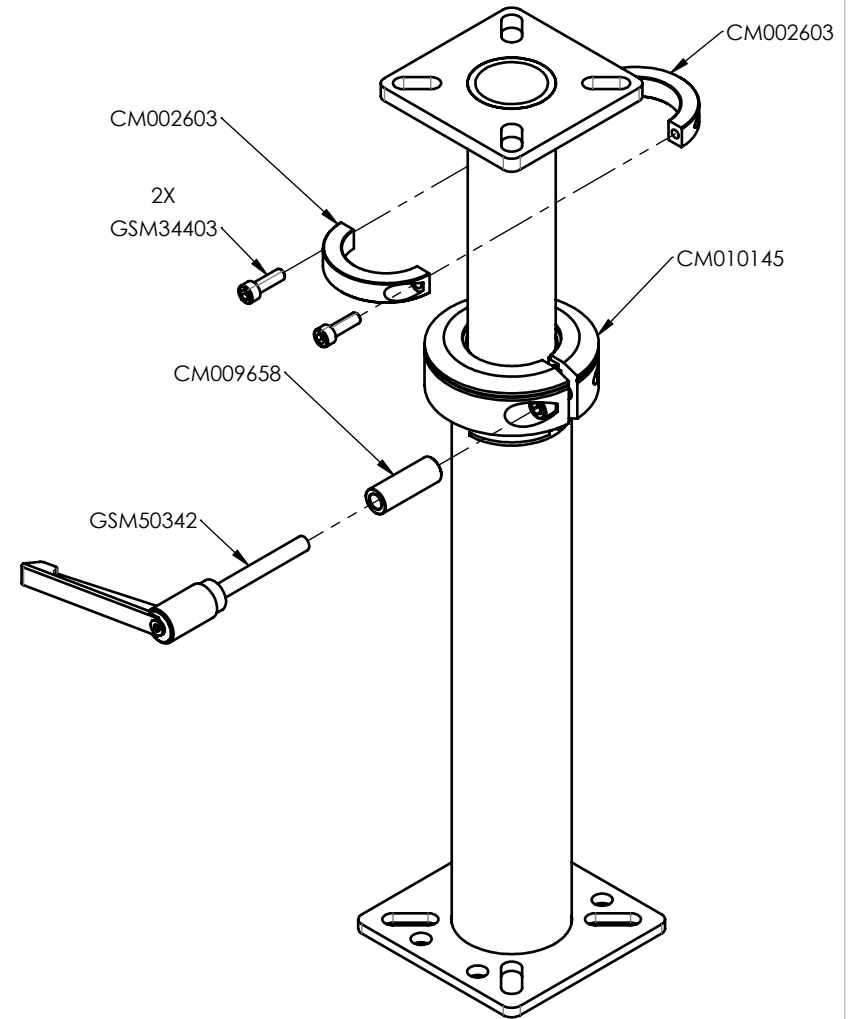
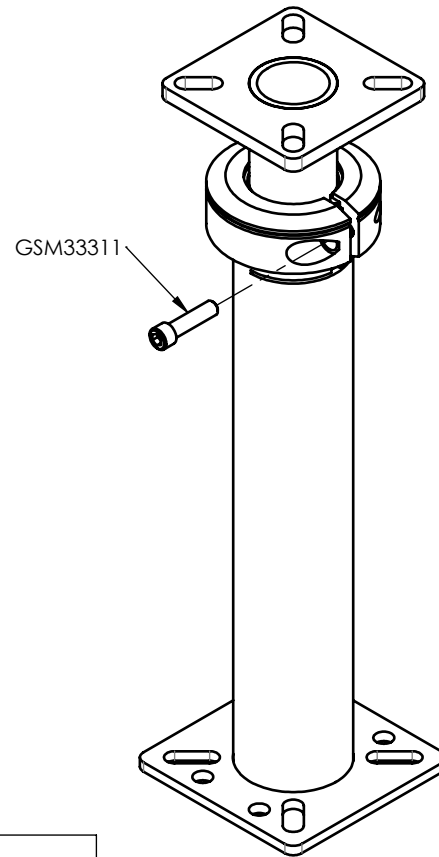


## INSTALLATION INSTRUCTIONS

1. REMOVE GSM33311 1/4-20 X 3/4" SOCKET HEAD SCREW
2. PLACE CM009658 SPACER ONTO STUD OF GSM50342 CLAMPING HANDLE AS SHOWN
3. INSTALL CLAMPING HANDLE INTO COLLAR CLAMP
4. TO LOCK POLE HEIGHT BUT ALLOW ROTATION, INSTALL CM002603 SHAFT COLLAR ONTO UPPER POLE SECTION USING (2) GSM34403 #10-24 X 5/8" SOCKET HEAD SCREWS. DO NOT TIGHTEN
5. ADJUST POLE TO DESIRED HEIGHT, POSITION SHAFT COLLAR DOWN AGAINST CM010145 CLAMP AND TIGHTEN SHAFT COLLAR SCREWS



QTY.	PART NUMBER	DESCRIPTION
1	CM002603	SHAFT COLLAR
1	CM009658	SPACER, ALUM, SHORT
1	CM010145	COLLAR, CLAMP, HDM POLE (PART OF POLE ASSEMBLY)
2	GSM34403	SCREW, 10-24 X 5/8, SHCS, SS
1	GSM50342	ADJUSTABLE (MALE) CLAMPING HANDLE

**HAVIS** HAVIS, INC. 75 JACKSONVILLE RD.  
WARMINSTER, PA. 18974  
1-800-524-9900

TITLE:  
INSTALLATION INSTRUCTIONS, HDM  
POLE HANDLE

**DO NOT SCALE DRAWING**

SIZE <b>A</b>	DWG. NO. C-HDM-INST-2	REV 5-21
------------------	--------------------------	-------------

WEIGHT (LB): 5.05	SCALE: 1:3	SHEET 1 OF 1
-------------------	------------	--------------