

8-Port VGA Rackmount LCD Console | 17 in | 1U

Product Design

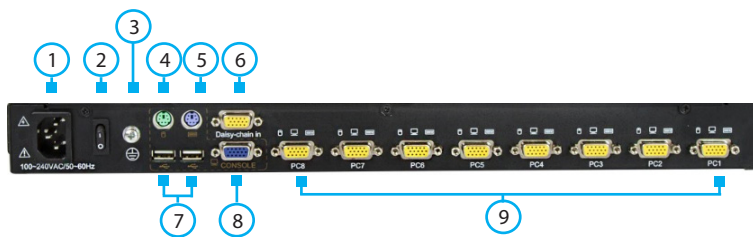
Actual product may vary from photos

Front View



- | | |
|-----------------------------------|--------------------------------|
| 1 Handle | 5 Mounting Bracket (installed) |
| 2 Port Selection Buttons/
LEDs | 6 Keyboard LEDs |
| 3 Current Port | 7 Display Menu Buttons |
| 4 Rail(s) | 8 Release Switch |

Rear View



- | | |
|---------------------------|------------------------|
| 1 Power Connection Port | 6 Daisy Chain Port |
| 2 Power Switch | 7 USB-A Ports |
| 3 Ground Connection Screw | 8 Console Monitor Port |
| 4 Console Mouse Port | 9 Host Port |
| 5 Console Keyboard Port | |

Package Contents

- LCD Rackmount Console x 1
- KVM Cables x 8
- M5 Cage Nuts x 8
- M5 Screws x 8
- Regional Power Cords (NA, JP, EU, UK, ANZ) x 5
- Mounting Rails x 2
- Quick-Start Guide x 1

Requirements

- 1U of Rack Space
- Grounding Wire
- Power Source
- Up to 8 Computers or Servers
- Phillips Type Screwdriver

Requirements are subject to change. For the latest requirements, please visit www.StarTech.com/RKCONS1708K.

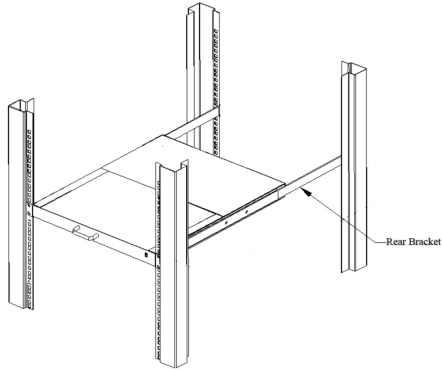
Installation

Note: It's easier to install the **LCD Rackmount Console** if another person helps you with the installation.

Warning: Use caution and proper lifting techniques when installing the **LCD Rackmount Console**.

1. Based on the mounting depth of the server rack that you are using, select the appropriate length of **Mounting Rails**.
2. Decide where in the server rack you want to install the **LCD Rackmount Console**.
3. Insert the **M5 Cage Nuts** (two per **Mounting Post**) into the square **Mounting Holes** on the **Mounting Posts**.
4. Align the rear **Mounting Bracket Rails** with the **M5 Cage Nuts** on the corresponding **Mounting Post**.
5. Insert an **M5 Screw** (two per **Mounting Post**) through the rear **Mounting Bracket Rail** and into the **M5 Cage Nut**. Do not tighten the **M5 Screws**.
6. With assistance, slide the **LCD Rackmount Console** into the server rack guiding the rear **Mounting Bracket Rails** into the **Rail Assembly**.
7. Insert a **M5 Screw** (two per **Mounting Post**) through the front **Mounting Bracket Rail** into the **M5 Cage Nut**.
8. Use a **Phillips Type Screwdriver** to tighten the **M5 Screws**.
9. Ensure that the rear **Rails** are properly aligned.
10. Use a **Phillips Type Screwdriver** to tighten the **M5 Screws**.

Installation Depth



Connect the Console

1. Connect a **Grounding Wire** to the **Ground Connection Screw** on the **LCD Rackmount Console** and to the earth-ground connection.
2. Connect one of the **KVM Cables** to a **Computer** or **Server** and the other one to the **Host Ports** on the **LCD Rackmount Console**. You can connect up to 8 computers or servers.
3. Connect the appropriate **Power Cord** for your region to the **Power Connection Port** on the **LCD Rackmount Console** and to a **Power Source**.
4. Open the **LCD Rackmount Console**. For more information about how to do this, see the “**Open the Console**” topic.
5. Use the **Power Switch** to turn on the **LCD Rackmount Console**.

Note: The **LCD Rackmount Console** makes two beeping sounds and the LED flashes three times when turned on.

6. Turn on the connected **Computers** or **Servers**.
7. On the **Login** screen on the **LCD Rackmount Console**, do one of the following:
 - If you’re using the console for the first time or you haven’t set a username and password, leave the text fields blank and press **Enter**.
 - If you have set a username and password, enter the information in the corresponding text fields and press **Enter**.

Safety Measures

- Wiring terminations should not be made with the product and/or electric lines under power.
- Product installation and/or mounting should be completed by a certified professional.

Mesures de sécurité

- Les terminaisons de câblage ne doivent pas être effectuées lorsque le produit et/ou les câbles électriques sont sous tension.
- L’installation et/ou le montage du produit doit être réalisé par un professionnel certifié et dans le respect des normes locales et du code de construction local.

安全対策

- 電源が入っている状態の製品または電線の終端処理を行わないでください。
- 製品の設置やマウントは、使用地域の安全ガイドラインおよび建築基準に従い、有資格の専門業者が行うようにしてください。

Misure di sicurezza

- I terminali dei fili elettrici non devono essere realizzate con il prodotto e/o le linee elettriche sotto tensione.
- L’installazione e/o il montaggio dei prodotti devono essere eseguiti da un tecnico professionale certificato che conosca le linee guida locali sulle norme edilizie e sulla sicurezza.

Säkerhetsåtgärder

- Montering av kabelavslutningar får inte göras när produkten och/eller elledningarna är strömförda.
- Installation och/eller montering får endast göras av behöriga yrkespersoner och enligt gällande lokala förfordningar för säkerhet och byggnormer.

FCC Compliance Statement

This equipment has been tested and found to comply with the limits for a Class B digital device, pursuant to part 15 of the FCC Rules. These limits are designed to provide reasonable protection against harmful interference in a residential installation. This equipment generates, uses and can radiate radio frequency energy and, if not installed and used in accordance with the instructions, may cause harmful interference to radio communications. However, there is no guarantee that interference will not occur in a particular installation. If this equipment does cause harmful interference to radio or television reception, which can be determined by turning the equipment off and

on, the user is encouraged to try to correct the interference by one or more of the following measures:

- Reorient or relocate the receiving antenna.
- Increase the separation between the equipment and receiver.
- Connect the equipment into an outlet on a circuit different from that to which the receiver is connected.
- Consult the dealer or an experienced radio/TV technician for help

8. Connect an optional monitor, keyboard, or mouse, connect the peripherals to the corresponding ports on the console.
9. To daisy chain additional KVM switches, connect the switches to the **Daisy Chain Port** on the **LCD Rackmount Console**.

Important Considerations

- If you’re installing the **Console** in a closed or multi-unit rack assembly, ensure that the environmental conditions are within the unit’s maximum and minimum specifications.
- Consider your airflow requirement when selecting a location for installation.
- The **Console** should be installed with a balanced mechanical load.
- It’s recommended that the **Console** be connected to a power source with overcurrent protection and supply wiring.
- The **Console** should be grounded appropriately.

Open the Console

1. Move the **Release Switch** to the unlocked position.
2. Use the **Handle** to pull the **LCD Rackmount Console** out towards you until you hear the **LCD Rackmount Console** click into place.
3. Pull the **Display** up and position it at the desired angle.

Select Ports

To quickly select a port, press the **Port Selection Button** that corresponds to the port that you want to select.

Close the Console

1. Lower the **Display** until it’s flush against the **Keyboard**.
2. Slide the **Release Switches** on the **LCD Rackmount Console** forward and push the **LCD Rackmount Console** in towards the rear of the rack.
3. Release the **Switches** and continue pushing the **LCD Rackmount Console** the rest of the way into the rack.

This device complies with part 15 of the FCC Rules. Operation is subject to the following two conditions:

(1) This device may not cause harmful interference, and (2) this device must accept any interference received, including interference that may cause undesired operation. Changes or modifications not expressly approved by StarTech.com could void the user’s authority to operate the equipment.

For the State of California

▲ **WARNING:** Cancer and Reproductive Harm - www.P65Warnings.ca.gov

Industry Canada Statement

This Class B digital apparatus complies with Canadian ICES-003. Cet appareil numérique de la classe [B] est conforme à la norme NMB-003 du Canada. CAN ICES-3 (B)/NMB-3(B)

This device complies with Industry Canada licence-exempt RSS standard(s). Operation is subject to the following two conditions:

(1) This device may not cause interference, and (2) This device must accept any interference, including interference that may cause undesired operation of the device.

Use of Trademarks, Registered Trademarks, and other Protected Names and Symbols

This manual may make reference to trademarks, registered trademarks, and other protected names and/or symbols of third-party companies not related in any way to StarTech.com. Where they occur these references are for illustrative purposes only and do not represent an endorsement of a product or service by StarTech.com, or an endorsement of the product(s) to which this manual applies by the third-party company in question. StarTech.com hereby acknowledges that all trademarks, registered trademarks, service marks, and other protected names and/or symbols contained in this manual and related documents are the property of their respective holders.

Warranty Information

This product is backed by a two-year warranty. StarTech.com warrants its products against defects in materials and workmanship for the periods noted, following the initial date of purchase. During this period, the products may be returned for repair, or replacement with equivalent products at our discretion. The warranty covers parts and labor costs only. StarTech.com does not warrant its products from defects or damages arising from misuse, abuse, alteration, or normal wear and tear.

Limitation of Liability

In no event shall the liability of StarTech.com Ltd. and StarTech.com USA LLP (or their officers, directors, employees or agents) for any damages (whether direct or indirect, special, punitive, incidental, consequential, or otherwise), loss of profits, loss of business, or any pecuniary loss, arising out of or related to the use of the product exceed the actual price paid for the product. Some states do not allow the exclusion or limitation of incidental or consequential damages. If such laws apply, the limitations or exclusions contained in this statement may not apply to you.

StarTech.com Ltd.

45 Artisans Cres.
London, Ontario
N5V 5E9
Canada

StarTech.com LLP

2500 Creekside Pkwy.
Lockbourne, Ohio
43137
U.S.A.

StarTech.com Ltd.

Unit B, Pinnacle 15
Gowerton Rd., Brackmills
Northampton
NN4 7BW
United Kingdom

FR: fr.startech.com

DE: de.startech.com
ES: es.startech.com
IT: it.startech.com
JP: jp.startech.com
NL: nl.startech.com