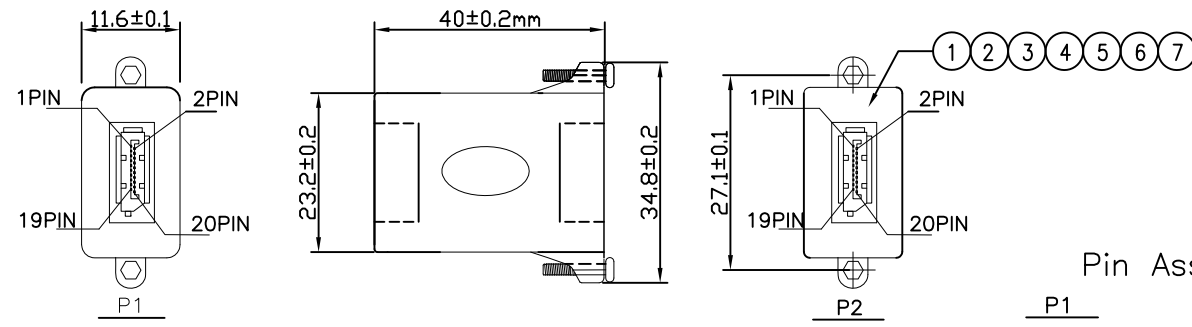


REVISIONS		
Rev	DESCRIPTION	DATE
A	INITIAL RELEASE	2016.10.25



Pin Assignment

P1	P2
1	12
3	10
2	11
4	9
6	7
5	8
7	6
9	4
8	5
10	3
12	1
11	2
13	13
14	14
15	15
16	16
17	17
18	18
19	19
20	20
SHELL	SHELL

ELECTRICAL TEST :

- 1.100% OPEN & SHORT & MIS WIRE TEST
- 2.CONTACT RESISTANCE: 2 OHM(MAX)
- 3.INSULATION RESISTANCE:10M OHM(MIN)
- 4.HI-POT TEST:DC 300V/10ms

PRODUCT SPECIFICATIONS :

- 1.Connector Type: DisplayPort FEMALE TO FEMALE
- 2.Connector Plating and Material:  
DisplayPort FEMALE Shell Nickel Plated
- 3.Color: Black DP connectors and Black PVC
- 4.RoHS2.0: Yes
- 5.Resolution Supported: 3840x2160
- 6.Cable Specifications:  
Displayport FEMALE TO FEMALE PCB
- 7.Passive Adapter Supports TMDS

The information contained in this document is the sole property of Black Box Corporation of Pennsylvania. Any reproduction in part or whole without the written permission of Black Box Corp. is prohibited.  
©Copyright 2012 Black Box Corporation of Pennsylvania d/b/a Black Box Network Services. All Rights Reserved.

UNLESS OTHERWISE SPECIFIED:  
DIMENSIONS ARE IN INCHES  
TOLERANCES:  
FRACTIONAL ±  
ANGULAR: MACH ± BEND ±  
TWO PLACE DECIMAL ±  
THREE PLACE DECIMAL ±  
INTERPRET GEOMETRIC TOLERANCING PER:  
MATERIAL CRS  
FINISH POWDER COAT  
DO NOT SCALE DRAWING



NAME	DATE	TITLE:
AX.Dwg	9/20/2016	DISPLAYPORT FEMALE TO FEMALE ADAPTER
DRAWN	ENG APPR.	CHECKED
COMMENTS:		
SIZE	DWG. NO.	REV
B	VA-DP-CPL	A
SCALE: 1:1	SHEET 1 OF 1	