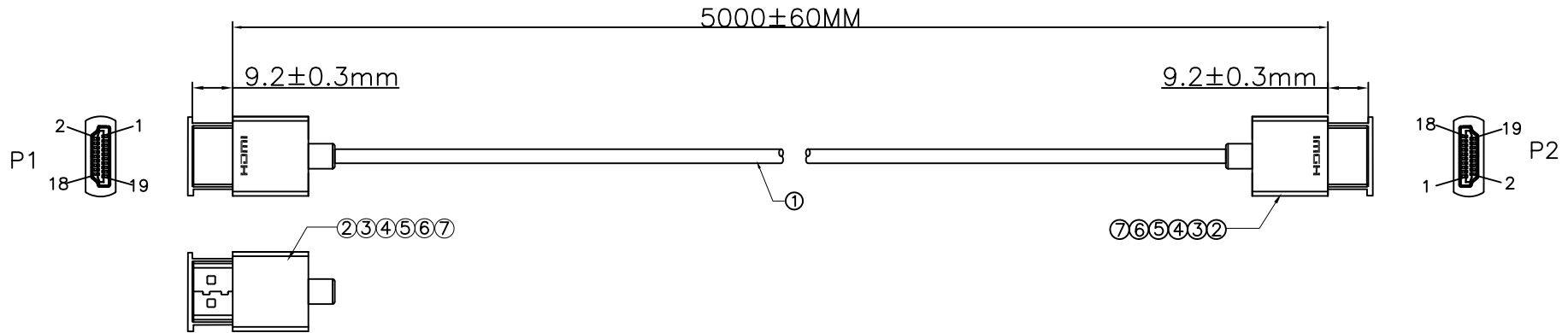


REVISIONS		
Rev	DESCRIPTION	DATE
A	INITIAL RELEASE	11/17/2017



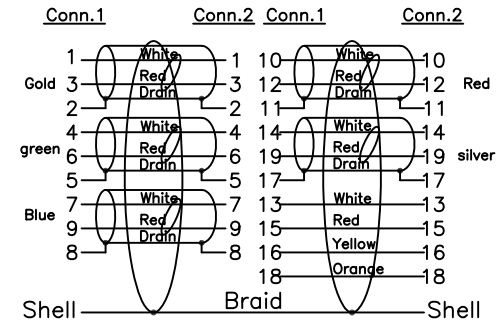
ELECTRICAL TEST :

- 1.100% OPEN & SHORT & MIS WIRE TEST
- 2.CONTACT RESISTANCE: 4 OHM(MAX)
- 3.INSULATION RESISTANCE:10M OHM(MIN)
- 4.HI-POT TEST:DC 300V/10ms

PRODUCT SPECIFICATIONS :

- 1.Connector Type: HDMI A MALE TO HDMI A MALE
- 2.Connector Plating and Material:
HDMI A MALE Black Insulation ,Gold Plated Terminal ,Gold Plated Shell.
- 3.Color: Black connectors and Black PVC
- 4.RoHS 2.0: Yes
- 5.Products Support the resolution: 1080P 60Hz
- 6.Cable Specifications:
HDMI1.4~UL20276~[34AWG(7/0.06TC)+EAM]*5P+36AWG(7/0.05TC)*4C+AB(16/9/0.06TC 80%TC)OD:3.6 MM~Black~
Marking:HIGH SPEED HDMI CABLE WITH ETHERNET E342987 AWM STYLE 20276 80 30V VW-1
- 7.Passive Cable Supports TMDS

PIN Assignment



The information contained in this document is the sole property of Black Box Corporation of Pennsylvania. Any reproduction in part or whole without the written permission of Black Box Corp. is prohibited.

©Copyright 2012 Black Box Corporation of Pennsylvania d/b/a Black Box Network Services. All Rights Reserved.

UNLESS OTHERWISE SPECIFIED:
DIMENSIONS ARE IN INCHES
TOLERANCES:
FRACTIONAL ±
ANGULAR: MACH ± BEND ±
TWO PLACE DECIMAL ±
THREE PLACE DECIMAL ±

INTERPRET GEOMETRIC TOLERANCING PER:

MATERIAL: CRS

FINISH: POWDER COAT

DO NOT SCALE DRAWING



NAME	DATE	TITLE:
AXJing	11/17/2017	HDMI A MALE TO HDMI A MALE CABLE L=5M Black
DRAWN		
ENG APPR.		
CHECKED		
COMMENTS:		
SIZE	DWG. NO.	REV
B	VCS-HDMI-005M	A
SCALE: 1:1	SHEET 1 OF 2	