



USER'S GUIDE

Thermal Printer

RP-D10 SERIES

Read this USER'S GUIDE carefully before using the printer.
Keep this USER'S GUIDE in a place where it can be accessed quickly.

Seiko Instruments Inc.

RP-D10 SERIES THERMAL PRINTER USER'S GUIDE

U00131353700	November 2013
U00131353701	April 2014
U00131353702	July 2014
U00131353703	March 2015
U00131353704	June 2015
U00131353705	April 2016
U00131353706	January 2018
U00131353707	November 2019

Copyright ©2013-2019 by Seiko Instruments Inc.

All rights reserved.

The information contained herein is the property of SII and shall not be reproduced in whole or in part without prior written approval of SII.

SII reserves the right to make changes in the specifications and materials contained herein without notice and shall not be responsible for any damages (including consequential) caused by reliance on the materials presented, including but not limited to typographical, arithmetic, and listing errors.

This product is developed as a product for industrial equipment use.

SII ● is a trademark of Seiko Instruments Inc.
Bluetooth® is a registered trademark of Bluetooth SIG, Inc.
All other trademarks are the properties of their respective companies.

Applied to only Bluetooth model:

contains FCC ID: SQK-MBH7BTZXXC2

contains IC: 337L-MBH7BTZXXC2

Applicable EC Directive and Standards

Product:	Thermal Printer RP-D10-K27J2-B (with AC adapter PW-E2427-W1)
Directive:	Title
2014/53/EU	Radio Equipment Directive
2011/65/EU	(Commission Delegated Directive (EU) 2015/863) Restriction of the use of certain hazardous substances (RoHS) Directive

Standards

EN 301 489-1
EN 301 489-17
EN 300 328
EN 60950-1
EN 50581



Product:	Thermal Printer RP-D10 (with AC adapter PW-E2427-W1)
Directive:	Title
2014/30/EU	EC Electromagnetic Compatibility Directive
2014/35/EU	EC Low Voltage Directive (with AC adapter only)
2011/65/EU	(Commission Delegated Directive (EU) 2015/863) Restriction of the use of certain hazardous substances (RoHS) Directive

Standards

EN 55032
EN 61000-3-2
EN 61000-3-3
EN 55024
EN 60950-1 (with AC adapter only)
EN 50581

Product: AC adapter PW-E2427-W1

<u>Directive:</u>	<u>Title</u>
2014/30/EU	EC Electromagnetic Compatibility Directive
2014/35/EU	EC Low Voltage Directive
2011/65/EU	(Commission Delegated Directive (EU) 2015/863) Restriction of the use of certain hazardous substances (RoHS) Directive

Standards

- EN 55032
- EN 61000-3-2
- EN 61000-3-3
- EN 55024
- EN 60950-1
- EN 50581

Federal Communications Commission (FCC) compliance statement

This equipment has been tested and found to comply with the limits for a Class A digital device, pursuant to part 15 of the FCC Rules. These limits are designed to provide reasonable protection against harmful interference when the equipment is operated in a commercial environment.

This equipment generates, uses, and can radiate radio frequency energy and, if not installed and used in accordance with the instruction manual, may cause harmful interference to radio communications. Operation of this equipment in a residential area is likely to cause harmful interference in which case the user will be required to correct the interference at his own expense.

Industry Canada (IC) compliance statement

This device complies with Industry Canada licence-exempt RSS standard(s).

Operation is subject to the following two conditions: (1) this device may not cause interference, and (2) this device must accept any interference, including interference that may cause undesired operation of the device.

1. INTRODUCTION

This manual describes how to handle RP-D10 thermal printer (hereinafter referred to as the printer), AC adapter, AC cable, and other accessories.

Read through the "2. SAFETY PRECAUTIONS" and "3. OPERATING PRECAUTIONS" carefully before using the products, and handle them safely and properly.

Keep this manual in a place where it can be accessed quickly.



See "RP-D10 SERIES THERMAL PRINTER TECHNICAL REFERENCE" for more detailed function and specifications on the printer.

This manual consists of the following sections.

1. INTRODUCTION	1
2. SAFETY PRECAUTIONS	2
3. OPERATING PRECAUTIONS	5
4. PREPARATION	8
5. IDENTIFYING THE MODEL TYPE	10
6. EACH PART OF PRINTER	11
7. POWER CONNECTION	14
8. THERMAL PAPER SETTING	15
9. PREVENTION AND TREATMENT OF PAPER JAM	20
10. TEST PRINT	22
11. FUNCTION SETTINGS	23
12. CONNECTING TO THE HOST DEVICE	24
13. SETTINGS WHEN USING 58mm PAPER WIDTH	28
14. INSTALLATION OF ACCESSORIES	31
15. PRINTER MAINTENANCE	36
16. TROUBLESHOOTING	37
17. SPECIFICATIONS	38
18. ACCESSORIES AND CONSUMABLE PARTS	41

2. SAFETY PRECAUTIONS

In this SAFETY PRECAUTIONS, the following symbols are used to ensure safe and proper use of products and prevent from damaging devices.

 WARNING	Failure to follow the instructions marked with this symbol could result in severe personal injury or death.
 CAUTION	Failure to follow the instructions marked with this symbol could result in minor personal injury or property damage.

About symbols



The symbol indicates information which you should pay attention to (including danger and warnings).



The symbol indicates information about prohibited procedures.



indicates "Disassembly is prohibited."






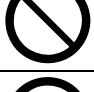








The symbol indicates information about obligated or instructed procedures.

indicates "Unplug the power plug from an outlet."



OPERATING PRECAUTIONS

WARNING

Never attempt the followings. Failure to follow the instructions leads to fire, electric shock, or accident.	
	Do not insert any foreign objects such as a piece of metal or any liquid into the products.
	Do not touch the metal parts of the terminal, AC plug, and DC plug. To avoid short circuits, prevent terminals of the products, AC plug, and DC plug from touching any conductor such as metal.
	Take care not to spill liquid on the products.
	Do not touch the products with wet hands.
	Do not disassemble or reconstruct the products.
	Use the printer only with specified AC adapter and AC cable.
	Do not use an AC adapter at a voltage other than specified.
	Keep the AC plug and the DC plug away from dust and metal objects.
	Make sure the AC plug and DC plug are securely plugged in when using the products.
	Do not damage the AC cable, AC plug, and DC plug. Do not bend, pull, or twist the AC cable forcibly or place heavy stuff on it.
Be sure to observe the following instructions. Failure to follow the instructions may lead to fire, electric shock, or accident.	
	Be sure to use only in countries where the products meet the regulations. Using non-compliant products may endanger the safety of products or be considered against regulations.
	Be sure to hold the plug when unplugging AC cable from an outlet.







Procedures to take when in trouble

Follow the instructions in the following cases. Failure to follow the instructions may lead to fire, electric shock, or accident.

	<p>Turn off the printer and unplug the AC plug from an outlet in any of the following cases with the products:</p> <ul style="list-style-type: none"> ◆ Abnormal status continues. ◆ The printer is giving off an unusual smell, smoke, excessive heat, or an unusual noise. ◆ A piece of metal, water, or other foreign objects get into the printer. ◆ The case is broken.
	<p>When AC cable is damaged, unplug the AC plug from an outlet. Do not use a damaged AC cable.</p>

CAUTION

Observe the following instructions. Failure to follow the instructions may lead fire, electric shock, or accident.

	<p>Turn off the power off and unplug the AC plug from an outlet when not in use for a long time or before maintenance.</p>
	<p>Do not use or store the products in the following locations:</p> <ul style="list-style-type: none"> ◆ Locations exposed to direct sunlight or high temperature. ◆ Locations exposed to high humidity, a lot of dust, and liquid. ◆ Locations subject to strong vibration or unstable locations.
	<p>Do not cover the products with cloth when in use.</p>
	<p>Do not touch the thermal head immediately after printing because it gets hot. Be sure to allow it to cool down before clearing a paper jam or cleaning its head.</p>
	<p>The auto cutter printer has an exposed cutter blade in the paper outlet. Do not insert fingers into printer. Avoid touching the exposed blade while the printer cover is open.</p>
	<p>Keep loose objects such as long hair away from the printer while the printer operates. When they fall into the printer, it may cause personal injury or damage the printer.</p>

3. OPERATING PRECAUTIONS

Be careful of the following precautions and use the products properly in order to deliver and maintain the full performance of the products.

■ Using the Products

- ◆ Be careful not to drop or bump the products on a hard surface.
- ◆ DO NOT install the products in direct sunlight.
- ◆ Be careful about the ambient temperature and humidity.
Suitable environment for the use of the printer is as follows:
 - Range of the temperature: 5°C to 45°C (41°F to 113°F)
 - Range of the humidity: 10%RH to 90%RHRefer to "RP-D10 SERIES THERMAL PRINTER TECHNICAL REFERENCE" for the certifiable humidity range at each temperature.
- ◆ DO NOT install the products near devices that generate strong electromagnetic fields such as a copy machine motor.
- ◆ DO NOT install the products in a location that is subject to corrosive gas, siloxane and so on.
- ◆ DO NOT connect the AC adapter or the AC cable to the same outlet with devices that generate noise.
- ◆ DO NOT open the paper cover during printing or cutting.
- ◆ DO NOT connect or disconnect the interface cable during printing or transmission. DO NOT touch the plug of the interface cable during printing.
- ◆ Turn off the printer when not in use.
In addition, when the printer is not used for a long time, unplug the AC plug from an outlet, and set thermal paper to protect the platen.
- ◆ Clean the products' case using soft, lint-free cloth. DO NOT use alcohol or other solvent.
- ◆ Before using, always clean the terminals using a dry, soft and lint-free cloth. When the terminals are dirty, it may cause contact failure.
- ◆ DO NOT touch the thermal head directly. Doing so may result in poor quality due to the dirt or damage by the static electricity.
- ◆ DO NOT use the thermal head when it is wet. Doing so may damage the printer.
- ◆ When cleaning the thermal head, wipe the thermal head with a cotton swab or other soft material.
- ◆ The AC adapter may get hot when in use. This is normal and is not a malfunction.
- ◆ Using the printer under low temperature environment or printing at a high print rate might cause unclear printing or generate loud sound. This is not a failure in the printer, but an inherent paper phenomenon.
- ◆ When handling the printer, be aware of static electricity. When the static electricity is discharged, this could cause a USB communication failure. When this problem occurs, disconnect the USB plug that is connected to the host device and wait a few seconds before connecting it again.
- ◆ DO NOT print without the thermal paper.

- ◆ DO NOT drop or insert any foreign objects such as clips, pins, and screws into the internal parts or slot of the products.
- ◆ DO NOT drop any liquid or spray a solvent to the products.
- ◆ NEVER use sharp object such as pen tip to push the switch on the operation panel.
- ◆ DO NOT use thermal papers taped together.
- ◆ NEVER pull out the thermal paper when the thermal paper is set.
- ◆ Make sure not to injure your body or other objects by the plate edge.
- ◆ Unplug the AC plug from an outlet when something goes wrong with the printer.
- ◆ NEVER disassemble the printer without a serviceman.
- ◆ Be careful not to get your fingers or hands caught in the printer when opening or closing the paper cover.
- ◆ In order to ensure the function and the safety of the product, be sure to observe the installation direction.
- ◆ DO NOT connect the RJ connector to a phone line. It should be used as the drawer kick connector.
- ◆ NEVER connect a USB cable to the RJ connector.
- ◆ The Bluetooth model uses 2.4GHz frequency range, so if Bluetooth is used around any equipment with the same frequency range such as wireless LAN (IEEE802.11b/g/n) and microwave oven, radio frequency interference may occur and the communication may become unstable. When it happens, turn off the interfering equipment or increase the distance. In addition, shorten the distance between the host device and the printer as much as possible.
- ◆ As the plated sheet steel is used in the printer, the edge face might rust.
- ◆ When moving the printer from the installation site, hold the printer tightly with both hands, then lift it upward slowly to leave the rubber feet from the installation surface. Lifting it rapidly or moving it horizontally may peel the entire rubber feet, peel their surfaces, or damage the outer case.

■ Thermal Paper Handling

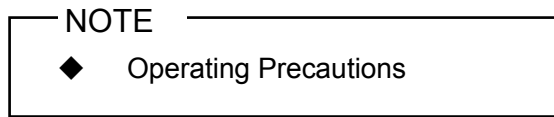
- ◆ Store the thermal paper in a cool, dry, and dark place.
- ◆ DO NOT rub the thermal paper with hard objects.
- ◆ DO NOT leave the thermal paper near organic solvents.
- ◆ DO NOT allow plastic film, erasers, or adhesive tape to touch the thermal paper for long periods.
- ◆ DO NOT stack the thermal paper with diazo copies immediately after copying.
- ◆ DO NOT use chemical glue.
- ◆ Always use the specified thermal paper. See "18. ACCESSORIES AND CONSUMABLE PARTS" for details.

■ Precautions on Discarding

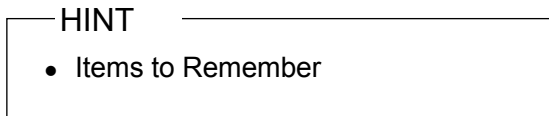
When discarding used products, discard them according to the disposal regulations and rules of each respective district.

■ Notations

The following 2 types of notations are used throughout this manual to denote operating precautions and items to remember besides the symbols shown in "2. SAFETY PRECAUTIONS":



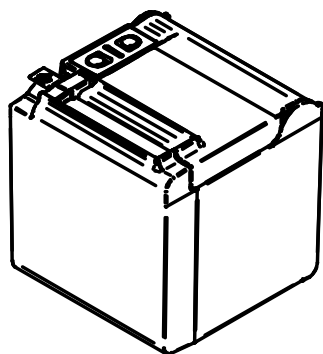
This box contains items that may lead to a malfunction or to a deterioration of performance when not followed.



This box contains helpful hints to remember when using the products.

4. PREPARATION

Make sure that the printer and its accessories are contained.



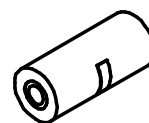
Printer



Safety Precautions



Quick Start Guide



Sample Thermal Paper



Partition Plate R



Partition Plate L

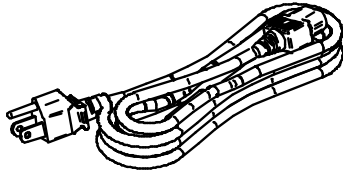
Models including the AC adapter, AC cable, and interface cable are also available.

Keep the package and packing materials for future transportation or long-term storage.

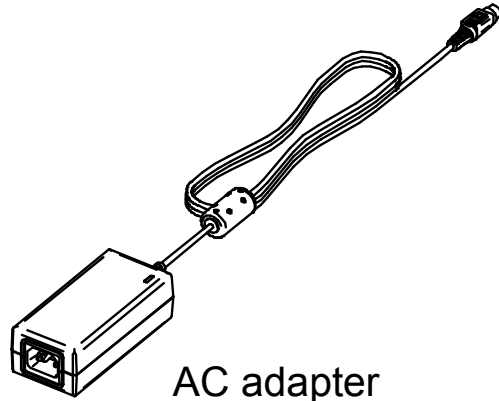
The available accessories are shown below.

See "17 SPECIFICATIONS" and "18 ACCESSORIES AND CONSUMABLE PARTS", and be sure to purchase our specified products listed on these references.

See "5. IDENTIFYING THE MODEL TYPE" for the models which include accessories.



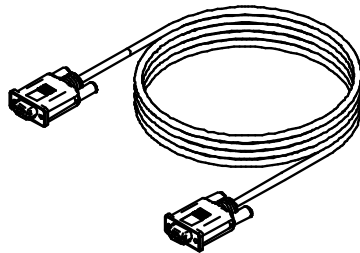
AC cable
(the figure shows CB-US05-20A)



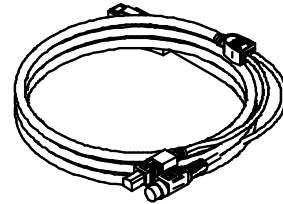
AC adapter



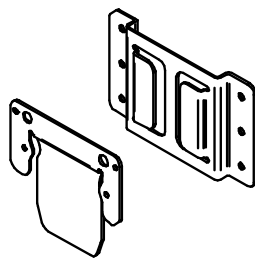
USB cable



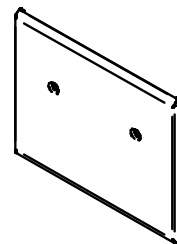
Serial cable



Powered USB cable



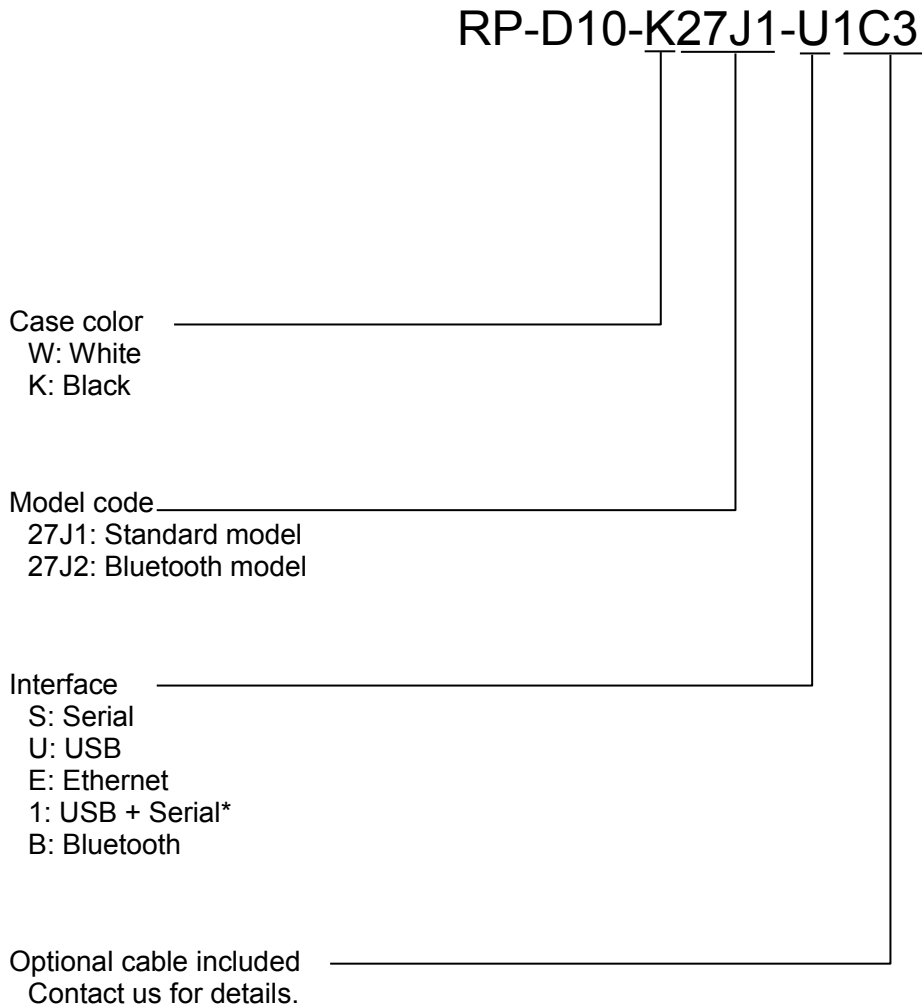
Wall mounting kit



Back plate

5. IDENTIFYING THE MODEL TYPE

The printer model is identified as follows:

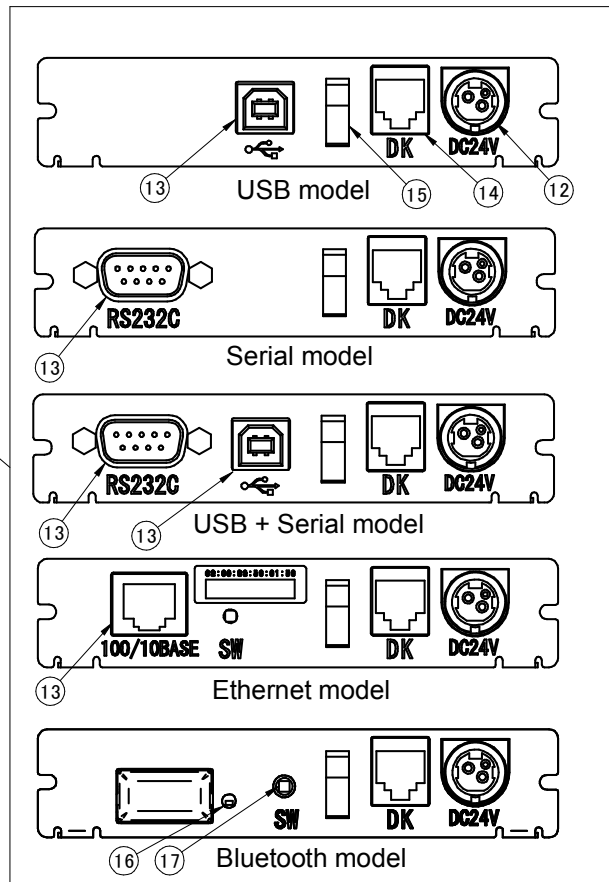
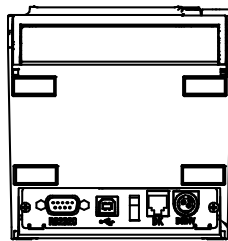
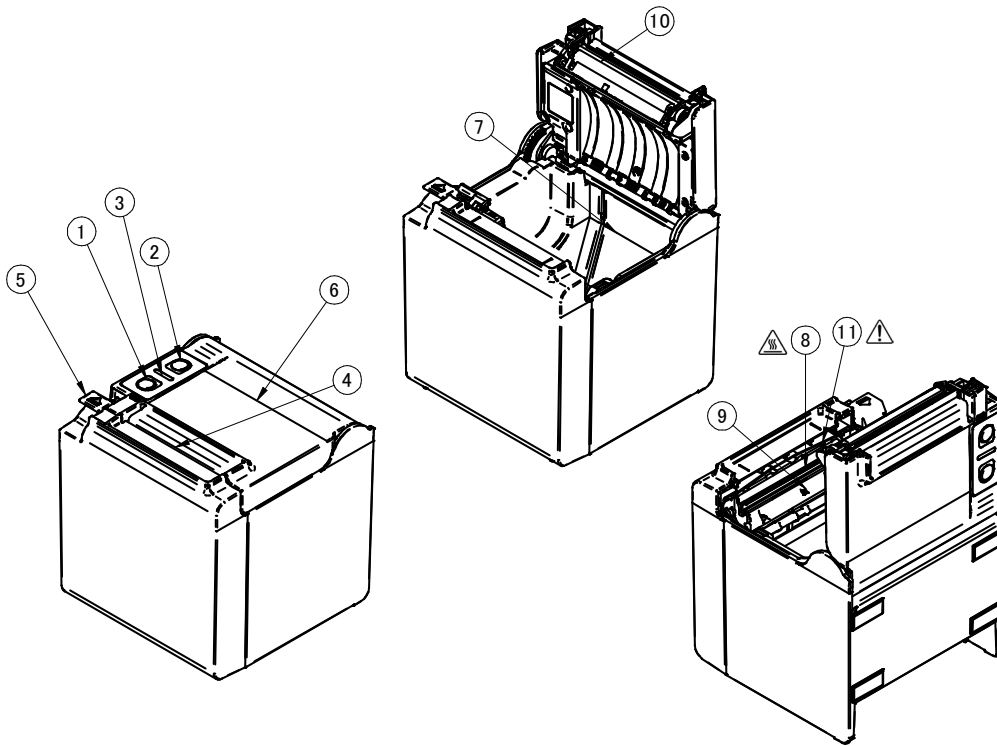


*: Serial with power supply pins.

When the printer is incorporated into your equipment and then supplied electric power from the equipment, follow the rated value of input voltage for RP-D10 described in the specifications of "17. SPECIFICATIONS", and "2.3 POWER SUPPLY SPECIFICATIONS" in "RP-D10 SERIES THERMAL PRINTER TECHNICAL REFERENCE".

When using a power supply other than the specified AC adapter, use a power supply at your own risk under the safety standard and EMC regulations.

6. EACH PART OF PRINTER



1 POWER Switch

The POWER Switch turns on or off the printer. The LED lights when turning on the printer. To turn off the printer, hold down the switch for longer than 3 seconds.

2 FEED Switch

The FEED Switch operates paper feed. When holding down the switch for a few seconds, the printer feeds the thermal paper continuously for the period of held.

3 LED

The LED lights when turning on the printer. See "LED Display" on the next page for details.

4 Paper outlet

Thermal paper is ejected from here. The cutter is attached.

5 Release lever

The lever is used to open the paper cover to set the thermal paper. It is also used to open the paper cover when a paper jam occurs.

6 Paper cover

The platen is released from the thermal paper when opening this cover. Open this cover to replace the thermal paper or to clean the thermal head.

7 Paper holder

The paper holder holds the thermal paper.

8 Thermal head

The thermal head prints data on the thermal paper. DO NOT touch the thermal head immediately after printing because it may get hot.

9 Paper sensor

The sensor detects thermal paper presence.

10 Platen

The platen brings the thermal paper into contact with the thermal head. The platen is turned to feed the paper.

11 Cutter

The cutter cuts the thermal paper automatically after printing. Avoid touching the exposed blade while the printer cover is open.

12 Power connector

The AC adapter is connected here.

13 Interface connector

The interface cable is connected here.

14 Drawer kick connector

The connector is for connecting the drawer. Do not connect a phone line.

15 Wire clip

The communication cable can be fixed to prevent it from being unplugged.

16 Bluetooth LED

Connecting status of Bluetooth is displayed here.

17 Pairing switch

The pairing switch is used for pairing with the host device.

■ LED Display

Printer Status	LED (Color)	LED (Lighting Pattern)
Power off	-	Off
Power on (print-ready)	Green ^{*1}	On ^{*1}
Printing	Green	On
Waiting for test print ^{*2}	Green	Blink-2
Output buffer full	Green	Blink-1
Out-of-paper error	Orange	Blink-2
Cover open error	Orange	Blink-1
Hardware error	Red	On
Head temperature error	Red	Blink-1
Voltage error	Red	Blink-2
Cutter error	Red	Blink-3
Rewriting FW	Orange	On

*1: Default value

*2: Valid for Ethernet with firmware version 1.06 or higher.

■ Blink Pattern

Status	Pattern
Blink-1	
Blink-2	
Blink-3	

7. POWER CONNECTION

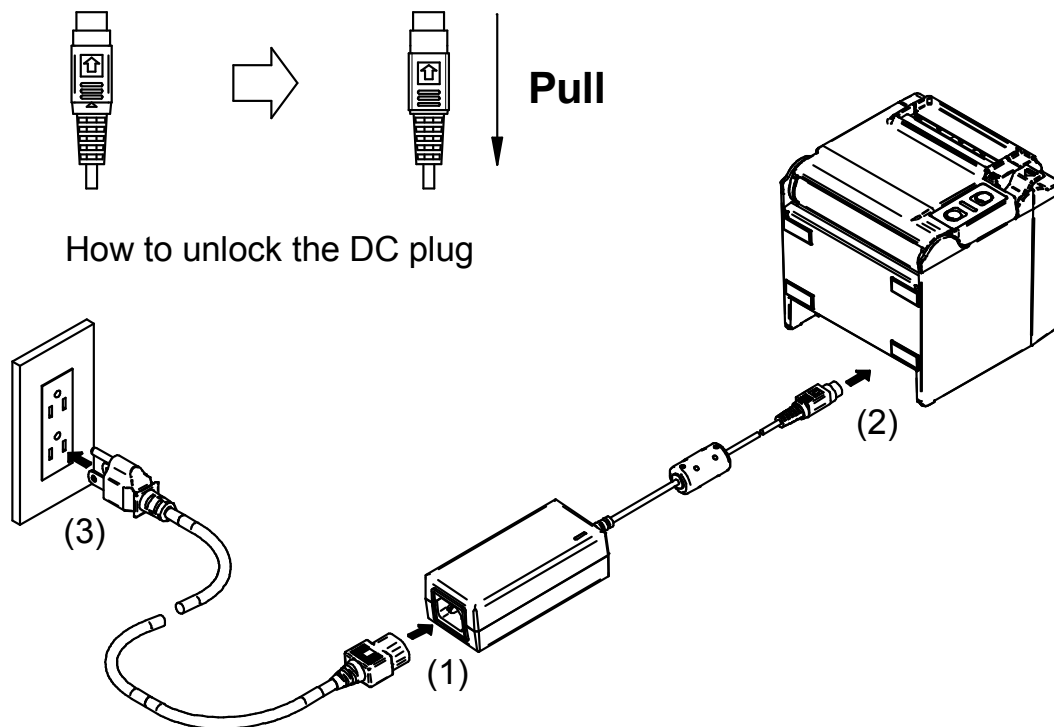
The printer can be powered with an AC adapter.

Be sure to see "17. SPECIFICATIONS" for the AC adapter.

The AC adapter and the AC cable are optional accessories. See "17 SPECIFICATIONS" and "18 ACCESSORIES AND CONSUMABLE PARTS", and be sure to purchase our specified products listed on these references.

■ Connecting the AC Adapter

- (1) Connect the AC cable to the AC adapter.
- (2) Connect the DC plug of the AC adapter to the power connector of the printer.
- (3) Connect the AC plug of the AC cable to an outlet.



NOTE

- ◆ Insert the DC plug into the power connector on the printer correctly. When insert the DC plug forcibly in wrong direction, it may cause damage.
- ◆ The DC plug of the printer power connector has the locking system. Pull the DC plug to the opposite direction of the arrow shown in the front side of the DC plug to unlock. Unlock the DC plug as shown in the figure before disconnecting it.
- ◆ Turn off the printer before installing or removing the AC adapter.
- ◆ When the printer is not used for a long time, unplug the AC cable from an outlet.

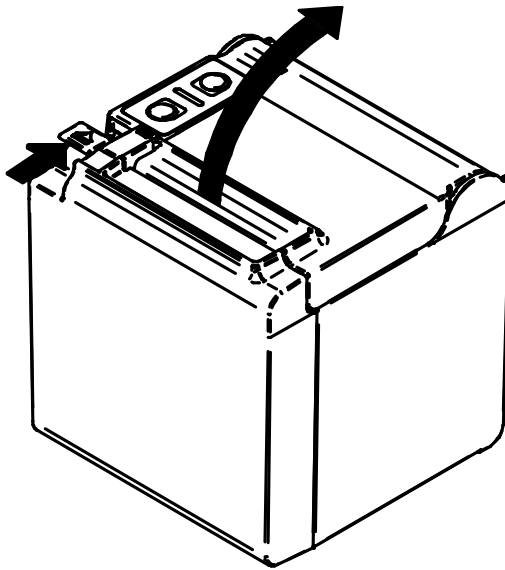
8. THERMAL PAPER SETTING

The printer uses the thermal paper roll (hereinafter referred to as the thermal paper). The function settings of the printer differ depending on the used thermal paper. See "11. FUNCTION SETTINGS" for details.

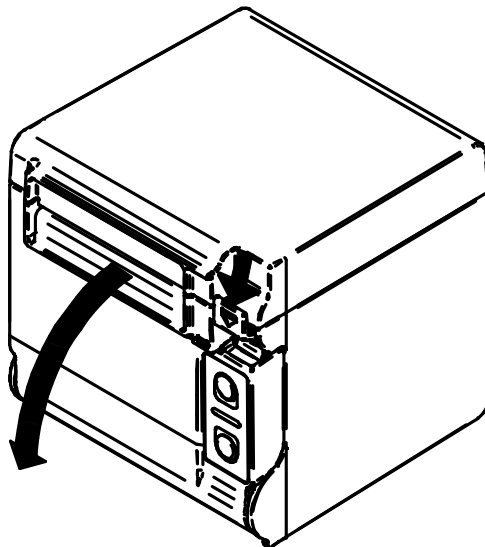
■ Thermal Paper Setting

(1) Operate the release lever to the direction of the arrow shown in the figure below to open the paper cover.

■ Top eject

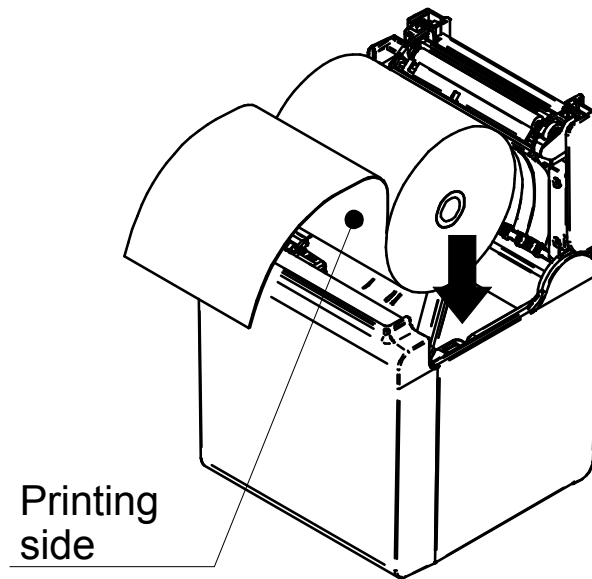


■ Front eject

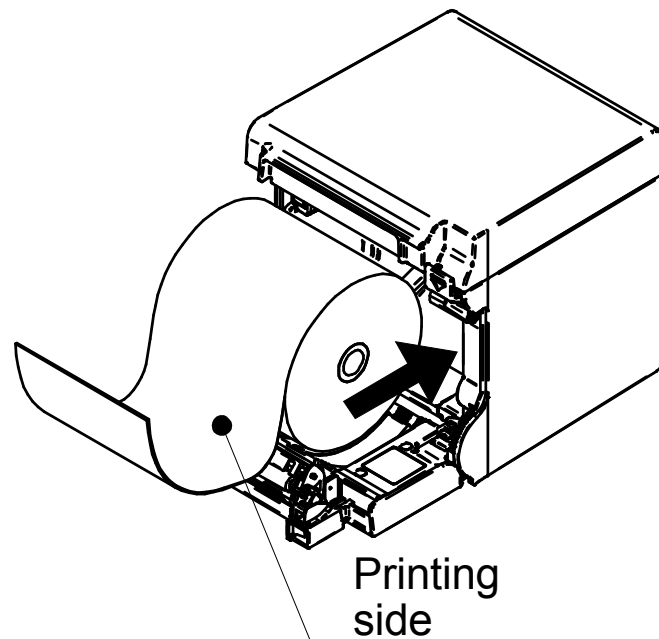


- (2) Take the glued end from the thermal paper.
- (3) Set the thermal paper from directly above to the paper holder. At the time, set the thermal paper direction as shown in the figure below.

■ Top eject



■ Front eject

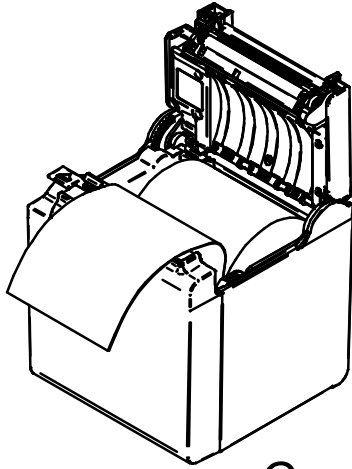


NOTE

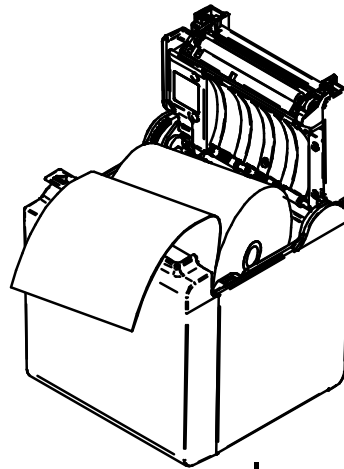
- ◆ Be careful not to cut your fingers by the cutter blade.

(4) Pull the thermal paper straight. Make sure that the thermal paper does not slant.

■ Top eject

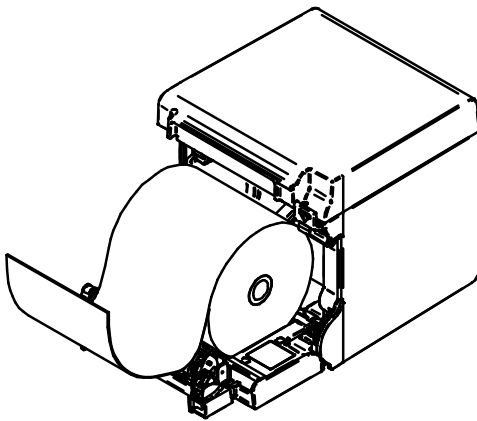


Correct

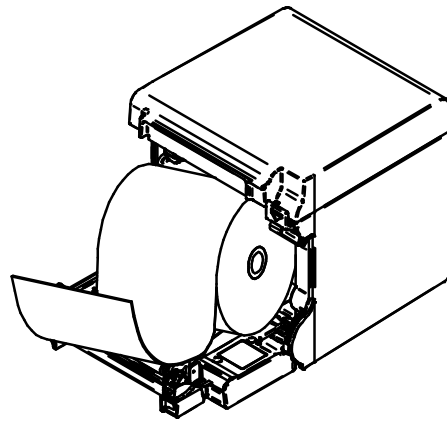


Incorrect

■ Front eject



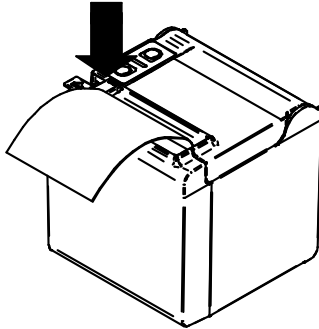
Correct



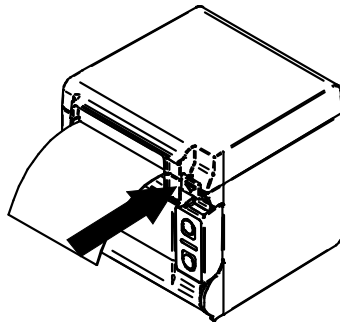
Incorrect

(5) Push firmly the part indicated by the arrow in the figure below to close the paper cover to avoid one side lock defect.

■ Top eject



■ Front eject



NOTE

- ◆ Pull the thermal paper straight.
- ◆ Push the paper cover firmly to close and avoid one side lock defect.

(6) After closing the paper cover, paper feed and paper cutting are performed automatically.

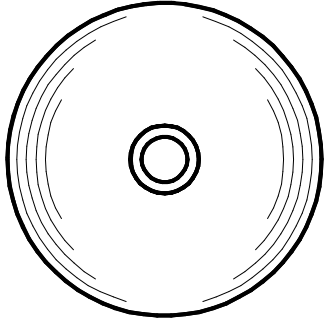
NOTE

- ◆ Be sure to operate the release lever to the end. When not, the paper cover may not open.
- ◆ DO NOT cover the paper outlet or hold down the thermal paper ejected. Doing so may cause a paper jam.
- ◆ DO NOT touch the platen and gears in the printer. Doing so may cause loss of printing quality or damage.
- ◆ Use the thermal paper whose roll core has 12 mm inside diameter and 18 mm outside diameter. Moreover, DO NOT use the thermal paper with glued or taped end.

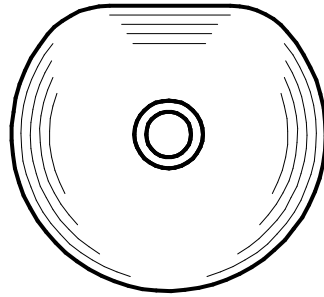
HINT

- Leaving the printer with the thermal paper for a long time may cause a paper-feeding problem because the surface of the thermal paper sticks to the thermal head due to the environmental changes. In that case, open the paper cover to separate the thermal paper from the thermal head, and then close the paper cover before use.

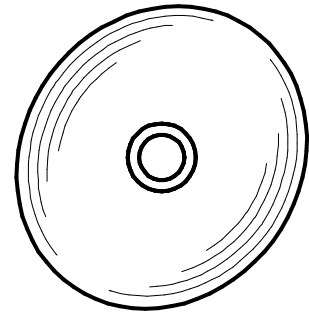
■ Thermal Paper Shape



Correct



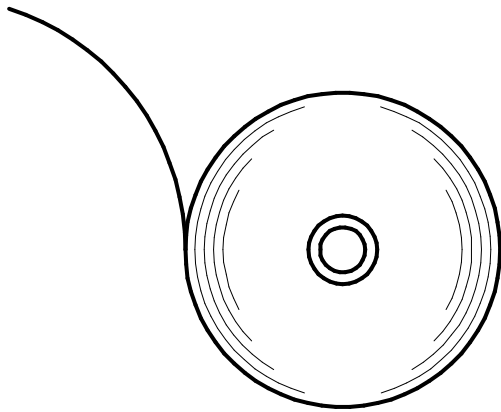
Incorrect



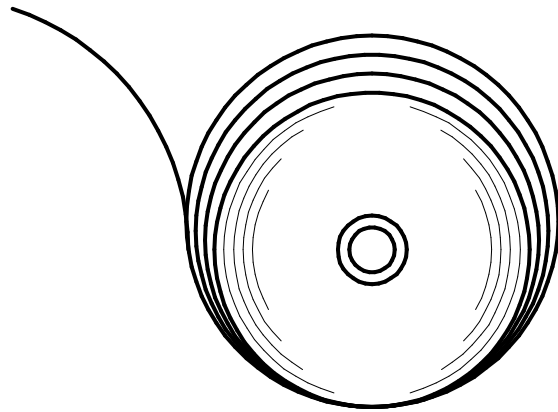
Incorrect

NOTE

- ◆ DO NOT use deformed thermal paper. Doing so cause the printer damaged.



Correct



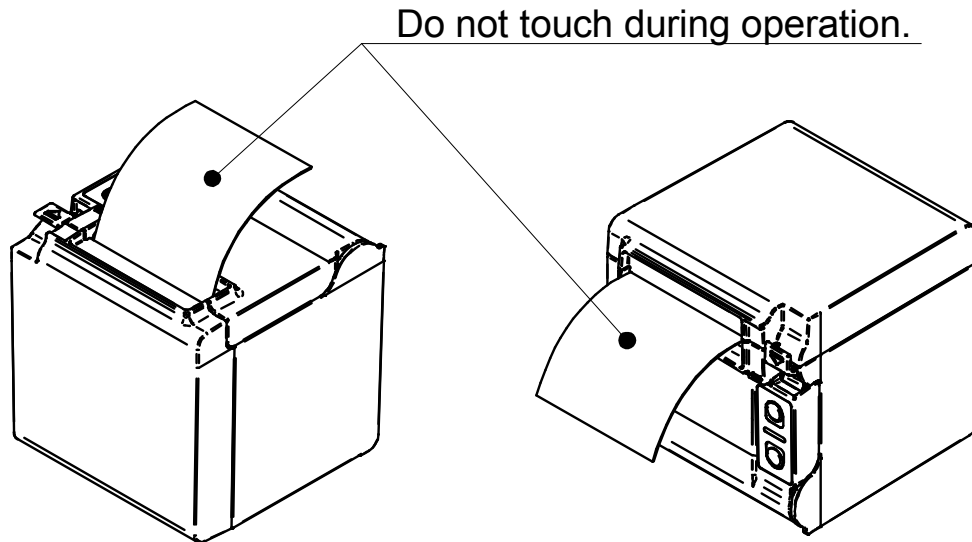
Incorrect

NOTE

- ◆ In case of using loosened thermal paper roll, rewind the roll before using it.

9. PREVENTION AND TREATMENT OF PAPER JAM

Do not touch the thermal paper while the paper is being ejected or before it is cut. Covering the paper outlet or pulling out the thermal paper during paper ejection may cause a paper jam, cut failure, or line feed failure. Never open the paper cover during paper cutting.



■ Removing Paper Jam

When a paper jam occurs, remove the thermal paper according to the following procedure.

- (1) Turn off the printer.
- (2) Operate the release lever to open the paper cover, and remove the paper jam.

NOTE

- ◆ Do not damage the printer when removing the thermal paper.
Especially, do not touch the thermal head because it is easy to break.

- (3) Set the thermal paper straight and then close the paper cover gently.
- (4) Turn on the printer.
- (5) When the printer is recovered, the LED lights in green.

NOTE

- ◆ DO NOT touch the thermal head immediately after printing because it may get hot.

■ Cutter Error Treatment

When the motor is locked during paper cutting due to a cutter error and the paper cover does not open, recover the printer according to the following procedure.

- (1) Turn off the printer.

NOTE

- ◆ Be sure to turn off the printer before handling a cutter error.

- (2) Operate the release lever repeatedly to the end while holding the paper cover to return the cutter blade to the home position. Then, the paper cover can be opened. When there is a paper jam, remove it.
- (3) Set the thermal paper straight and then close the paper cover gently.
- (4) Turn on the printer.
- (5) When the printer is recovered, the LED lights in green.

NOTE

- ◆ DO NOT use such as ballpoint pens, drivers, and cutter knives to remove a paper jam. Be careful not to damage the printer. Especially, do not touch the thermal head because it is easy to break.
- ◆ Be careful not to cut your fingers or be injured by the cutter blade.
- ◆ DO NOT apply excessive force on the cutter blade.

10. TEST PRINT

The printer can perform a test print.

In the test print, the firmware version, setting values of function settings, etc. are printed.

- (1) Install thermal paper in the printer as instructed in "8. THERMAL PAPER SETTING". Ensure that no error occurs, and then turn off the printer.
- (2) Press the POWER Switch while holding down the FEED Switch. Release the POWER Switch first. When the test print is started, release the FEED Switch.
- (3) After the test print, the printer cuts the paper and returns to the print-ready status.

```
RP series Interface
RP-D10 [ Ver X.XX ]
DD, MMM, YYYY
Copyright (C):SII

* MS1 *
4) Standby LED:Green
7) Auto Activation by AC:Enable
8) Power SW:Enable

* MS2 *
1-2) Buzzer Count:None
3-4) Buzzer Pattern:Pattern1
5) Buzzer Volume:Loud

* MS3 *
1-2) Buzzer Count:None
3-4) Buzzer Pattern:Pattern1
5) Buzzer Volume:Loud

* MS4 *
1-2) Division Method:288[dots]
3) Head Drive:Dynamic
4) Paper Width:80mm
5) Effective Dots:576[dots]
7-8) Print Speed:High

* MS5 *
1) Auto Status Back:Enable
2) Init.Response:Enable
3) Error Through:Enable
4) Response Data Discarding:Disable
6-7) Paper Set Handle:Standard
8) Cutting Method:Full

* MS6 *
1-8) Print Density:100%

* MS7 *
1-8) Thermal Paper:KT 48 FA

* MS13 *
1) Kanji Code:JIS Code
2) Reverse Function:Disable
3) Realtime Command:Enable

* MS17 *
1-2) Paper Saving:Disable

* Communication Type *
USB Communication
Control Model:RP-D10
USB Device Class:Printer

* Font Information *
JIS X 0208-1997 Font Exist
Gaiji Font enable
Down-load Font enable
Character Code Table:Code Page437
International Character:USA

* Serial Number Information *
XXXXXXXXXX
XXXXXXXXXX
```

11. FUNCTION SETTINGS

Various functions, such as the communication method after the power on and the type of thermal paper, can be preset to this printer. Set these functions before using the printer.

The function settings of the printer are stored in the FLASH memory. They are effective until rewriting them again. These functions can be set by using the Memory Switch (hereinafter referred to as MS) MS1 to 7, 13, 15 to 17, 39 to 40.

See "RP-D10 SERIES THERMAL PRINTER TECHNICAL REFERENCE" for details.

12. CONNECTING TO THE HOST DEVICE

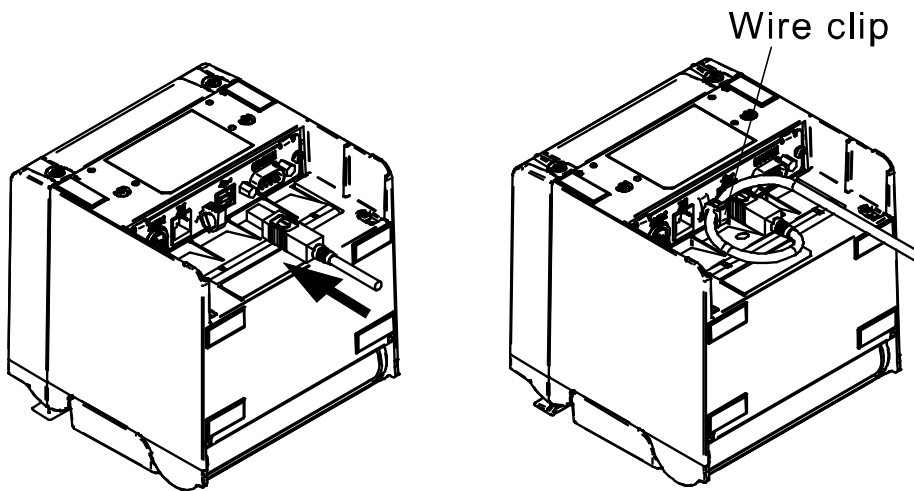
There are 5 models in the printer: serial, USB, USB + Serial, Ethernet and Bluetooth model. The Function Settings of the printer differs depending on the communication method to be used. See "RP-D10 SERIES THERMAL PRINTER TECHNICAL REFERENCE" for details.

An interface cable is required separately for the serial communication, USB communication or Ethernet communication. See "17. SPECIFICATIONS" for details of interface specifications.

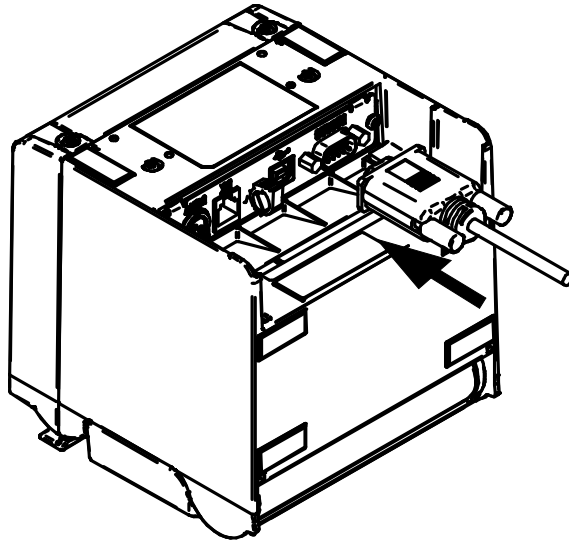
The communication speed might be reduced depending on data processing by software or print contents.

■ Serial/USB/Ethernet Communication

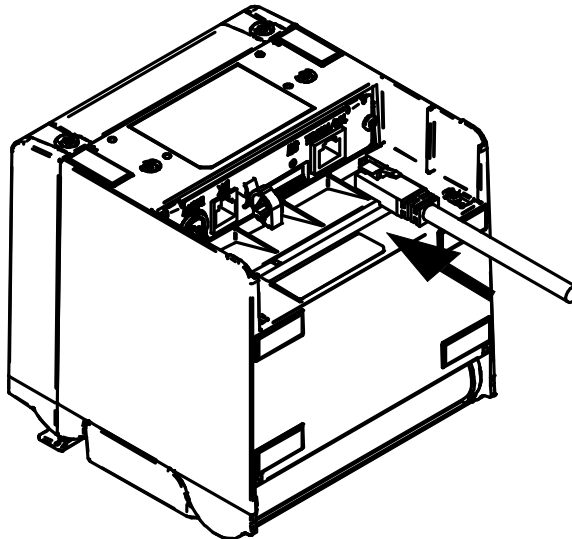
- (1) Turn off the printer.
- (2) Connect the interface cable to use to the interface connector on the back side of the printer.
(When connecting a USB cable, lock the cable with the wire clip as shown in the figure below.)
- (3) Turn on the printer and send data from the host device to the printer.
- (4) Verify that the data is printed correctly.



USB Interface Cable and Locking of USB Cable



Serial Interface Cable



Ethernet Interface Cable

NOTE

- ◆ When connecting an interface cable to the interface connector, push it until it clicks.
- ◆ NEVER connect plugs of other cables including drawer kick cable or phone line to the interface connector.
- ◆ When connecting an outdoor aerial-wired LAN cable, be sure to use it through another anti-surge device. Otherwise, the device may be damaged by induced lightning.

■ Bluetooth Communication

- (1) Turn on the printer and pair with the host device.
In the factory shipment state, the printer enters pairing mode for about 60 seconds with Bluetooth LED blinking, by pushing the pairing switch on the back side of the printer for 7 seconds or more. During this period, pair with the host device.
The pairing is conducted by SSP (Simple Secure Pairing), however, PIN code is used when the host device does not support SSP. The PIN code is "0000" at the shipping.
- (2) Conduct Bluetooth connection with the host device.
After the connection is established, the Bluetooth LED lights up.
- (3) Check the communication status on the host device.
- (4) Transmit data from the host device, and verify that the data is printed correctly.



WARNING

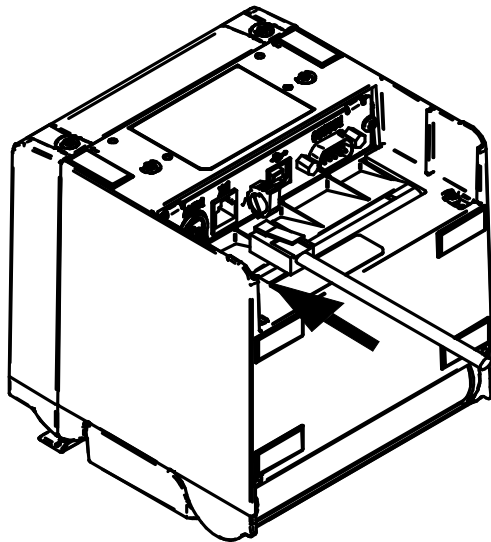
- ◆ The printer may affect medical or other electronic devices. Obtain information and data concerning influence due to radio interference from the respective manufacturers or dealers.
- ◆ When using the printer in medical institutions, follow their guidelines.
- ◆ DO NOT use the printer in any area or district where its use is prohibited.

HINT

- The distance of communication is approx. 10 m. However, the distance may differ depending on the radio interference and environment.

■ Connecting to the Drawer

- (1) Turn off the printer.
- (2) Connect the plug of drawer kick cable to the drawer kick connector on the back side of the printer.
- (3) Turn on the printer.

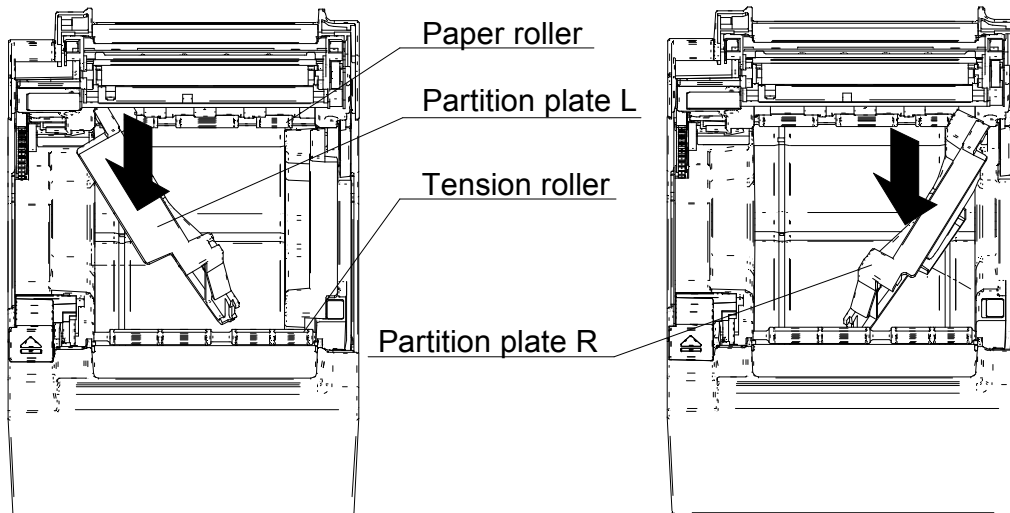


NOTE

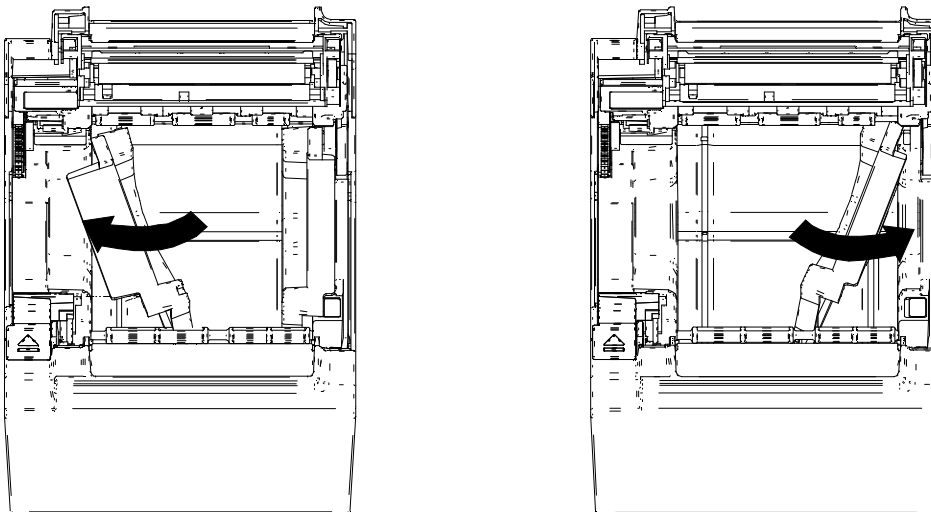
- ◆ When connecting or disconnecting the drawer kick cable, hold the plug and never pull the cable.
- ◆ DO NOT connect other cables than a drawer kick cable to the drawer kick connector, such as phone line.
- ◆ NEVER connect a USB cable to the drawer kick connector.

13. SETTINGS WHEN USING 58mm PAPER WIDTH

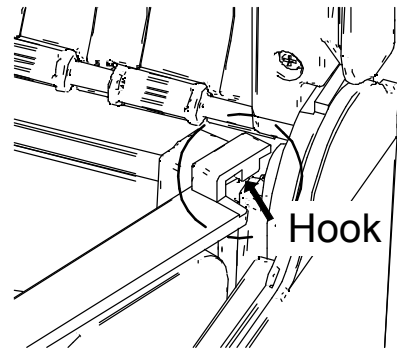
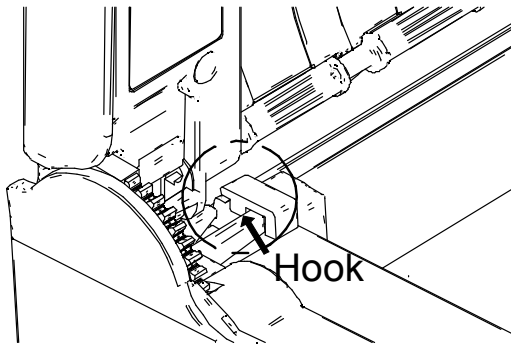
- (1) Turn off the printer.
- (2) Operate the release lever to open the paper cover.
- (3) Put the attached partition plate R or partition plate L into the paper holder with slanting position as shown in the figure below.



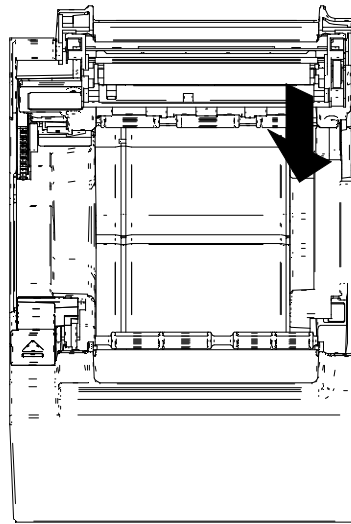
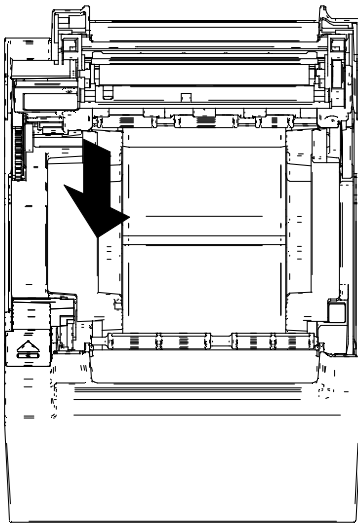
- (4) Rotate the partition plate R or partition plate L within the paper holder in the direction of the arrow shown in the figure below to make the side surface of the paper holder and the partition plate in parallel.



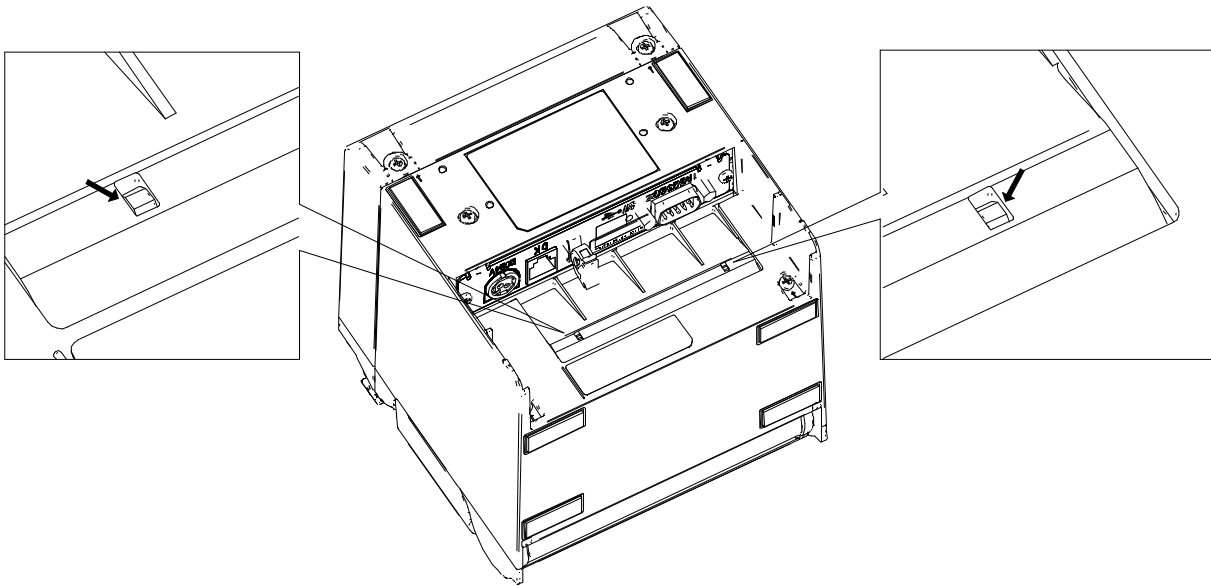
- (5) Put the hook which is located on the upper side of the partition plate R or partition plate L on the hole of paper holder as shown in the figure below.



- (6) Push the partition plate R or partition plate L to the direction of the arrow shown in the figure below with placing them along the side surface of the paper holder, and then put the projection which is located at the bottom of the partition plate in the hole of the paper holder.



- (7) Turn the printer over, and make sure that the projection of the partition plate R or partition plate L is fit properly into the hole of the paper holder (the arrow shown in the figure below).



See "RP-D10 SERIES THERMAL PRINTER TECHNICAL REFERENCE" to set the MS4-4 (Paper Width Selection) to 58 mm.

NOTE

- ◆ Set the paper width before using the printer for the first time. Do not change the paper width after starting to use the printer. Doing so may damage the printer.
- ◆ Do not push or pull the tension roller strongly.
- ◆ When the 58 mm width thermal paper is used, rubber crumbs of the platen may be generated because the platen contacts with the thermal head. Remove rubber crumbs regularly to maintain printing quality.

14. INSTALLATION OF ACCESSORIES

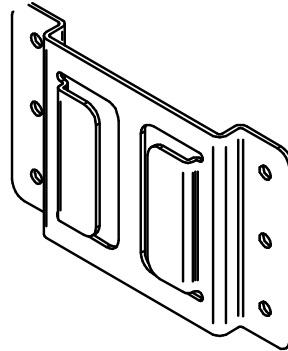
■ Wall Mounting Kit (WLK-B01-1)

(1) Preparation

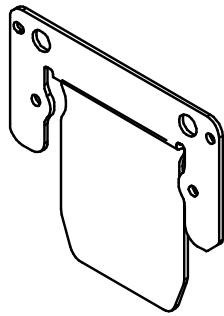
Make sure that the product and its accessories are contained.



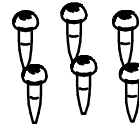
Printer attachment screw
(4 pieces)
(Tapping screw 3×6)



Wall hanging bracket



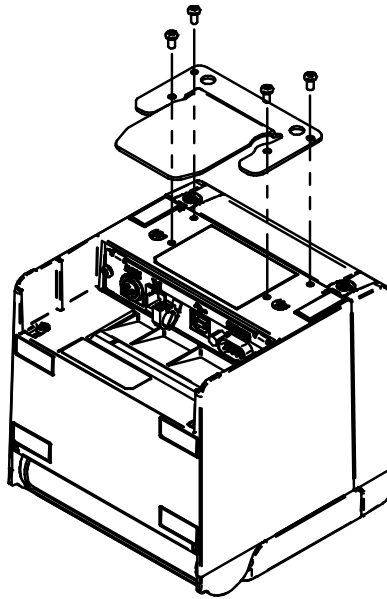
Printer bracket



Wall hanging bracket
attachment screw
(6 pieces)
(Wood screw 3.8×18)

(2) Installation of Printer Bracket

Firmly attach printer bracket with 4 printer attachment screws as shown in the figure below. The tightening torque should be 39.2 cN•m (4 kgf•cm).



NOTE

- ◆ Turn off the printer before the operation.
- ◆ Remove the AC cable of the AC adapter and the interface cable.

(3) Installation of Wall Hanging Bracket

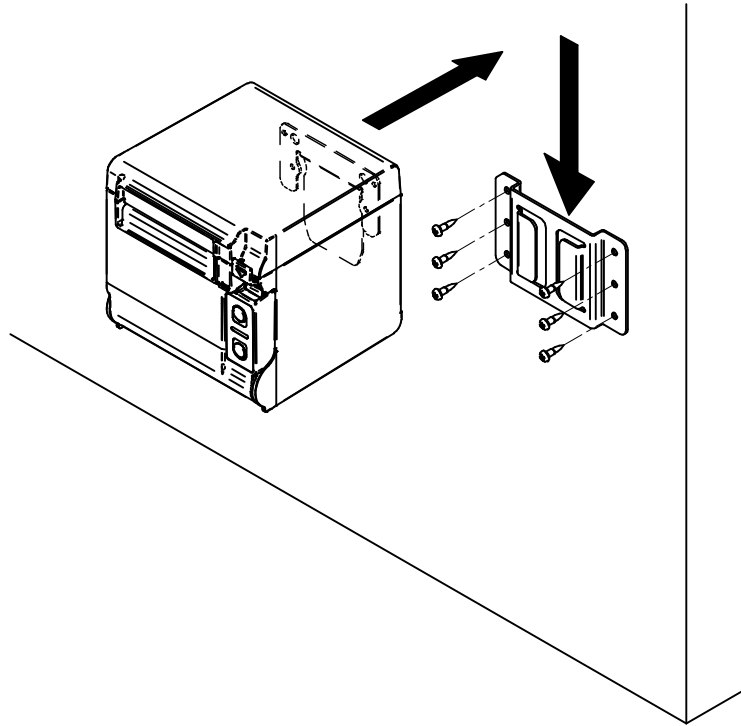
Fix the wall hanging bracket to the mounting surface, and then fix it firmly with 6 wall hanging bracket attachment screws. WLK-B01-1 is designed to be installed on a wall. After installation, make sure that the wall hanging bracket is fixed on the wall securely without rattle.

NOTE

- ◆ The accompanying wall hanging bracket attachment screws are for installing to wood materials. Do not use them for other materials.

(4) Installation of the Printer

Slide the printer into the wall hanging bracket from the top to the bottom to insert the printer bracket into the wall hanging bracket, as shown in the figure below.



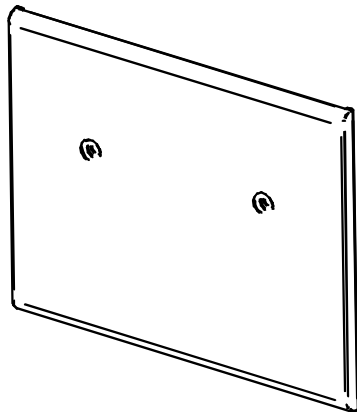
NOTE

- ◆ Check the place and the material/structure of the wall, and then install the printer securely. Injury or destruction of property might occur by dropping off.

■ Back Plate (BCP-A01-K (Black), BCP-A01-W (White))

(1) Preparation

Make sure that the back plate and its accessories are contained.



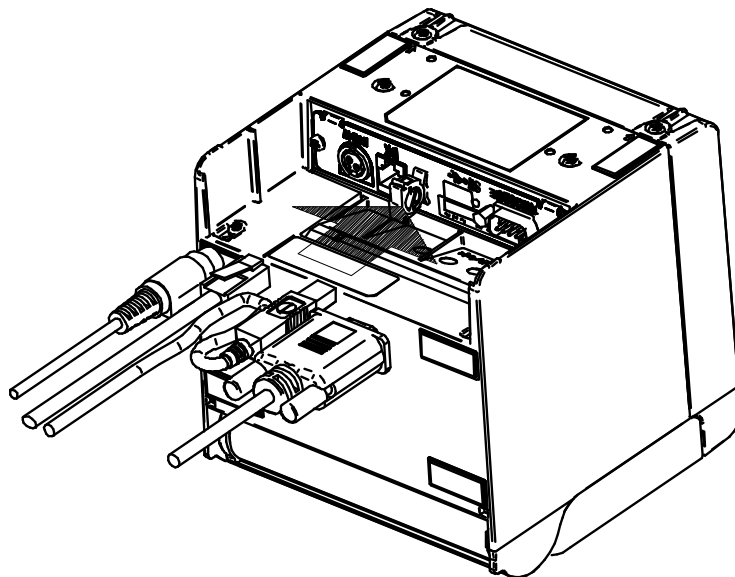
Back plate



Back plate attachment screw
(2 pieces)
(Tapping screw 3×6)

(2) Installation of the cables

Before installing the back plate, connect the DC plug of the AC adapter and the interface cable to the printer.



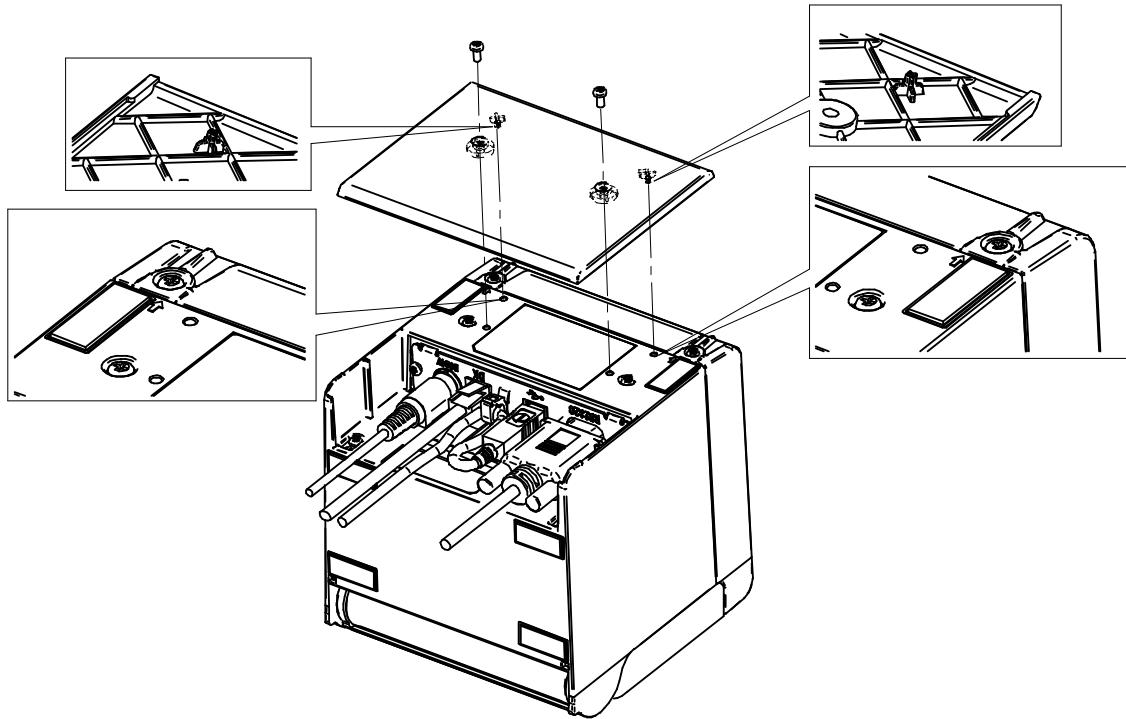
NOTE

- ◆ Turn off the printer before the operation.
- ◆ Perform the operation after removing the AC cable of the AC adapter.

(3) Installation of the back plate

Put the projections which are located at the back of the back plate into the hole of the back side of the printer, and then firmly attach the back plate with 2 printer attachment screws as shown in the figure below.

The tightening torque should be 39.2 cN•m (4 kgf•cm).



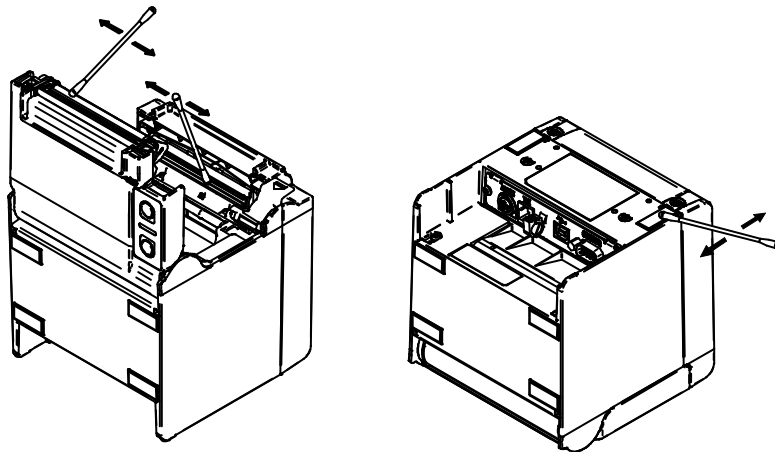
15. PRINTER MAINTENANCE

The thermal head of the printer does not require user maintenance.

When paper powder accumulates, cleaning the thermal head can maintain the printing quality for an extended period of time.

■ Cleaning Thermal Head/Platen/Rubber Feet

- (1) Turn off the printer.
- (2) Unplug the AC plug of the AC adapter from an outlet.
- (3) Open the paper cover.
- (4) Clean the thermal head, the platen, and/or the rubber feet with a cotton swab with a small amount of ethyl alcohol.
- (5) Wait until any ethyl alcohol remaining on the thermal head and the platen dries out completely, and then close the paper cover.



NOTE

- ◆ Clean the thermal head after it cools down.
- ◆ Be sure to wipe the thermal head with a cotton swab or other soft material.
- ◆ DO NOT touch the gear of the platen. Doing so may cause loss of printing quality or a failure.
- ◆ The rubber feet have the special adsorption structure. They lose adsorption force as dust or dirt adheres. However, it can be recovered by cleaning.

16. TROUBLESHOOTING

Check the following points before requesting for repair:

■ The power does not turn on

- Is specified AC adapter being used?
- Are the AC cable and the AC adapter connected correctly?
- Are the AC adapter and the printer connected correctly?

■ The printer does not print

- Is the interface cable connected correctly?
- Are the specifications of interface cable conformed to its specifications of this manual being used?
- Is the communication condition between the printer and the host device correct?
- Is specified thermal paper being used? Is the paper orientation (surface/back) correct?

■ An error is displayed

- See "LED Display" on page 13.
- Are the function settings of the printer correct?

■ AC Adapter Specifications

(Specified accessories)

Item	Specifications
Model	PW-E2427-W1
Input voltage	AC100 to 240 V, 50/60 Hz
Rated output	DC24.0 V, 2.71 A
Dimensions (W × D × H)	53 mm × 114 mm × 37 mm*
Mass	Approx. 330 g

*: Excluding the cable

(Specified accessories)

Item	Specifications
Model	PW-E2427-W2
Input voltage	AC100 to 240 V, 50/60 Hz
Rated output	DC24.0 V, 2.71 A
Dimensions (W × D × H)	53 mm × 114 mm × 37 mm*
Mass	Approx. 330 g

*: Excluding the cable

■ Interface Specifications

Serial interface specifications

Item	Specifications
Synchronization method	Asynchronous
Baud rate	9600, 19200, 38400, 115200 bps
Data length	7 or 8 bits
Parity	None, Even, or Odd
Flow control	Hardware control, Xon/Xoff

USB interface specifications

Item	Specifications
Version	Ver. 2.0
Printer data transmission mode	Bulk transfer (12 Mbps)

Ethernet interface specifications

Item	Specifications
Communication standard	10Base-T, 100Base-TX

Bluetooth interface specifications

Item	Specifications
Version	Ver. 2.1+EDR
Transmission power class	Class 2
Profile	SPP, iAP2

■ Sale Destinations

Sale destinations of the printer and specified accessories are listed below.

Country/Region *1	RP-D10		AC Adapter	AC Cable
	(Bluetooth model)	(Other models)		
Japan	✓	✓	PW-E2427-W1	CB-JP07-20A CB-JP08-20A
EC (except UK), EFTA	✓	✓		CB-CE04-20A CB-CE05-20A
Turkey	-	✓		CB-UK03-20A CB-UK04-20A
UK	✓	✓		
USA Canada	✓	✓	PW-E2427-W2	CB-US05-20A CB-US06-20A
Brazil	-	✓		*2

*1: Ask your SII sales representative when you want to operate the products in other countries/regions than listed above.

*2: Use the AC cable of 2.0 meters long that complies with safety standards in Brazil.

18. ACCESSORIES AND CONSUMABLE PARTS

■ Specified Accessories

Name	Model
AC adapter	PW-E2427-W1 PW-E2427-W2
AC cable*	CB-JP07-20A, CB-JP08-20A CB-US05-20A, CB-US06-20A CB-CE04-20A, CB-CE05-20A CB-UK03-20A, CB-UK04-20A
Wall mounting kit	WLK-B01-1
Back plate (Black)	BCP-A01-K
Back plate (White)	BCP-A01-W
USB cable	IFC-U02-2
Serial cable	IFC-S02-2
Powered USB cable	IFC-V01-1

*: The shape of an outlet differs by country. Confirm it before using.

■ Specified Thermal Paper

Model	Manufacturer
PD160R-N	Oji Paper
F220VP	Mitsubishi Paper Mills
P220VBB-1	Mitsubishi Paper Mills
F5041	Mitsubishi HiTec Paper
KT48FA	Papierfabrik August Koehler
Alpha400-2.1	Appvion

When using thermal paper that is not specified, the printing quality or specified life of the thermal head would not be guaranteed.



Seiko Instruments Inc.
1-8, Nakase, Mihama-ku, Chiba-shi,
Chiba 261-8507, Japan
Print System Division
Telephone:+81-43-211-1106
Facsimile:+81-43-211-8037

Seiko Instruments USA Inc.
Thermal Printer Div.
21221 S. Western Avenue, Suite 250, Torrance, CA 90501, USA
Telephone:+1-310-517-7778 Facsimile:+1-310-517-7779

Seiko Instruments GmbH
Siemensstrasse 9, D-63263 Neu-Isenburg, Germany
Telephone:+49-6102-297-0 Facsimile:+49-6102-297-222
info@seiko-instruments.de

Seiko Instruments (H.K.) Ltd.
4-5/F, Wyler Center 2,200 Tai Lin Pai Road, Kwai Chung, N.T., Kowloon, Hong Kong
Telephone:+852-2494-5160 Facsimile:+852-2424-0901

(Specifications are subject to change without notice.)