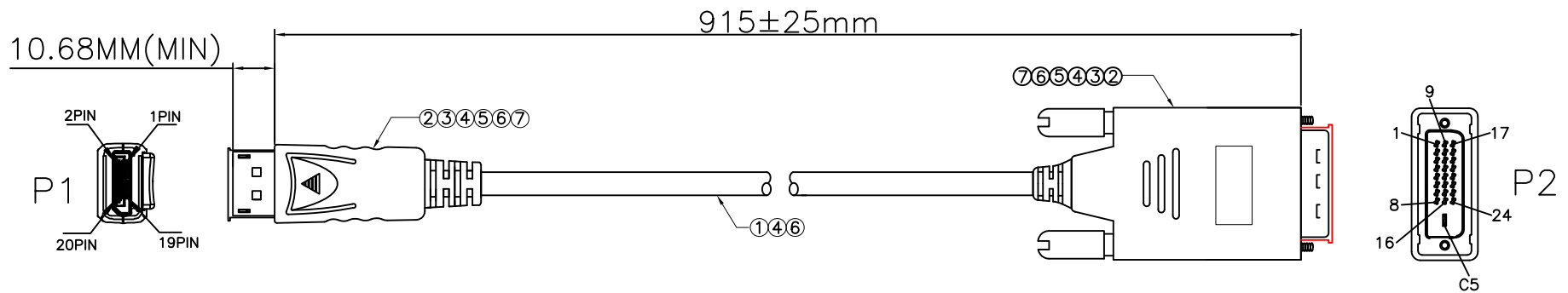


REVISIONS		
Rev	DESCRIPTION	DATE
A	INITIAL RELEASE	05/15/2017



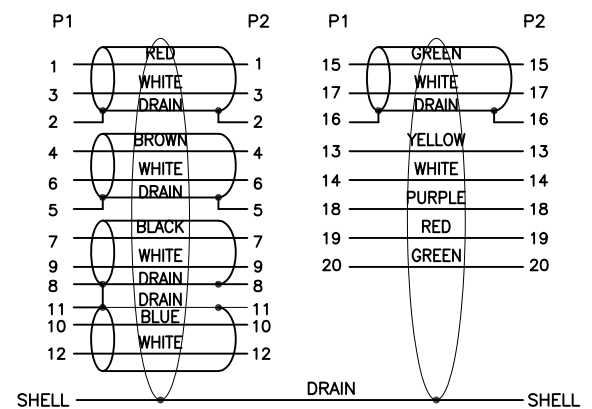
ELECTRICAL TEST :

- 1.100% OPEN & SHORT & MIS WIRE TEST
- 2.CONTACT RESISTANCE: 2 OHM(MAX)
- 3.INSULATION RESISTANCE:10M OHM(MIN)
- 4.HI-POT TEST:DC 300V/10ms
- 5.100% of image Test

PRODUCT SPECIFICATIONS :

- 1.Connector Type: DisplayPort MALE TO DVI MALE
- 2.Connector Plating and Material:
DisplayPort Port M White Insulation ,Gold Plated 3u Terminal ,Gold Plated Shell.
DVI M White Insulation ,Gold Plated Terminal ,Gold Plated Shell.
- 3.Color: Black connectors and Black ABS Shell
- 4.RoHS 2.0: Yes
- 5.Resolution Supported: 1080P 60Hz
- 6.Cable Specifications:
Display Port UL20276~(28AWG*1P+EAM)*5C+28AWG*4C+AEB 85%AL~OD:7.3MM~Black~Marking:DisplayPort cable E342987 AWM STYLE 20276 80C 30V VW-1
- 7.Active Adapter Supports TMDS

PIN Assignment



The information contained in this document is the sole property of Black Box Corporation of Pennsylvania. Any reproduction in part or whole without the written permission of Black Box Corp. is prohibited.
©Copyright 2012 Black Box Corporation of Pennsylvania d/b/a Black Box Network Services. All Rights Reserved.

UNLESS OTHERWISE SPECIFIED: DIMENSIONS ARE IN INCHES TOLERANCES: FRACTIONAL ± ANGULAR: MACH ± BEND ± TWO PLACE DECIMAL ± THREE PLACE DECIMAL ± INTERPRET GEOMETRIC TOLERANCING PER MATERIAL				TITLE: DisplayPort M TO DVI M CABLE L=3FT Black	
DRAWN	NAME			DATE	SIZE
ENG APPR.	AXJ/ing	05/15/2017	B	EVNDP/DVI-0003-MM	
CHECKED	CRS		SCALE: 1:1	REV A	
FINISH	POWDER COAT	COMMENTS:	SHEET 1 OF 2		
DO NOT SCALE DRAWING					