

## DESCRIPTION

The Verifact<sup>®</sup> Models D and D-V are omnidirectional, low impedance, electret condenser microphones with built-in preamp. They can pick up normal sounds approximately 15' away if mounted to a wall, or within a 30' circle if ceiling mounted. The Verifact<sup>®</sup> D microphone is mounted to the back of a single gang stainless face plate. Verifact<sup>®</sup> D-V is designed for correctional facilities, or areas where vandalism is a concern. It contains the identical electronics as the Verifact<sup>®</sup> D Microphones but is mounted to a 16 gauge stainless steel face plate. Microphone opening of Verifact<sup>®</sup> D-V is a hooded audio port for providing protection to the microphone. Tamper proof screws are included with the Verifact<sup>®</sup> D-V.



Verifact<sup>®</sup> D



Verifact<sup>®</sup> D-V

Both Verifact<sup>®</sup> D and D-V fit into a standard single gang electrical box (not supplied).



## SPECIFICATIONS

|                          |                                 |
|--------------------------|---------------------------------|
| ■ Sensitivity            | -45 dBV/Pa<br>1 Pa = 94 dB SPL  |
| ■ Frequency Response     | 50 Hz to 15 kHz                 |
| ■ Output                 | Line Level (0 dBV, 600Ω @ 1kHz) |
| ■ Current Drain          | 10mA                            |
| ■ Supply Voltage         | 12 Vdc                          |
| ■ Microphone Housing     | Stainless faceplate             |
| ■ Dimensions (Faceplate) | 2 3/4" W x 4 1/2" H             |
| ■ Weight                 | D 2.5 oz DV 4 oz                |
| Shipping Weight          | 1 lb                            |

### IMPORTANT NOTICE

When this equipment is used as part of an audio monitoring system, the law requires that the public be given notice of AUDIO MONITORING ON THE PREMISES. A decal notice is included with each microphone shipped.



Federal Law References:  
Federal Regulations, US Code, Title 18.  
Crime and Criminal Procedure, Sec 2510.

## WARRANTY

LOUROE ELECTRONICS<sup>®</sup> warrants that at the time of shipment products manufactured by LOUROE ELECTRONICS<sup>®</sup> to be free of defects in material and workmanship. Should a defect appear within one year (12 months) from date of shipment, LOUROE ELECTRONICS<sup>®</sup> will, at its sole discretion, repair or replace the defective equipment. This equipment shall not be accepted for repair or return without prior notification by LOUROE ELECTRONICS<sup>®</sup>.

This warranty does not extend to any Louroe product that has been subjected to improper or incorrect installation, misuse, accident, or in violation of installation instructions provided by LOUROE ELECTRONICS<sup>®</sup>.

Returned shipments to LOUROE ELECTRONICS<sup>®</sup> shall be at customer's expense. LOUROE ELECTRONICS<sup>®</sup> will return the equipment prepaid via best way.

# INSTALLATION AND OPERATING INSTRUCTIONS

## MECHANICAL INSTALLATION:

Verifact<sup>®</sup> D and D-V microphones are designed to be installed in a single gang electrical box for flush or surface mounting to a wall or ceiling. It should be positioned 3 to 6 ft. from the area of desired coverage. Ceiling heights in excess of 10 ft. should be avoided.

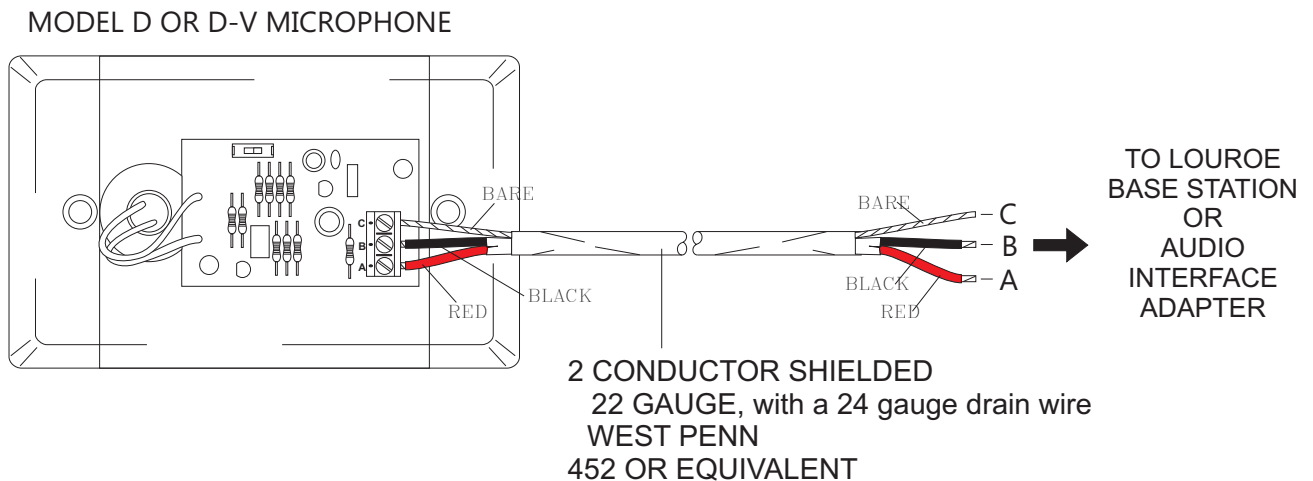
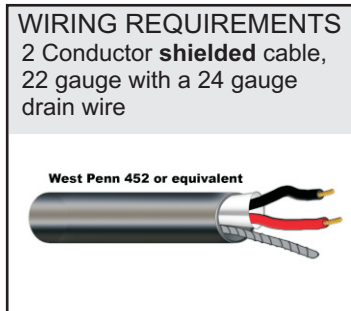
## MICROPHONE CONNECTION:

Verifact<sup>®</sup> D and D-V Microphones connect directly to any Louroe Audio Base Station or to a Louroe Audio Interface (Model IF-1, IF-2, IF-4 and IF-8). A small terminal block is located on the microphone pre-amp, and marked A, B, C.

Using recommended cable, connect as follows:

- Red wire connects to terminal A (+12Vdc)
- Black wire connects to terminal B (audio output)
- Bare wire connects to terminal C (ground)

If using cable from other manufacturers, color code may vary.



## CONNECTING VERIFACT<sup>®</sup> D OR D-V MICROPHONE TO A LOUROE BASE STATION OR AUDIO INTERFACE ADAPTER (IF-1, IF-4 or IF-8)

All Louroe base stations and audio interface adapters have a corresponding terminal block marked A, B C for each audio zone. Bring in other end of cable from the microphone and connect to the terminal block (or blocks) matching

- A to A
- B to B
- C to C

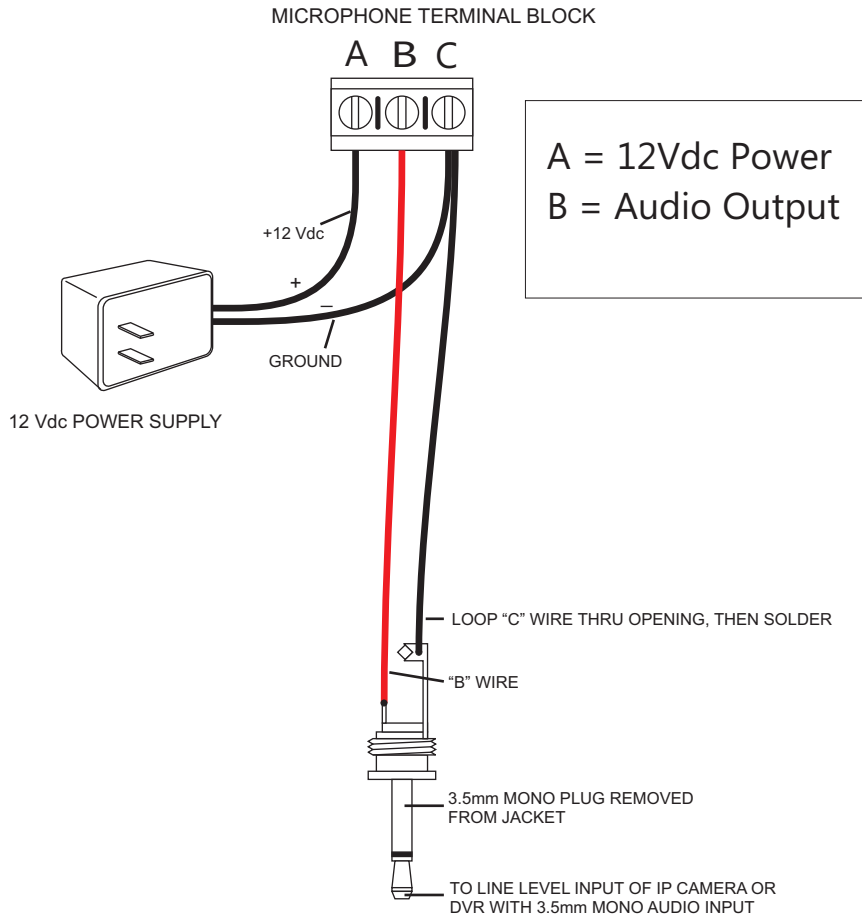
Maximum cable run between microphone and base station/interface adapter is 1,000 ft.

# INSTALLATION AND OPERATING INSTRUCTIONS

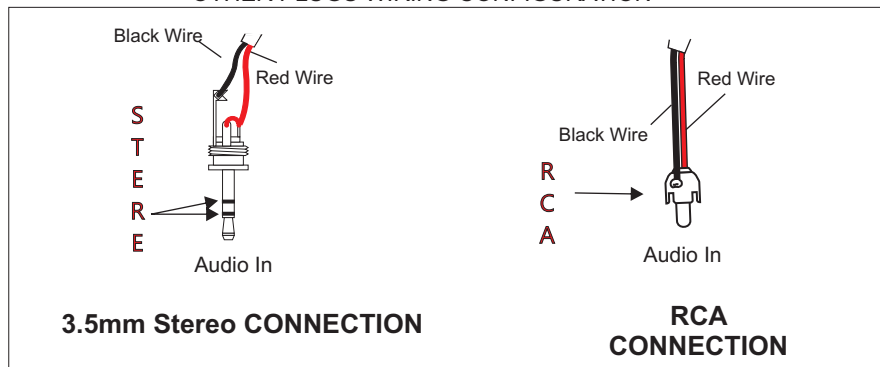
## CONNECTING VERIFACT<sup>®</sup> D OR D-V MICROPHONES TO OTHER AUDIO RECEIVING DEVICES

If a Louroe audio base station or interface adapter is not used and microphone is to be connected directly to another audio receiver, use the following procedure:

1. Apply 12 Vdc power (100mA minimum) to PC board's terminals A and C. A is positive, C is ground.
2. Using a single conductor shielded cable, 22 gauge with a 24 gauge drain wire, connect shielded wire to terminal B and drain wire to terminal C (C is common).
3. Run other end of cable to the audio receiver. If audio input is an RCA connection, solder on an RCA connector with wire from terminal B of microphone going to the tip of the RCA plug, and wire from terminal C going to the sleeve of the plug. Connect RCA plug into "audio in" of the audio source. If connection to the audio source is a terminal block or strip, refer to audio receiver's instructions for proper connection. See wiring configuration below for different audio plugs (black wire is used instead of bare wire for ground)



### OTHER PLUGS WIRING CONFIGURATION



**MANUFACTURED  
IN THE**

