

MARKING:

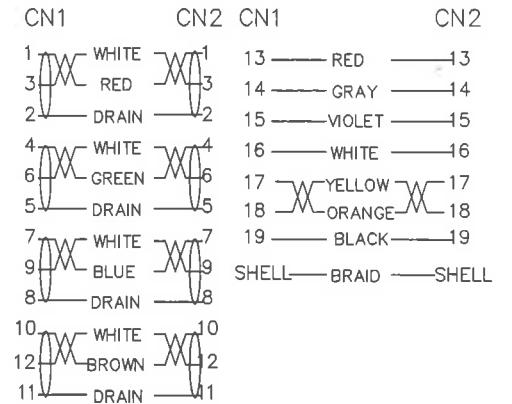
BLACK BOX CORPORATION GUARANTEED FOR LIFE (724) 746-5500---HDMI
 Cable--- \varnothing AWM E101344 STYLE 20379 80°C 30V

MATERIALS:

- CABLE: UL20379 HDMI 1.3B(28AWG Bare Copper *1pair+Drain wire/AL/Mylar)* 4 core + 28AWG Tinned Copper*1 pair+ 28AWG Tinned Copper* 5 core +AL/Braid 90%
 OD: 6.6MM COLOR: BLACK
 MANUFACTURER: SPACE SHUTTLE HI-TECH CO,LTD.
- CONNECTOR: 19M PIN GOLD 15U" GOLD FRONT SHELL
 MANUFACTURER: CHI SHING INDUSTRIAL CO.,LTD
- PVC: BLACK 45P
 MANUFACTURER: SPACE SHUTTLE HI-TECH CO,LTD.
- DUST COVER: PE
 MANUFACTURER: SPACE SHUTTLE HI-TECH CO,LTD.
- LABEL: YEAR MONTH LABEL
 MANUFACTURER: WAN LONG $\frac{1}{02}$

BBOX P/N	LENGTH
EVHDMI01T-001M	3.3FT
EVHDMI01T-002M	6.6FT
EVHDMI01T-003M	9.8FT
EVHDMI01T-005M	16.4FT
EVHDMI01T-010M	32.8FT

CONNECTION



ELECTRONIC TEST:

- OPEN/SHORT/INTERMITTENCE: 100%.
- HI-POT: 300V DC/sec
- INSULATION RESISTANCE: 20M ohm (MIN)
- CONDUCTIVE RESISTANCE: $0 < L < 10$ FT 2 ohm (MAX)
 10 FT $< L < 15$ FT 3 ohm (MAX)
 15 FT $< L < 30$ FT 4 ohm (MAX)
 30 FT $< L < 100$ FT 6 ohm (MAX)
 $L > 100$ FT 10 ohm (MAX)

REV	ECN NO	DESCRIPTION	APPD.	DATE
02	R101215002		Jingxu	11.02.10
01	980601001		Wayne	09.06.02
00			Wayne	09.05.15

BLACK BOX

Tolerance:	Approved by:	
X. \pm	Checked by:	BLACK BOX P/N: EVHDMI01T-***M
.X \pm	Drawn by:	Description: HDMI 19P / HDMI 19P
.XX \pm	Jingxu	
.XXX \pm	Date:	DWG. NO: RFS-97121802
Angle:	11.02.12	
X* \pm	Scale:	SHEET: 1 OF 3
.X* \pm	Unit:mm	REV: 02