

INSTRUCTION SHEET

COOL SERIES

DUCT COOL




















THANK YOU

Thank you for purchasing the DUCT-COOL. Please read these instructions thoroughly before installing / assembling this product.

PRODUCT FEATURES

- Removes air from enclosed areas with minimal noise
- Inline mixed flow duct fan is quieter and more efficient than centrifugal fans
- Operates only when needed, minimizing noise and dust

READ AND SAVE THESE INSTRUCTIONS/CONSERVER CES INSTRUCTIONS

-  **WARNING/DANGER HAZARDOUS VOLTAGE:** The lightning flash with the arrowhead symbol, within an equilateral triangle is intended to alert the user to the presence of uninsulated dangerous voltage within the product's enclosure that may be of sufficient magnitude to constitute a risk of electric shock to persons.
AVERTISSEMENT/DANGER HAUTE TENSION: L'éclair avec le symbole de flèche dans un triangle équilatéral est destiné à alerter l'utilisateur de la présence d'une tension dangereuse non isolée dans l'enceinte du produit qui peut être d'une ampleur suffisante pour constituer un risque de choc électrique pour les personnes.
-  **CAUTION:** The exclamation point within an equilateral triangle is intended to alert the user to the presence of important operating and maintenance (servicing) instructions in the literature accompanying the appliance.
ATTENTION: Le point d'exclamation dans un triangle équilatéral est destiné à alerter l'utilisateur de la présence d'importants instructions d'opération et de maintenance (entretien) dans la documentation accompagnant l'appareil.
-  **WARNING:** Installation work and electrical wiring must be done by qualified person(s) in accordance with all applicable codes and standards, including fire-rated construction
AVERTISSEMENT: Travaux d'installation et câblage électrique doivent être effectués par une personne qualifiée (s) conformément à tous les codes et normes applicables, feu constructions classées.
-  **CAUTION:** No user serviceable parts.
ATTENTION: Aucune pièce réparable par l'utilisateur.
-  **WARNING:** To reduce the risk of fire or electrical shock, do not use any fan control device other than those specified by the manufacturer.
AVERTISSEMENT: Pour réduire les risques d'incendie ou de choc électrique, ne pas utiliser une fan control dispositif autres que ceux spécifiés par le fabricant.
-  **WARNING:** To reduce the risk of electric shock, do not expose to water or rain.
AVERTISSEMENT: Pour réduire le risque de choc électrique, ne pas exposer à l'eau ou pluie.
-  **CAUTION:** For general ventilating use only. do not use to exhaust hazardous or explosive materials and vapors
ATTENTION: Pour usage de ventilation générale seulement ne pas utiliser pour échappement nocifs ou explosives matières et les vapeurs.
-  **CAUTION:** Automatically operated device - to reduce the risk of injury disconnect from power supply before performing any maintenance operations.
ATTENTION: Dispositif fonctionnement automatique pour réduire le risque de blessures débrancher à partir de source de courant avant effectuer opérations de maintenance.
-  **CAUTION:** Do not mount in a fire-rated wall or ceiling.
ATTENTION: Ne pas monter dans un feu évalué mur ou au plafond.
-  **CAUTION:** This fan shall not be installed behind a suspended floor/ceiling or a structural wall, ceiling or floor.
ATTENTION: Ce ventilateur devra pas être installé derrière un suspendu sol ou au plafond ou a paroi structurelle plafond ou au sol.
-  **CAUTION:** Not for use in cooking areas.
ATTENTION: Ne pas utiliser dans les zones de cuisson.
-  **CAUTION:** For use in non fire-rated installations only.
ATTENTION: Pour Utilisation En Non Au Feu Approuvée Installation Seulement.
-  **CAUTION:** Ducted Fans must always be vented to the outdoors.
ATTENTION: Ducted Ventilateurs Doivent Toujours Être Ventilés À L'extérieur.
-  **WARNING:** Do not operate any fan with a damaged cord or plug.
AVERTISSEMENT: Ne pas faire fonctionner avec un cordon ou une prise endommagée.
-  **CAUTION:** Route the power cord and other cables so that they are not likely to be walked on, tripped over, or stressed. pay particular attention to the condition of the cords and cables at the plugs, and the point where they exit your unit.
ATTENTION: Acheminez les cordons d'alimentation et les autres câbles de manière à ce qu'on ne puisse pas les écraser ni trébucher sur ceux-ci. portez une attention particulière à la condition des cordons et des câbles et aux points précis où ils sortent de votre dispositif de conditionnement de l'alimentation.
-  **CAUTION:** Install only in an unoccupied location.
ATTENTION: Installer uniquement dans un inoccupé endroit.
-  **WARNING:** When cutting or drilling into wall or ceiling, do not damage electrical wiring or other hidden utilities.
ATTENTION: Quand coupe ou de forage dans le mur tout ou au plafond, ne pas endommager cablage électrique ou autres services publics cachés.

SPECIFICATIONS

<u>MODEL NUMBER</u>	<u>VAC @ 60 Hz</u>	<u>CURRENT</u>	<u>CFM (M³/MIN)</u>
DUCT-COOL-1PT	120	.50 Amps	135 (3.8)
DUCT-COOL-2PT	120	.54 Amps	293 (8.3)

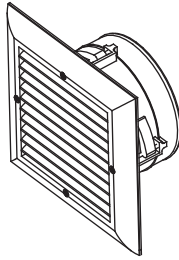
- Fan Unit turns on at 87⁰F and turns off at 85⁰F

TOOLS REQUIRED

- Phillips Head Screwdriver
- Small Flat Head Screwdriver
- Saw
- Drill
- 1/8" Drill Bit
- 3/8" Wrench

PARTS

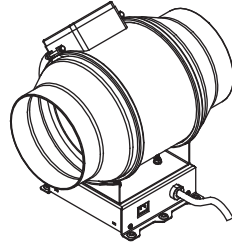
INTAKE ASSEMBLY



QTY
1

PART
A

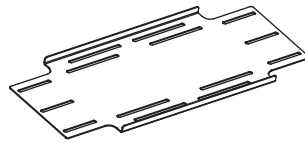
**MIXED FLOW ASSEMBLY
(FAN UNIT)**



QTY
1

PART
B

FAN UNIT MOUNTING PLATE



QTY
1

PART
C

FLEXIBLE DUCT (25 FEET)



QTY
1

PART
D

FLEXIBLE DUCT CLAMPS



QTY
3

PART
E

10-32 x 1/2 PHILLIPS HEAD SCREW



QTY
5
(One Extra)

PART
F

CABLE TIE MOUNT



QTY
12

PART
G

10-32 LOCKNUT



QTY
5
(One Extra)

PART
H

#10 x 5/8 WOOD SCREW



QTY
12

PART
J

**TEMPERATURE PROBE
CONNECTOR**



QTY
1

PART
K

WIRE TIE



QTY
24

PART
L

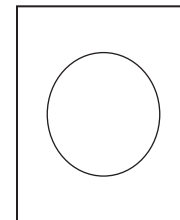
**TEMPERATURE PROBE
WIRE (30 FEET)**



QTY
1

PART
M

INTAKE TEMPLATE



QTY
1

PART
N

INTAKE ASSEMBLY INSTALLATION

1) Select mounting location. Choose an area free of obstructions (joists, wiring, etc.).

NOTE: Intake Assembly mounts to material up to a thickness of 1-5/16".

2) Use provided Template to mark installation location.

NOTE: Hole size is 7-1/8".

3) Cut hole using desired method (hand-saw, power-saw, etc.). **(FIGURE A)**

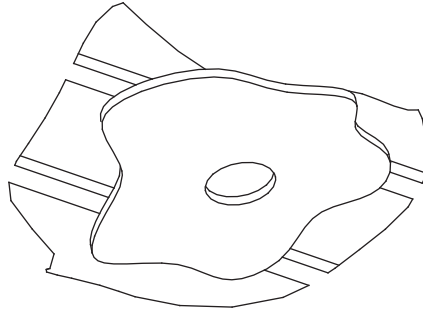


FIGURE A

4) Insert Intake Assembly (A) into the hole. **(FIGURE B)**

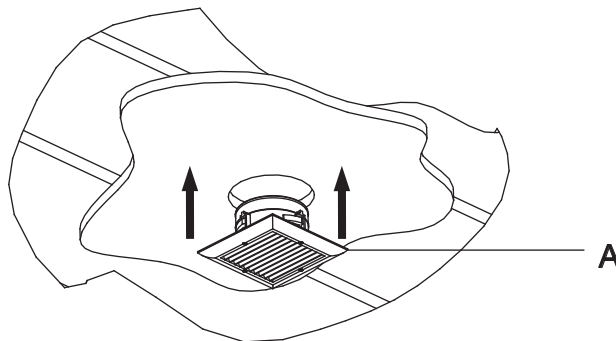


FIGURE B

5) Tighten the four screws on the Intake using a Phillips Head screwdriver. The clips will automatically swing into the proper position securing the Intake Assembly. **(FIGURE C)**

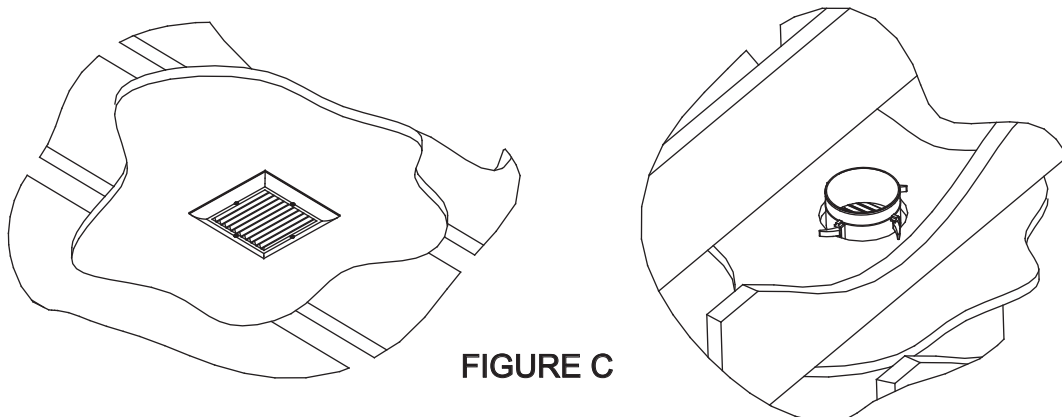


FIGURE C

FAN UNIT INSTALLATION

- 1) Install Fan Unit (B) to Mounting Plate (C) using provided hardware (F & H). Use a Phillips Head Driver and 3/8" Wrench (mount in four places). **(FIGURE A)**

NOTE: Mount flange up.

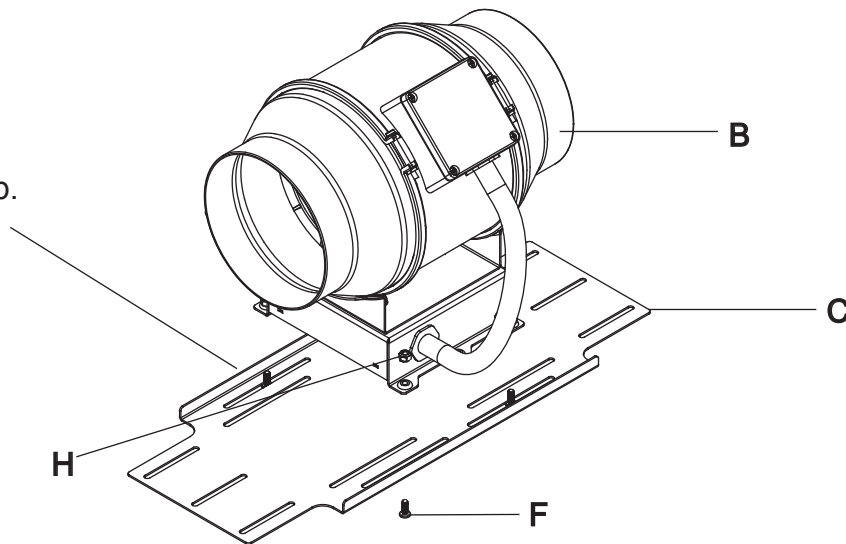


FIGURE A

- NOTE:** Fan Unit can mount on Mounting Plate in two directions, adjustable slots allow for two inch shift either way off center position. **(FIGURE B)**

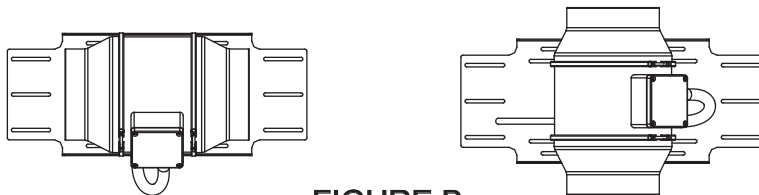


FIGURE B

- 2) Determine mounting location in attic. (Mounts to joists or structurally sound flat surface)

NOTE: Make sure airflow faces away from Louvered Intake (airflow shown on label affixed to fan unit and on electrical box).

- 3) Mount Fan Unit as desired using customer supplied hardware. **(FIGURE C)**

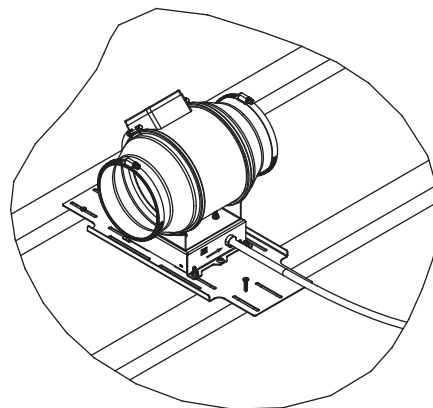


FIGURE C

TEMPERATURE PROBE INSTALLATION

If using a THERM-A (See pg 8) disregard this page and refer to the instructions included with the THERM-A.

- 1) Determine what location the probe will be placed in the equipment room. Mount at the highest possible location.

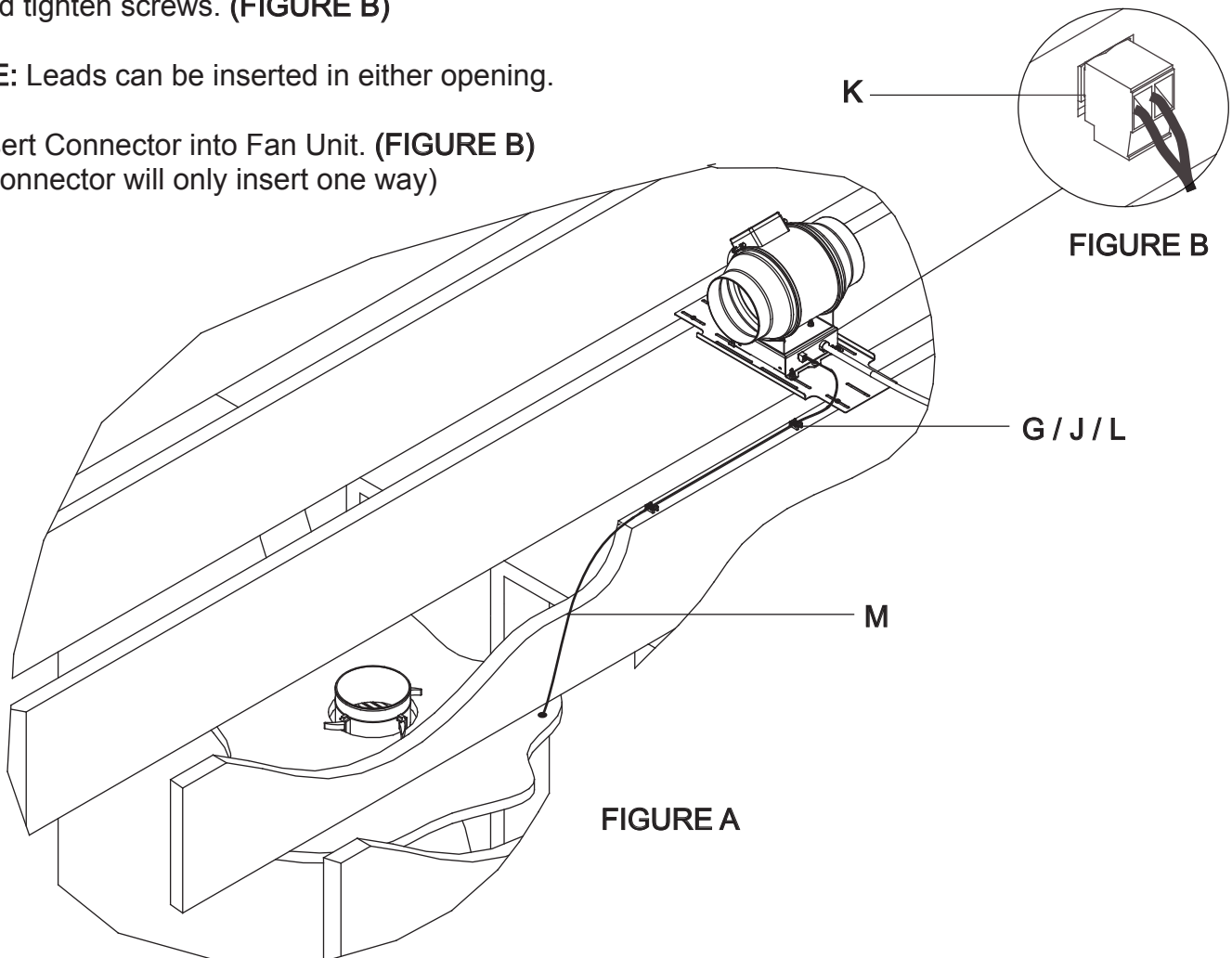
NOTE: It is recommended that the Temperature Probe is placed away from the Intake Assembly to properly gauge temperature.

See **FIGURE A** for an example of a Temperature Probe Assembly installation.

- 2) Drill a 1/8" hole where the Temperature Probe (M) will be located.
- 3) Run Temperature Probe Wire along joist and secure with provided Wire Ties (L), Wood Screws (J) and Cable Tie Mounts (G). Place Probe lead through previously drilled 1/8" hole.
- 4) If desired cut the stripped ends of the Temperature Probe Wire to appropriate length. Strip approximately 1/16" from each lead.
- 5) Insert stripped ends of Temperature Probe leads into Connector (K) and tighten screws. (**FIGURE B**)

NOTE: Leads can be inserted in either opening.

- 6) Insert Connector into Fan Unit. (**FIGURE B**)
(Connector will only insert one way)



FLEXIBLE DUCT INSTALLATION

1) Lay Ductwork out between Intake Assembly and Fan Unit.

NOTE: Fully extend Flexible Duct (D) minimizing the number of bends. Minimizing the number of bends maximizes air flow.

2) Pull back outer insulation on both ends.

3) Attach Flexible Duct to Louvered Intake with provided Clamp (E).
(FIGURE A)

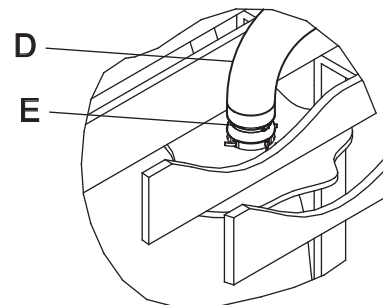


FIGURE A

4) Cut Flexible Duct to appropriate length.

5) Attach Flexible Duct to Fan Unit with provided Clamp (E).
(FIGURE B)

NOTE: Duct Tape can be used with the Clamps for extra hold.

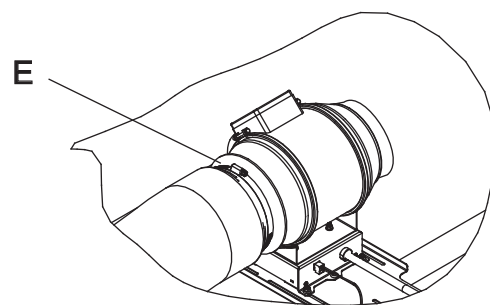


FIGURE B

6) Plug in the power cord and your DUCT-COOL is ready for use. **(FIGURE C)**

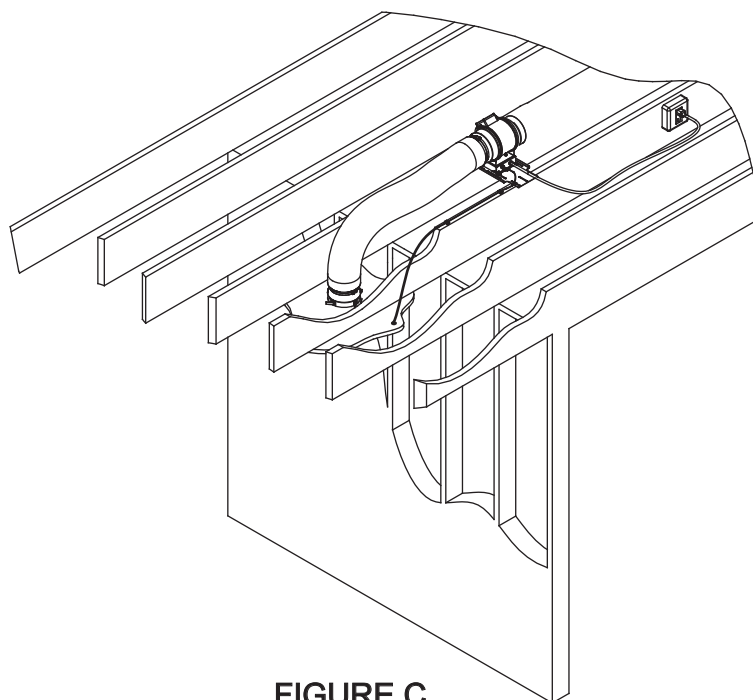
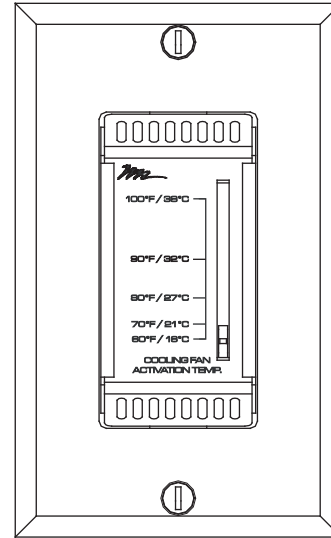


FIGURE C

THERM-A

- Optional thermostat for greater control of activation temperature



WARRANTY

Middle Atlantic Products, Inc. (the "Company") warrants the DUCT-COOL to be free from defects in material or workmanship under normal use and conditions for (3) years from date of shipment by the Company.

The Company's entire liability to the purchaser, and the purchaser's (or any other party's) sole and exclusive remedy, under this warranty shall be limited, at the Company's option, to either (a) return of and refund of the price paid for, or (b) repair or replacement at the Company's factory of the products purchased, or any part or parts thereof, which the Company has determined to be defective after inspection thereof at the Company's factory.

This warranty does not cover damage due to acts of God, accident, misuse, abuse or negligence by parties other than the Company, or any modification or alteration of the products. In addition, this warranty does not cover damage due to improper handling, assembly, installation or maintenance.

THIS WARRANTY IS IN LIEU OF ALL OTHER WARRANTIES OF ANY KIND, EITHER EXPRESSED OR IMPLIED, INCLUDING, BUT NOT LIMITED TO, IMPLIED WARRANTIES OF MERCHANTABILITY AND FITNESS FOR A PARTICULAR PURPOSE.

TO THE MAXIMUM EXTENT PERMITTED BY APPLICABLE LAW, IN NO EVENT SHALL THE COMPANY BE LIABLE FOR ANY SPECIAL, INCIDENTAL, INDIRECT, OR CONSEQUENTIAL DAMAGES WHATSOEVER (INCLUDING, WITHOUT LIMITATION, DAMAGES FOR LOSS OF BUSINESS PROFITS, BUSINESS INTERRUPTION OR ANY OTHER PECUNIARY LOSS) ARISING OUT OF THE USE OF THE PRODUCTS PURCHASED, EVEN IF THE COMPANY HAS BEEN ADVISED OF THE POSSIBILITY OF SUCH DAMAGES. THE COMPANY'S LIABILITY TO THE PURCHASER (OR ANY OTHER PARTY) HEREUNDER, IF ANY, SHALL IN NO EVENT EXCEED THE PURCHASE PRICE OF THE PRODUCTS PAID TO THE COMPANY.

Corporate Headquarters

Corporate Voice 973-839-1011 - Fax 973-839-1976 / International Voice +1 973-839-8821 - Fax +1 973-839-4982
middleatlantic.com - info@middleatlantic.com

Middle Atlantic Canada

Voice 613-836-2501 - Fax 613-836-2690 / middleatlantic.ca - customerservicecanada@middleatlantic.ca

Factory Distribution

USA: NJ - CA - IL Canada: ON - BC

At Middle Atlantic Products we are always listening. Your comments are welcome.

Middle Atlantic Products is an ISO 9001 and ISO 14001 Registered Company.



30% Recycled Paper