



TRADEMARKS USED IN THIS MANUAL

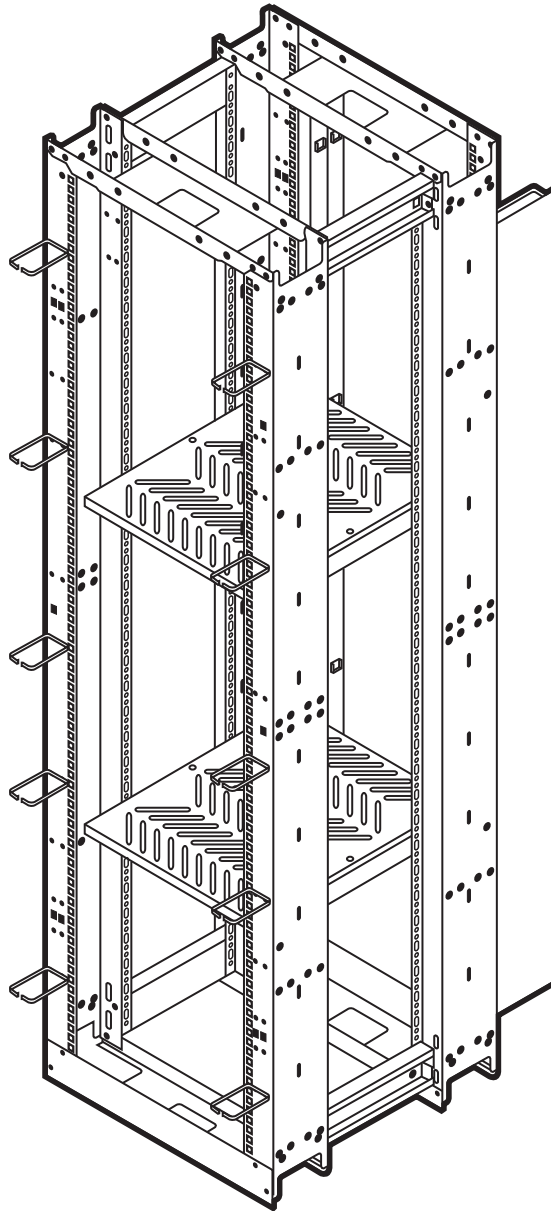
Black Box and the Double Diamond logo are registered trademarks of BB Technologies, Inc.

Any trademarks mentioned in this manual are acknowledged to be the property of the trademark owners.

© Copyright 2009. Black Box Corporation. All rights reserved.



# Action Organizer



---

**CUSTOMER  
SUPPORT  
INFORMATION**

Order **toll-free** in the U.S.: Call **877-877-BBOX** (outside U.S. call **724-746-5500**)  
FREE technical support 24 hours a day, 7 days a week: Call **724-746-5500** or fax **724-746-0746**  
Mailing address: **Black Box Corporation**, 1000 Park Drive, Lawrence, PA 15055-1018  
Web site: [www.blackbox.com](http://www.blackbox.com) • E-mail: [info@blackbox.com](mailto:info@blackbox.com)

# 1. Specifications

**Exterior Width:** 24" (61 cm)

**Exterior Depth:** RMT920A: 24" (61 cm); RMT928A: 30" (76.2 cm); RMT930A: 36" (91.4 cm)

**Exterior Height:** 84" (213.4 cm)

**Rack Spaces:** 45U

**Frame:** 14-gauge steel

**Corner Posts:** 14-gauge steel

**Mounting Rails:** 12-gauge steel

**Finish:** Black powder coat

**Weight:** RMT920A: 110 lb. (49.9 kg); RMT928A: 118 lb. (53.5 kg); RMT930A: 120 lb. (54.4 kg)

## 2. Introduction

### 2.1 Overview

The Action Organizer is an equipment bay and a cable management unit in one. The heavy-duty steel frame protects and supports large equipment and advanced cable management. The rack, which measures 84" high and 24" wide, is available in either 24", 30", or 36" depths. It includes 50 M6 cage nuts and 50 M6 mounting screws for securing your equipment in the rack.

The unique quick-release shelving system enables you to mount the optional Vented Quick-Release Shelves (RMT921, RMT922, or RMT929) independently from the rack's EIA mounting holes and enables you to easily change the shelf location without using tools or screws.

Optional Cable Management Kits (RMT923 or RMT924) hold your cables securely in the rack. The RMT923 comes with 3/8" D-rings, and the RMT924 comes with 6" D-rings.

The Cable Management Channel (RMT926) has six built-in 5/8" x 1/4" D-rings for use with additional cable runs.

The Action Organizer Joining Kit (RMT927) enables you to connect multiple Action Organizers together.

## 2.2 Features

- Constructed of heavy-duty steel.
- Durable, black, smooth, semi-gloss powder-coat finish.
- Overall height of 84" with 45 rack units.
- Open-style frame has no airflow restrictions.
- 24", 30", or 36"-deep footprint provides superior stability and greater protection for equipment.
- Conforms to EIA standard for mounting 19" EIA components.

## 2.3 Typical Applications

- Organize your equipment and cable in a single rack.
- Mount 19" EIA components in the rack.
- Join multiple racks with the optional joining kit (RM927).

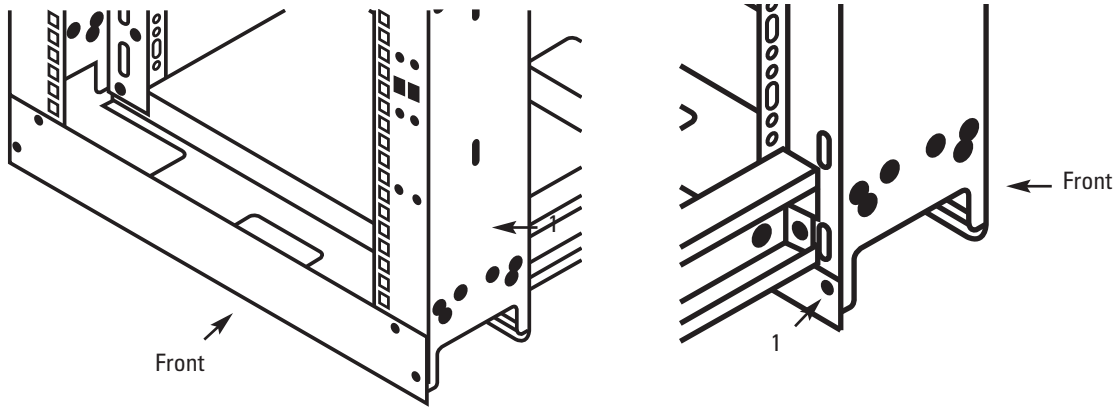
## 2.4 What's Included

- (4) vertical rails
- (2) top angles
- (2) bottom angles
- (4) front-to-back joining brackets
- (40) hex head bolts
- (40) hex head nuts
- (40) split washers
- (50) 10-32 screws
- (50) 10-32 cage nuts

# 3. Assembly

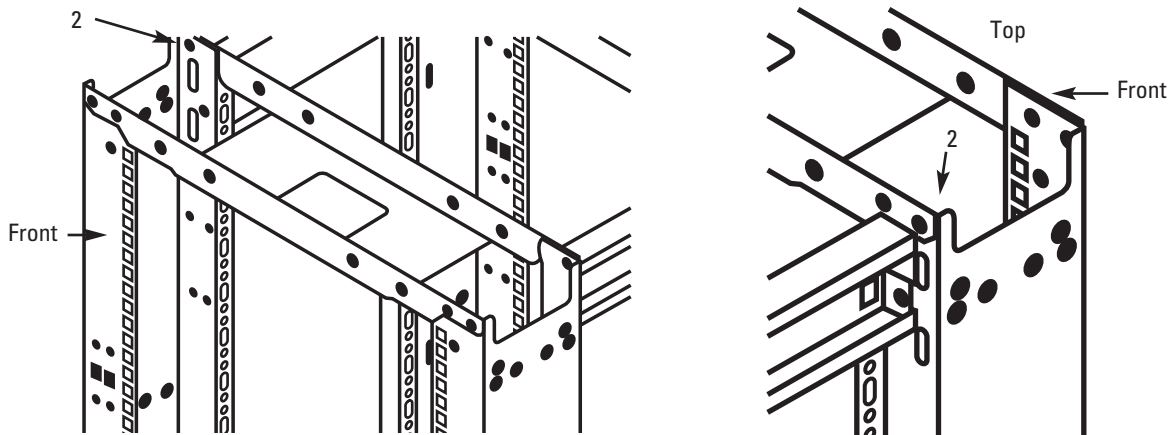
## Step 1

Lay two vertical rails face down about 19.5" apart. Slide one bottom angle into place between the rails with the high side toward the front. Insert two hex head bolts where shown (indicated with "1" in illustrations) and loosely fasten with two hex head nuts.



## Step 2

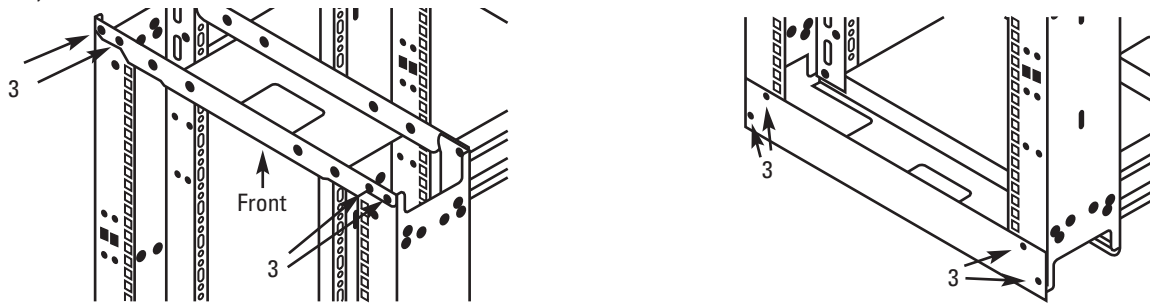
Slide the top angle between the rails. Insert two hex headbolts where shown (indicated with "2" in illustrations) and loosely fasten with two hex head nuts.



**Step 3**

Flip the frame section over.

Insert two hex head bolts into each corner of the frame where shown (indicated with "3" in illustrations) and loosely fasten with two hex head nuts.



**Step 4**

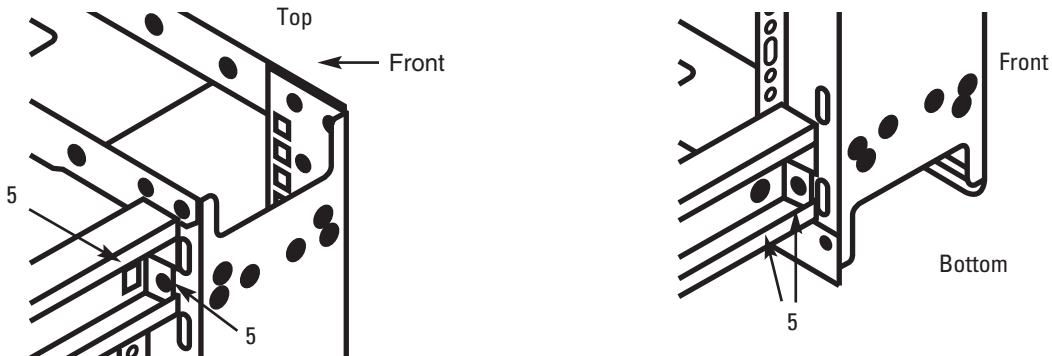
Repeat Steps 1 through 3 to assemble the second frame section.

**Step 5**

Lay one of the frame sections face down. Insert the tabs of one of the joining brackets into the slots on the vertical rails. Be sure that the open side of the joining bracket is facing the outside of the rack. Fasten the joining bracket to the frame section using two bolts and nuts where shown (indicated with "5" in illustrations).

Repeat this step for the remaining three joining brackets.

**NOTE:** The top brackets slide toward the top of the rack while the bottom brackets slide toward the bottom of the rack. Be sure that the open sides of the joining brackets are facing the outside of the rack. If the joining brackets are not installed properly, the bolt holes will not align.



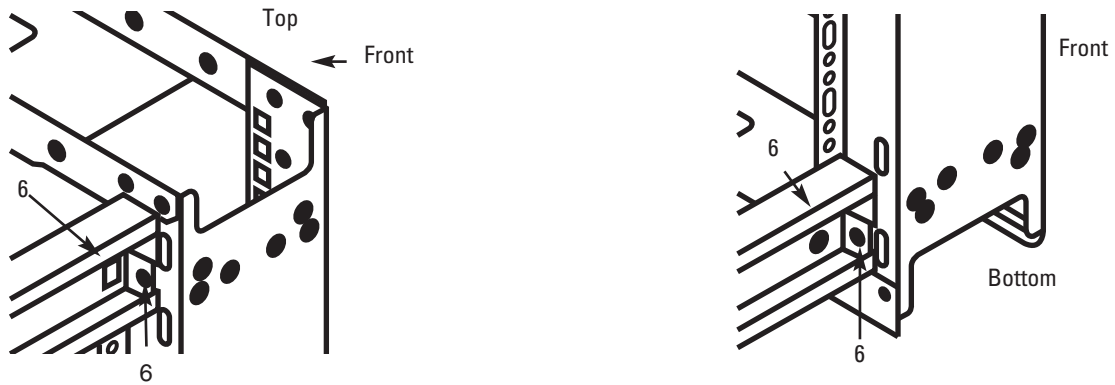
## ACTION ORGANIZER

### Step 6

### **\*CAUTION\***

**Step 6 requires two people for safety. An additional person is needed to steady the rack during final assembly.**

Stand the frame section with the joining brackets attached and have one person hold this section. Stand the second frame section and slide it into position very close to the joining brackets. While one person steadies the frame sections, the second person will align and insert the tabs of the joining brackets into the second frame section, starting at the bottom. This may require some manipulation of the frame. Once the tabs of all four joining brackets are inserted into the second frame section, attach each joining bracket with two bolts where shown (indicated with "6" in illustrations). Again, to get the holes aligned properly, some manipulation of the rack frame may be necessary.



### Step 7

Be sure that the corners of the rack are square and tighten all bolts.

# 4. Installation

## 4.1 Installing Equipment in the Rack

### 4.1.1 MOUNT 19" EIA COMPONENTS IN THE RACK

The Action Organizer was designed for easy rackmounting of 19" EIA components (see Figure 4-1). Each rack comes with 50 cage nuts and screws for mounting equipment.

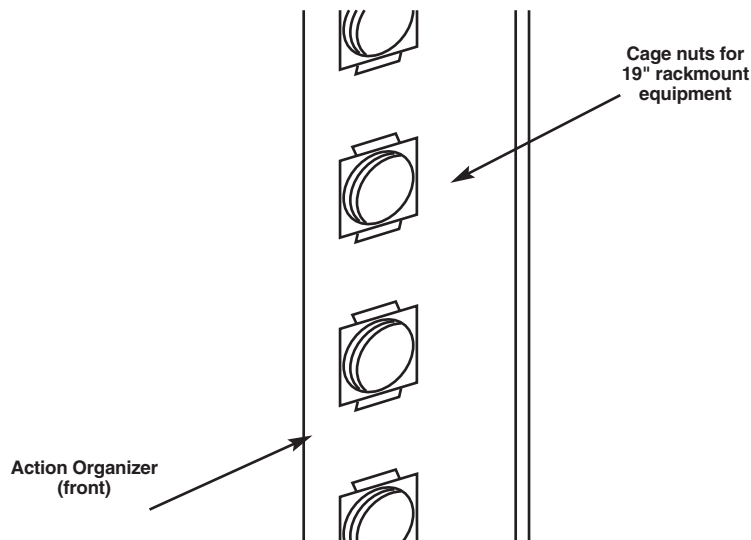


Figure 4-1. Rackmounting 19" EIA components

### 4.1.2 HARDWARE/EQUIPMENT INSTALLATION

For optimal performance, consult the manufacturer's installation instructions for the equipment being installed.

Consider the airflow patterns of the equipment you're installing. Avoid directly venting the exhaust of one unit into the intake of another.

### 4.1.3 POWER STRIP INSTALLATION

When using a power strip on the Action Organizer, do not exceed amperage ratings. Refer to the power strip to identify the maximum amperage that can be safely provided by that strip.

### 4.1.4 SAFETY PRECAUTIONS FOR PRODUCTS INSTALLED IN RACKS

To maximize stability and reduce the risk of personal injury or damage to the installed equipment, make sure that:



## ACTION ORGANIZER

- The weight of the installed equipment is evenly distributed throughout the rack. Do not exceed the recommended weight capacity for individual shelves or maximum weight capacity for the entire rack.
- The rack is located on a level surface.
- Only one component is extended at a time. A rack may become unstable if more than one component is extended for any reason.

### CAUTION

**Do not attempt to move the rack without adequate assistance.**

### WARNING

**This rack is not a fireproof enclosure. All assemblies installed in this rack should include their own sheet metal or other suitable casing or enclosure to avoid the risk of injury via fire, shock, etc.**

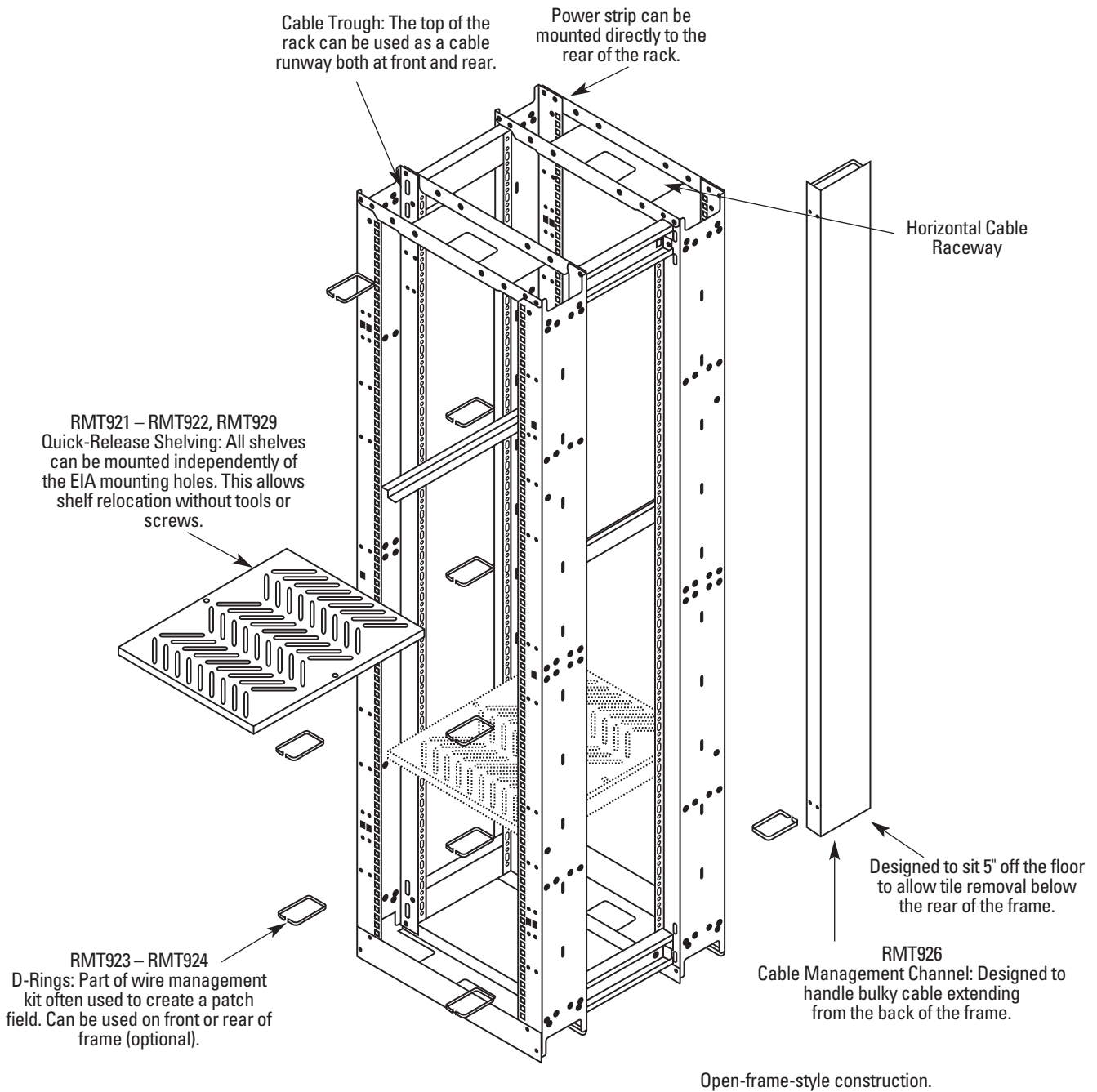
## 4.2 Safe Installation on Raised/Access Floors

Before designing and installing data racks, consider the weight and strength specifications provided by the manufacturer of the access floor (including the weight of the equipment added to the rack). We recommend consulting with a qualified professional structural engineer before making any tile cuts and when specifying and installing any racks in a raised floor environment.

### WARNING: FIRE RATING

**Raised floor systems in the United States should comply with the NFPA “Protection of Electronic/Data Processing Equipment.” Systems outside of the U.S. should conform to applicable local fire safety codes and standards.**

### 4.3 The Action Organizer Illustrated



# Appendix. Troubleshooting

## A.1 Calling Black Box

If you determine that your Action Organizer is malfunctioning, do not attempt to alter or repair the unit. It contains no user-serviceable parts. Contact Black Box at 724-746-5500.

Before you do, make a record of the history of the problem. We will be able to provide more efficient and accurate assistance if you have a complete description, including:

- the nature and duration of the problem.
- when the problem occurs.
- the components involved in the problem.
- any particular application that, when used, appears to create the problem or make it worse.

## A.2 Shipping and Packaging

If you need to transport or ship your Action Organizer:

- Package it carefully. We recommend that you use the original container.
- If you are shipping the Action Organizer for repair, make sure you include everything that came in the original package. Before you ship, contact Black Box to get a Return Authorization (RA) number.

### **NOTE**

**We recommend that you consult with a qualified electrician for all your electrical requirements.**