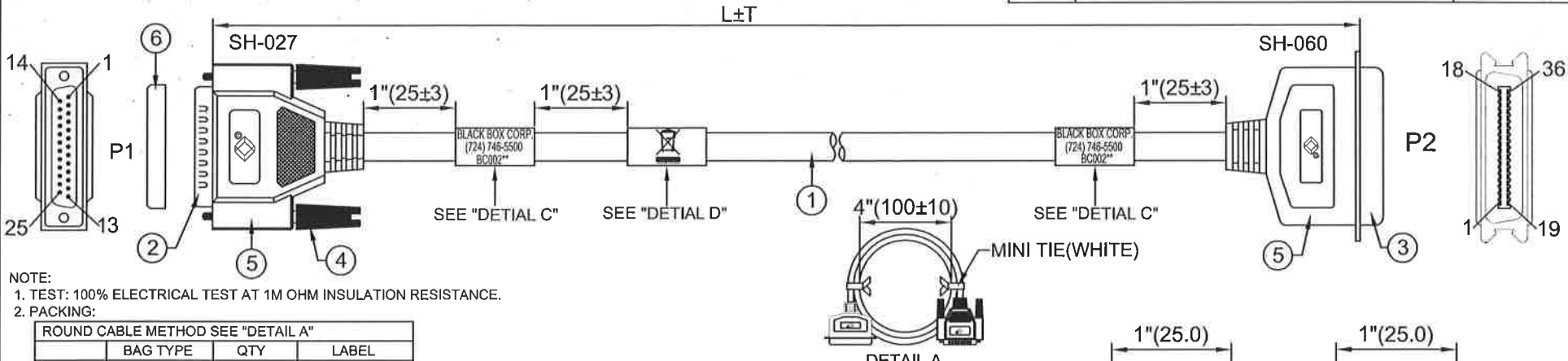


RoHS COMPLIANT

1 OF 1

REV.	REVISION	DATE



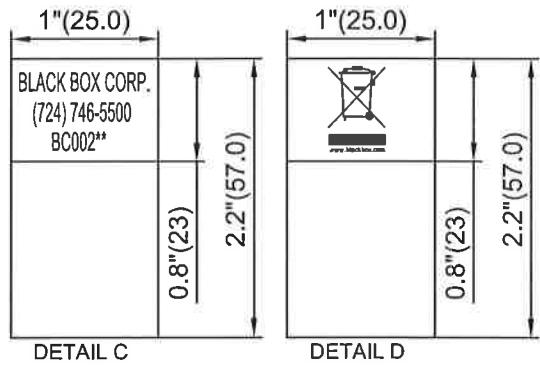
NOTE:
 1. TEST: 100% ELECTRICAL TEST AT 1M OHM INSULATION RESISTANCE.
 2. PACKING:

ROUND CABLE METHOD SEE "DETAIL A"			
BAG TYPE	QTY	LABEL	
SMALL ZIP-LOCK BAG	1 CABLE	SEE "DETAIL B"	
LARGE POLYBAG	ALL	NONE	

EACH LARGE POLYBAG IN AN OUTER CARTON

- Another - Quality Product from
BLACK BOX®
 (724) 746-5500
 Code: BC002**
 Item: DB25M-CN36M, xx FT.
 1 Unit = 1 Piece
 Made in CHINA

PIN OUT					
P1 DB25M	P2 CN36M	COLOR	P1 DB25M	P2 CN36M	COLOR
1	1	WHITE	14	14	BROWN/WHITE
2	2	GRAY	15	32	RED/WHITE
3	3	YELLOW	16	31	ORANGE/WHITE
4	4	PINK	17	36	GREEN/WHITE
5	5	ORANGE	18	33	BLUE/WHITE
6	6	RED	19	19	PURPLE/WHITE
7	7	BROWN	20	21	RED/BLACK
8	8	GREEN	21	23	ORANGE/BLACK
9	9	BLUE	22	25	YELLOW/BLACK
10	10	PURPLE	23	27	GREEN/BLACK
11	11	L-GREEB	24	29	GRAY/BLACK
12	12	BLACK	25	30	PINK/BLACK
13	13	BLACK/WHITE	Shell	Shell	DRAIN



CHART

BC00205	05	25	25'(7620)	+6"/-0"(+152/-0)
BC00204	04	20	20'(6096)	+6"/-0"(+152/-0)
BC00203	03	15	15'(4572)	+6"/-0"(+152/-0)
BC00202	02	10	10'(3048)	+3"/-0"(+76/-0)
BC00201	01	6	6'(1828.8)	+3"/-0"(+76/-0)
PART NO.	**	xx	L	T

6	1PC	DC-DB25M	DB25P MALE DUST COVER.
5	60g	PVC-45-BG01	OVER MOLD: BEGE PVC 45P, UL94V-0.
4	2PCS	TS440-SL2-BG	THUMBSCREW: Φ7.8x53.4mm, #4-40 UNC, MOLDED BEIGE PVC 30P, UL94V-0.
3	1PC	CN36M	CONNECTOR: CN36PM, SOLDER TYPE, GOLD FLASH CONTACTS, BLACK PBT INSULATION, NICKEL PLATED SHELL.
2	1PC	DB25MS	CONNECTOR: D-SUB 25P MALE, SOLDER TYPE, GOLD FLASH CONTACTS, BLACK PBT INSULATION, NICKEL PLATED SHELL.
1	1PC	PMC2528MS2-BB	CABLE: 28AWGx25C+DRAIN+AL/MY, STRANDED, UL2464, BEIGE PVC JACKET, OD=7.0±0.15mm

DRAWN BY Candy	UNIT: mm [Inches]	TITLE: LASER-PRINTER CABLE, DB25M-CN36M, 25 COND
	DATE 12/04/2003	
CHECKED BY	DATE	DRAWING NO. ST00776
APPROVED BY	DATE	REV. A
P.O. NO.:	DATE	PART NO. BC002**

ITEM	Q'TY	PART NO.	DESCRIPTION
------	------	----------	-------------

PART LIST