



by Schneider Electric

Smart-UPS[®] Input Hardwire Kit

SURT 14/18 kVA 200 Vac

15/20 kVA 208/240 Vac Stack/RM 6U

Hardwire the UPS

Wiring Specifications

Input Connections	Output Connections
Utility Input Wire to L1, N/L2, ground	Hardwire Wire to L1, N/L2, ground
	PDU XL battery pack PDU to UPS: Wire L1, N/L2, ground

System	Wiring	Voltage	Current Full Load (maximum)	External Input Circuit Breaker (typical)	Wire Size (typical)*
SURT14K	Input	200 Vac	80 A	100 A / 2-pole	25 mm ² (2 AWG)
	Output	200 Vac	70 A	not required	25 mm ² (2 AWG)
SURT15K	Input	208/240 Vac	80 A	100 A / 2-pole	25 mm ² (2 AWG)
	Output	208/240 Vac	72 A	not required	25 mm ² (2 AWG)
SURT18K	Input	200 Vac	100 A	125 A / 2-pole	35 mm ² (1 AWG)
	Output	200 Vac	90 A	not required	35 mm ² (1 AWG)
SURT20K	Input	208/240 Vac	100 A	125 A / 2-pole	35 mm ² (1 AWG)
	Output	208/240 Vac	96 A	not required	35 mm ² (1 AWG)

Wire gauges may vary. Adhere to national and local electrical codes when wiring this unit.

* Terminal screw tightening torque: 40 lb-in (4.5 N-m)

Acceptable input frequency range is 40 to 70 Hz.

Output voltage and frequency are user selectable only when UPS is in **Load Disconnect** mode.

Refer to display interface menu screens for available options.

Input wiring

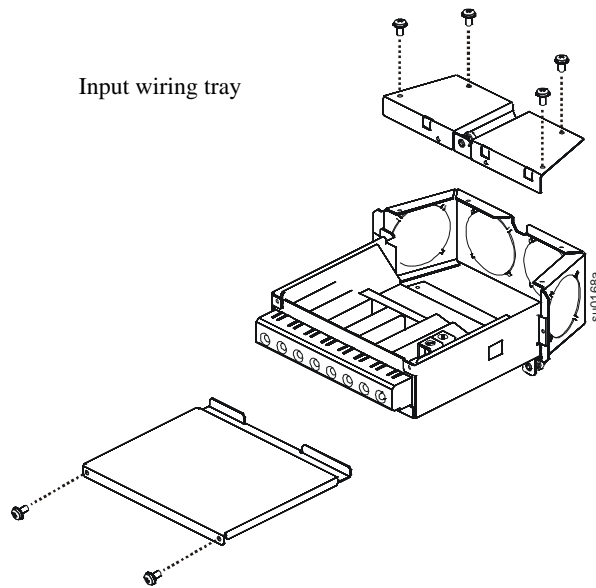
Wiring must be performed by a qualified electrician.

Adhere to all national and local electrical codes.

1. Install a utility circuit breaker in accordance with local electrical codes.
2. Switch utility circuit breaker OFF.
3. Remove the screws that secure the covers and take the covers off the tray.
4. Remove appropriate circular knockouts from input wiring tray.
5. Install appropriate strain-relief (not supplied), on hardwired input power cables.
6. **Connect ground terminal first.** Then connect the remaining wires. Route wires through knockout holes to terminal blocks. Refer to “Wiring Specifications” on page 1 and “Input hardwiring” on page 3.
7. Secure wiring tray cover using screws removed in *step 3* above.



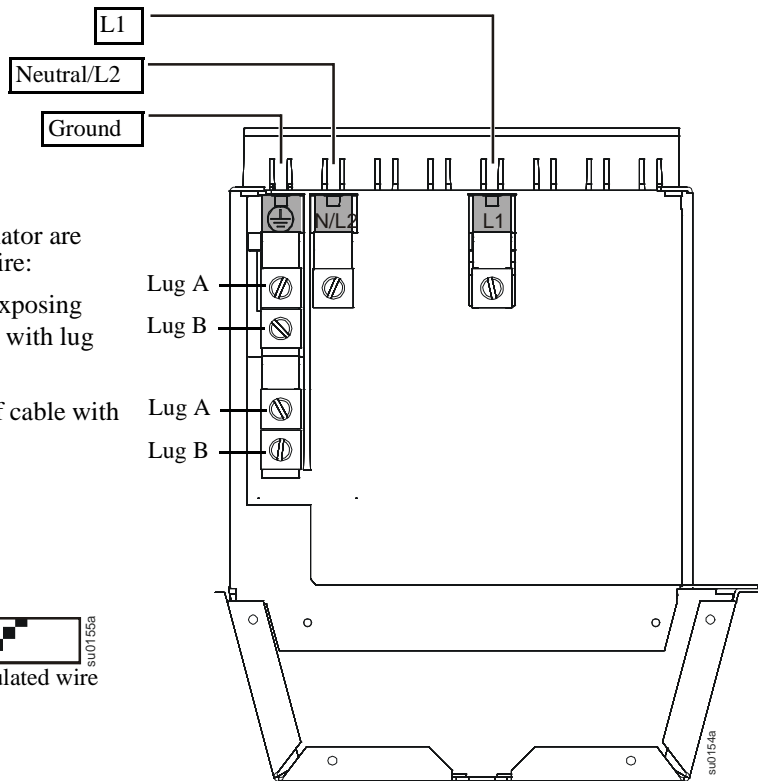
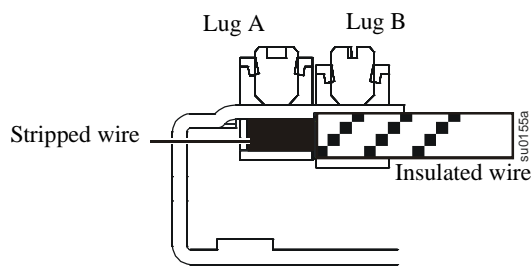
Failure to follow these instructions may result in personal injury or equipment damage.



Input hardwiring

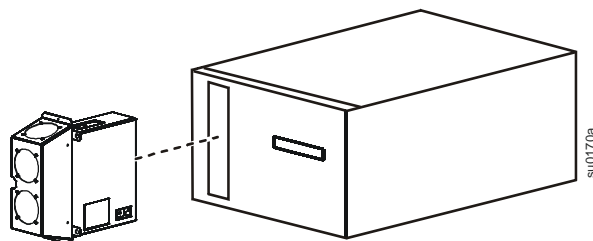
Ensure ground wire conductor and insulator are securely fastened. To connect ground wire:

1. Strip cable of insulation, exposing wire. Secure exposed wire with lug "A".
2. Secure insulated portion of cable with lug "B".



Install input wiring tray in UPS

Secure input wiring tray to UPS using three screws attached to the tray.





Customer support and warranty information is available at the APC Web site, www.apc.com.

© 2011 APC by Schneider Electric. APC, the APC logo, and Smart-UPS are owned by Schneider Electric Industries S.A.S., American Power Conversion Corporation, or their affiliated companies. All other trademarks are property of their respective owners.

990-4542
6/2011