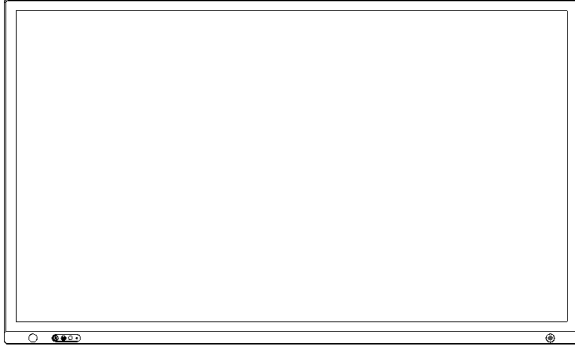


LCD MONITOR



PN-LA652
PN-LA752
PN-LA862

MODEL

Dismantle Instruction

Table of contents

1. Scope	3
2. Tools for dismantling.....	3
3. Dismantle Procedure	3
4. Batteries	4
5. Back covers.....	5
6. PWB and other electronic components.....	6
(1) MAIN PWB	6
(2) POWER PWB.....	6
(3) T-CON PWB.....	7
(4) LED Driver board	8
(5) KEY PWB.....	9
(6) PIR PWB	9
(7) TOUCH CONTROL PWB	9
(8) Speaker.....	9
7 LCD Module bezels/angles	10
8 Capacitors.....	12
9 Parts List	13

1. Scope

This document describes dismantling instruction according to Annex VII of Directive 2012/19/EU.

2. Tools for dismantling

- Screw Driver
- Nipper

3. Dismantle Procedure

This product can be dismantled by below steps.

1. Remove Back covers (section 5)
2. Remove Printed circuit boards (section 6)
3. Dismantle LCD (section 7)
4. Remove Electrolyte Capacitors (section 8)

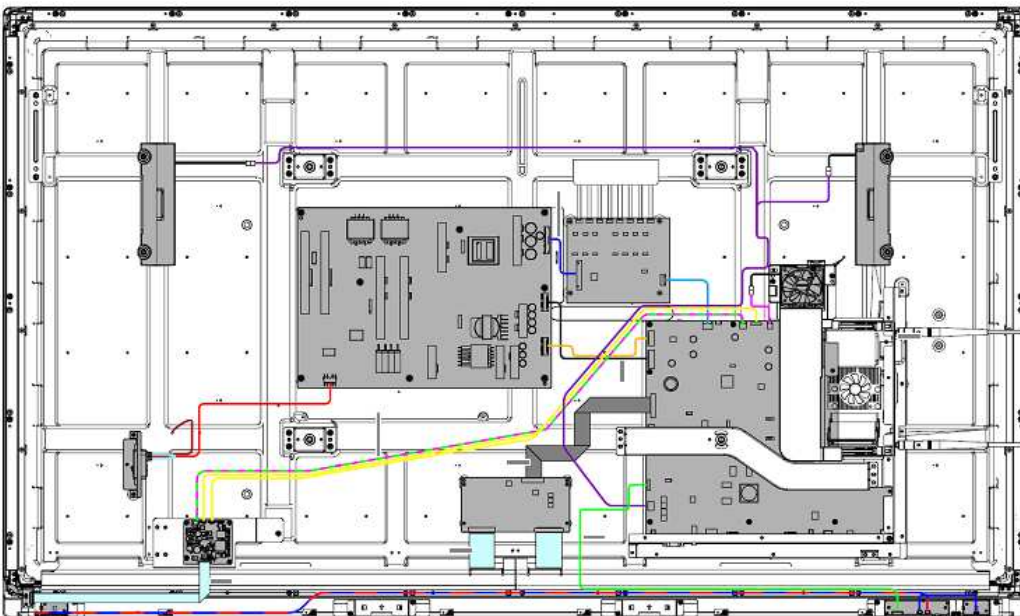
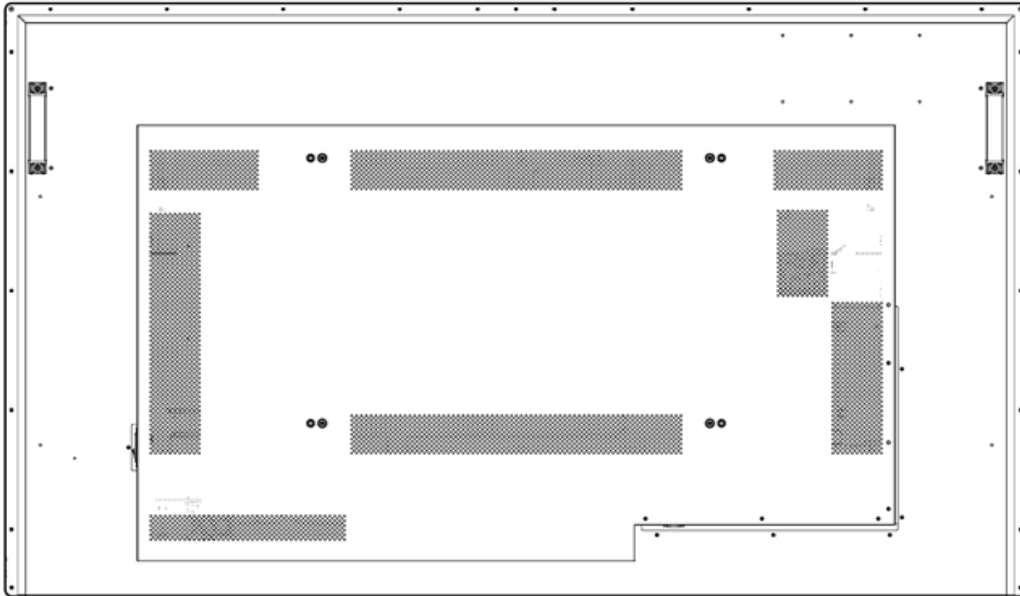
4. Batteries

This model uses only AAA battery for remote control.
Battery can easily be removed.



5. Back covers

back cover can be removed by screw driver.



6. PWB and other electronic components

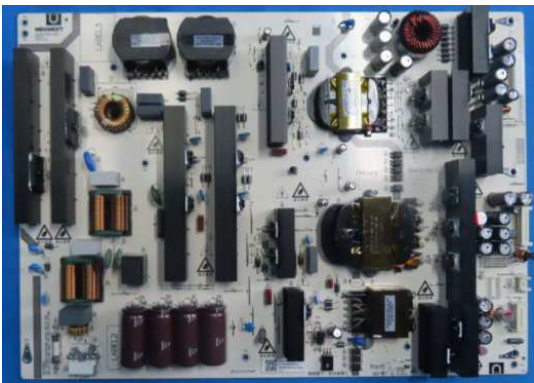
All electronic components can be removed by screw driver.

(1) MAIN PWB

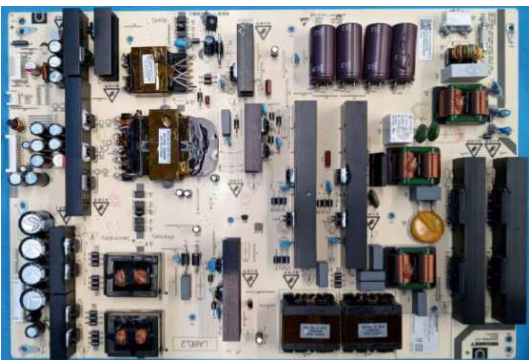


(2) POWER PWB

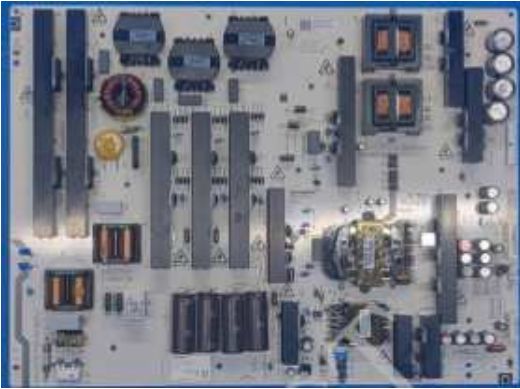
PN-LA652



PN-LA752



PN-LA862



(3) T-CON PWB

PN-LA652



PN-LA752

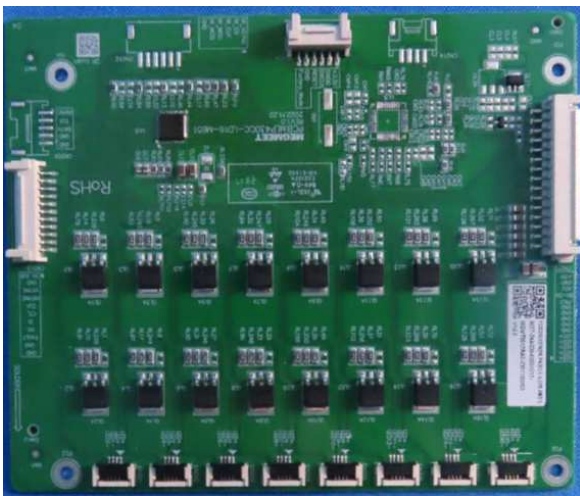


PN-LA862



(4) LED Driver board

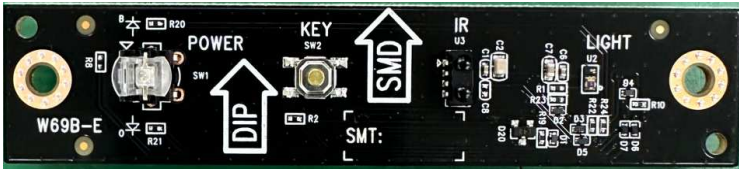
PN-LA652



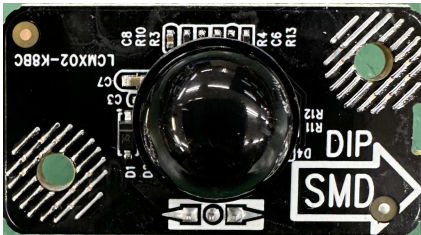
PN-LA752/862



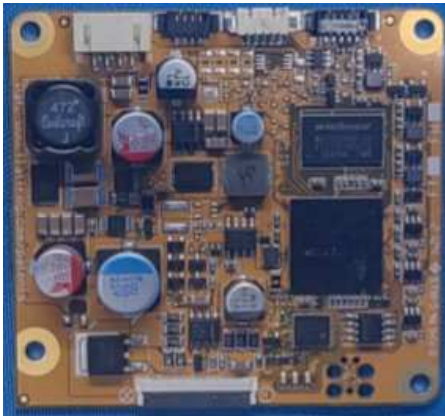
(5) KEY PWB



(6) PIR PWB



(7) TOUCH CONTROL PWB

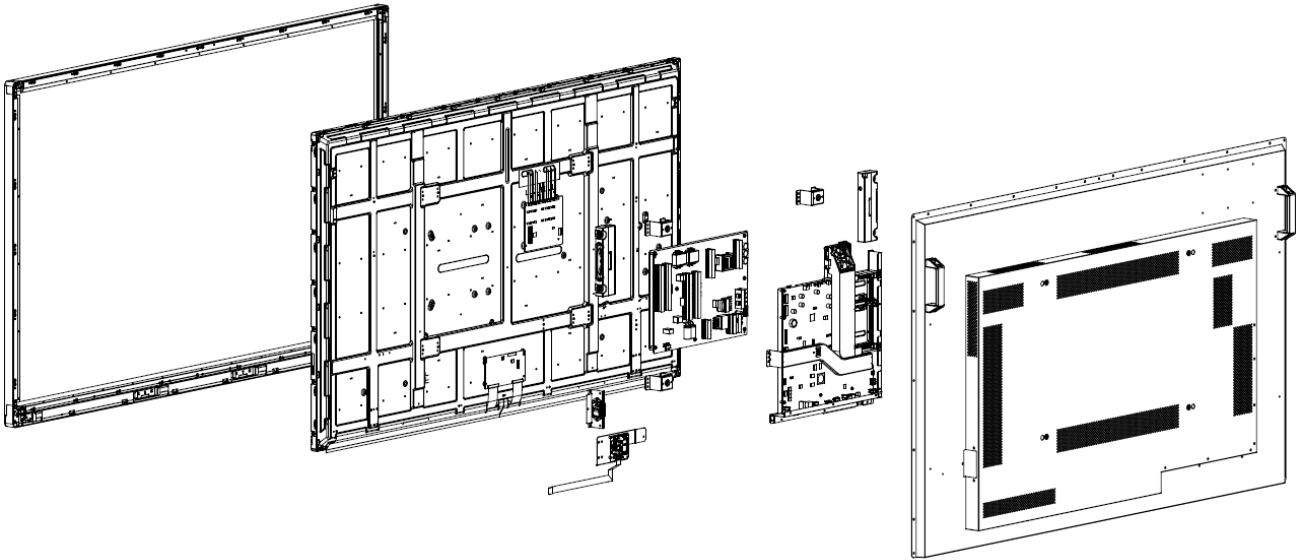


(8) Speaker

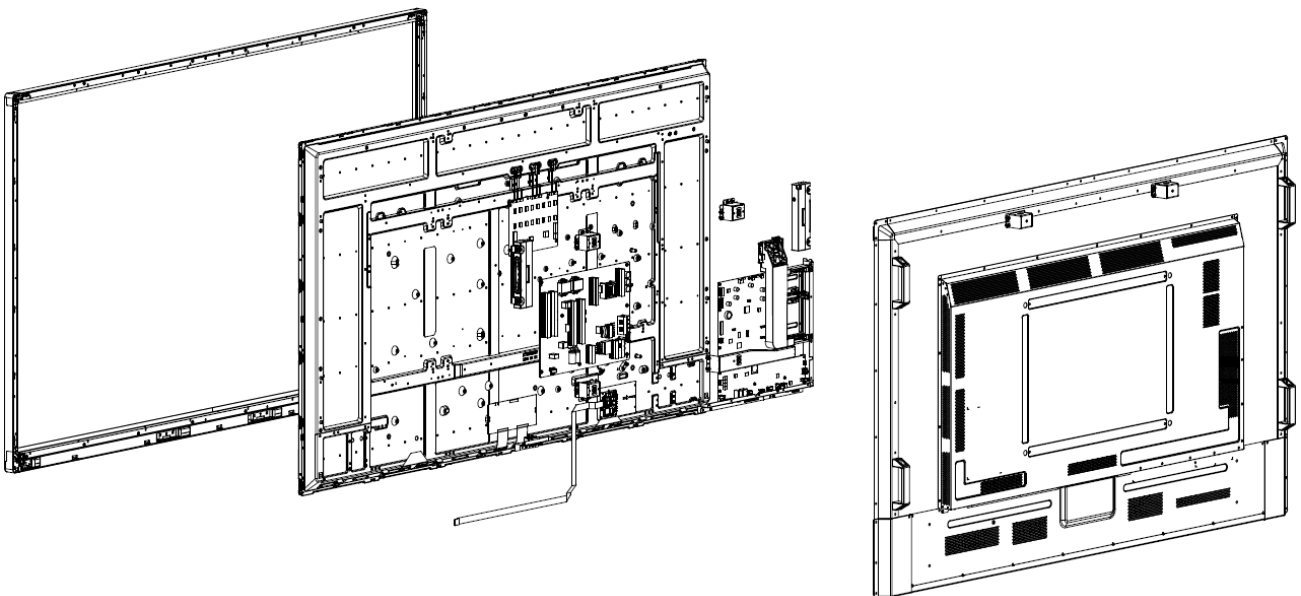


7 LCD Module bezels/angles

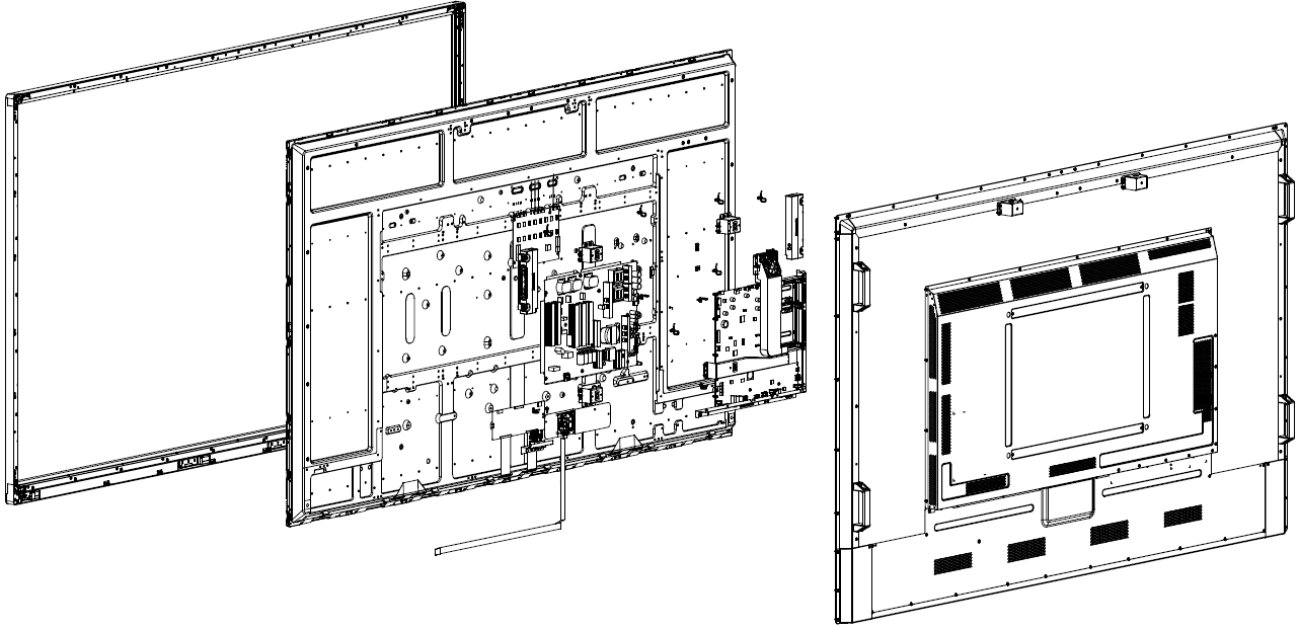
PN-LA652



PN-LA752



PN-LA862



8 Capacitors

Capacitors which diameter is larger than 25mm is installed on the Power PWB.

And these capacitors can be removed by using nipper to cut the leads.



9 Parts List

The spare parts listed in the column "Spare Parts" below are kept available in accordance to legal requirements of EU Regulation 2019/2021 for professional repairer.

Spare Part	Part Name/ Element of Part
a. Internal power board	Power PWB
b. Connectors to connect external equipment	Main PWB
c. Batteries and Accumulators	Battery (AAA) of remote control
d. DVD/Blue-Ray module	not applicable
e. HD/SSD module	not applicable