

**ThinkStation®**

## P520c Hardware Maintenance Manual

**Think**

**Lenovo**

**Machine Types:** 30BY, 30BX, and 30C0

**Note:** Before using this information and the product it supports, be sure to read and understand the Chapter 1 “Read this first: Important safety information” on page 1 and Appendix G “Notices” on page 213.

**Eighth Edition (March 2022)**

**© Copyright Lenovo 2017, 2022.**

LIMITED AND RESTRICTED RIGHTS NOTICE: If data or software is delivered pursuant to a General Services Administration “GSA” contract, use, reproduction, or disclosure is subject to restrictions set forth in Contract No. GS-35F-05925.

---

# Contents

## About this manual . . . . . v

## Chapter 1. Read this first: Important safety information . . . . . 1

|  |   |
|--|---|
| Power cords and power adapters . . . . .                     | 1 |
| General safety . . . . .                                     | 1 |
| Electrical safety . . . . .                                  | 2 |
| Safety inspection guide . . . . .                            | 3 |
| Handling electrostatic discharge-sensitive devices . . . . . | 4 |
| Grounding requirements . . . . .                             | 5 |
| Safety notices (multi-lingual translations) . . . . .        | 5 |

## Chapter 2. Product overview . . . . . 29

|  |    |
|--|----|
| Hardware locations . . . . .                   | 29 |
| Front view . . . . .                           | 29 |
| Rear view . . . . .                            | 30 |
| Computer components . . . . .                  | 33 |
| Major FRUs and CRUs . . . . .                  | 34 |
| Parts on the system board . . . . .            | 39 |
| Internal storage drives . . . . .              | 41 |
| Machine type and model label . . . . .         | 42 |
| Computer features . . . . .                    | 43 |
| Computer specifications . . . . .              | 46 |
| Programs . . . . .                             | 47 |
| Accessing a program on your computer . . . . . | 47 |
| An introduction to Lenovo programs . . . . .   | 47 |

## Chapter 3. Using your computer . . . . . 49

|  |    |
|--|----|
| Registering your computer . . . . .                | 49 |
| Setting the computer volume . . . . .              | 49 |
| Using a disc . . . . .                             | 49 |
| Guidelines about using the optical drive . . . . . | 49 |
| Handling and storing a disc . . . . .              | 49 |
| Playing and removing a disc . . . . .              | 50 |
| Recording a disc . . . . .                         | 50 |
| Connecting to a network . . . . .                  | 51 |

## Chapter 4. You and your computer . . . . . 53

|   |    |
|---|----|
| Arranging your workspace . . . . .                      | 53 |
| Glare and lighting . . . . .                            | 53 |
| Air circulation . . . . .                               | 53 |
| Electrical outlet locations and cable lengths . . . . . | 53 |
| Comfort . . . . .                                       | 53 |
| Accessibility information . . . . .                     | 54 |
| Cleaning your computer . . . . .                        | 57 |
| Maintenance . . . . .                                   | 57 |

|   |    |
|---|----|
| Basic maintenance tips . . . . .        | 57 |
| Good maintenance practices . . . . .    | 57 |
| Keeping your computer current . . . . . | 58 |
| Moving your computer . . . . .          | 58 |

## Chapter 5. Security . . . . . 59

|   |    |
|---|----|
| Locking your computer . . . . .   | 59 |
| Locking the computer cover . . . . .  | 59 |
| Attaching a Kensington-style cable lock . . . . .                             | 59 |
| Viewing and changing security settings in the Setup Utility program . . . . . | 60 |
| Using passwords and Windows accounts . . . . .                                | 60 |
| Using fingerprint authentication . . . . .                                    | 60 |
| Using the cover presence switch . . . . .                                     | 61 |
| Using firewalls . . . . .   | 61 |
| Protecting data against viruses . . . . .                                     | 61 |
| Using the Smart USB Protection function . . . . .                             | 62 |
| Computrace Agent software embedded in firmware . . . . .                      | 62 |
| Trusted Platform Module (TPM) . . . . .                                       | 62 |
| Intel BIOS guard . . . . .  | 62 |

## Chapter 6. Advanced configuration . . . . . 63

|   |    |
|---|----|
| Using the Setup Utility program . . . . .                                     | 63 |
| Starting the Setup Utility program . . . . .                                  | 63 |
| Changing the display mode of the Setup Utility program . . . . .              | 63 |
| Changing the display language of the Setup Utility program . . . . .          | 63 |
| Enabling or disabling a device . . . . .                                      | 64 |
| Enabling or disabling the automatic power-on of your computer . . . . .       | 64 |
| Enabling or disabling the ErP LPS compliance mode . . . . .                   | 64 |
| Enabling or disabling the configuration change detection . . . . .            | 65 |
| Changing the BIOS settings before installing a new operating system . . . . . | 65 |
| Using BIOS passwords . . . . .  | 65 |
| Selecting a startup device . . . . .  | 67 |
| Changing the fan speed level . . . . .  | 68 |
| Exiting the Setup Utility program . . . . .                                   | 68 |
| Updating and recovering the BIOS . . . . .                                    | 68 |
| BIOS level . . . . .  | 69 |
| Configuring RAID . . . . .  | 70 |
| An Introduction to RAID . . . . .   | 70 |
| Configuring RAID with Intel RSTe . . . . .                                    | 70 |

|  |    |
|--|----|
| Configuring RAID with AVAGO MegaRAID Configuration Utility . . . . . | 72 |
| Configuring RAID with Intel Virtual RAID on CPU . . . . .            | 74 |

**Chapter 7. Troubleshooting, diagnostics, and recovery . . . . . 77**

|   |    |
|---|----|
| Basic procedure for resolving computer problems . . . . . | 77 |
| Troubleshooting . . . . .                                 | 77 |
| Startup problems . . . . .                                | 77 |
| Audio problems . . . . .                                  | 78 |
| CD or DVD problems . . . . .                              | 79 |
| Intermittent problems . . . . .                           | 80 |
| Storage drive problems . . . . .                          | 80 |
| Ethernet LAN problems . . . . .                           | 80 |
| Wireless LAN problem . . . . .                            | 81 |
| Bluetooth problems . . . . .                              | 82 |
| Performance problems . . . . .                            | 82 |
| Serial connector problem . . . . .                        | 83 |
| USB device problems . . . . .                             | 83 |
| Software and driver problems . . . . .                    | 84 |
| Lenovo diagnostic tools . . . . .                         | 84 |
| Recovery information . . . . .                            | 84 |

**Chapter 8. Service checkout and symptom-to-FRU index . . . . . 87**

|  |    |
|--|----|
| Service checkout . . . . .               | 87 |
| Problem determination tips . . . . .     | 87 |
| Symptom-to-FRU index . . . . .           | 88 |
| Hard disk drive boot error . . . . .     | 88 |
| Power supply problems . . . . .          | 89 |
| Beep symptoms . . . . .                  | 89 |
| POST error codes . . . . .               | 90 |
| Miscellaneous error conditions . . . . . | 91 |
| Undetermined problems . . . . .          | 93 |

**Chapter 9. Hardware removal and installation . . . . . 95**

|   |     |
|---|-----|
| Handling static-sensitive devices . . . . .                       | 95  |
| Preparing your computer and removing the computer cover . . . . . | 95  |
| Removing and installing hardware . . . . .                        | 96  |
| External options . . . . .  | 96  |
| Front bezel . . . . .   | 97  |
| Power button . . . . .  | 97  |
| PCIe card . . . . .   | 98  |
| Memory module . . . . .   | 110 |
| Optical drive . . . . .   | 112 |
| Storage drive in the front-access storage enclosure . . . . .     | 115 |
| Device in the multi-drive conversion kit . . . . .                | 122 |

|   |     |
|---|-----|
| Coin-cell battery . . . . .                   | 133 |
| Cover presence switch . . . . .               | 134 |
| Power supply assembly . . . . .               | 135 |
| Heat-sink-and-fan assembly . . . . .          | 137 |
| Primary storage drive . . . . .               | 139 |
| Secondary storage drive . . . . .             | 141 |
| 2.5-inch storage drive . . . . .              | 143 |
| Front fan assembly . . . . .                  | 146 |
| Rear fan assembly . . . . .                   | 147 |
| Device in the 5.25-inch flex module . . . . . | 149 |
| M.2 solid-state drive . . . . .               | 163 |
| Thermal sensor . . . . .                      | 172 |
| Internal speaker . . . . .                    | 173 |
| Front audio and USB assembly . . . . .        | 175 |
| Card reader . . . . .                         | 176 |
| Wi-Fi units . . . . .                         | 177 |
| Microprocessor . . . . .                      | 184 |
| System board . . . . .                        | 187 |
| Completing the parts replacement . . . . .    | 191 |

**Chapter 10. Getting information, help, and service . . . . . 193**

|   |     |
|---|-----|
| Information resources . . . . .                         | 193 |
| Accessing the user guide in various languages . . . . . | 193 |
| Windows help system . . . . .                           | 193 |
| Safety and warranty . . . . .                           | 193 |
| Lenovo Web site . . . . .                               | 193 |
| Lenovo Support Web site . . . . .                       | 193 |
| Frequently asked questions . . . . .                    | 194 |
| Help and service . . . . .                              | 194 |
| Calling for service . . . . .                           | 194 |
| Using other services . . . . .                          | 195 |
| Purchasing additional services . . . . .                | 195 |

**Appendix A. System memory speed. . . . . 197**

**Appendix B. Supplemental information about the Ubuntu operating system . . . . . 199**

**Appendix C. Regulatory and TCO Certified information of countries and regions . . . . . 201**

**Appendix D. WEEE and recycling information of countries and regions . . . . . 205**

---

**Appendix E. Restriction of Hazardous Substances (RoHS) Directive of countries and regions. . . . . .209**

**Appendix F. ENERGY STAR model information. . . . . .211**

**Appendix G. Notices. . . . . .213**

**Appendix H. Trademarks . . . . . .215**



---

## About this manual

This manual provides service and reference information for ThinkStation® computers listed on the front cover.

Use this manual along with the advanced diagnostic tests to troubleshoot problems.

**Important:** This manual is intended only for trained service technicians who are familiar with ThinkStation computers. Use this manual along with the advanced diagnostic tests to troubleshoot problems effectively. Before servicing a ThinkStation computer, be sure to read and understand Chapter 1 “Read this first: Important safety information” on page 1.





---

# Chapter 1. Read this first: Important safety information

This chapter contains the safety information that you must be familiar with.

---

## Power cords and power adapters

Use only the power cords and power adapters supplied by the product manufacturer. Do not use the ac power cord for other devices.

The power cords shall be safety approved. For Germany, it shall be H05VV-F, 3G, 0.75 mm<sup>2</sup>, or better. For other countries, the suitable types shall be used accordingly.

Never wrap a power cord around a power adapter or other object. Doing so can stress the cord in ways that can cause the cord to fray, crack, or crimp. This can present a safety hazard.

Always route power cords so that they will not be walked on, tripped over, or pinched by objects.

Protect power cord and power adapters from liquids. For instance, do not leave your power cord or power adapter near sinks, tubs, toilets, or on floors that are cleaned with liquid cleansers. Liquids can cause a short circuit, particularly if the power cord or power adapter has been stressed by misuse. Liquids also can cause gradual corrosion of power cord terminals and/or the connector terminals on a power adapter, which can eventually result in overheating.

Ensure that all power cord connectors are securely and completely plugged into receptacles.

Do not use any power adapter that shows corrosion at the ac input pins or shows signs of overheating (such as deformed plastic) at the ac input or anywhere on the power adapter.

Do not use any power cords where the electrical contacts on either end show signs of corrosion or overheating or where the power cord appears to have been damaged in any way.

---

## General safety

Follow these rules to ensure general safety:

- Observe good housekeeping in the area of the machines during and after maintenance.
- When lifting any heavy object:
  1. Ensure you can stand safely without slipping.
  2. Distribute the weight of the object equally between your feet.
  3. Use a slow lifting force. Never move suddenly or twist when you attempt to lift.
  4. Lift by standing or by pushing up with your leg muscles; this action removes the strain from the muscles in your back.

**Attention:** Do not attempt to lift any objects that weigh more than 16 kg (35 lb) or objects that you think are too heavy for you.

- Do not perform any action that causes hazards to the customer, or that makes the equipment unsafe.
- Before you start the machine, ensure that other service representatives and the customer's personnel are not in a hazardous position.
- Place removed covers and other parts in a safe place, away from all personnel, while you are servicing the machine.

- Keep your tool case away from walk areas so that other people will not trip over it.
- Do not wear loose clothing that can be trapped in the moving parts of a machine. Ensure that your sleeves are fastened or rolled up above your elbows. If your hair is long, fasten it.
- Insert the ends of your necktie or scarf inside clothing or fasten it with a nonconductive clip, approximately 8 centimeters (3 inches) from the end.
- Do not wear jewelry, chains, metal-frame eyeglasses, or metal fasteners for your clothing.  
**Remember:** Metal objects are good electrical conductors.
- Wear safety glasses when you are: hammering, drilling, soldering, cutting wire, attaching springs, using solvents, or working in any other conditions that might be hazardous to your eyes.
- After service, reinstall all safety shields, guards, labels, and ground wires. Replace any safety device that is worn or defective.
- Reinstall all covers correctly before returning the machine to the customer.

**CAUTION:**



**Keep fingers and other parts of your body away from hazardous, moving parts. If you suffer an injury, seek medical care immediately.**

**CAUTION:**



**Avoid contact with hot components inside the computer. During operation, some components become hot enough to burn the skin. Before you open the computer cover, turn off the computer, disconnect power, and wait approximately 10 minutes for the components to cool.**

## Electrical safety



**CAUTION:**

**Electrical current from power, telephone, and communication cables can be hazardous. To avoid personal injury or equipment damage, disconnect the attached power cords, telecommunication systems, networks, and modems before you open the computer covers, unless instructed otherwise in the installation and configuration procedures.**

Observe the following rules when working on electrical equipment.

**Important:** Use only approved tools and test equipment. Some hand tools have handles covered with a soft material that does not insulate you when working with live electrical currents. Many customers have, near their equipment, rubber floor mats that contain small conductive fibers to decrease electrostatic discharges. Do not use this type of mat to protect yourself from electrical shock.

- Find the room emergency power-off (EPO) switch, disconnecting switch, or electrical outlet. If an electrical accident occurs, you can then operate the switch or unplug the power cord quickly.
- Do not work alone under hazardous conditions or near equipment that has hazardous voltages.
- Disconnect all power before:
  - Performing a mechanical inspection
  - Working near power supplies
  - Removing or installing Field Replaceable Units (FRUs)

- Before you start to work on the machine, unplug the power cord. If you cannot unplug it, ask the customer to power-off the wall box that supplies power to the machine and to lock the wall box in the off position.
- If you need to work on a machine that has exposed electrical circuits, observe the following precautions:
  - Ensure that another person, familiar with the power-off controls, is near you.  
**Remember:** Another person must be there to switch off the power, if necessary.
  - Use only one hand when working with powered-on electrical equipment; keep the other hand in your pocket or behind your back.  
**Remember:** There must be a complete circuit to cause electrical shock. By observing the above rule, you may prevent a current from passing through your body.
  - When using a tester, set the controls correctly and use the approved probe leads and accessories for that tester.
  - Stand on suitable rubber mats (obtained locally, if necessary) to insulate you from grounds such as metal floor strips and machine frames.

Observe the special safety precautions when you work with very high voltages; these instructions are in the safety sections of maintenance information. Use extreme care when measuring high voltages.

- Regularly inspect and maintain your electrical hand tools for safe operational condition.
- Do not use worn or broken tools and testers.
- *Never assume* that power has been disconnected from a circuit. First, *check* that it has been powered-off.
- Always look carefully for possible hazards in your work area. Examples of these hazards are moist floors, nongrounded power extension cables, power surges, and missing safety grounds.
- Do not touch live electrical circuits with the reflective surface of a plastic dental mirror. The surface is conductive; such touching can cause personal injury and machine damage.
- Do not service the following parts with the power on when they are removed from their normal operating places in a machine:
  - Power supply units
  - Pumps
  - Blowers and fans
  - Motor generators
 and similar units. (This practice ensures correct grounding of the units.)
- If an electrical accident occurs:
  - Use caution; do not become a victim yourself.
  - Switch off power.
  - Send another person to get medical aid.

---

## Safety inspection guide

The intent of this inspection guide is to assist you in identifying potentially unsafe conditions on these products. Each machine, as it was designed and built, had required safety items installed to protect users and service personnel from injury. This guide addresses only those items. However, good judgment should be used to identify potential safety hazards due to attachment of features or options not covered by this inspection guide.

If any unsafe conditions are present, you must determine how serious the apparent hazard could be and whether you can continue without first correcting the problem.

Consider these conditions and the safety hazards they present:

- Electrical hazards, especially primary power (primary voltage on the frame can cause serious or fatal electrical shock).
- Explosive hazards, such as a damaged CRT face or bulging capacitor
- Mechanical hazards, such as loose or missing hardware

The guide consists of a series of steps presented in a checklist. Begin the checks with the power off, and the power cord disconnected.

Checklist:

1. Check exterior covers for damage (loose, broken, or sharp edges).
2. Power-off the computer. Disconnect the power cord.
3. Check the power cord for:
  - a. A third-wire ground connector in good condition. Use a meter to measure third-wire ground continuity for 0.1 ohm or less between the external ground pin and frame ground.
  - b. The power cord should be the appropriate type as specified in the parts listings.
  - c. Insulation must not be frayed or worn.
4. Remove the cover.
5. Check for any obvious alterations. Use good judgment as to the safety of any alterations.
6. Check inside the unit for any obvious unsafe conditions, such as metal filings, contamination, water or other liquids, or signs of fire or smoke damage.
7. Check for worn, frayed, or pinched cables.
8. Check that the power-supply cover fasteners (screws or rivets) have not been removed or tampered with.

---

## Handling electrostatic discharge-sensitive devices

Any computer part containing transistors or integrated circuits (ICs) should be considered sensitive to electrostatic discharge (ESD). ESD damage can occur when there is a difference in charge between objects. Protect against ESD damage by equalizing the charge so that the machine, the part, the work mat, and the person handling the part are all at the same charge.

### Notes:

1. Use product-specific ESD procedures when they exceed the requirements noted here.
2. Make sure that the ESD protective devices you use have been certified (ISO 9000) as fully effective.

When handling ESD-sensitive parts:

- Keep the parts in protective packages until they are inserted into the product.
- Avoid contact with other people while handling the part.
- Wear a grounded wrist strap against your skin to eliminate static on your body.
- Prevent the part from touching your clothing. Most clothing is insulative and retains a charge even when you are wearing a wrist strap.
- Use the black side of a grounded work mat to provide a static-free work surface. The mat is especially useful when handling ESD-sensitive devices.
- Select a grounding system, such as those listed below, to provide protection that meets the specific service requirement.

**Note:** The use of a grounding system is desirable but not required to protect against ESD damage.

- Attach the ESD ground clip to any frame ground, ground braid, or green-wire ground.
- Use an ESD common ground or reference point when working on a double-insulated or battery-operated system. You can use coax or connector-outside shells on these systems.
- Use the round ground-prong of the ac plug on ac-operated computers.

---

## Grounding requirements

Electrical grounding of the computer is required for operator safety and correct system function. Proper grounding of the electrical outlet can be verified by a certified electrician.

---

## Safety notices (multi-lingual translations)

The caution and danger safety notices in this section are provided in the following languages:

- English
- Arabic
- Brazilian/Portuguese
- Chinese (simplified)
- Chinese (traditional)
- French
- German
- Hebrew
- Italian
- Korean
- Spanish



### DANGER

Electrical current from power, telephone and communication cables is hazardous.

#### To avoid a shock hazard:

- **Do not connect or disconnect any cables or perform installation, maintenance, or reconfiguration of this product during an electrical storm.**
- **Connect all power cords to a properly wired and grounded electrical outlet.**
- **Connect to properly wired outlets any equipment that will be attached to this product.**
- **When possible, use one hand only to connect or disconnect signal cables.**
- **Never turn on any equipment when there is evidence of fire, water, or structural damage.**
- **Disconnect the attached power cords, telecommunications systems, networks, and modems before you open the device covers, unless instructed otherwise in the installation and configuration procedures.**
- **Connect and disconnect cables as described in the following tables when installing, moving, or opening covers on this product or attached devices.**

| To Connect   | To Disconnect  |
|--|--|
| <ol style="list-style-type: none"> <li>1. Turn everything OFF.</li> <li>2. First, attach all cables to devices.</li> <li>3. Attach signal cables to connectors.</li> <li>4. Attach power cords to outlet.</li> <li>5. Turn device ON.</li> </ol> | <ol style="list-style-type: none"> <li>1. Turn everything OFF.</li> <li>2. First, remove power cords from outlet.</li> <li>3. Remove signal cables from connectors.</li> <li>4. Remove all cables from devices.</li> </ol> |



**CAUTION:**

When replacing the lithium battery, use only Part Number 45C1566 or an equivalent type battery recommended by the manufacturer. If your system has a module containing a lithium battery, replace it only with the same module type made by the same manufacturer. The battery contains lithium and can explode if not properly used, handled, or disposed of. *Do not:*

- Throw or immerse into water
- Heat to more than 100°C (212°F)
- Repair or disassemble

Dispose of the battery as required by local ordinances or regulations.



**CAUTION:**

When laser products (such as CD-ROMs, DVD-ROM drives, fiber optic devices, or transmitters) are installed, note the following:

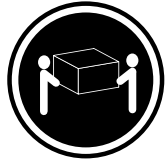
- Do not remove the covers. Removing the covers of the laser product could result in exposure to hazardous laser radiation. There are no serviceable parts inside the device.
- Use of controls or adjustments or performance of procedures other than those specified herein might result in hazardous radiation exposure.



**DANGER**

Some laser products contain an embedded Class 3A or Class 3B laser diode. Note the following: Laser radiation when open. Do not stare into the beam, do not view directly with optical instruments, and avoid direct exposure to the beam.

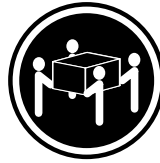




≥18 kg (37 lb)



≥32 kg (70.5 lb)

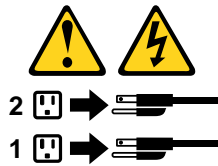


≥55 kg (121.2 lb)

**CAUTION:**  
Use safe practices when lifting.



**CAUTION:**  
The power control button on the device and the power switch on the power supply do not turn off the electrical current supplied to the device. The device also might have more than one power cord. To remove all electrical current from the device, ensure that all power cords are disconnected from the power source.



التيار الكهربائي الموجود بمصدر الطاقة أو أجهزة التليفون أو أسلاك الاتصالات يشكل خطورة.

لتفادي مخاطر الصدمات الكهربائية:

لا تحاول توصيل أو فصل أي أسلاك أو القيام بعمليات تركيب أو صيانة أو إعادة توصيف لهذا المنتج أثناء وجود عاصفة كهربائية.

يجب توصيل كل أسلاك الكهرباء في مخارج كهرباء ذات توصيلات أسلاك وتوصيلات أرضية صحيحة  
يجب توصيل أي جهاز سيتم الحاقه بهذا المنتج في مخارج كهرباء ذات توصيلات أسلاك صحيحة.

وإن أمكن يجب استخدام يد واحدة فقط في توصيل أو فصل أسلاك الإشارة.

لا تحاول تشغيل أي جهاز إذا كان هناك أثر لحرق أو مياه أو تلف بالمكونات

يجب فصل أسلاك الكهرباء وأنظمة الاتصالات وشبكات الاتصال وأجهزة المودم الملحقة قبل فتح أغطية الجهاز، ما لم يتم طلب خلاف ذلك في التعليمات الخاصة بالتركيب والتوصيف.  
قم بتوصيل وفصل الأسلاك كما هو موضح في الجدول التالي وذلك عند القيام بعمليات التركيب أو النقل أو فتح أغطية هذا المنتج أو الأجهزة الملحقة.

#### للفصل:

- قم بإيقاف كل شيء.
- أولاً، قم بفصل كل أسلاك الكهرباء من المخرج.
- قم بفصل أسلاك الإشارة من الموصلات.
- قم بفصل كل الأسلاك من الأجهزة.

#### للتوصيل:

- قم بإيقاف كل شيء.
- أولاً، قم بتوصيل كل الأسلاك بالأجهزة.
- قم بتوصيل أسلاك الإشارة في لموصلات.
- قم بتوصيل أسلاك الكهرباء في المخارج.
- قم بتشغيل الجهاز.



#### تنبيه :

عند استبدال البطارية الليثيوم، استخدم فقط رقم الجزء الخاص **Part Number 45C1566** أو نوع آخر يكون على نفس مستوى الكفاءة يحدده لك المصنع.

إذا كان النظام الخاص يستخدم معه بطارية ليثيوم قم باستبدالها بنفس النوع الذي تم صناعته من خلال نفس المصنع. تحتوي البطارية على مادة الليثيوم ويمكن أن تنفجر في حالة عدم استخدامها أو التعامل معها بطريقة صحيحة أو عند التخلص منها بطريقة خطأ.

لا تقم بـ:

- القاء البطارية أو غمرها في الماء
- تسخينها أعلى من ١٠٠ درجة مئوية (٢١٢ ° فهرنهايت)
- بتصلبها أو فكها

تخلص من البطارية طبقاً للقانون أو النظام المحلي .





تنبيه :  
أثناء تركيب منتجات ليزر (مثل CD-ROMs أو وحدة تشغيل DVD أو أجهزة Fiber Optic أو وحدات الإرسال) يجب مراعاة الآتي:

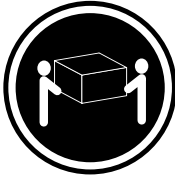
لا تنزع الأغطية. قد ينتج عن نزع أغطية منتج الليزر انفجار أشعة الليزر شديدة الخطورة.  
لا يوجد أجزاء يمكن تغييرها داخل الجهاز. قد ينتج عن استخدام تحكيمات أو تعديلات أو عمل أي تصرفات أخرى تخالف ما هو محدد هنا إلى انفجار أشعة شديدة الخطورة.



خطر

تحتوي بعض منتجات الليزر على الفئة دايود ليزر مدمج من الفئة Class 3A أو Class 3B. يجب مراعاة الآتي .

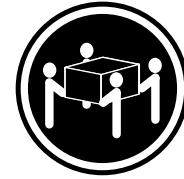
أشعة الليزر عند الفتح. لا تحديق إلى الإشعاع و لا تنظر اليه مباشرة بواسطة أي أجهزة مرئية وتجنب التعرض المباشر للإشعاع .



≥18 kg (37 lb)



≥32 kg (70.5 lb)



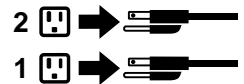
≥55 kg (121.2 lb)

تنبيه :  
يجب استخدام ممارسات أمانة عند الرفع



تنبيه :

لا يقيم زر التحكم في التشغيل الموجود على الجهاز والمفتاح الكهربائي الموجود على لوحة التحكم بإيقاف التيار الكهربائي المار بالجهاز. قد يكون للجهاز أكثر من سلك كهربائي واحد. لإيقاف التيار الكهربائي المار بالجهاز، تأكد من فصل جميع أسلاك الكهرباء من مصدر الكهرباء .



## PERIGO

A corrente elétrica proveniente de cabos de alimentação, de telefone e de comunicações é perigosa.

Para evitar risco de choque elétrico:

- Não conecte nem desconecte nenhum cabo ou execute instalação, manutenção ou reconfiguração deste produto durante uma tempestade com raios.
- Conecte todos os cabos de alimentação a tomadas elétricas corretamente instaladas e aterradas.
- Todo equipamento que for conectado a este produto deve ser conectado a tomadas corretamente instaladas.
- Quando possível, utilize apenas uma das mãos para conectar ou desconectar cabos de sinal.
- Nunca ligue nenhum equipamento quando houver evidência de fogo, água ou danos estruturais.
- Antes de abrir tampas de dispositivos, desconecte cabos de alimentação, sistemas de telecomunicação, redes e modems conectados, a menos que especificado de maneira diferente nos procedimentos de instalação e configuração.
- Conecte e desconecte os cabos conforme descrito na tabela apresentada a seguir ao instalar, mover ou abrir tampas deste produto ou de dispositivos conectados.

| Para Conectar:   | Para Desconectar:  |
|--|--|
| <ol style="list-style-type: none"><li>1. DESLIGUE Tudo.</li><li>2. Primeiramente, conecte todos os cabos aos dispositivos.</li><li>3. Conecte os cabos de sinal aos conectores.</li><li>4. Conecte os cabos de alimentação às tomadas.</li><li>5. LIGUE os dispositivos.</li></ol> | <ol style="list-style-type: none"><li>1. DESLIGUE Tudo.</li><li>2. Primeiramente, remova os cabos de alimentação das tomadas.</li><li>3. Remova os cabos de sinal dos conectores.</li><li>4. Remova todos os cabos dos dispositivos.</li></ol> |



### CUIDADO:

**Ao substituir a bateria de lítio, utilize apenas uma bateria com Número de Peça 45C1566 ou um tipo de bateria equivalente recomendado pelo Se o seu sistema possui um módulo com uma bateria de lítio, substitua-o apenas por um módulo do mesmo tipo e do mesmo fabricante. A bateria contém lítio e pode explodir se não for utilizada, manuseada ou descartada de maneira correta.**

Não:

- Jogue ou coloque na água
- Aqueça a mais de 100°C (212°F)
- Conserte nem desmonte

Descarte a bateria conforme requerido pelas leis ou regulamentos locais.



### PRECAUCIÓN:

Quando produtos a laser (como unidades de CD-ROMs, unidades de DVD-ROM, dispositivos de fibra ótica ou transmissores) estiverem instalados, observe o seguinte:

- Não remova as tampas. A remoção das tampas de um produto a laser pode resultar em exposição prejudicial à radiação de laser. Não existem peças que podem ser consertadas no interior do dispositivo.
- A utilização de controles ou ajustes ou a execução de procedimentos diferentes dos especificados aqui pode resultar em exposição prejudicial à radiação.

## PERIGO

Alguns produtos a laser contêm diodo de laser integrado da Classe 3A ou da Classe 3B. Observe o seguinte:

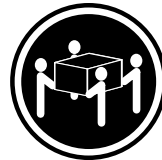
Radiação a laser quando aberto. Não olhe diretamente para o feixe a olho nu ou com instrumentos ópticos e evite exposição direta ao feixe.



≥18 kg (37 lb)



≥32 kg (70.5 lb)



≥55 kg (121.2 lb)

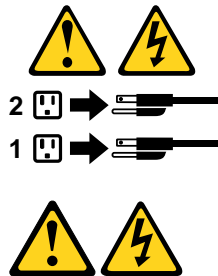
## CUIDADO:

Utilize procedimentos de segurança para levantar equipamentos.



## CUIDADO:

O botão de controle de alimentação do dispositivo e o botão para ligar/desligar da fonte de alimentação não desligam a corrente elétrica fornecida ao dispositivo. O dispositivo também pode ter mais de um cabo de alimentação. Para remover toda a corrente elétrica do dispositivo, assegure que todos os cabos de alimentação estejam desconectados da fonte de alimentação.



危险

电源、电话和通信电缆中的电流是危险的。

为避免电击危险：

- 请勿在雷电期间连接或断开任何电缆的连接，或者对本产品进行安装、维护或重新配置。
- 将所有电源线连接到正确连线和妥善接地的电源插座。
- 将所有要连接到该产品的设备连接到正确连线的插座。
- 如果可能，请仅使用一只手来连接或断开信号电缆的连接。
- 切勿在有火、水、结构损坏迹象的情况下开启任何设备。
- 在打开设备外盖之前请断开已连接的电源线、远程通信系统、网络和调制解调器，除非在安装和配置过程中另有说明。
- 当安装、移动或打开该产品或连接设备的外盖时，请按照下表所述来连接或断开电缆的连接。

| 要连接   | 要断开连接  |
|---|--|
| <ol style="list-style-type: none"><li>1. 切断所有电源。</li><li>2. 首先将所有电缆连接到设备。</li><li>3. 将信号电缆连接到接口。</li><li>4. 将电源线连接到插座。</li><li>5. 开启设备。</li></ol> | <ol style="list-style-type: none"><li>1. 切断所有电源。</li><li>2. 首先从插座上拔出电源线。</li><li>3. 从接口上拔出信号电缆。</li><li>4. 从设备上拔出所有电缆。</li></ol> |



警告：  
更换锂电池时，请仅使用部件号为 45C1566 的电池或制造商推荐的同类电池。如果您的系统有包含锂电池的模块，请仅使用同一制造商生产的相同模块类型来替换该模块。该电池中含有锂，如果使用、操作或处理不当，可能会发生爆炸。

切勿：

- 投入或浸入水中
- 加热到 100 °C (212 °F) 以上
- 维修或拆卸

请按照当地法令或条例的要求处理电池。



警告：  
安装激光产品（例如 CD-ROM、DVD-ROM 驱动器、光纤设备或发射设备）时，请注意以下声明：

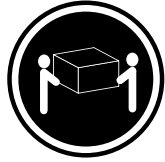
- 请勿卸下外盖。卸下激光产品的外盖可能导致遭受激光辐射的危险。该设备内没有可维修的部件。
- 如果不按照此处指定的过程进行控制、调整或操作，则有可能导致遭受辐射的危险。



危险

某些激光产品包含嵌入式 3A 类或 3B 类激光二极管。请注意以下声明：

打开后有激光辐射。请勿注视光束，请勿直接用光学仪器查看，并请避免直接暴露在光束中。

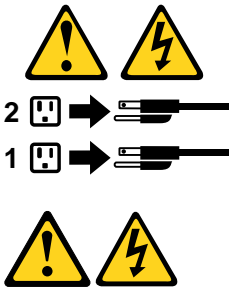


≥18 千克 (37 磅)    ≥32 千克 (70.5 磅)    ≥55 千克 (121.2 磅)

警告：  
抬起时请采取安全措施。



警告：  
设备上的电源控制按钮和电源上的电源开关不会切断供给该设备的电流。该设备还可能有多条电源线。要切断该设备的所有电流，请确保所有电源线都与电源断开连接。



## 危險

電源、電話及通訊纜線上的電流都具有危險性。

若要避免觸電危險：

- 請勿在雷雨期間，連接或拔除纜線、執行安裝、維護或重新配置本產品。
- 將所有電源線連接到正確配線及接地的電源插座。
- 任何與本產品連接的設備都必須連接到配線妥當的電源插座。
- 請盡可能用單手連接或拔除信號線。
- 發生火災、水災或結構損害時，絕對不要開啟任何設備。
- 除非在安裝及配置程序中另有指示，否則在開啟裝置機蓋之前，請拔掉連接的電源線、電信系統、網路及數據機。
- 安裝、移動或開啟本產品或附屬裝置的機蓋時，請遵循下列說明連接及拔掉纜線。

| 連線   | 切斷連線  |
|--|---|
| <ol style="list-style-type: none"><li>1. 關閉所有開關。</li><li>2. 首先，連接所有接線到裝置。</li><li>3. 連接信號線到接頭。</li><li>4. 連接電源線到插座。</li><li>5. 開啟裝置。</li></ol> | <ol style="list-style-type: none"><li>1. 關閉所有開關。</li><li>2. 首先，拔掉插座上的電源線。</li><li>3. 拔掉接頭上的信號線。</li><li>4. 拔掉裝置上所有接線。</li></ol> |



### 警告：

更換鋰電池時，請僅使用產品編號 **45C1566** 或製造商所建議的同類型電池。  
如果您的系統中含有鋰電池模組，請僅使用同一家製造商所生產的相同模組進行更換。  
如果未以正確方式使用、處理或棄置含鋰的電池，會有爆炸的危險。  
請勿：

- 沾溼或浸入水中
  - 置於 **100°C (212°F)** 以上的高溫環境
  - 修理或拆開
- 請按照各地區有關廢棄電池的法令和規定處理舊電池。



### 警告：

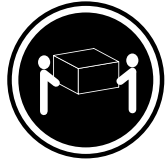
- 請勿移除機蓋。移除雷射產品的機蓋，可能會導致暴露在危險的雷射輻射中。裝置內部並無可自行維修的零件。
- 利用或執行非本文中所指定的控制、調整及執行程序，可能會導致危險的輻射外洩。



## 危險

部分雷射產品含有內嵌式 **Class 3A** 或 **Class 3B** 雷射二極體。請注意下列事項：  
在開啟光碟機時，會發生雷射輻射。請勿直視光束或用光學儀器直接檢視，並避免直接暴露在光束中。





≥ 18 公斤 (37 磅)



≥ 32 公斤 (70.5 磅)

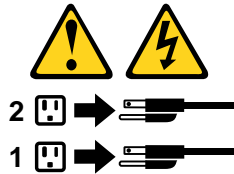


≥ 55 公斤 (121.2 磅)

警告：  
搬運時請注意安全。



警告：  
裝置上的電源控制按鈕及電源供應器上的電源開關，無法關閉裝置所產生的電流。  
該裝置可能有多條電源線。若要除去裝置流出的所有電流，請確認已切斷所有電源線的電源。



## DANGER

Le courant électrique provenant de l'alimentation, du téléphone et des câbles de transmission peut présenter un danger.

Pour éviter tout risque de choc électrique :

- Ne manipulez aucun câble et n'effectuez aucune opération d'installation, d'entretien ou de reconfiguration de ce produit au cours d'un orage.
- Branchez tous les cordons d'alimentation sur un socle de prise de courant correctement câblé et mis à la terre.
- Branchez sur des socles de prise de courant correctement câblés tout équipement connecté à ce produit.
- Lorsque cela est possible, n'utilisez qu'une seule main pour connecter ou déconnecter les câbles d'interface.
- Ne mettez jamais un équipement sous tension en cas d'incendie ou d'inondation, ou en présence de dommages matériels.
- Avant de retirer les carters de l'unité, mettez celle-ci hors tension et déconnectez ses cordons d'alimentation, ainsi que les câbles qui la relient aux réseaux, aux systèmes de télécommunication et aux modems (sauf instruction contraire mentionnée dans les procédures d'installation et de configuration).
- Lorsque vous installez, que vous déplacez, ou que vous manipulez le présent produit ou des périphériques qui lui sont raccordés, reportez-vous aux instructions ci-dessous pour connecter et déconnecter les différents cordons.

| Connexion   | Déconnexion  |
|---|--|
| <ol style="list-style-type: none"> <li>1. Mettez les unités HORS TENSION.</li> <li>2. Commencez par brancher tous les cordons sur les unités.</li> <li>3. Branchez les câbles d'interface sur des connecteurs.</li> <li>4. Branchez les cordons d'alimentation sur des prises.</li> <li>5. Mettez les unités SOUS TENSION.</li> </ol> | <ol style="list-style-type: none"> <li>1. Mettez les unités HORS TENSION.</li> <li>2. Débranchez les cordons d'alimentation des prises.</li> <li>3. Débranchez les câbles d'interface des connecteurs.</li> <li>4. Débranchez tous les câbles des unités.</li> </ol> |



#### ATTENTION:

Remplacer la pile au lithium usagée par une pile de référence identique exclusivement, (référence 45C1566), ou suivre les instructions du fabricant qui en définit les équivalences. Si votre système est doté d'un module contenant une pile au lithium, vous devez le remplacer uniquement par un module identique, produit par le même fabricant. La pile contient du lithium et peut exploser en cas de mauvaise utilisation, de mauvaise manipulation ou de mise au rebut inappropriée.

Ne pas :

- la jeter à l'eau,
- l'exposer à des températures supérieures à 100°C,
- chercher à la réparer ou à la démonter.

Ne pas mettre la pile à la poubelle. Pour la mise au rebut, se reporter à la réglementation en vigueur.



#### ATTENTION:

Si des produits à laser (tels que des unités de CD-ROM, de DVD-ROM, des unités à fibres optiques, ou des émetteurs) sont installés, prenez connaissance des informations suivantes :

- Ne retirez pas le carter. En ouvrant l'unité de CD-ROM ou de DVD-ROM, vous vous exposez au rayonnement dangereux du laser. Aucune pièce de l'unité n'est réparable.
- Pour éviter tout risque d'exposition au rayon laser, respectez les consignes de réglage et d'utilisation des commandes, ainsi que les procédures décrites dans le présent manuel.

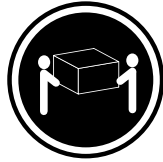


#### DANGER

Certains produits à laser contiennent une diode à laser intégrée de classe 3A ou 3B. Prenez connaissance des informations suivantes:

Rayonnement laser lorsque le carter est ouvert. Evitez toute exposition directe au rayon laser. Evitez de regarder fixement le faisceau ou de l'observer à l'aide d'instruments optiques.





≥18 kg (37 lb)



≥32 kg (70.5 lb)



≥55 kg (121.2 lb)

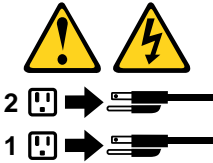
#### ATTENTION:

Soulevez la machine avec précaution.



#### ATTENTION:

L'interrupteur de contrôle d'alimentation de l'unité et l'interrupteur dubloc d'alimentation ne coupent pas le courant électrique alimentant l'unité. En outre, le système peut être équipé de plusieurs cordons d'alimentation. Pour mettre l'unité hors tension, vous devez déconnecter tous les cordons de la source d'alimentation.



#### VORSICHT

An Netz-, Telefon- und Datenleitungen können gefährliche Spannungen anliegen.

#### Aus Sicherheitsgründen:

- Bei Gewitter an diesem Gerät keine Kabel anschließen oder lösen. Ferner keine Installations-, Wartungs- oder Rekonfigurationsarbeiten durchführen.
- Gerät nur an eine Schutzkontaktsteckdose mit ordnungsgemäß geerdetem Schutzkontakt anschließen.
- Alle angeschlossenen Geräte ebenfalls an Schutzkontaktsteckdosen mit ordnungsgemäß geerdetem Schutzkontakt anschließen.
- Die Signalkabel nach Möglichkeit einhändig anschließen oder lösen, um einen Stromschlag durch Berühren von Oberflächen mit unterschiedlichem elektrischem Potenzial zu vermeiden.
- Geräte niemals einschalten, wenn Hinweise auf Feuer, Wasser oder Gebäudeschäden vorliegen.

- Die Verbindung zu den angeschlossenen Netzkabeln, Telekommunikationssystemen, Netzwerken und Modems ist vor dem Öffnen des Gehäuses zu unterbrechen, sofern in den Installations- und Konfigurationsprozeduren keine anders lautenden Anweisungen enthalten sind.
- Zum Installieren, Transportieren und Öffnen der Abdeckungen des Computers oder der angeschlossenen Einheiten die Kabel gemäß der folgenden Tabelle anschließen und abziehen.

| Zum Anschließen der Kabel gehen Sie wie folgt vor  | Zum Abziehen der Kabel gehen Sie wie folgt vor   |
|--|--|
| <ol style="list-style-type: none"> <li>1. Schalten Sie alle Einheiten AUS.</li> <li>2. Schließen Sie erst alle Kabel an die Einheiten an.</li> <li>3. Schließen Sie die Signalkabel an die Buchsen an.</li> <li>4. Schließen Sie die Netzkabel an die Steckdose an.</li> <li>5. Schalten Sie die Einheit EIN.</li> </ol> | <ol style="list-style-type: none"> <li>1. Schalten Sie alle Einheiten AUS.</li> <li>2. Ziehen Sie zuerst alle Netzkabel aus den Netzsteckdosen.</li> <li>3. Ziehen Sie die Signalkabel aus den Buchsen.</li> <li>4. Ziehen Sie alle Kabel von den Einheiten ab.</li> </ol> |



**CAUTION:**

Eine verbrauchte Lithiumbatterie nur durch eine Batterie mit der Teilenummer 45C1566 oder eine gleichwertige, vom Hersteller empfohlene Batterie ersetzen. Enthält das System ein Modul mit einer Lithiumbatterie, dieses nur durch ein Modul desselben Typs und von demselben Hersteller ersetzen. Die Batterie enthält Lithium und kann bei unsachgemäßer Verwendung, Handhabung oder Entsorgung explodieren.

Die Batterie nicht:

- mit Wasser in Berührung bringen.
- über 100 C erhitzen.
- reparieren oder zerlegen.

Die örtlichen Bestimmungen für die Entsorgung von Sondermüll beachten.



**ACHTUNG:**

**Bei der Installation von Lasergeräten (wie CD-ROM-Laufwerken, DVD- aufwerken, Einheiten mit Lichtwellenleitertechnik oder Sendern) Folgendes beachten:**

- Die Abdeckungen nicht entfernen. Durch Entfernen der Abdeckungen des Lasergeräts können gefährliche Laserstrahlungen freigesetzt werden. Das Gerät enthält keine zu wartenden Teile.
- Werden Steuerelemente, Einstellungen oder Durchführungen von Prozeduren anders als hier angegeben verwendet, kann gefährliche Laserstrahlung auftreten.



**VORSICHT**

**Einige Lasergeräte enthalten eine Laserdiode der Klasse 3A oder 3B. Beachten Sie Folgendes:**

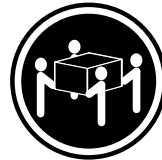
**Laserstrahlung bei geöffneter Verkleidung. Nicht in den Strahl blicken. Keine Lupen oder Spiegel verwenden. Strahlungsbereich meiden.**



≥18 kg



≥32 kg



≥55 kg

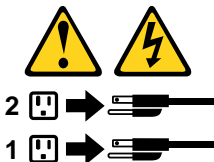
**ACHTUNG:**

**Arbeitsschutzrichtlinien beim Anheben der Maschine beachten.**



**ACHTUNG:**

**Mit dem Netzschalter an der Einheit und am Netzteil wird die Stromversorgung für die Einheit nicht unterbrochen. Die Einheit kann auch mit mehreren Netzkabeln ausgestattet sein. Um die Stromversorgung für die Einheit vollständig zu unterbrechen, müssen alle zum Gerät führenden Netzkabel vom Netz getrennt werden.**



## סכנה

זרם חשמלי המועבר בכבלי חשמל, טלפון ותקשורת הוא מסוכן.

כדי להימנע מסכנת התחשמלות:

- אל תחברו או תנתקו כבלים, ואל תבצעו פעולת התקנה, תחזוקה או שינוי תצורה במוצר זה במהלך סופת ברקים.
- חברו את כל כבלי החשמל לשקע חשמל מחווט ומארק כהלכה.
- חברו כל ציוד שיחובר למוצר זה לשקעי חשמל מחוטים כהלכה.
- במידת האפשר, השתמשו ביד אחת בלבד לחיבור או לניתוק של כבלי אותות.
- לעולם אל תפעילו ציוד כלשהו כאשר יש עדות לנזק מבני או לנזק כתוצאה מאש או ממים.
- נתקו את כבלי החשמל, מערכות התקשורת, התקני הרשת והמודמים המחוברים לפני פתיחת כיסויי ההתקן, אלא אם הליכי ההתקנה וקביעת התצורה מורים אחרת.
- בעת התקנה, העברה או פתיחת כיסויים במוצר זה או בהתקנים המחוברים, חברו ונתקו את הכבלים כמתואר בטבלה שלהלן.

| כדי לחבר                             | כדי לנתק                              |
|--------------------------------------|---------------------------------------|
| 1. כבו הכל.                          | 1. כבו הכל.                           |
| 2. ראשית, חברו את כל הכבלים להתקנים. | 2. ראשית, נתקו את כבלי החשמל מהשקעים. |
| 3. חברו את כבלי האותות למחברים.      | 3. נתקו את כבלי האותות מהמחברים.      |
| 4. חברו את כבלי החשמל לשקעים.        | 4. הסירו את כל הכבלים מההתקנים.       |
| 5. הפעילו את ההתקן.                  |                                       |



זהירות:

בעת החלפת סוללת סוללת הליתיום, השתמשו רק בסוללה בעלת מק"ט 45C1566 או בסוג תואם שהומלץ על ידי היצרן. אם המערכת כוללת מודול המכיל סוללת ליתיום, החליפו אותו רק במודול מאותו סוג ומתוצרת אותו יצרן. הסוללה מכילה ליתיום, ועלולה להתפוצץ אם לא משתמשים ומטפלים בה או משליכים אותה כראוי.

לעולם:

- אל תטבלו במים
  - אל תחממו לטמפרטורה הגבוהה מ-100°C (212°F)
  - אל תתקנו או תפרקו
- השליכו את הסוללה כנדרש לפי התקנות והחוקים המקומיים.



זהירות:

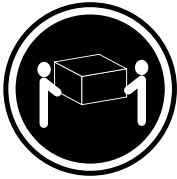
בעת התקנת מוצרי לייזר (כגון כונני תקליטורים ו-DVD, התקני סיב אופטי או משדרים), שימו לב לאזהרות הבאות:

- אל תסירו את הכיסויים. הסרת הכיסויים של מוצר הלייזר עלולה לגרום לחשיפה לקרינת לייזר מסוכנת. אין חלקים ברי טיפול בתוך ההתקן.
- שינויים, שימוש בבקורות או ביצוע הליכים אחרים מאלה המתוארים כאן, עלולים לגרום לחשיפה לקרינה מסוכנת.

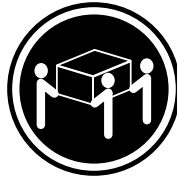


סכנה

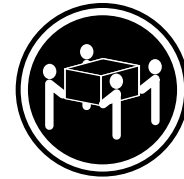
מוצרי ליזר מסוימים מכילים דיודת ליזר מסוג Class 3A או Class 3B. שימו לב לאזהרה הבאה:  
כאשר הוא פתוח, המוצר פולט קרינת ליזר. אל תביטו ישירות בקרן, אל תביטו ישירות בעזרת ציוד אופטי,  
והימענו מחשיפה לקרן.



≤ 18 ק"ג (37 ליב')



≤ 32 ק"ג (70.5 ליב')



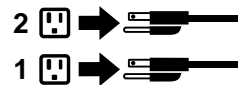
≤ 55 ק"ג (121.2 ליב')

זהירות:  
השתמשו בהליכים  
הנאותים בעת  
הרמת הציוד.



זהירות:

לחצן ההפעלה של ההתקן ומתג ההפעלה של ספק החשמל אינם מפסיקים את זרם החשמל המסופק להתקן.  
בנוסף, ההתקן עשוי לכלול יותר מכבל חשמל אחד. כדי לסלק את כל הזרם החשמלי מההתקן,  
ודאו שכל כבלי החשמל מנותקים ממקור החשמל.



## PERICOLO

La corrente elettrica proveniente dai cavi di alimentazione, del telefono e di comunicazione può essere pericolosa.

**Per evitare il rischio di scosse elettriche:**

- Non collegare o scollegare qualsiasi cavo oppure effettuare l'installazione, la manutenzione o la riconfigurazione del prodotto durante un temporale.
- Collegare tutti i fili elettrici a una presa di alimentazione correttamente cablata e dotata di messa a terra.
- Collegare alle prese elettriche appropriate tutte le apparecchiature che verranno utilizzate per questo prodotto.
- Se possibile, utilizzare solo una mano per collegare o scollegare i cavi di segnale.
- Non accendere assolutamente apparecchiature in presenza di incendi, perdite d'acqua o danno strutturale.
- Scollegare i cavi di alimentazione, i sistemi di telecomunicazione, le reti e il modem prima di aprire i coperchi del dispositivo, salvo istruzioni contrarie relative alle procedure di installazione e configurazione.
- Collegare e scollegare i cavi come descritto nella seguente tabella quando vengono effettuate operazioni di installazione, spostamento o apertura dei coperchi di questo prodotto o delle unità collegate.

| Per collegarsi   | Per scollegarsi  |
|--|--|
| <ol style="list-style-type: none"> <li>1. SPEGNERE le apparecchiature.</li> <li>2. Innanzitutto, collegare tutti i cavi alle unità.</li> <li>3. Collegare i cavi di segnale ai connettori.</li> <li>4. Collegare i cavi di alimentazione alla presa.</li> <li>5. Accendere l'unità.</li> </ol> | <ol style="list-style-type: none"> <li>1. SPEGNERE le apparecchiature.</li> <li>2. Innanzitutto, rimuovere i cavi di alimentazione dalla presa.</li> <li>3. Rimuovere i cavi di segnale dai connettori.</li> <li>4. Rimuovere tutti i cavi dalle unità.</li> </ol> |



#### ATTENZIONE:

Quando si sostituisce la batteria al litio, utilizzare solo il Numero parte 45C1566 o un tipo di batteria equivalente consigliato dal produttore. Se sul sistema è presente un modulo che contiene una batteria al litio, sostituirlo solo con un tipo di modulo dello stesso tipo della stessa casa di produzione. La batteria contiene litio e può esplodere se usata, maneggiata o smaltita in modo non corretto.

*Non:*

- Gettare o immergere la batteria nell'acqua
- Riscaldarla ad una temperatura superiore ai 100 gradi C (212 gradi F)
- Smontarla, ricaricarla o tentare di ripararla

Le batterie usate vanno smaltite in accordo alla normativa in vigore (DPR 915/82 e successive disposizioni e disposizioni locali).



#### ATTENZIONE:

Quando vengono installati prodotti laser (quali CD-ROM, unità DVD-ROM, unità a fibre ottiche o trasmettenti), tener presente quanto segue:

- Non rimuovere gli sportelli. L'apertura di un'unità laser può determinare l'esposizione a radiazioni laser pericolose. All'interno dell'unità non vi sono parti su cui effettuare l'assistenza tecnica.
- L'utilizzo di controlli, regolazioni o l'esecuzione di procedure non descritti nel presente manuale possono provocare l'esposizione a radiazioni pericolose.



## PERICOLO

Alcune unità laser contengono un diodo laser di Classe 3A o Classe 3B. Tener presente quanto segue:

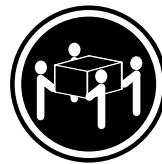
Aperto l'unità vengono emesse radiazioni laser. Non fissare il fascio, non guardarlo direttamente con strumenti ottici ed evitare l'esposizione al fascio.



≥18 kg



≥32 kg



≥55 kg

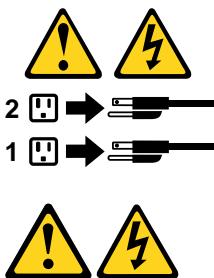
## ATTENZIONE:

Prestare attenzione nel sollevare l'apparecchiatura.



## ATTENZIONE:

Il pulsante di controllo dell'alimentazione presente sull'unità e l'interruttore dell'alimentatore non disattivano l'alimentazione corrente fornita all'unità. E' possibile che l'unità disponga di più cavi di alimentazione. Per disattivare l'alimentazione dall'unità, accertarsi che tutti i cavi di alimentazione siano scollegati dalla fonte di alimentazione.



## 위험

전원, 전화, 통신 케이블의 전류는 위험합니다.

감전의 위험을 피하려면 다음과 같이 하십시오.

- 번개가 치는 날에는 케이블을 연결 또는 분리하거나 본 제품을 설치, 보수, 재구성하지 마십시오.
- 모든 전원 코드는 올바르게 접지된 전기 콘센트에 연결하십시오.
- 본 제품에 연결될 장치는 올바르게 배선된 콘센트에 연결하십시오.
- 신호 케이블을 연결 또는 분리할 때 가능하면 한 손만을 사용하십시오.
- 불 또는 물로 인한 손상이나 구조적인 손상이 있을 경우 장치의 전원을 절대 켜지 마십시오.
- 설치 및 구성 과정에 별도의 지시 사항이 없는 경우, 장치의 덮개를 열기 전에 연결된 전원 코드, 원격 통신 시스템, 네트워크, 모뎀을 분리하십시오.
- 본 제품이나 연결된 장치를 설치, 이동하거나 덮개를 열 때 다음 표와 같은 순서로 케이블을 연결하거나 분리하십시오.

| 연결할 때:  | 분리할 때:  |
|---|---|
| <ol style="list-style-type: none"><li>1. 모든 장치의 전원을 끄십시오.</li><li>2. 먼저 모든 케이블을 장치에 연결하십시오.</li><li>3. 커넥터에 신호 케이블을 연결하십시오.</li><li>4. 콘센트에 전원 코드를 연결하십시오.</li><li>5. 장치의 전원을 켜십시오.</li></ol> | <ol style="list-style-type: none"><li>1. 모든 장치의 전원을 끄십시오.</li><li>2. 먼저 콘센트에서 전원 코드를 분리하십시오.</li><li>3. 커넥터에서 신호 케이블을 분리하십시오.</li><li>4. 장치에서 모든 케이블을 분리하십시오.</li></ol> |



### 주의:

배터리를 교환할 때는 Part Number 45C1566 또는 제조업체에서 지정한 동일한 종류의 제품을 사용하십시오. 사용자의 시스템이 리튬 배터리를 포함하는 모듈일 경우, 동일한 제조업체에서 동일한 모듈 유형으로 생산된 제품으로 교체하십시오. 배터리에는 리튬이 함유되어 있어 잘못 사용, 취급 또는 폐기할 경우 폭발의 위험이 있습니다.

사고를 방지하려면 다음 사항을 준수하십시오.

- 배터리를 물 속에 던지거나 침수시키지 마십시오.
- 100°C (212°F) 이상 가열하지 마십시오.
- 수리하거나 분해하지 마십시오.

배터리를 폐기할 때는 법령 또는 회사의 안전 수칙에 따라 폐기하십시오.



### 주의:

CD-ROM, DVD-ROM 장치, 광섬유 장치 또는 송신 장치와 같은 레이저 제품을 설치할 때, 다음과 같은 취급 주의사항을 참고하십시오.

- 덮개를 열지 마십시오. 덮개를 열면 레이저 복사 에너지에 노출될 위험이 있습니다. 장치 내부에는 사용자가 조정하거나 수리할 수 있는 부품이 없습니다.
- 규정된 것 이외의 절차 수행, 제어 조정 등의 행위로 인해 해로운 레이저 복사에 노출될 수 있습니다.

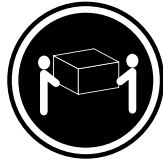




## 위험

일부 장비에는 임베디드 클래스 3A 또는 클래스 3B 레이저 다이오드가 있습니다. 다음 주의사항에 유의하십시오.

드라이브가 열리면 레이저 복사 에너지가 방출됩니다. 광선이 눈에 직접 쏘이지 않도록 하십시오. 나안 또는 광학 기구를 착용한 상태에서 광선을 직접 바라보지 않도록 하십시오.



≥ 18 kg (37 lbs)



≥ 32 kg (70.5 lbs)

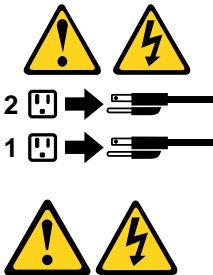


≥ 55 kg (121.2 lbs)

주의:  
제품을 들어 올릴 때  
안전 규제를 따르십시오.



주의:  
장치의 전원 제어 버튼 및 전원 공급 장치의 전원 스위치를 사용하여 장치에 공급되는 전기를 차단하지 마십시오.  
장치는 둘 이상의 코드를 가지고 있을 수 있습니다. 장치에서 모든 전원을 차단하려면 콘센트에서 코드가 모두  
분리되어 있는지 확인하십시오.



## PELIGRO

La corriente eléctrica procedente de cables de alimentación, teléfonos y cables de comunicación puede ser peligrosa.

**Para evitar el riesgo de descarga eléctrica:**

- **No conecte ni desconecte los cables ni realice ninguna tarea de instalación, mantenimiento o reconfiguración de este producto durante una tormenta eléctrica.**
- **Conecte todos los cables de alimentación a tomas de corriente debidamente cableadas y conectadas a tierra.**
- **Cualquier equipo que se conecte a este producto también debe conectarse a tomas de corriente debidamente cableadas.**
- **Siempre que sea posible, utilice una sola mano para conectar o desconectar los cables de señal.**

- No encienda nunca un equipo cuando hay señales de fuego, agua o daños estructurales.
- Desconecte los cables de alimentación, los sistemas de telecomunicaciones, las redes y los módems conectados antes de abrir las cubiertas de los dispositivos, a menos que se indique lo contrario en los procedimientos de instalación y configuración.
- Conecte y desconecte los cables, como se describe en la tabla siguiente, cuando instale, mueva o abra las cubiertas de este producto o de los dispositivos conectados.

| Para conectar   | Para desconectar   |
|---|--|
| <ol style="list-style-type: none"> <li>1. APÁGUELO todo.</li> <li>2. En primer lugar, conecte todos los cables a los dispositivos.</li> <li>3. Conecte los cables de señal a los conectores.</li> <li>4. Enchufe los cables de alimentación a las tomas de corriente.</li> <li>5. Encienda el dispositivo.</li> </ol> | <ol style="list-style-type: none"> <li>1. APÁGUELO todo.</li> <li>2. En primer lugar, desenchufe los cables de alimentación de las tomas de corriente.</li> <li>3. Desconecte los cables de señal de los conectores.</li> <li>4. Desconecte todos los cables de los dispositivos.</li> </ol> |



#### PRECAUCIÓN:

Quando sustituya una batería de litio, utilice solamente una batería número de pieza 45C1566 u otra de tipo equivalente recomendada por el fabricante. Si su sistema dispone de un módulo que contiene una batería de litio, reemplácelo sólo con el mismo tipo de módulo, del mismo fabricante. La batería contiene litio y puede explotar si no se utiliza, manipula o desecha correctamente.

*No debe:*

- Arrojarla al agua o sumergirla en ella
- Exponerla a temperaturas superiores a 100°C (212°F)
- Repararla o desmontarla

Deshágase de la batería según especifiquen las leyes o normas locales.



#### PRECAUCIÓN:

Quando haya productos láser (como unidades de CD-ROM, unidades de DVD, dispositivos de fibra óptica o transmisores) instalados, tenga en cuenta lo siguiente:

- No quite las cubiertas. Si quita las cubiertas del producto láser, podría quedar expuesto a radiación láser peligrosa. Dentro del dispositivo no existe ninguna pieza que requiera servicio técnico.
- Si usa controles o ajustes o realiza procedimientos que no sean los especificados aquí, podría exponerse a radiaciones peligrosas.



#### PELIGRO

Algunos productos láser tienen incorporado un diodo láser de clase 3A o clase 3B. Tenga en cuenta lo siguiente:

Cuando se abre, queda expuesto a radiación láser. No mire directamente al rayo láser, ni siquiera con instrumentos ópticos, y evite exponerse directamente al rayo láser.



≥18 kg



≥32 kg



≥55 kg

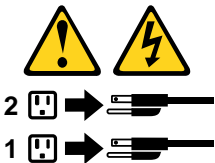
**PRECAUCIÓN:**

Adopte procedimientos seguros al levantar el equipo.



**PRECAUCIÓN:**

El botón de control de alimentación del dispositivo y el interruptor de alimentación de la fuente de alimentación no desconectan la corriente eléctrica suministrada al dispositivo. Además, el dispositivo podría tener más de un cable de alimentación. Para suprimir toda la corriente eléctrica del dispositivo, asegúrese de que todos los cables de alimentación estén desconectados de la toma de corriente.





## Chapter 2. Product overview

This chapter provides basic information to help you get familiar with your computer.

### Hardware locations

This section provides information about the locations of your computer hardware.

#### Front view

**Note:** The computer hardware might look slightly different from the illustration.

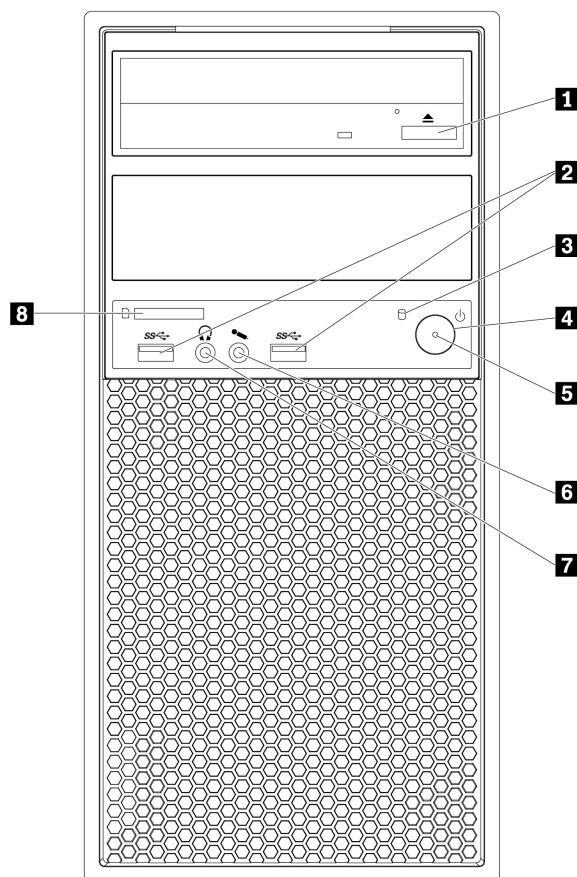


Figure 1. Front connectors, controls, and indicators

|  |                                 |
|--|---------------------------------|
| <b>1</b> Optical-drive eject/close button (available on some models) | <b>2</b> USB 3.0 connectors (2) |
| <b>3</b> Storage drive activity indicator                            | <b>4</b> Power button           |
| <b>5</b> Power indicator   | <b>6</b> Microphone connector   |
| <b>7</b> Headphone connector   | <b>8</b> SD card slot           |

### **1 Optical-drive eject/close button**

Press the button to eject or close the tray of the optical drive.

### **2 USB 3.0 connectors (2)**

Use this connector to attach a USB-compatible device, such as a USB keyboard, mouse, storage drive, or printer.

### **3 Storage drive activity indicator**

This indicator shows the status of the internal storage drives (such as hard disk drives or solid-state drives).

**On:** The storage drives are active and data is being transferred.

**Off** (when the computer is powered on): The storage drives are not in use or no data is being transferred.

### **4 Power button**

Press the power button to turn on your computer. If your computer is unresponsive, you can turn off the computer by pressing and holding the power button for four or more seconds.

### **5 Power indicator**

When the power indicator is on, the computer is turned on.

### **6 Microphone connector**

Connect the microphone to your computer through the microphone connector.

### **7 Headphone connector**

Connect the headphone to your computer through the headphone connector.

### **8 SD card slot**

Insert a secure digital (SD) card into the slot to access the data on the card.

## **Rear view**

Some connectors on the rear of your computer are color-coded to help you determine where to connect the cables on your computer.

**Note:** The computer hardware might look slightly different from the illustration.

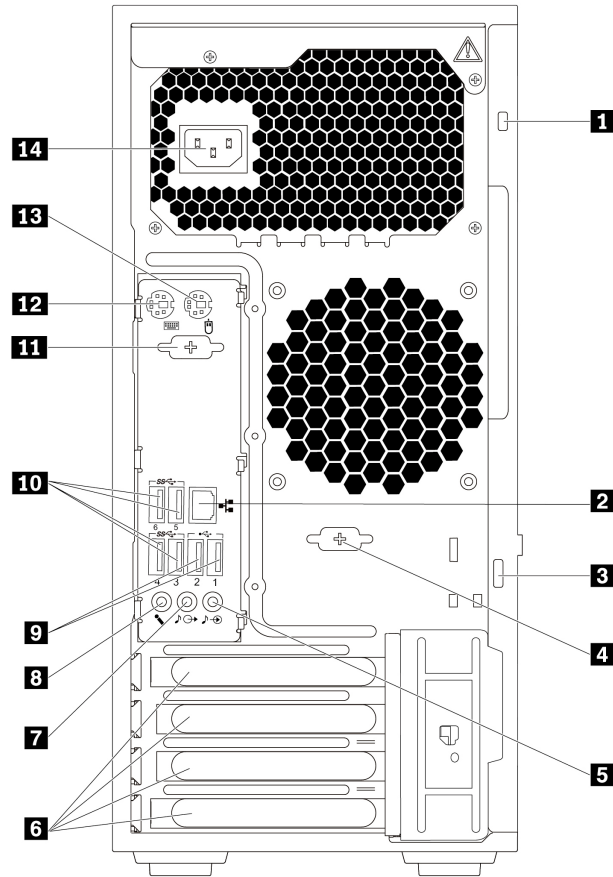


Figure 2. Rear view

|   |  |
|---|--|
| <b>1</b> Security-lock slot                           | <b>2</b> Ethernet connector                          |
| <b>3</b> Padlock loop                                 | <b>4</b> Serial connector (available on some models) |
| <b>5</b> Audio line-in connector                      | <b>6</b> PCIe card area*                             |
| <b>7</b> Audio line-out connector                     | <b>8</b> Microphone connector                        |
| <b>9</b> USB 2.0 connectors (2)                       | <b>10</b> USB 3.0 connectors (4)                     |
| <b>11</b> Serial connector (available on some models) | <b>12</b> PS/2 keyboard connector                    |
| <b>13</b> PS/2 mouse connector                        | <b>14</b> Power-cord connector                       |

**Notes:**

- \* A discrete graphics card or a network adapter can be installed in the appropriate Peripheral Component Interconnect Express (PCIe) card slot. If such a card is installed, use the connectors on the card instead of the corresponding connectors on the computer to optimize the performance.
- Depending on your computer model, the preinstalled cards might vary. One or more graphics cards might be installed to provide the following connectors:
  - DisplayPort® connector
  - Digital Visual Interface (DVI) connector
  - Mini DisplayPort® connector

### **DisplayPort connector**

Use this connector to attach a high-performance monitor, a direct-drive monitor, or other compatible devices.

### **DVI monitor connector**

Use this connector to attach a DVI monitor or other compatible devices.

### **Mini DisplayPort connector**

Use this connector to attach a high-performance monitor, a direct-drive monitor, or other compatible devices. The Mini DisplayPort connector is a miniaturized version of a DisplayPort connector.

## **1 Security-lock slot**

Attach a Kensington-style cable lock to the security-lock slot to secure your computer. For more information, see “Attaching a Kensington-style cable lock” on page 59.

## **2 Ethernet connector**

Connect an Ethernet cable for a local area network (LAN).

**Note:** To operate the computer within Federal Communications Commission (FCC) Class B limits, use a Category 5 Ethernet cable.

## **3 Padlock loop**

Attach a padlock to secure your computer. For more information, see “Locking the computer cover” on page 59.

## **4 11 Serial connector (available on some models)**

Connect an external modem, a serial printer, or other devices that use a 9-pin serial connector to the serial connector.

## **5 Audio line-in connector**

The audio line-in connector is used to receive audio signals from an external audio device, such as a stereo system. When you attach an external audio device, a cable connection is established between the audio line-out connector of the device and the audio line-in connector of the computer.

## **6 PCIe card area**

To further improve the computer performance, you can install PCIe cards into this area. Depending on your computer model, the preinstalled cards might vary.

## **7 Audio line-out connector**

The audio line-out connector is used to send audio signals from the computer to external devices, such as headphones.

## **8 Microphone connector**

Use this connector to attach a microphone to your computer when you want to record sound or if you use speech-recognition software.



#### **9 USB 2.0 connector(2)**

Use this connector to attach a USB-compatible device, such as a USB keyboard, mouse, storage drive, or printer.

#### **10 USB 3.0 connector(4)**

Use this connector to attach a USB-compatible device, such as a USB keyboard, mouse, storage drive, or printer.

#### **12 PS/2 keyboard connector**

Use this connector to attach a Personal System/2 (PS/2) keyboard.

#### **13 PS/2 mouse connector**

Use this connector to attach a PS/2 mouse, a trackball, or other pointing devices.

#### **14 Power-cord connector**

Connect the power cord to your computer for power supply.

## **Computer components**

### **Notes:**

- Depending on the model, your computer might look slightly different from the illustration.
- To remove the computer cover, see “Preparing your computer and removing the computer cover” on page 95.

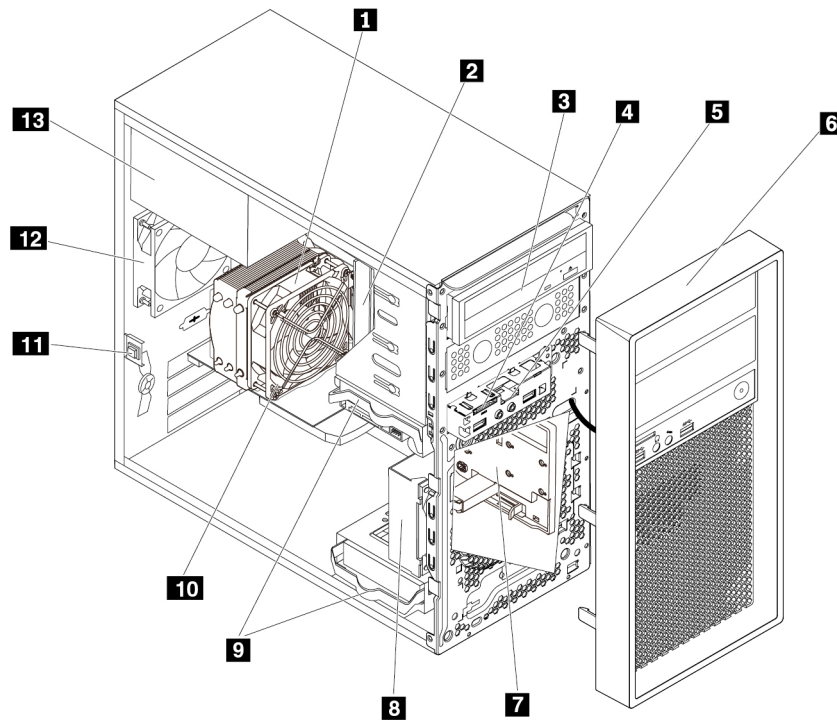


Figure 3. Component locations

|   |  |
|---|--|
| <b>1</b> Heat-sink-and-fan assembly   | <b>2</b> Memory module                             |
| <b>3</b> Optical drive (available on some models)   | <b>4</b> Card reader                               |
| <b>5</b> Front audio and USB assembly   | <b>6</b> Front bezel                               |
| <b>7</b> M.2 solid-state drive assembly (available on some models)                        | <b>8</b> Front fan assembly                        |
| <b>9</b> Storage drives   | <b>10</b> Graphics card (available on some models) |
| <b>11</b> Cover presence switch (also called intrusion switch) (available on some models) | <b>12</b> Rear fan assembly                        |
| <b>13</b> Power supply assembly   |  |

## Major FRUs and CRUs

This section introduces the location of FRUs and Customer Replaceable Units (CRUs) in the computer, and identifies which FRUs are also self-service CRUs or optional-service CRUs.

### Notes:

- Self-service CRUs: Refer to parts that can be installed or replaced easily by customer themselves or by trained service technicians at an additional cost.
- Optional-service CRUs: Refer to parts that can be installed or replaced by customers with a greater skill level. Trained service technicians can also provide service to install or replace the parts under the type of warranty designated for the customer’s machine.
- FRUs: Refer to parts that must be installed or replaced only by trained service technicians. If customers choose to replace the FRUs by themselves, the product warranty might be affected.

This chapter includes the following topics:

1. "Major FRUs and CRUs" on page 35
2. "Accessories" on page 37
3. "FRUs in the flex module" on page 38
4. "FRUs in the multi-drive conversion kit" on page 39

### Major FRUs and CRUs

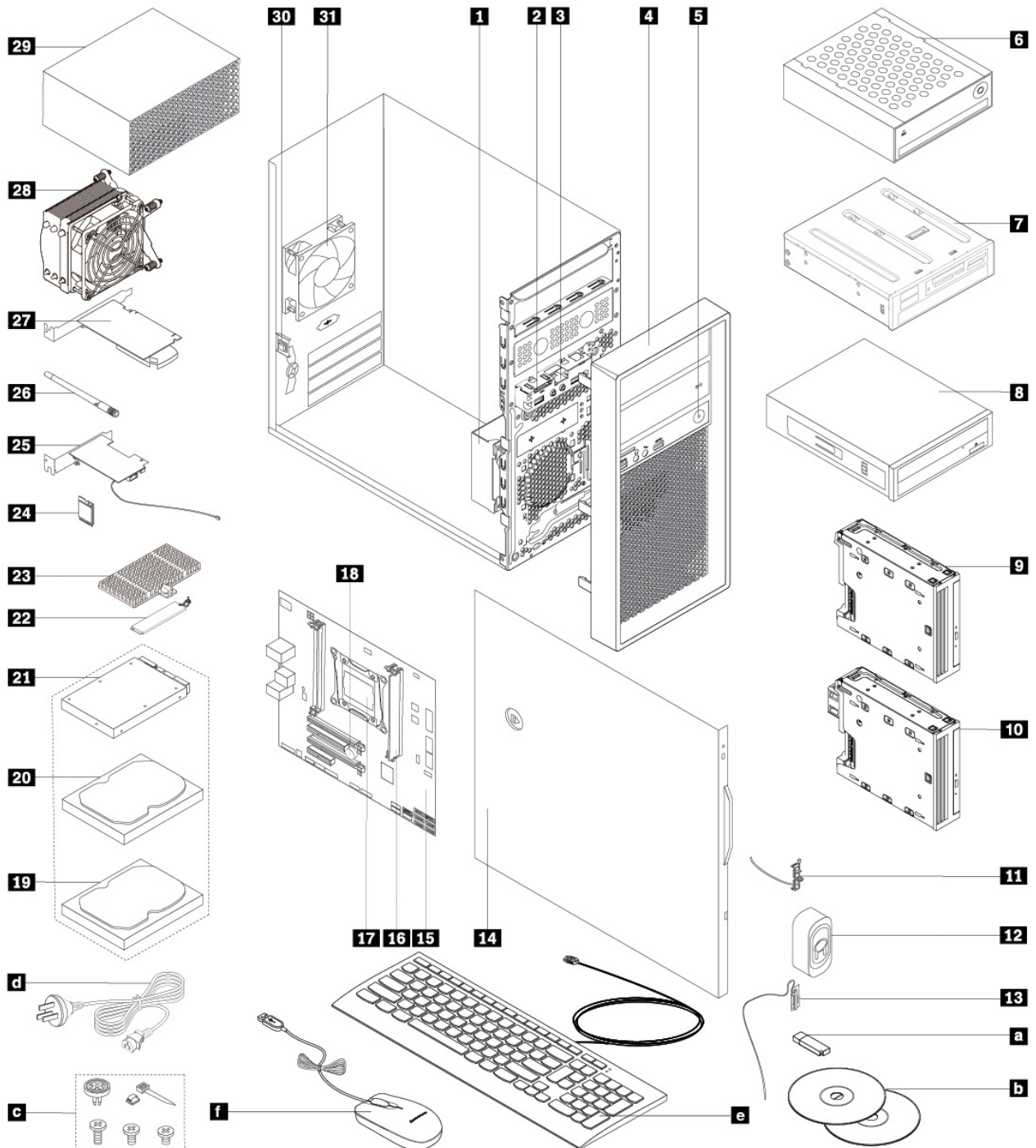


Figure 4. Major FRUs and CRUs

| Number    | Description   | Self-service CRU | Optional-service CRU |
|-----------|---|------------------|----------------------|
| <b>1</b>  | Front fan assembly (available on some models)   | No               | Yes                  |
| <b>2</b>  | Card reader   | No               | No                   |
| <b>3</b>  | Front audio and USB assembly  | No               | No                   |
| <b>4</b>  | Front bezel   | Yes              | No                   |
| <b>5</b>  | Power button  | Yes              | No                   |
| <b>6</b>  | Front-access storage enclosure (available on some models)   | No               | Yes                  |
| <b>7</b>  | 5.25-inch flex module (available on some models), see “FRUs in the flex module” on page 38.                     | Yes              | No                   |
| <b>8</b>  | Optical drive (available on some models)  | Yes              | No                   |
| <b>9</b>  | Slim-optical drive adapter (available on some models)   | Yes              | No                   |
| <b>10</b> | Multi-drive conversion kit (available on some models), see “FRUs in the multi-drive conversion kit” on page 39. | Yes              | No                   |
| <b>11</b> | Thermal sensor (available on some models)   | No               | No                   |
| <b>12</b> | Internal speaker  | No               | No                   |
| <b>13</b> | Front Wi-Fi antenna (available on some models)  | No               | No                   |
| <b>14</b> | Computer cover  | Yes              | No                   |
| <b>15</b> | System board  | No               | No                   |
| <b>16</b> | Memory module   | Yes              | No                   |
| <b>17</b> | Microprocessor  | No               | No                   |
| <b>18</b> | Coin-cell battery   | No               | Yes                  |
| <b>19</b> | Hybrid drive (available on some models)   | Yes              | No                   |
| <b>20</b> | Hard disk drive (available on some models)  | Yes              | No                   |
| <b>21</b> | Solid-state drive (available on some models)  | Yes              | No                   |
| <b>22</b> | M.2 solid-state drive (available on some models)  | No               | No                   |
| <b>23</b> | M.2 solid-state drive heat sink (available on some models)  | No               | No                   |
| <b>24</b> | Wi-Fi card module (available on some models)  | No               | No                   |
| <b>25</b> | Wi-Fi adapter card (available on some models)   | No               | No                   |
| <b>26</b> | Rear Wi-Fi antenna (available on some models)   | No               | No                   |
| <b>27</b> | PCIe card (available on some models)  | Yes              | No                   |
| <b>28</b> | Heat-sink-and-fan assembly  | No               | Yes                  |
| <b>29</b> | Power supply assembly   | No               | Yes                  |
| <b>30</b> | Cover presence switch (also called intrusion switch) (available on some models)                                 | No               | No                   |

| Number    | Description                     | Self-service CRU | Optional-service CRU |
|-----------|---------------------------------|------------------|----------------------|
| <b>3f</b> | Rear fan assembly               | No               | Yes                  |
| <b>a</b>  | Lenovo factory recovery USB key | No               | No                   |
| <b>b</b>  | Lenovo recovery disc set        | No               | No                   |
| <b>c</b>  | Miscellaneous parts kits        | No               | No                   |
| <b>d</b>  | Power cord                      | Yes              | No                   |
| <b>e</b>  | Keyboard                        | Yes              | No                   |
| <b>f</b>  | Mouse                           | Yes              | No                   |

### Accessories

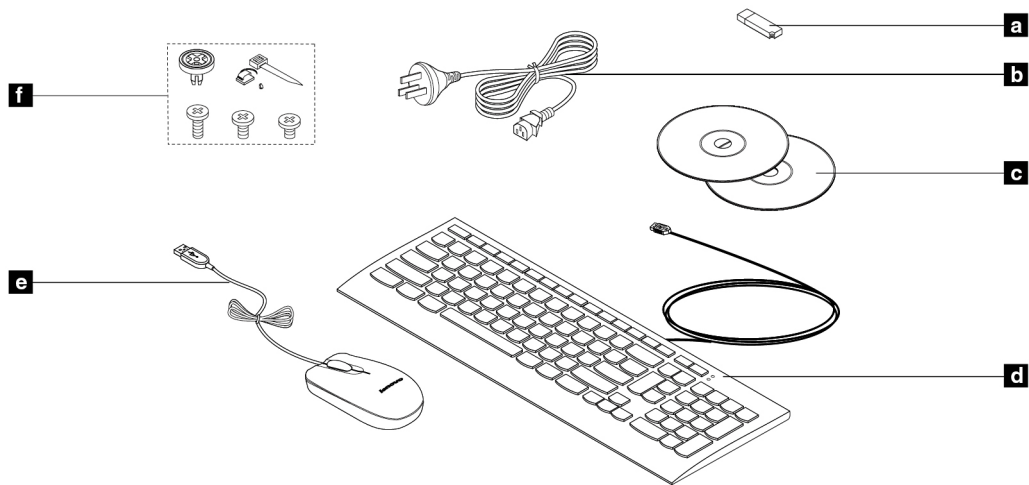


Figure 5. Accessories

| Number   | FRU description                 | Self-service CRU | Optional-service CRU |
|----------|---------------------------------|------------------|----------------------|
| <b>a</b> | Lenovo factory recovery USB key | No               | No                   |
| <b>b</b> | Power cord                      | Yes              | No                   |
| <b>c</b> | Lenovo recovery disc set        | No               | No                   |
| <b>d</b> | Keyboard                        | Yes              | No                   |
| <b>e</b> | Mouse                           | Yes              | No                   |
| <b>f</b> | Miscellaneous parts kits        | No               | No                   |

## FRUs in the flex module

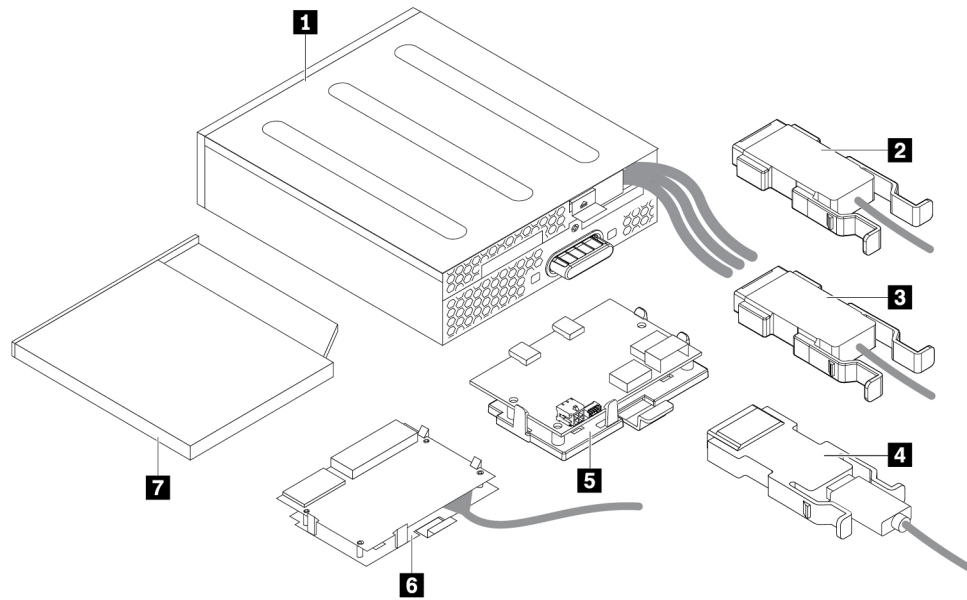


Figure 6. FRUs in the flex module

| Number   | FRU description               | Self-service CRU | Optional-service CRU |
|----------|-------------------------------|------------------|----------------------|
| <b>1</b> | Flex module                   | Yes              | No                   |
| <b>2</b> | eSATA connector               | No               | No                   |
| <b>3</b> | IEEE 1394 connector           | No               | No                   |
| <b>4</b> | USB-C connector               | No               | No                   |
| <b>5</b> | Front Thunderbolt adapter kit | No               | No                   |
| <b>6</b> | 15-in-1 card reader           | No               | No                   |
| <b>7</b> | Slim optical drive            | No               | No                   |

## FRUs in the multi-drive conversion kit

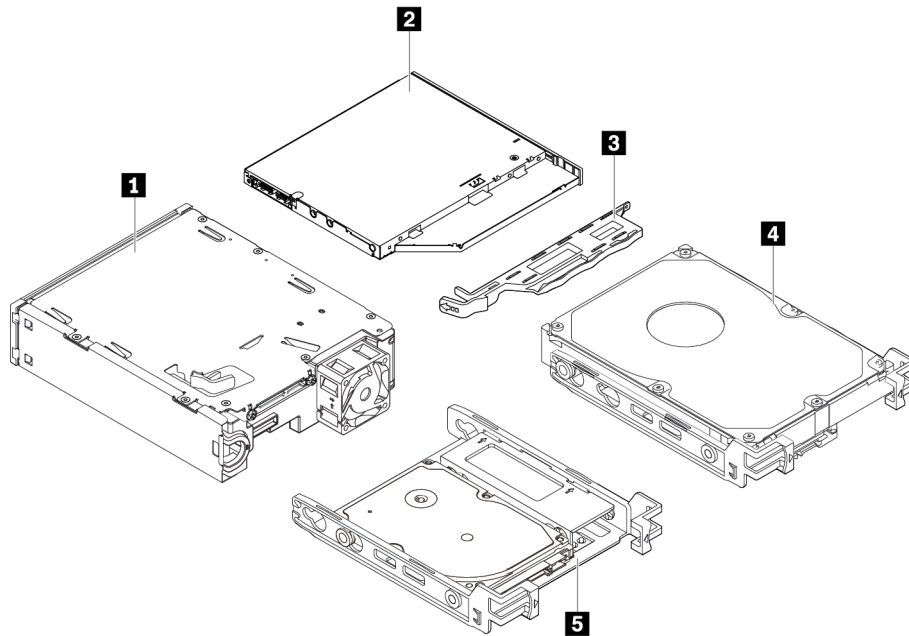


Figure 7. FRUs in the multi-drive conversion kit

| Number   | FRU description                                    | Self-service CRU | Optional-service CRU |
|----------|--|------------------|----------------------|
| <b>1</b> | Multi-drive conversion kit                         | Yes              | No                   |
| <b>2</b> | Slim optical drive                                 | No               | No                   |
| <b>3</b> | Slim optical drive bracket                         | No               | No                   |
| <b>4</b> | 3.5-inch storage drive                             | No               | No                   |
| <b>5</b> | 2.5-inch storage drive with the conversion bracket | No               | No                   |

For detailed FRU and CRU information, such as the FRU part numbers and supported computer models, go to:

<http://www.lenovo.com/serviceparts-lookup>

## Parts on the system board

The following illustration shows the locations of the parts on the system board.

**Note:** The system board might look slightly different from the illustration.

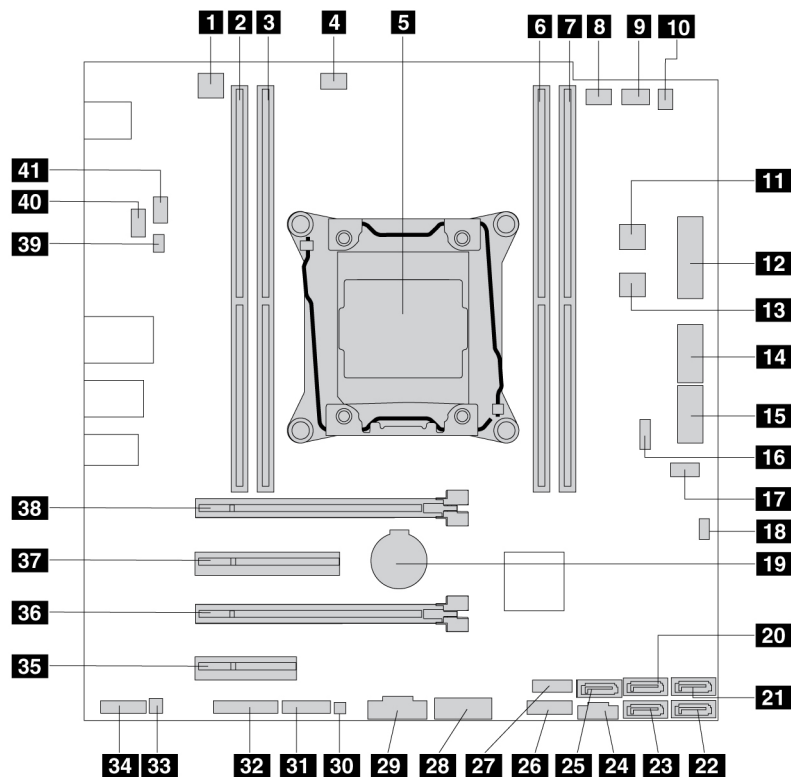


Figure 8. System board part locations

|  |  |
|--|--|
| <b>1</b> 4-pin power connector   | <b>2</b> Memory slot   |
| <b>3</b> Memory slot   | <b>4</b> Microprocessor fan connector  |
| <b>5</b> Microprocessor  | <b>6</b> Memory slot   |
| <b>7</b> Memory slot   | <b>8</b> Flex bay 1 fan connector  |
| <b>9</b> Flex bay 2 fan connector  | <b>10</b> Thermal sensor connector   |
| <b>11</b> 4-pin SATA power connector   | <b>12</b> 14-pin power connector   |
| <b>13</b> 4-pin SATA power connector   | <b>14</b> M.2 solid-state drive slot 1   |
| <b>15</b> M.2 solid-state drive slot 2   | <b>16</b> VROC connector   |
| <b>17</b> Front-fan connector  | <b>18</b> Clear CMOS /Recovery jumper  |
| <b>19</b> Coin-cell battery  | <b>20</b> SATA 4 connector   |
| <b>21</b> SATA 2 connector   | <b>22</b> SATA 1 connector   |
| <b>23</b> SATA 3 connector   | <b>24</b> Thunderbolt™ control connector   |
| <b>25</b> SATA 7 connector (eSATA connector)   | <b>26</b> Front-bezel connector (for connecting LED indicators and the power button) |
| <b>27</b> USB 2.0 connector (for connecting the Wi-Fi connector or 9-in-1 card reader connector) | <b>28</b> Front USB 3.0 connector (for connecting USB connectors on the front panel) |
| <b>29</b> Internal USB 3.0 connector   | <b>30</b> Storage-drive activity indicator connector                                 |
| <b>31</b> Four-digit-diagnostics display connector   | <b>32</b> Trusted Cryptography Module (TCM) connector                                |
| <b>33</b> Internal-speaker connector   | <b>34</b> Front-audio connector  |



|  |   |
|--|---|
| <b>35</b> PCIe x4 card slot  | <b>36</b> PCIe x16 card slot  |
| <b>37</b> PCIe x8 card slot  | <b>38</b> PCIe x16 card slot (graphics card available on some models) |
| <b>39</b> Cover presence switch connector (intrusion switch connector) | <b>40</b> Rear-fan connector  |
| <b>41</b> SATA Serial (COM) connector                                  |   |

## Internal storage drives

Internal storage drives are devices that your computer uses to read and store data. You can add drives to your computer to increase storage capacity and enable your computer to read other types of media. Internal storage drives are installed in bays.

When you install or replace an internal storage drive, note the type and size of the drive that each bay supports and correctly connect the required cables. Refer to the appropriate section in “Removing and installing hardware” on page 96 for instructions on how to install or replace internal storage drives for your computer.

The following illustration shows the locations of the storage drive bays.

**Note:** The computer hardware might look slightly different from the illustration.

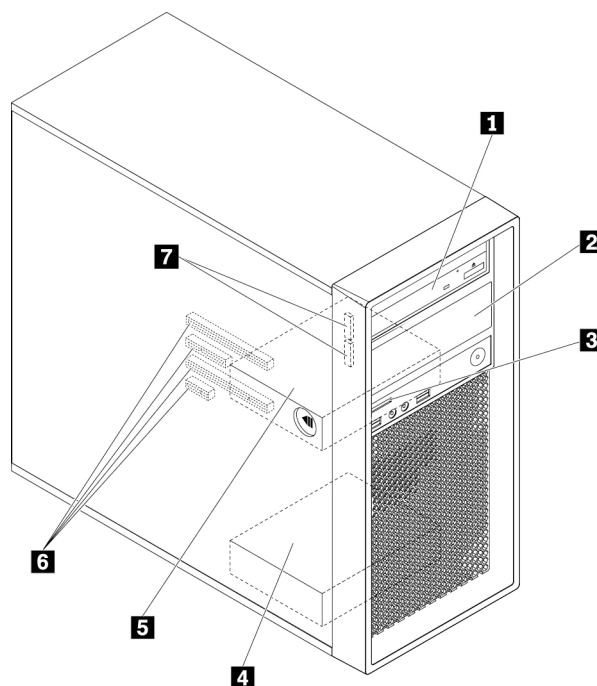


Figure 9. Storage drive bay locations

|  |  |
|--|--|
| <b>1</b> Primary flex bay                | <b>2</b> Secondary flex bay (available on some models) |
| <b>3</b> SD card slot                    | <b>4</b> Secondary storage drive bay                   |
| <b>5</b> Primary storage drive bay       | <b>6</b> PCIe card slots (4)                           |
| <b>7</b> M.2 solid-state drive slots (2) |  |

## **1 2 Flex bays (2)**

Depending on your computer model, the following devices might be installed in the flex bays:

- Flex module

Depending on your computer model, the following parts might be preinstalled in the flex module:

- 15-in-1 card reader
- External Serial Advanced Technology Attachment (eSATA) connector
- Four-digit diagnostics display
- Institute of Electrical and Electronics Engineers (IEEE) 1394 connector
- Slim optical drive
- Front Thunderbolt adapter kit
- USB-C connector

- Front-access storage enclosure

- Multi-drive conversion kit

Depending on your computer model, the following parts might be preinstalled in the multi-drive conversion kit:

- Storage drive (such as hard disk drive, solid-state drive, or hybrid drive)
- Slim optical drive

- Optical drive

- Slim-optical-drive adapter

## **3 SD card slot**

An SD card is installed in some models.

## **4 5 Storage drive bays (2)**

You can install hard disk drives, solid-state drives, or hybrid drives in the storage drive bays.

## **6 PCIe card slots (4)**

You can install compatible PCIe cards and PCIe solid-state drives in the PCIe card slots.

## **7 M.2 solid-state drive slots (2)**

One or two M.2 solid state drives are installed in some models.

## **Machine type and model label**

The machine type and model label identifies your computer. When you contact Lenovo for help, the machine type and model information helps support technicians to identify your computer and provide faster service.

The following is a sample of the machine type and model label.

**Note:** The computer hardware might look slightly different from the illustration.

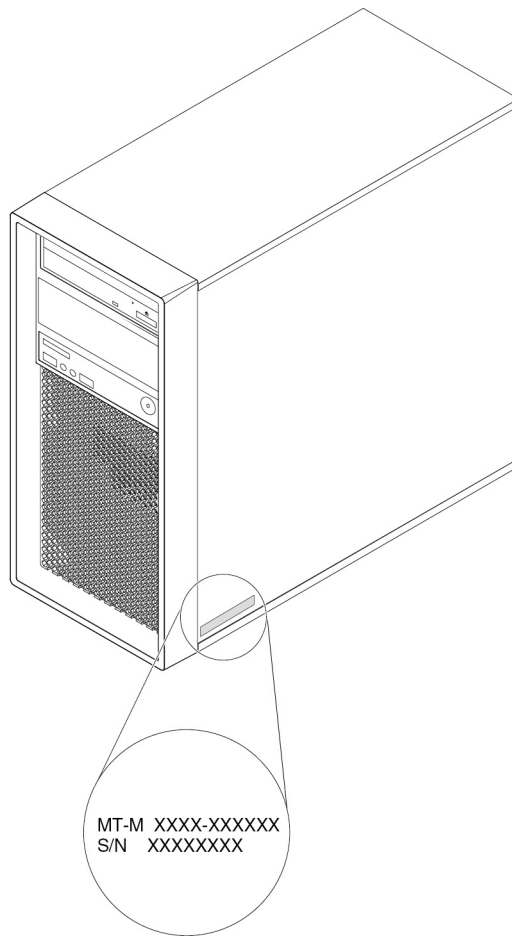


Figure 10. Machine type and model label

---

## Computer features

For your specific computer model, some features might vary or not apply.

### Information about your computer

- To view basic information (such as microprocessor and memory information) about your computer, do the following:
  1. Type **About** in the Windows search box and then press Enter.
- To view detailed information about the devices (such as the optical drive and network adapters) on your computer, do the following:
  1. Type **Device Manager** in the Windows search box and then press Enter.
  2. Type the administrator password or provide confirmation, if prompted.

### Memory

Your computer supports up to four double data rate 4 (DDR4) error correction code (ECC) registered dual inline memory modules (RDIMMs).

### Storage drives

Your computer supports the following storage drives:

- Hard disk drive
- Hybrid drive (available on some models)
- M.2 solid-state drive (available on some models)
- Optical drive (available on some models)
- SD card (available on some models)
- Solid-state drive (available on some models)

To view the amount of storage drive space, do the following:

1. Type **Disk Management** in the Windows search box and press Enter.

### **Video features**

- PCIe x16 card slots on the system board for a discrete graphics card
- Video connectors on a discrete graphics card:
  - DVI connector (available on some models)
  - DisplayPort connector (available on some models)
  - Mini DisplayPort connector (available on some models)

### **Audio features**

Integrated audio controller supports the following connectors and devices on your computer:

- Audio line-in connector
- Audio line-out connector
- Internal speaker
- Microphone connector

### **Input/Output (I/O) features**

- 100/1000 Mbps Ethernet connector
- 9-pin serial connector
- Audio connectors (audio line-in connector, audio line-out connector, and microphone connector)
- Display connectors (DisplayPort connector, DVI connector, and Mini DisplayPort connector) (vary by graphics card)
- eSATA connector
- Institute of Electrical and Electronics Engineer (IEEE) 1394 connector (available on some models)
- PS/2 keyboard connector
- PS/2 mouse connector
- SATA connectors
- USB connectors
- USB-C connector (available on some models)

### **Expansion**

- Flex bay
- M.2 solid-state drive slots
- Memory slots
- PCIe x4 card slot

- PCIe x8 card slot
- PCIe x16 card slots
- SD card slot
- Storage drive bays

### **Power supply**

Your computer comes with one of the following power supplies:

- 500-watt automatic 92% voltage-sensing power supply
- 625-watt automatic voltage-sensing power supply

### **Wireless features**

Depending on your computer model, the following wireless features are supported:

- Wireless LAN
- Bluetooth

### **System management features**

- Ability to store power-on self-test (POST) hardware test results
- Desktop Management Interface (DMI)

Desktop Management Interface provides a common path for users to access information about all aspects of a computer. The information includes the processor type, installation date, attached printers and other peripherals, power sources, and maintenance history.

- ErP LPS compliance mode

The energy-related products directive (ErP) lowest power state (LPS) compliance mode reduces the consumption of electricity when your computer is in sleep or off mode. For more information, see “Enabling or disabling the ErP LPS compliance mode” on page 64.

- Intel® Standard Manageability (ISM)

Intel Standard Manageability builds certain functionalities into computer hardware and firmware. Therefore, computers are less expensive for businesses and easier to monitor, maintain, update, upgrade, and repair.

- Intel Active Management Technology (Intel AMT)

With specific Intel platform capabilities and third-party management and security applications, Intel Active Management Technology enables IT administrators or managed service providers to easily and remotely discover, repair, and protect their networked computing assets.

- Intel Rapid Storage Technology enterprise (Intel RSTe)

The Intel RSTe configuration utility enables you to configure Redundant Array of Independent Disks (RAID) for computers with specific Intel chipset system boards. It supports RAID levels 0, 1, 5, and 10 on computers installed with Serial Advanced Technology Attachment (SATA) devices.

- Preboot Execution Environment (PXE)

Preboot Execution Environment enables you to start computers using a network interface. This manner is independent of starting computers from data storage devices (such as the hard disk drive) or installed operating systems.

- System Management (SM) basic input/output system (BIOS) and SM software

The SM BIOS specification defines data structures and access methods in a BIOS. Therefore, a user or an application can store and retrieve information specific about the computer in question.

- Wake on LAN (WOL)

Wake on LAN is an Ethernet computer networking standard that allows a computer to be turned on or woken up by a network message. The message is usually sent by a program running on another computer on the same local area network.

- Windows Management Instrumentation (WMI)

Windows Management Instrumentation is a set of extensions to the Windows Driver Model. It provides an operating system interface through which instrumented components provide information and notification.

### **Security features**

- Ability to enable and disable a device
- Ability to enable and disable USB connectors individually
- Antivirus program
- BIOS passwords and Windows accounts to deter unauthorized use of your computer
- Computrace Agent software embedded in firmware
- Cover presence switch (also called intrusion switch)
- Finger authentication (available on some models)
- Firewalls
- Intel BIOS guard
- Startup sequence control
- Startup without a keyboard or mouse
- Support for a computer cover lock
- Support for a Kensington-style cable lock
- Support for a padlock
- Trusted Platform Module (TPM)

### **Preinstalled operating system**

Your computer is preinstalled with the Windows operating system. Additional operating systems might be identified by Lenovo as compatible with your computer. To determine if an operating system has been certified or tested for compatibility, check the Web site of the operating system provider.

---

## **Computer specifications**

This section lists the physical specifications for your computer.

### **Dimensions**

- Width: 175 mm (6.89 inches)
- Height: 375.5 mm (14.78 inches)
- Depth: 426 mm (16.77 inches)

### **Weight**

Maximum configuration as shipped: 14.5 kg (31.97 lb)

### **Environment**

- Air temperature:  
Operating: From 10°C (50°F) to 35°C (95°F)

Storage in original shipping package: From -40°C (-40°F) to 60°C (140°F)

Storage without package: From -10°C (14°F) to 60°C (140°F)

- Humidity:
  - Operating: 10%–80% (non-condensing)
  - Storage: 10%–90% (non-condensing)
- Altitude:
  - Operating: From -15.2 m (-50 ft) to 3048 m (10 000 ft)
  - Storage: From -15.2 m (-50 ft) to 10 668 m (35 000 ft)

### Electrical input

- Input voltage: From 100 V ac to 240 V ac
- Input frequency: 50/60 Hz

---

## Programs

This section provides information about the programs on your computer.

### Accessing a program on your computer

To access a program on your computer, do one of the following:

- From Windows Search:
  1. Type the program name into the search box next to the Start button.
  2. In the search results, click the name of the desired program to launch the program.
- From the Start menu:

Click the Start button to open the Start menu. Then, click the name of the desired program to launch the program.
- From Control Panel:

If the program name is not displayed on the Start menu, access the program from Control Panel.

  1. Type **Control Panel** in the Windows search box and then press Enter.
  2. View Control Panel by Large icons or Small icons, and then click the name of the desired program to launch the program.

### An introduction to Lenovo programs

This section provides information about the major Lenovo programs available on your operating system.

**Note:** Depending on your computer model, some of the following programs might not be available.

- **The Vantage app**

The preinstalled Vantage app is a customized one-stop solution to help you maintain your computer with automated updates and fixes, configure hardware settings, and get personalized support.

To access the Vantage app, type *Vantage* in the search box.

The Vantage app enables you to:

- Know the device status easily and customize device settings.
- Download and install UEFI BIOS, firmware and driver updates to keep your computer up-to-date.
- Monitor your computer health, and secure your computer against outside threats.
- Scan your computer hardware and diagnose hardware problems.
- Look up warranty status (online).
- Access *User Guide* and helpful articles.

**Notes:**

- The available features vary depending on the computer model.
- The Vantage app makes periodic updates of the features to keep improving your experience with your computer. The description of features might be different from that on your actual user interface.



---

## Chapter 3. Using your computer

This chapter provides information to help you use the various features provided by your computer.

---

### Registering your computer

When you register your computer with Lenovo, you enter required information into a Lenovo database. The information enables Lenovo to contact you when there is a recall or other severe problem and provide quicker service when you call Lenovo for help. In addition, some locations offer extended privileges and services to registered users.

To register your computer with Lenovo, go to <https://support.lenovo.com/productregistration> and follow the instructions on the screen.

---

### Setting the computer volume

To set the computer volume, do the following:

1. Click the volume icon in the Windows notification area on the taskbar.

**Note:** If the volume icon is not displayed in the Windows notification area, add the icon to the notification area. See the Windows help system.

2. Follow the instructions on the screen and the hover text to adjust the volume, mute the speaker, or unmute the speaker.

---

### Using a disc

This section provides instructions on how to use a disc and the optical drive.

#### Guidelines about using the optical drive

When using the optical drive, follow these guidelines:

- Do not place the computer in a location where the drive is exposed to any of the following conditions:
  - High temperature
  - High humidity
  - Excessive dust
  - Excessive vibration or sudden shock
  - An inclined surface
  - Direct sunlight
- Do not insert any object other than a disc into the drive.
- Do not insert damaged discs into the drive. Warped, scratched, or dirty discs can damage the drive.
- Before moving the computer, remove the disc from the drive.

#### Handling and storing a disc

When handling and storing a disc, follow these guidelines:

- Hold the disc by its edges. Do not touch the surface of the side that is not labeled.

- To remove dust or fingerprints, wipe the disc with a clean, soft cloth from the center to the outside. Wiping the disc in a circular direction might cause loss of data.
- Do not write or stick paper on the disc.
- Do not scratch or mark the disc.
- Do not place or store the disc in direct sunlight.
- Do not use benzene, thinners, or other cleaners to clean the disc.
- Do not drop or bend the disc.

## Playing and removing a disc

To play a disc, do the following:

1. With the computer on, press the eject/close button on the front of the optical drive. The tray slides out of the drive.
2. Insert a disc into the tray. Some optical drive has a snap hub in the center of the tray. If your drive has a snap hub, support the tray with one hand and then push the center of the disc until it snaps into place.
3. Press the eject/close button again or gently push the tray forward to close the tray. The disc player program starts automatically. For more information, refer to the help system of the disc player program.

To remove a disc from the optical drive, do the following:

1. With the computer on, press the eject/close button on the front of the optical drive. The tray slides out of the drive.
2. Carefully remove the disc from the tray.
3. Press the eject/close button again or gently push the tray forward to close the tray.

**Note:** If the tray does not slide out of the drive when you press the eject/close button, turn off your computer. Then, insert a straightened paper clip into the emergency-eject hole adjacent to the eject/close button. Use the emergency eject only in an emergency.

## Recording a disc

If your optical drive supports recording, you can record a disc.

### Recording a disc using Windows tools

To record a disc using Windows tools, do one of the following:

- Burn a disc using the AutoPlay window.
  1. Ensure that the disc is played automatically.
    - a. Type **AutoPlay** in the Windows search box and then press Enter.
    - b. Turn on **Use AutoPlay for all media and devices**.
  2. Insert a recordable disc into the optical drive that supports recording. The AutoPlay window opens.
  3. Follow the instructions on the screen.
- Burn a disc using Windows Media® Player.
  1. Insert a recordable disc into the optical drive that supports recording.
  2. Open Windows Media Player. See “Accessing a program on your computer” on page 47.
  3. Follow the instructions on the screen.
- Burn a disc from an ISO file.
  1. Insert a recordable disc into the optical drive that supports recording.

2. Double-click the ISO file.
3. Follow the instructions on the screen.

### Recording a disc using preinstalled programs

To record a disc using preinstalled programs, do the following:

1. Insert a recordable disc into the optical drive that supports recording.
2. Open the PowerDVD Create, PowerProducer, or Power2Go program. See “Accessing a program on your computer” on page 47.
3. Follow the instructions on the screen.

---

## Connecting to a network

This section provides instructions on how to connect to a network.

### Connecting to an Ethernet LAN

You can connect your computer to an Ethernet LAN by connecting an Ethernet cable to the Ethernet connector.



**To avoid the risk of electrical shock, do not connect the telephone cable to the Ethernet connector.**

### Connecting to a wireless LAN

You can connect your computer to a wireless LAN without the use of an Ethernet cable but by means of radio waves only.

**Note:** The wireless LAN feature is available only on some models.

To establish a wireless-LAN connection, do the following:

1. Ensure that a wireless LAN is available and the wireless LAN feature on your computer is working.
2. Click the wireless-network-connection-status icon in the Windows notification area to display available wireless networks.

**Note:** If the wireless-network-connection-status icon is not displayed in the Windows notification area, add the icon to the notification area. See the Windows help system.

3. Click a wireless LAN, and then click **Connect** to connect your computer to it. Provide required information if needed.

### Connecting to a Bluetooth-enabled device

Bluetooth is a short-range wireless communications technology. Use Bluetooth to establish a wireless connection between your computer and another Bluetooth-enabled device within a distance of about 10 m (32.8 ft).

**Note:** The Bluetooth feature is available only on some models.

To connect to a Bluetooth-enabled device, do the following:

1. Turn on the Bluetooth feature of your computer. Ensure that the Bluetooth-enabled device is located within a distance of about 10 m (32.8 ft) from your computer.

2. Click the Bluetooth icon in the Windows notification area on the taskbar. Then, click **Add a Device** and follow the instructions on the screen.

**Note:** If the Bluetooth icon is not displayed in the Windows notification area, add the icon to the notification area. See the Windows help system.

---

## Chapter 4. You and your computer

This chapter provides information about accessibility, ergonomic, and cleaning and maintenance.

---

### Arranging your workspace

Arrange your workspace to suit your needs and the kind of work you do. This section provides information about the factors that affect the way you arrange your workspace.

### Glare and lighting

Position the monitor to minimize glare and reflections from overhead lights, windows, and other light sources. Reflected light from shiny surfaces can cause annoying reflections on your screen. When possible, place the monitor at right angles to windows and other light sources. If necessary, reduce overhead lighting by turning off lights or using lower wattage bulbs. If you install the monitor near a window, use curtains or blinds to block the sunlight. You can adjust the brightness and contrast controls on the monitor as the room lighting changes throughout the day.

Where it is impossible to avoid reflections or to adjust the lighting, an antiglare filter placed over the screen might be helpful. However, these filters might affect the clarity of the image on the screen; try them only after you have exhausted other methods of reducing glare.

### Air circulation

Your computer produces heat. The computer has a fan that pulls in fresh air and forces out hot air through the air vents. Blocking the air vents can cause overheating, which might result in a malfunction or damage. Position the computer so that nothing blocks the air vents; usually, 51 mm (2 inches) of air space is sufficient. Ensure that the vented air is not blowing on people.

### Electrical outlet locations and cable lengths

The following factors might determine the final placement of your computer:

- Locations of electrical outlets
- Length of power cords or power adapters
- Length of the cables that are connected to other devices

For more information about power cords or power adapters, see “Power cords and power adapters” on page 1.

### Comfort

Although no single working position is ideal for everyone, here are a few guidelines to help you find a position that suits you best. The following figure sets an example for your reference.



- Screen position: Keep the screen at a comfortable viewing distance, usually 51–61 cm (20–24 inches). Then, adjust the screen so that the top of the screen is at or slightly below eye level and you can view it without twisting your body.
- Chair position: Use a chair that gives you good back support and seat height adjustment. Use chair adjustments to best suit your desired posture.
- Head position: Keep your head and neck in a comfortable and neutral (vertical or upright) position.
- Arm and hand positions: Keep your forearms, wrists, and hands in a relaxed and neutral (horizontal) position. Type with a soft touch without pounding the keys.
- Leg position: Keep your thighs parallel to the floor and your feet flat on the floor or on a footrest.

Make minor modifications in your working posture to deter the onset of discomfort caused by long periods of working in the same position. Frequent short breaks from your work also help to prevent minor discomfort associated with your working posture.

---

## Accessibility information

Lenovo is committed to providing users who have hearing, vision, and mobility limitations with greater access to information and technology. This section provides information about the ways these users can get the most out of their computer experience. You also can get the most up-to-date accessibility information from the following Web site:

<https://www.lenovo.com/accessibility>

### Keyboard shortcuts

The following list contains keyboard shortcuts that can help make your computer easier to use.

**Note:** Depending on your keyboard, some of the following keyboard shortcuts might not be available.

- **Windows logo key + U:** Open Ease of Access Center
- **Right Shift for eight seconds:** Turn on or turn off Filter Keys
- **Shift five times:** Turn on or turn off Sticky Keys
- **Num Lock for five seconds:** Turn on or turn off Toggle Keys
- **Left Alt+Left Shift+Num Lock:** Turn on or turn off Mouse Keys
- **Left Alt+Left Shift+PrtScn (or PrtSc):** Turn on or turn off High Contrast

For more information, go to <https://windows.microsoft.com/>, and then search using any of the following keywords: keyboard shortcuts, key combinations, shortcut keys.

### Ease of Access Center

Ease of Access Center on the Windows operating system enables you to configure your computer to suit your physical and cognitive needs.

To use Ease of Access Center, do the following:

1. Type **Ease of Access** in the Windows search box and then press Enter.
2. Choose the appropriate tool by following the instructions on the screen.

Ease of Access Center mainly includes the following tools:

- **Magnifier**  
Magnifier is a useful utility that enlarges the entire screen or part of the screen so that you can see the items better.
- **Narrator**  
Narrator is a screen reader that reads aloud what is displayed on the screen and describes events such as error messages.
- **On-Screen Keyboard**  
To input data into your computer using a mouse, joystick, or other pointing devices instead of a physical keyboard, you can use On-Screen Keyboard.
- **High Contrast**  
High Contrast is a feature that heightens the color contrast of some text and images on your screen. As a result, those items are more distinct and easier to identify.
- **Personalized keyboard**  
Adjust keyboard settings to make your keyboard easier to use. For example, you can use your keyboard to control the pointer and type certain key combinations easier.
- **Personalized mouse**  
Adjust mouse settings to make your mouse easier to use. For example, you can change the pointer appearance and make it easier to manage windows with the mouse.

## **Speech Recognition**

Speech Recognition enables you to control your computer by voice.

Using only your voice, you can start programs, open menus, click objects on the screen, dictate text into documents, and write and send e-mails. Everything you do with the keyboard and mouse can be done with only your voice.

To use Speech Recognition, do the following:

1. Type **Control Panel** in the Windows search box and then press Enter. View by large icons or small icons.
2. Click **Speech Recognition** and follow the instructions on the screen.

## **Screen-reader technologies**

Screen-reader technologies are primarily focused on software program interfaces, help information systems, and various online documents. For additional information about screen readers, see the following:

- Using PDFs with screen readers:  
<https://www.adobe.com/accessibility.html?promoid=DJGVE>
- Using the JAWS screen reader:  
<https://www.freedomscientific.com/Products/Blindness/JAWS>
- Using the NVDA screen reader:  
<https://www.nvaccess.org/>

## Screen resolution

You can make the text and images on your screen easier to read by adjusting the screen resolution of your computer.

To adjust the screen resolution, do the following:

1. Right-click a blank area on the desktop.
2. Click **Display settings → Display**.
3. Follow the instructions on the screen.

**Note:** Setting the resolution too low might prevent some items from fitting on the screen.

## Customizable item size

You can make the items on your screen easier to read by changing the item size.

- To change the item size temporarily, use the Magnifier tool in Ease of Access Center.
- To change the item size permanently, do the following:
  - Change the size of all the items on your screen. Do the following:
    1. Right-click a blank area on the desktop.
    2. Click **Display settings → Display**.
    3. Follow the on-screen instructions to change the item size. For some applications, your configuration might not take effect until you sign out and then sign in again.
  - Change the size of the items on a Web page.

Press and hold Ctrl, and then press the plus-sign key (+) to enlarge or the minus-sign key (-) to reduce the text size.
  - Change the size of the items on the desktop or a window.

**Note:** This function might not work on some windows.

If your mouse has a wheel, press and hold Ctrl, and then scroll the wheel to change the item size.

## Industry-standard connectors

Your computer provides industry-standard connectors that enable you to connect assistive devices.

For more information about the location and function of each connector, see “Hardware locations” on page 29.

## TTY/TDD conversion modem

Your computer supports the use of a text telephone (TTY) or the telecommunications device for the deaf (TDD) conversion modem. The modem must be connected between your computer and a TTY/TDD telephone. Then, you can type a message on your computer and send it to the telephone.

## Documentation in accessible formats

Lenovo provides electronic documentation in accessible formats, such as properly tagged PDF files or HyperText Markup Language (HTML) files. Lenovo electronic documentation is developed to ensure that visually impaired users can read the documentation through a screen reader. Each image in the documentation also includes adequate alternative text so that visually impaired users can understand the image when they use a screen reader.



---

## Cleaning your computer

**Attention:** Do not open your computer or attempt any repair before reading and understanding the Chapter 1 “Read this first: Important safety information” on page 1. Properly remove or install your computer cover. See Chapter 9 “Hardware removal and installation” on page 95.

**CAUTION:**

**Remove any media from the drives and turn off all connected devices and the computer. Then, disconnect all power cords from electrical outlets and disconnect all cables that are connected to the computer.**

It is a good practice to clean your computer periodically to protect the surfaces and ensure trouble-free operation. Use only mild cleaning solutions and a damp cloth to clean the painted surfaces of the computer.

Dust buildup compounds problems associated with glare, so remember to clean the screen periodically. Wipe the screen surface gently with a soft, dry cloth, or blow on the screen to remove grit and other loose particles. Depending on the type of the screen, moisten a soft, lint-free cloth with an LCD cleaner or liquid glass cleaner and then wipe the screen surface.

---

## Maintenance

With appropriate care and maintenance, your computer will serve you reliably. This section provides instructions on how to maintain your computer so that it can keep working in better condition.

### Basic maintenance tips

Here are some basic points about keeping your computer functioning properly:

- Keep your computer in a clean, dry environment. Ensure that the computer rests on a flat, steady surface.
- Do not cover any of air vents. These air vents provide airflow to keep your computer from overheating.
- Keep food and drinks away from all parts of your computer. Food particles and spills might make the keyboard and mouse stick and unusable.
- Do not get the power switches or other controls wet. Moisture can damage these parts and cause an electrical hazard.
- Always disconnect a power cord by grasping the plug instead of the cord.

### Good maintenance practices

By performing a few good maintenance practices, you can maintain good computer performance, protect your data, and be prepared in case of a computer failure.

- Empty your recycle bin on a regular basis.
- Use the disk defragmentation or disk optimization feature of your operating system occasionally to prevent performance problems caused by an excessive number of fragmented files.
- Clean out your Inbox, Sent Items, and Deleted Items folders in your e-mail application on a regular basis.
- Back up critical data regularly on removable media memory, such as discs and USB storage devices, and store the removable media in a safe location. The frequency of making backup copies depends on how critical the data is to you or your business.
- Back up your data on the storage drive regularly. See “Recovery information” on page 84.
- Keep your computer software, device drivers, and operating system up-to-date. See “Keeping your computer current” on page 58.

- Keep a log book. Entries might include major software or hardware changes, device-driver updates, intermittent problems and what you did to resolve them, and other issues you might have experienced. The cause of a problem might be change in hardware, change in software, or any other actions that might have taken place. A log book can help you or a Lenovo technician determine the cause of a problem.
- Create Product Recovery discs. See “Recovery information” on page 84 for more information about using Product Recovery discs to restore the hard disk drive to the factory-default settings.

## Keeping your computer current

In most cases, it is a good practice to have the most up-to-date operating system update patches, software programs, and device drivers. This section provides instructions on how to get the latest updates for your computer.

### Getting the latest system updates

To get the latest system updates for your computer, ensure that your computer is connected to the Internet and do one of the following:

- Open the Vantage app to check the available update packages. If the latest update package is available, follow the on-screen instructions to download and install the package.  
To open the Vantage app, see “Accessing a program on your computer” on page 47.
- Use Windows Update to get the system updates, such as security fixes, new versions of Windows components, and device driver updates.
  1. Type **Settings** in the Windows search box and then press Enter.
  2. Navigate to the update section for your system and do the following instructions.

**Note:** The device drivers provided by Windows Update might not be tested by Lenovo. It is recommended that you get device drivers by using Lenovo programs or from the Lenovo Web site at <https://support.lenovo.com>.

---

## Moving your computer

Before moving your computer, take the following precautions:

1. Back up your data on the storage drive. See “Good maintenance practices” on page 57.
2. Remove any media from the drives and turn off all connected devices and the computer. Then, disconnect all power cords from electrical outlets and disconnect all cables that are connected to the computer.
3. If you saved the original shipping cartons and packing materials, use them to pack the units. If you are using different cartons, cushion the units to avoid damage.

### Moving your computer to another country or region

When you move your computer to another country or region, you must take local electrical standards into consideration. If the local electrical outlet style is different from the type you are using, use either an electrical plug adapter or a new power cord. To purchase such items, contact the Lenovo Customer Support Center. For a list of Lenovo Support phone numbers, go to <https://pcsupport.lenovo.com/supportphonenumber>. If you cannot find the support telephone number for your country or region, contact your Lenovo reseller.

---

## Chapter 5. Security

This chapter provides information about how to protect your computer from unauthorized use.

---

### Locking your computer

This section provides instructions on how to lock your computer with the locking devices to keep your computer safe.

#### Locking the computer cover

Locking the computer cover helps prevent unauthorized people from gaining access to the inside of your computer. Your computer comes with a padlock loop so that the computer cover cannot be removed when a padlock is installed.

**Note:** The computer hardware might look slightly different from the illustration.

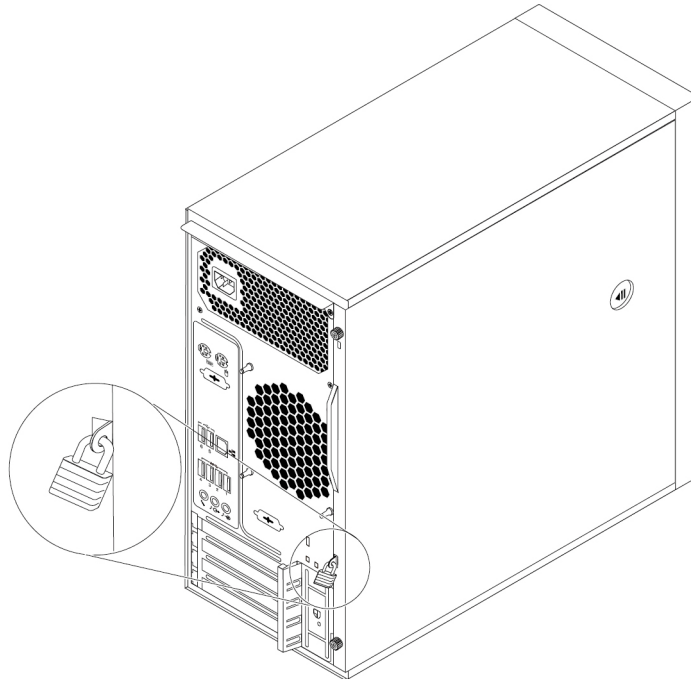


Figure 11. Installing a padlock

#### Attaching a Kensington-style cable lock

You can use a Kensington-style cable lock to secure your computer to a desk, table, or other non-permanent fixture. The cable lock attaches to the security-lock slot at the rear of your computer. Depending on the type selected, the cable lock can be operated with a key or combination. The cable lock also locks the buttons used to open the computer cover. This is the same type of lock used with many notebook computers. You can order such a cable lock directly from Lenovo by searching for *Kensington* at:

<http://www.lenovo.com/support>

**Note:** The computer hardware might look slightly different from the illustration.

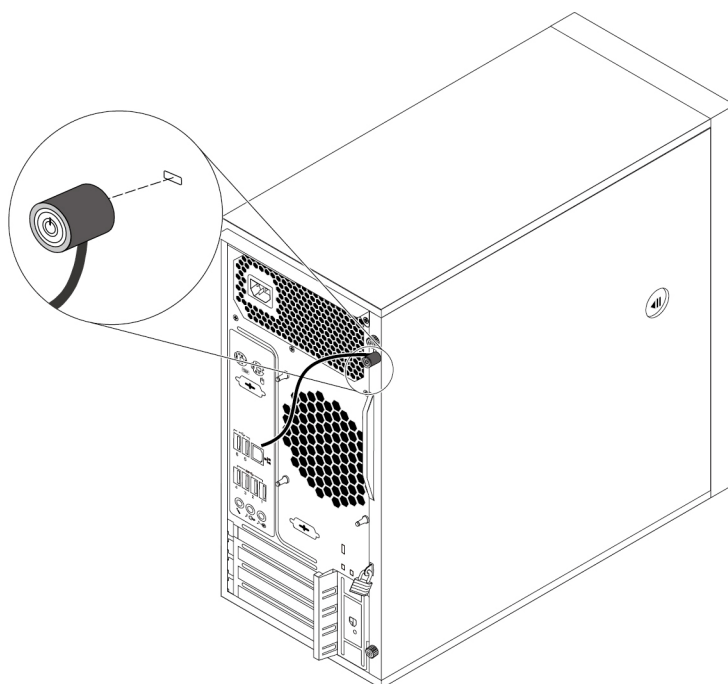


Figure 12. Kensington-style cable lock

---

## Viewing and changing security settings in the Setup Utility program

To view and change security settings in the Setup Utility program, do the following:

1. Start the Setup Utility program. See “Starting the Setup Utility program” on page 63.
2. Select **Security**.
3. Follow the instructions on the right side of the screen to view and change security settings. You can refer to “Using the Setup Utility program” on page 63 to get basic information about some major security settings.
4. To save settings and exit the Setup Utility program, press F10 or Fn+F10 (depending on the keyboard settings). Then, select **Yes** in the window displayed, and press Enter.

---

## Using passwords and Windows accounts

You can use BIOS passwords and Windows accounts to prevent unauthorized access to your computer and data. To use the BIOS passwords or the Windows accounts, do the following:

- To use BIOS passwords, see “Using BIOS passwords” on page 65.
- To use Windows accounts, do the following:
  1. Type **Settings** in the Windows search box and then press Enter.
  2. Click **Accounts** and follow the instructions on the screen.

---

## Using fingerprint authentication

If your keyboard has a fingerprint reader, you can use fingerprint authentication to replace passwords for simple and secure user access. To use fingerprint authentication, first enroll your fingerprints and associate them with your passwords (such as the power-on password, hard disk password, and Windows password). Use the fingerprint reader and the fingerprint program to complete this procedure.

To use fingerprint authentication, use the fingerprint tool provided by the Windows operating system. Type **Settings** in the Windows search box and then press Enter. Click **Accounts** → **Sign-in options**. Follow the instructions on the screen.

To use the fingerprint reader, refer to the documentation shipped with the fingerprint keyboard or located on the Lenovo Support Web site at <https://pcsupport.lenovo.com/solutions/pd014444>.

---

## Using the cover presence switch

The cover presence switch prevents your computer from logging in to the operating system when the computer cover is not properly installed or closed.

To use the cover presence switch, enable the cover-presence-switch connector on the system board first. To achieve this, do the following:

1. Start the Setup Utility program. See “Starting the Setup Utility program” on page 63.
2. Select **Security** → **Chassis Intrusion Detection** and press Enter.
3. Select **Enabled** and press Enter.
4. To save settings and exit the Setup Utility program, press F10 or Fn+F10 (depending on the keyboard settings), select **Yes** in the window displayed, and press Enter. The cover-presence-switch connector on the system board is enabled.

The cover presence switch starts functioning. If the switch detects that the computer cover is not correctly installed or closed, an error message is displayed when you turn on the computer. To fix the error and log in to the operating system, do the following:

1. Properly remove or install your computer cover. See Chapter 9 “Hardware removal and installation” on page 95.
2. Start and then exit the Setup Utility program. See “Starting the Setup Utility program” on page 63 and “Exiting the Setup Utility program” on page 68.

---

## Using firewalls

A firewall can be hardware, software, or a combination of both depending on the level of security required. Firewalls work on a set of rules to determine which inbound and outbound connections are authorized. If your computer is preinstalled with a firewall program, it helps protect against computer Internet security threats, unauthorized access, intrusions, and Internet attacks. It also protects your privacy. For more information about how to use the firewall program, refer to the help system of your firewall program.

To use Windows Firewall, do the following:

1. Type **Control Panel** in the Windows search box and then press Enter. View by large icons or small icons.
2. Click **Windows Defender Firewall** and follow the on-screen instructions.

---

## Protecting data against viruses

Your computer is preinstalled with an antivirus program to help you guard against, detect, and eliminate viruses.

Lenovo provides a full version of antivirus software on your computer with a free 30-day subscription. After 30 days, you must renew the license to continue receiving the antivirus software updates.

**Note:** Virus definition files must be kept up-to-date to guard against new viruses.

For more information about how to use your antivirus software, refer to the help system of your antivirus software.

---

## Using the Smart USB Protection function

The Smart USB Protection function is a security function that helps prevent data from being copied from the computer to USB storage devices connected to the computer. You can set the Smart USB Protection function to one of the following modes:

- **Disabled** (default setting): You can use the USB storage devices without limitation.
- **Read Only**: You cannot copy data from the computer to the USB storage devices. However, you can access or modify data on the USB storage devices.
- **No Access**: You cannot access the USB storage devices from the computer.

To configure the Smart USB Protection function, do the following:

1. Start the Setup Utility program. See “Starting the Setup Utility program” on page 63.
2. Select **Security** → **Smart USB Protection** and press Enter.
3. Select the desired setting and press Enter.
4. To save settings and exit the Setup Utility program, press F10 or Fn+F10 (depending on the keyboard settings). Then, select **Yes** in the window displayed, and press Enter.

---

## Computrace Agent software embedded in firmware

The Computrace Agent software is an IT asset management and computer theft recovery solution. The software detects if changes have been made on the computer, such as hardware, software, or the computer call-in location. You might have to purchase a subscription to activate the Computrace Agent software.

---

## Trusted Platform Module (TPM)

TPM is a secure cryptoprocessor that stores cryptographic keys, which in turn protects information stored in your computer.

---

## Intel BIOS guard

The BIOS guard module cryptographically verifies all the BIOS updates to the system BIOS flash. Therefore, the malware is blocked from attacking the BIOS.

---

## Chapter 6. Advanced configuration

This chapter provides information to help you further configure the computer.

---

### Using the Setup Utility program

The Setup Utility program is used to view and change the configuration settings of your computer. This section provides information about only the major configuration settings available in the program.

**Note:** The operating system settings might override any similar settings in the Setup Utility program.

### Starting the Setup Utility program

To start the Setup Utility program, do the following:

1. Turn on or restart your computer.
2. Before the operating system starts up, repeatedly press and release F1 or Fn+F1 (depending on the keyboard settings). Based on the Setup Utility display mode setting, one of the following situations occurs:
  - Text mode: The Setup Utility program opens.
  - Graphic mode (available on some models): The start screen is displayed. Then, select **Setup** and press Enter to open the Setup Utility program.

**Note:** If a BIOS password has been set, the Setup Utility program will not open until you enter the correct password. For more information, see “Using BIOS passwords” on page 65.

To view and change the configuration settings, follow the instructions on the screen.

### Changing the display mode of the Setup Utility program

You can use the Setup Utility program in the graphic mode or the text mode according to your needs.

- Text mode: The keys on the keyboard used to perform various tasks are displayed at the bottom of the screen.

**Note:** The Serial Port Console Redirection item is available only in the text mode.

- Graphic mode (available on some models): In addition to the keyboard, you also can use the mouse to make selections.

To change the display mode of the Setup Utility program, do the following:

1. Start the Setup Utility program. See “Starting the Setup Utility program” on page 63.
2. From the main interface, select **Setup mode select** and press Enter.
3. Select **Graphic** or **Text** and press Enter.
4. To save settings and exit the Setup Utility program, press F10 or Fn+F10 (depending on the keyboard settings), select **Yes** in the window displayed, and press Enter.

### Changing the display language of the Setup Utility program

The Setup Utility program supports three display languages: English, French, and simplified Chinese.

To change the display language of the Setup Utility program, do the following:

1. Start the Setup Utility program. See “Starting the Setup Utility program” on page 63.
2. From the main interface, locate **System Language** and press Enter.
3. Select the display language according to your needs.

## Enabling or disabling a device

This section provides information about how to enable or disable user access to hardware devices (such as USB connectors or storage drives).

To enable or disable a device, do the following:

1. Start the Setup Utility program. See “Starting the Setup Utility program” on page 63.
2. Select **Devices**.
3. Select the device you want to enable or disable and press Enter.
4. Select the desired setting and press Enter.
5. To save settings and exit the Setup Utility program, press F10 or Fn+F10 (depending on the keyboard settings). Then, select **Yes** in the window displayed, and press Enter.

## Enabling or disabling the automatic power-on of your computer

The Automatic Power On item in the Setup Utility program provides various options for you to make your computer start up automatically.

To enable or disable the Automatic Power On features, do the following:

1. Start the Setup Utility program. See “Starting the Setup Utility program” on page 63.
2. Select **Power → Automatic Power On** and press Enter.
3. Select the feature you want to enable or disable and press Enter.
4. Select the desired setting and press Enter.
5. To save settings and exit the Setup Utility program, press F10 or Fn+F10 (depending on the keyboard settings). Then, select **Yes** in the window displayed, and press Enter.

## Enabling or disabling the ErP LPS compliance mode

Lenovo computers meet the eco-design requirements of the ErP Lot 3 regulation. For more information, go to:

<https://www.lenovo.com/ecodeclaration>

You can enable the ErP LPS compliance mode in the Setup Utility program to reduce the consumption of electricity when your computer is off or in sleep mode.

To enable or disable the ErP LPS compliance mode, do the following:

1. Start the Setup Utility program. See “Starting the Setup Utility program” on page 63.
2. Select **Power → Enhanced Power Saving Mode** and press Enter.
3. Select **Enabled** or **Disabled** depending on your needs, and then press Enter. If you select **Enabled**, you also need to disable the Wake on LAN feature. See “Enabling or disabling the automatic power-on of your computer” on page 64.
4. To save settings and exit the Setup Utility program, press F10 or Fn+F10 (depending on the keyboard settings). Then, select **Yes** in the window displayed, and press Enter.

When the ErP LPS compliance mode is enabled, you can wake up your computer by doing one of the following:



- Press the power button.
- Enable the Wake Up on Alarm feature to make your computer wake up at a set time. See “Enabling or disabling the automatic power-on of your computer” on page 64.
- Enable the After Power Loss feature to make your computer wake up when the power supply resumes after a sudden loss of electricity.

To enable the After Power Loss feature, do the following:

1. Start the Setup Utility program. See “Starting the Setup Utility program” on page 63.
2. Select **Power** → **After Power Loss** and press Enter.
3. Select **Power On** and press Enter.
4. To save settings and exit the Setup Utility program, press F10 or Fn+F10 (depending on the keyboard settings). Then, select **Yes** in the window displayed, and press Enter.

## Enabling or disabling the configuration change detection

With the configuration-change detection enabled, if the POST detects configuration changes of some hardware devices (such as storage drives or memory modules), an error message is displayed.

To enable or disable the configuration change detection, do the following:

1. Start the Setup Utility program. See “Starting the Setup Utility program” on page 63.
2. Select **Security** → **Configuration Change Detection** and press Enter.
3. Select the desired setting and press Enter.
4. To save settings and exit the Setup Utility program, press F10 or Fn+F10 (depending on the keyboard settings). Then, select **Yes** in the window displayed, and press Enter.

To bypass the error message and log in to the operating system, do one of the following:

- Press F2 or Fn+F2 (depending on the keyboard settings).
- Start and then exit the Setup Utility program. See “Starting the Setup Utility program” on page 63 and “Exiting the Setup Utility program” on page 68.

## Changing the BIOS settings before installing a new operating system

BIOS settings vary by operating system. Change the BIOS settings before installing a new operating system.

To change the BIOS settings, do the following:

1. Start the Setup Utility program. See “Starting the Setup Utility program” on page 63.
2. From the main interface, select **Exit** → **OS Optimized Defaults** and press Enter.
3. Depending on the operating system to be installed, do one of the following:
  - To install the Windows operating system, select **Enabled** and press Enter.
  - To install an operating system other than Windows operating system, select **Disabled** and press Enter.
4. Select **Yes** in the window displayed and press Enter to confirm your selection.
5. To save settings and exit the Setup Utility program, press F10 or Fn+F10 (depending on the keyboard settings). Then, select **Yes** in the window displayed, and press Enter.

## Using BIOS passwords

By using the Setup Utility program, you can set passwords to prevent unauthorized access to your computer and data.

You do not have to set any passwords to use your computer. However, using passwords improves computer security. If you decide to set any passwords, read the following topics.

## Password types

The following types of passwords are available in the Setup Utility program:

- Power-on password

When a power-on password is set, you are prompted to enter a valid password each time the computer is turned on. The computer cannot be used until the valid password is entered.

- Administrator password

Setting an administrator password deters unauthorized users from changing configuration settings. If you are responsible for maintaining the configuration settings of several computers, you might want to set an administrator password.

When an administrator password is set, you are prompted to enter a valid password each time you try to access the Setup Utility program. The Setup Utility program cannot be accessed until a valid password is entered.

If both the power-on password and administrator password are set, you can enter either password. However, you must use your administrator password to change any configuration settings.

- Hard disk password

Setting a hard disk password prevents unauthorized access to the data on the internal storage drive (such as a hard disk drive). When a hard disk password is set, you are prompted to enter a valid password each time you try to access the storage drive.

### Notes:

- Even if the storage drive is removed from one computer and installed in another, the hard-disk password is still valid.
- If the hard disk password is forgotten, there is no way to reset the password or recover data from the storage drive.

## Password considerations

A password can be any combination of up to 64 alphabetic and numeric characters. For security reasons, it is recommended to use a strong password that cannot be easily compromised.

**Note:** The Setup Utility program passwords are case-sensitive.

To set a strong password, consider the following guidelines:

- Have at least eight characters in length
- Contain at least one alphabetic character and one numeric character
- Not be your name or your user name
- Not be a common word or a common name
- Be significantly different from your previous passwords

## Setting, changing, or deleting a password

To set, change, or delete a password, do the following:

1. Start the Setup Utility program. See “Starting the Setup Utility program” on page 63.
2. Select **Security**.
3. Depending on the password type, select **Set Power-On Password**, **Set Administrator Password**, or **Hard Disk Password** and press Enter.

4. Follow the instructions on the right side of the screen to set, change, or delete a password.

**Note:** A password can be any combination of up to 64 alphabetic and numeric characters. For more information, see “Password considerations” on page 66.

5. To save settings and exit the Setup Utility program, press F10 or Fn+F10 (depending on the keyboard settings). Then, select **Yes** in the window displayed, and press Enter.

## Erasing lost or forgotten passwords (clearing CMOS)

This section provides instructions on how to erase lost or forgotten passwords, such as a user password.

**Note:** The instructions in this section do not apply to the hard disk password.

To erase a lost or forgotten password, do the following:

1. Remove any media from the drives and turn off all connected devices and the computer. Then, disconnect all power cords from electrical outlets and disconnect all cables that are connected to the computer.
2. Remove the computer cover. See Chapter 9 “Hardware removal and installation” on page 95.
3. Locate the Clear Complementary Metal Oxide Semiconductor (CMOS) /Recovery jumper on the system board. See “Hardware locations” on page 29.
4. Move the jumper from the standard position (pin 1 and pin 2) to the maintenance position (pin 2 and pin 3).
5. Reinstall the computer cover and connect the power cord. See Chapter 9 “Hardware removal and installation” on page 95.
6. Turn on the computer and leave it on for approximately 10 seconds. Then, turn off the computer by holding the power button for approximately five seconds.
7. Repeat step 1 and step 2.
8. Move the Clear CMOS /Recovery jumper back to the standard position (pin 1 and pin 2).
9. Reinstall the computer cover and connect the power cord.
10. Turn on the computer and the monitor. When the logo screen is displayed, press F1 or Fn+F1.
11. To prevent data loss, ensure that BIOS settings are restored to an earlier point.

## Selecting a startup device

If your computer does not start up from the expected device, you can either change the startup device sequence or select a temporary startup device.

### Changing the startup device sequence permanently

To change the startup device sequence permanently, do the following:

1. Depending on the type of the storage device, do one of the following:
  - If the storage device is internal, go to step 2.
  - If the storage device is a disc, ensure that your computer is turned on. Then, insert the disc into the optical drive.
  - If the storage device is an external device other than a disc, connect the storage device to the computer.
2. Start the Setup Utility program. See “Starting the Setup Utility program” on page 63.
3. Select **Startup**.
4. Follow the instructions on the right side of the screen to change the startup device sequence.

5. To save settings and exit the Setup Utility program, press F10 or Fn+F10 (depending on the keyboard settings). Then, select **Yes** in the window displayed, and press Enter.

## Selecting a temporary startup device

**Note:** Not all discs and storage drives are bootable.

To select a temporary startup device, do the following:

1. Depending on the type of the storage device, do one of the following:
  - If the storage device is internal, go to step 2.
  - If the storage device is a disc, ensure that your computer is turned on. Then, insert the disc into the optical drive.
  - If the storage device is an external device other than a disc, connect the storage device to the computer.
2. Turn on or restart the computer. Before Windows starts up, repeatedly press and release F12 or Fn+F12 (depending on the keyboard settings) until Startup Device Menu is displayed.
3. Select the desired storage device and press Enter. The computer then starts up from the device you select.

If you want to select a permanent startup device, select **Enter Setup** on Startup Device Menu and press Enter to start the Setup Utility program. For more information about how to select a permanent startup device, see “Changing the startup device sequence permanently” on page 67.

## Changing the fan speed level

The Fan Control Stepping item enables you to adjust the thermal performance of your computer. From level 1 to level 7, a higher fan speed level indicates better thermal performance with more noise.

To change the fan speed level, do the following:

1. Start the Setup Utility program. See “Starting the Setup Utility program” on page 63.
2. Select **Power → Fan Control Stepping** and press Enter.
3. Select a fan speed level and press Enter.
4. To save settings and exit the Setup Utility program, press F10 or Fn+F10 (depending on the keyboard settings), select **Yes** in the window displayed, and press Enter.

## Exiting the Setup Utility program

To exit the Setup Utility program, do one of the following:

- If you want to save the new settings, press F10 or Fn+F10 (depending on the keyboard settings). Then, select **Yes** in the window displayed and press Enter.
- If you do not want to save the new settings, select **Exit → Discard Changes and Exit** and press Enter. Then, select **Yes** in the window displayed and press Enter.

---

## Updating and recovering the BIOS

The BIOS is the first program that the computer runs when you turn on the computer. The BIOS initializes the hardware components and loads the operating system and other programs.

## Updating the BIOS

When you install a new program, hardware device, or device driver, you might be informed to update the BIOS. You can update the BIOS from your operating system or a flash update disc (available only on some models).

To update the BIOS, do the following:

1. Go to <https://support.lenovo.com>.
2. To update the BIOS from your operating system, download the flash BIOS update driver according to your operating system version. To update the BIOS from a flash update disc, download the ISO image version (used to create a flash update disc). Then, download the installation instructions for the flash BIOS update driver.
3. Print the installation instructions you download and follow the instructions to update the BIOS.

**Note:** If you want to update the BIOS from a flash update disc, the installation instructions might not provide the instructions on how to record the update disc. See “Recording a disc” on page 50.

## Recovering from a BIOS update failure

To recover from a BIOS update failure, do the following:

1. Remove any media from the drives and turn off all connected devices and the computer. Then, disconnect all power cords from electrical outlets and disconnect all cables that are connected to the computer.
2. Remove the computer cover. See Chapter 9 “Hardware removal and installation” on page 95.
3. Locate the Clear CMOS /Recovery jumper on the system board. See “Hardware locations” on page 29.
4. Remove any parts and cables that impede your access to the Clear CMOS /Recovery jumper.
5. Move the jumper from the standard position (pin 1 and pin 2) to the maintenance position (pin 2 and pin 3).
6. Reinstall the parts and cables that were removed.
7. Reinstall the computer cover and reconnect any cables that were disconnected. See Chapter 9 “Hardware removal and installation” on page 95.
8. Turn on the computer and insert the BIOS update disc into the optical drive. Wait a few minutes. The recovery process begins. After the recovery process is completed, your computer will shut down automatically.

**Note:** If the computer does not start up from the disc, select the disc as the startup device. See “Selecting a temporary startup device” on page 68.

9. Repeat steps 1–4.
10. Move the Clear CMOS /Recovery jumper back to the standard position (pin 1 and pin 2).
11. Repeat step 6 and step 7.
12. Turn on the computer and the monitor. When the logo screen is displayed, press F1 or Fn+F1.
13. To prevent data loss, ensure that BIOS settings are restored to an earlier point before the BIOS update.

## BIOS level

An incorrect BIOS level can cause false errors and unnecessary FRU replacement. Use the following information to determine the currently installed BIOS level, the latest BIOS level available, and where to obtain the latest BIOS level.

- To determine the currently installed BIOS level, start the Setup Utility program and view the **BIOS Revision Level** on the Main page.

- Sources for obtaining the latest BIOS level available
  - Lenovo support Web site: <http://www.lenovo.com/support>
  - Lenovo Customer Support Center
  - Levels 1 and 2 Support

To update the BIOS, see “Updating and recovering the BIOS” on page 68.

**Note:** BIOS settings vary by operating system. Change the BIOS settings before installing a new operating system. See “Changing the BIOS settings before installing a new operating system” on page 65.

---

## Configuring RAID

This section provides information about storage drive requirements for RAID levels, and instructions on how to configure RAID for your computer. Depending on your computer model and configuration, you can configure RAID using one of the following utilities:

- Intel Rapid Storage Technology enterprise (RSTe) configuration utility
- AVAGO MegaRAID Configuration Utility
- Intel Virtual RAID on CPU configuration utility

## An Introduction to RAID

RAID is a technology that provides increased storage functions and reliability through redundancy.

When a group of independent physical storage drives is set up to use RAID technology, they are in a RAID array. This array distributes data across multiple storage drives, but the array appears to the host computer as one single storage unit. Creating and using RAID arrays provides high performance, such as the expedited I/O performance, because several drives can be accessed simultaneously.

RAID drive groups configured according to certain RAID levels also improve data storage reliability and fault tolerance compared with single-drive storage systems. Data loss resulting from a drive failure can be prevented by reconstructing missing data from the remaining drives.

**Note:** For RAID 0, the missing data resulting from a drive failure cannot be reconstructed.

## Configuring RAID with Intel RSTe

If your computer comes with the Intel RSTe configuration utility, you can follow the sections below to configure RAID with Intel RSTe.

### Storage drive requirements for RAID levels

Your computer supports the following RAID levels:

- RAID 0: striped disk array
  - Consists of at least two SATA storage drives
  - Supported strip size: 4 KB, 8 KB, 16 KB, 32 KB, 64 KB, or 128 KB
  - Better performance without fault tolerance
- RAID 1: mirrored disk array
  - Consists of two SATA storage drives
  - Improved reading performance and 100% redundancy
- RAID 10: striped and mirrored disk array (a combination of RAID 0 and RAID 1)
  - Consists of four SATA storage drives

- Supported strip size: 4 KB, 8 KB, 16 KB, 32 KB, or 64 KB
- RAID 5: block-level striped disk array with distributed parity
  - Consists of at least three SATA storage drives
  - Supported strip size: 16 KB, 32 KB, 64 KB, or 128 KB
  - Better performance and fault tolerance

### Creating a RAID volume

**Attention:** All the existing data stored on the selected drives will be erased while the RAID volume is being created.

To create a RAID volume, do the following:

1. Enable **RAID** by doing the following:
  - a. Start the Setup Utility program. See “Starting the Setup Utility program” on page 63.
  - b. Select **Devices → PCH SATA Configuration** and press Enter.
  - c. Select **Configure SATA as** and press Enter. Then, select **RAID** and press Enter.
  - d. To save settings and exit the Setup Utility program, press F10 or Fn+F10 (depending on the keyboard settings), select **Yes** in the window displayed, and press Enter.
2. Start the Setup Utility program again. See “Starting the Setup Utility program” on page 63.
3. Select **Advanced → Intel RSTe SATA Controller** and press Enter.
4. Select **Create RAID Volume** and press Enter. The Create RAID Volume window is displayed.
5. Select and configure the options one by one.
  - a. **Name:** You can use the default name **Volume0** or type a preferred name for the RAID volume.
  - b. **RAID Level:** You can set the RAID level to one of the following:
    - **RAID0**
    - **RAID1**
    - **RAID10**
    - **RAID5**

**Note:** Some of the RAID levels might not be displayed because the number of installed SATA storage drives varies.
  - c. **Select Disks:** Select a storage drive and press Enter. Then, select **X** and press Enter to add it to a group.
  - d. **Strip Size** (if applicable): Select a strip size and press Enter.
  - e. **Capacity:** Customize the capacity of the RAID volume. The default RAID volume is the largest value.
6. Select **Create Volume** and press Enter to create a RAID volume.
7. To save settings and exit the Setup Utility program, press F10 or Fn+F10 (depending on the keyboard settings), select **Yes** in the window displayed, and press Enter.

### Viewing the information about a RAID volume

To view the information about a RAID volume, do the following:

1. Start the Setup Utility program. See “Starting the Setup Utility program” on page 63.
2. Select **Advanced → Intel RSTe SATA Controller** and press Enter.
3. Select **RAID Volumes** and press Enter.
4. Select a RAID volume and press Enter to view the detailed information.

## Deleting a RAID volume

**Attention:** All the existing data stored on the selected drives will be erased after you delete RAID volumes.

To delete a RAID volume, do the following:

1. Start the Setup Utility program. See “Starting the Setup Utility program” on page 63.
2. Select **Advanced** → **Intel RSTe SATA Controller** and press Enter.
3. Under **RAID Volumes**, select the RAID volume that you want to delete and press Enter. The RAID VOLUME INFO window is displayed.
4. Select **Delete** under **Volume Actions** and press Enter. When prompted, select **Yes** and press Enter to confirm the deletion of the selected RAID volume.
5. To save settings and exit the Setup Utility program, press F10 or Fn+F10 (depending on the keyboard settings), select **Yes** in the window displayed, and press Enter.

## Configuring RAID with AVAGO MegaRAID Configuration Utility

To configure RAID with AVAGO MegaRAID Configuration Utility, ensure that:

- An AVAGO MegaRAID adapter is installed in your computer.
- The storage drives used for RAID configuration are connected to the installed AVAGO MegaRAID adapter instead of the system board.

### Storage drive requirements for RAID levels

Your computer supports the following RAID levels:

- RAID 0: striped disk array
  - Consists of at least two SATA or Serial Attached SCSI (SAS) storage drives
  - Supported strip size: 64 KB, 128 KB, 256 KB, 512 KB, or 1 MB
  - Better performance without fault tolerance
- RAID 1: mirrored disk array
  - Consists of two or four SATA or SAS storage drives
  - Improved read performance and 100% redundancy
- RAID 10: striped and mirrored disk array (a combination of RAID 0 and RAID 1)
  - Consists of four SATA or SAS storage drives
  - Data being striped across storage drive groups
  - Provides both high data transfer rates and complete data redundancy
- RAID 5: block-level striped disk array with distributed parity
  - Consists of at least three SATA or SAS storage drives
  - Supported strip size: 64 KB, 128 KB, 256 KB, 512 KB, or 1 MB
  - Better performance and fault tolerance
  - Available only on some models of AVAGO MegaRAID adapters
- RAID 6: block-level striped disk array with dual distributed parity
  - Consists of at least four SATA or SAS storage drives
  - Supported strip size: 64 KB, 128 KB, 256 KB, 512 KB, or 1 MB
  - Better performance and fault tolerance that can stand up to loss of two storage drives
  - Available only on some models of AVAGO MegaRAID adapters



## Creating a RAID volume

**Attention:** All the existing data stored on the selected drives will be erased while the RAID volume is being created.

To create a RAID volume, do the following:

1. Start the Setup Utility program. See “Starting the Setup Utility program” on page 63.
2. Select **Advanced** → **AVAGO MegaRAID Configuration Utility** and press Enter.
3. Select **Main Menu** and press Enter.
4. Select **Configuration Management** and press Enter.
5. Select **Create Virtual Drive** and press Enter.
6. Select and configure the options one by one.
  - a. **Select RAID Level:** You can set the RAID level to one of the following:
    - **RAID0**
    - **RAID1**
    - **RAID5**
    - **RAID6**
    - **RAID10**
  - b. **Select Drives From:** Select **Unconfigured capacity** or **Free capacity** depending on your needs and press Enter.
  - c. **Select Drives:** Select a storage drive and press Enter. After selecting all storage drives for creating the RAID volume, select **Apply Changes** and press Enter. When promoted, select **Confirm** and press Enter. Then, select **Yes** and press Enter to save the storage drive selection. Finally, select **OK** and press Enter.
  - d. **Virtual Drive Name:** You can type a preferred name for the volume name.
  - e. **Strip Size** (if applicable): Select a strip size and press Enter.
7. Select **Save Configuration** and press Enter. When promoted, select **Confirm** and press Enter. Then, select **Yes** and press Enter to confirm the creation of the RAID volume.
8. To save settings and exit the Setup Utility program, press F10 or Fn+F10 (depending on the keyboard settings), select **Yes** in the window displayed, and press Enter.

## Viewing the information about a RAID volume

To view the information about a RAID volume, do the following:

1. Start the Setup Utility program. See “Starting the Setup Utility program” on page 63.
2. Select **Advanced** → **AVAGO MegaRAID Configuration Utility** and press Enter.
3. Select **Main Menu** and press Enter.
4. Select **Virtual Drive Management** and press Enter.
5. Select a RAID volume and press Enter to view the detailed information.

## Deleting a RAID volume

**Attention:** All the existing data stored on the selected drives will be erased after you delete RAID volumes.

To delete a RAID volume, do the following:

1. Start the Setup Utility program. See “Starting the Setup Utility program” on page 63.
2. Select **Advanced** → **AVAGO MegaRAID Configuration Utility**.
3. Select **Main Menu** and press Enter.
4. Select **Virtual Drive Management** and press Enter.
5. Select the RAID volume that is not needed and press Enter.
6. Under **Operation**, select **Delete Virtual Drive** and press Enter.
7. Select **Go** and press Enter. When prompted, select **Confirm** and press Enter. Then, select **Yes** and press Enter to delete the RAID volume.
8. To save settings and exit the Setup Utility program, press F10 or Fn+F10 (depending on the keyboard settings), select **Yes** in the window displayed, and press Enter.

## Configuring RAID with Intel Virtual RAID on CPU

To configure RAID with the Intel Virtual RAID on CPU configuration utility, ensure that:

- An upgrade key module is connected to the Virtual RAID on CPU (VROC) connector on the system board. See “Hardware locations” on page 29.
- M.2 solid-state drives are installed in your computer.

### Storage drive requirements for RAID levels

Your computer supports the following RAID levels:

- RAID 0: striped disk array
  - Consists of at least two M.2 solid-state drives
  - Supported strip size: 4 KB, 8 KB, 16 KB, 32 KB, 64 KB, or 128 KB
  - Better performance without fault tolerance
- RAID 1: mirrored disk array
  - Consists of two M.2 solid-state drives
  - Improved reading performance and 100% redundancy
- RAID 10: striped and mirrored disk array (a combination of RAID 0 and RAID 1)
  - Consists of four M.2 solid-state drives
  - Supported strip size: 4 KB, 8 KB, 16 KB, 32 KB, or 64 KB
- RAID 5: block-level striped disk array with distributed parity
  - Consists of at least three M.2 solid-state drives
  - Supported strip size: 16 KB, 32 KB, 64 KB, or 128 KB
  - Better performance and fault tolerance
  - Available only on some models of upgrade key modules

### Creating a RAID volume

**Attention:** All the existing data stored on the selected drives will be erased while the RAID volume is being created.

To create a RAID volume, do the following:

1. Enable **VMD** for the selected M.2 solid-state drives by doing the following:
  - a. Start the Setup Utility program. See “Starting the Setup Utility program” on page 63.
  - b. Select **Advanced** → **Intel(R) VMD technology** and press Enter.

- c. Select each menu item and press Enter. Then, select **Enabled** and press Enter.
  - d. Select an occupied M.2 solid-state drive slot as you need and press Enter. Then, select **VMD** and press Enter.
  - e. To save settings and exit the Setup Utility program, press F10 or Fn+F10 (depending on the keyboard settings), select **Yes** in the window displayed, and press Enter.
2. Start the Setup Utility program again. See “Starting the Setup Utility program” on page 63.
  3. Select **Advanced** → **Intel Virtual RAID on CPU** and press Enter.
  4. Select **All Intel VMD Controllers** and press Enter.
  5. Select **Create Volumes** and press Enter.
  6. Select and configure the options one by one.
    - a. **Name:** You can use the default name **Volume0** or type a preferred name for the RAID volume.
    - b. **RAID Level:** You can set the RAID level to one of the following:
      - **RAID0**
      - **RAID1**
      - **RAID10**
      - **RAID5**

**Note:** Some of the RAID levels might not be displayed because the number of installed M.2 solid-state drives and the model of the upgrade key module vary.
    - c. **Select Disks:** Select an M.2 solid-state drive and press Enter. Then, select **X** and press Enter to add it to a group.
    - d. **Stripe Size** (if applicable): Select a stripe size and press Enter.
    - e. **Capacity:** Customize the capacity of the RAID volume. The default RAID volume is the largest value.
  7. Select **Create Volume** and press Enter to create a RAID volume.
  8. To save settings and exit the Setup Utility program, press F10 or Fn+F10 (depending on the keyboard settings), select **Yes** in the window displayed, and press Enter.

### Viewing the information about a RAID volume

To view the information about a RAID volume, do the following:

1. Start the Setup Utility program. See “Starting the Setup Utility program” on page 63.
2. Select **Advanced** → **Intel Virtual RAID on CPU** and press Enter.
3. Select **RAID Volumes** and press Enter.
4. Select a RAID volume and press Enter to view the detailed information.

### Deleting a RAID volume

**Attention:** All the existing data stored on the selected drives will be erased after you delete RAID volumes.

To delete a RAID volume, do the following:

1. Start the Setup Utility program. See “Starting the Setup Utility program” on page 63.
2. Select **Advanced** → **Intel Virtual RAID on CPU** and press Enter.
3. Select **Intel VROC Managed Volumes** and press Enter.
4. Under **Volume Actions**, select **Delete** and press Enter.
5. When prompted, select **Yes** and press Enter to confirm the deletion of the selected RAID volume.

6. To save settings and exit the Setup Utility program, press F10 or Fn+F10 (depending on the keyboard settings), select **Yes** in the window displayed, and press Enter.

---

## Chapter 7. Troubleshooting, diagnostics, and recovery

This chapter provides solutions to resolve your computer problems. Follow the steps in the basic procedure for resolving computer problems, which helps you make good use of the troubleshooting, diagnostics, and recovery information.

---

### Basic procedure for resolving computer problems

It is recommended that you use the following procedure to resolve computer problems you are experiencing:

1. Ensure that:
  - a. The cables for all connected devices are connected correctly and securely.
  - b. All connected devices that require ac power are connected to properly grounded, functioning electrical outlets.
  - c. All connected devices are enabled in the BIOS settings of your computer. See “Enabling or disabling a device” on page 64.

If these actions do not resolve your problem, continue with the next step.

2. Use an antivirus program to see if your computer has been infected by a virus. If the program detects a virus, remove the virus. If the antivirus program does not resolve your problem, continue with the next step.
3. Go to “Troubleshooting” on page 77 and follow the instructions for the type of problem you are experiencing. If these troubleshooting instructions do not resolve your problem, continue with the next step.
4. Run the diagnostic program. See “Lenovo diagnostic tools” on page 84. If the diagnostic program does not resolve your problem, continue with the next step.
5. Recover your operating system. See “Recovery information” on page 84.
6. If none of these actions solve your problem, contact the Lenovo Customer Support Center. For a list of Lenovo Support phone numbers, go to <http://www.lenovo.com/support/phone>. For more information about help, service, and technical assistance, see Chapter 10 “Getting information, help, and service” on page 193.

---

### Troubleshooting

**Attention:** Do not open your computer or attempt any repair before reading and understanding the Chapter 1 “Read this first: Important safety information” on page 1.

Use the troubleshooting information to find solutions to problems that have definite symptoms.

### Startup problems

**The computer does not start up when you press the power button.**

Solutions:

Ensure that:

- The power cord is correctly connected to the rear of the computer and to a working electrical outlet.
- If your computer has a secondary power switch on the rear of the computer, ensure that it is switched on.
- The power indicator on the front of the computer is on.

- The computer voltage matches the voltage available at the electrical outlet for your country or region.

### **The operating system fails to start up.**

Solution:

Ensure that the startup device sequence set in the Setup Utility program includes the device where the operating system resides. Usually, the operating system is on the internal storage drive. For more information, see “Changing the startup device sequence permanently” on page 67.

### **The computer beeps multiple times before the operating system starts up.**

Solution:

Ensure that no keys are stuck.

## **Audio problems**

### **The audio cannot be heard on the Windows operating system.**

Solutions:

- If you are using powered external speakers that have an On/Off control, ensure that:
  - The On/Off control is set to the **On** position.
  - The speaker power cable is connected to a properly grounded, functional ac electrical outlet.
- If your external speakers have a volume control, ensure that the volume is not set too low.
- Click the volume icon in the Windows notification area on the taskbar. Ensure that the mute speakers settings are not selected and none of the volume settings is set too low.

**Note:** If the volume icon is not displayed in the Windows notification area, add the icon to the notification area. See the Windows help system.

- For some computers that have a front audio panel, ensure that the volume is not set too low.
- Ensure that your external speakers (and headphones, if used) are connected to the correct audio connectors on the computer. Most speaker cables are color-coded to match the connectors.

**Note:** When external-speaker or headphone cables are connected to the audio connectors, the internal speaker, if present, is disabled. In most cases, if an audio adapter is installed in one of the expansion slots, the audio function built into the system board is disabled. Therefore, you must use the audio connectors on the audio adapter.

- Ensure that the program you are running is designed for use on the Windows operating system. If the program is designed to run in DOS, the program does not use the Windows sound feature. The program must be configured to use Sound Blaster Pro or Sound Blaster emulation.
- Ensure that the audio device drivers are correctly installed.

### **The sound comes from one of the external speakers.**

Solutions:

- Ensure that the speaker cable is inserted completely into the connector on the computer.
- Right-click the volume icon in the Windows notification area on the taskbar. Then, click **Open Volume Mixer** and select the desired speaker. Click the **Levels** tab and ensure that the Balance settings are set correctly.

**Note:** If the volume icon is not displayed in the Windows notification area, add the icon to the notification area. See the Windows help system.

## CD or DVD problems

### **A CD or DVD does not work.**

Solutions:

- Ensure that the power cable and signal cable are securely connected to the drive.
- Ensure that the disc is inserted correctly, with its label up.
- Ensure that the disc you are using is clean. To remove dust or fingerprints, wipe the disc clean with a soft cloth from the center to the outside. Wiping a disc in a circular motion might cause loss of data.
- Ensure that the disc you are using is not scratched or damaged. Try inserting another disc that you know is good. If you cannot read from a known-good disc, you might have a problem with your optical drive or the cabling to your optical drive.
- If you have multiple CD or DVD drives installed (or a combination of CD and DVD drives), try inserting the disc into the other drive. In some cases, only one of the drives is connected to the audio subsystem.

### **A bootable recovery medium, such as the Product Recovery CD, cannot be used to start your computer.**

Solution:

Ensure that the CD or DVD drive is set as the top priority of the Boot Priority Order in the Setup Utility program. Refer to “Selecting a temporary startup device” on page 68 for information about viewing and changing the startup sequence.

**Note:** On some computer models, the startup sequence is permanently set and cannot be changed.

### **A black screen is displayed instead of the DVD video.**

Solutions:

- Restart the DVD player program.
- Try a lower screen resolution or color depth.
- Close any open files, and then restart the computer.

### **A DVD movie does not play.**

Solutions:

- Ensure that the disc surface is clean and not scratched.
- Check the disc or package for regional coding. You might need to purchase a disc with coding for the region where you are using your computer.

### **No audio or only an intermittent audio comes out while a DVD movie is playing.**

Solutions:

- Check the volume control settings on your computer and on your speakers.
- Ensure that the disc surface is clean and not scratched.
- Check all cable connections to and from the speakers.
- Use the DVD menu for the video to select a different audio track.

### **The playback is slow or choppy.**

Solutions:

- Disable any background programs, such as AntiVirus or Desktop Themes.

- Ensure that video resolution is lower than 1152 x 864 pixels.

**A message indicating invalid disc or no disc found is displayed.**

Solutions:

- Ensure that the disc is in the drive with the shiny side of the disc facing down.
- Ensure that video resolution is lower than 1152 x 864 pixels.
- Ensure that the DVD or CD is inserted into an appropriate optical drive. For example, do not insert a DVD into a CD-only drive.

## Intermittent problems

Intermittent problems refer to the problems occur only occasionally and are difficult to repeat.

Solutions:

- Ensure that all cables and cords are securely connected to the computer and attached devices.
- Ensure that when the computer is on, the fan grill is not blocked (there is air flow around the grill), and the fans are working. If airflow is blocked or the fans are not working, the computer might overheat.
- If Small Computer System Interface (SCSI) devices are installed, ensure that the last external device in each SCSI chain is terminated correctly. For more information, see your SCSI documentation.

## Storage drive problems

**Some or all storage drives are missing from the Setup Utility program.**

Solutions:

- Ensure that the signal cables and power cables for all the storage drives are connected correctly.
- If the computer is installed with SAS storage drives, ensure that the AVAGO MegaRAID adapter is correctly connected.

**The computer cannot start up from the correct storage drive or the message “No Operating System Found” is displayed.**

Solutions:

- Ensure that the signal cables and power cables for all the storage drives are connected correctly.
- Ensure that the computer starts up from the correct storage drive. Set the storage drive, on which the operating system resides, as the first startup device in the Setup Utility program. Refer to “Changing the startup device sequence permanently” on page 67.

**Note:** In rare cases, the storage drive with the operating system might get corrupted or damaged. If this problem occurs, replace the storage drive. Refer to Chapter 9 “Hardware removal and installation” on page 95.

## Ethernet LAN problems

**The computer cannot connect to an Ethernet LAN.**

Solutions:

- Connect the cable from the Ethernet connector to the RJ45 connector of the hub.
- Enable the Ethernet LAN feature in the Setup Utility program.
- Enable the Ethernet LAN adapter.



1. Go to **Control Panel** and view by large icons or small icons.
  2. Click **Network and Sharing Center** → **Change adapter settings**.
  3. Right-click the Ethernet LAN adapter icon and click **Enable**.
- Update or reinstall the Ethernet LAN driver. See “Keeping your computer current” on page 58.
  - Install all networking software that is necessary for your network environment. Check with your LAN administrator for the necessary networking software.
  - Set the same duplex for the switch port and the adapter. If you configured the adapter for full duplex, ensure that the switch port is also configured for full duplex. Setting the wrong duplex mode might degrade performance, cause data loss, or result in lost connections.

**When a Gigabit Ethernet model computer is used at a speed of 1000 Mbps, the Ethernet LAN connection fails or errors occur.**

Solution:

Connect the network cable to the Ethernet connector using Category 5 wiring and a 100 BASE-T hub/switch (not 100 BASE-X).

**A Gigabit Ethernet model computer should connect to the network at a speed of 1000 Mbps but at only a speed of 100 Mbps.**

Solutions:

- Try another cable.
- Set the link partner to auto-negotiate.
- Set the switch to be 802.3ab-compliant (gigabit over copper).

**The Wake On LAN feature does not work.**

Solution:

Enable the Wake On LAN feature in the Setup Utility program.

## Wireless LAN problem

**Note:** The wireless LAN feature is available only on some models.

**The wireless LAN feature does not work.**

Solutions:

- Enable the wireless LAN feature in the Setup Utility program.
- For the Windows operating system, enable the wireless LAN feature in Windows Settings. Click the Start button to open the Start menu, and then click **Settings** → **Network & Internet** → **WLAN**. Turn on the WLAN feature.
- Enable the wireless LAN adapter.
  1. Type **Device Manager** in the Windows search box and then press Enter.
  2. Type the administrator password or provide confirmation, if prompted.
  3. Expand **Network adapters** to display all network devices.
  4. Right-click each Wi-Fi device, and then click **Enable device**.
- Update or reinstall the wireless LAN driver. See “Keeping your computer current” on page 58.

## Bluetooth problems

**Note:** The Bluetooth feature is available only on some models.

### The Bluetooth feature does not work.

Solutions:

- Enable the Bluetooth feature in the Setup Utility program.
- Enable the Bluetooth devices. Do the following:
  1. Type **Device Manager** in the Windows search box and then press Enter.
  2. Type the administrator password or provide confirmation if prompted.
  3. Expand **Bluetooth** to display the Bluetooth devices. Then, right-click each Bluetooth device and then Click **Enable device**.
  4. Expand **Network adapters**. Then, right-click each Bluetooth device and then Click **Enable device**.
- Turn on the Bluetooth radio on the Windows operating system. Do the following:
  1. Type **Settings** in the Windows search box and then press Enter.
  2. Click **Devices → Bluetooth & other devices**.
  3. Turn on the **Bluetooth** switch to enable the Bluetooth feature.
- Update or reinstall the Bluetooth driver. See “Keeping your computer current” on page 58.

### No sound comes from the Bluetooth headset or headphones.

Solution:

Select the Bluetooth headset or headphones as the default audio output device in advanced sound settings.

## Performance problems

### Excessive fragmented files exist on the storage drives.

Solution:

Use the Windows disk defragmentation or disk optimization feature to clean up the files.

**Note:** Depending on the volume of the storage drives and amount of data stored on the storage drives, the disk-defragmentation process might take up to several hours.

1. Close any open programs and windows.
2. Type **This PC** in the Windows search box and then press Enter.
3. Right-click your C drive and then click **Properties**.
4. Click the **Tools** tab.
5. Click **Optimize**. Select the desired drive and then click **Optimize**.
6. Follow the instructions on the screen.

### The free storage drive space is insufficient.

Solutions:

Free up the storage drive space.

- Clean out your Inbox, Sent Items, and Deleted Items folders from your e-mail application.
- Clean up your C drive.

1. Type **This PC** in the Windows search box and then press Enter.
  2. Right-click your C drive and then click **Properties**.
  3. Check the amount of free space, and then click **Disk Cleanup**.
  4. A list of unnecessary file categories is displayed. Select each file category you want to delete, and then click **OK**.
- Turn some Windows features off or remove some unnecessary programs.
    1. Type **Control Panel** in the Windows search box and then press Enter. View by large icons or small icons.
    2. Click **Programs and Features**.
    3. Do one of the following:
      - To turn some Windows features off, click **Turn Windows features on or off**. Follow the instructions on the screen.
      - To remove some unnecessary programs, select the program you want to remove, and then click **Uninstall/Change** or **Uninstall**.

### **The free memory space is insufficient.**

Solutions:

- Right-click a blank area on the taskbar and open Task Manager. Then, end some tasks you are not performing.
- Install additional memory modules. See Chapter 9 “Hardware removal and installation” on page 95. To purchase memory modules, go to:  
<https://www.lenovo.com>

## **Serial connector problem**

### **The serial connector cannot be accessed.**

Solutions:

- Connect the serial cable from the serial connector on the computer to the serial device. If the serial device has its own power cord, connect the power cord to a grounded electrical outlet.
- Turn on the serial device and keep the device online.
- Install any programs supplied with the serial device. Refer to the documentation that comes with the serial device for more information.
- If you added one serial-connector adapter, ensure that the adapter is installed correctly.

## **USB device problems**

### **A USB device cannot be accessed.**

Solutions:

- Connect the USB cable from the USB connector to the USB device. If the USB device has its own power cord, connect the power cord to a grounded electrical outlet.
- Turn on the USB device and keep the device online.
- Install any device drivers or programs supplied with the USB device. Refer to the documentation that comes with the USB device for more information.
- Disconnect and reconnect the USB connector to reset the USB device.

- Ensure that the Smart USB Protection function is disabled. To configure the Smart USB Protection function, see “Using the Smart USB Protection function” on page 62.

## Software and driver problems

### For some programs, dates cannot be sorted in correct order.

Solution:

Some programs developed before the year 2000 use only the last two digits of a year to sort dates, assuming the first two digits are 19. Consequently, dates cannot be sorted in correct order nowadays. Check with your software manufacturer to see if any updates are available. Many software manufacturers make updates available from the World Wide Web.

### Some programs do not work as expected.

Solutions:

1. Check whether the problem is caused by a program.
  - a. Ensure that the software is compatible with your computer. Refer to the information supplied with the software for more information.
  - b. Verify that other software works properly on your computer.
  - c. Verify that the software you are using works on another computer.
2. If the problem is caused by a program:
  - Refer to the printed documentation that comes with the program or the help system of the program for troubleshooting information.
  - Update the program. See “Keeping your computer current” on page 58.
  - Uninstall the program and then reinstall it. To download a program that is preinstalled on your computer, go to <https://support.lenovo.com> and follow the instructions on the screen.

### A device does not work properly due to device driver problems.

Solution:

Update the device driver. See “Keeping your computer current” on page 58.

---

## Lenovo diagnostic tools

For information about Lenovo diagnostic tools, go to:  
<https://pcsupport.lenovo.com/lenovodiagnosicsolutions>

---

## Recovery information

This section provides instructions on how to recover your operating system.

**Note:** If a device does not work correctly after recovering the operating system, update the device driver. See “Keeping your computer current” on page 58.

To recover your Windows operating system, use the following solutions:

- Use Windows recovery solutions.
  - Use recovery solutions in Windows Settings.
    1. Type **Settings** in the Windows search box and then press Enter.

2. Click **Update & Security** → **Recovery**, and then follow the instructions on the screen to choose the appropriate recovery solution.
- Use System Restore to restore system files and settings to an earlier point.
    1. Type **Control Panel** in the Windows search box and then press Enter. View by large icons or small icons.
    2. Click **Recovery** → **Open System Restore**, and then follow on-screen instructions.
  - Use the File History tool to restore your files from a backup.

**Note:** If you use the File History tool to restore your files from a backup, ensure that you backed up your data earlier with the tool.

1. Type **Control Panel** in the Windows search box and then press Enter. View by large icons or small icons.
  2. Click **File History** → **Restore personal files**, and then follow on-screen instructions.
- Use the Windows recovery environment by doing one of the following:
    - After several consecutive failed boot attempts, the Windows recovery environment might start automatically. Follow the instructions on the screen to choose the appropriate recovery solution.
    - Select the recovery medium you created earlier with the Windows tool as the startup device. See “Selecting a temporary startup device” on page 68. Then, follow the instructions on the screen to choose the appropriate recovery solution.
  - Use the recovery USB key provided by Lenovo to restore the entire storage drive to the factory-default settings.
    - If your computer comes with the recovery USB key, follow the instructions shipped with the USB key.
    - If your computer does not come with the recovery USB key, contact the Lenovo Customer Support Center to order a recovery USB key. See “Calling for service” on page 194.



---

## Chapter 8. Service checkout and symptom-to-FRU index

This chapter provides information about general service checkout and symptom-to-FRU index.

---

### Service checkout

**Attention:** The drives in the computer you are servicing might have been rearranged or the drive startup sequence changed. Be extremely careful during write operations such as copying, saving, or formatting. Data or programs can be overwritten if you select an incorrect drive.

General error messages appear if a problem or conflict is found by a program, the operating system, or both. For an explanation of these messages, refer to the information supplied with that software package.

Before replacing any FRUs, ensure that the latest level of BIOS is installed on the system. A down-level BIOS might cause false errors and unnecessary replacement of the system board. For more information about how to determine and obtain the latest level BIOS, see “BIOS level” on page 69.

Use the following procedure to help determine the cause of the problem:

1. Turn off the computer and all external devices.
2. Check all cables and power cords.
3. Set all display controls to the middle position.
4. Turn on all external devices.
5. Turn on the computer.
  - Look for displayed error codes.
  - Listen for beep codes.
  - Look for readable instructions or a main menu on the display.

If you *did not* receive the correct response, proceed to step 6 on page 87.

If you *do* receive the correct response, proceed to step 7 on page 87.

6. Look at the following conditions and follow the instructions:
  - If you hear beep codes during POST, go to “Beep symptoms” on page 89.
  - If the computer displays a POST error, go to “POST error codes” on page 90.
  - If the computer hangs and no error is displayed, continue at step 7 on page 87.
7. Run the Diagnostic programs. See “Lenovo diagnostic tools” on page 84.
  - If you receive an error, replace the part that the diagnostic program calls out.
  - If the test stops and you cannot continue, replace the last device tested.

### Problem determination tips

Due to the variety of hardware and software combinations that can be encountered, use the following information to assist you in problem determination. If possible, have this information available when requesting assistance from Service Support and Engineering functions.

- Machine type and model
- Processor or hard disk drive upgrades
- Failure symptom
  - Do diagnostics indicate a failure?

- What, when, where, single, or multiple systems?
- Is the failure repeatable?
- Has this configuration ever worked?
- If it has been working, what changes were made prior to its failing?
- Is this the original reported failure?
- Diagnostics version
  - Type and version level
- Hardware configuration
  - Print (print screen) configuration currently in use
  - BIOS level
- Operating system software
  - Type and version level

**Notes:** To eliminate confusion, identical systems are considered identical only if they:

1. Are the exact machine type and models
2. Have the same BIOS level
3. Have the same adapters/attachments in the same locations
4. Have the same address jumpers/terminators/cabling
5. Have the same software versions and levels
6. Have the same Diagnostic Diskettes (version)
7. Have the same configuration options set in the system
8. Have the same setup for the operating system control files

Comparing the configuration and software set-up between “working and non-working” systems will often lead to problem resolution.

## Symptom-to-FRU index

The Symptom-to-FRU index lists error symptoms and possible causes. The most likely cause is listed first. Always begin with “Service checkout” on page 87. This index can also be used to help you decide which FRUs to have available when servicing a computer. If you are unable to correct the problem using this index, go to “Undetermined problems” on page 93.

**Notes:**

- The Symptom-to-FRU index is not specific to any machine type and are applicable to all ThinkStation computers.
- If you have both an error message and an incorrect audio response, diagnose the error message first.
- If you cannot run the diagnostic tests or you get a diagnostic error code when running a test, but did receive a POST error message, diagnose the POST error message first.
- If you did not receive any error message, look for a description of your error symptoms in the first part of this index.

## Hard disk drive boot error

A hard disk drive boot error can have the following causes.



| Error  | FRU/Action   |
|--|--|
| The start-up drive is not in the boot sequence in configuration. | Check the configuration and ensure that the start-up drive is in the boot sequence.  |
| No operating system installed on the boot drive.                 | Install an operating system on the boot drive.   |
| The boot sector on the startup drive is corrupted.               | The drive must be formatted. Do the following: <ol style="list-style-type: none"> <li>1. Attempt to back up the data on the failing hard disk drive.</li> <li>2. Using the operating system programs, format the hard disk drive.</li> </ol> |
| The drive is defective.  | Replace the hard disk drive.   |

## Power supply problems

If you suspect a power problem, use the following procedures.

| Check/Verify  | FRU/Action        |
|---|-------------------|
| Check the following for proper installation. <ul style="list-style-type: none"> <li>• Power cord</li> <li>• On/Off switch connector</li> <li>• On/Off switch power supply connector</li> <li>• System board power supply connectors</li> <li>• Microprocessor connection</li> </ul> | Reseat connectors |
| Check the power cord for continuity.  | Power cord        |
| Check the power-on switch for continuity.   | Power-on switch   |

## Beep symptoms

Beep symptoms are tones or a series of tones separated by pauses (intervals without sound) during POST.

The following table describes the beep symptoms.

| Beep symptom                                       | FRU/Action   |
|--|--|
| <b>2 short beeps:</b> common POST error            | Common POST error code. See the detailed failure information in "POST error codes" on page 90.   |
| <b>3 short and 1 long beeps:</b> DRAM memory error | Perform the following actions in order: <ol style="list-style-type: none"> <li>1. Make sure that the memory modules are properly seated in the memory slots.</li> <li>2. Replace the memory modules.</li> <li>3. Replace the system board (for trained service personnel only).</li> </ol> |

| Beep symptom  | FRU/Action  |
|---|---|
| <b>4 long beeps:</b> insufficient shadow RAM resources for option ROM (error code: 8998) or PCIe/PCI MMIO (memory mapped input/output) resources (error code: 8999) | See the detailed failure information in “POST error codes” on page 90.  |
| <b>2 long and 3 short beeps:</b> graphics card error  | Perform the following actions in order: <ol style="list-style-type: none"> <li>1. Make sure that the graphics cards are properly seated in the slots.</li> <li>2. Replace the graphics cards.</li> <li>3. Replace the system board (for trained service personnel only).</li> </ol> |

## POST error codes

Each time you turn on the system, it performs a series of tests that check the operation of the system and some options. This series of tests are called the *Power-On Self-Test*, or *POST*. POST checks the following operations:

- Some basic system-board operations
- Memory operation
- Video operation
- Whether the boot drive is working

If the POST detects a problem, an error message appears on the screen. A single problem might cause several error messages to appear. When you correct the cause of the first error message, the other error messages probably will not appear on the screen the next time.

| Error code | POST error message  | Description/Action  |
|------------|---|---|
| 0135       | CPU fan failure<br>System fan failure<br>Power fan failure<br>Front fan failure<br>Rear fan failure<br>Auxiliary fan failure<br>ODD fan failure | This error message is displayed when a fan fails and the system might be overheating.<br><br>Press F10 to exit.                   |
| 0211       | Keyboard not found  | This error message is displayed when no keyboard is detected.   |
| 0164       | Memory size decreased   | This error message is displayed when the memory size is decreased.<br><br>Press F10 to exit.                                      |
| 1762       | SATA device configuration change has occurred   | This error message is displayed when a hard disk drive change or an optical drive change has been made.<br><br>Press F10 to exit. |

| Error code | POST error message  | Description/Action   |
|------------|---|--|
| 1820       | More than one external fingerprint reader is attached. Turn off and remove all but the reader that you set up within your main operating system.        | This error message is displayed when more than one external fingerprint reader is connected to the computer.<br><br>Turn off and remove all but the reader that you set up within your main operating system.  |
| 1962       | No operating system found. Boot sequence will automatically repeat.   | This error occurs only after the POST is completed.<br><br>Press any key to repeat boot sequence.  |
| 8998       | Not enough shadow RAM resources for OPTION ROM, not all devices initialized. Suggest to remove some add-on cards, or change to UEFI mode in BIOS setup. | This error message is displayed when the shadow RAM resources for option ROM are insufficient.<br><br>If the legacy option ROM is insufficient, remove some add-in cards.<br><br>For the system that supports UEFI, set UEFI as the first priority or disable CSM in BIOS setup. |
| 8999       | Not enough PCIe/PCI MMIO resources. Currently only one video card is enabled. Remove some PCIe cards, or enter BIOS Setup and enable "Above 4GB Decode" | This error message is displayed when the PCIe/PCI MMIO (memory mapped input/output) resources are insufficient.<br><br>For the 32-bit operating system, remove some add-in cards.<br><br>For the 64-bit operating system, enable <b>Above 4 GB Decode</b> in BIOS setup.         |

## Miscellaneous error conditions

| Message/Symptom  | FRU/Action  |
|--|---|
| Changing display colors  | <b>Display/Monitor</b>  |
| Computer will <i>not</i> power-off. See "Hard disk drive boot error" on page 88. | <ol style="list-style-type: none"> <li>1. Power Switch</li> <li>2. System Board</li> <li>3. Riser card, if installed.</li> </ol>  |
| Computer will <i>not</i> RPL from server   | <ol style="list-style-type: none"> <li>1. Ensure that the network is in startup sequence as the first device or the first device after diskette.</li> <li>2. Ensure that the network adapter is enabled for RPL.</li> <li>3. Network adapter (Advise network administrator of new MAC address)</li> </ol> |

| Message/Symptom   | FRU/Action  |
|---|---|
| Computer will <i>not</i> perform a Wake On LAN® (if applicable)   | <ol style="list-style-type: none"> <li>1. Check the power supply and signal cable connections to the network adapter.</li> <li>2. Ensure that the operating system settings are set to enable Wake on LAN.</li> <li>3. Ensure that the Wake On LAN feature is enabled in Setup/Configuration (see “Starting the Setup Utility program” on page 63)</li> <li>4. Ensure that the network administrator is using the correct MAC address.</li> <li>5. Ensure no interrupt or I/O address conflicts.</li> <li>6. Network adapter (advise network administrator of new MAC address)</li> </ol> |
| Dead computer. See “Hard disk drive boot error” on page 88.   | <ol style="list-style-type: none"> <li>1. Power Supply</li> <li>2. System Board</li> </ol>  |
| Diskette drive in-use light remains on or does not light when drive is active.                                | <ol style="list-style-type: none"> <li>1. Diskette Drive</li> <li>2. System Board</li> <li>3. Diskette Drive Cable</li> </ol>   |
| Blank screen except for flashing cursor.  | <ol style="list-style-type: none"> <li>1. System Board</li> <li>2. Primary Hard Disk Drive</li> <li>3. Hard Disk Drive Cable</li> </ol>   |
| Incorrect memory size during POST   | <ol style="list-style-type: none"> <li>1. Run the Memory tests.</li> <li>2. Memory Module</li> <li>3. System Board</li> </ol>   |
| "Insert a Diskette" icon appears with a known-good diagnostics diskette in the first 3.5-inch diskette drive. | <ol style="list-style-type: none"> <li>1. System Board</li> <li>2. Diskette Drive Cable</li> <li>3. Network Adapter</li> </ol>  |
| Intensity or color varies from left to right of characters and color bars                                     | <ol style="list-style-type: none"> <li>1. Display</li> <li>2. Video adapter (if present)</li> <li>3. System Board</li> </ol>  |
| No power or fan not running   | <ol style="list-style-type: none"> <li>1. See “Hard disk drive boot error” on page 88.</li> </ol>   |
| Non-system disk or disk error-type message with a known-good diagnostic diskette.                             | <ol style="list-style-type: none"> <li>1. Diskette Drive</li> <li>2. System Board</li> <li>3. Diskette Drive Cable</li> </ol>   |
| Other display symptoms not listed above (including blank or illegible display)                                | <ol style="list-style-type: none"> <li>1. Display</li> <li>2. System Board</li> </ol>   |
| Power-on indicator or hard disk drive in-use light not on, but computer works correctly                       | <ol style="list-style-type: none"> <li>1. Power switch/LED assembly</li> <li>2. System Board</li> </ol>   |
| Printer problems  | <ol style="list-style-type: none"> <li>1. Printer</li> <li>2. System Board</li> </ol>   |

| Message/Symptom  | FRU/Action   |
|--|--|
| Program loads from the hard disk with a known-good diagnostics diskette in the first 3.5-inch diskette drive | <ol style="list-style-type: none"> <li>1. Run the Setup Utility program and check the Startup sequence.</li> <li>2. Diskette Drive</li> <li>3. Diskette Drive Cable</li> <li>4. System Board</li> <li>5. Power Supply</li> </ol>   |
| RPL computer cannot access programs from its own hard disk.  | <ol style="list-style-type: none"> <li>1. If the network administrator is using LCCM Hybrid RPL, check the startup sequence: <ol style="list-style-type: none"> <li>a. <b>First device - network</b></li> <li>b. <b>Second device - hard disk</b></li> </ol> </li> <li>2. Hard disk drive</li> </ol> |
| RPL computer does not RPL from server  | <ol style="list-style-type: none"> <li>1. Check the startup sequence.</li> <li>2. Check the network adapter LED status.</li> </ol>   |
| Serial or parallel connector device failure (system board connector)   | <ol style="list-style-type: none"> <li>1. External Device Self-Test OK?</li> <li>2. External Device</li> <li>3. Cable</li> <li>4. System Board</li> </ol>  |
| Serial or parallel connector device failure (adapter connector)  | <ol style="list-style-type: none"> <li>1. External Device Self-Test OK?</li> <li>2. External Device</li> <li>3. Cable</li> <li>4. Alternate Adapter</li> <li>5. System Board</li> </ol>  |
| Some or all keys on the keyboard do not work   | <ol style="list-style-type: none"> <li>1. Keyboard</li> <li>2. Keyboard Cable</li> <li>3. System Board</li> </ol>  |

## Undetermined problems

This section provides instructions on how to find out the failing devices or adapters.

1. Turn off the computer.
2. Remove or disconnect the following components (if installed) one at a time.
  - a. External devices (modem, printer, or mouse)
  - b. Any adapters
  - c. Memory modules
  - d. Extended video memory
  - e. External Cache
  - f. External Cache RAM
  - g. Hard disk drive
  - h. Diskette drive
3. Turn on the computer to retest the system.

4. Repeat steps 1 through 3 until you find the failing device or adapter.

If all devices and adapters have been removed, and the problem continues, replace the system board. See “System board” on page 187.

---

## Chapter 9. Hardware removal and installation

This chapter provides instructions on how to remove and install hardware for your computer.

---

### Handling static-sensitive devices

Do not open the static-protective package containing the new part until the defective part has been removed and you are ready to install the new part. Static electricity, although harmless to you, can seriously damage computer components and options.

When you handle options and other computer components, take these precautions to avoid static-electricity damage:

- Limit your movement. Movement can cause static electricity to build up around you.
- Always handle options and other computer components carefully. Handle PCI/PCIe cards, memory modules, system boards, and microprocessors by the edges. Never touch any exposed circuitry.
- Prevent others from touching the options and other computer components.
- Touch the static-protective package containing the part to a metal expansion-slot cover or other unpainted metal surface on the computer for at least two seconds. This reduces static electricity from the package and your body before you install or replace a new part.
- When possible, remove the new part from the static-protective package, and install it directly in the computer without setting the part down. When this is not possible, place the static-protective package on a smooth, level surface and place the part on the package.
- Do not place the part on the computer cover or other metal surface.

---

### Preparing your computer and removing the computer cover

**Attention:** Do not open your computer or attempt any repair before reading and understanding the Chapter 1 “Read this first: Important safety information” on page 1.

**CAUTION:**



**Avoid contact with hot components inside the computer. During operation, some components become hot enough to burn the skin. Before you open the computer cover, turn off the computer, disconnect power, and wait approximately 10 minutes for the components to cool.**

Before installing or removing any hardware component in your computer, do the following to prepare your computer and remove the computer cover:

1. Remove any media from the drives and turn off all attached devices and the computer. Then, disconnect all power cords from electrical outlets and disconnect all cables that are connected to the computer.
2. Unlock any locking device that secures the computer cover. See “Locking your computer” on page 59.
3. Remove the two screws that secure the computer cover.
4. Press the cover-release button on the side of the computer and slide the cover to the rear of the computer to remove the cover.

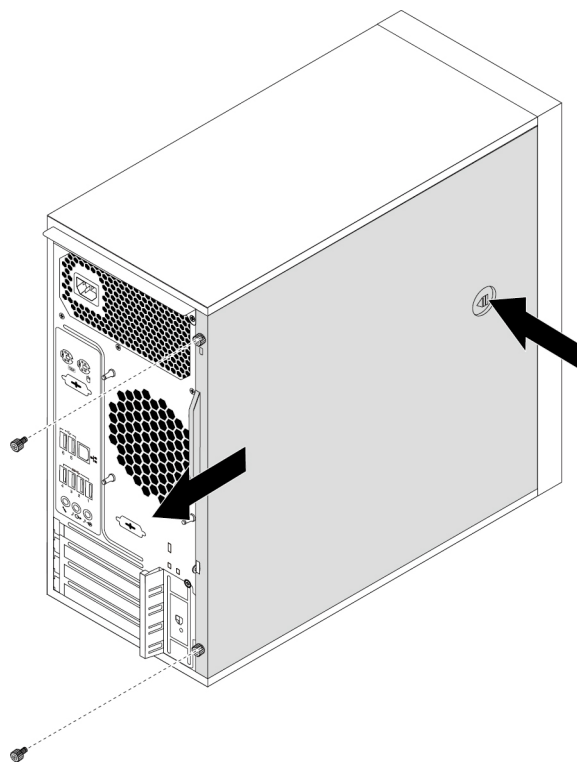


Figure 13. Removing the computer cover

#### Notes:

- Depending on your computer model, some of the hardware parts in the removing or installing section might not be available.
- Use computer parts provided only by Lenovo.
- When removing or installing an option, use the appropriate instructions in this section along with the instructions that come with the option.
- In most areas of the world, Lenovo requires the return of the defective CRU. Information about this will come with the CRU or will come a few days after the CRU arrives.

---

## Removing and installing hardware

This section provides instructions on how to remove and install hardware for your computer. You can expand the capabilities of your computer and maintain your computer by removing or installing hardware.

**Attention:** Do not open your computer or attempt any repair before reading and understanding the Chapter 1 “Read this first: Important safety information” on page 1.

## External options

You can connect external options to your computer, such as external speakers, a printer, or a scanner. For some external options, you must install additional software in addition to making the physical connection. When installing an external option, see “Hardware locations” on page 29 to identify the required connector. Then, use the instructions that come with the option to help you make the connection and install any required software or device drivers.



## Front bezel

**Attention:** Do not open your computer or attempt any repair before reading and understanding the Chapter 1 “Read this first: Important safety information” on page 1.

To remove and install the front bezel, do the following:

1. Prepare your computer. See “Preparing your computer and removing the computer cover” on page 95.
2. Release the three plastic tabs on the left side and pivot the front bezel outward to remove it from the computer.

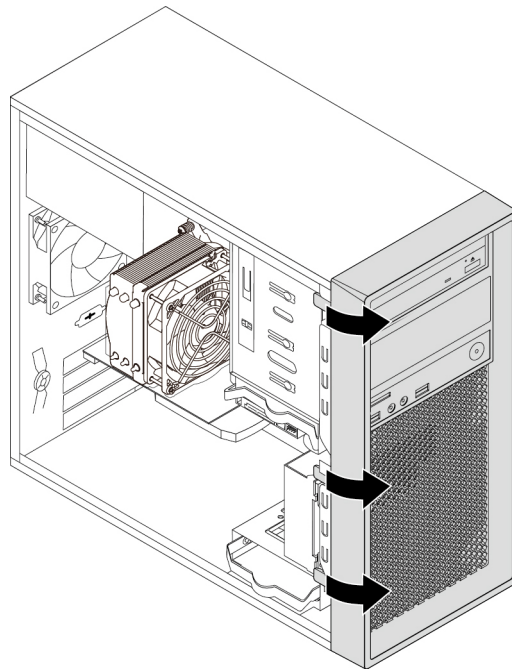


Figure 14. Removing the front bezel

3. To install the front bezel, align the three plastic tabs on the right side of the front bezel with the corresponding holes in the chassis. Then pivot the front bezel inwards until it snaps into position on the left side.

### What to do next:

- To work with another piece of hardware, go to the appropriate section.
- To complete the installation or replacement, go to “Completing the parts replacement” on page 191.

## Power button

**Attention:** Do not open your computer or attempt any repair before reading and understanding the Chapter 1 “Read this first: Important safety information” on page 1.

To remove and install the power button, do the following:

1. Prepare your computer. See “Preparing your computer and removing the computer cover” on page 95.
2. Remove the front bezel. See “Front bezel” on page 97.
3. Locate the power button. See “Computer components” on page 33.
4. Disconnect the power button cable from the power button connector on the system board. See “Parts on the system board” on page 39.

5. Remove the screw that secures the power button to the front bezel. Then, remove the power button from the front bezel.

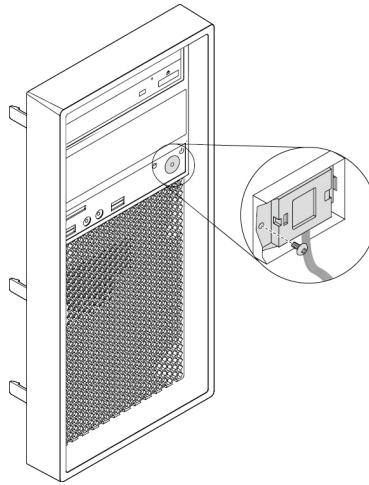


Figure 15. Removing the power button

6. Align the screw hole in the power button with the corresponding hole in the front bezel. Then install the screw to secure the power button to the front bezel.

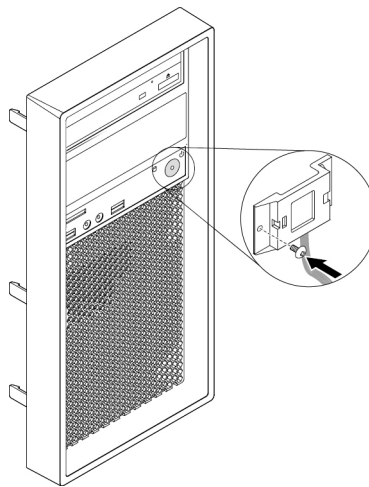


Figure 16. Installing the power button

7. Connect the power button cable to the front-bezel connector on the system board. See “Parts on the system board” on page 39.
8. Reinstall the front bezel. See “Front bezel” on page 97.

**What to do next:**

- To work with another piece of hardware, go to the appropriate section.
- To complete the installation or replacement, go to “Completing the parts replacement” on page 191.

## PCIe card

**Attention:** Do not open your computer or attempt any repair before reading and understanding the Chapter 1 “Read this first: Important safety information” on page 1.

Your computer has one PCIe x4 card slot, one PCIe x8 card slot, and two PCIe x16 card slots (graphics card available on some models).

### Half-length PCIe card

To remove or install a half-length PCIe card, do the following:

1. Prepare your computer. See “Preparing your computer and removing the computer cover” on page 95.
2. At the rear of the computer, press the release button **1** to open the card latch **2**.

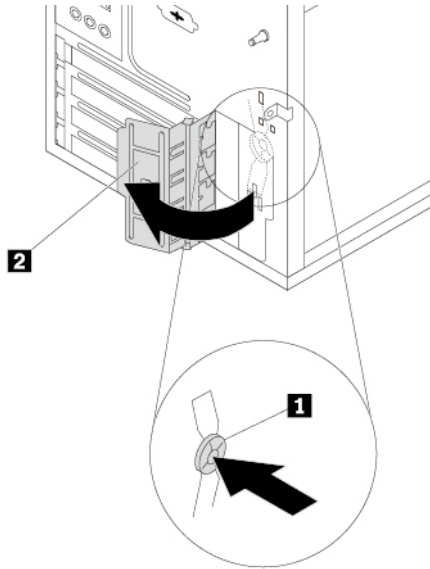


Figure 17. Opening the PCIe card latch

3. Locate the PCIe card slot. See “Parts on the system board” on page 39.
4. If the PCIe card slot is a PCIe x16 card slot, press the retaining latch **1** as shown to disengage the latch.

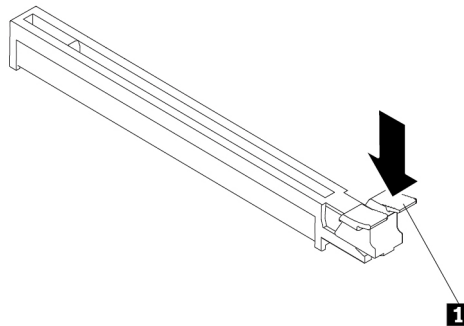


Figure 18. Disengaging the retaining latch

5. To remove a half-length PCIe card, grasp the old card that is currently installed and gently pull it out of the slot.

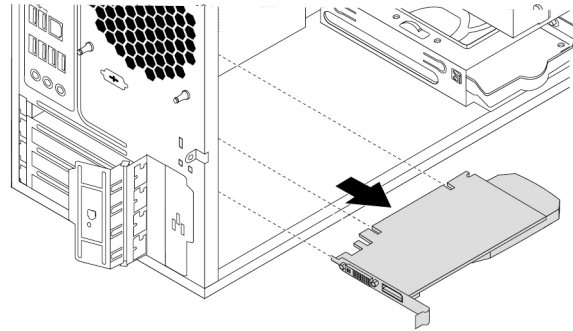


Figure 19. Removing a PCIe card

**Notes:**

- If the card is connected to other device, disconnect the cables from the card.
  - The card might fit tightly into the slot. If necessary, alternately move each side of the card a small amount until the card is removed from the slot.
6. To install a half-length PCIe card, do the following:
    - a. Remove the new PCIe card from its static-protective package.
    - b. If necessary, remove the appropriate metal slot cover.
    - c. Install the new card into the card slot on the system board until it is securely seated. See “Parts on the system board” on page 39.

**Note:** If you are installing a PCIe x16 graphics card, ensure that the memory-slot retaining clips are closed before you install the card to avoid any interference during the installation.

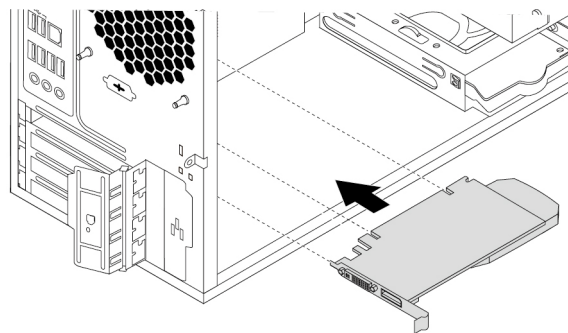


Figure 20. Installing a PCIe card

- d. Pivot the card latch to the closed position to secure the PCIe card.

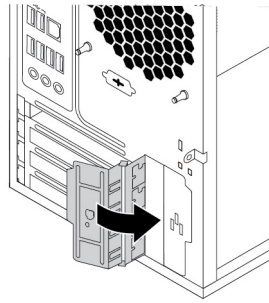


Figure 21. Closing the PCIe card latch

**What to do next:**

- To work with another piece of hardware, go to the appropriate section.
- To complete the installation or replacement, go to “Completing the parts replacement” on page 191.

**Full-length PCIe card**

- To remove or install a Type-1 full-length PCIe card, do the following:
  1. Prepare your computer. See “Preparing your computer and removing the computer cover” on page 95.
  2. Lay the computer on its side for easier access to the PCIe card slots.
  3. At the rear of the computer, press the release button **1** to open the card latch **2**.

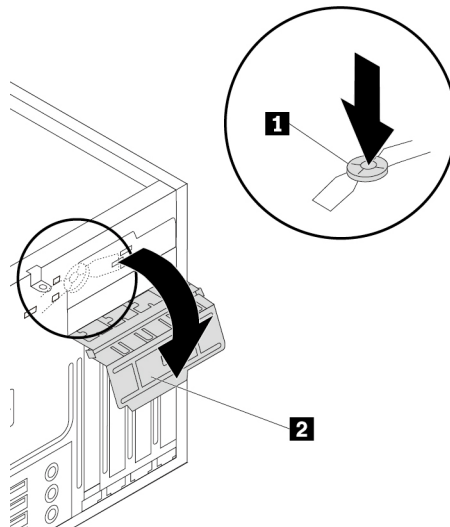


Figure 22. Opening the PCIe card latch

4. Locate the PCIe card slot. See “Parts on the system board” on page 39.

5. If the PCIe card slot is a PCIe x16 card slot, press the retaining latch **1** as shown to disengage the latch.

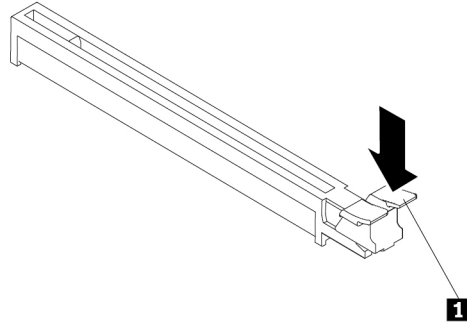


Figure 23. Disengaging the retaining latch

6. To remove a full-length PCIe card, do the following:
  - a. Pivot the tab on the front fan assembly outward to open the latch inside.

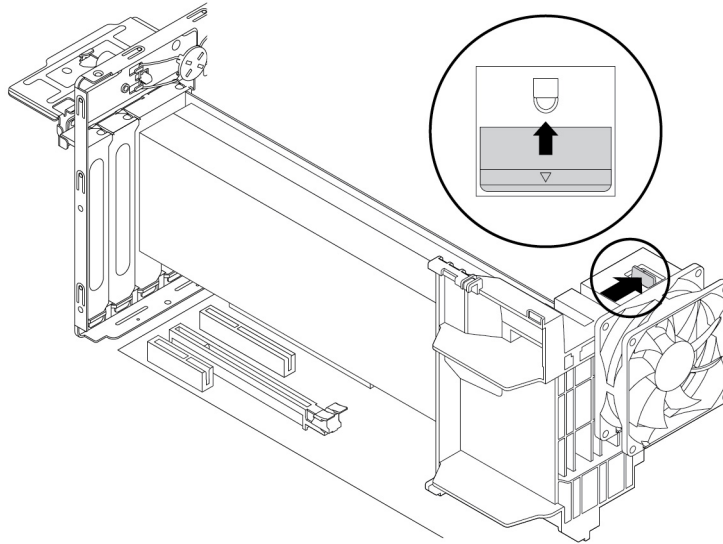
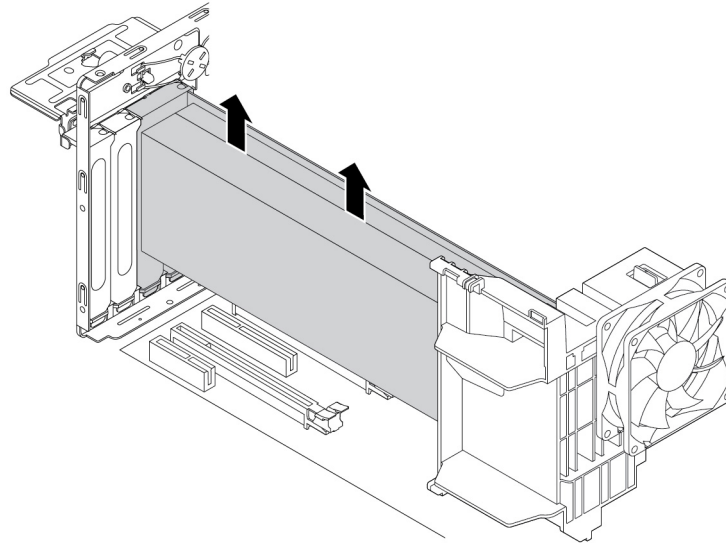


Figure 24. Opening the latch on the front fan assembly

- b. Grasp the old card that is currently installed and gently pull it out of the slot.

**Notes:**

- If the card is connected to other device, disconnect the cables from the card.
- The card might fit tightly into the slot. If necessary, alternately move each side of the card a small amount until the card is removed from the slot.



*Figure 25. Removing the full-length PCIe card*

7. To install a full-length PCIe card, do the following:
  - a. Remove the new full-length PCIe card from its static-protective package.

- b. Align the notch on the new full-length PCIe card with the slot key in a PCIe x16 card slot on the system board. Then, insert the new card downward into the card slot until it is secured tightly. See “Parts on the system board” on page 39.

**Note:** Ensure that the memory-slot retaining clips are closed before you install the card to avoid any interference during the installation.

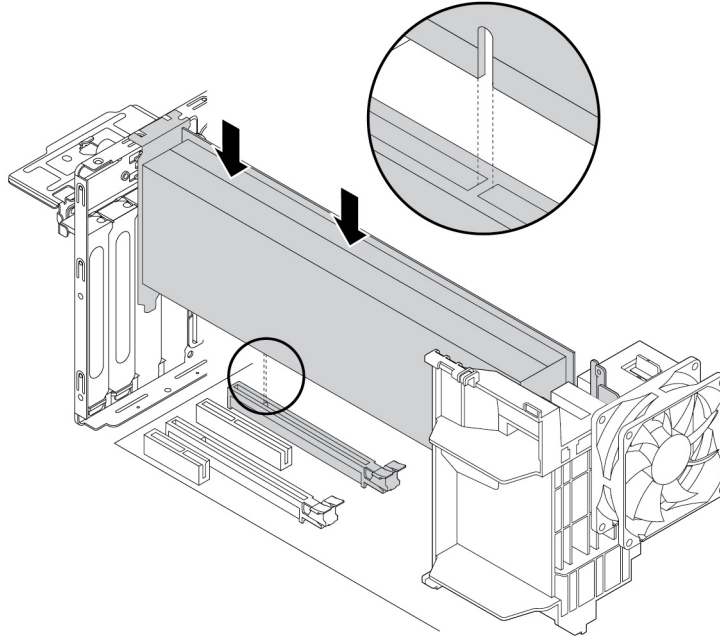


Figure 26. Installing a full-length PCIe card

- c. Pivot the tab on the front fan assembly inward to close the latch inside.

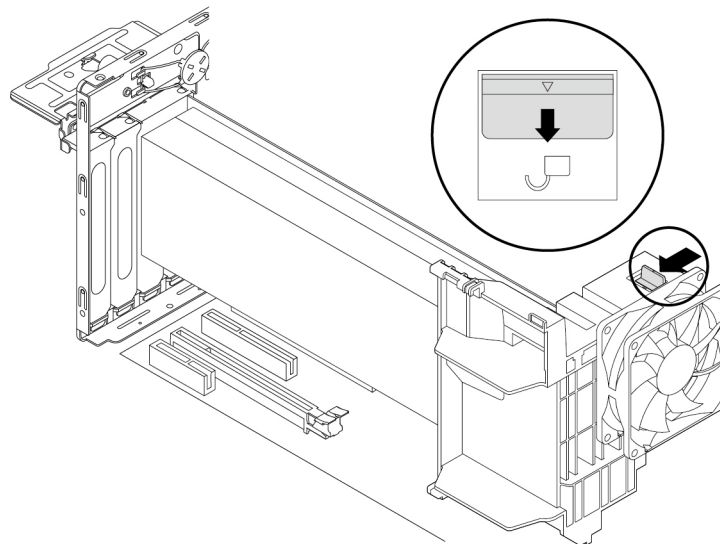


Figure 27. Closing the latch on the front fan assembly



- Pivot the card latch to the closed position to secure the full-length PCIe card.

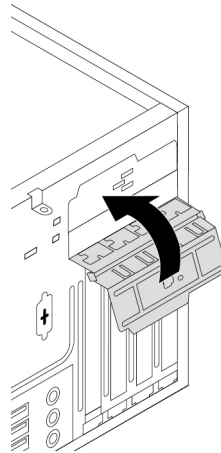


Figure 28. Closing the PCIe card latch

**What to do next:**

- To work with another piece of hardware, go to the appropriate section.
- To complete the installation or replacement, go to “Completing the parts replacement” on page 191.
- To remove or install a Type-2 full-length PCIe card, do the following:
  1. Prepare your computer. See “Preparing your computer and removing the computer cover” on page 95.
  2. Lay the computer on its side for easier access to the PCIe card slots.
  3. At the rear of the computer, press the release button **1** to open the card latch **2**.

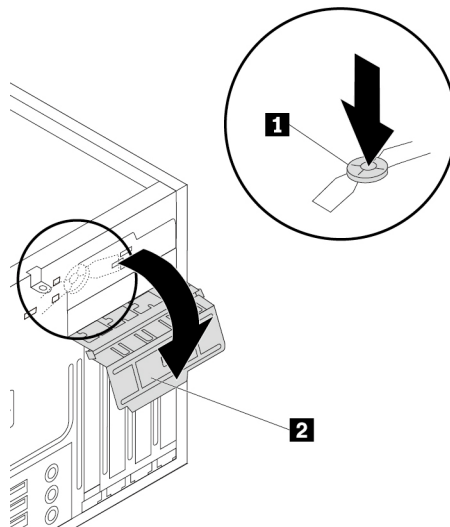


Figure 29. Opening the PCIe card latch

4. Locate the PCIe card slot. See “Parts on the system board” on page 39.
5. To remove a full-length PCIe card, do the following:

- a. Remove the two screws on bracket **1** that secure the end of the PCIe card.

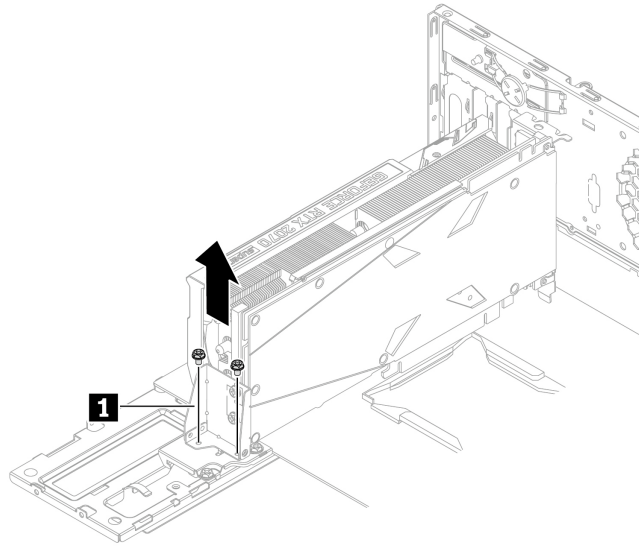


Figure 30. Removing the two screws

- b. Grasp the failing card with bracket **1** and gently pull it out of the slot.

**Notes:**

- If the card is connected to other device, disconnect the cables from the card.
- The card might fit tightly into the slot. If necessary, alternately move each side of the card a small amount until the card is removed from the slot.

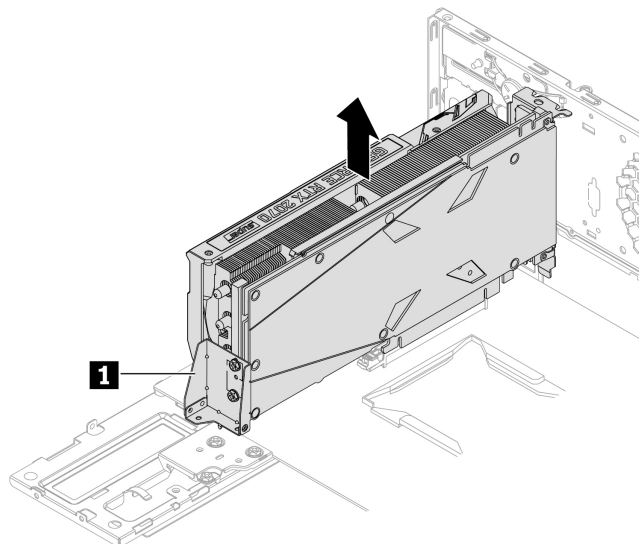


Figure 31. Removing the full-length PCIe card with bracket **1**

- c. Remove the three screws, and then remove bracket **2** from the system board.

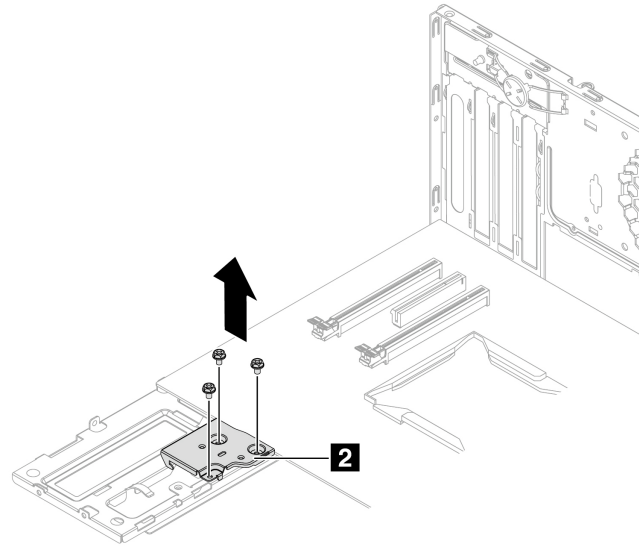


Figure 32. Removing the three screws

- d. Remove the two screws, and then remove bracket **1** from the PCIe card.

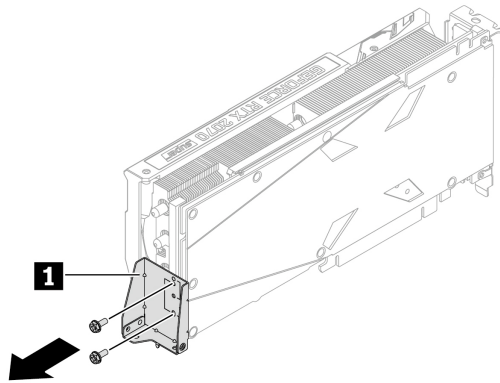


Figure 33. Removing the two screws

6. To install a full-length PCIe card, do the following:
  - a. Remove the new full-length PCIe card from its static-protective package.
  - b. Install the two screws to secure bracket **1** to the PCI card.

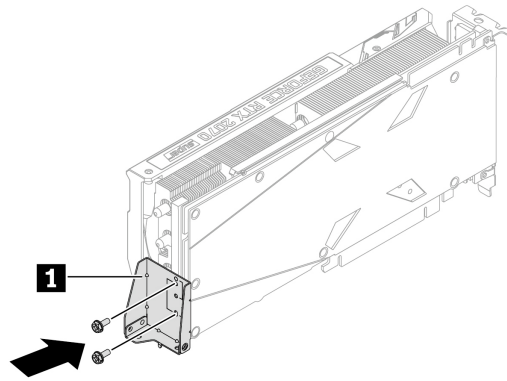


Figure 34. Installing the two screws

- c. Install the three screws to secure bracket **2** to the system board.

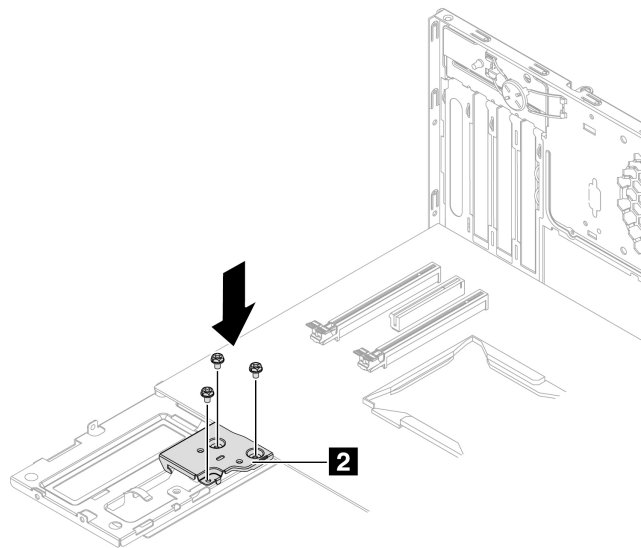


Figure 35. Installing the three screws

- d. Align the notch on the new full-length PCIe card with the slot key in a PCIe card slot on the system board. Then, insert the new card downward into the card slot until it is secured tightly. See “Parts on the system board” on page 39.

**Note:** Ensure that the memory-slot retaining clips are closed before you install the card to avoid any interference during the installation.

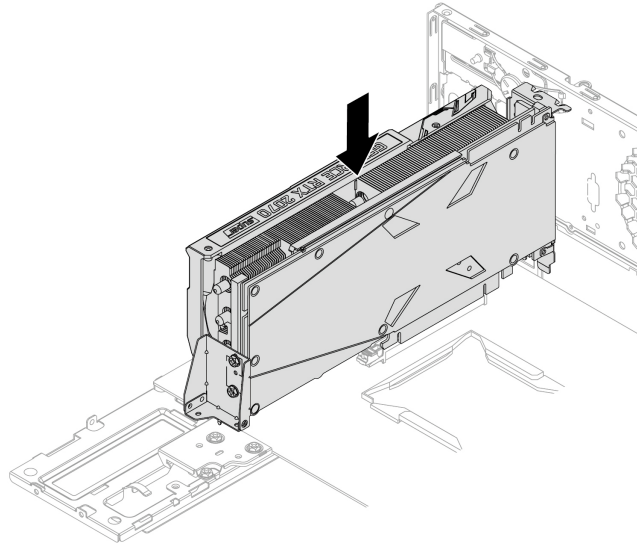


Figure 36. Installing a full-length PCIe card

- e. Install the two screws on bracket **1** to secure the end of the PCIe card.

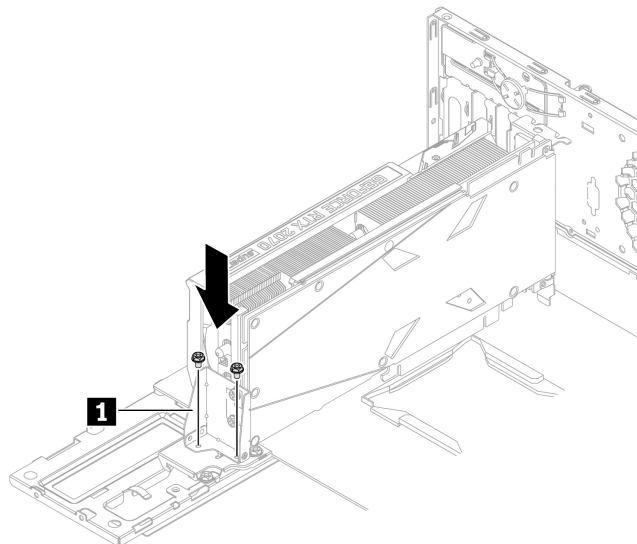


Figure 37. Installing the two screws

7. Pivot the card latch to the closed position to secure the full-length PCIe card.

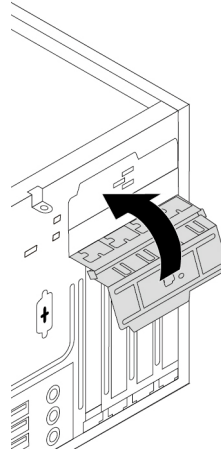


Figure 38. Closing the PCIe card latch

**What to do next:**

- To work with another piece of hardware, go to the appropriate section.
- To complete the installation or replacement, go to “Completing the parts replacement” on page 191.

## Memory module

**Attention:** Do not open your computer or attempt any repair before reading and understanding the Chapter 1 “Read this first: Important safety information” on page 1.

Your computer has four memory slots for installing or replacing DDR4 RDIMMs that provide up to a maximum of 128 GB system memory. When installing or replacing a memory module, use the following guidelines:

- Use any of DDR4 ECC RDIMMs for your computer.
- Use 8 GB, 16 GB, or 32 GB ECC RDIMMs in any combination up to a maximum of 128 GB system memory.

- Install memory modules in the alphabetic order as shown.

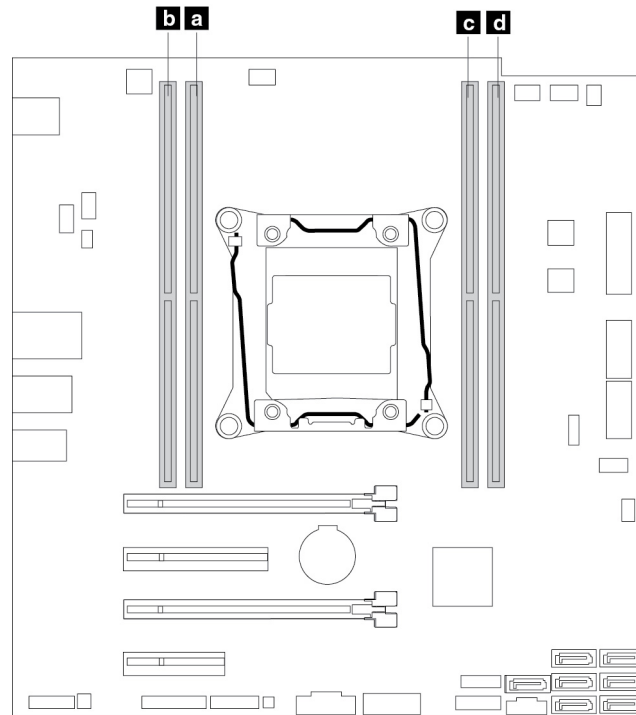


Figure 39. Memory module installation order

To remove or install a memory module, do the following:

1. Prepare your computer. See “Preparing your computer and removing the computer cover” on page 95.
2. Lay the computer on its side for easier access to the system board.
3. Locate the memory slots. See “Parts on the system board” on page 39.
4. Remove any parts that might prevent your access to the memory slots. Depending on your computer model, you might need to remove the PCIe x16 graphics card for easier access to the memory slots. See “Full-length PCIe card” on page 101.
5. To remove a memory module, open the retaining clips and gently pull the memory module out of the memory slot.

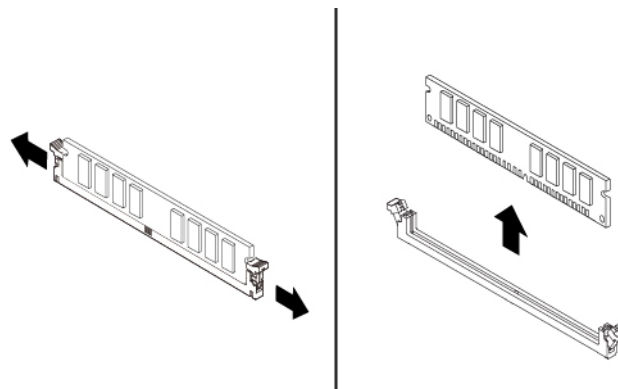


Figure 40. Removing a memory module

6. To install a memory module, do the following:
  - a. Open the retaining clips of the memory slot into which you want to install the memory module.

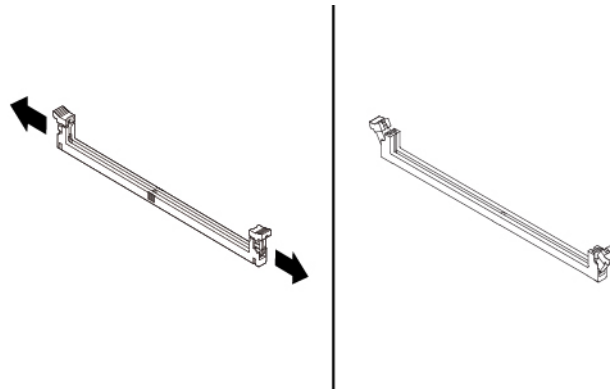


Figure 41. Opening the retaining clips

- b. Position the new memory module over the memory slot. Ensure that the notch **1** on the memory module is aligned with the key **2** in the slot. Push the memory module straight down into the slot until the retaining clips completely close.

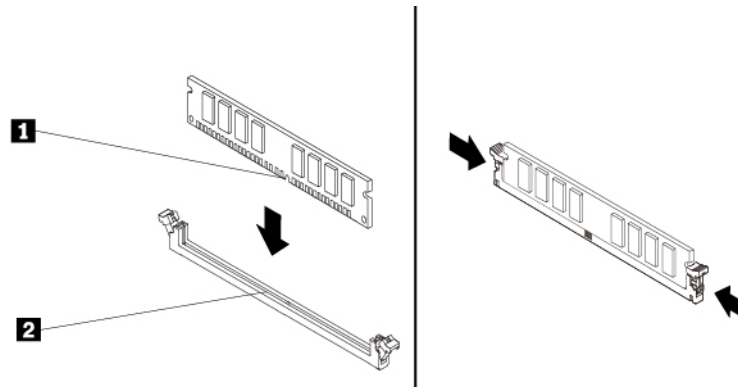


Figure 42. Installing a memory module

7. Reinstall the PCIe x16 graphics card if you have removed it.

#### What to do next:

- To work with another piece of hardware, go to the appropriate section.
- To complete the installation or replacement, go to “Completing the parts replacement” on page 191.

## Optical drive

**Attention:** Do not open your computer or attempt any repair before reading and understanding the Chapter 1 “Read this first: Important safety information” on page 1.

Depending on your computer model, the following devices might be installed in the flex bays:

- 5.25-inch flex module
- Front-access storage enclosure
- Multi-drive conversion kit



- Optical drive
- Slim-optical-drive adapter
- Storage drive bracket

**Note:** The following instructions on how to remove or install an optical drive also apply to other supported devices in the flex bay.

To remove or install an optical drive, do the following:

1. Prepare your computer. See “Preparing your computer and removing the computer cover” on page 95.
2. Remove the front bezel. See “Front bezel” on page 97.
3. If you are removing an optical drive, do the following:
  - a. Disconnect cables from the rear of the optical drive, press the release button **1**, and then slide the optical drive out of the chassis.

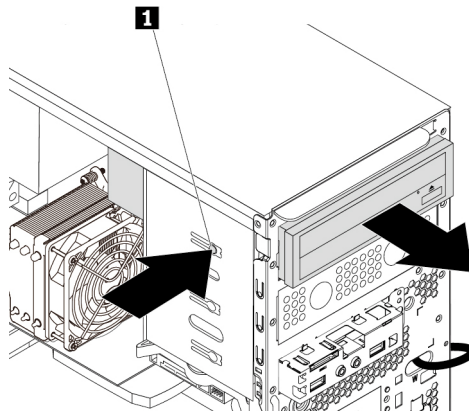
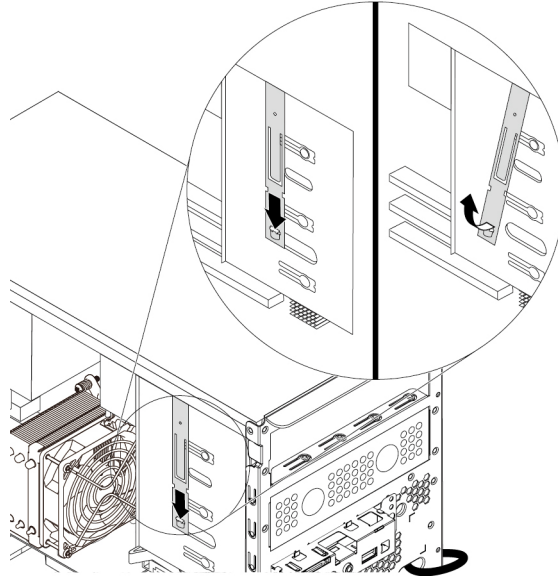


Figure 43. Removing the optical drive

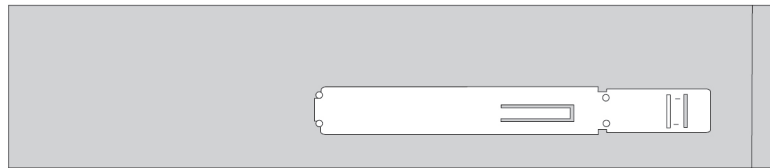
- b. Remove the optical-drive retainer from the left side of the optical drive.
4. If you are installing an optical drive, do the following:

- a. Locate the optical-drive retainer from the left side of the computer. Push the retainer downwards to unlock the retainer. Then lift the retainer out of the chassis.



*Figure 44. Removing the optical-drive retainer from the computer*

- b. Install the optical-drive retainer onto the left side of the new optical drive.



*Figure 45. Installing the optical-drive retainer*

- c. If necessary, remove the plastic panel in the front bezel for the desired flex bay.

- d. Slide the new optical drive into the flex bay from the front of the computer until the optical drive snaps into position.

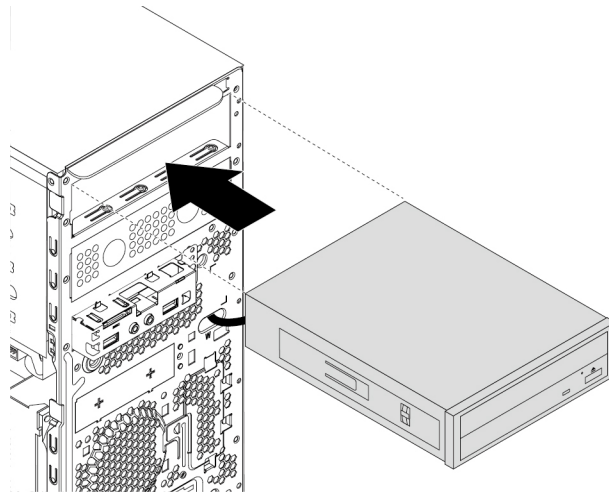


Figure 46. Installing the optical drive

- e. Connect the cables to the rear of the new optical drive.

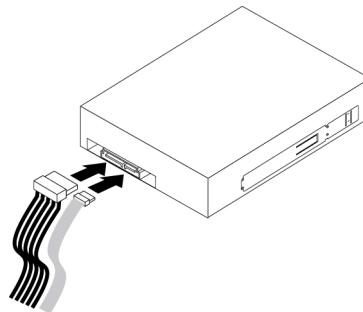


Figure 47. Connecting the cables to the rear of the new optical drive

5. Reinstall the front bezel. See “Front bezel” on page 97.

**What to do next:**

- To work with another piece of hardware, go to the appropriate section.
- To complete the installation or replacement, go to “Completing the parts replacement” on page 191.

## Storage drive in the front-access storage enclosure

**Attention:** Do not open your computer or attempt any repair before reading and understanding the Chapter 1 “Read this first: Important safety information” on page 1.

You can install or replace a storage drive in the front-access storage enclosure. The storage drive also can be hot-swappable, which means that you can install or replace the drive without even turning off your computer. Therefore, lock the enclosure cover to prevent the unexpected removal. The keys are attached at the rear of the computer. Store the keys in a secure place.

The storage drive in the front-access storage enclosure is hot-swappable only when the following requirements are met:

- The SATA cable of the front-access storage enclosure is connected to the eSATA connector on the system board. To verify the cable connection, see “Preparing your computer and removing the computer cover” on page 95 and “Parts on the system board” on page 39 for more information.
- The operating system of your computer does not reside on the storage drive installed in the front-access storage enclosure.

**Attention:** If any of the above requirements are not met, do not remove or install the storage drive when the computer is turned on. Otherwise, data on the storage drive might get damaged.

### 3.5-inch storage drive

To remove or install a 3.5-inch storage drive, do the following:

1. Before removing an old 3.5-inch storage drive, safely eject the old storage drive from the operating system first. For more information, see the Windows help system.
2. Unlock the enclosure cover with the provided key as shown. Press the notch **a** to open the enclosure cover.

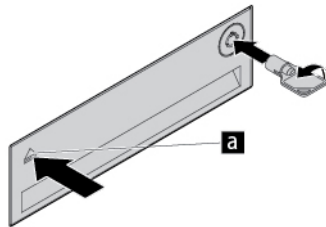


Figure 48. Opening the front-access storage enclosure cover

3. Press the pit on the bracket cover, and then grasp the tilted cover to pull the bracket out of the front-access storage enclosure.

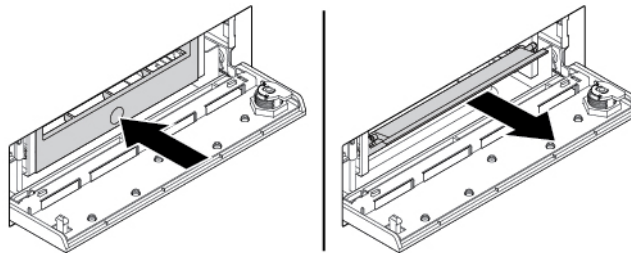
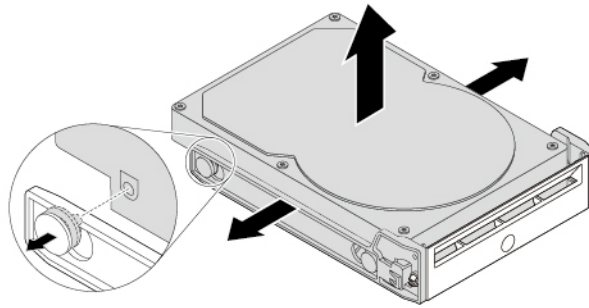


Figure 49. Removing the bracket from the front-access storage enclosure

4. To remove the 3.5-inch storage drive, flex both sides of the bracket to remove the 3.5-inch storage drive from the bracket.



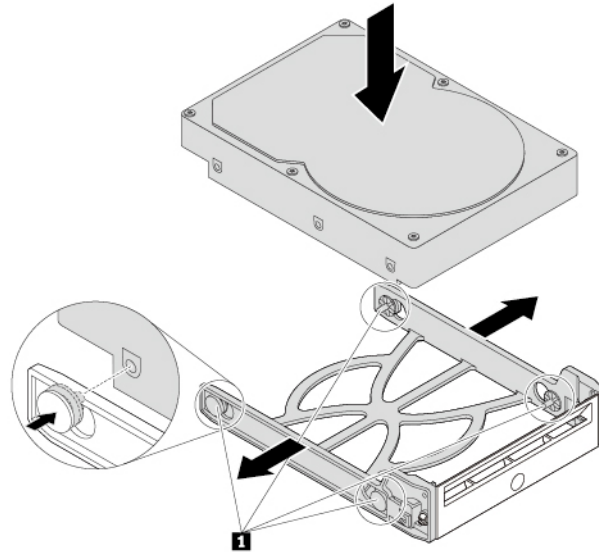
*Figure 50. Removing the 3.5-inch storage drive from the bracket*

5. To install a new 3.5-inch storage drive into the front-access storage enclosure, do the following:

- a. Flex both sides of the bracket and align pins **1** on the bracket with the corresponding holes in the new 3.5-inch storage drive.

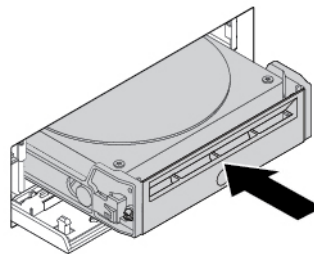
**Notes:**

- Ensure that the circuit board faces downward and the connectors face toward the rear of the bracket.
- Do not touch the circuit board on the storage drive.



*Figure 51. Installing the 3.5-inch storage drive into the bracket*

- b. Slide the bracket with the new 3.5-inch storage drive into the front-access storage enclosure until it snaps into position.



*Figure 52. Installing the 3.5-inch storage drive into the front-access storage enclosure*

- c. Press the notch to secure the enclosure cover and lock the enclosure cover with the key.

**What to do next:**

- To work with another piece of hardware, go to the appropriate section.
- To complete the installation or replacement, go to “Completing the parts replacement” on page 191.

### 2.5-inch storage drive

To remove or install a 2.5-inch storage drive, do the following:

1. Before removing an old 2.5-inch storage drive, safely eject the old storage drive from the operating system first. For more information, see the Windows help system.
2. Unlock the enclosure cover with the provided key as shown. Press the notch **a** to open the enclosure cover.

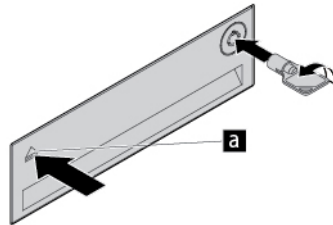


Figure 53. Opening the front-access storage enclosure cover

3. Press the pit on the bracket cover, and then grasp the tilted cover to pull the bracket out of the front-access storage enclosure.

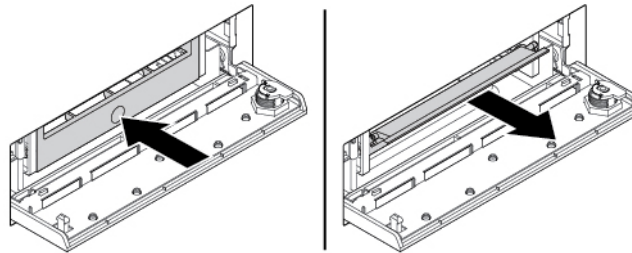


Figure 54. Removing the bracket from the front-access storage enclosure

4. To remove the 2.5-inch storage drive, do the following:
  - a. Flex both sides of the bracket to remove the 2.5-inch storage drive from the bracket.

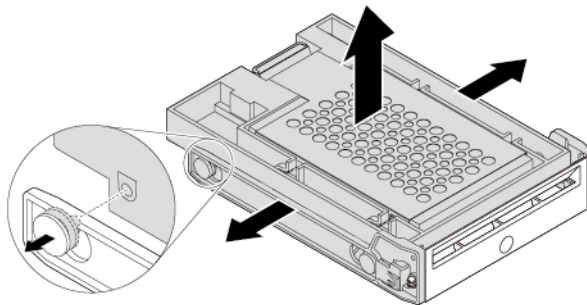


Figure 55. Removing the 2.5-inch storage drive from the bracket

- b. Pivot the tab **1** of the metal adapter upward. Then, push the adapter as shown until the four tabs on the adapter slide into the notches **2**. Pivot the adapter as shown to remove it with the storage drive from the converter.

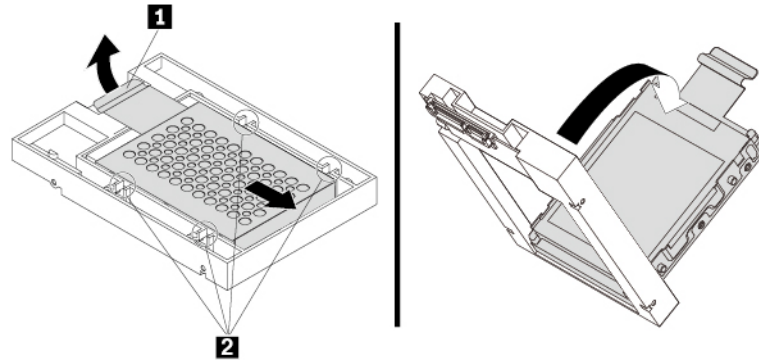


Figure 56. Removing the adapter from the converter

- c. Flex both sides of the adapter to release the four pins **1** from the storage drive. Then, remove the storage drive from the adapter.

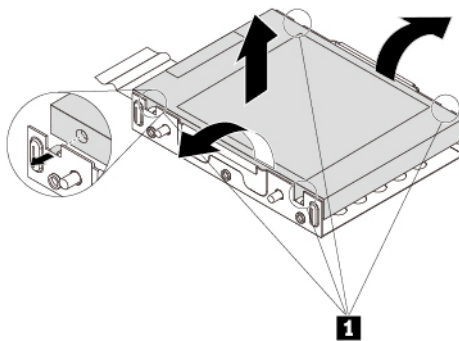


Figure 57. Removing the storage drive from the adapter

5. To install a new 2.5-inch storage drive, do the following:



- a. Note the orientation of the connector on the new storage drive. Then, flex both sides of the adapter and align the four pins **1** with the corresponding holes in the storage drive.

**Note:** Do not touch the circuit board (if accessible) of the 2.5-inch storage drive.

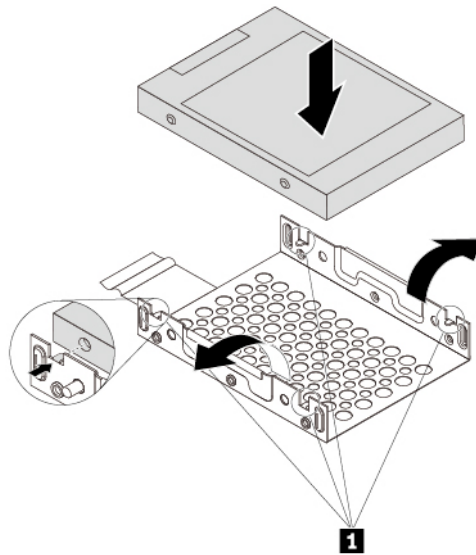


Figure 58. Installing the storage drive into the adapter

- b. Align the four tabs on the adapter with the corresponding notches **1** in the converter. Then, slide the storage drive as shown until the tab **2** snaps into position. The adapter with the storage drive is installed into the converter.

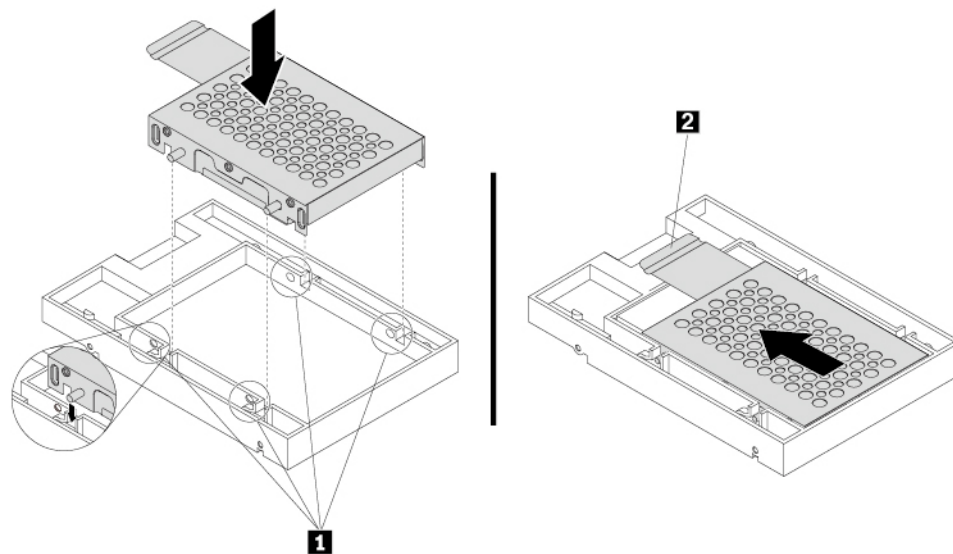
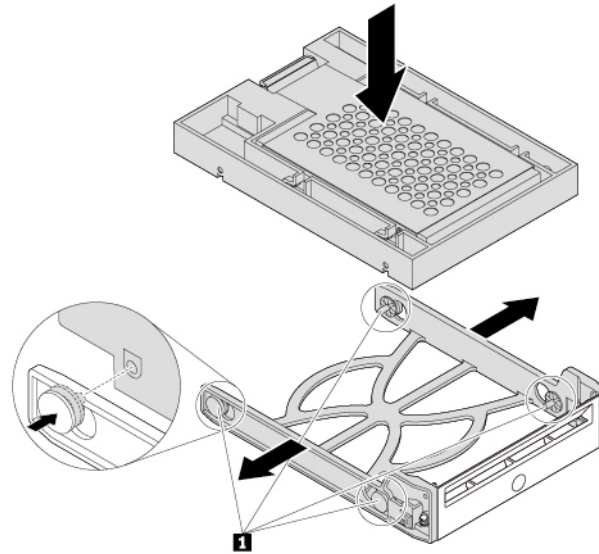


Figure 59. Installing the adapter into the converter

- c. Flex both sides of the plastic bracket and align pins **1** on the plastic bracket with the corresponding holes in the plastic frame of the converter.

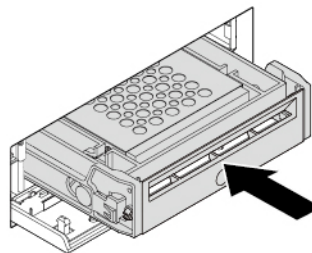
**Notes:**

- Ensure that the circuit board faces downward and the connectors face toward the rear of the bracket.
- Do not touch the circuit board on the storage drive.



*Figure 60. Installing the converter with the 2.5-inch storage drive into the plastic bracket*

- d. Slide the plastic bracket with the new 2.5-inch storage drive into the front-access storage enclosure until it snaps into position.



*Figure 61. Installing the plastic bracket with the 2.5-inch storage drive into the front-access storage enclosure*

- e. Press the notch to secure the enclosure cover and lock the enclosure cover with the key.

**What to do next:**

- To work with another piece of hardware, go to the appropriate section.
- To complete the installation or replacement, go to “Completing the parts replacement” on page 191.

## Device in the multi-drive conversion kit

**Attention:** Do not open your computer or attempt any repair before reading and understanding the Chapter 1 “Read this first: Important safety information” on page 1.

The multi-drive conversion kit (hereafter referred to as kit) might be equipped with either one or both of the following components:

- Slim optical drive
- Storage drive (such as hard disk drive, hybrid drive, or solid-state drive)

### Slim optical drive

**Note:** The instructions on how to remove or install a slim optical drive in the kit also apply to the slim-optical-drive adapter.

To remove or install a slim optical drive, do the following:

1. Prepare your computer. See “Preparing your computer and removing the computer cover” on page 95.
2. Ensure that all the cables are disconnected from the kit. Remove the kit from the front of the computer. See “Optical drive” on page 112.
3. To remove the slim optical drive from the kit, do the following:
  - a. Press the clip through the hole in the top of the kit as shown and push forward the slim optical drive. Then, remove the slim optical drive out of the kit.

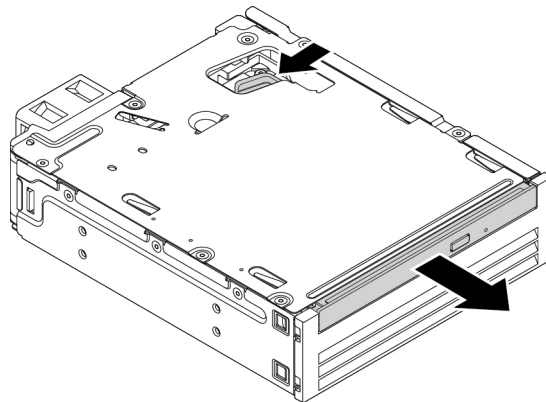


Figure 62. Removing the slim optical drive from the kit

- b. Detach the bracket as shown to remove it from the slim optical drive.

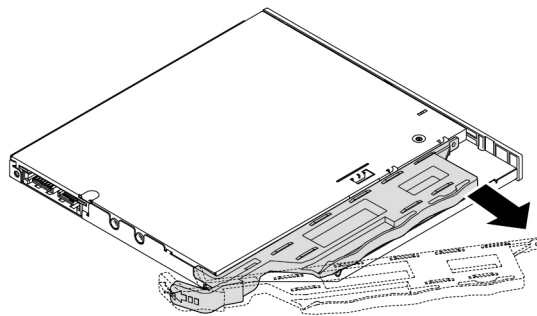


Figure 63. Removing the bracket from the slim optical drive

4. To install a new slim optical drive into the kit, do the following:

- a. Align the three tabs on the bracket with the corresponding holes in the new slim optical drive. Then, install the bracket to the new slim optical drive.

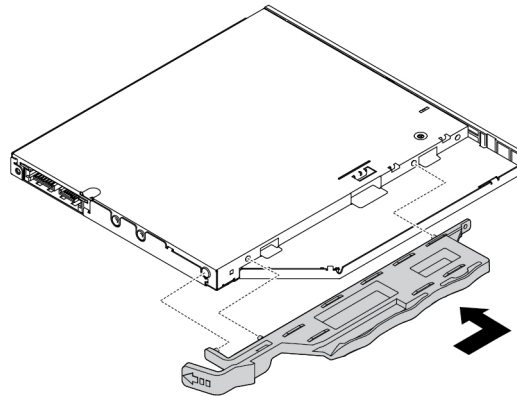


Figure 64. Installing the bracket to the new slim optical drive

- b. Insert the new slim optical drive into the kit until you hear a click. The slim optical drive is secured in place.

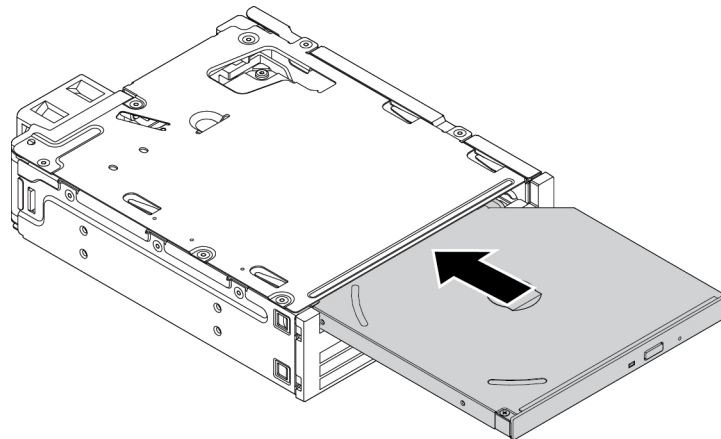


Figure 65. Installing the slim optical drive into the kit

5. Slide the kit into the flex bay and reconnect the cables.

**What to do next:**

- To work with another piece of hardware, go to the appropriate section.
- To complete the installation or replacement, go to “Completing the parts replacement” on page 191.

**3.5-inch storage drive**

To remove or install a 3.5-inch storage drive, do the following:

1. Prepare your computer. See “Preparing your computer and removing the computer cover” on page 95.
2. Ensure that all the cables are disconnected from the kit. Remove the kit from the front of the computer. See “Optical drive” on page 112.

3. Press the clip as shown to open the rear cover of the kit.

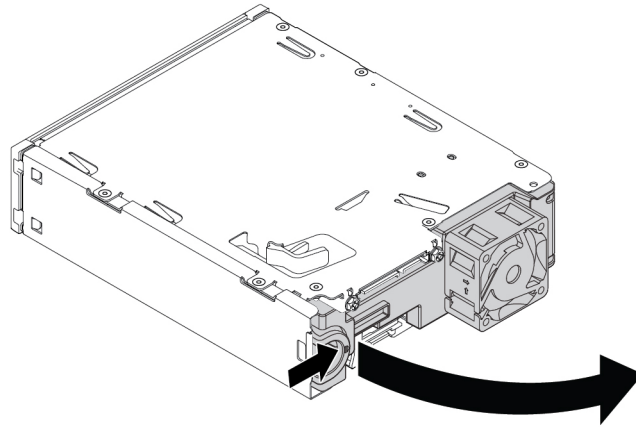


Figure 66. Opening the rear cover of the kit

4. Press both clips simultaneously toward each other and pull the conversion bracket out of the rear of the kit.

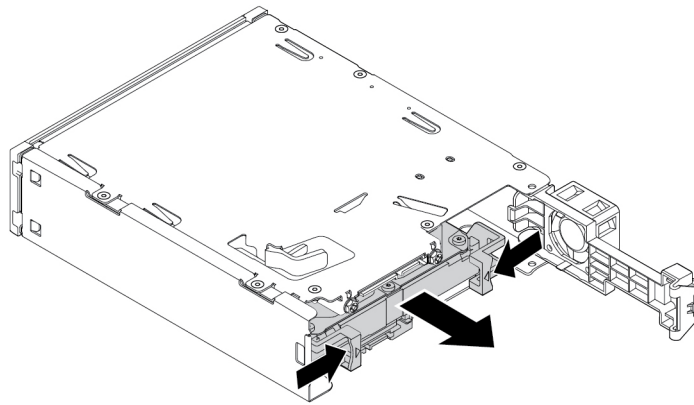


Figure 67. Removing the conversion bracket from the kit

5. To remove the 3.5-inch storage drive, flex both sides of the conversion bracket and then remove the drive out of the bracket. Do not touch the circuit board **1** on the drive.

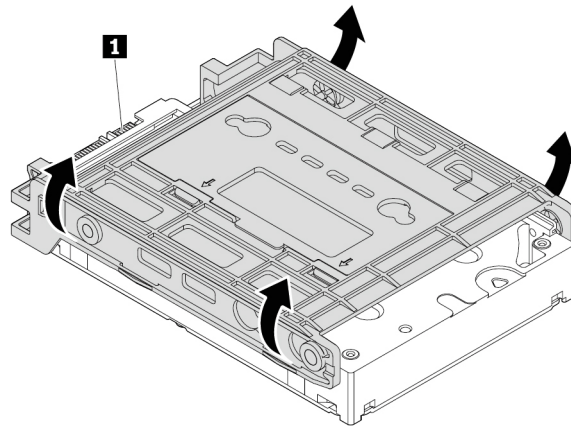


Figure 68. Removing the storage drive from the bracket

6. To install a 3.5-inch storage drive, ensure that the conversion bracket is unfolded. To unfold the bracket, do the following:
  - a. Remove pins **1** and install them into slots **2**.

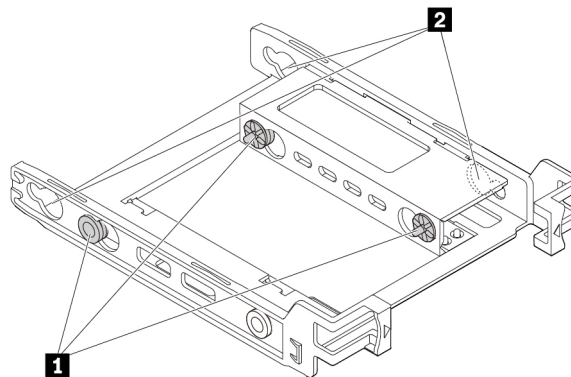


Figure 69. Removing pins and installing them into slots

- b. Release tabs **1**, **2**, and **3** from the corresponding slots.

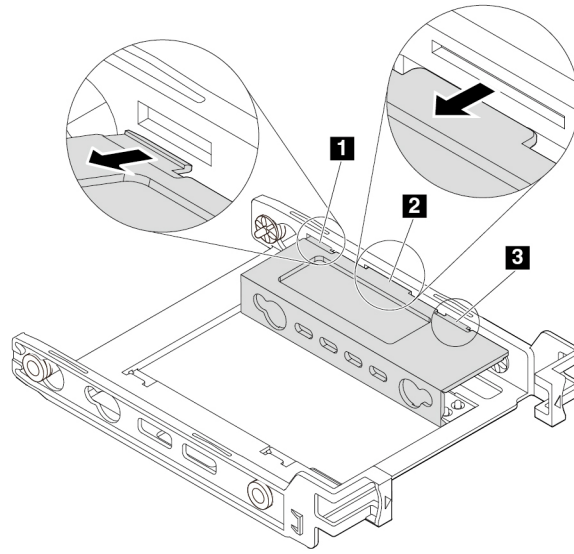


Figure 70. Releasing tabs from the corresponding slots

- c. Unfold the bracket as shown.

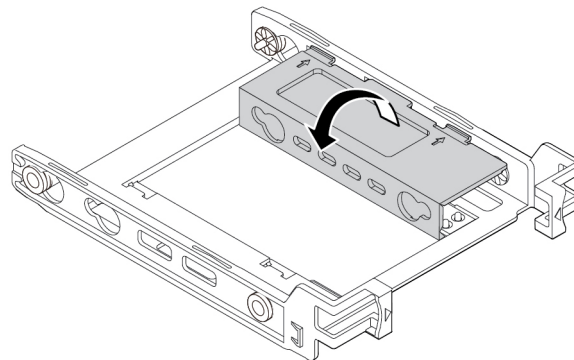


Figure 71. Unfolding the bracket

- d. Insert tabs **1**, **2**, and **3** into the corresponding slots. Ensure that the tabs are secured in place.

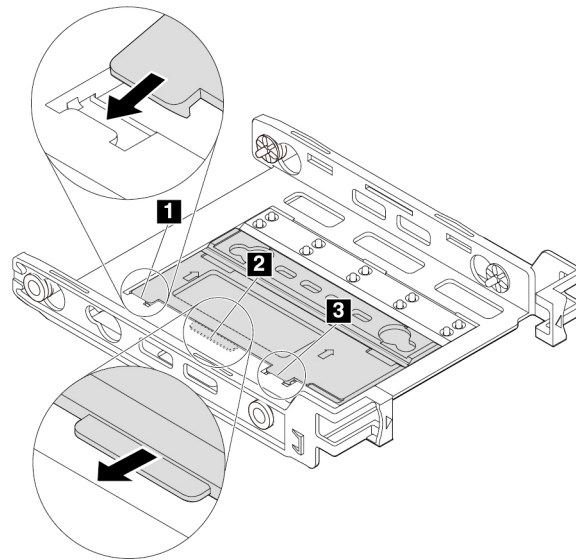


Figure 72. Inserting tabs into the corresponding slots

7. Install a 3.5-inch storage drive into the bracket by doing the following:
- Flex both sides of the bracket and align pins **1**, **2**, **3**, and **4** on the bracket with the corresponding holes in the new 3.5-inch storage drive.
  - Install the new 3.5-inch storage drive into the bracket. Do not touch the circuit board **5** on the drive.

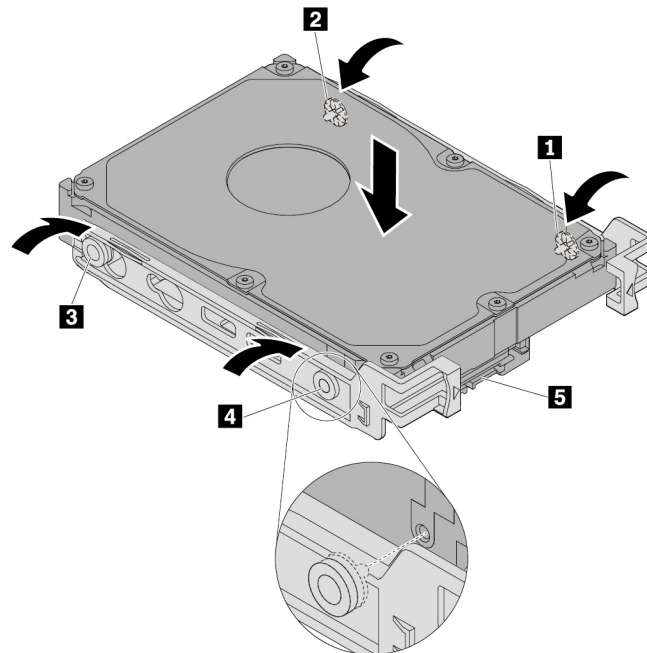


Figure 73. Installing the new 3.5-inch storage drive into the bracket



- c. Slide the new 3.5-inch storage drive with bracket into the kit from the rear until the drive snaps into position.

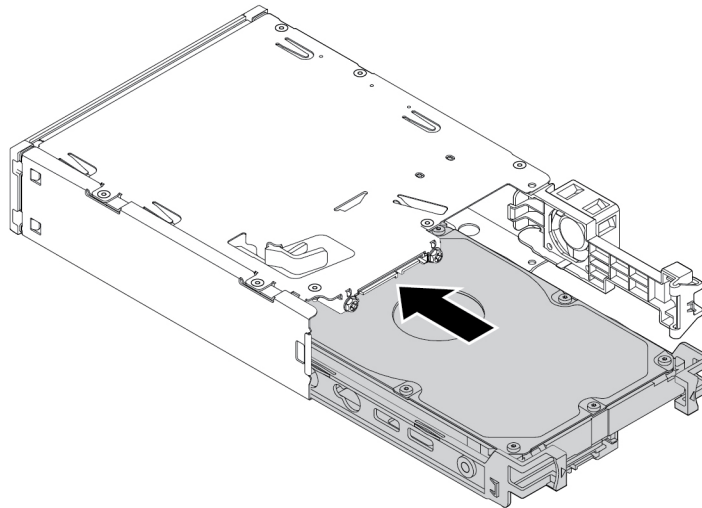


Figure 74. Installing the new 3.5-inch storage drive with bracket into the kit

8. Pivot the rear cover of the kit inward until you hear a click. Ensure that the rear cover is secured in place.

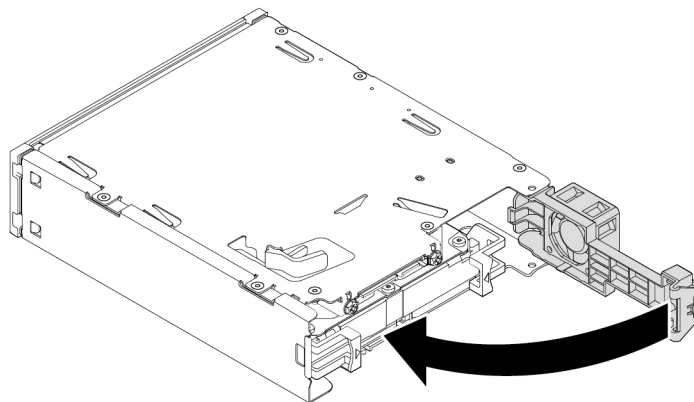


Figure 75. Pivoting the rear cover inward

9. Slide the kit into the flex bay and reconnect the cables.

**What to do next:**

- To work with another piece of hardware, go to the appropriate section.
- To complete the installation or replacement, go to “Completing the parts replacement” on page 191.

**2.5-inch storage drive**

To remove or install a 2.5-inch storage drive, do the following:

1. Prepare your computer. See “Preparing your computer and removing the computer cover” on page 95.
2. Ensure that all the cables are disconnected from the kit. Remove the kit from the front of the computer. See “Optical drive” on page 112.

3. Press the clip as shown to open the rear cover of the kit.

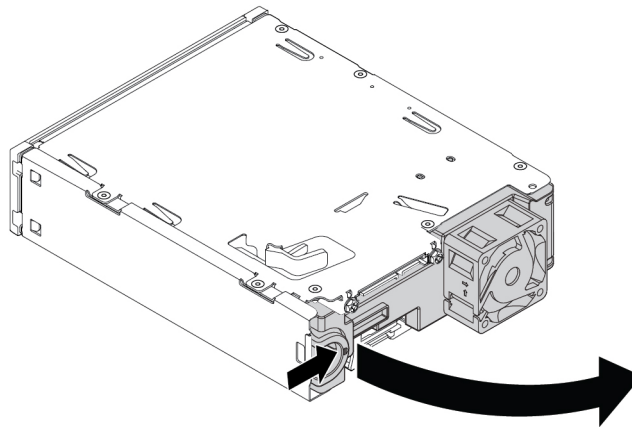


Figure 76. Opening the rear cover of the kit

4. Press both clips simultaneously toward each other and pull the conversion bracket out of the rear of the kit.

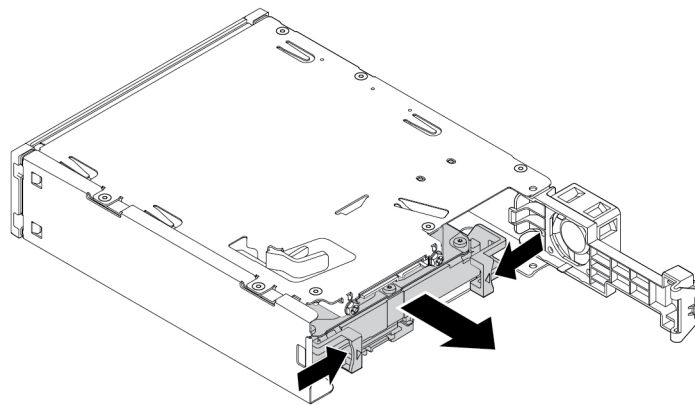


Figure 77. Removing the 2.5-inch storage drive from the kit

5. To remove the 2.5-inch storage drive, flex both sides of the conversion bracket and then remove the drive out of the bracket. Do not touch the circuit board on the drive.

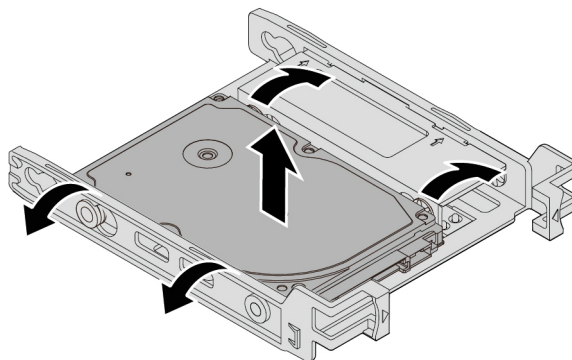


Figure 78. Removing the 2.5-inch storage drive from the bracket

6. To install a 2.5-inch storage drive, ensure that the conversion bracket is folded. To fold the bracket, do the following:
- Remove pins **1** and install them into slots **2**.

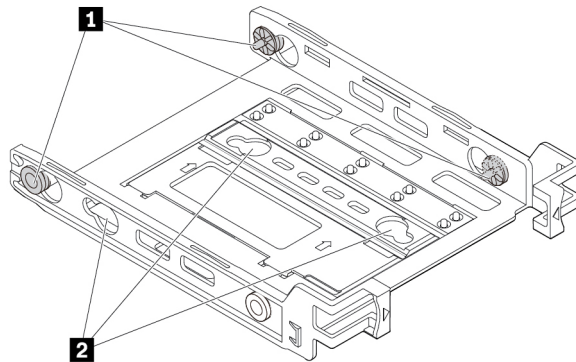


Figure 79. Removing pins and installing them into new slots

- Pivot the bracket as shown to release tabs **1**, **2**, and **3** from the slots.

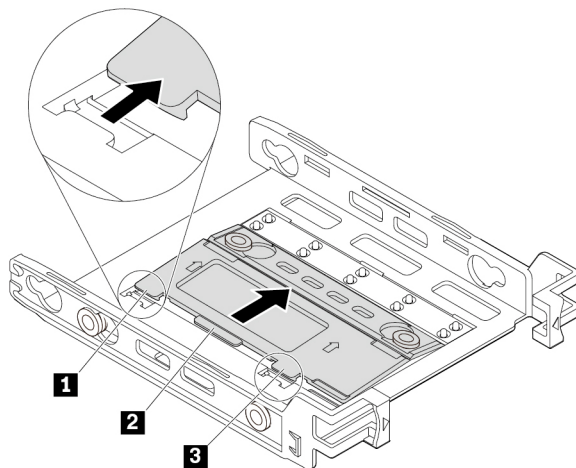


Figure 80. Pivoting the bracket

- Fold the bracket as shown.

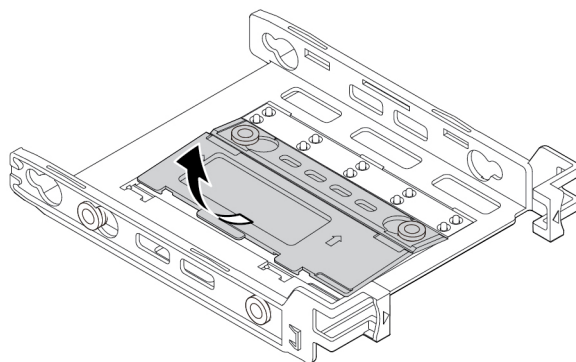


Figure 81. Folding the bracket

- d. Insert tabs **1**, **2**, and **3** into the corresponding slots. Ensure that the tabs are secured in place.

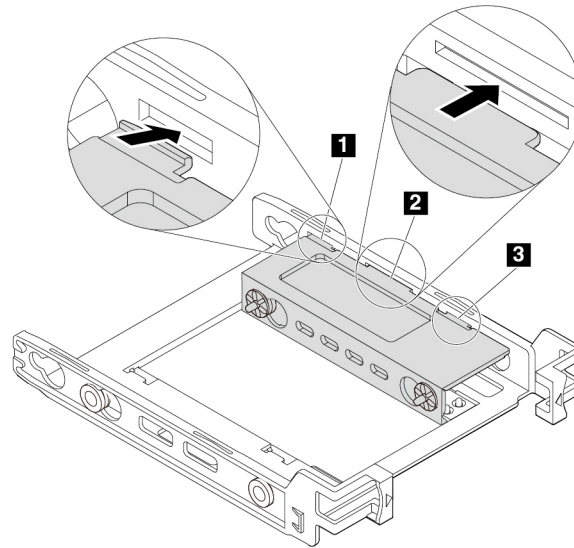


Figure 82. Inserting the tabs into the corresponding slots

7. To install a 2.5-inch storage drive, do the following:
- Flex the bracket and align pins **1**, **2**, **3**, and **4** on the bracket with the corresponding holes in the new 2.5-inch storage drive.
  - Install the new 2.5-inch storage drive into the bracket. Do not touch the circuit board **5** on the drive.

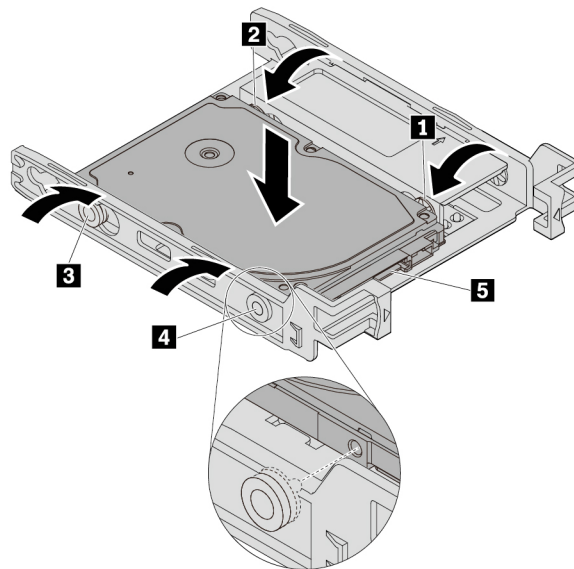


Figure 83. Installing the new 2.5-inch storage drive into the bracket

- c. Slide the new 2.5-inch storage drive with bracket into the kit from the rear until the drive snaps into position.

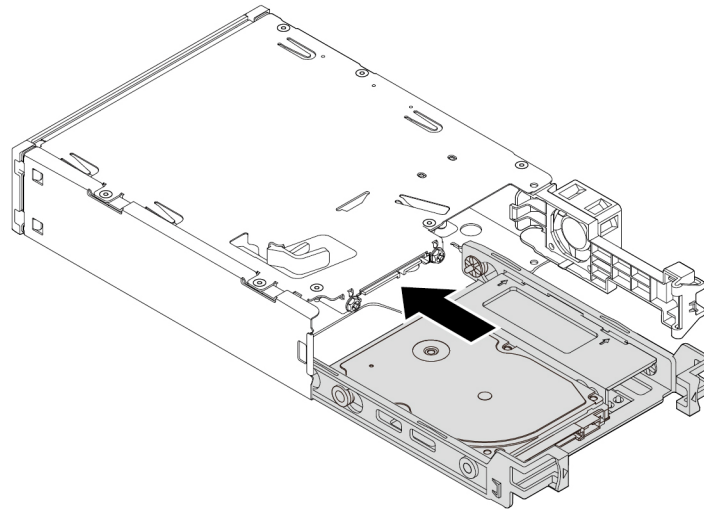


Figure 84. Installing the new 2.5-inch storage drive with bracket into the kit

8. Pivot the rear cover of the kit inward until you hear a click. Ensure that the rear cover is secured in place.

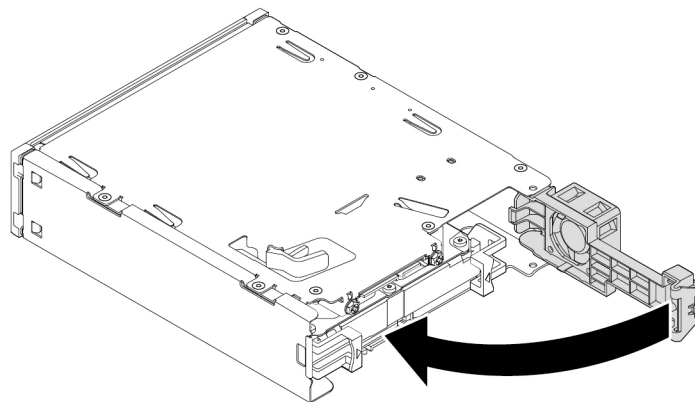


Figure 85. Pivoting the rear cover inward

9. Slide the kit into the flex bay and reconnect the cables.

**What to do next:**

- To work with another piece of hardware, go to the appropriate section.
- To complete the installation or replacement, go to “Completing the parts replacement” on page 191.

## Coin-cell battery

**Attention:** Do not open your computer or attempt any repair before reading and understanding the Chapter 1 “Read this first: Important safety information” on page 1.

Your computer has a special type of memory that maintains the date, time, and settings for built-in features, such as parallel-connector assignments (configuration). A coin-cell battery keeps this information active when you turn off the computer.

The coin-cell battery normally requires no charging or maintenance throughout its life; however, no battery lasts forever. If the coin-cell battery fails, the date and time information is lost.

Refer to the “Lithium coin-cell battery notice” in the *Safety, Warranty, and Setup Guide* for information about disposing of the coin-cell battery.

To remove and install the coin-cell battery, do the following:

1. Prepare your computer. See “Preparing your computer and removing the computer cover” on page 95.
2. Locate the coin-cell battery. See “Parts on the system board” on page 39.
3. Remove any PCIe cards that might prevent your access to the coin-cell battery. See “PCIe card” on page 98.
4. Remove the old coin-cell battery as shown.

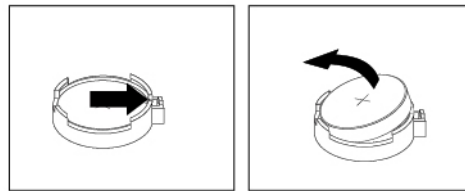


Figure 86. Removing the coin-cell battery

5. Install the new coin-cell battery as shown.

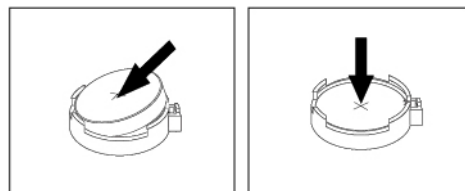


Figure 87. Installing the coin-cell battery

6. Reinstall the PCIe cards if you have removed them. See “PCIe card” on page 98.
7. Reinstall the computer cover and reconnect the cables. See “Completing the parts replacement” on page 191.

**Note:** When the computer is turned on for the first time after the coin-cell battery is replaced, an error message might be displayed. This is normal after the coin-cell battery is replaced.

8. Turn on the computer and all attached devices.
9. Use the Setup Utility program to set the date and time. See “Using the Setup Utility program” on page 63.

## Cover presence switch

**Attention:** Do not open your computer or attempt any repair before reading and understanding the Chapter 1 “Read this first: Important safety information” on page 1.

To remove or install the cover presence switch, do the following:

1. Prepare your computer. See “Preparing your computer and removing the computer cover” on page 95.
2. Locate the cover presence switch. See “Computer components” on page 33.
3. To remove the cover presence switch, do the following:

- a. Disconnect the cover presence switch cable from the cover presence switch connector on the system board. See “Parts on the system board” on page 39.
- b. Remove the screw that secures the cover presence switch and remove the cover presence switch from the chassis.

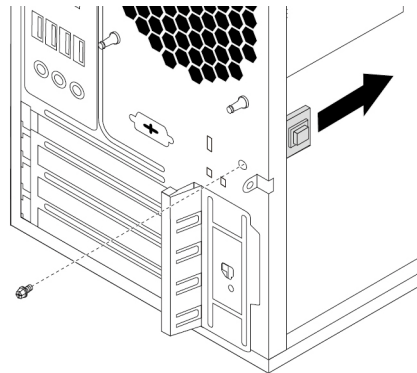


Figure 88. Removing the cover presence switch

4. To install the cover presence switch, do the following:
  - a. Align the screw hole in the cover presence switch with the corresponding hole in the chassis. Then install the screw to secure the cover presence switch to the chassis.

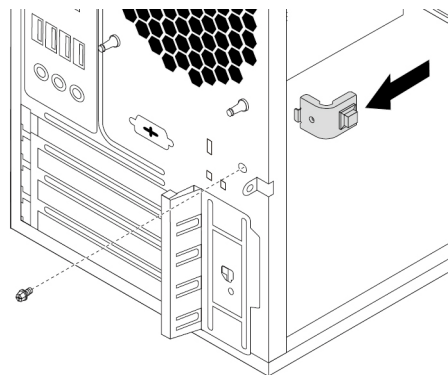


Figure 89. Installing the cover presence switch

- b. Connect the cover presence switch cable to the cover presence switch connector on the system board. See “Parts on the system board” on page 39.

**What to do next:**

- To work with another piece of hardware, go to the appropriate section.
- To complete the installation or replacement, go to “Completing the parts replacement” on page 191.

## Power supply assembly

**Attention:** Do not open your computer or attempt any repair before reading and understanding the Chapter 1 “Read this first: Important safety information” on page 1.

Although there are no moving parts in your computer after the power cord has been disconnected, the following warnings are required for your safety and proper Underwriters Laboratories (UL) certification.

**CAUTION:**



Keep fingers and other parts of your body away from hazardous, moving parts. If you suffer an injury, seek medical care immediately.



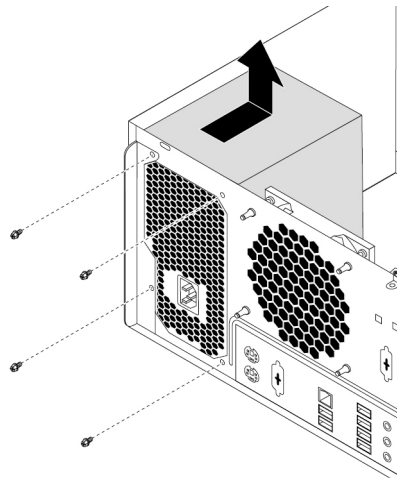
**DANGER**



**Disconnect all power cords from electrical outlets before removing the computer cover or any part that has the above label attached.**

To remove and install the power supply assembly, do the following:

1. Prepare your computer. See “Preparing your computer and removing the computer cover” on page 95.
2. To remove the power supply assembly, do the following:
  - a. Disconnect the power supply assembly cables from the system board and all drives. See “Parts on the system board” on page 39.
  - b. Release the power supply assembly cables from the cable clips and ties.
  - c. Lay the computer on its side and remove the four screws at the rear of the chassis that secure the power supply assembly. Then slide the power supply assembly to the front of the computer and then lift it out of the chassis.



*Figure 90. Removing the screws for the power supply assembly*

3. To install the power supply assembly, do the following:
  - a. Ensure that the new power supply assembly is the correct replacement.
  - b. Install the new power supply assembly into the chassis so that the screw holes in the power supply assembly align with those in the chassis.
  - c. Install and tighten the four screws to secure the power supply assembly.

**Note:** Use only screws provided by Lenovo.
  - d. Connect the power supply assembly cables to the system board and each of the drives.
  - e. Secure the power supply assembly cables with the cable clips and ties in the chassis.



**What to do next:**

- To work with another piece of hardware, go to the appropriate section.
- To complete the installation or replacement, go to “Completing the parts replacement” on page 191.

## Heat-sink-and-fan assembly

**Attention:** Do not open your computer or attempt any repair before reading and understanding the Chapter 1 “Read this first: Important safety information” on page 1.

**CAUTION:**

**Avoid contact with hot components inside the computer. During operation, some components become hot enough to burn the skin. Before you open the computer cover, turn off the computer, disconnect power, and wait approximately 10 minutes for the components to cool.**

To remove or install the heat-sink-and-fan assembly, do the following:

1. Prepare your computer. See “Preparing your computer and removing the computer cover” on page 95.
2. Lay the computer on its side for easier access to the system board.
3. Locate the heat-sink-and-fan assembly. See “Parts on the system board” on page 39.
4. To remove the heat-sink-and-fan assembly, do the following:
  - a. Disconnect the heat-sink-and-fan assembly cable from the microprocessor fan connector on the system board. See “Parts on the system board” on page 39.

- b. Follow the following sequence to remove the four screws that secure the heat-sink-and-fan assembly to the system board:

- Partially remove screw **a**, then fully remove screw **b**, and then fully remove screw **a**.
- Partially remove screw **c**, then fully remove screw **d**, and then fully remove screw **c**.

**Note:** Carefully remove the four screws to avoid any possible damage to the system board. The four screws cannot be removed from the heat-sink-and-fan assembly.

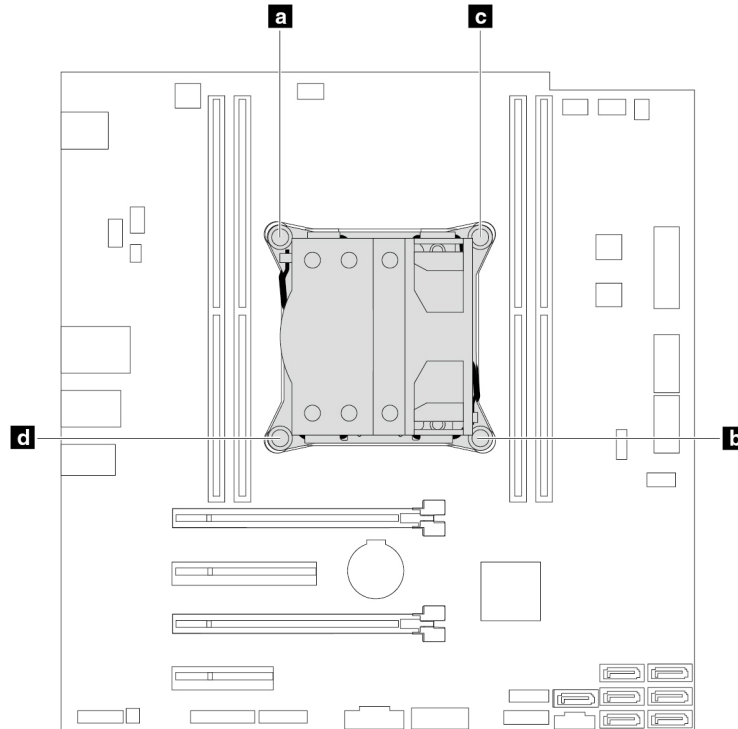


Figure 91. Removing the heat-sink-and-fan assembly

- c. Lift the failing heat-sink-and-fan assembly off the system board.

**Notes:**

- You might have to gently twist the heat-sink-and-fan assembly to free it from the microprocessor.
- Do not touch the thermal grease while handling the heat-sink-and-fan assembly.

5. To install the heat-sink-and-fan assembly, do the following:

- a. Apply appropriate amount of thermal grease to the new heat-sink-and-fan assembly.
- b. Position the heat-sink-and-fan assembly on the system board. Ensure that the four screws are aligned with the holes in the system board.

**Note:** Ensure that the heat-sink-and-fan assembly cable is toward the microprocessor fan connector on the system board.

- c. Follow the following sequence to install the four screws to secure the new heat-sink-and-fan assembly. Do not over-tighten the screws.

- Partially tighten screw **a**, then fully tighten screw **b**, and then fully tighten screw **a**.
- Partially tighten screw **c**, then fully tighten screw **d**, and then fully tighten screw **c**.

- d. Connect the heat-sink-and-fan assembly cable to the microprocessor fan connector on the system board. See “Parts on the system board” on page 39.

**What to do next:**

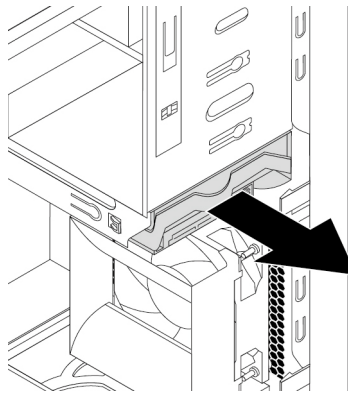
- To work with another piece of hardware, go to the appropriate section.
- To complete the installation or replacement, go to “Completing the parts replacement” on page 191.

## Primary storage drive

**Attention:** Do not open your computer or attempt any repair before reading and understanding the Chapter 1 “Read this first: Important safety information” on page 1.

To remove or install the primary storage drive, do the following:

1. Prepare your computer. See “Preparing your computer and removing the computer cover” on page 95.
2. Locate the primary storage drive. See “Computer components” on page 33.
3. To remove the primary storage drive, do the following:
  - a. Disconnect the signal cable and the power cable from the storage drive.
  - b. Pull the handle of the plastic 3.5-inch storage-drive bracket to remove the storage drive from the storage drive bay.



*Figure 92. Removing the primary storage drive*

- c. Flex the sides of the bracket to remove the storage drive from the bracket.
4. To install the primary storage drive, do the following:
  - a. Pull the handle of the plastic 3.5-inch storage-drive bracket to remove it from the storage drive bay.

- b. To install a new storage drive into the bracket, flex the bracket and align pin **1**, pin **2**, pin **3**, and pin **4** on the bracket with the corresponding holes in the storage drive. Do not touch the circuit board **5** on the bottom of the storage drive.

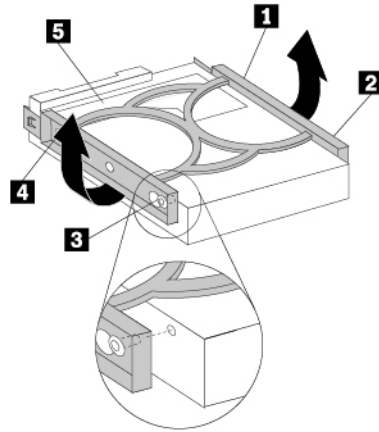


Figure 93. Installing the storage drive into the bracket

- c. Slide the new storage drive into the storage drive bay until it snaps into position.

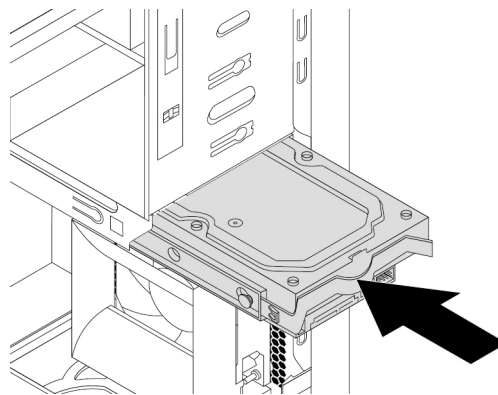


Figure 94. Installing the primary storage drive

- d. Connect the signal cable and the power cable to the new storage drive.

**What to do next:**

- To work with another piece of hardware, go to the appropriate section.
- To complete the installation or replacement, go to “Completing the parts replacement” on page 191.

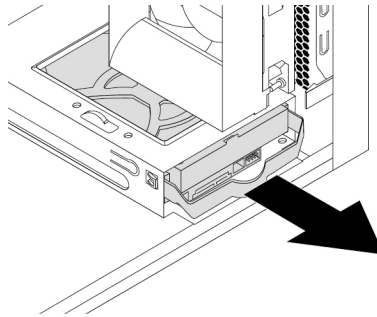
## Secondary storage drive

**Attention:** Do not open your computer or attempt any repair before reading and understanding the Chapter 1 “Read this first: Important safety information” on page 1.

**Note:** Your computer comes with a secondary storage drive bay for installing or replacing a secondary 3.5-inch storage drive or a 2.5-inch storage drive.

To remove or install the secondary storage drive, do the following:

1. Prepare your computer. See “Preparing your computer and removing the computer cover” on page 95.
2. Locate the secondary storage drive. See “Computer components” on page 33.
3. To remove the secondary storage drive, do the following:
  - a. Disconnect the signal cable and the power cable from the storage drive.
  - b. Pull the handle of the plastic 3.5-inch storage-drive bracket to remove the storage drive from the storage drive bay.



*Figure 95. Removing the secondary storage drive*

- c. Flex the sides of the bracket to remove the storage drive from the bracket.
4. To install the secondary storage drive, do the following:
  - a. Pull the handle of the plastic 3.5-inch storage-drive bracket to remove it from the storage drive bay.

- b. To install a new storage drive into the bracket, flex the bracket and align pin **1**, pin **2**, pin **3**, and pin **4** on the bracket with the corresponding holes in the storage drive. Do not touch the circuit board **5** on the bottom of the storage drive.

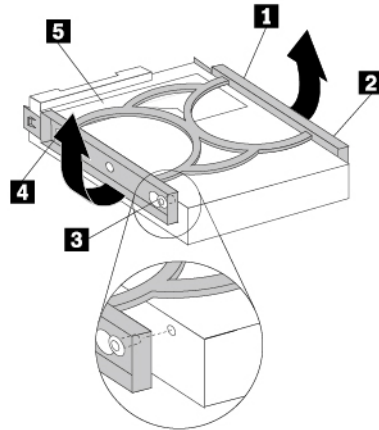


Figure 96. Installing the storage drive into the bracket

- c. Slide the new storage drive into the storage drive bay until it snaps into position.

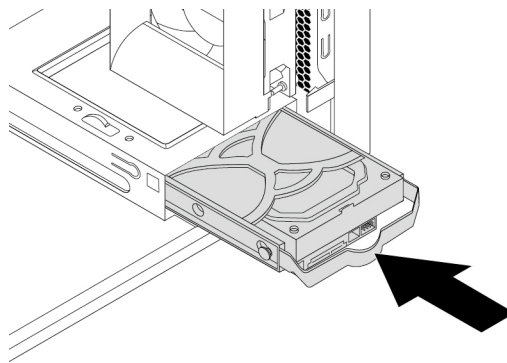


Figure 97. Installing the secondary storage drive

- d. Connect the signal cable and the power cable to the new storage drive.

**What to do next:**

- To work with another piece of hardware, go to the appropriate section.
- To complete the installation or replacement, go to “Completing the parts replacement” on page 191.

## 2.5-inch storage drive

**Attention:** Do not open your computer or attempt any repair before reading and understanding the Chapter 1 “Read this first: Important safety information” on page 1.

The 2.5-inch storage drive is only available on some models.

To remove or install a 2.5-inch storage drive, do the following:

1. Prepare your computer. See “Preparing your computer and removing the computer cover” on page 95.
2. Locate the desired storage drive bay. See “Internal storage drives” on page 41.
3. To remove a 2.5-inch storage drive, do the following:
  - a. Disconnect the signal cable and power cable from the storage drive.
  - b. Remove the plastic 3.5-inch storage-drive bracket with the 2.5-inch storage drive from the storage drive bay. See “Primary storage drive” on page 139 or “Secondary storage drive” on page 141.
  - c. Flex the sides of the bracket to remove the 2.5-inch to 3.5-inch storage-drive converter from the bracket.

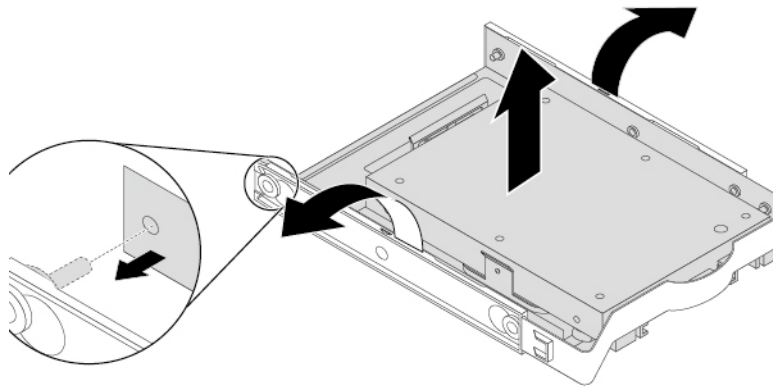
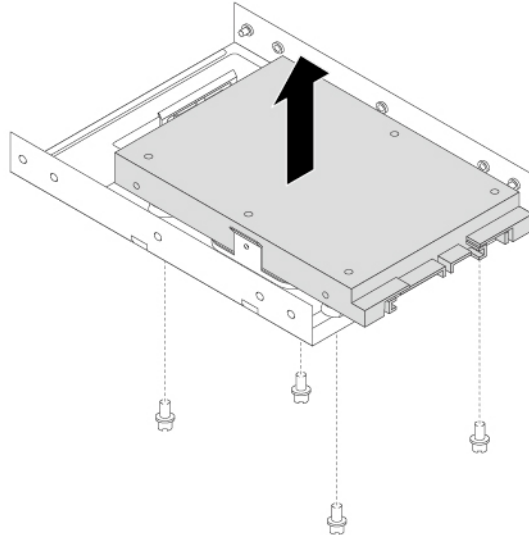


Figure 98. Removing the 2.5-inch to 3.5-inch storage-drive converter from the 3.5-inch storage-drive bracket

- d. Remove the four screws that secure the 2.5-inch storage drive. Then lift the storage drive out of the storage-drive converter.



*Figure 99. Removing the 2.5-inch storage drive from the storage-drive converter*

4. To install a 2.5-inch storage drive, do the following:
  - a. Remove the plastic 3.5-inch storage-drive bracket from the storage drive bay. See “Primary storage drive” on page 139 or “Secondary storage drive” on page 141.
  - b. Flex the sides of the bracket to remove the 2.5-inch to 3.5-inch storage-drive converter from the bracket.



- c. Install a new 2.5-inch storage drive into the storage-drive converter. Then install the four screws to secure the new storage drive to the storage-drive converter.

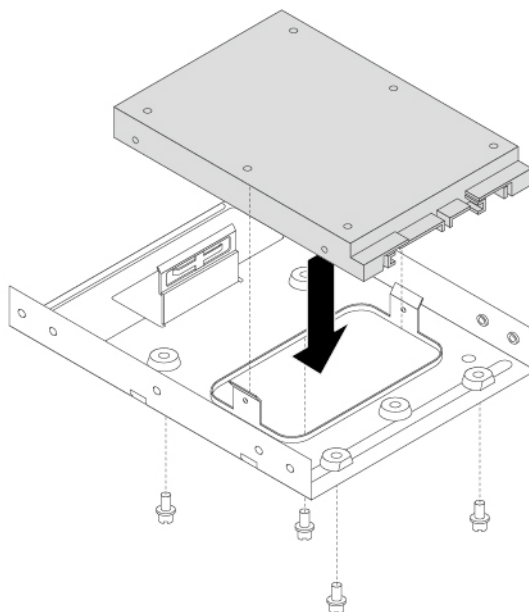


Figure 100. Installing a new 2.5-inch storage drive into the storage-drive converter

- d. To install the storage-drive converter into the 3.5-inch storage-drive bracket, flex the bracket and align pin **1**, pin **2**, pin **3**, and pin **4** on the bracket with the corresponding holes in the converter.

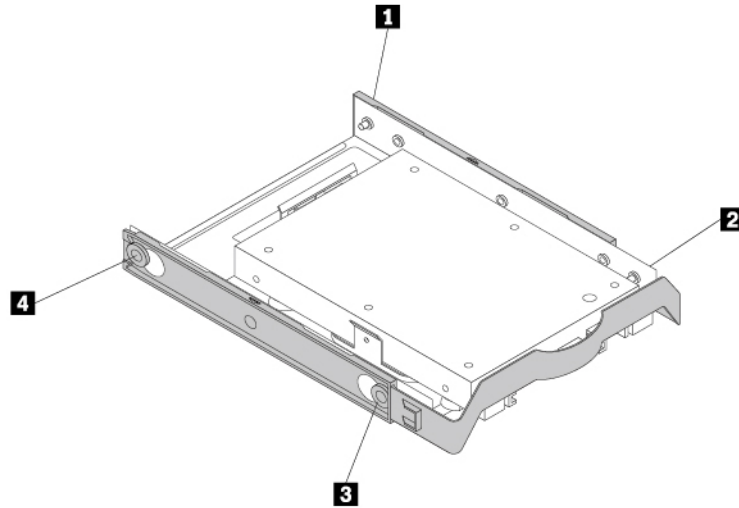


Figure 101. Installing the storage-drive converter together with the 2.5-inch storage drive into the storage-drive bracket

- e. Install the storage-drive converter with the bracket into the desired storage drive bay. See “Primary storage drive” on page 139 or “Secondary storage drive” on page 141.
- f. Connect the signal cable and the power cable to the storage drive.

**What to do next:**

- To work with another piece of hardware, go to the appropriate section.
- To complete the installation or replacement, go to “Completing the parts replacement” on page 191.

## Front fan assembly

**Attention:** Do not open your computer or attempt any repair before reading and understanding the Chapter 1 “Read this first: Important safety information” on page 1.

**Note:** The front fan assembly is only available on some models.

To remove or install the front fan assembly, do the following:

1. Prepare your computer. See “Preparing your computer and removing the computer cover” on page 95.
2. Remove the front bezel. See “Front bezel” on page 97.
3. Locate the front fan assembly. See “Computer components” on page 33.
4. To remove the front fan assembly, do the following:

- a. Disconnect the front-fan assembly cable from the power fan connector on the system board. See “Parts on the system board” on page 39.
- b. The front fan assembly is attached to the chassis by four rubber mounts. Break or cut the rubber mounts and gently pull the front fan assembly out of the chassis.

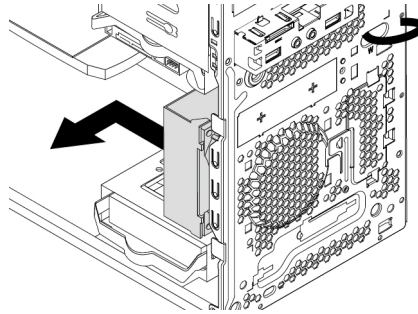


Figure 102. Removing the front fan assembly

5. To install the front fan assembly, do the following:
  - a. Align the new rubber mounts of the new front fan assembly with the corresponding holes in the chassis. Push the rubber mounts through the holes.
  - b. Pull the tips of the rubber mounts until the front fan assembly is secured in place.

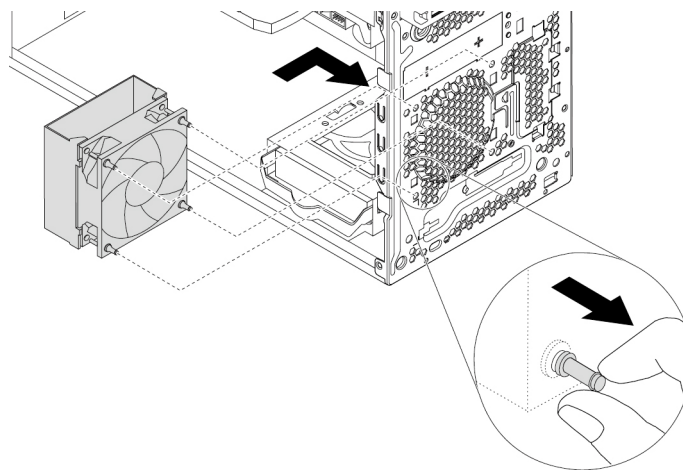


Figure 103. Installing the front fan assembly

- c. Connect the front-fan assembly cable to the front-fan connector on the system board. See “Parts on the system board” on page 39.

#### What to do next:

- To work with another piece of hardware, go to the appropriate section.
- To complete the installation or replacement, go to “Completing the parts replacement” on page 191.

## Rear fan assembly

**Attention:** Do not open your computer or attempt any repair before reading and understanding the Chapter 1 “Read this first: Important safety information” on page 1.

To remove or install the rear fan assembly, do the following:

1. Prepare your computer. See “Preparing your computer and removing the computer cover” on page 95.
2. Locate the rear fan assembly. See “Computer components” on page 33.
3. To remove the rear fan assembly, do the following:
  - a. Disconnect the rear-fan assembly cable from the system fan connector on the system board. See “Parts on the system board” on page 39.
  - b. The rear fan assembly is attached to the chassis by four rubber mounts. Break or cut the rubber mounts and gently pull the rear fan assembly out of the chassis.

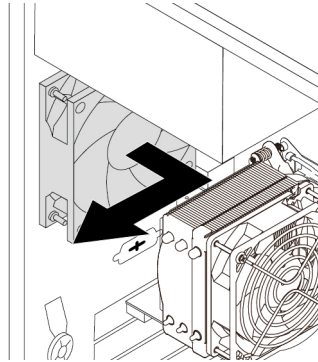


Figure 104. Removing the rear fan assembly

4. To install the rear fan assembly, do the following:
  - a. Align the new rubber mounts of the new rear fan assembly with the corresponding holes in the chassis. Push the rubber mounts through the holes.
  - b. Pull the tips of the rubber mounts until the rear fan assembly is secured in place.

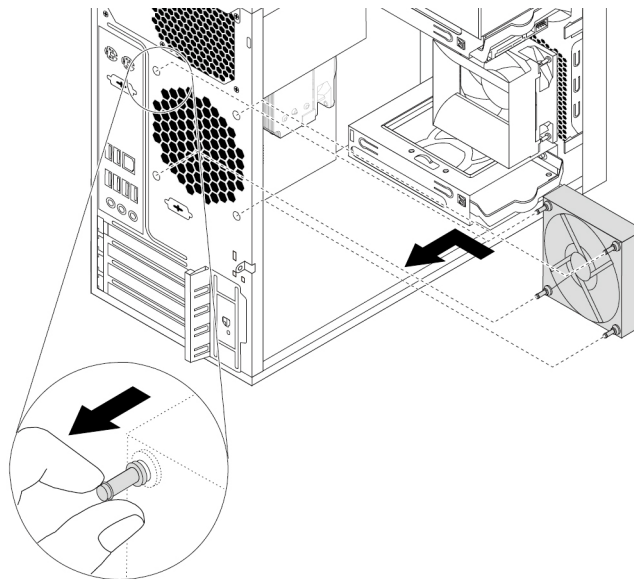


Figure 105. Installing the rear fan assembly

- c. Connect the rear-fan assembly cable to the rear-fan connector on the system board. See “Parts on the system board” on page 39.

**What to do next:**

- To work with another piece of hardware, go to the appropriate section.
- To complete the installation or replacement, go to “Completing the parts replacement” on page 191.

**Device in the 5.25-inch flex module**

**Attention:** Do not open your computer or attempt any repair before reading and understanding the Chapter 1 “Read this first: Important safety information” on page 1.

This section provides instructions on how to install or replace a device in the 5.25-inch flex module. Installing and replacing a device in the 5.25-inch flex module involves the following operations:

- “Slim optical drive” on page 149
- “Card reader” on page 176
- “eSATA connector, IEEE 1394 connector, or USB-C connector” on page 154
- “Front Thunderbolt adapter kit” on page 156
- “Four-digit diagnostics display” on page 160

**Slim optical drive**

To remove or install a slim optical drive in the flex module, do the following:

1. Prepare your computer. See “Preparing your computer and removing the computer cover” on page 95.
2. Record the cable connections and cable routing. Then, disconnect all cables connected to the flex module from the system board. See “Parts on the system board” on page 39.
3. Remove the flex module from the front of the computer. See “Optical drive” on page 112.
4. Lift the clip on the rear of the flex module. Then, slide the flex module cover to the rear of the flex module to remove the cover.

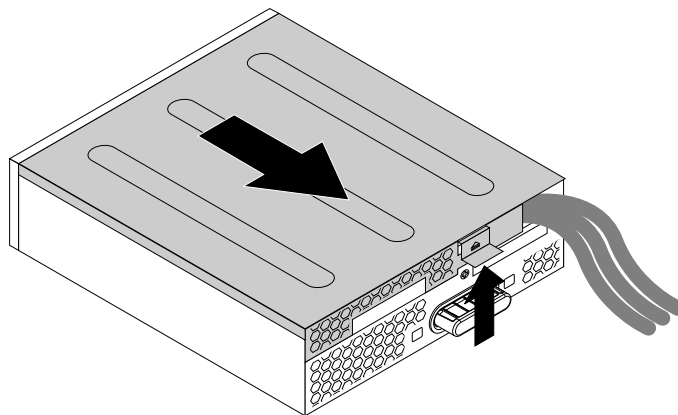


Figure 106. Removing the flex module cover

5. To remove a slim optical drive, do the following:
  - a. Press the button as shown to remove the slim optical drive from the flex module.

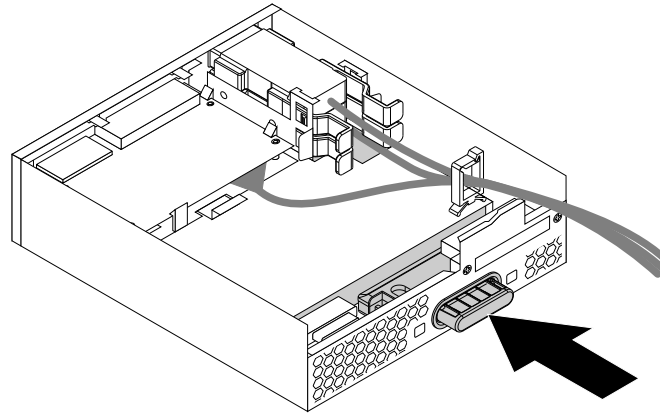


Figure 107. Removing the slim optical drive from the flex module

- b. Remove the two screws that secure the clip to remove the plastic clip from the rear of the slim optical drive.

**Note:** The plastic clip and the two screws need to be reused to install a new slim optical drive.

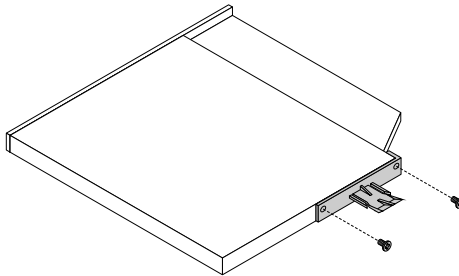


Figure 108. Removing the plastic clip from the slim optical drive

6. To install a slim optical drive, do the following:
  - a. If no slim optical drive has been installed in the flex module before, press the two metal clips **1** to remove the plastic clip with the two screws as shown. Remove the two screws.

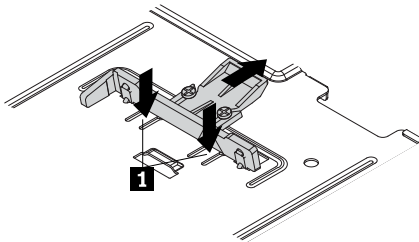


Figure 109. Removing the plastic clip with the two screws

- b. Install the two screws to secure the plastic clip on the rear of the new slim optical drive.

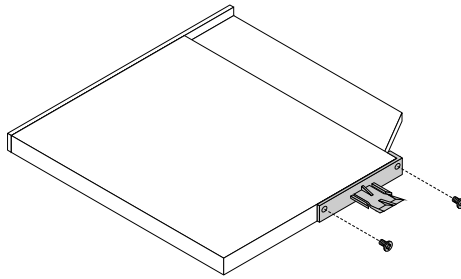


Figure 110. Installing the plastic clip to the slim optical drive

- c. Slide the new slim optical drive with the plastic clip into the flex module until the slim optical drive snaps into position.

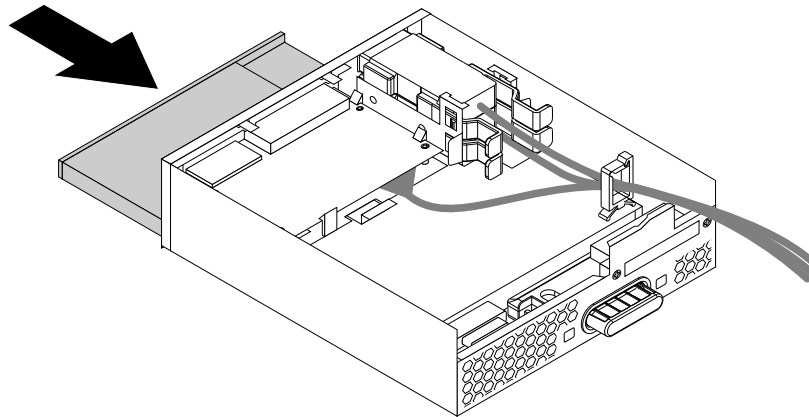


Figure 111. Installing the slim optical drive in the flex module

7. Position the flex module cover on the flex module. Ensure that the rail guides on the bottom of the flex module cover engage the rails on the flex module. Then, push the cover to the front of the flex module until it snaps into position.

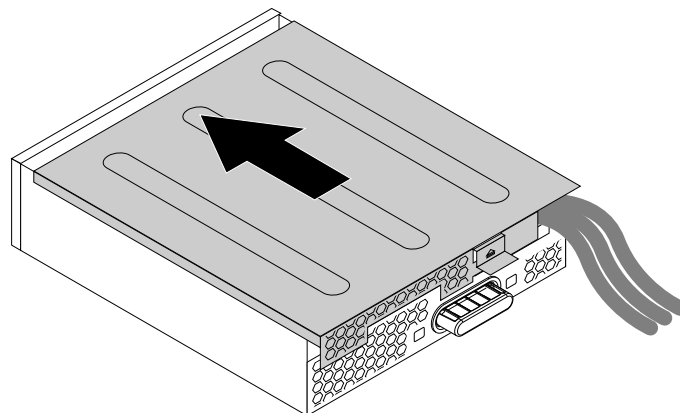


Figure 112. Reinstalling the flex module cover

8. Install the flex module into the flex bay. See “Optical drive” on page 112.

9. Refer to the recorded information about the cable connections and routing. Reconnect all cables connected to the flex module to the system board. See “Parts on the system board” on page 39.

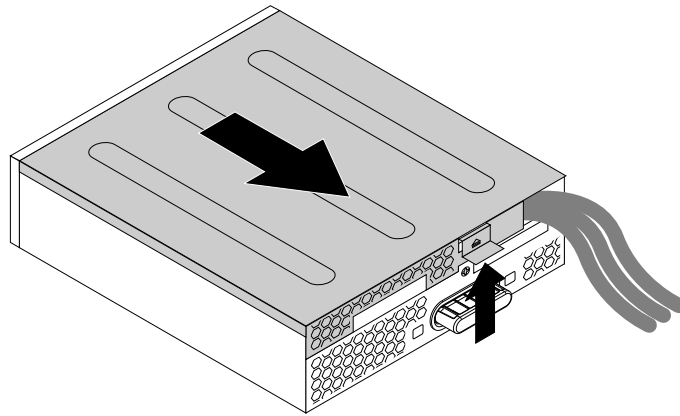
**What to do next:**

- To work with another piece of hardware, go to the appropriate section.
- To complete the installation or replacement, go to “Completing the parts replacement” on page 191.

**Card reader**

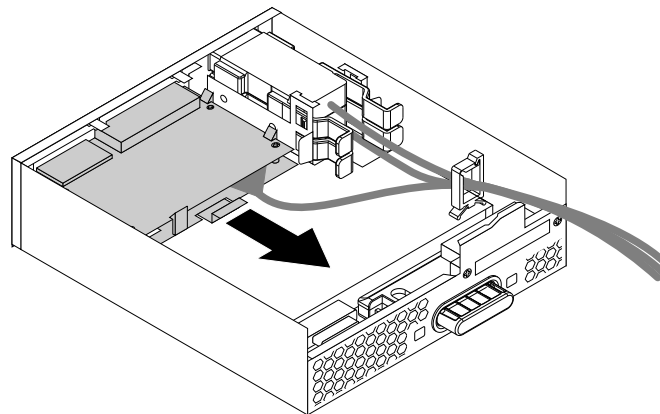
To remove or install a card reader in the flex module, do the following:

1. Prepare your computer. See “Preparing your computer and removing the computer cover” on page 95.
2. Record the cable connections and cable routing. Then, disconnect all cables connected to the flex module from the system board. See “Parts on the system board” on page 39.
3. Remove the flex module from the front of the computer. See “Optical drive” on page 112.
4. Lift the clip on the side of the flex module upward. Then, slide the flex module cover to the rear of the flex module to remove the cover.



*Figure 113. Removing the flex module cover*

5. If you are removing a card reader, do the following:
  - a. Pull the clip as shown to remove the card reader with the card reader retaining bracket out of the flex module.



*Figure 114. Removing the card reader in the flex module*



- b. Flex the four clips on the sides of the card reader retaining bracket to remove the card reader from the bracket.

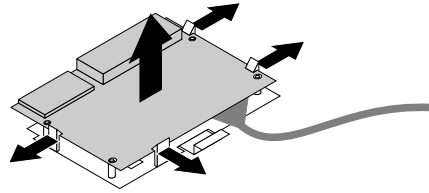


Figure 115. Removing the card reader from the card reader retaining bracket

6. To install a card reader, do the following:
  - a. To install a new card reader into the card reader retaining bracket, align the four holes in the card reader with the corresponding studs on the bracket. Then, press the new card reader downward until it snaps into position.

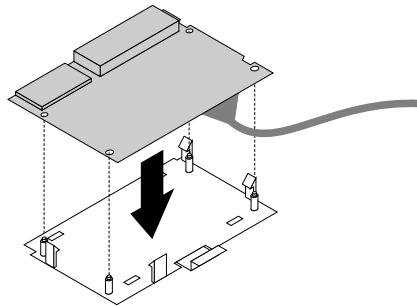


Figure 116. Installing the card reader into the card reader retaining bracket

- b. Note the orientation of the new card reader and route the card reader cable into the cable clip. Hold the clip on the card reader retaining bracket. Then, insert the new card reader into the card reader slot in flex module until it snaps into position.

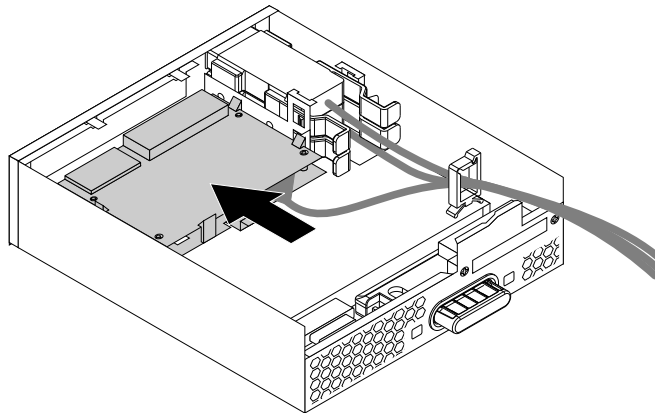


Figure 117. Installing the card reader in the flex module

7. Position the flex module cover on the flex module. Ensure that the rail guides on the bottom of the flex module cover engage the rails on the flex module. Then, push the cover to the front of the flex module until it snaps into position.

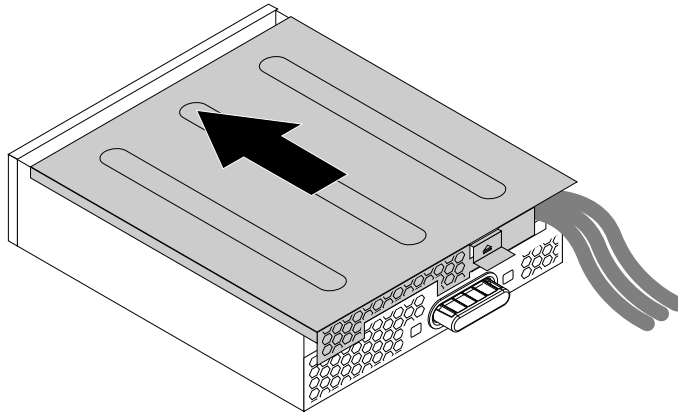


Figure 118. Reinstalling the flex module cover

8. Install the flex module into the flex bay. See “Optical drive” on page 112.
9. Refer to the recorded information about the cable connections and routing. Reconnect all cables connected to the flex module to the system board. For the card reader, connect the card reader cable to the 15-in-1 card reader connector **39** on the system board. See “Parts on the system board” on page 39.

**What to do next:**

- To work with another piece of hardware, go to the appropriate section.
- To complete the installation or replacement, go to “Completing the parts replacement” on page 191.

**eSATA connector, IEEE 1394 connector, or USB-C connector**

To remove or install the eSATA connector, IEEE 1394 connector, or USB-C connector in the flex module, do the following:

1. Prepare your computer. See “Preparing your computer and removing the computer cover” on page 95.
2. Record the cable connections and cable routing. Then, disconnect all cables connected to the flex module from the system board. See “Parts on the system board” on page 39.
3. Remove the flex module from the front of the computer. See “Optical drive” on page 112.
4. Lift the clip on the side of the flex module upward. Then, slide the flex module cover to the rear of the flex module to remove the cover.

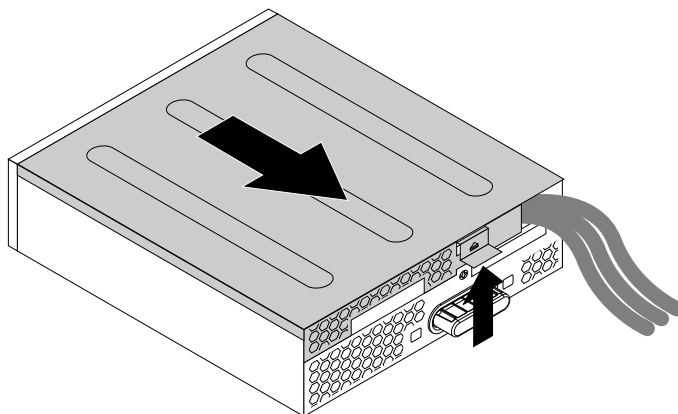


Figure 119. Removing the flex module cover

5. Press the two clips toward each other as shown, and then pull the eSATA connector, IEEE 1394 connector, or USB-C connector out of the flex module.

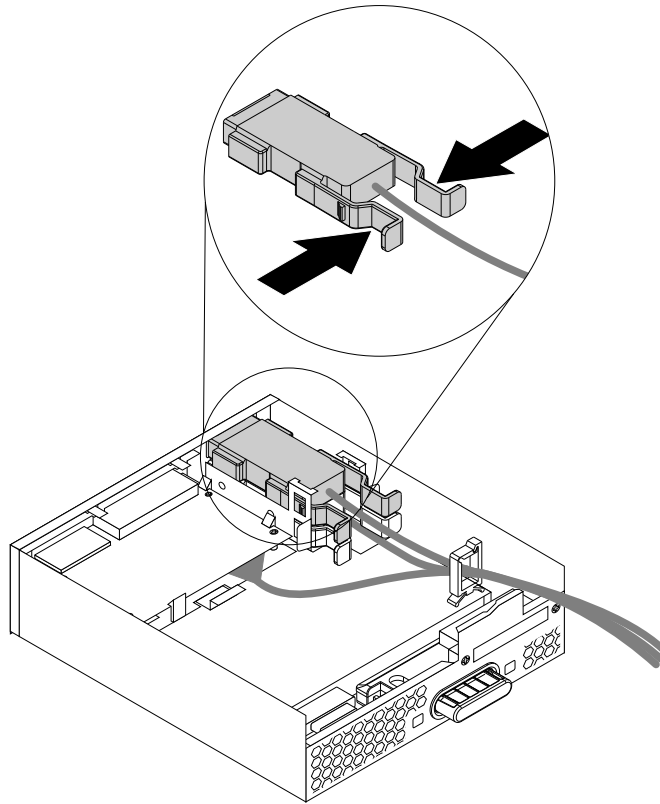


Figure 120. Removing the eSATA connector, IEEE 1394 connector, or USB-C connector in the flex module

6. To install the eSATA connector, IEEE 1394 connector, or USB-C connector, do the following:
  - a. Note the orientation of the eSATA connector, IEEE 1394 connector, or USB-C connector and route the cable into the cable clip.
  - b. Place the eSATA connector, IEEE 1394 connector, or USB-C connector into the metal retainer. Then, insert the connector into the corresponding slot in the flex module as shown.

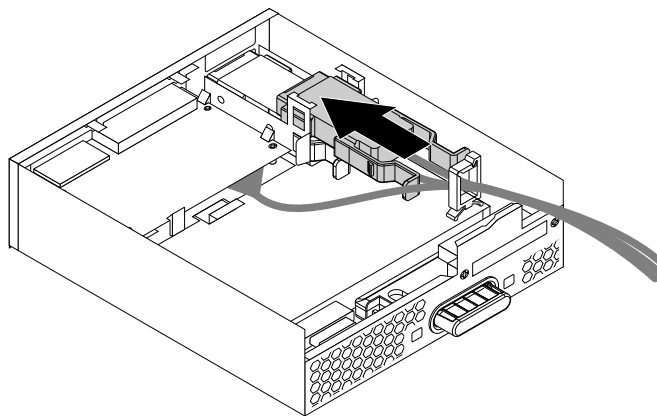


Figure 121. Installing the eSATA connector, IEEE 1394 connector, or USB-C connector in the flex module

7. Position the flex module cover on the flex module. Ensure that the rail guides on the bottom of the flex module cover engage the rails on the flex module. Then, push the cover to the front of the flex module until it snaps into position.

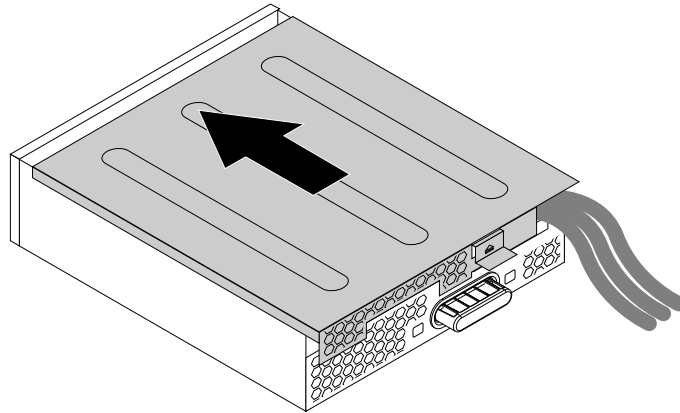


Figure 122. Reinstalling the flex module cover

8. Install the flex module into the flex bay. See “Optical drive” on page 112.
9. Refer to the recorded information about the cable connections and routing, reconnect all cables connected to the flex module to the system board. See “Parts on the system board” on page 39. For the eSATA connector, IEEE 1394 connector, or USB-C connector, connect the cables to the system board as follows:
  - Connect the eSATA connector cable to the eSATA connector on the system board.
  - Connect the IEEE 1394 connector cable to the IEEE 1394 adapter.
  - Connect the USB-C connector cable to the USB 3.0 extension connector or 15-in-1 card reader connector on the system board.

#### What to do next:

- To work with another piece of hardware, go to the appropriate section.
- To complete the installation or replacement, go to “Completing the parts replacement” on page 191.

### Front Thunderbolt adapter kit

The front Thunderbolt adapter kit includes the following parts:

- A front Thunderbolt I/O adapter
- A front Thunderbolt PCIe x4 card
- A bezel
- A general-purpose input/output (GPIO) cable
- A mini-SAS cable
- An internal DP-to-DP cable
- An external DP-to-DP cable

To remove or install a front Thunderbolt adapter kit, do the following:

1. Prepare your computer. See “Preparing your computer and removing the computer cover” on page 95.
2. Record the cable connections and cable routing. Then, disconnect all cables connected to the flex module from the system board. See “Parts on the system board” on page 39.
3. Remove the flex module from the front of the computer. See “Optical drive” on page 112.

4. Lift the clip on the rear of the flex module, and then slide the flex module cover to the rear of the flex module.

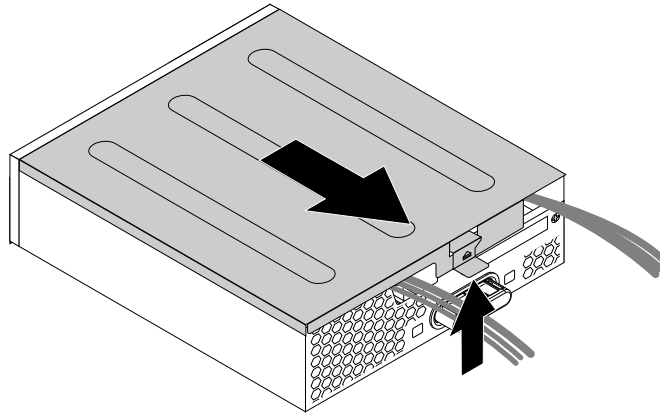


Figure 123. Removing the flex module cover

5. To remove a front Thunderbolt I/O adapter, do the following:
  - a. Remove all the cables connected to the front Thunderbolt I/O adapter.
  - b. Pull the clip as shown to remove the front Thunderbolt I/O adapter and the retaining bracket out of the flex module.

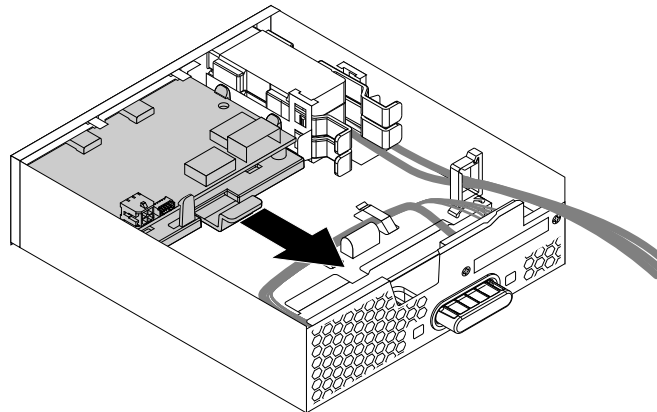


Figure 124. Removing the front Thunderbolt adapter and the retaining bracket out of the flex module

- c. Flex the four clips on the sides of the retaining bracket to remove the front Thunderbolt I/O adapter from the bracket.

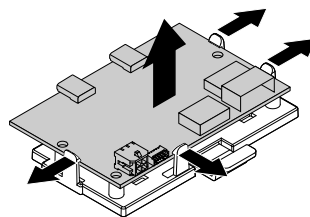


Figure 125. Removing the front Thunderbolt I/O adapter from the retaining bracket

6. To install a front Thunderbolt I/O adapter, do the following:

- a. If necessary, remove the dummy bezel. Then, install the bezel in the front Thunderbolt adapter kit to the flex module.

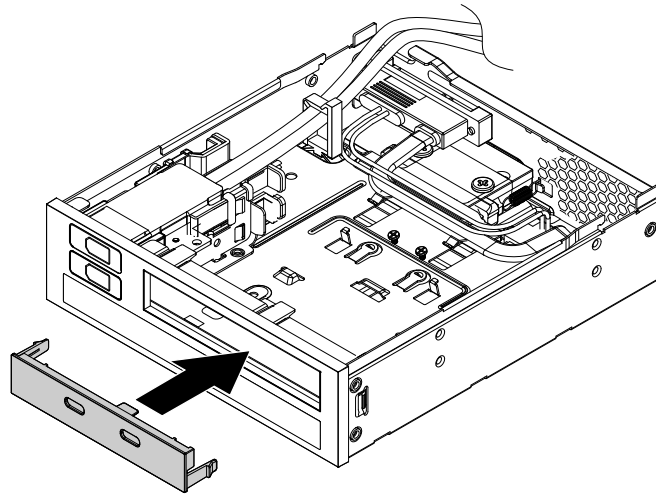


Figure 126. Installing the bezel to the flex module

- b. Align the four holes in the front Thunderbolt I/O adapter with the corresponding mounting studs on the bracket. Then, press the card downward until it snaps into position.

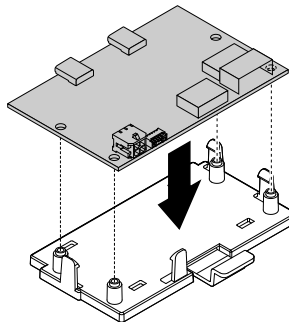


Figure 127. Installing the front Thunderbolt I/O adapter into the retaining bracket

- c. Hold the clip on the retaining bracket. Then insert the front Thunderbolt I/O adapter and the retaining bracket into the flex module as shown until they snap into position.

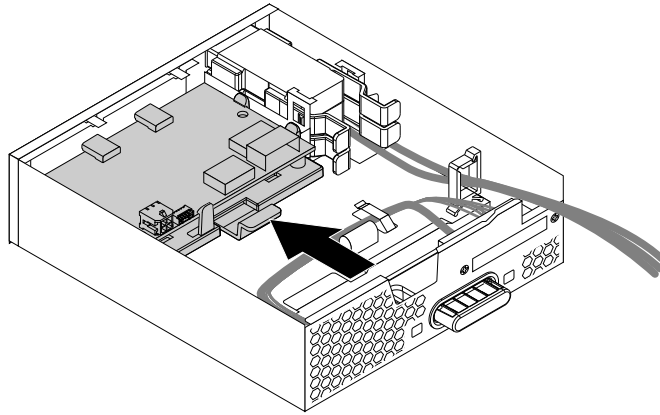


Figure 128. Installing the front Thunderbolt adapter and the retaining bracket into the flex module

- d. Install the front Thunderbolt PCIe x4 card into a PCIe 3.0 x4 card slot on the system board. See “PCIe card” on page 98 and “Parts on the system board” on page 39.
- e. Connect the cables to the front Thunderbolt I/O adapter.
  - Connect the power cable in the flex module to the 4-pin power connector **a**.
  - Connect the GPIO cable to the connector **b**.
  - Connect the internal DP-to-DP cable to the DisplayPort connector **c**.
  - Connect the mini-SAS cable to the SAS connector **d**.

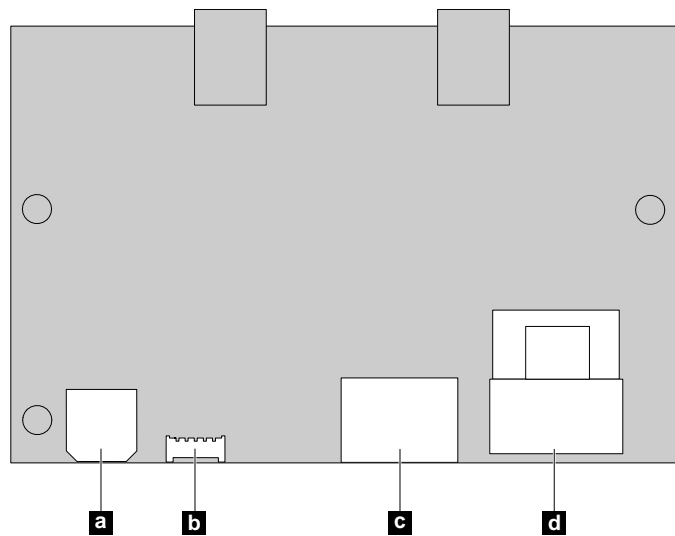


Figure 129. Front Thunderbolt adapter cable connection

- f. Route the cables through the two holes in the rear of the flex module.

7. Position the flex module cover on the flex module. Ensure that the rail guides on the bottom of the cover engage the rails on the flex module. Then, push the cover to the front of the flex module until it snaps into position.

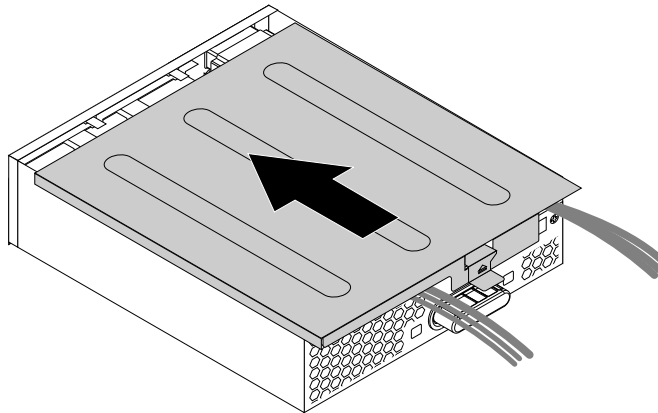


Figure 130. Reinstalling the flex module cover

8. Install the flex module into the flex bay. See “Optical drive” on page 112.
9. Refer to the recorded information about the cable connections and routing. Reconnect all cables connected to the flex module to the system board. For the front Thunderbolt adapter kit, connect the cables to the system board and the front Thunderbolt PCIe x4 card as follows:
  - Connect the GPIO cable to the Thunderbolt control connector (47) on the system board. See “Parts on the system board” on page 39.
  - Connect the internal DP-to-DP cable to the DisplayPort connector on the front Thunderbolt PCIe x4 card.
  - Connect the mini-SAS cable to the SAS connector on the front Thunderbolt PCIe x4 card.
  - Connect the external DP-to-DP cable to the DisplayPort connector on the front Thunderbolt PCIe x4 card and the DisplayPort connector on the graphics card.

#### What to do next:

- To work with another piece of hardware, go to the appropriate section.
- To complete the installation or replacement, go to “Completing the parts replacement” on page 191.

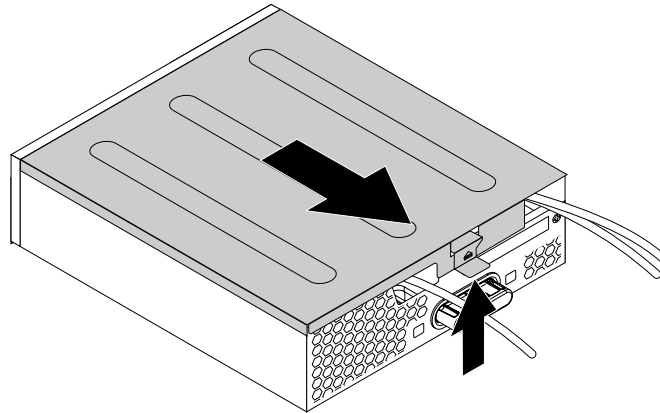
#### Four-digit diagnostics display

To remove or install a four-digit diagnostics display in the flex module, do the following:

1. Prepare your computer. See “Preparing your computer and removing the computer cover” on page 95.
2. Record the cable connections and cable routing. Then, disconnect all cables connected to the flex module from the system board. See “Parts on the system board” on page 39.
3. Disconnect the four-digit-diagnostics-display cable from the four-digit-diagnostics-display connector on the system board. See “Parts on the system board” on page 39.
4. Remove the flex module from the front of the computer. See “Optical drive” on page 112.

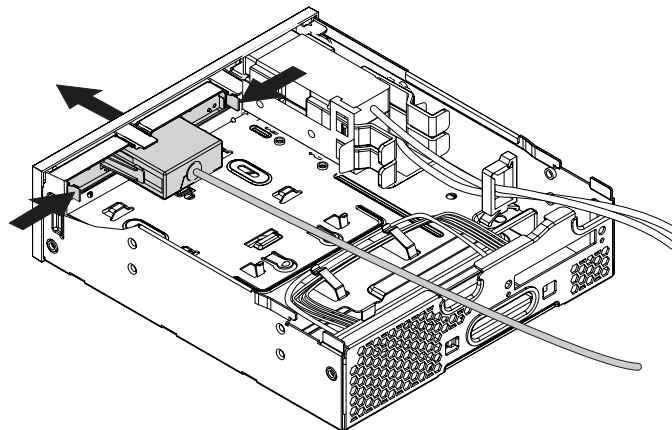


5. Lift the clip on the rear of the flex module, and then slide the flex module cover to the rear of the flex module.



*Figure 131. Removing the flex module cover*

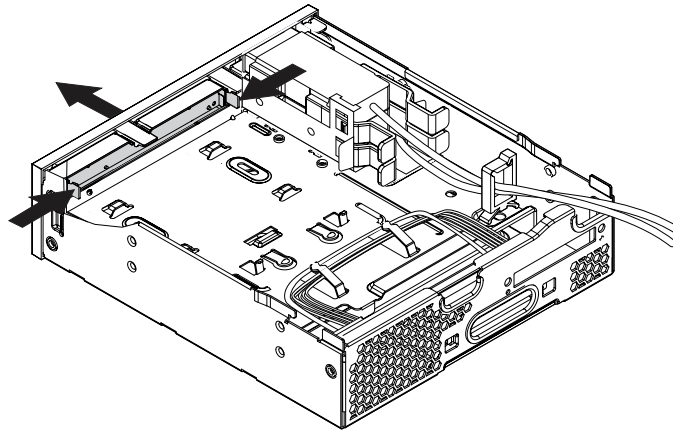
6. To remove a four-digit diagnostics display, press the two clips toward each other and push forward the four-digit diagnostics display. Then, pull the four-digit diagnostics display out of the flex module.



*Figure 132. Removing the four-digit diagnostics display*

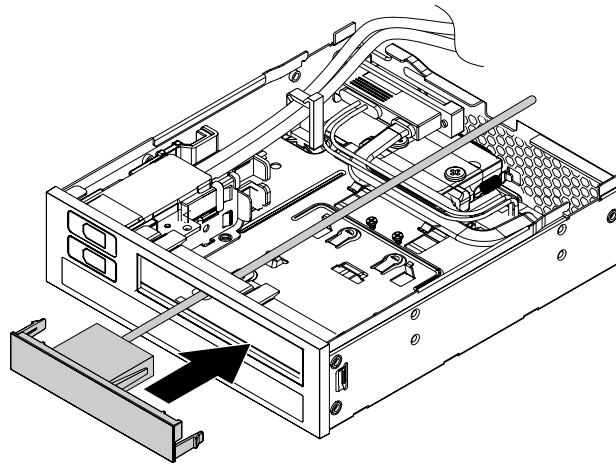
7. To install a four-digit diagnostics display, do the following:

- a. Press the two clips toward each other as shown and push the dummy bezel out of the flex module.



*Figure 133. Removing the dummy bezel*

- b. Insert the four-digit-diagnostics-display cable into the corresponding slot. Then, push the four-digit diagnostics display as shown until it snaps into position.



*Figure 134. Installing the four-digit diagnostics display*

8. Position the flex module cover on the flex module. Ensure that the rail guides on the bottom of the cover engage the rails on the flex module. Then, push the cover to the front of the flex module until it snaps into position.

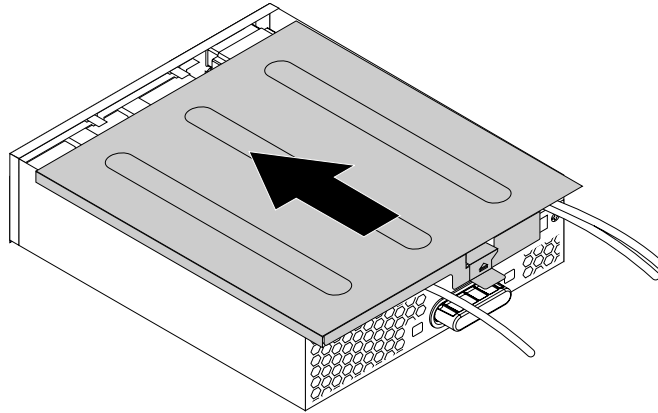


Figure 135. Reinstalling the flex module cover

9. Install the flex module into the flex bay. See “Optical drive” on page 112.
10. Refer to the recorded information about the cable connections and routing. Reconnect all cables connected to the flex module to the system board. For the four-digit diagnostics display, connect the four-digit-diagnostics-display cable to the four-digit-diagnostics-display connector on the system board.

**What to do next:**

- To work with another piece of hardware, go to the appropriate section.
- To complete the installation or replacement, go to “Completing the parts replacement” on page 191.

## M.2 solid-state drive

**Attention:** Do not open your computer or attempt any repair before reading and understanding the Chapter 1 “Read this first: Important safety information” on page 1.

### M.2 solid-state drive in the storage drive bracket

To remove or install the M.2 solid-state drive in the storage drive bracket, do the following:

1. Prepare your computer. See “Preparing your computer and removing the computer cover” on page 95.
2. To remove the failing M.2 solid-state drive, do the following:

- a. Unlock the M.2 solid-state drive carrier with the provided key as shown. Store the key in a secure place for later use. Press the eject button to eject the carrier from the storage drive bracket. Then, grasp the M.2 solid-state drive carrier by its edge and gently pull it out of the bracket.

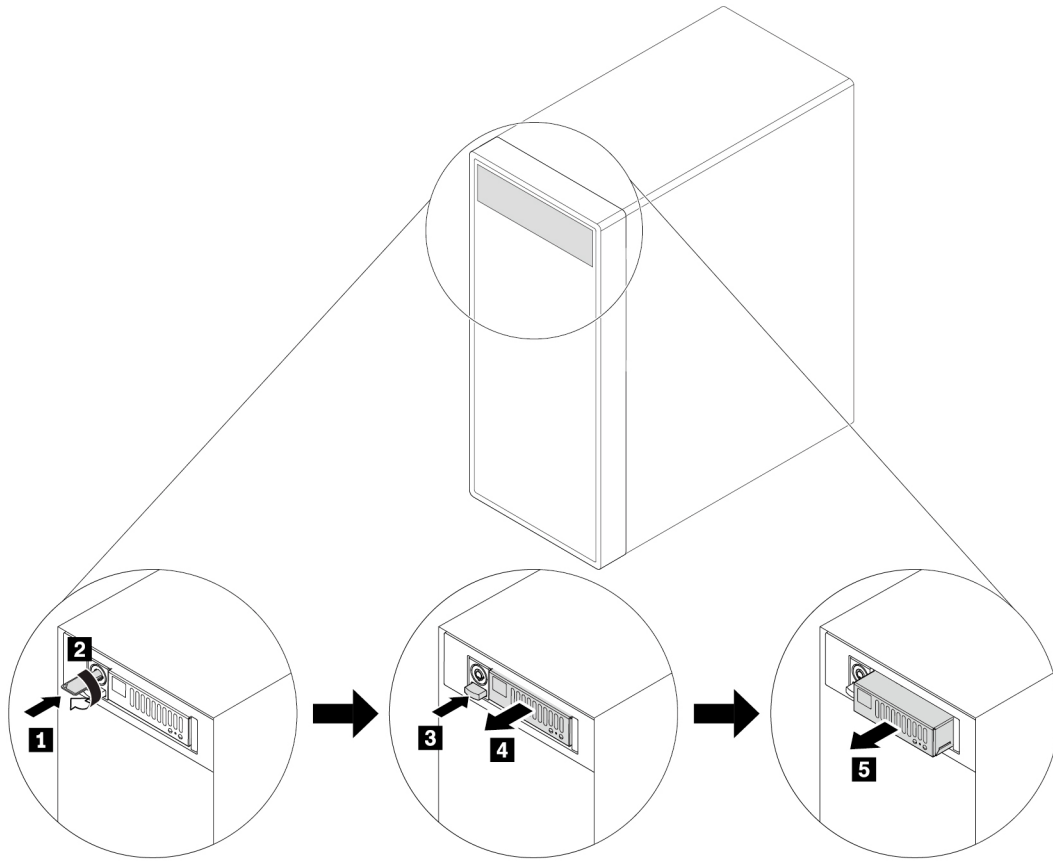


Figure 136. Removing the M.2 solid-state drive carrier

- b. Remove two screws and slide the cover as shown to remove the cover from the carrier.

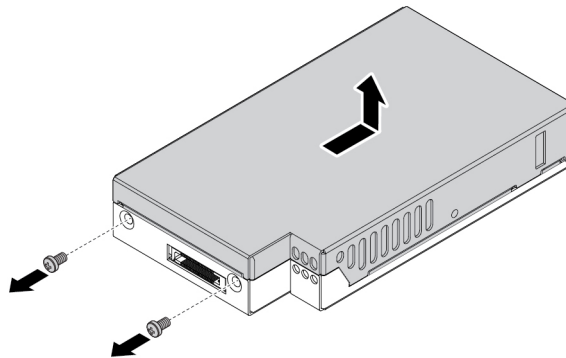


Figure 137. Removing the cover of the M.2 solid-state drive carrier

- c. Loosen the screw that secures the M.2 solid-state drive. Then, remove the M.2 solid-state drive out of the slot at an angle of about 20 degrees.

**Note:** Do not touch the circuit board of the M.2 solid-state drive.

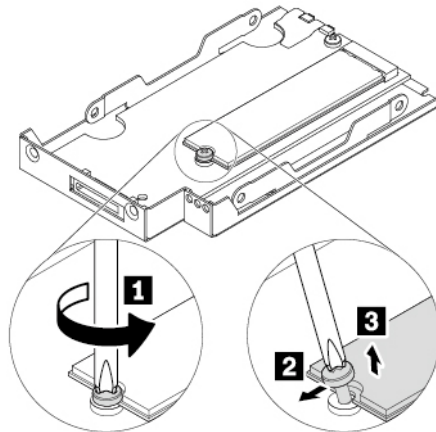


Figure 138. Removing the M.2 solid-state drive

3. To install the M.2 solid-state drive, do the following:
  - a. Insert the new M.2 solid-state drive into the slot at an angle of about 20 degrees. Pivot the M.2 solid-state drive downward. Then, tighten the screw to secure the M.2 solid-state drive.

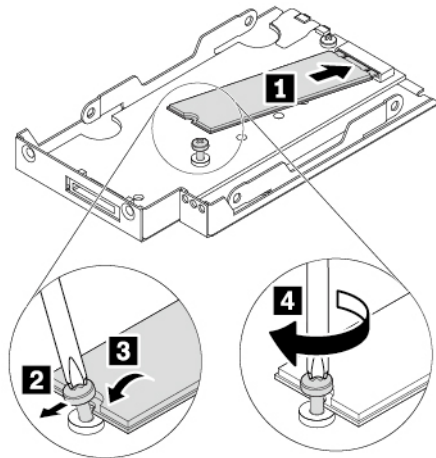


Figure 139. Installing the M.2 solid-state drive

- b. Reinstall the cover of the carrier as shown and reinstall the screws to secure the cover.

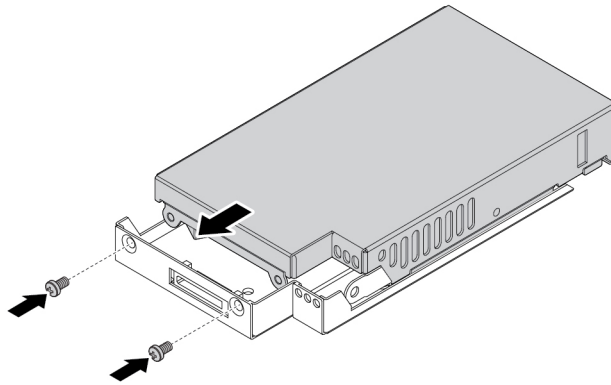


Figure 140. Installing the cover of the M.2 solid-state drive carrier

- c. Reinstall the carrier into the bracket as shown until it snaps in to position. Lock the carrier with the key. Always store the key in a secure place.

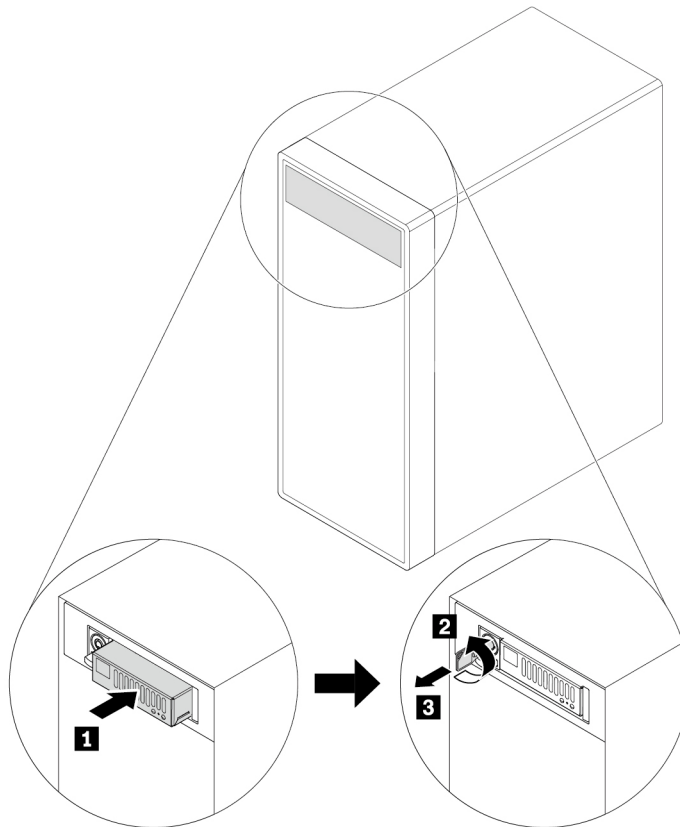


Figure 141. Reinstalling the M.2 solid-state drive carrier

**What to do next:**

- To work with another piece of hardware, go to the appropriate section.
- To complete the installation or replacement, go to “Completing the parts replacement” on page 191.

## M.2 solid-state drive in the M.2 solid-state drive holder

To remove or install an M.2 solid-state drive in the M.2 solid-state drive holder, do the following:

1. Prepare your computer. See “Preparing your computer and removing the computer cover” on page 95.
2. Lay the computer on its side for easier access to the M.2 solid-state drive slots.
3. Locate the M.2 solid-state drive slots. See “Parts on the system board” on page 39.
4. Untie the cables that prevent your access to the M.2 solid-state drive slots from the cable clip.
5. Remove the cover of the front fan assembly.

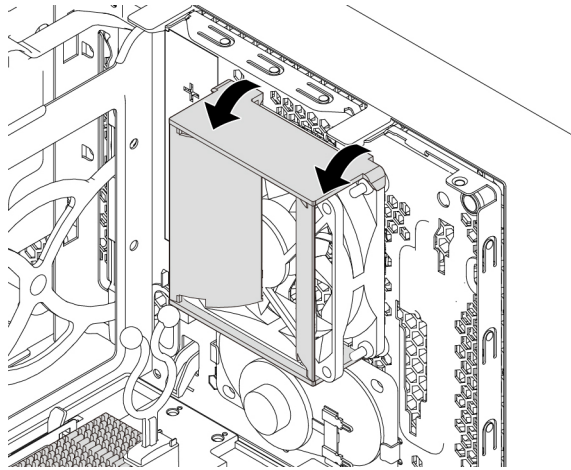


Figure 142. Removing the cover of the front fan assembly

6. To remove an M.2 solid-state drive, do the following:
  - a. Turn the mounting stud 90-degree counterclockwise to release the heat sink. Then, lift the heat sink off the M.2 solid-state drive holder.

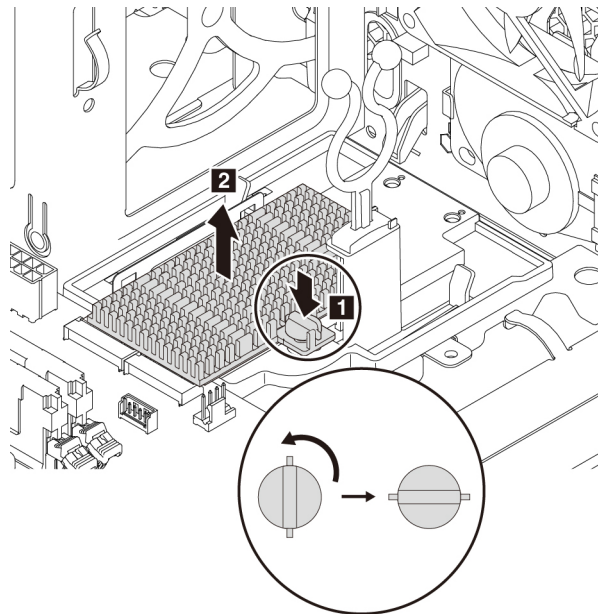


Figure 143. Removing the heat sink from the M.2 solid-state drive holder

- b. Pull the handle of the retention latch outward to the open position. The M.2 solid-state drive is released from the secured position and pivots upward.

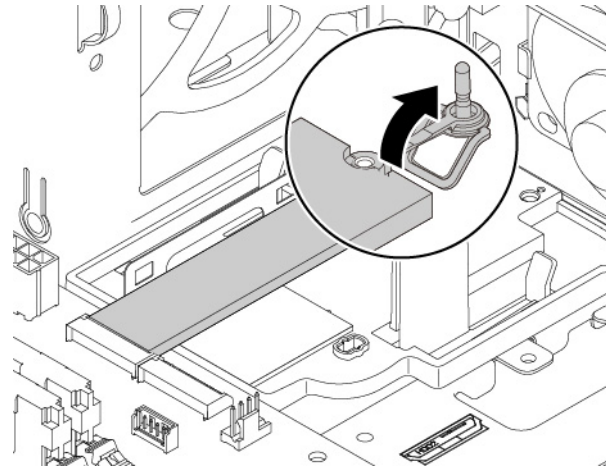


Figure 144. Opening the retention latch

- c. Remove the M.2 solid-state drive out of the slot.

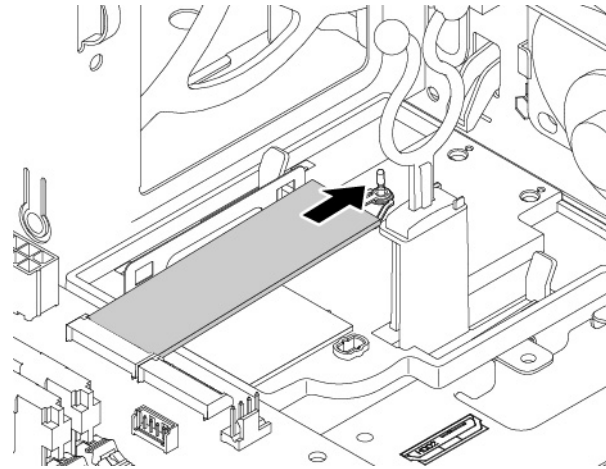


Figure 145. Removing the M.2 solid-state drive

7. To install an M.2 solid-state drive, do the following:



- a. If necessary, adjust the location of the retention latch by moving it from the original place to a new one to suit the length of the new M.2 solid-state drive.

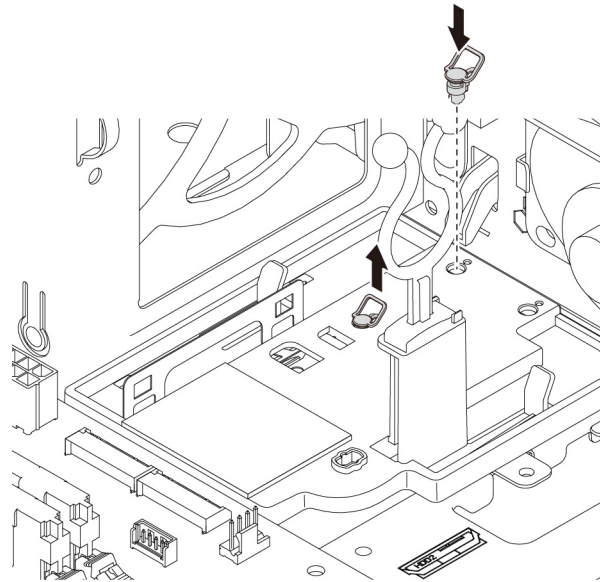


Figure 146. Adjusting the location of the retention latch on the M.2 solid-state drive holder

- b. Pull the handle of the retention latch outward to the open position.

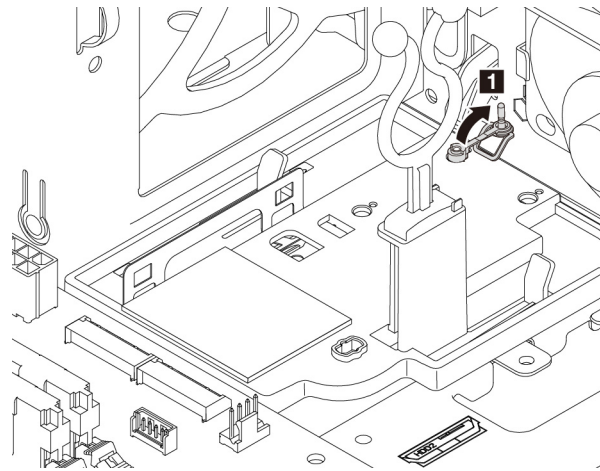


Figure 147. Pulling the handle of the retention latch

- c. Hold the new M.2 solid-state drive by its edges and ensure that the circuit board side is facing upward. Align the contact edge of the new drive with the key in the corresponding slot. Then carefully insert the new drive into the slot at an angle of about 20 degrees and pivot the new drive downward.

**Notes:**

- Do not touch the circuit board of the M.2 solid-state drive.
- If only one M.2 solid-state drive is installed, ensure that the drive is installed in the M.2 solid-state drive slot 1 (14). See “Parts on the system board” on page 39.

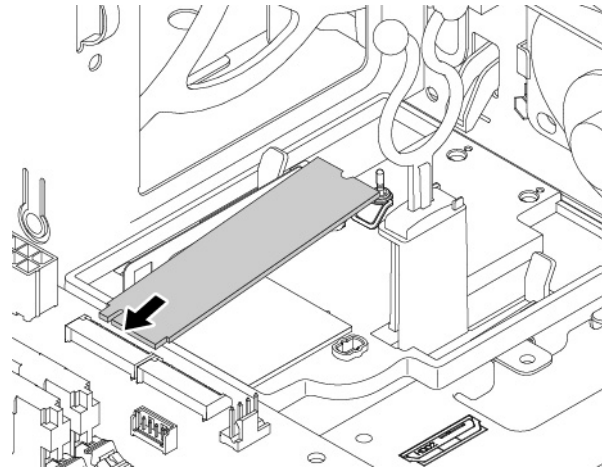


Figure 148. Installing the M.2 solid-state drive

- d. Insert the plug of the retention latch into the hole to secure the new drive.

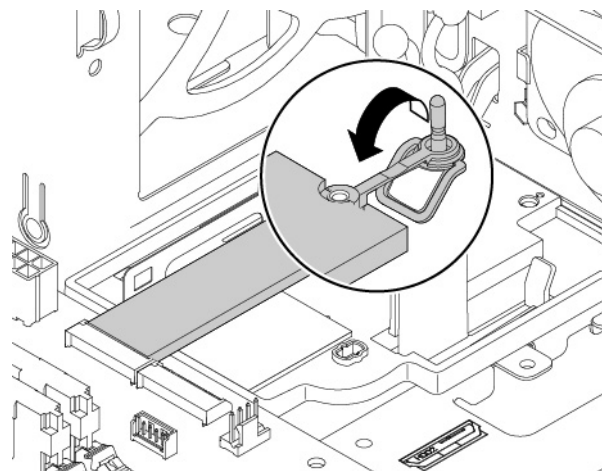


Figure 149. Closing the retention latch

8. Insert two hooks on the heat sink into the corresponding holes in the M.2 solid-state drive holder as shown. Then, press the heat sink downward. Ensure that the mounting stud on the heat sink is inserted into the hole in the M.2 solid-state drive holder.

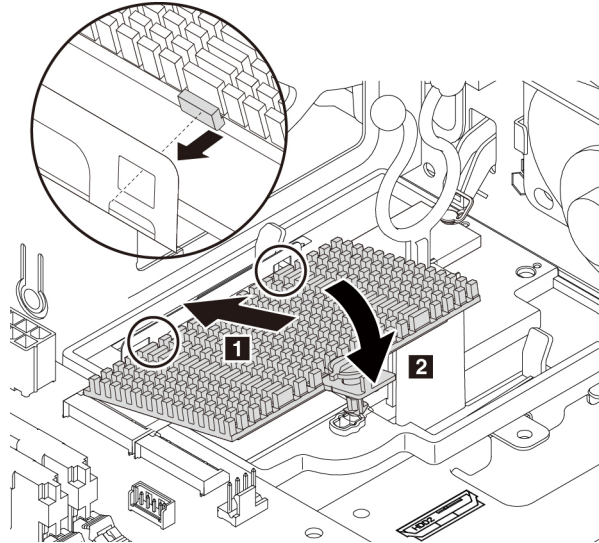


Figure 150. Installing the heat sink onto the M.2 solid-state drive holder

9. Press the mounting stud downward. Then, turn the mounting stud 90-degree clockwise to secure the heat sink to the M.2 solid-state drive holder.

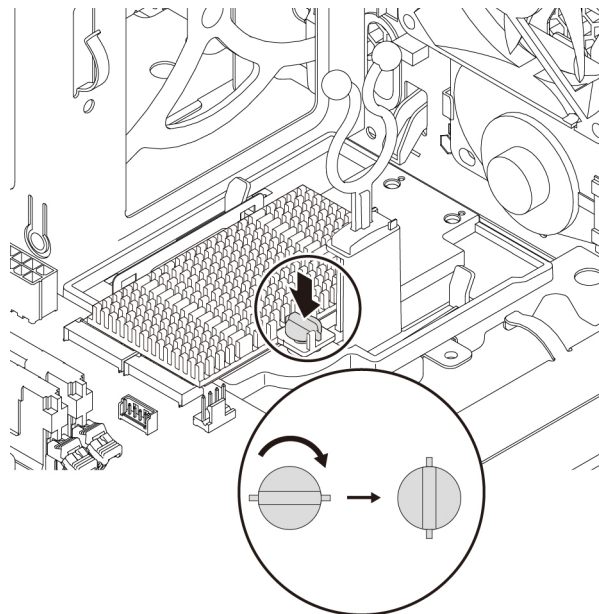


Figure 151. Securing the heat sink to the M.2 solid-state drive holder

10. Reinstall the cover of the front fan assembly.
11. Retie the cables that you have untied with the cable clip.

**What to do next:**

- To work with another piece of hardware, go to the appropriate section.

- To complete the installation or replacement, go to “Completing the parts replacement” on page 191.

## Thermal sensor

**Attention:** Before you replace any FRU, be sure to read and understand Chapter 1 “Read this first: Important safety information” on page 1.

To remove or install the thermal sensor, do the following:

1. Prepare your computer. See “Preparing your computer and removing the computer cover” on page 95.
2. Remove the front bezel. See “Front bezel” on page 97.
3. To remove the thermal sensor, do the following:
  - a. Locate the thermal sensor. See “Major FRUs and CRUs” on page 34.
  - b. Disconnect the thermal-sensor cable from the thermal sensor connector on the system board. See “Parts on the system board” on page 39.
  - c. From the inner side of the chassis, press the upper retaining clip that secures the plastic holder of the thermal sensor downward and push the clip outward to release the clip. Then disengage the plastic holder from the chassis.

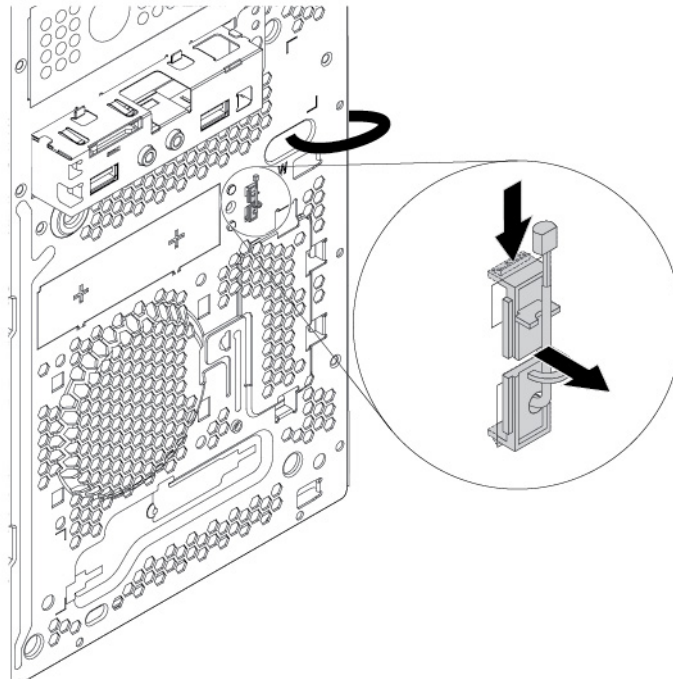


Figure 152. Removing the thermal sensor

- d. Pull the entire thermal sensor out of the chassis.
4. To install the thermal sensor, do the following:

- a. Insert the cable of the new thermal sensor into the lower hole **1** in the chassis. Then align the two tabs on the plastic holder holding the thermal sensor with the two holes **1** and **2** in the chassis, and push the plastic holder until it snaps into position.

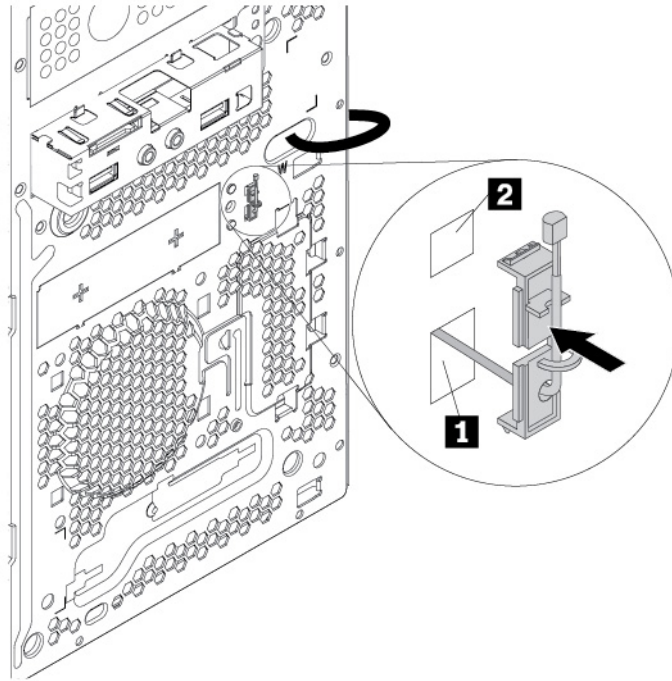


Figure 153. Installing the thermal sensor

- b. Connect the thermal sensor cable to the thermal sensor connector on the system board. See “Parts on the system board” on page 39.
5. Reinstall the front bezel. See “Front bezel” on page 97.

**What to do next:**

- To work with another piece of hardware, go to the appropriate section.
- To complete the installation or replacement, go to “Completing the parts replacement” on page 191.

## Internal speaker

**Attention:** Before you replace any FRU, be sure to read and understand Chapter 1 “Read this first: Important safety information” on page 1.

To remove or install the internal speaker, do the following:

1. Prepare your computer. See “Preparing your computer and removing the computer cover” on page 95.
2. To remove the internal speaker, do the following:
  - a. Locate the internal-speaker connector on the system board. See “Parts on the system board” on page 39.
  - b. Disconnect the internal-speaker cable from the internal-speaker connector on the system board.

- c. Push the metal tab **1** on the right side of the internal speaker and slide the internal speaker toward the right to completely remove it from the chassis.

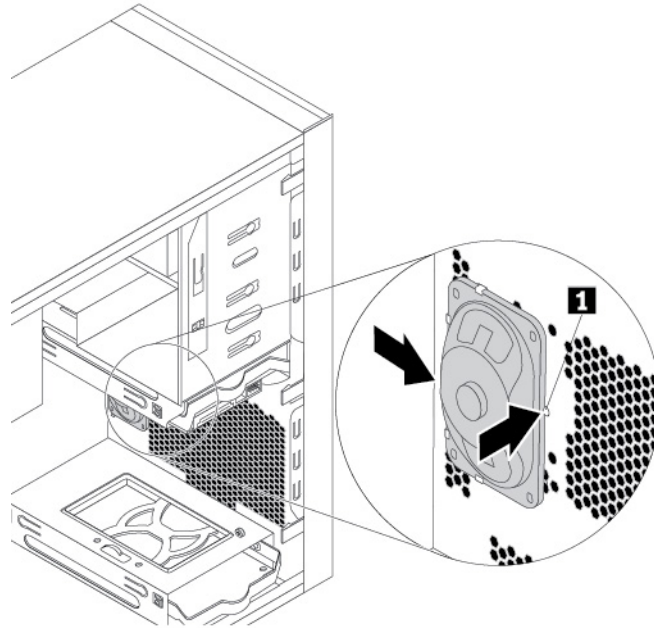


Figure 154. Removing the old internal speaker

3. To install the internal speaker, do the following:
  - a. Position the new internal speaker into the four metal clips **1** and push the internal speaker toward the left until it is secured in place.

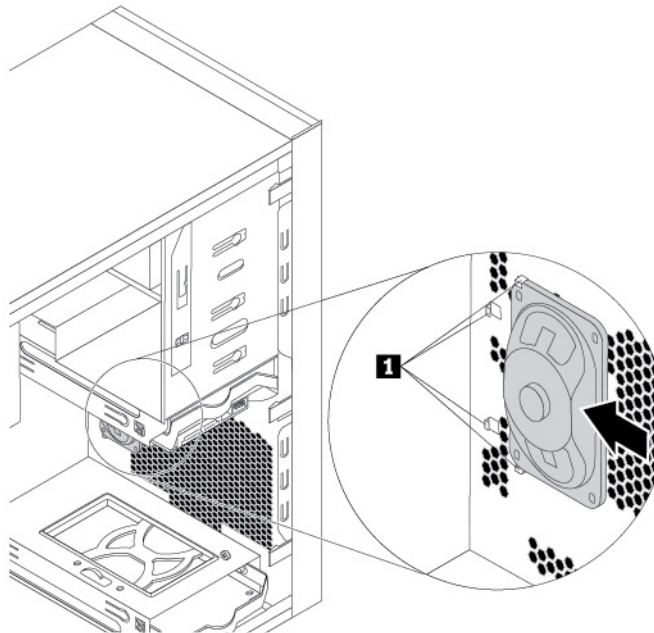


Figure 155. Installing the internal speaker

- b. Connect the internal-speaker cable to the internal-speaker connector on the system board. See “Parts on the system board” on page 39.

**What to do next:**

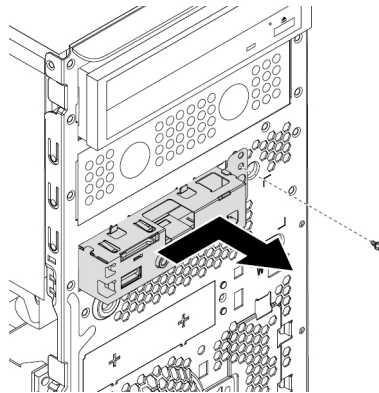
- To work with another piece of hardware, go to the appropriate section.
- To complete the installation or replacement, go to “Completing the parts replacement” on page 191.

## Front audio and USB assembly

**Attention:** Before you replace any FRU, be sure to read and understand Chapter 1 “Read this first: Important safety information” on page 1.

To remove or install the front audio and USB assembly, do the following:

1. Prepare your computer. See “Preparing your computer and removing the computer cover” on page 95.
2. Remove the front bezel. See “Front bezel” on page 97.
3. To remove the front audio and USB assembly, do the following:
  - a. Locate the front audio and USB assembly. See “Computer components” on page 33.
  - b. Note the cable routing and connection. Then, disconnect the front audio and USB assembly cables from the system board. See “Parts on the system board” on page 39.
  - c. Remove the screw that secures the front audio and USB assembly. Slide the front audio and USB assembly to the right as shown to remove it from the chassis.



*Figure 156. Removing the front audio and USB assembly*

4. To install the front audio and USB assembly, do the following:

- a. Route the cables of the new front audio and USB assembly through the corresponding square hole in the front of the chassis. Then position the new front audio and USB assembly into the chassis and slide it to the left as shown. Install the screw to secure the new front audio and USB assembly in place.

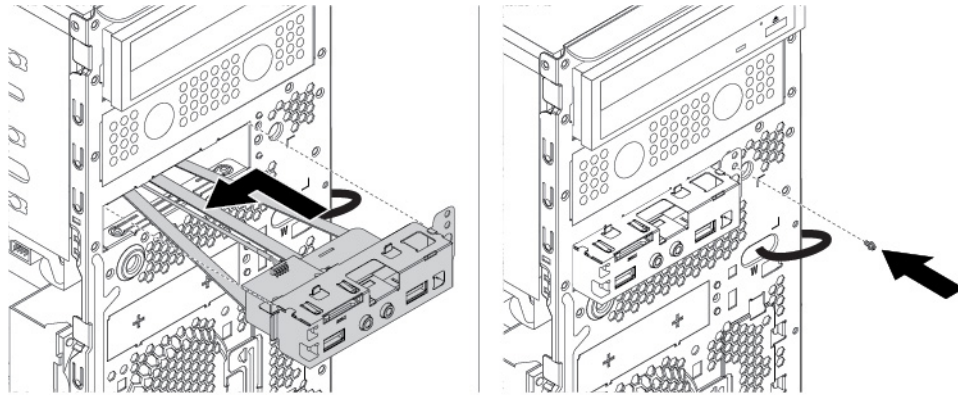


Figure 157. Installing the front audio and USB assembly

- b. Connect the cables of the new front audio and USB assembly to the front audio connector and the front USB 3.0 connector on the system board. See “Parts on the system board” on page 39.

#### What to do next:

- To work with another piece of hardware, go to the appropriate section.
- To complete the installation or replacement, go to “Completing the parts replacement” on page 191.

## Card reader

**Attention:** Before you replace any FRU, be sure to read and understand Chapter 1 “Read this first: Important safety information” on page 1.

To remove or install the card reader, do the following:

1. Prepare your computer. See “Preparing your computer and removing the computer cover” on page 95.
2. Remove the front bezel. See “Front bezel” on page 97.
3. To remove the card reader, do the following:
  - a. Locate the card reader. See “Computer components” on page 33.
  - b. Disconnect the card reader cable from the system board. See “Parts on the system board” on page 39.
  - c. Remove the front audio and USB assembly. See “Front audio and USB assembly” on page 175.



- d. Remove the two screws that secure the card reader. Then carefully pull out the card reader from the rear of the front audio and USB assembly.

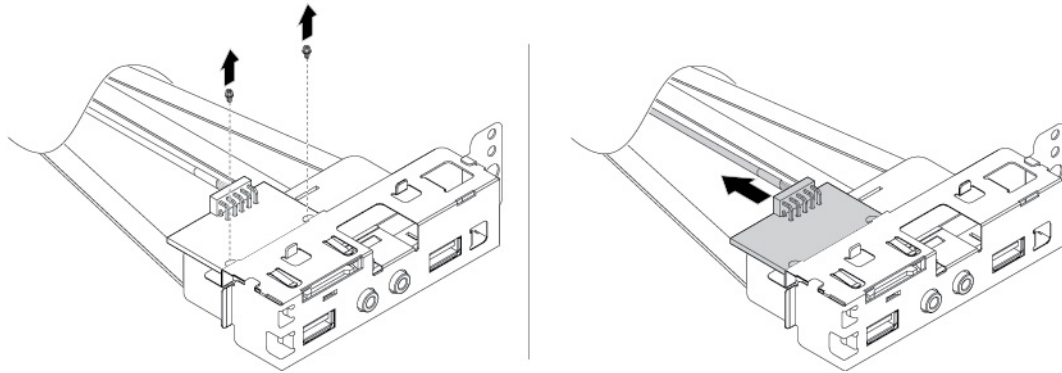


Figure 158. Removing the card reader

4. To install the card reader, do the following:
  - a. Install the new card reader into the card reader slot from the rear of the front audio and USB assembly. Then install the two screws to secure the card reader.

**Note:** Carefully handle the card reader by its edges.

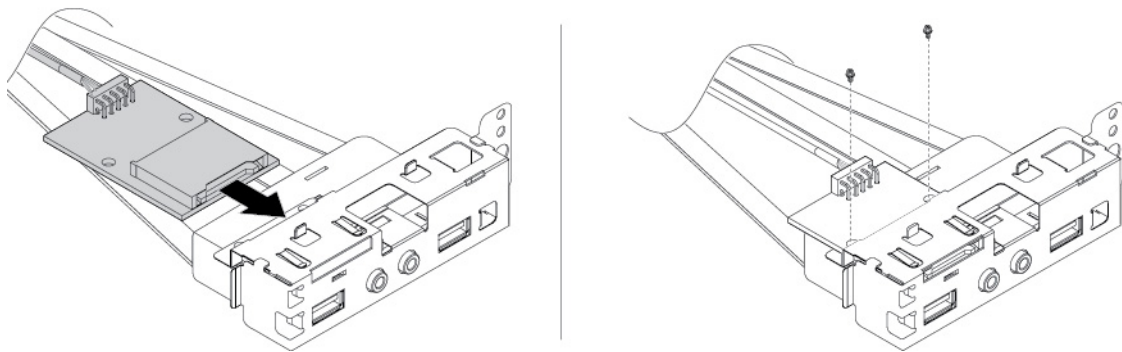


Figure 159. Installing the new card reader

- b. Install the front audio and USB assembly into the chassis. See “Front audio and USB assembly” on page 175.
  - c. Connect the card reader cable to a USB 2.0 connector on the system board. See “Parts on the system board” on page 39.
5. Reinstall the front bezel. See “Front bezel” on page 97.

**What to do next:**

- To work with another piece of hardware, go to the appropriate section.
- To complete the installation or replacement, go to “Completing the parts replacement” on page 191.

## Wi-Fi units

**Attention:** Before you replace any FRU, be sure to read and understand Chapter 1 “Read this first: Important safety information” on page 1.

The Wi-Fi units include a Wi-Fi adapter card, a Wi-Fi card module, a front Wi-Fi antenna, and a rear Wi-Fi antenna.

**Note:** Depending on the model, the Wi-Fi units might look slightly different from the illustrations.

### Front Wi-Fi antenna

To remove or install the front Wi-Fi antenna, do the following:

1. Prepare your computer. See “Preparing your computer and removing the computer cover” on page 95.
2. Remove the front bezel. See “Front bezel” on page 97.
3. To remove the front Wi-Fi antenna, do the following:
  - a. Disconnect the front-antenna cable from the Wi-Fi card module.

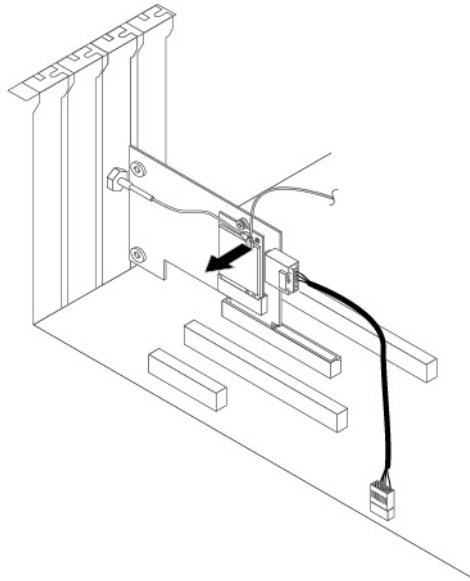


Figure 160. Disconnecting the front-antenna cable

- b. Remove the front antenna and cable from the chassis.

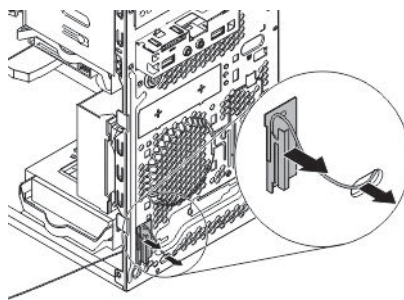


Figure 161. Removing the front Wi-Fi antenna

4. To install the front Wi-Fi antenna, do the following:

- a. Peel off the paper that protects the sticker on the front antenna. Remove the plastic cover from the front-antenna cable connector.

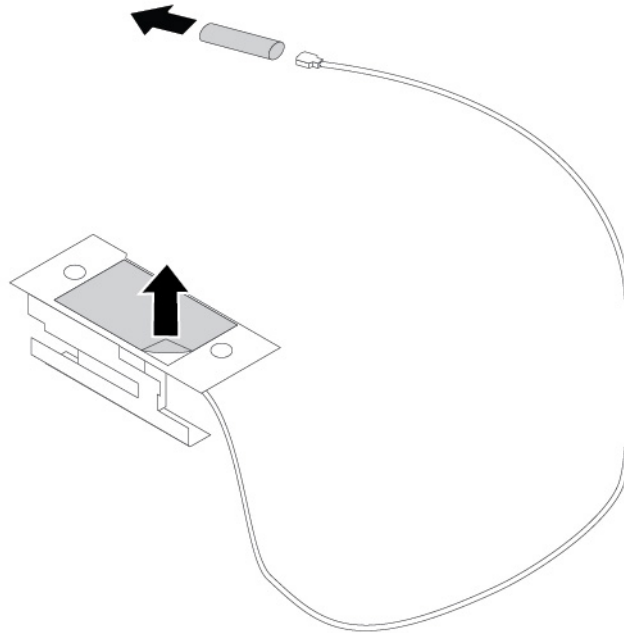


Figure 162. Peeling off the paper that protects the sticker and removing the plastic cover

- b. Stick the front antenna to the front panel as shown. Then, insert the front-antenna cable into the hole in the front panel.

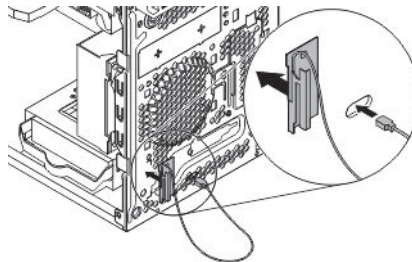


Figure 163. Installing the front Wi-Fi antenna

- c. Connect the front-antenna cable to the Wi-Fi card module.

#### What to do next:

- To work with another piece of hardware, go to the appropriate section.
- To complete the installation or replacement, go to “Completing the parts replacement” on page 191.

#### Rear Wi-Fi antenna

To remove or install the rear Wi-Fi antenna, do the following:

1. Prepare your computer. See “Preparing your computer and removing the computer cover” on page 95.
2. To remove the rear Wi-Fi antenna, do the following:
  - a. Straighten the rear Wi-Fi antenna so that it can be more easily twisted.

- b. Hold the thicker end of the rear Wi-Fi antenna and unscrew the Wi-Fi antenna from the rear of the computer.

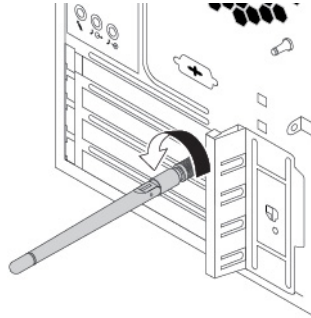


Figure 164. Removing the rear Wi-Fi antenna

3. To install the rear Wi-Fi antenna, do the following:
  - a. Install the rear Wi-Fi antenna to the rear-antenna cable connector attached on the rear of the computer.
  - b. Adjust the angle of the rear Wi-Fi antenna to avoid the risk of breaking the antenna by accident.

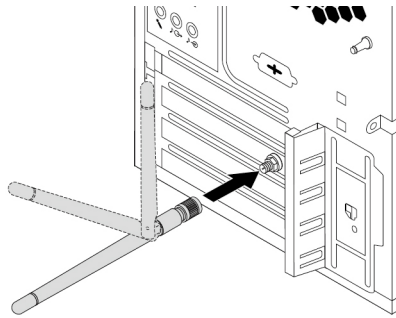


Figure 165. Installing the rear Wi-Fi antenna

**What to do next:**

- To work with another piece of hardware, go to the appropriate section.
- To complete the installation or replacement, go to “Completing the parts replacement” on page 191.

**Wi-Fi adapter card**

To remove or install the Wi-Fi units, do the following:

1. Prepare your computer. See “Preparing your computer and removing the computer cover” on page 95.
2. To remove the Wi-Fi adapter card, do the following:

- a. If your computer comes with a Wi-Fi card module that supports the Bluetooth function, disconnect the Bluetooth cable from the Wi-Fi adapter card.

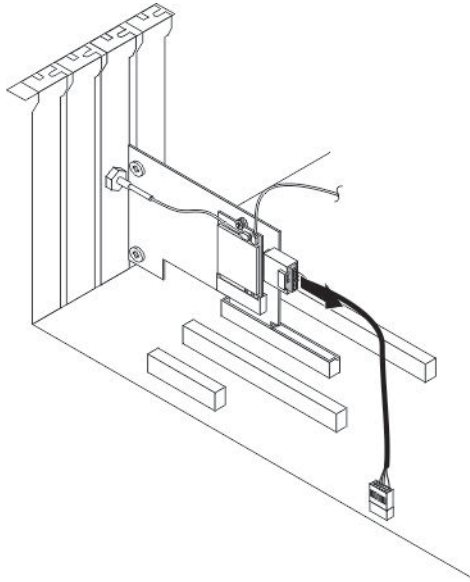


Figure 166. Disconnecting the Bluetooth cable

- b. Remove the rear Wi-Fi antenna. See “Rear Wi-Fi antenna” on page 179.
- c. At the rear of the computer, press the release button **1** to open the PCIe card latch **2**.

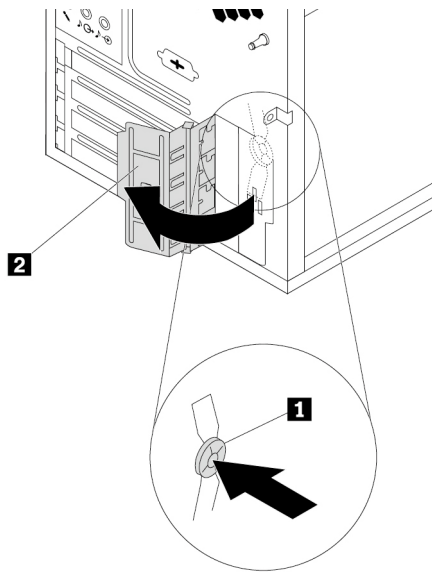


Figure 167. Opening the PCIe card latch

- d. Grasp the Wi-Fi adapter card that is currently installed and gently pull it out of the slot.

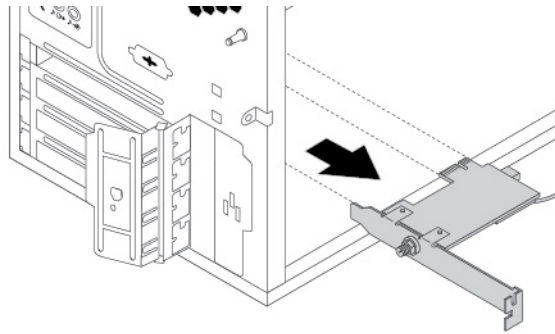


Figure 168. Removing the Wi-Fi adapter card

**Note:** The card fits tightly into the slot. If necessary, alternately move each side of the card a small amount until the card is removed from the slot.

3. To install the Wi-Fi adapter card, do the following:
  - a. Install the Wi-Fi adapter card into a PCIe card slot on the system board. See “Parts on the system board” on page 39. Then, pivot the card latch to the closed position to secure the Wi-Fi adapter card.

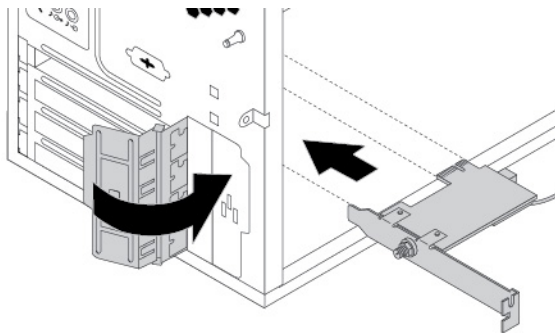


Figure 169. Installing the Wi-Fi adapter card

- b. If the installed Wi-Fi card module supports the Bluetooth function, connect a Bluetooth cable from the Bluetooth connector on the Wi-Fi adapter card to the USB 2.0 connector on the system board.

**What to do next:**

- To work with another piece of hardware, go to the appropriate section.
- To complete the installation or replacement, go to “Completing the parts replacement” on page 191.

**Wi-Fi card module**

To remove or install the Wi-Fi card module, do the following:

1. Remove the Wi-Fi adapter card from the computer. See “Wi-Fi adapter card” on page 180.
2. To remove the Wi-Fi card module, do the following:

- a. Disconnect the front and rear Wi-Fi antenna cables from the Wi-Fi card module.
- b. Remove the screw that secures the Wi-Fi card module to the Wi-Fi adapter card.
- c. Pull the Wi-Fi card module out of the mini PCIe slot.

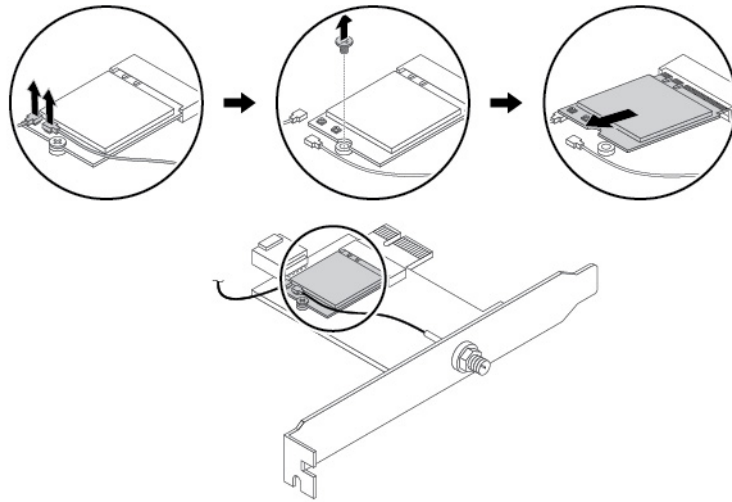


Figure 170. Removing the Wi-Fi card module

3. To install the Wi-Fi card module, do the following:
  - a. Insert the Wi-Fi card module into the mini PCIe slot.
  - b. Install a screw to secure the Wi-Fi card module to the Wi-Fi adapter card.
  - c. Connect the front and rear Wi-Fi antenna cables to the Wi-Fi card module.

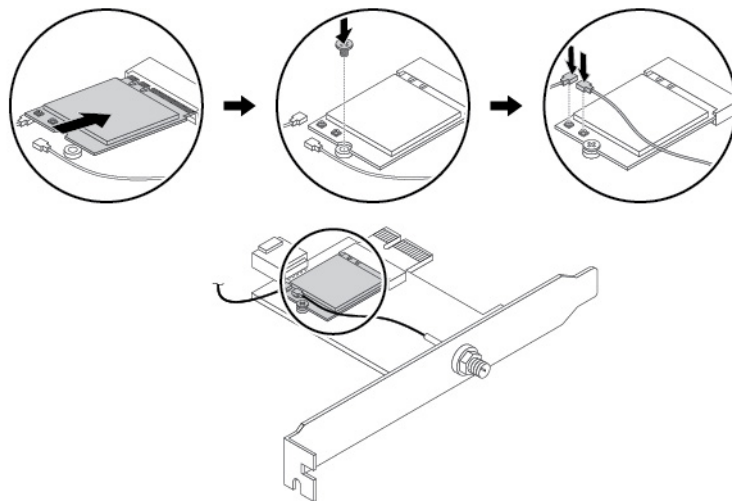


Figure 171. Installing the Wi-Fi antenna cables

**What to do next:**

- To work with another piece of hardware, go to the appropriate section.
- To complete the installation or replacement, go to “Completing the parts replacement” on page 191.

## Microprocessor

**Attention:** Before you replace any FRU, be sure to read and understand Chapter 1 “Read this first: Important safety information” on page 1.

**CAUTION:**



The heat sink and microprocessor might be very hot. Before you open the computer cover, turn off the computer and wait several minutes until the computer is cool.

**Notes:**



- Ensure that you install the correct type of microprocessor option your computer supports.
- Your microprocessor, socket, and socket cover might look slightly different from the illustrations in this topic.

To replace the microprocessor, do the following:

1. Prepare your computer. See “Preparing your computer and removing the computer cover” on page 95.
2. Lay the computer on its side for easier access to the system board.
3. Locate and remove the heat-sink-and-fan assembly. See “Heat-sink-and-fan assembly” on page 137.

**Note:** Place the heat-sink-and-fan assembly on its side. Ensure that the thermal grease on the bottom of it does not get in contact with anything.

4. To remove the microprocessor, do the following:
  - a. Open the small handle **1** by gently pressing down the small handle. Then pull the small handle slightly outward to release it from the secured position. Then, open the other small handle **2** by following the same instructions. Ensure that the small handles are in the fully open position.

**Note:** There are two marks on the microprocessor retainer. You must open the small handle marked with  first and then you can open the other small handle marked with .

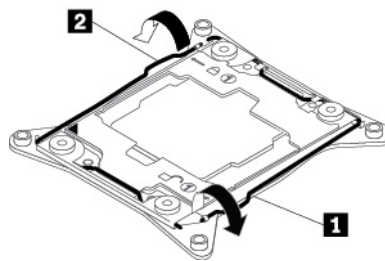


Figure 172. Opening the handles



- b. Gently press down the small handle **1** to open the microprocessor retainer. Pivot the retainer upward until it is in the fully open position.

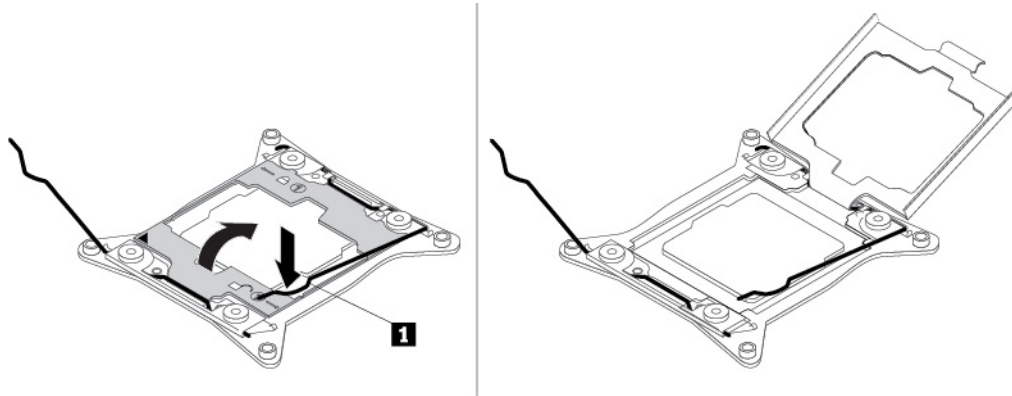


Figure 173. Opening the microprocessor retainer

- c. Lift the microprocessor straight up and out of the microprocessor socket. Place the old microprocessor on a static-protective surface.

**Notes:**

- Your microprocessor and socket might look different from the one illustrated.
- Touch only the edges of the microprocessor. Do not touch the gold contacts on the bottom.
- Do not drop anything onto the microprocessor socket while it is exposed. The socket pins must be kept as clean as possible.

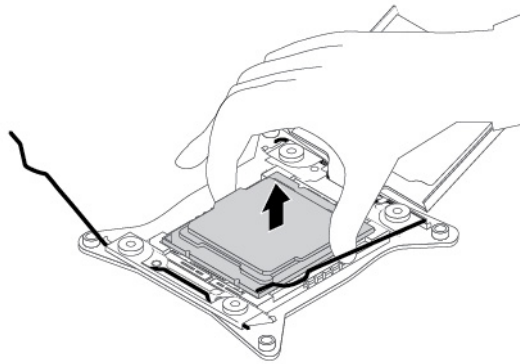


Figure 174. Removing the microprocessor

5. To install the microprocessor, do the following:
- a. Touch the static-protective package that contains the new microprocessor to any unpainted surface on the outside of the computer. Then, remove the new microprocessor from the package.

- b. Remove the new microprocessor from the protective cover that protects the gold contacts on the bottom of the new microprocessor. Do not touch the pins on the microprocessor socket or the gold contacts on the bottom of the new microprocessor.

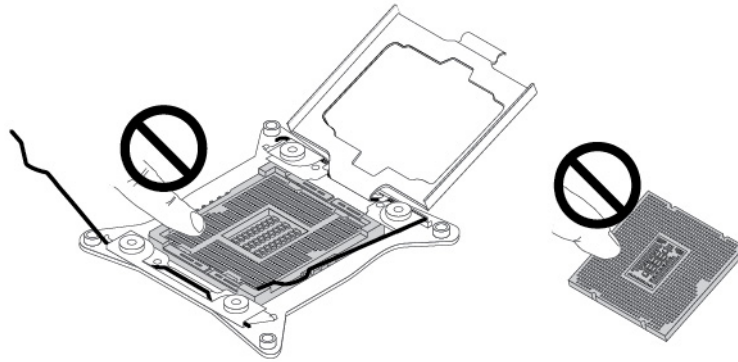


Figure 175. Do not touch the pins

- c. Note the orientation of the new microprocessor. Hold the new microprocessor by its edges and align the notches **1** on it with the tabs **2** in the microprocessor socket. Then, carefully lower the new microprocessor straight down into the microprocessor socket.

**Note:** The small triangle **3** on one corner of the new microprocessor is the microprocessor orientation indicator. The new microprocessor is in the correct orientation when this indicator faces the beveled corner **4** of the microprocessor socket.

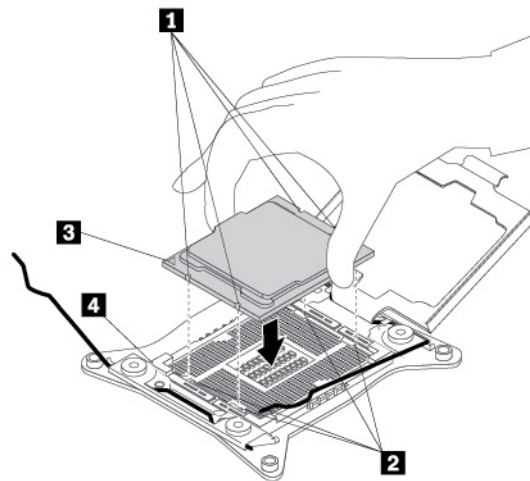


Figure 176. Installing the microprocessor

- d. Pivot the microprocessor retainer downward to close the retainer.

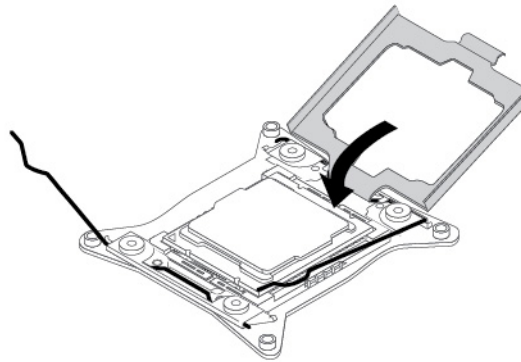




Figure 177. Closing the microprocessor retainer

- e. Gently press down the small handle **2** and then push the handle inward to secure it. Then gently press down the small handle **1** and push the handle inward to lock the microprocessor retainer into position. Ensure that the new microprocessor is secured in the socket.

**Note:** There are two marks on the microprocessor retainer. Ensure that you close the small handle marked with ←  ① first and then close the small handle marked with  ① →. Always follow the correct sequence when you close the small handles.

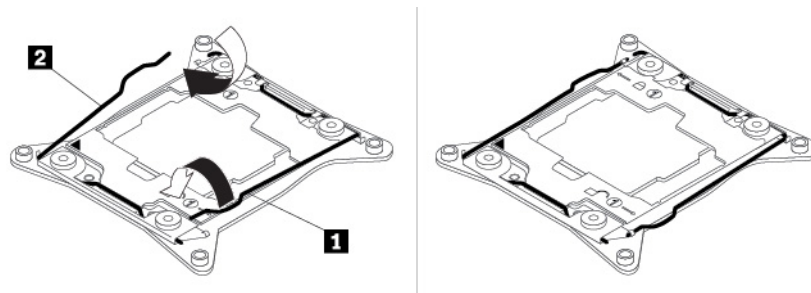


Figure 178. Securing the microprocessor in the socket

6. Reinstall the heat-sink-and-fan assembly. See “Heat-sink-and-fan assembly” on page 137.
7. If you are instructed to return the old microprocessor, follow all packaging instructions and use any packaging materials that are supplied to you for shipping.

**What to do next:**

- To work with another piece of hardware, go to the appropriate section.
- To complete the installation or replacement, go to “Completing the parts replacement” on page 191.

## System board

**Attention:** Before you replace any FRU, be sure to read and understand Chapter 1 “Read this first: Important safety information” on page 1.

**CAUTION:**



The heat sink and microprocessor might be very hot. Before you open the computer cover, turn off the computer and wait several minutes until the computer is cool.

To remove or install the system board, do the following:

1. Prepare your computer. See “Preparing your computer and removing the computer cover” on page 95.
2. Lay the computer on its side for easier access to the system board.
3. Remove all memory modules and PCI cards that are currently installed. See “Memory module” on page 110 and “PCIe card” on page 98.
4. Record the cable routing and cable connections and then disconnect all cables from the system board. See “Parts on the system board” on page 39.
5. Remove the heat-sink-and-fan assembly. See “Heat-sink-and-fan assembly” on page 137.
6. Remove the rear fan assembly. See “Rear fan assembly” on page 147.
7. Remove the eight screws that secure the system board by following the sequence shown in the following illustration.

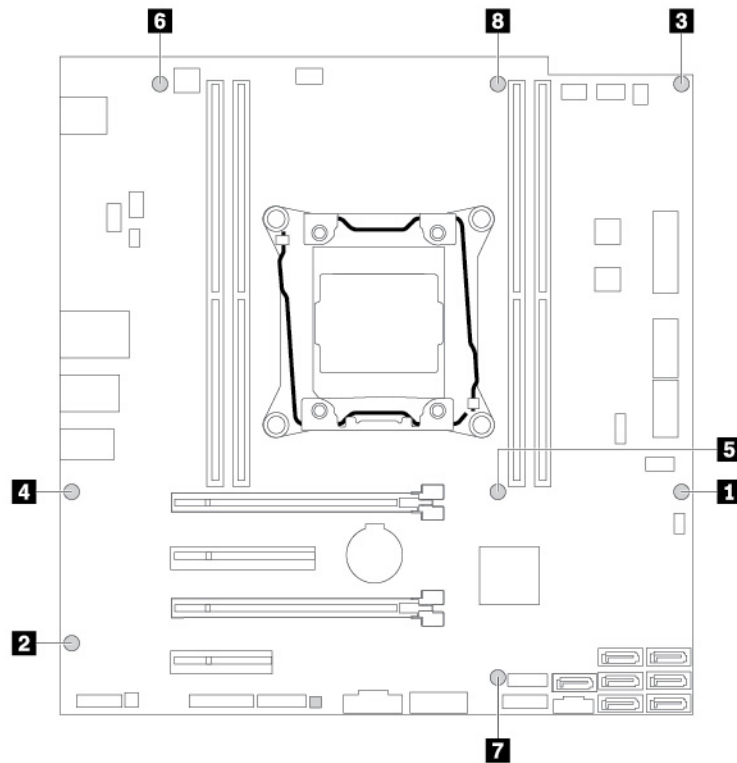


Figure 179. Removing the eight screws that secure the system board

8. Slide the system board to the front of the computer and then carefully lift the system board out of the chassis.
9. Remove the microprocessor from the failing system board and install it on the new system board. See “Microprocessor” on page 184.

10. Install the new system board into the chassis by aligning the eight screw holes in the new system board with the corresponding mounting studs on the chassis. Then, install the eight screws in the sequence as shown to secure the new system board.

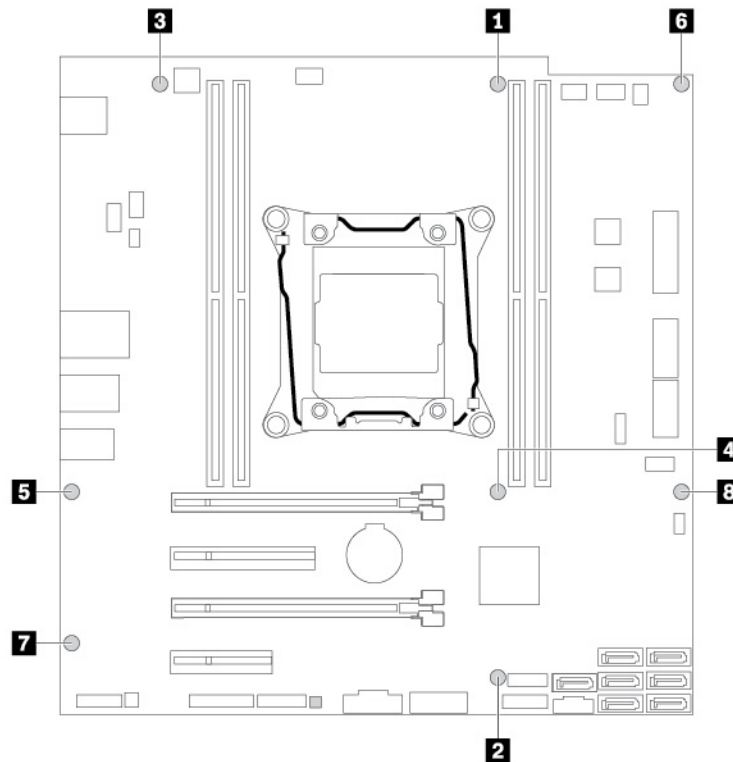


Figure 180. Installing the eight screws to secure the system board

11. Install the heat-sink-and-fan assembly and connect its cable to the new system board. See “Heat-sink-and-fan assembly” on page 137.
12. Install the rear fan assembly. See “Rear fan assembly” on page 147.
13. Install all memory modules and PCI cards removed from the failing system board onto the new system board. See “Memory module” on page 110 and “PCIe card” on page 98.
14. Refer to your record to connect cables to the new system board. You also can refer to “Parts on the system board” on page 39 to help you locate the connectors on the system board and connect cables.
15. To complete the installation or replacement, go to “Completing the parts replacement” on page 191.

The failing system board must be returned with a microprocessor socket cover to protect the pins during shipping and handling. Install the microprocessor socket covers removed from the new system board on the failing system board.

To install the microprocessor socket cover, do the following:

**Note:** Your microprocessor socket and cover might look slightly different from the illustration.

1. Pivot the microprocessor retainer downward to close the retainer.

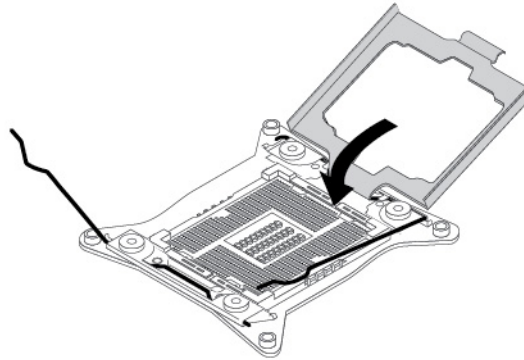


Figure 181. Closing the microprocessor retainer

2. Gently press down the small handle **2**, and then push the handle inward to secure it. Then gently press down the small handle **1** and push the handle inward to lock the microprocessor retainer into position.

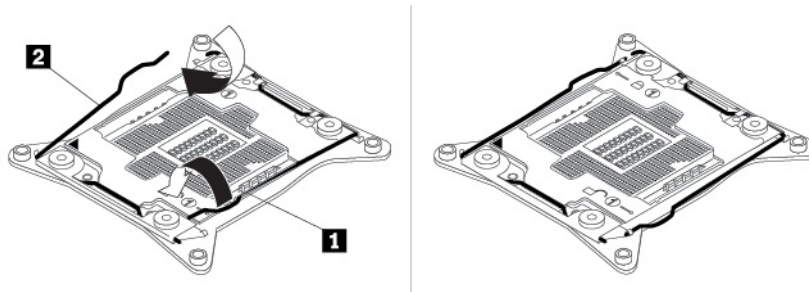


Figure 182. Securing the microprocessor in the socket

3. Position the microprocessor socket cover on the microprocessor socket as shown. Then, lower the socket cover straight down into the microprocessor socket on the system board.

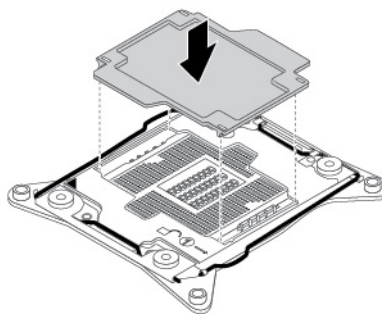


Figure 183. Installing the microprocessor socket cover

**What to do next:**

- To work with another piece of hardware, go to the appropriate section.
- To complete the installation or replacement, go to “Completing the parts replacement” on page 191.

---

## Completing the parts replacement

### CAUTION:



After replacing a CRU, reinstall all protective covers, including the computer cover, before connecting power and operating the computer. This action is important to help prevent unexpected electrical shock and help ensure the containment of an unexpected fire that could happen under extremely rare conditions.

After completing the installation or replacement for all parts, reinstall the computer cover and reconnect cables. Depending on the parts you installed or replaced, you might need to confirm the updated information in the Setup Utility program. Refer to “Using the Setup Utility program” on page 63.

To reinstall the computer cover and reconnect cables to your computer, do the following:

1. Ensure that all components have been reassembled correctly and that no tools or loose screws are left inside your computer. See “Computer components” on page 33 for the locations of various components in your computer.
2. Ensure that the cables are routed correctly before reinstalling the computer cover. Keep cables clear of the hinges and sides of the computer chassis to avoid interference with reinstalling the computer cover.
3. Position the computer cover on the chassis so that the rail guides on the bottom of the computer cover engage the rails on the chassis. Then, push the cover to the front of the computer until it snaps into position.

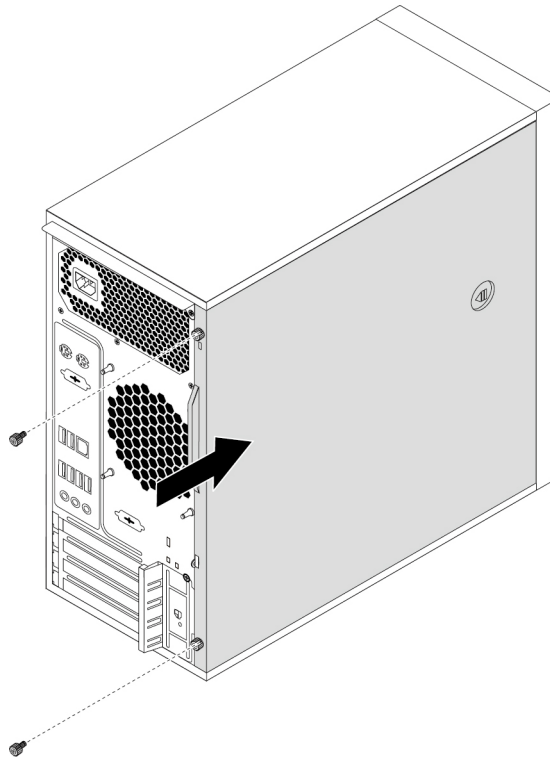


Figure 184. Reinstalling the computer cover

4. Install the screws to secure the computer cover.
5. Place the computer in an upright position.

6. If there is any locking device available, lock the computer cover. See “Preparing your computer and removing the computer cover” on page 95.
7. Reconnect the external cables and power cords to the corresponding connectors on the computer. See “Hardware locations” on page 29.
8. Update the configuration of your computer if necessary. See “Using the Setup Utility program” on page 63.
9. If a newly installed hardware component does not work correctly, update the device driver. See “Keeping your computer current” on page 58.



---

## Chapter 10. Getting information, help, and service

This chapter provides information about getting help and support from Lenovo.

---

### Information resources

You can use the information in this section to access useful resources relating to your computing needs.

### Accessing the user guide in various languages

To access the user guide in various languages, go to:

<https://support.lenovo.com>

### Windows help system

The Windows help system provides you with detailed information about using the Windows operating system.

**Note:** Using the help for Windows 10 requires an active Internet connection.

To access the Windows help system, do the following:

1. Type **Get Help** or **Tips** in the Windows search box and then press Enter.

### Safety and warranty

The *Safety, Warranty, and Setup Guide* provided with your computer contains important safety information, product warranty terms, initial setup procedure, and legal notices. Ensure that you read and understand all safety information in the *Safety, Warranty, and Setup Guide* before using your computer.

In addition, read and understand Chapter 1 “Read this first: Important safety information” on page 1 before using your computer. This preface provides additional safety information that applies to topics and tasks described in this *User Guide*.

### Lenovo Web site

The Lenovo Web site (<https://www.lenovo.com>) provides up-to-date information and services to help you buy, upgrade, and maintain your computer. You also can do the following:

- Shop for desktop and notebook computers, monitors, projectors, upgrades, and accessories for your computer, and special offers.
- Purchase additional services, such as support for hardware, operating systems, programs, network setup and configuration, and custom installations.
- Purchase upgrades and extended hardware repair services.
- Access troubleshooting and support information for your computer model and other supported products.
- Find a Service Provider located near you.

### Lenovo Support Web site

Technical support information is available on the Lenovo Support Web site at:

<https://support.lenovo.com>

This Web site is updated with the latest support information such as the following:

- Drivers and software
- Diagnostic solutions
- Product and service warranty
- Product and parts details
- User guides and manuals
- Knowledge base and frequently asked questions
- Lenovo Support phone numbers

## Frequently asked questions

For the answers to frequently asked questions about your computer, go to:  
<http://www.lenovo.com/support/faq>

---

## Help and service

This section provides information about obtaining help and service.

### Calling for service

During the warranty period, you can get help and information by telephone through the Customer Support Center. For the warranty period of your computer, go to <https://www.lenovo.com/warranty-status>. For a list of Lenovo Support phone numbers, go to <https://pcsupport.lenovo.com/supportphonenumberlist>.

**Note:** Phone numbers are subject to change without notice. If the number for your country or region is not provided, contact your Lenovo reseller or Lenovo marketing representative.

The following services are available during the warranty period:

- **Problem determination** - Trained service personnel are available to assist you with determining a hardware problem and deciding what action is necessary to fix the problem.
- **Hardware repair** - If the problem is caused by hardware under warranty, trained service personnel are available to provide the applicable level of service.
- **Engineering Change management** - There might be changes that are required after a product has been sold. Lenovo or your reseller will make selected Engineering Changes (ECs) that apply to your hardware available.

These items are not covered by the warranty:

- Replacement or use of parts not manufactured for or by Lenovo or non-warranted Lenovo parts
- Identification of software problem sources
- Configuration of BIOS as part of an installation or upgrade
- Changes, modifications, or upgrades to device drivers
- Installation and maintenance of network operating systems (NOS)
- Installation and maintenance of programs

If possible, be at your computer when you call. Have the following information available:

- Machine type and model
- Serial numbers of your hardware products
- Description of the problem
- Exact wording of any error messages
- Hardware and software configuration information

## Using other services

You might travel with your computer or relocate it to a country or region where the machine type for your desktop or notebook computer is sold. In such a situation, your computer might be eligible for International Warranty Service, which automatically entitles you to obtain warranty service throughout the warranty period. Service will be performed by service providers authorized to perform warranty service.

Service methods and procedures vary by country, and some services might not be available in all countries. International Warranty Service is delivered through the method of service (such as depot, carry-in, or on-site service) that is provided in the servicing country. Service centers in certain countries might not be able to service all models of a particular machine type. In some countries, fees and restrictions might apply at the time of service.

To determine whether your computer is eligible for International Warranty Service and to view a list of the countries or regions where service is available, go to <https://support.lenovo.com>.

For technical assistance with the installation of or questions related to Service Packs for your preinstalled Microsoft Windows product, go to <https://support.microsoft.com>. You also can contact the Lenovo Customer Support Center for help. Some fees might apply.

## Purchasing additional services

During and after the warranty period, you can purchase additional services. Examples of these additional services include:

- Support for hardware, operating systems, and programs
- Network setup and configuration services
- Upgraded or extended hardware repair services
- Custom installation services

Service availability and service name might vary by country or region. For more information about these services, go to the Lenovo Web site at: <https://www.lenovo.com>



---

## Appendix A. System memory speed

The Intel Xeon® microprocessor families compatible with this ThinkStation computer feature an integrated memory controller. The memory controller provides the microprocessor with direct access to the system memory. Therefore, the system memory speed will be determined by the memory module type, frequency, size (capacity), the number of memory modules installed, and the microprocessor model.

### Notes:

- The actual system memory speed of the memory modules varies depending on the microprocessor model. For example, your computer comes with 2666 MT/s memory modules, but microprocessor only supports up to 2400 MT/s memory modules. Then the system memory speed will be no faster than 2400 MT/s.
- The microprocessor models supported in your computer might vary. For a list of supported microprocessor models, contact the Lenovo Customer Support Center.



---

## Appendix B. Supplemental information about the Ubuntu operating system

In limited countries or regions, Lenovo offers customers an option to order computers with the preinstalled Ubuntu® operating system.

If the Ubuntu operating system is available on your computer, read the following information before you use the computer. Ignore any information related to Windows-based programs, utilities, and Lenovo preinstalled applications in this documentation.

### Accessing the Lenovo Limited Warranty

This product is covered by the terms of the Lenovo Limited Warranty (LLW), version L505-0010-02 08/2011. You can view the LLW in a number of languages from the following Web site. Read the Lenovo Limited Warranty at:

[https://www.lenovo.com/warranty/llw\\_02](https://www.lenovo.com/warranty/llw_02)

The LLW also is preinstalled on the computer. To access the LLW, go to the following directory:

```
/opt/Lenovo
```

If you cannot view the LLW either from the Web site or from your computer, contact your local Lenovo office or reseller to obtain a printed version of the LLW.

### Accessing the Ubuntu help system

The Ubuntu help system provides information about how to use the Ubuntu operating system. To access the help system from the Unity, move your pointer to the Launch bar, and then click the **Help** icon. If you cannot find the **Help** icon from the Launch bar, click the **Search** icon, and type Help to search it.

To learn more about the Ubuntu operating system, go to:

<https://www.ubuntu.com>

### Getting support information

If you need help, service, technical assistance, or more information about the Ubuntu operating system or other applications, contact the provider of the Ubuntu operating system or the provider of the application. If you need the service and support for hardware components shipped with your computer, contact Lenovo. For more information about how to contact Lenovo, refer to the *User Guide and Safety, Warranty, and Setup Guide*.

To access the latest *User Guide and Safety, Warranty, and Setup Guide*, go to:

<https://support.lenovo.com>





---

## Appendix C. Regulatory and TCO Certified information of countries and regions

The latest compliance information is available at:

<https://www.lenovo.com/compliance>

---

### Export classification notice

This product is subject to the United States Export Administration Regulations (EAR) and has an Export Classification Control Number (ECCN) of 5A992.c. It can be re-exported except to any of the embargoed countries in the EAR E1 country list.

---

### Electronic emissions notices

#### Federal Communications Commission Declaration of Conformity

The following information refers to Lenovo personal computer machine types 30BY, 30BX, and 30C0.

This equipment has been tested and found to comply with the limits for a Class B digital device, pursuant to Part 15 of the FCC Rules. These limits are designed to provide reasonable protection against harmful interference in a residential installation. This equipment generates, uses, and can radiate radio frequency energy and, if not installed and used in accordance with the instructions, may cause harmful interference to radio communications. However, there is no guarantee that interference will not occur in a particular installation. If this equipment does cause harmful interference to radio or television reception, which can be determined by turning the equipment off and on, the user is encouraged to try to correct the interference by one or more of the following measures:

- Reorient or relocate the receiving antenna.
- Increase the separation between the equipment and receiver.
- Connect the equipment into an outlet on a circuit different from that to which the receiver is connected.
- Consult an authorized dealer or service representative for help.

Lenovo is not responsible for any radio or television interference caused by using other than specified or recommended cables and connectors or by unauthorized changes or modifications to this equipment. Unauthorized changes or modifications could void the user's authority to operate the equipment.

This device complies with Part 15 of the FCC Rules. Operation is subject to the following two conditions: (1) this device may not cause harmful interference, and (2) this device must accept any interference received, including interference that may cause undesired operation.

Responsible Party:

Lenovo (United States) Incorporated

1009 Think Place - Building One

Morrisville, NC 27560

Phone Number: 919-294-5900



#### Industry Canada Class B emission compliance statement

CAN ICES-3(B)/NMB-3(B)

## European Union (EU) / United Kingdom (UK) – Radio Equipment Compliance



EU Contact: Lenovo (Slovakia), Landererova 12, 811 09 Bratislava, Slovakia



UK contact: Lenovo, Redwood, Crockford Lane, Basingstoke, RG24 8WQ, UK.

This product is in conformity with all the requirements and essential norms that apply to EU Council Radio Equipment Directive 2014/53/EU on the approximation of the laws of the Member States, as well as the UK Radio Equipment Regulations SI 2017 No. 1206, relating to radio equipment.

The full text of the system EU declaration of conformity is available at:

<https://www.lenovo.com/us/en/compliance/eu-doc>

The full text of the system UK declaration of conformity is available at:

<https://www.lenovo.com/us/en/compliance/uk-doc>

Lenovo cannot accept responsibility for any failure to satisfy the protection requirements resulting from a non-recommended modification of the product, including the installation of option cards from other manufacturers. This product has been tested and found to comply with the limits for Class B equipment according to European and UK compliance standards. The limits for Class B equipment were derived for typical residential environments to provide reasonable protection against interference with certified communication devices.

## European Union (EU) / United Kingdom (UK) – Electromagnetic Compatibility Compliance

This product is in conformity with the protection requirements of EU Council Directive 2014/30/EU on the approximation of the laws of the Member States, as well as UK SI 2016 No. 1091 with amendments, relating to the electromagnetic compatibility limits for Class B equipment. These Class B requirements are intended to offer adequate protection to broadcast services within residential environments.

### German Class B compliance statement

*Deutschsprachiger EU Hinweis:*

*Hinweis für Geräte der Klasse B EU-Richtlinie zur Elektromagnetischen Verträglichkeit*

Dieses Produkt entspricht den Schutzanforderungen der EU-Richtlinie 2014/30/EU zur Angleichung der Rechtsvorschriften über die elektromagnetische Verträglichkeit in den EU-Mitgliedsstaaten und hält die Grenzwerte der Klasse B der Norm gemäß Richtlinie.

Um dieses sicherzustellen, sind die Geräte wie in den Handbüchern beschrieben zu installieren und zu betreiben. Des Weiteren dürfen auch nur von der Lenovo empfohlene Kabel angeschlossen werden. Lenovo übernimmt keine Verantwortung für die Einhaltung der Schutzanforderungen, wenn das Produkt ohne Zustimmung der Lenovo verändert bzw. wenn Erweiterungskomponenten von Fremdherstellern ohne Empfehlung der Lenovo gesteckt/eingebaut werden.

*Deutschland:*

*Einhaltung des Gesetzes über die elektromagnetische Verträglichkeit von Betriebsmitteln*

Dieses Produkt entspricht dem „Gesetz über die elektromagnetische Verträglichkeit von Betriebsmitteln“ EMVG (früher „Gesetz über die elektromagnetische Verträglichkeit von Geräten“). Dies ist die Umsetzung der EMV EU-Richtlinie 2014/30/EU in der Bundesrepublik Deutschland.

*Zulassungsbescheinigung laut dem Deutschen Gesetz über die elektromagnetische Verträglichkeit von Betriebsmitteln, EMVG vom 20. Juli 2007 (früher Gesetz über die elektromagnetische Verträglichkeit von Geräten), bzw. der EMV EU Richtlinie 2014/30/EU, für Geräte der Klasse B.*

Dieses Gerät ist berechtigt, in Übereinstimmung mit dem Deutschen EMVG das EG-Konformitätszeichen - CE - zu führen. Verantwortlich für die Konformitätserklärung nach Paragraf 5 des EMVG ist die Lenovo (Deutschland) GmbH, Meitnerstr. 9, D-70563 Stuttgart.

Informationen in Hinsicht EMVG Paragraf 4 Abs. (1) 4:

*Das Gerät erfüllt die Schutzanforderungen nach EN 55024 und EN 55032 Klasse B.*

#### **Korean wireless-radio compliance information**

|  |
|--|
| 무선설비 전파 혼신 (사용주파수 2400 ~ 2483.5, 5725 ~ 5825<br>무선제품 해당) |
| 해당 무선설비가 전파 혼신 가능성이 있으므로 인명 안전과 관련된<br>서비스는 할 수 없음       |

#### **Japan VCCI Class B compliance statement**

この装置は、クラスB情報技術装置です。この装置は家庭環境で使用することを目的としていますが、この装置がラジオやテレビジョン受信機に近接して使用されると、受信障害を引き起こすことがあります。取扱書に従って正しい取り扱いをして下さい。

VCCI-B

#### **Japan compliance statement for products which connect to the power mains with rated current less than or equal to 20 A per phase**

日本の定格電流が 20A/相 以下の機器に対する高調波電流規制  
高調波電流規格 JIS C 61000-3-2 適合品

#### **Japan notice for ac power cord**

The ac power cord shipped with your product can be used only for this specific product. Do not use the ac power cord for other devices.

本製品およびオプションに電源コード・セットが付属する場合は、それぞれ専用のもになっていますので他の電気機器には使用しないでください。

#### **Lenovo product service information for Taiwan**

委製商/進口商名稱: 荷蘭商聯想股份有限公司台灣分公司  
進口商地址: 台北市中山區樂群三路128號16樓  
進口商電話: 0800-000-702 (代表號)

#### **Keyboard and mouse compliance statement for Taiwan**

本產品隨貨附已取得經濟部標準檢驗局認可之PS/2或USB的鍵盤與滑鼠一組

---

## **Eurasian compliance mark**



---

## Brazil audio notice

Ouvir sons com mais de 85 decibéis por longos períodos pode provocar danos ao sistema auditivo.

---

## Mexico wireless-radio compliance information

**Advertencia:** En Mexico la operación de este equipo está sujeta a las siguientes dos condiciones: (1) es posible que este equipo o dispositivo no cause interferencia perjudicial y (2) este equipo o dispositivo debe aceptar cualquier interferencia, incluyendo la que pueda causar su operación no deseada.

---

## Additional regulatory information

For additional regulatory information, refer to the *Regulatory Notice* shipped with your computer. Depending on the configuration of your computer and the country or region where the computer was purchased, you might have received additional printed regulatory notices. All regulatory notices are available on the Lenovo Support Web site in electronic format. To access electronic copies of the documentation, go to <https://support.lenovo.com>.

---

## Appendix D. WEEE and recycling information of countries and regions

Lenovo encourages owners of information technology (IT) equipment to responsibly recycle their equipment when it is no longer needed. Lenovo offers various programs and services to assist equipment owners in recycling their IT products. The latest environmental information is available at:

<https://www.lenovo.com/ecodeclaration>

---

### Important battery recycling and WEEE information

Take back and recycling information for WEEE and batteries/accumulators in the European Union and the United Kingdom



The crossed-out wheeled bin marking applies only to countries with WEEE and batteries waste regulations including the European Union (EU), and United Kingdom (UK).

Appliances and batteries/accumulators are labeled in accordance with local regulations concerning waste electrical and electronic equipment (WEEE) and waste batteries and waste accumulators. These regulations determine the framework for the return and recycling of used appliances and used batteries/accumulators as applicable within each geography. This label is applied to various products to indicate that the product is not to be thrown away, but rather put in the established collection systems for reclaiming these end of life products.

The label on the battery may also include a chemical symbol for the metal concerned in the battery (Pb for lead, Hg for mercury, and Cd for cadmium).

Users of electrical and electronic equipment (EEE) and users of batteries/accumulators with the crossed-out wheeled bin marking must not dispose of end of life products as unsorted municipal waste, but use the collection framework available to them for the return, recycle, and recovery of WEEE and waste batteries/accumulators and to minimize any potential effects of EEE and batteries on the environment and human health due to the presence of hazardous substances.

Lenovo electrical and electronic equipment (EEE) may contain parts and components, which at end-of-life might qualify as hazardous waste.

EEE and waste electrical and electronic equipment (WEEE) can be delivered free of charge to the place of sale or any distributor that sells electrical and electronic equipment of the same nature and function as the used EEE or WEEE.

Before placing electrical and electronic equipment (EEE) in the waste collection stream or in waste collection facilities, the end user of equipment containing batteries and/or accumulators must remove those batteries and accumulators for separate collection.

Dispose of lithium batteries and battery packs from Lenovo products:

A coin-cell type lithium battery might be installed inside your Lenovo product. You can find details about the battery in the product documentation. If the battery needs to be replaced, contact your place of purchase or

contact Lenovo for service. If you need to dispose of a lithium battery, insulate it with vinyl tape, contact your place of purchase or a waste-disposal operator, and follow their instructions.

Your Lenovo device might contain a lithium-ion battery pack or a nickel metal hydride battery pack. You can find details on the battery pack in the product documentation. If you need to dispose of a battery pack, insulate it with vinyl tape, contact Lenovo sales, service, or your place of purchase, or a waste-disposal operator, and follow their instructions. You also can refer to the instructions provided in the user guide for your product.

For proper collection and treatment, go to:

<https://www.lenovo.com/environment>

For additional WEEE information, go to:

<https://www.lenovo.com/recycling>

### **WEEE information for Hungary**

Lenovo, as a producer, bears the cost incurred in connection with the fulfillment of Lenovo's obligations under Hungary Law No. 197/2014 (VIII.1.) subsections (1)-(5) of section 12.

---

## **EU ErP (EcoDesign) Directive (2009/125/EC) - external power adapters (Regulation (EU) 2019/1782), Ecodesign for Energy-Related Products Regulations 2010 - UK SI 2010 No. 2617 (Ext PSU), SI 2020 No. 485 (Ntwk Standby), SI 2014 No. 1290 as amended**

Lenovo products are compliant with the EU EcoDesign (ErP) Directive and UK EcoDesign for Energy-related Products Regulations. Refer to the following for details. For EU, refer to the system declaration <https://www.lenovo.com/us/en/compliance/eu-doc>, and for UK refer to the system declaration <https://www.lenovo.com/us/en/compliance/uk-doc>.

---

## **Recycling information for Japan**

### **Collecting and recycling a disused Lenovo computer or monitor**

If you are a company employee and need to dispose of a Lenovo computer or monitor that is the property of the company, you must do so in accordance with the Law for Promotion of Effective Utilization of Resources. Computers and monitors are categorized as industrial waste and should be properly disposed of by an industrial waste disposal contractor certified by a local government. In accordance with the Law for Promotion of Effective Utilization of Resources, Lenovo Japan provides, through its PC Collecting and Recycling Services, for the collecting, reuse, and recycling of disused computers and monitors. For details, visit the Lenovo Web site at <https://www.lenovo.com/recycling/japan>. Pursuant to the Law for Promotion of Effective Utilization of Resources, the collecting and recycling of home-used computers and monitors by the manufacturer was begun on October 1, 2003. This service is provided free of charge for home-used computers sold after October 1, 2003. For details, visit the Lenovo Web site at <https://www.lenovo.com/recycling/japan>.

### **Disposing of Lenovo computer components**

Some Lenovo computer products sold in Japan may have components that contain heavy metals or other environmental sensitive substances. To properly dispose of disused components, such as a printed circuit board or drive, use the methods described above for collecting and recycling a disused computer or monitor.

## Disposing of disused lithium batteries from Lenovo computers

A button-shaped lithium battery is installed inside your Lenovo computer to provide power to the computer clock while the computer is off or disconnected from the main power source. If you need to replace it with a new one, contact your place of purchase or contact Lenovo for service. If you need to dispose of a disused lithium battery, insulate it with vinyl tape, contact your place of purchase or an industrial-waste-disposal operator, and follow their instructions. Disposal of a lithium battery must comply with local ordinances and regulations.

---

## Recycling information for Brazil

*Declarações de Reciclagem no Brasil*

*Descarte de um Produto Lenovo Fora de Uso*

Equipamentos elétricos e eletrônicos não devem ser descartados em lixo comum, mas enviados à pontos de coleta, autorizados pelo fabricante do produto para que sejam encaminhados e processados por empresas especializadas no manuseio de resíduos industriais, devidamente certificadas pelos órgãos ambientais, de acordo com a legislação local.

A Lenovo possui um canal específico para auxiliá-lo no descarte desses produtos. Caso você possua um produto Lenovo em situação de descarte, ligue para o nosso SAC ou encaminhe um e-mail para: [reciclar@lenovo.com](mailto:reciclar@lenovo.com), informando o modelo, número de série e cidade, a fim de enviarmos as instruções para o correto descarte do seu produto Lenovo.

---

## Battery recycling information for Taiwan



廢電池請回收





---

## Appendix E. Restriction of Hazardous Substances (RoHS) Directive of countries and regions

The latest environmental information about Lenovo products is available at:

<https://www.lenovo.com/ecodeclaration>

### European Union (EU) / United Kingdom (UK) RoHS

This Lenovo product, with included parts (cables, cords, and so on) meets the requirements of EU Directive 2011/65/EU (as amended by Directive 2015/863/EU) and UK SI 2012 No. 3032 on the restriction of the use of certain hazardous substances in electrical and electronic equipment ("RoHS recast" or "RoHS 2").

For more information about Lenovo worldwide compliance on RoHS, go to:

<https://www.lenovo.com/rohs-communication>

### Turkish RoHS

The Lenovo product meets the requirements of the Republic of Turkey Directive on the Restriction of the Use of Certain Hazardous Substances in Waste Electrical and Electronic Equipment (WEEE).

### Turkish WEEE/RoHS

#### Türkiye AEEE yönetmeliğine Uygunluk Beyanı

Bu Lenovo ürünü, T.C. Çevre ve Şehircilik Bakanlığı'nın "Atık Elektrikli ve Elektronik Eşyaların Kontrolü Yönetmeliğine (AEEE)" uygundur.

AEEE yönetmeliğine Uygundur.

### Ukraine RoHS

Цим підтверджуємо, що продукція Леново відповідає вимогам нормативних актів України, які обмежують вміст небезпечних речовин

### India RoHS

RoHS compliant as per E-Waste (Management) Rules.

## Mainland China RoHS

### 产品中有害物质的名称及含量

| 部件名称     | 有害物质  |       |       |                 |               |                 |
|----------|-------|-------|-------|-----------------|---------------|-----------------|
|          | 铅(Pb) | 汞(Hg) | 镉(Cd) | 六价铬<br>(Cr(VI)) | 多溴联苯<br>(PBB) | 多溴二苯醚<br>(PBDE) |
| 印刷电路板组件* | X     | ○     | ○     | ○               | ○             | ○               |
| 硬盘       | X     | ○     | ○     | ○               | ○             | ○               |
| 光驱       | X     | ○     | ○     | ○               | ○             | ○               |
| 内存       | X     | ○     | ○     | ○               | ○             | ○               |
| 电脑I/O 附件 | X     | ○     | ○     | ○               | ○             | ○               |
| 电源       | X     | ○     | ○     | ○               | ○             | ○               |
| 键盘       | X     | ○     | ○     | ○               | ○             | ○               |
| 鼠标       | X     | ○     | ○     | ○               | ○             | ○               |
| 机箱/附件    | X     | ○     | ○     | ○               | ○             | ○               |
| 电池       | X     | ○     | ○     | ○               | ○             | ○               |

本表格依据 SJ/T 11364 的规定编制。  
 ○：表示该有害物质在该部件所有均质材料中的含量均在 GB/T 26572 规定的限量要求以下。  
 ×：表示该有害物质至少在该部件的某一均质材料中的含量超出 GB/T 26572 规定的限量要求。  
 注：表中标记“×”的部件，皆因全球技术发展水平限制而无法实现有害物质的替代。  
 印刷电路板组件\*：包括印刷电路板及其零部件、电容和连接器  
 根据型号的不同，可能不会含有以上的所有部件，请以实际购买机型为准



在中华人民共和国境内销售的电子信息产品必须标识此标志，标志内的数字代表在正常使用状态下的产品的环保使用期限

## Taiwan RoHS

| 單元      | 限用物質及其化學符號 |           |           |                            |               |                 |
|---------|------------|-----------|-----------|----------------------------|---------------|-----------------|
|         | 鉛<br>(Pb)  | 汞<br>(Hg) | 鎘<br>(Cd) | 六價鉻<br>(Cr <sup>+6</sup> ) | 多溴聯苯<br>(PBB) | 多溴二苯醚<br>(PBDE) |
| 印刷電路板組件 | —          | ○         | ○         | ○                          | ○             | ○               |
| 硬碟      | —          | ○         | ○         | ○                          | ○             | ○               |
| 光碟機     | —          | ○         | ○         | ○                          | ○             | ○               |
| 記憶體     | —          | ○         | ○         | ○                          | ○             | ○               |
| 電腦I/O配件 | —          | ○         | ○         | ○                          | ○             | ○               |
| 電源供應器   | —          | ○         | ○         | ○                          | ○             | ○               |
| 鍵盤      | —          | ○         | ○         | ○                          | ○             | ○               |
| 滑鼠      | —          | ○         | ○         | ○                          | ○             | ○               |
| 機殼/配件   | —          | ○         | ○         | ○                          | ○             | ○               |

備考1. “超出0.1 wt %”及“超出0.01 wt %”係指限用物質之百分比含量超出百分比含量基準值。  
 備考2. “○”係指該項限用物質之百分比含量未超出百分比含量基準值。  
 備考3. “—”係指該項限用物質為排除項目。

---

## Appendix F. ENERGY STAR model information



ENERGY STAR® is a joint program of the U.S. Environmental Protection Agency and the U.S. Department of Energy aimed at saving money and protecting the environment through energy efficient products and practices.

Lenovo is proud to offer our customers products with an ENERGY STAR compliant designation. Some models of the following machine types have been designed and tested to conform to the ENERGY STAR program requirement for computers at the time of manufacture: 30BE0009US and 30BE0008US. For more information about ENERGY STAR ratings for Lenovo computers, go to:

<http://www.lenovo.com>

By using ENERGY STAR compliant products and taking advantage of the power-management features of your computer, you reduce the consumption of electricity. Reduced electrical consumption contributes to potential financial savings, a cleaner environment, and the reduction of greenhouse gas emissions.

For more information about ENERGY STAR, go to:

<http://www.energystar.gov>

Lenovo encourages you to make efficient use of energy an integral part of your day-to-day operations. To help in this endeavor, set the following power-management features to take effect when your computer has been inactive for a specified duration:

*Table 1. Default power plan (when plugged into ac power)*

- |  |
|--|
| <ul style="list-style-type: none"><li>• Turn off the display: After 10 minutes</li><li>• Put the computer to sleep: After 25 minutes</li></ul> |
|--|

To awaken your computer from a Sleep mode, press any key on your keyboard.

To change power settings, do the following:

1. Type **Control Panel** in the Windows search box and then press Enter. View by large icons or small icons.
2. Click **Power Options** and then follow the instructions on the screen.



---

## Appendix G. Notices

Lenovo may not offer the products, services, or features discussed in this document in all countries. Consult your local Lenovo representative for information on the products and services currently available in your area. Any reference to a Lenovo product, program, or service is not intended to state or imply that only that Lenovo product, program, or service may be used. Any functionally equivalent product, program, or service that does not infringe any Lenovo intellectual property right may be used instead. However, it is the user's responsibility to evaluate and verify the operation of any other product, program, or service.

Lenovo may have patents or pending patent applications covering subject matter described in this document. The furnishing of this document does not give you any license to these patents. You can send license inquiries, in writing, to:

*Lenovo (United States), Inc.  
8001 Development Drive  
Morrisville, NC 27560  
U.S.A.  
Attention: Lenovo Director of Licensing*

LENOVO PROVIDES THIS PUBLICATION "AS IS" WITHOUT WARRANTY OF ANY KIND, EITHER EXPRESS OR IMPLIED, INCLUDING, BUT NOT LIMITED TO, THE IMPLIED WARRANTIES OF NON-INFRINGEMENT, MERCHANTABILITY OR FITNESS FOR A PARTICULAR PURPOSE. Some jurisdictions do not allow disclaimer of express or implied warranties in certain transactions, therefore, this statement may not apply to you.

This information could include technical inaccuracies or typographical errors. Changes are periodically made to the information herein; these changes will be incorporated in new editions of the publication. Lenovo may make improvements and/or changes in the products and/or the programs described in this publication at any time without notice.

The products described in this document are not intended for use in implantation or other life support applications where malfunction may result in injury or death to persons. The information contained in this document does not affect or change Lenovo product specifications or warranties. Nothing in this document shall operate as an express or implied license or indemnity under the intellectual property rights of Lenovo or third parties. All information contained in this document was obtained in specific environments and is presented as an illustration. The result obtained in other operating environments may vary.

Lenovo may use or distribute any of the information you supply in any way it believes appropriate without incurring any obligation to you.

Any references in this publication to non-Lenovo Web sites are provided for convenience only and do not in any manner serve as an endorsement of those Web sites. The materials at those Web sites are not part of the materials for this Lenovo product, and use of those Web sites is at your own risk.

Any performance data contained herein was determined in a controlled environment. Therefore, the result obtained in other operating environments may vary significantly. Some measurements may have been made on development-level systems and there is no guarantee that these measurements will be the same on generally available systems. Furthermore, some measurements may have been estimated through extrapolation. Actual results may vary. Users of this document should verify the applicable data for their specific environment.



---

## **Appendix H. Trademarks**

LENOVO, LENOVO logo, THINKSTATION, and THINKSTATION logo are trademarks of Lenovo.

Microsoft, Windows, and Windows Media are trademarks of the Microsoft group of companies.

Intel, Thunderbolt, and Xeon are trademarks of Intel Corporation in the U.S. and/or other countries.

Linux is a registered trademark of Linus Torvalds.

DisplayPort and Mini DisplayPort are trademarks of the Video Electronics Standards Association.

Ubuntu is a registered trademark of Canonical Ltd.

All other trademarks are the property of their respective owners. © 2021 Lenovo.







**Lenovo**