



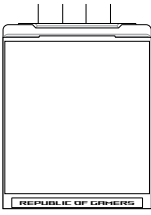
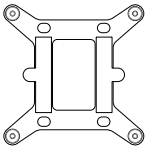
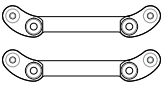
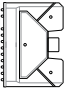
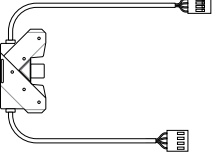
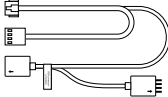



# ROG STRIX SLC IV 360 ARGB LCD CPU LIQUID COOLER



# Contents

Package contents .....	3
About this guide .....	4
Installing AIO cooler to Intel motherboards .....	5
Using the cable plug.....	5
Connecting the fan extension cable when using AIO cooler with cable plug .....	10
Installing AIO cooler to AMD motherboards .....	13
Using the cable plug.....	13
Connecting the fan extension cable when using AIO cooler with cable plug .....	18
Using the ASUS AIO Q-Connector plug .....	21
Installing the radiator .....	26
(optional) Removing the pre-installed fan .....	27
Download control software .....	28
Product register .....	28

# Package contents

<p><b>A</b></p>  <p>1 x ROG STRIX SLC IV 360 ARGB LCD CPU COOLER (Intel Mounting Bracket pre-installed)</p>	<p><b>B</b></p>  <p>1 x Intel Backplate</p>	<p><b>C</b></p>  <p>1 x AMD AM4/AM5 Compatible Mounting Bracket</p>
<p><b>D</b></p>  <p>1 x ASUS AIO Q-Connector Plug</p>	<p><b>E</b></p>  <p>1 x Cable Plug (Pre-installed on cooler pump)</p>	<p><b>F</b></p>  <p>1 x Fan Extension Cable</p>
<p><b>G</b></p>  <p>12 x 5mm UNC 6-32 Radiator Screws</p>	<p><b>H</b></p>  <p>4 x Intel Plastic Collars</p>	<p><b>I</b></p>  <p>1 x Accessory (The accessory is magnetic and can be attached to a metal chassis or any magnetic surface)</p>

# About this guide

This user guide contains the information you need when installing the AIO cooler to your motherboard using different configurations.

## Where to find more information

Refer to the following sources for additional information and for product and software updates.

### 1. **ASUS website**

The ASUS website ([www.asus.com](http://www.asus.com)) provides updated information on ASUS hardware and software products.

### 2. **Optional documentation**

Your product package may include optional documentation, such as warranty flyers, that may have been added by your dealer. These documents are not part of the standard package.

### 3. **ASUS AIO Q-connector supported motherboard list**

The ASUS AIO Q-Connector feature is supported on selected ASUS motherboards, scan below for the list of supported motherboards:



# Installing AIO cooler to Intel motherboards

This section goes through the installation of the AIO cooler to Intel motherboards. The AIO cooler with cable plug can be installed to motherboards with or without the ASUS AIO Q-Connector feature.

---

**NOTE:** The illustrations in this section are for reference only, but the installation steps remain the same.

---

## Using the cable plug

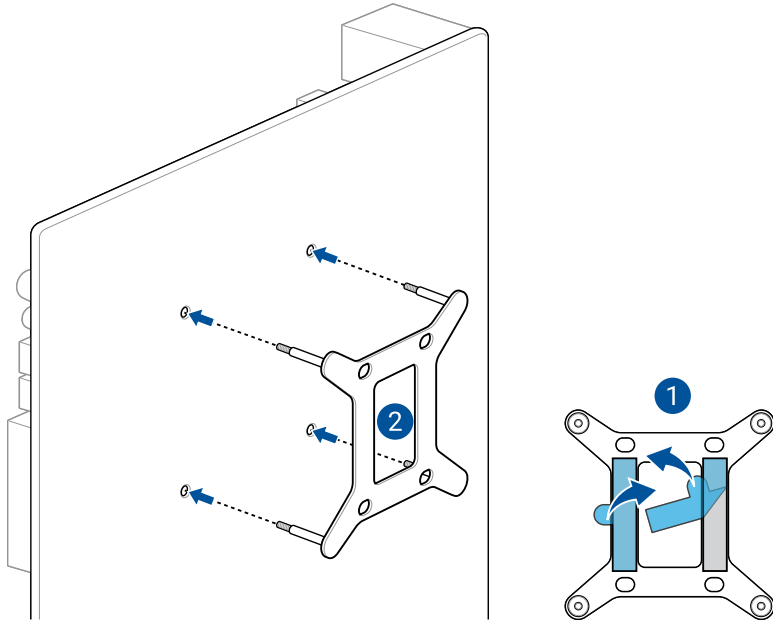
To install the AIO cooler pump with cable plug to an Intel platform motherboard, please follow the steps below:

---

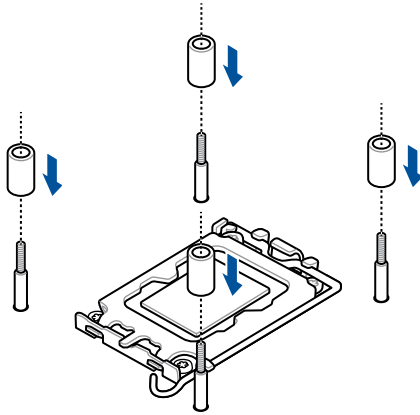
**NOTE:** The cable plug comes pre-installed to your AIO cooler pump.

---

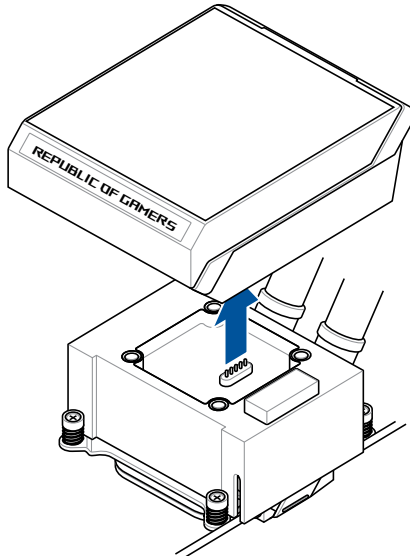
1. Remove the plastic films from the thermal pads on the Intel backplate.
2. Align and insert the Intel backplate to the backplate holes on the bottom of the motherboard.



3. On the top side of the motherboard, install the plastic collars to the protruding standoffs of the Intel backplate.



4. Lift and remove the LCD module from the AIO cooler pump.



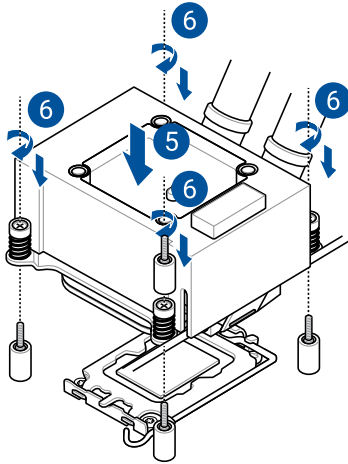
5. Align and place the AIO cooler pump on top of the CPU socket, making sure the spring screws of the AIO cooler pump are aligned to the standoffs.

---

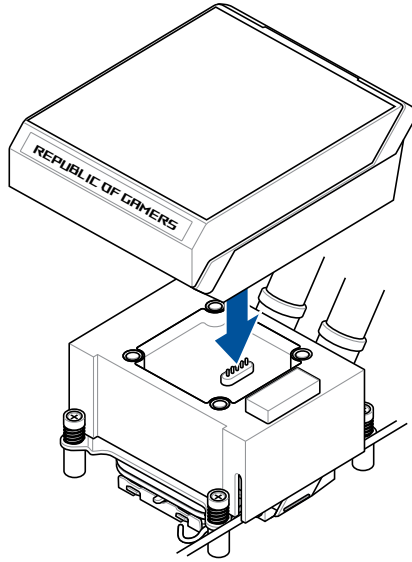
**NOTE:** We recommend installing the pump so that the water pipes of the pump face away from you (12 o' clock) for optimal performance (motherboard positioned with rear IO ports on your left).

---

6. Tighten the AIO cooler pump spring screws to secure the AIO cooler pump to the motherboard.



7. Replace the LCD module, make sure the connector and the tab on the AIO cooler pump is aligned to the connector and notch on the bottom of the LCD module.

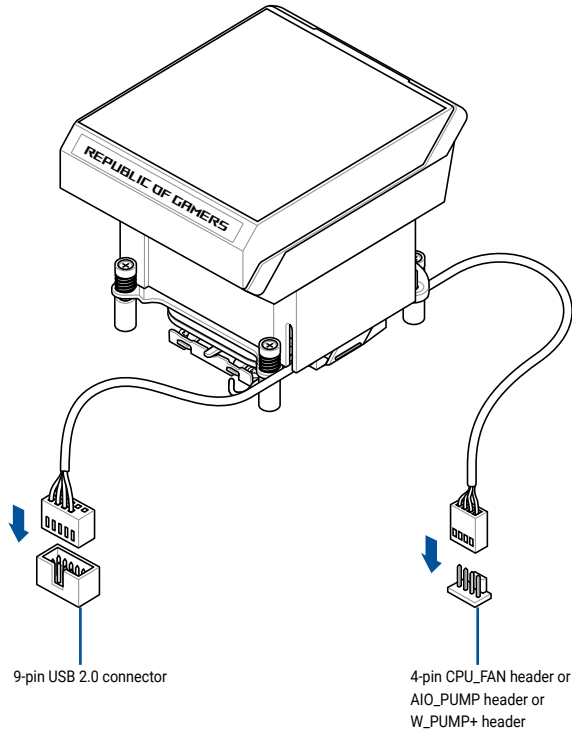


8. Connect the 9-pin USB cable of the cable plug to the 9-pin USB 2.0 header on the motherboard, then connect the fan cable of the cable plug to the 4-pin fan header on the motherboard.

---

**NOTE:** The AIO\_PUMP and W\_PUMP+ headers are set to operate at full speed (PWM 100%) and will cause the pump to operate louder.

---



## Connecting the fan extension cable when using AIO cooler with cable plug

The bundled fan extension cable can be connected to the connector on the left of the pre-installed fan or to the cable on the right of the pre-installed fan when using the AIO cooler with cable plug.

---

### NOTE:

- Install the fan extension cable when using a motherboard without the ASUS AIO Q-connector feature and using the pre-installed cable plug.
- The fan extension cable can only be connected to the pre-installed fan, if you are using your own set of fan(s), please connect those fans to the motherboard using the cables bundled with your fan set package.

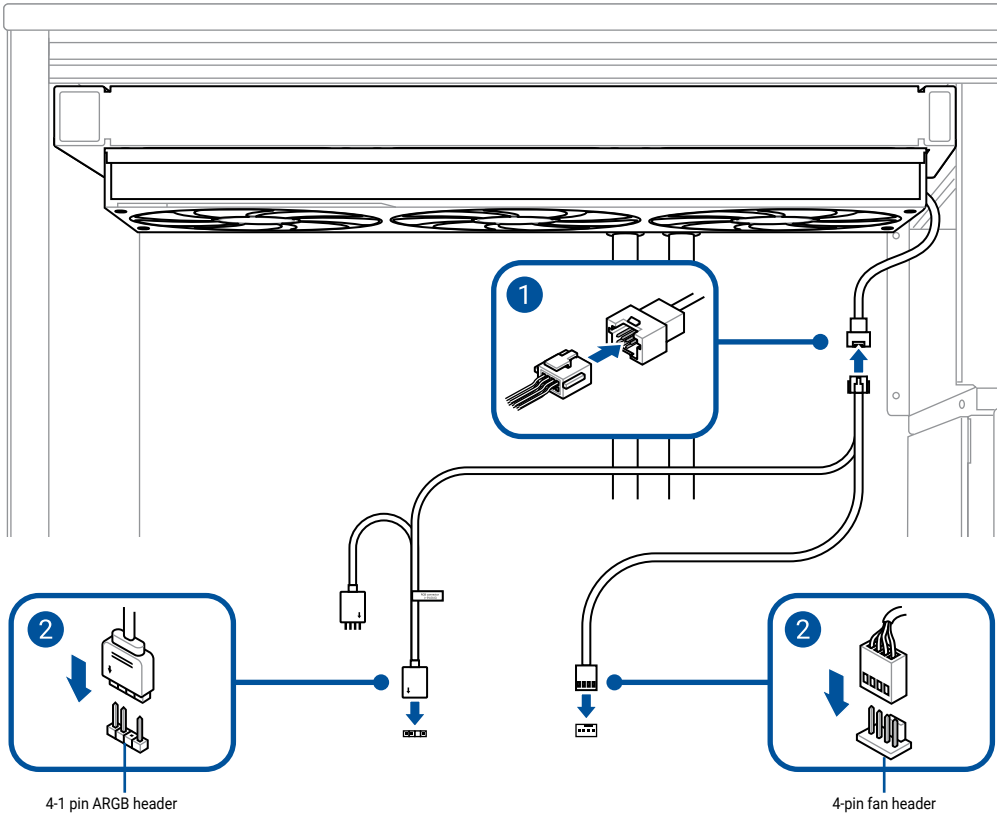
---

**CAUTION!** Do not use the fan extension cable if you are using the AIO cooler with ASUS AIO Q-Connector plug and a motherboard with the ASUS AIO Q-connector feature. Doing so may cause errors.

---

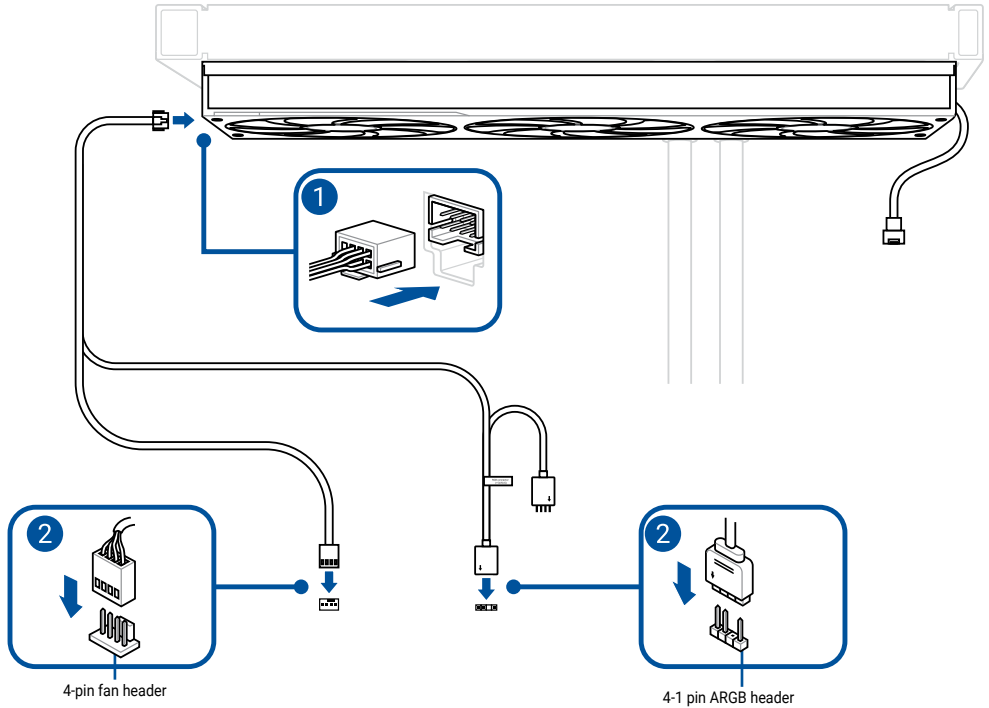
**To connect the fan extension cable to the cable on the right of the pre-installed fan:**

1. Connect the fan extension cable to the cable on the right of the pre-installed fan.
2. Connect the fan connector of the fan extension cable to the fan connector on the motherboard, then connect the ARGB connector of the fan extension cable to the ARGB connector on the motherboard.



**To connect the fan extension cable to the connector on the left of the pre-installed fan:**

1. Connect the fan extension cable to the connector on the left of the pre-installed fan.
2. Connect the fan connector of the fan extension cable to the fan connector on the motherboard, then connect the ARGB connector of the fan extension cable to the ARGB connector on the motherboard.



# Installing AIO cooler to AMD motherboards

This section goes through the installation of the AIO cooler to AMD motherboards. The AIO cooler with cable plug can be installed to motherboards with or without the ASUS AIO Q-Connector feature, and the AIO cooler with ASUS AIO Q-Connector plug can only be installed to motherboards with the ASUS AIO Q-Connector feature.

---

**NOTE:** The illustrations in this section are for reference only, but the installation steps remain the same.

---

## Using the cable plug

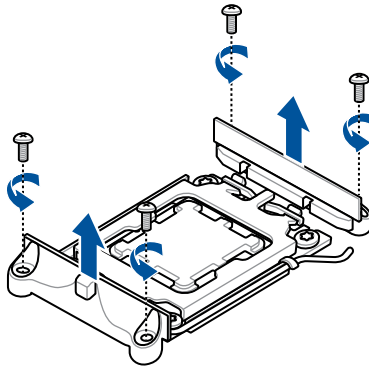
To install the AIO cooler with cable plug to an AMD platform motherboard, please follow the steps below:

---

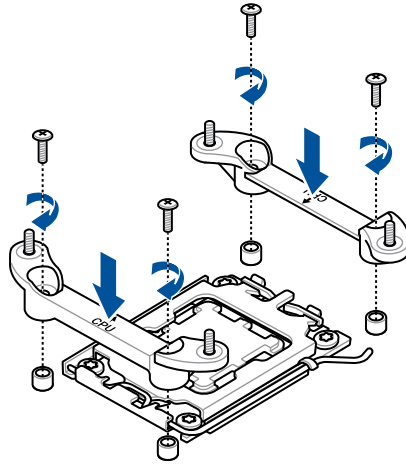
**NOTE:** The cable plug comes pre-installed to your AIO cooler.

---

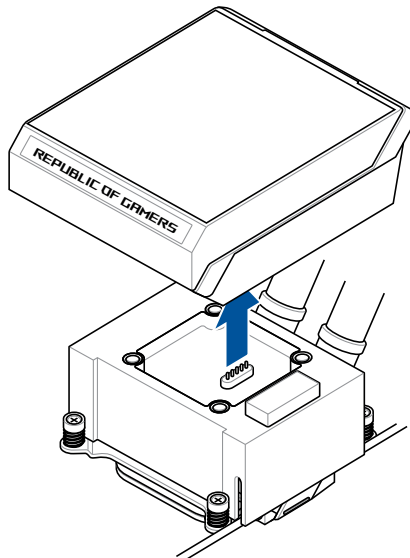
1. Remove the pre-installed heatsink mount on the motherboard.



2. Install the AMD mounting bracket.



3. Lift and remove the LCD module from the AIO cooler pump.



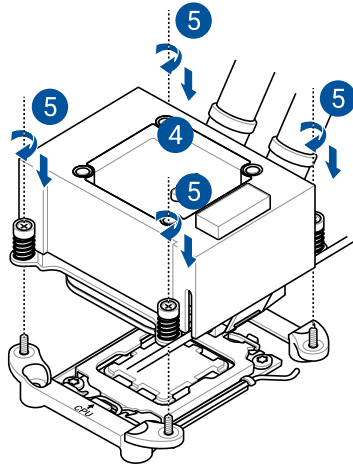
4. Align and place the AIO cooler pump on top of the CPU socket, making sure the spring screws of the AIO cooler pump are aligned to the standoffs.

---

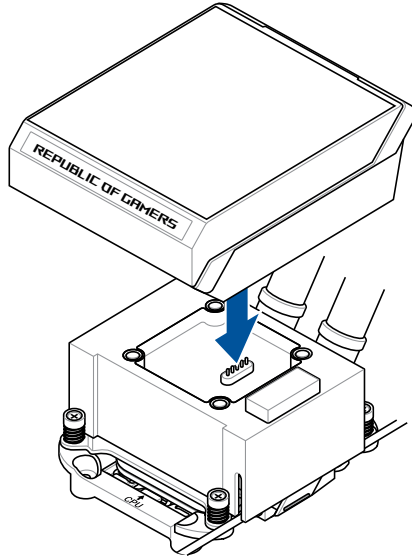
**NOTE:** We recommend installing the pump so that the water pipes of the pump face away from you (12 o' clock) for optimal performance (motherboard positioned with rear IO ports on your left).

---

5. Tighten the AIO cooler pump spring screws to secure the AIO cooler pump to the motherboard.



6. Replace the LCD module, make sure the connector and the tab on the AIO cooler pump is aligned to the connector and notch on the bottom of the LCD module.

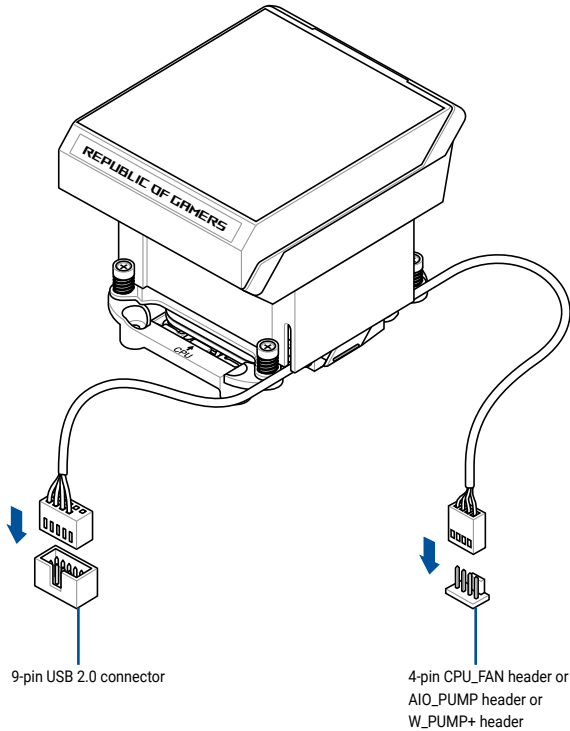


7. Connect the 9-pin USB cable of the cable plug to the 9-pin USB 2.0 header on the motherboard, then connect the fan cable of the cable plug to the 4-pin fan header on the motherboard.

---

**NOTE:** The AIO\_PUMP and W\_PUMP+ headers are set to operate at full speed (PWM 100%) and will cause the pump to operate louder.

---



## Connecting the fan extension cable when using AIO cooler with cable plug

The bundled fan extension cable can be connected to the connector on the left of the pre-installed fan or to the cable on the right of the pre-installed fan when using the AIO cooler with cable plug.

---

### NOTE:

- Install the fan extension cable when using a motherboard without the ASUS AIO Q-connector feature and using the pre-installed cable plug.
- The fan extension cable can only be connected to the pre-installed fan, if you are using your own set of fan(s), please connect those fans to the motherboard using the cables bundled with your fan set package.

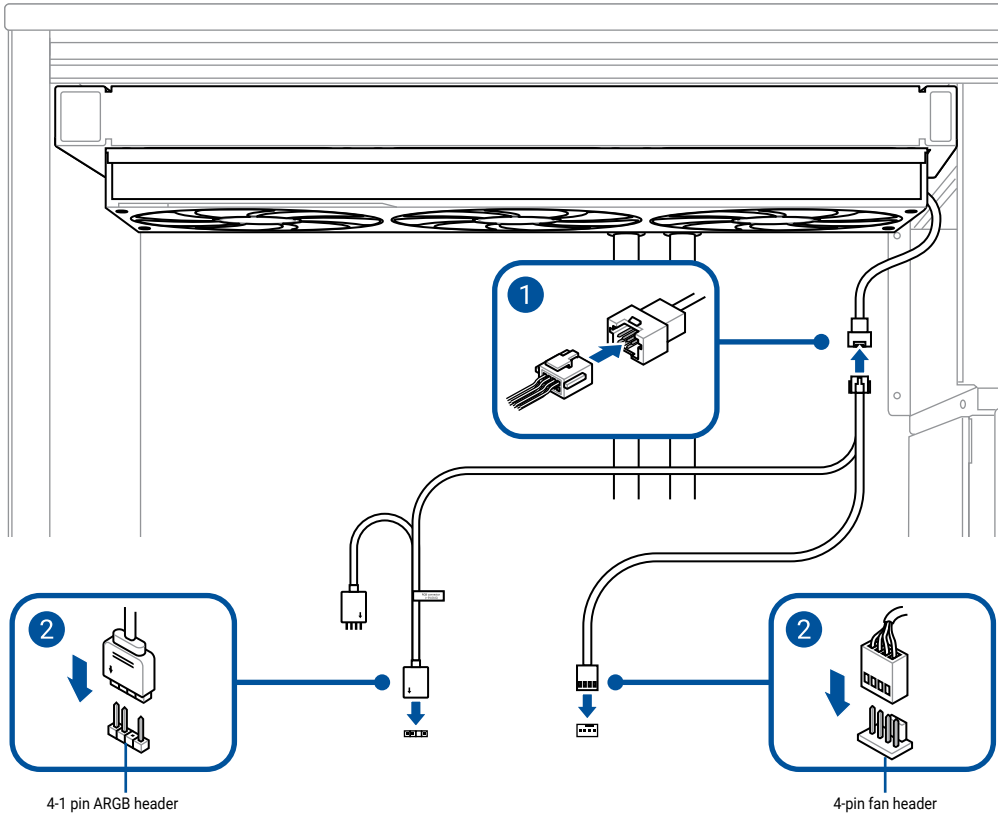
---

**CAUTION!** Do not use the fan extension cable if you are using the AIO cooler with ASUS AIO Q-Connector plug and a motherboard with the ASUS AIO Q-connector feature. Doing so may cause errors.

---

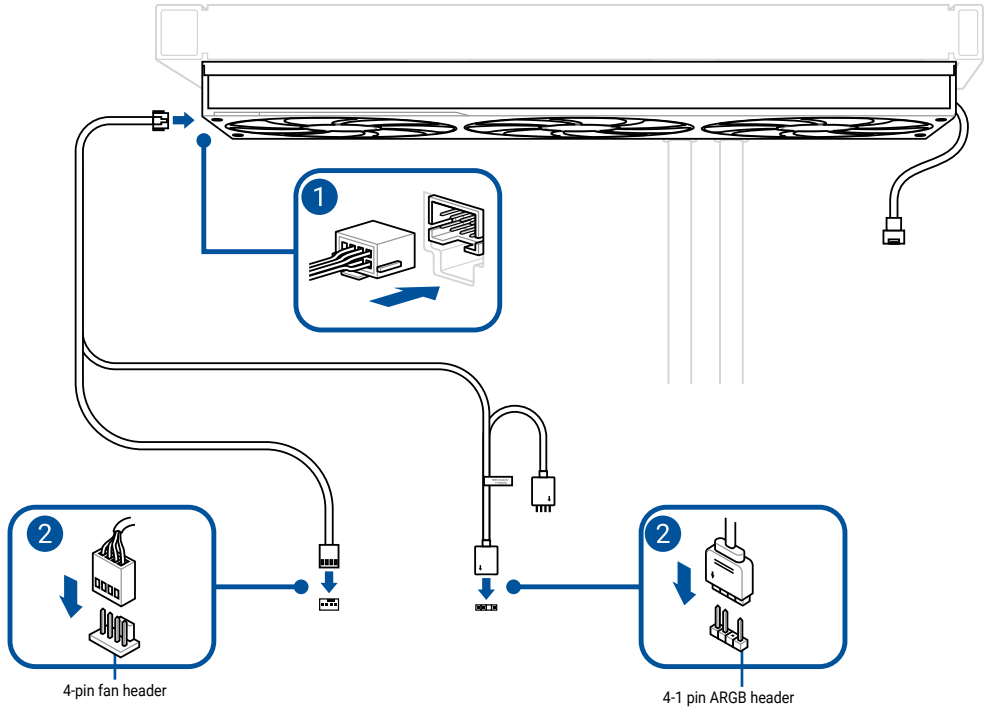
**To connect the fan extension cable to the cable on the right of the pre-installed fan:**

1. Connect the fan extension cable to the cable on the right of the pre-installed fan.
2. Connect the fan connector of the fan extension cable to the fan connector on the motherboard, then connect the ARGB connector of the fan extension cable to the ARGB connector on the motherboard.



**To connect the fan extension cable to the connector on the left of the pre-installed fan:**

1. Connect the fan extension cable to the connector on the left of the pre-installed fan.
2. Connect the fan connector of the fan extension cable to the fan connector on the motherboard, then connect the ARGB connector of the fan extension cable to the ARGB connector on the motherboard.



## Using the ASUS AIO Q-Connector plug

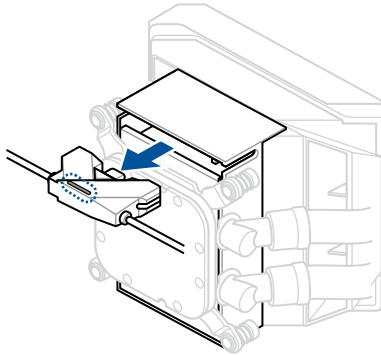
To install the AIO cooler pump with ASUS AIO Q-Connector plug to an AMD platform motherboard, please follow the steps below:

1. Remove the pre-installed cable plug from the AIO cooler pump.

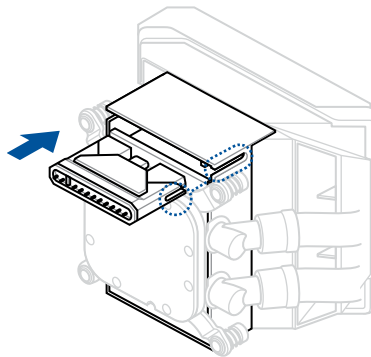
---

**NOTE:** There is a protruding tab on the pre-installed cable plug you can use to assist in removing the pre-installed cable plug.

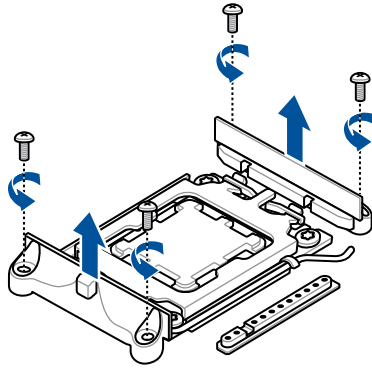
---



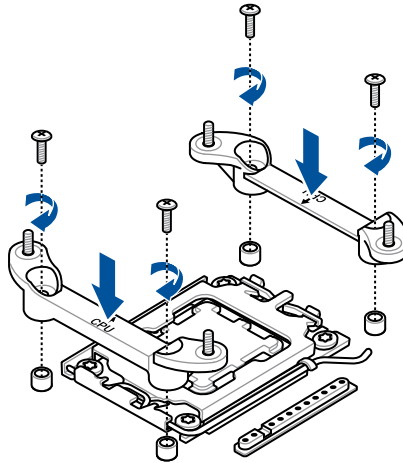
2. Install the ASUS AIO Q-Connector plug to the AIO cooler pump, a click can be heard when the ASUS AIO Q-Connector plug is properly installed.



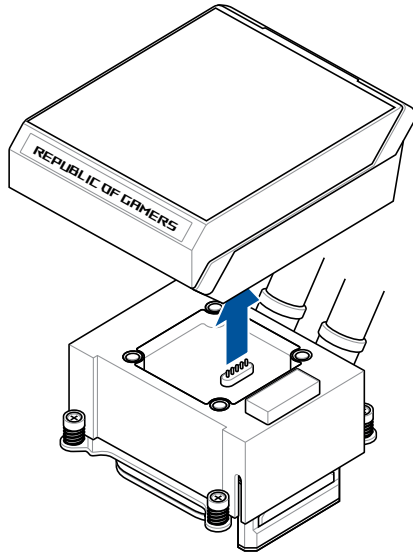
3. Remove the pre-installed heatsink mount on the motherboard.



4. Install the AMD mounting bracket.



5. Lift and remove the LCD module from the AIO cooler pump.



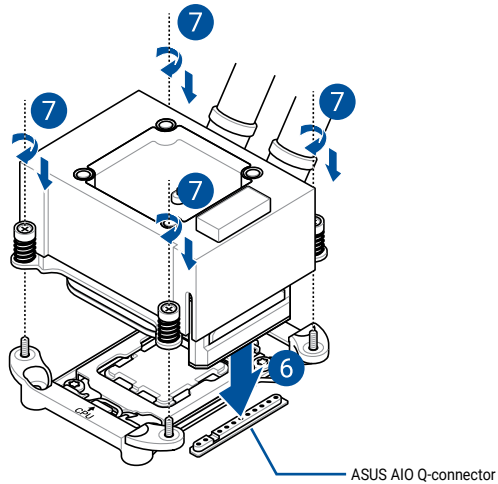
6. Align and place the AIO cooler pump on top of the CPU socket and ASUS AIO Q-connector, making sure the spring screws of the AIO cooler pump are aligned to the standoffs.

---

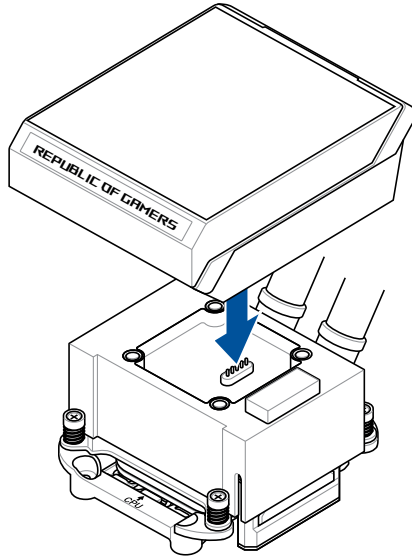
**NOTE:** We recommend installing the pump so that the water pipes of the pump face away from you (12 o' clock) for optimal performance (motherboard positioned with rear IO ports on your left).

---

7. Tighten the AIO cooler pump spring screws to secure the AIO cooler pump to the motherboard.

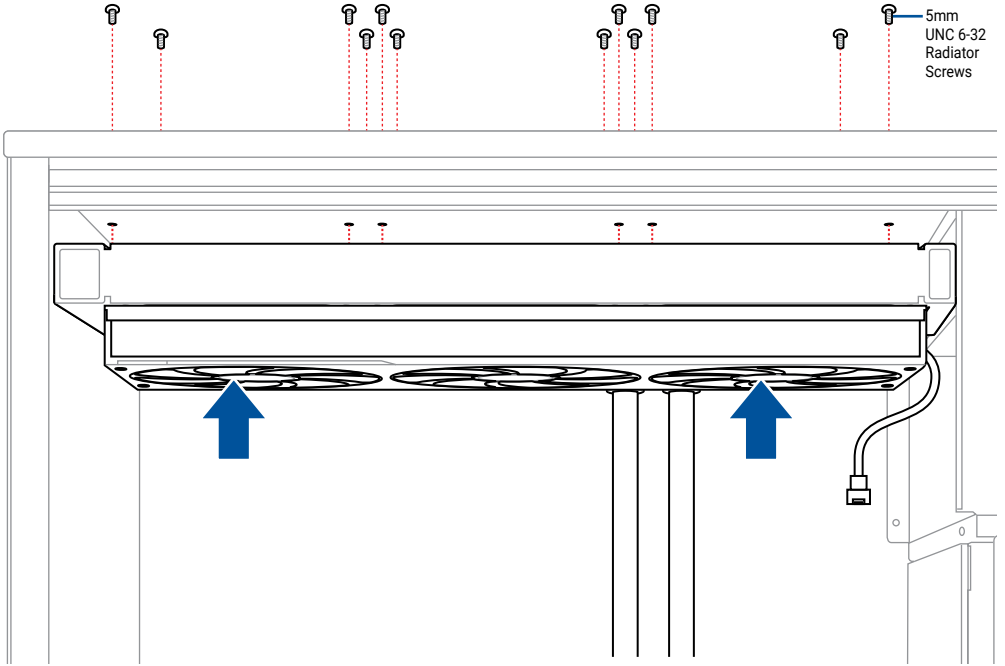


8. Replace the LCD module, make sure the connector and the tab on the AIO cooler pump is aligned to the connector and notch on the bottom of the LCD module.



# Installing the radiator

Align and secure the radiator to the system chassis using the bundled 5mm UNC 6-32 Radiator Screws.



## (optional) Removing the pre-installed fan

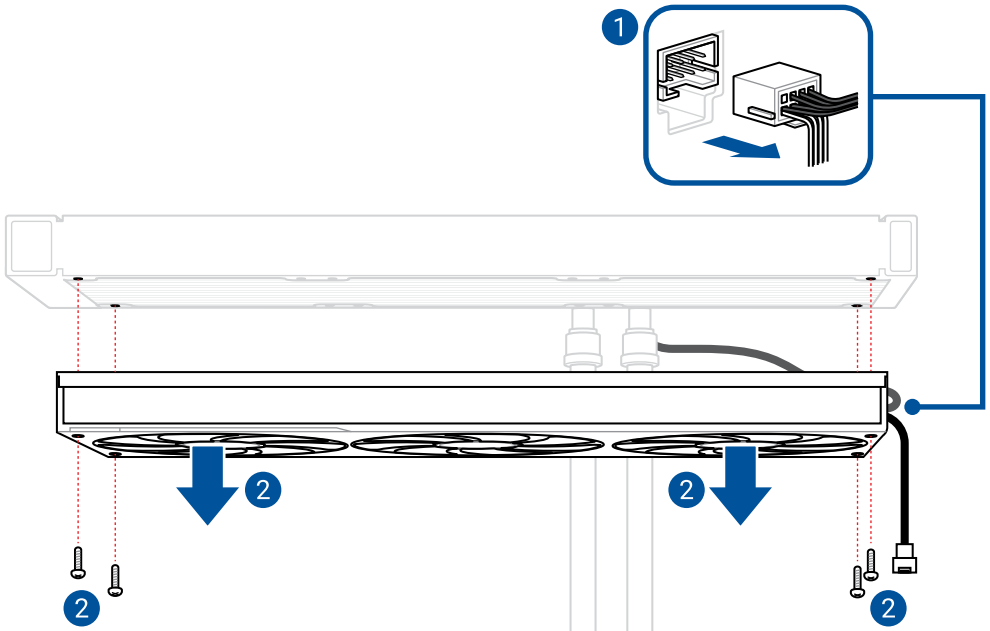
The pre-installed fan on the radiator can be removed if you wish to install your own set of fans.

**NOTE:** The fan extension cable can only be connected to the pre-installed fan, if you are using your own set of fan(s), please connect those fans to the motherboard using the cables bundled with your fan set package.

1. Disconnect the cable from the pre-installed fan.

**NOTE:** There will be a cable dangling from near the piping, please ignore the cable if you are installing your own set of fans.

2. Remove the four (4) screws securing the pre-installed fan, then remove the pre-installed fan.



## Download control software

Please visit the product support page at <https://rog.asus.com/> to download and install the control software.

## Product register

Log in and register your device for better product support.

